

# TOOL BOX TONNO

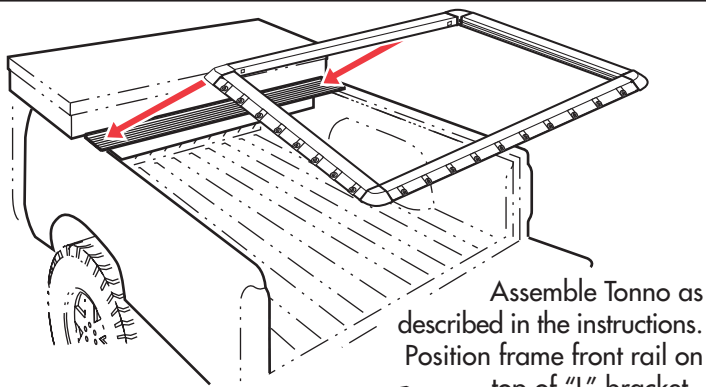
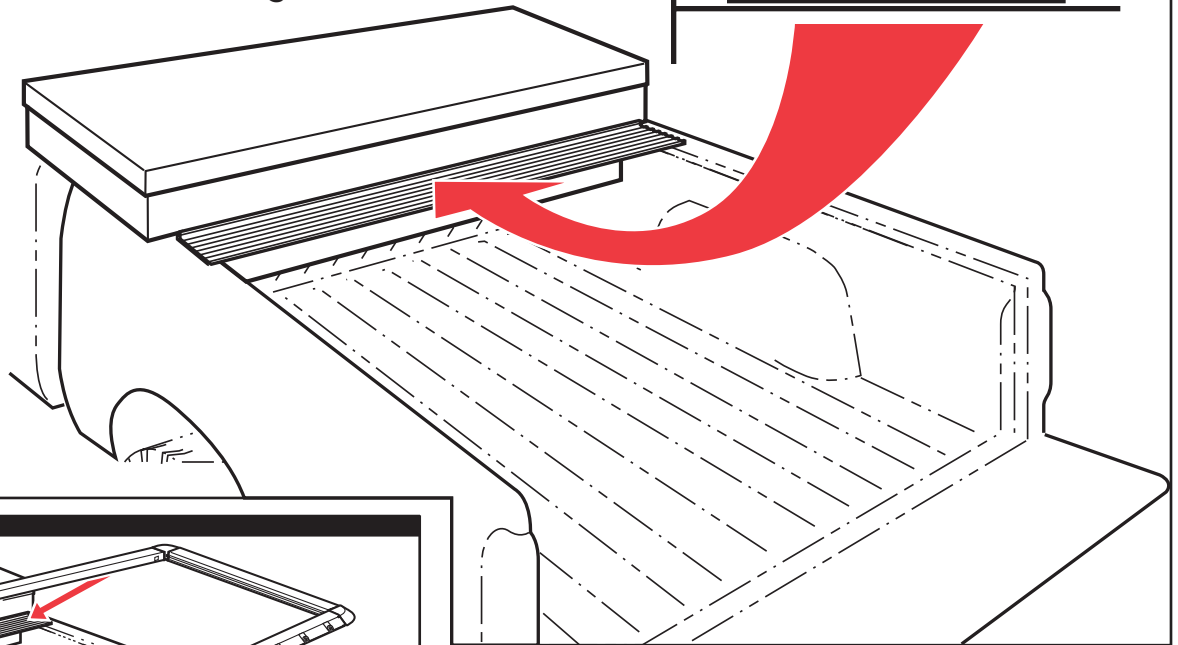
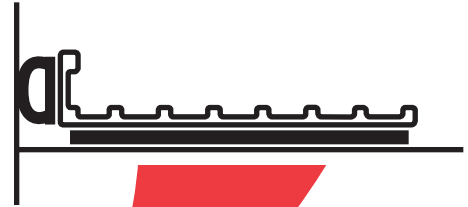
SPECIAL ORDER

SUPPLEMENT to INSTALLATION INSTRUCTIONS

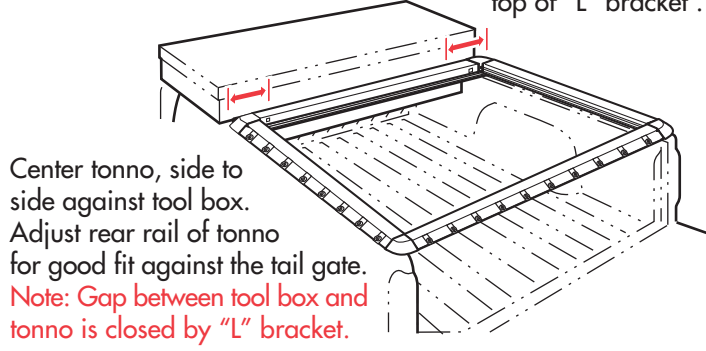
**NOTE:** These instructions are for adding a tonno to an existing truck tool box installation. They are supplemental to steps in the regular installation instructions included with your tonno.

You may wish to fasten the "L" bracket permanently to your tool box using bolts and screws.

Place L bracket against tool box with foam seal between the bottom of the L and truck bed.

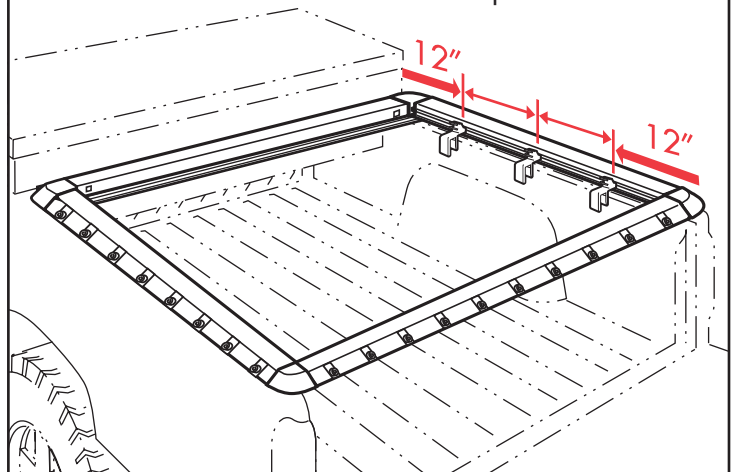


Assemble Tonno as described in the instructions. Position frame front rail on top of "L" bracket.



Center tonno, side to side against tool box. Adjust rear rail of tonno for good fit against the tail gate.  
**Note:** Gap between tool box and tonno is closed by "L" bracket.

Place clamps 12" from each end. Center the middle clamp between the other two. Tighten clamps and install bows and tonno per the install sheet.



**extang**  
AMERICA'S BEST  
SELLING TONNEAUS

Extang Corporation  
1901 E. Ellsworth Rd.  
Ann Arbor, MI 48108  
734 677-0444, Fax: 734 677-8409

Register your warranty at:

**www.extang.com**

Item No. 0123 RH-0708 Printed in U.S.A.