

2017 VAN ACCESSORIES



BUYERS' GUIDE

RANGERTM
DESIGN

Helping Mobile Technicians Work More Effectively by Providing Organized Storage Solutions

At Ranger Design, we believe more is possible.

We believe work vehicles and the technicians that drive them can become more organized, more efficient, more productive and more profitable. At Ranger Design we're committed to bringing you the products and services that make that possible.

More means helping you choose the right work van for your

application, as well as giving you engineering support and expert advice to help design the most efficient work space in your new vehicle.

More also means getting that new van outfitted and on the road faster, so you can start using it for the reason you bought it.

We're committed to bringing you more, because we believe more is possible.



MORE IS POSSIBLE



INSTALL TIMES

Install time is estimated based on the average time taken by an experienced Ranger Design installer.

UPDATED DATA

At the moment of publication, the data included in this directory was up-to-date.

Any corrections, modifications and discontinued product occurring after publication date are reflected in our Buyers' Guide available on our website.

The digital version of all our catalogs is always updated as modifications occur during the year.

TABLE OF CONTENTS

CHOOSE A PRODUCT LINE P. 4
 HOW TO BUY P. 6
 GETTING STARTED P. 8
 PLAN YOUR VAN OUTFIT – LAYOUT GUIDES P. 10
 ACCESSORIES P. 22

Choose A Product Line To Match Your Needs

Ranger Fleetline and Proline product groups ensure that fleets of any size have the best equipment to fit their budget, trade or fuel saving targets.



Ranger Fleetline shown



Ranger Proline shown

	MATERIAL	BENEFITS	PRODUCTS	WARRANTY
<p>WHY BUY RANGER FLEETLINE? You want better quality and price than other steel products on the market.</p>	Steel	Tough Low cost Quiet	Shelving, Partitions, Drawers, Accessories	3 years*
<p>WHY BUY RANGER PROLINE? You want the toughest, quietest product on the market. You need to optimize payload without sacrificing quality.</p>	Aluminum	Toughest Lightweight Quiet	Shelving, Partitions, Drawers, Accessories, Ladder Racks	10 years*

*Ranger Design Inc. van equipment is warranted to be free from defects in material and workmanship under normal use and service for the period indicated, from the date of the original retail purchase, when installed per Ranger Design instructions in the original vehicle. Please contact Customer Service for full warranty details. Email: cs@rangerdesign.com

Throughout the catalog **FLEETLINE** products are depicted with yellow and **PROLINE** products with black.

1-800-565-5321
7 A.M. – 8 P.M. EST

World Class Customer Service



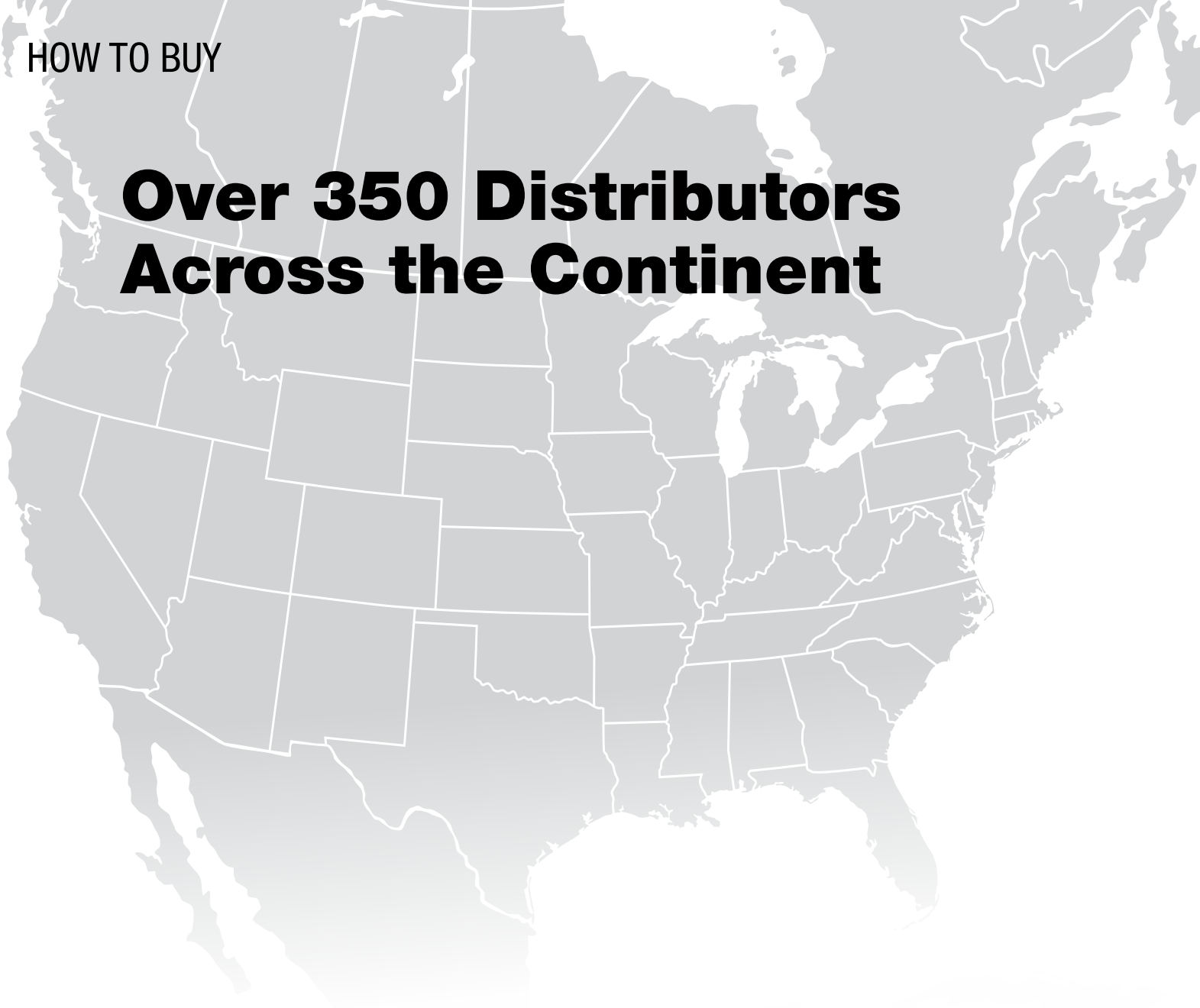
Real people, ready to answer in 2 rings or less*

We are pleased to offer efficient, personalized service and to answer all questions regarding:

- › Pricing/Quoting
- › Product install
- › Order status
- › Consultation
- › Shipment status
- › New product availability
- › Product specifications
- › Warranty claims
- › Returns/Restocking
- › Vehicle specifications

*Call customer service and the phone will be answered in 2 rings or less. Yes, a real, live person working in one of our offices in North America is available to answer your questions. No automated attendant. No complicated phone tree and offshore service. Call us to experience the difference.

Over 350 Distributors Across the Continent



Regular Order

Quickship Order

Buy

Contact one of our 350 distributors
rangerdesign.com/find-dealer.

Ranger Quickship service is available
through your local distributor.

**Lead
Time**

Orders ship from our factory within
5 business days.

Orders placed with Ranger before 1PM EST will
ship from our factory in the next business day.



Throughout the catalog products and packages with this symbol
can be ordered through our Quickship service.

Turn-Key Fleet Services



Ship Through or Local Installation Across North America for all Types of Cargo Vans

We are pleased to offer efficient, personalized service and to answer all questions regarding:

1. Analysis

- › Cargo Needs Analysis
- › Custom 3D CAD Layouts
- › Hands-on Equipment Demo

2. Testing

- › Test Fitting
- › Pilot Build and Review
- › Optimize Package Based on Technician Feedback

3. Delivery

- › Delivery, Production and Installation Planning and Scheduling
- › Vehicle Status Tracking

4. Service

- › Dedicated Fleet Account Management Team
- › 300 Ranger Distributor Service Support Network
- › Live Customer Service

Take a few minutes to write down these simple steps

Plan your storage zones

For how long do you plan to use the vehicle? A year 2–5 years 10 years or more (see page 4)

Will payload capacity be an issue? Yes No Why? _____

What type of industry are you in? _____

What kind of partition do I need? (F zone)

Do I need to see my cargo or see out the side doors? Yes No

Do I need the ability to go from the cabin to the cargo area through the partition? Yes No

List the equipment/products you will need to store

Place the items that you need most often in the most accessible locations.

	How often will you use this?			Zone
	Daily	Weekly	Monthly	
_____	<input type="checkbox"/>	<input type="checkbox"/>	<input type="checkbox"/>	A-B-C-D-E
_____	<input type="checkbox"/>	<input type="checkbox"/>	<input type="checkbox"/>	_____
_____	<input type="checkbox"/>	<input type="checkbox"/>	<input type="checkbox"/>	_____
_____	<input type="checkbox"/>	<input type="checkbox"/>	<input type="checkbox"/>	_____
_____	<input type="checkbox"/>	<input type="checkbox"/>	<input type="checkbox"/>	_____

Will I need to carry larger objects Yes No

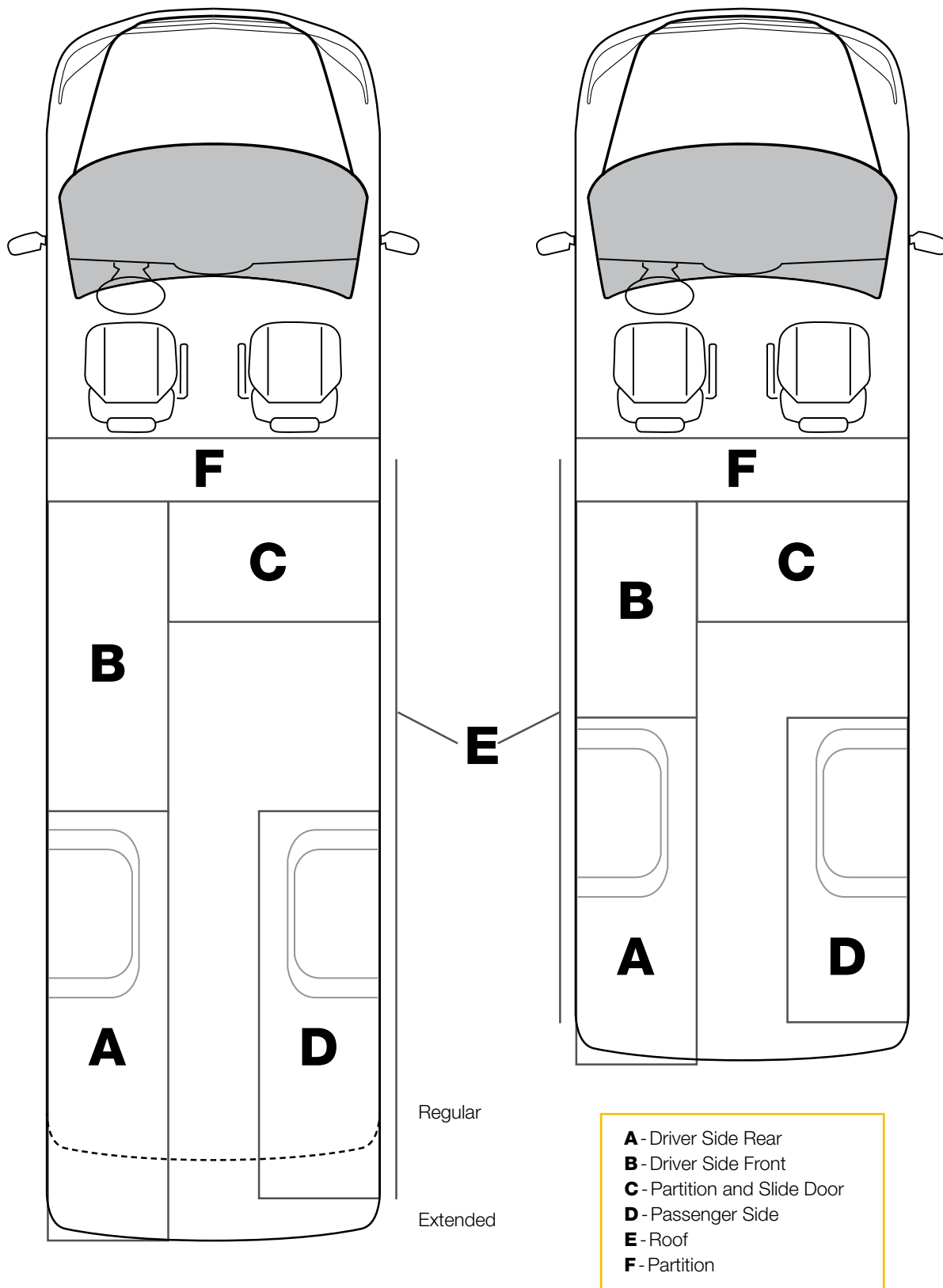
List the tools you will need to carry

Place heavy tools closest to the access doors.

	How often will you use this?			Zone
	Daily	Weekly	Monthly	
_____	<input type="checkbox"/>	<input type="checkbox"/>	<input type="checkbox"/>	A-B-C-D-E
_____	<input type="checkbox"/>	<input type="checkbox"/>	<input type="checkbox"/>	_____
_____	<input type="checkbox"/>	<input type="checkbox"/>	<input type="checkbox"/>	_____
_____	<input type="checkbox"/>	<input type="checkbox"/>	<input type="checkbox"/>	_____
_____	<input type="checkbox"/>	<input type="checkbox"/>	<input type="checkbox"/>	_____

What kind of ladder(s) will I be carrying? Step ladder Extension ladders
 Size _____ Size _____

Storage Zones



How to use the layout guide

INSIDE ROOF HEIGHT

To determine the maximum shelf height that can be used in the van.

PARTITION DEPTH

This indicates the space taken up by our partition for this vehicle. Please note that this measurement is determined by the partition that encroaches the most. Some partitions may take up less space. Take note that this measurement may not necessarily be on the floor.

DOOR OPENING

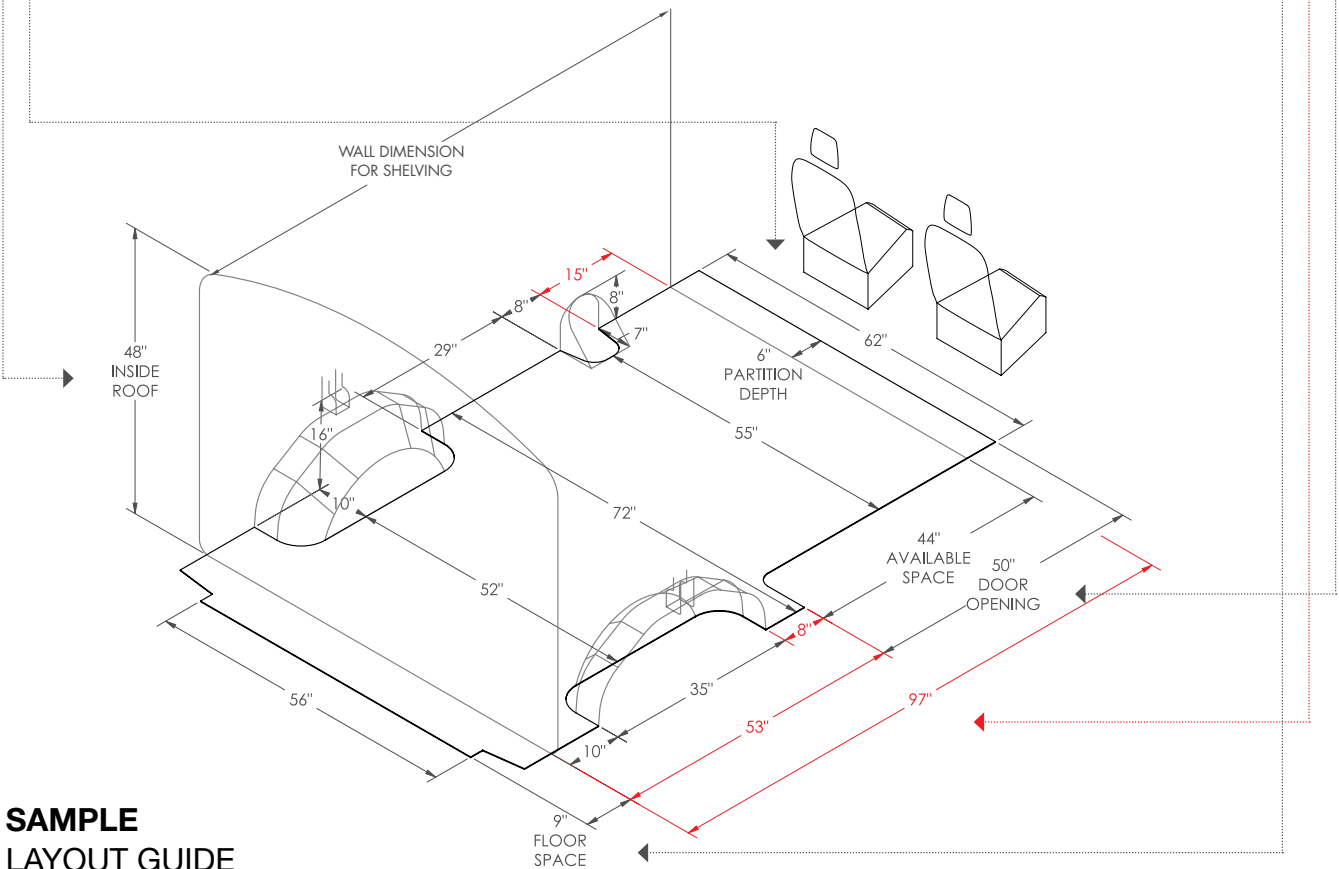
To determine where shelving will land in relation to the door opening. Use this measurement to determine the space available for drawer units.

DIMENSIONS IN RED

These dimensions indicate unique measurements for each wheelbase. Use red dimensions to determine the exact wheelbase of your van.

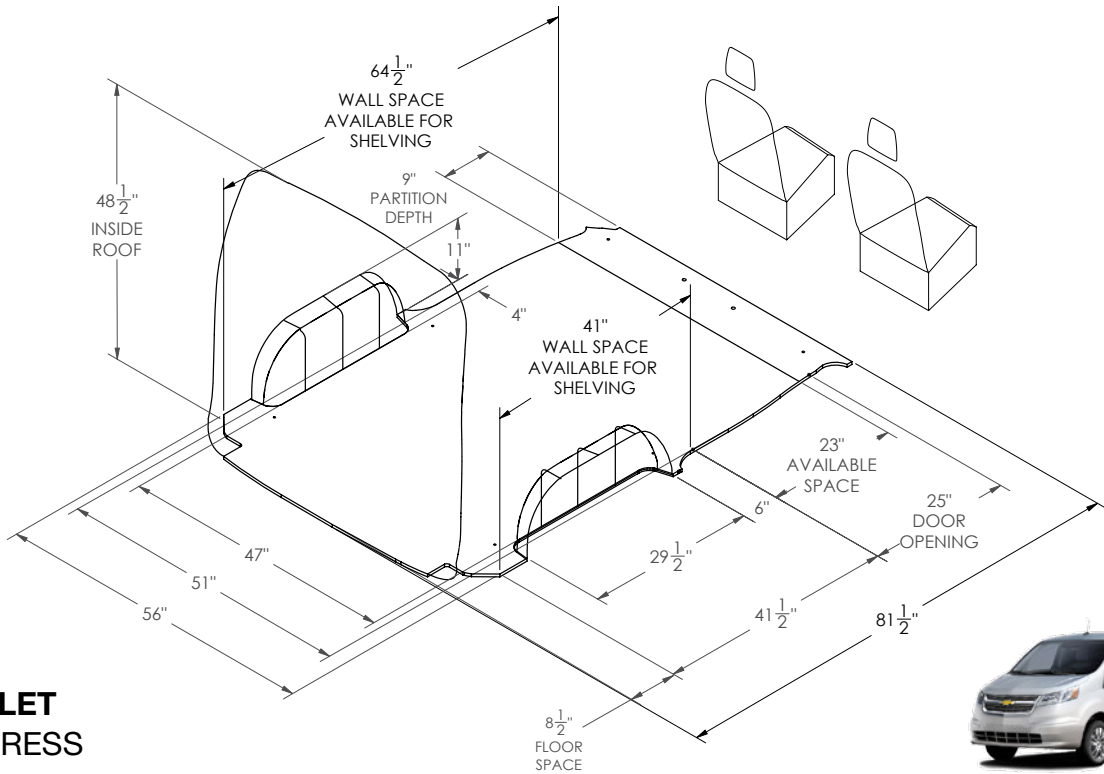
FLOOR SPACE

This area is usable floor space but due to curvature of the van there may not be the same available area at the roof. Please measure actual van for specific measurement at roof.



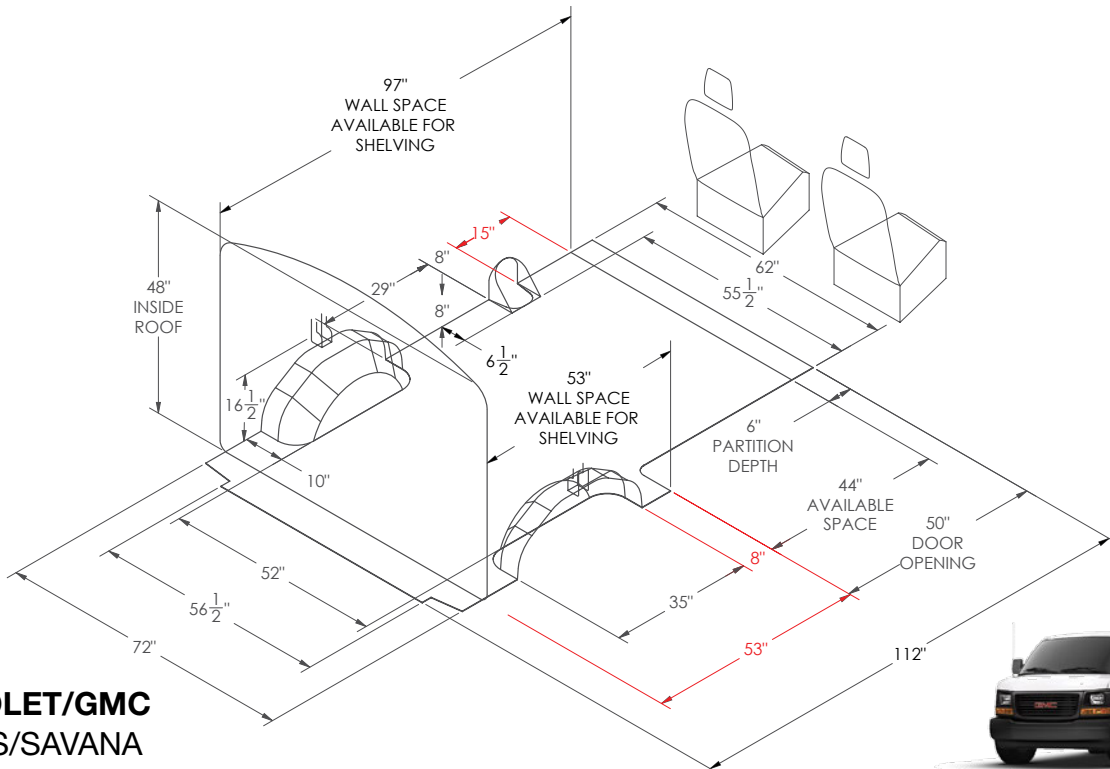
SAMPLE LAYOUT GUIDE

Wheelbase



CHEVROLET CITY EXPRESS

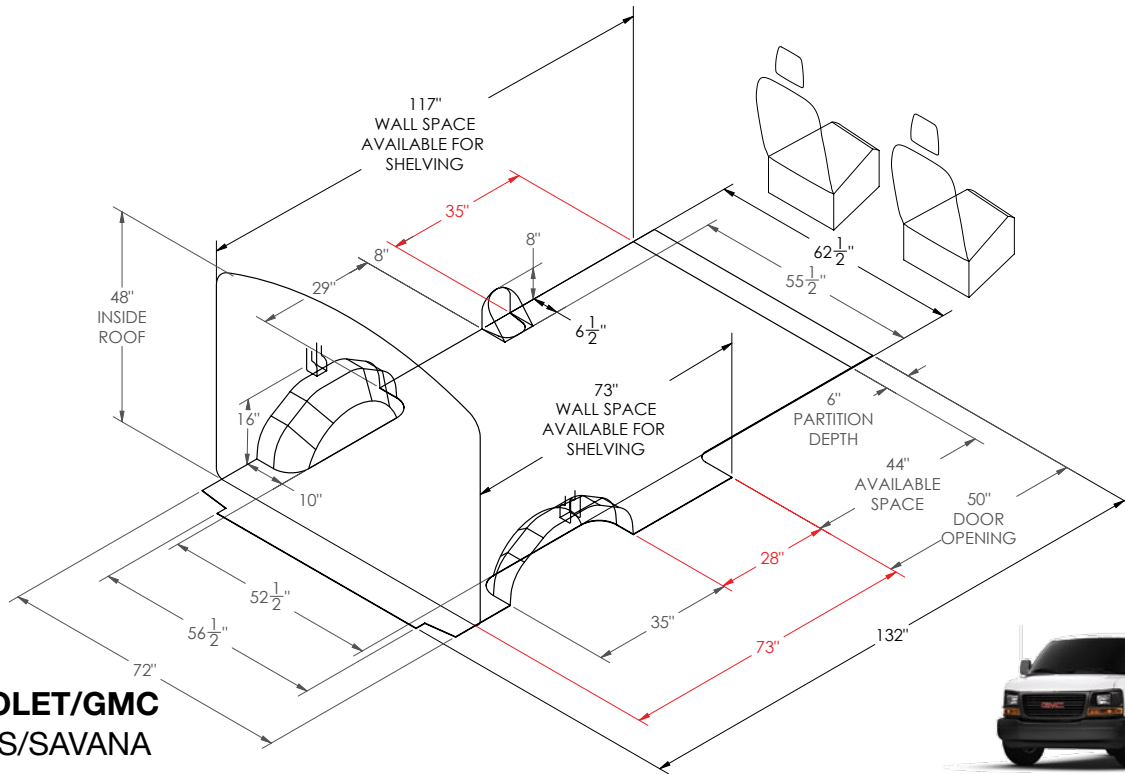
Regular 115" Wheelbase



CHEVROLET/GMC EXPRESS/SAVANA

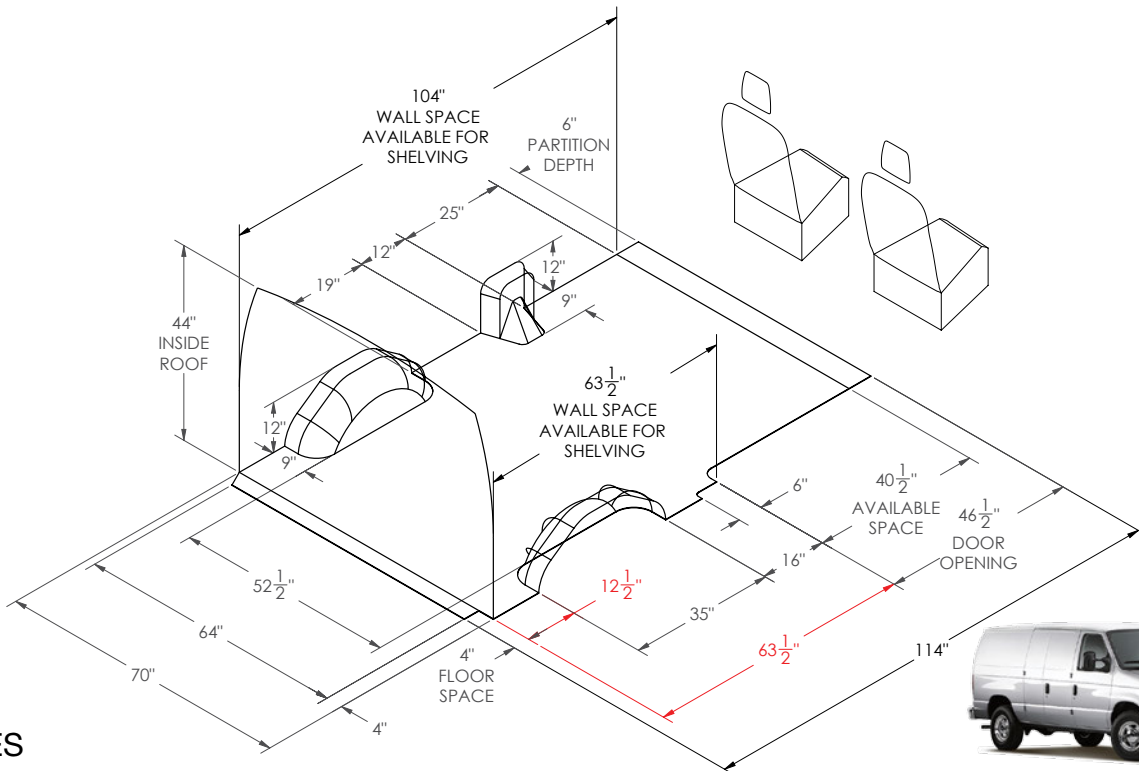
Regular 135" Wheelbase

LAYOUT GUIDES



CHEVROLET/GMC EXPRESS/SAVANA

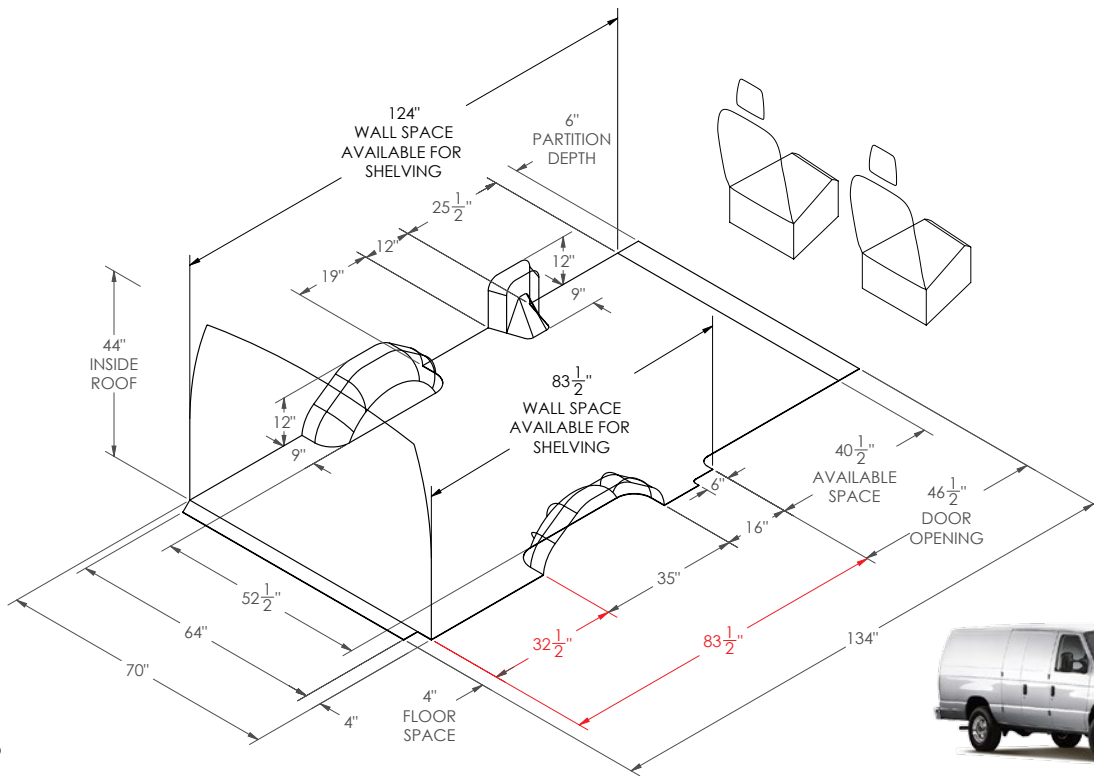
Extended 155" Wheelbase



FORD E-SERIES

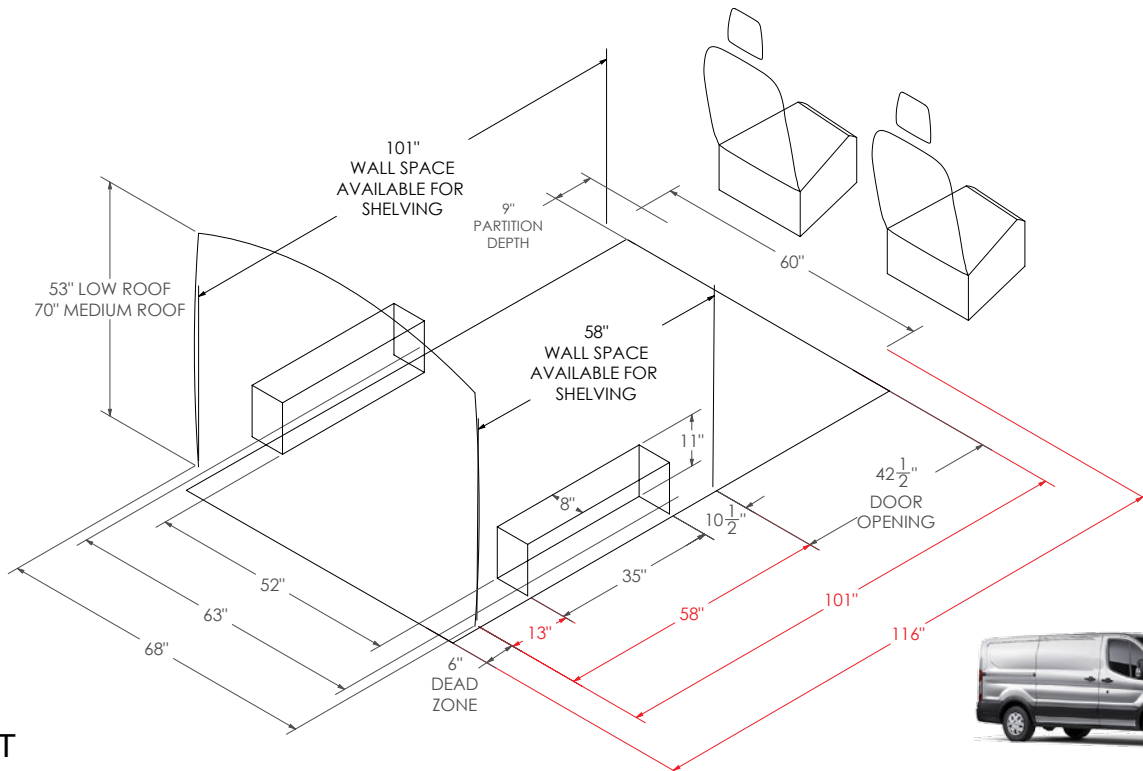
Regular 138" Wheelbase





FORD E-SERIES

138" Wheelbase Extended

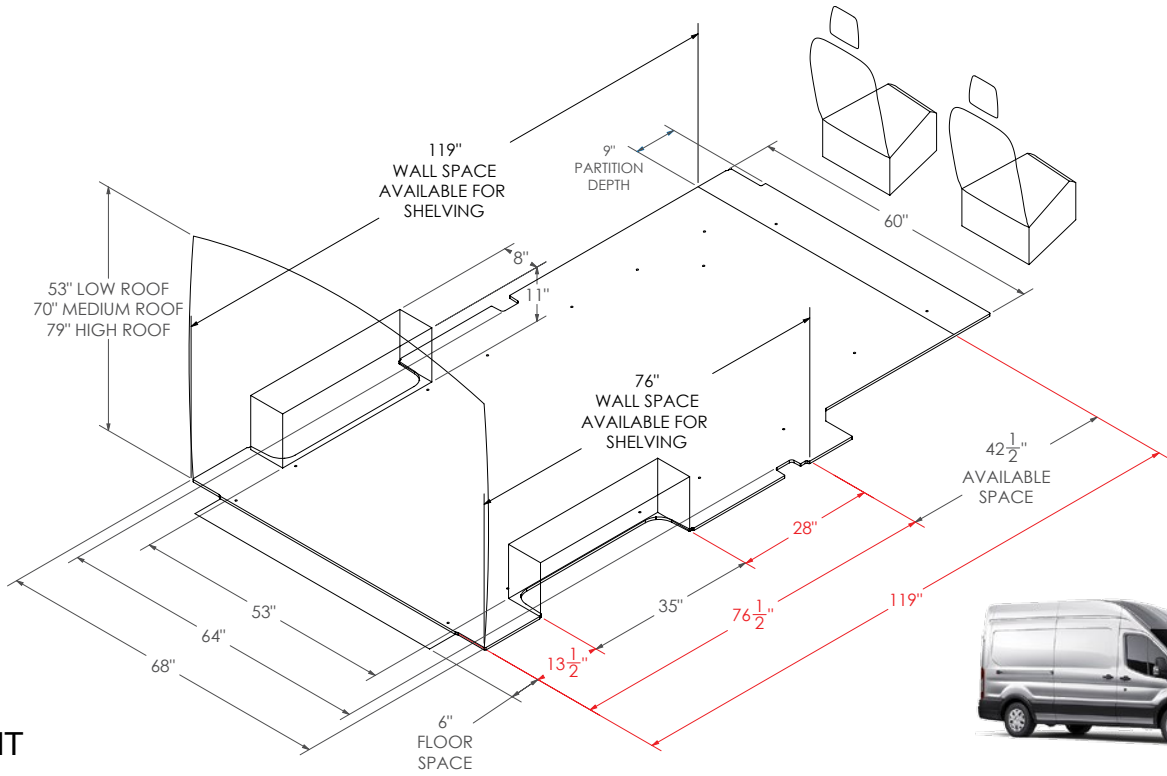


FORD TRANSIT

Regular 130" Wheelbase

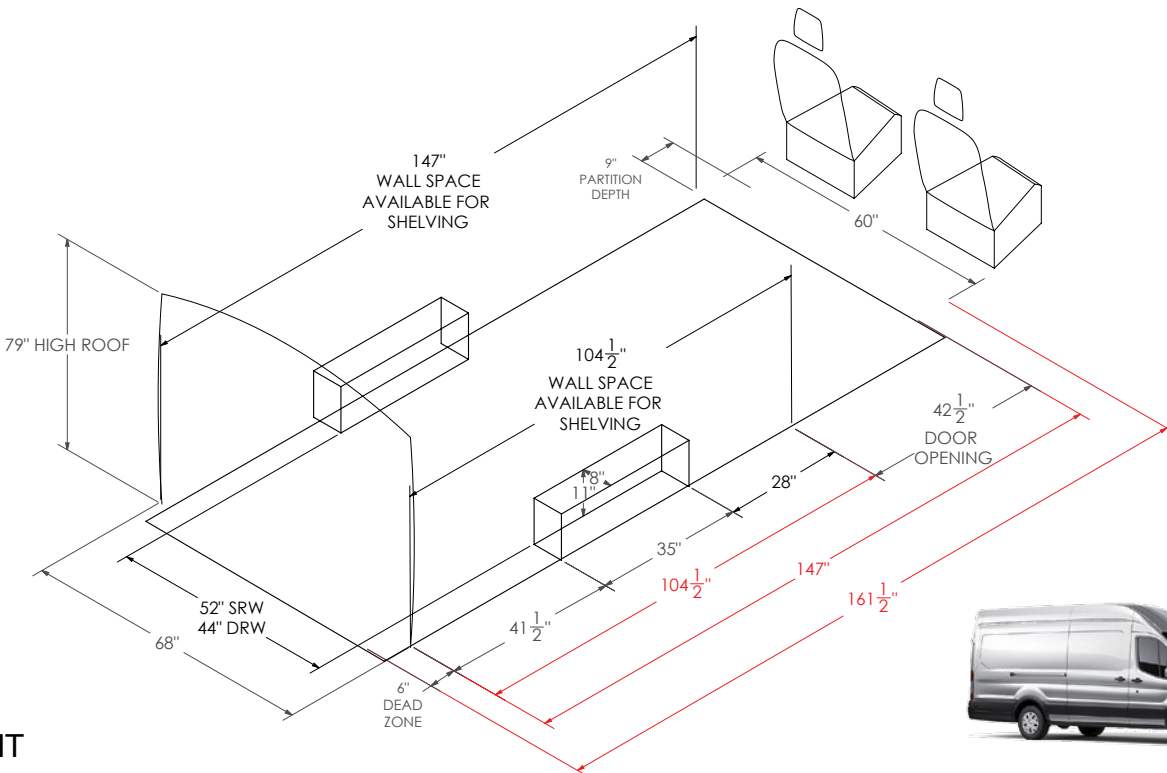


LAYOUT GUIDES



FORD TRANSIT

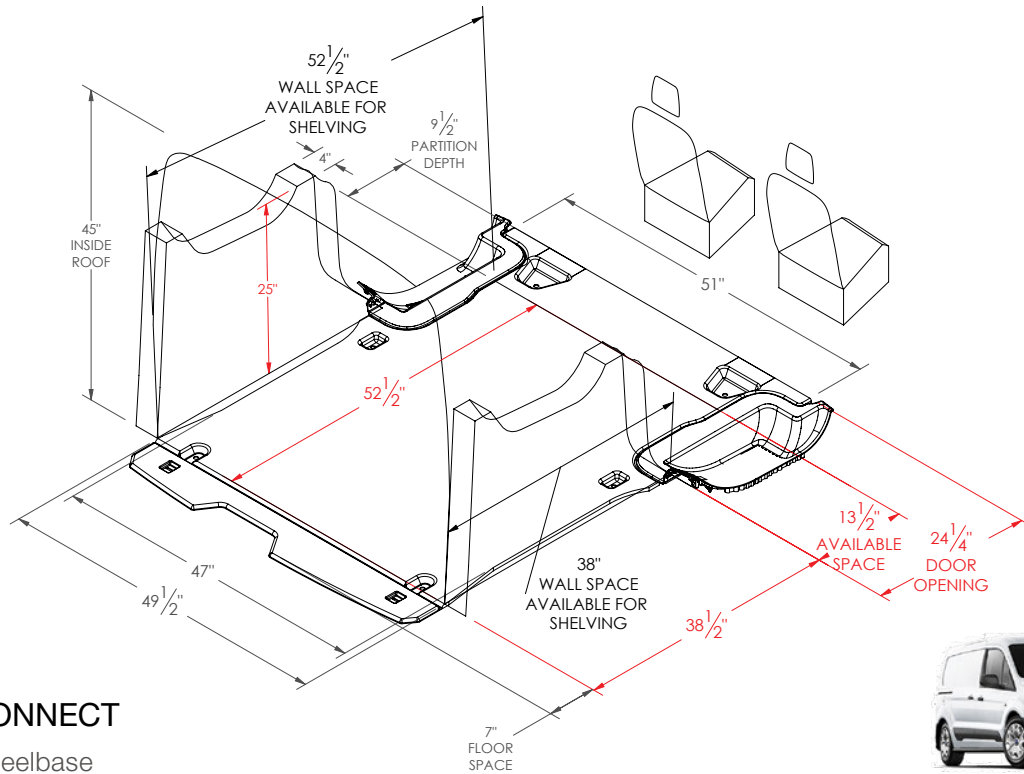
Long 148" Wheelbase



FORD TRANSIT

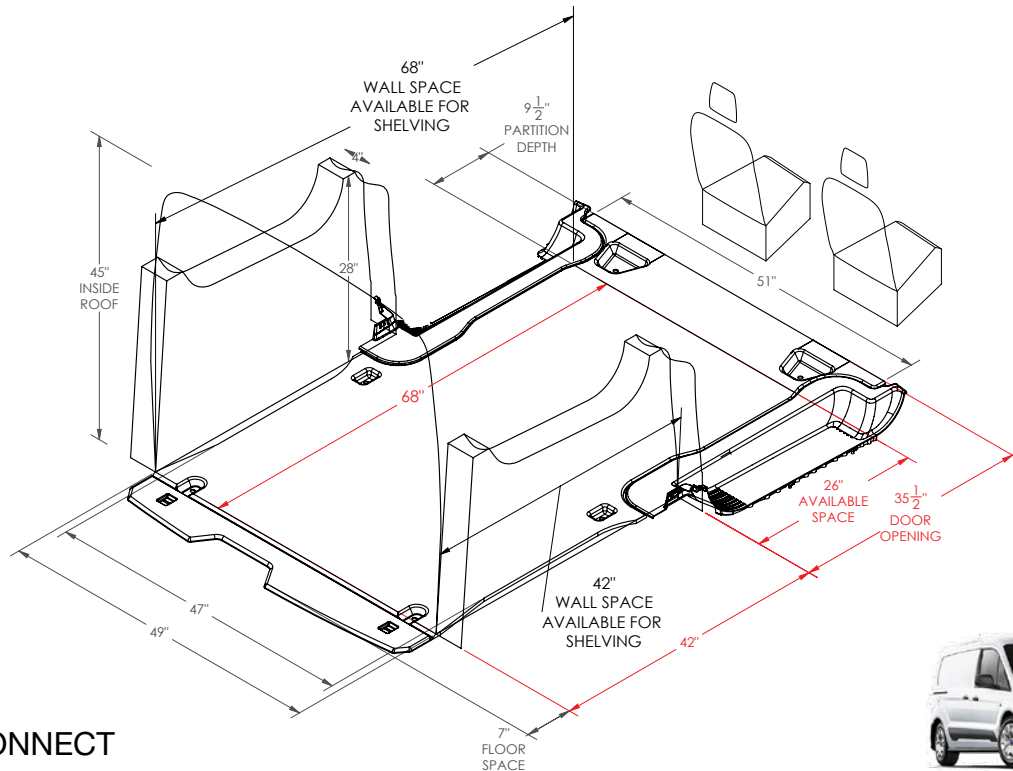
Long 148" Wheelbase Extended





FORD TRANSIT CONNECT

Short 105" Wheelbase
Available in U.S. only

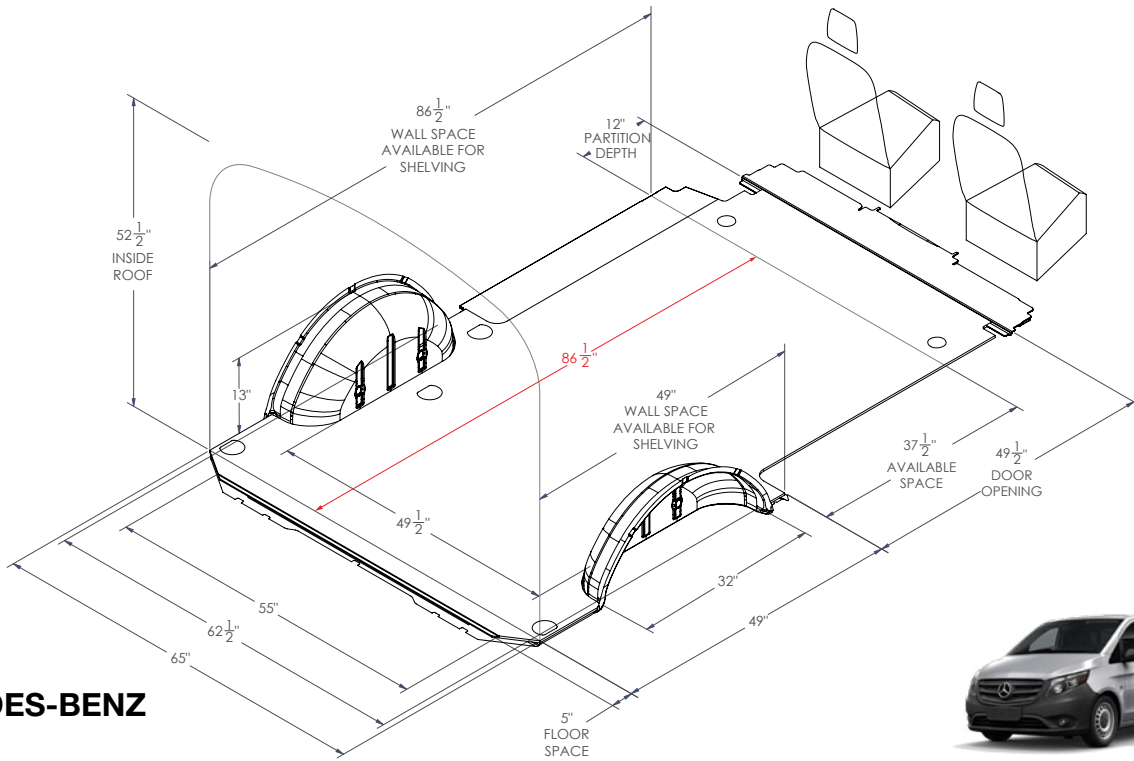


FORD TRANSIT CONNECT

Long 120.5" Wheelbase

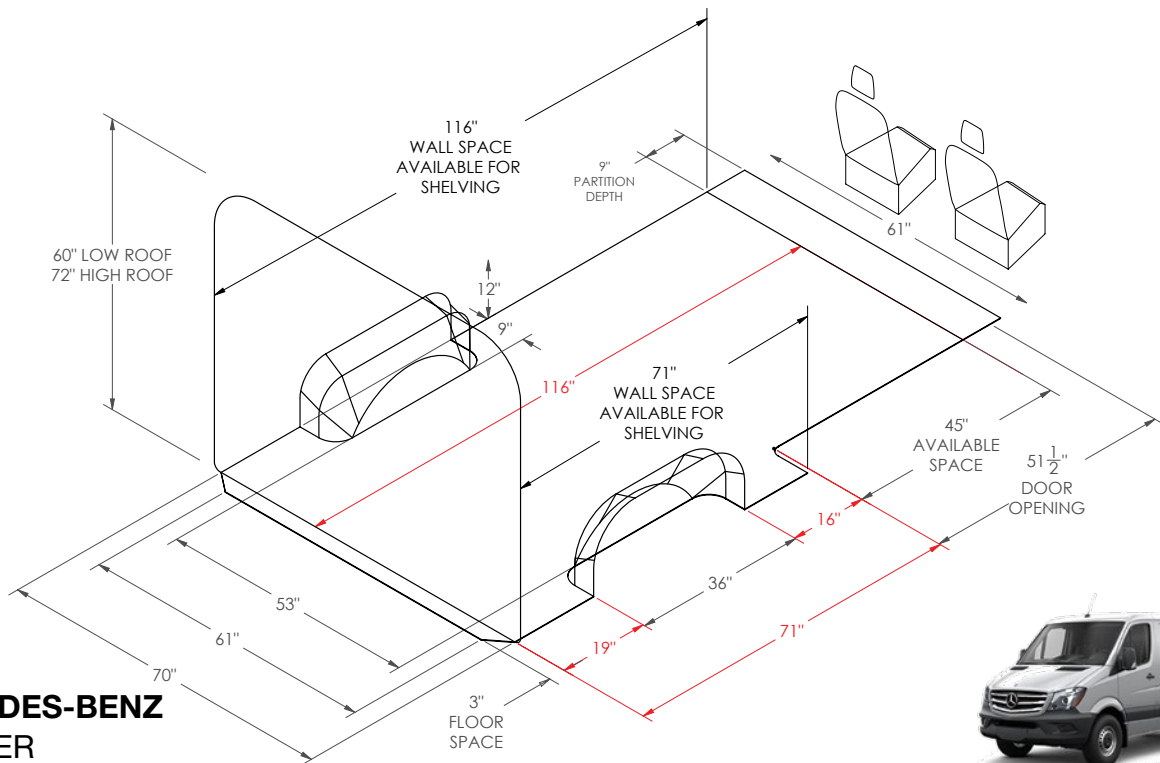


LAYOUT GUIDES



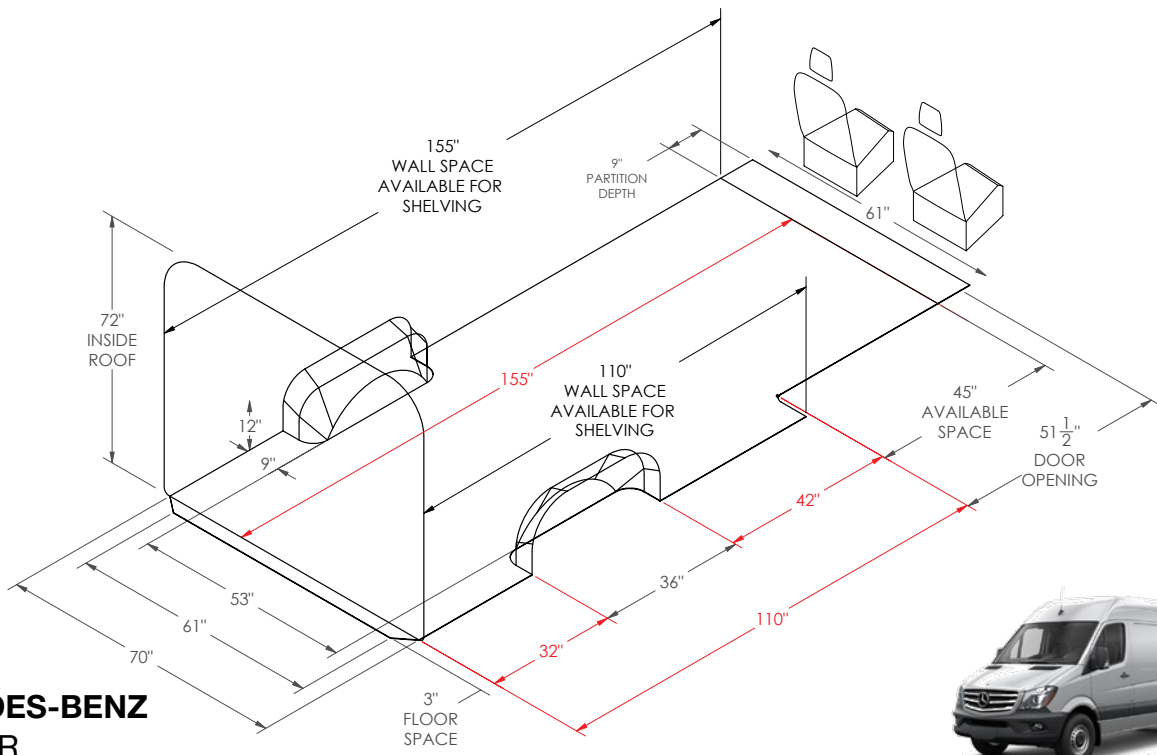
MERCEDES-BENZ METRIS

Regular 126" Wheelbase



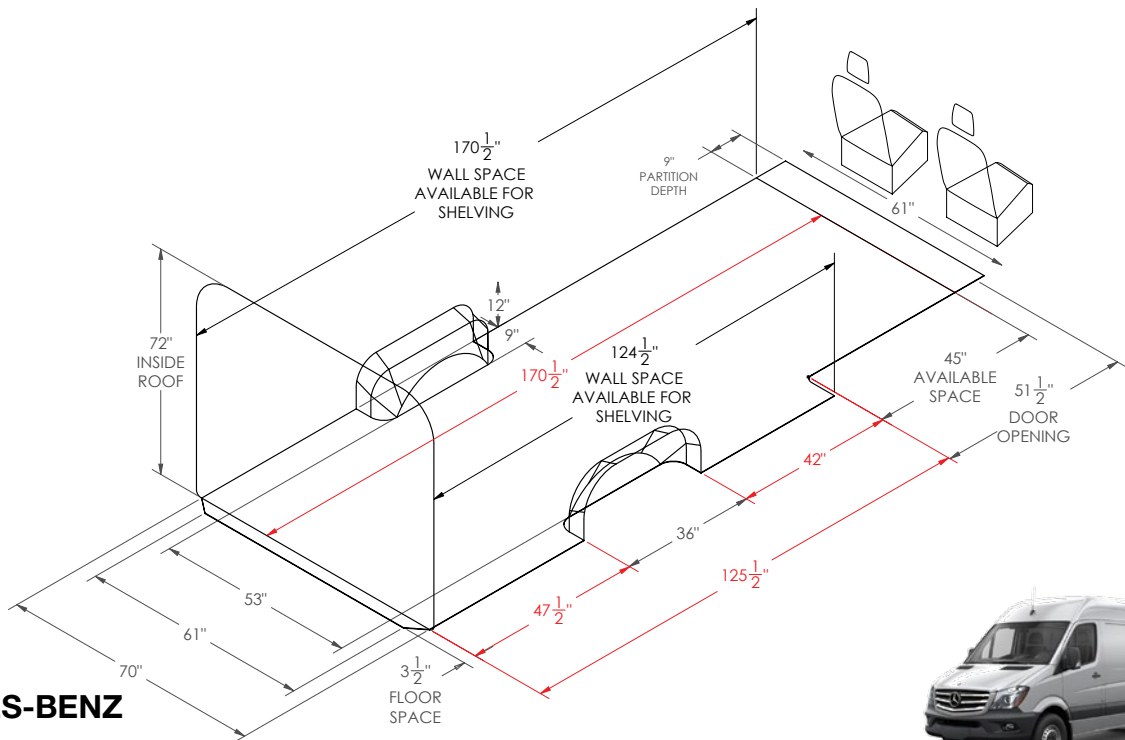
MERCEDES-BENZ SPRINTER

Regular 144" Wheelbase



MERCEDES-BENZ SPRINTER

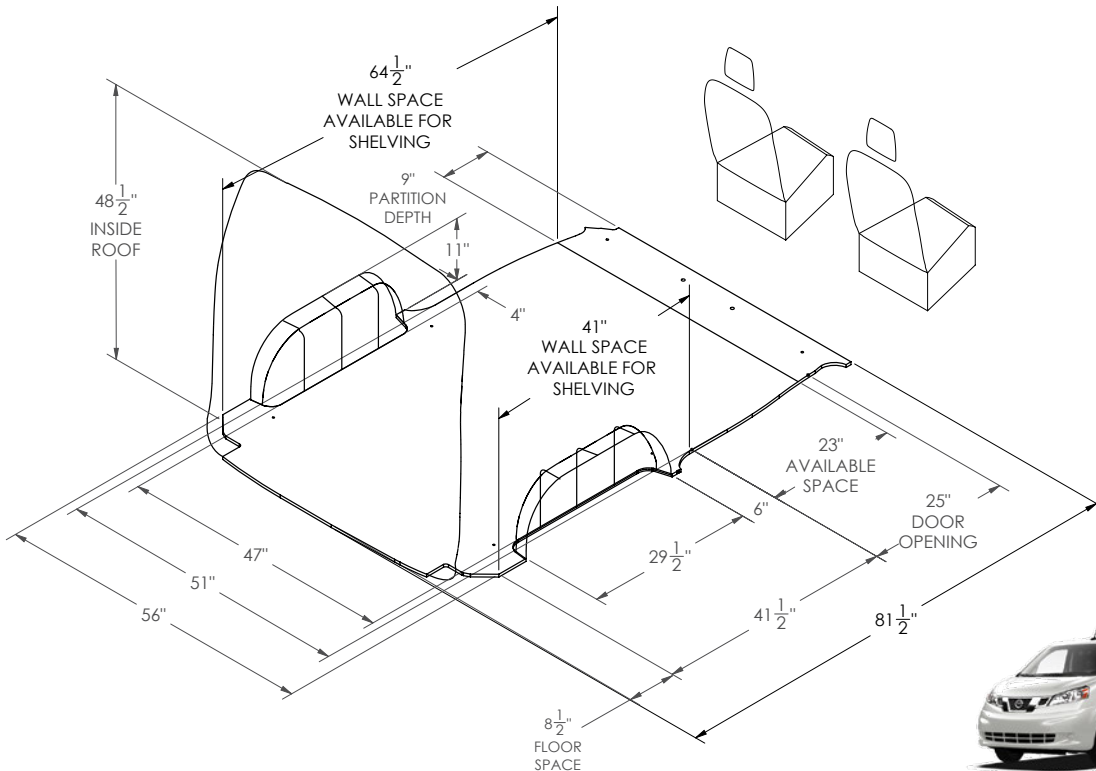
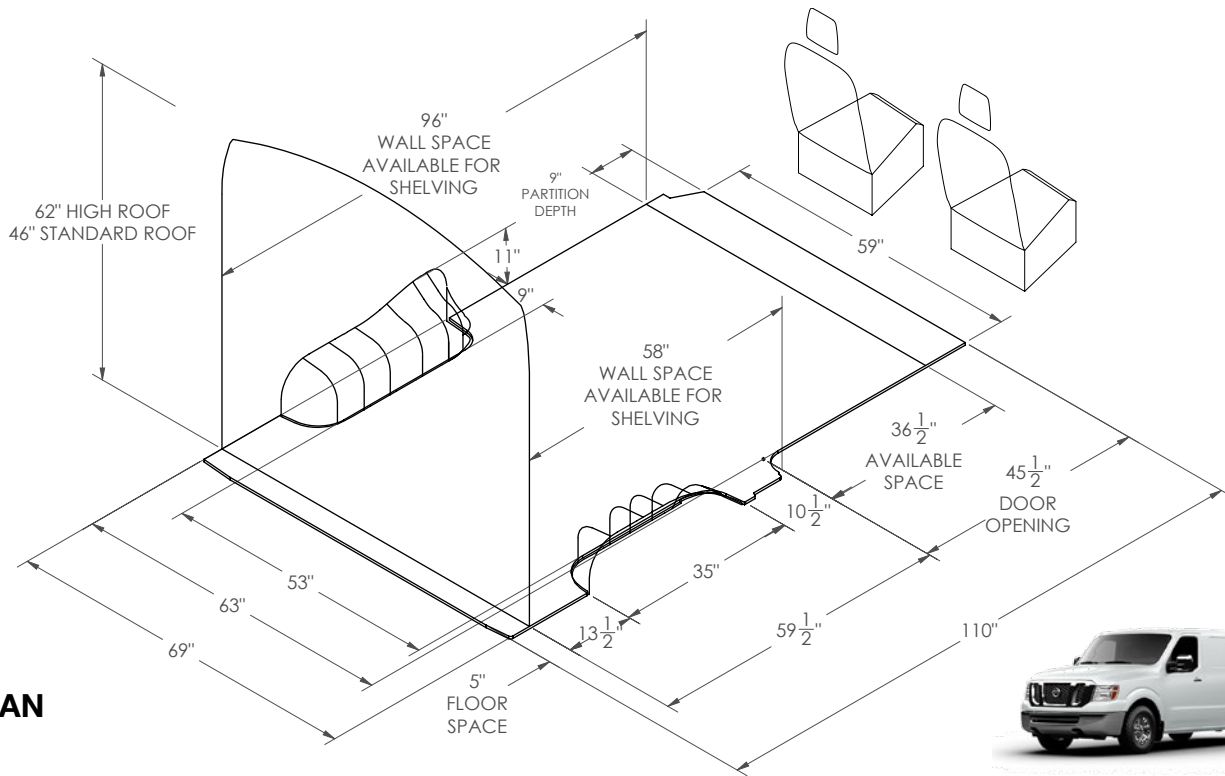
Long 170" Wheelbase

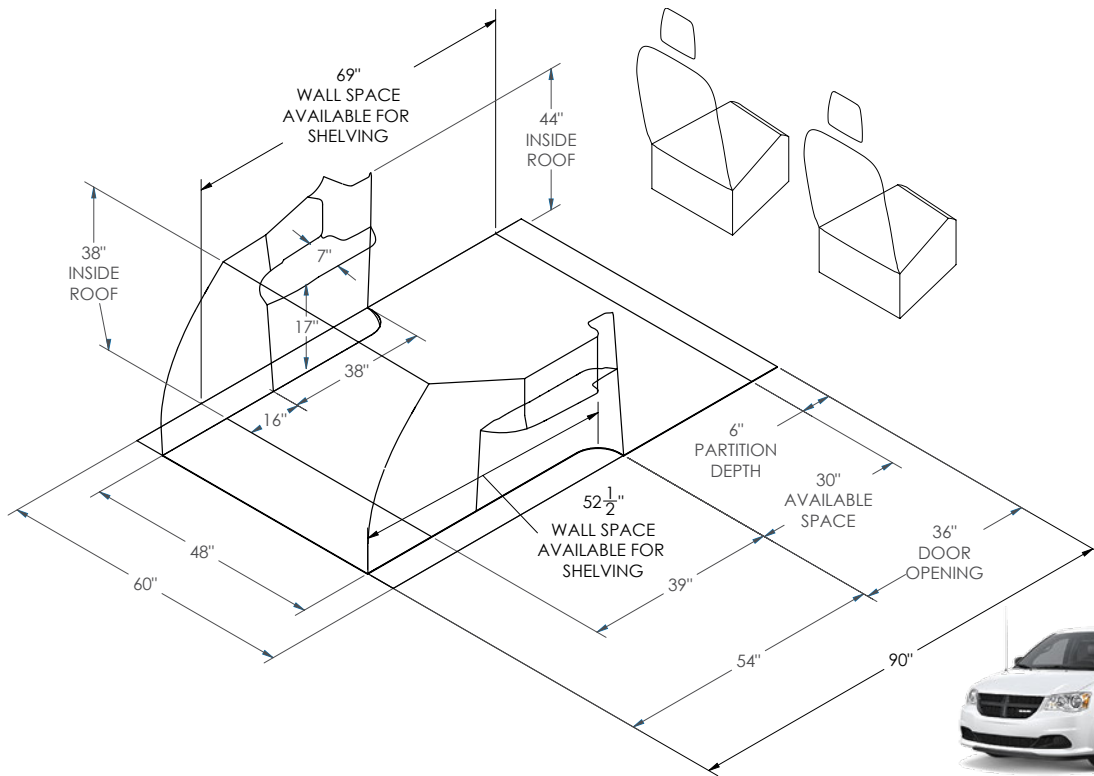


MERCEDES-BENZ SPRINTER

Extended 170" Wheelbase

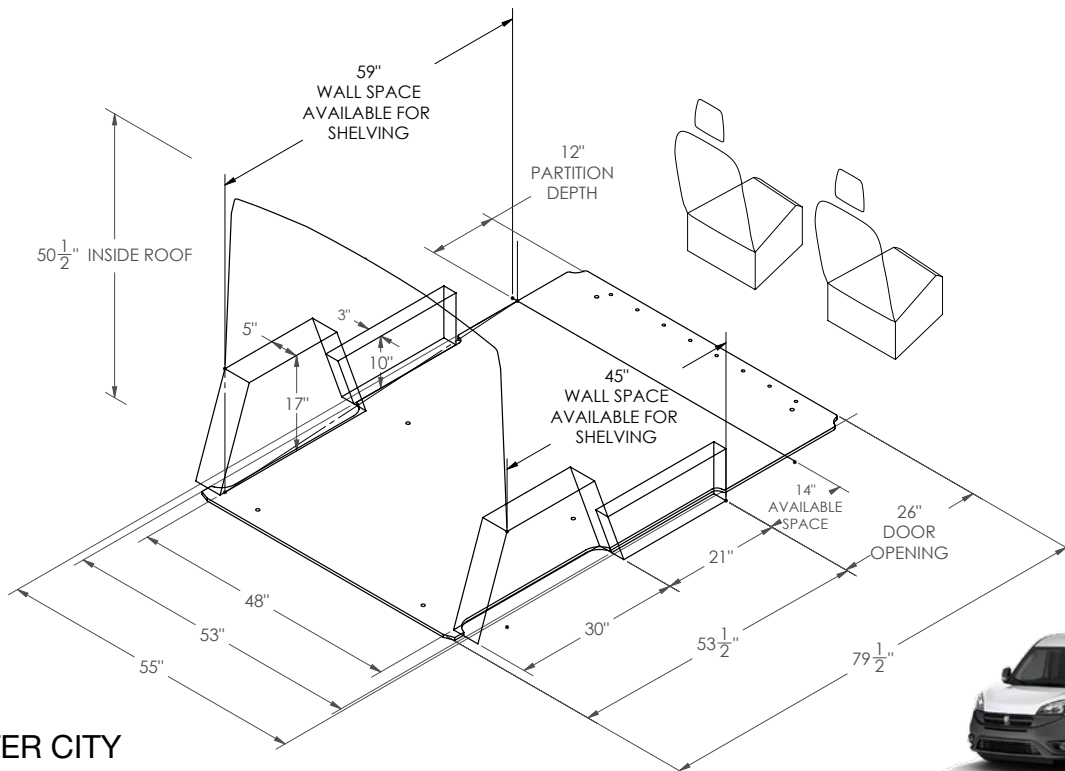
LAYOUT GUIDES





RAM C/V

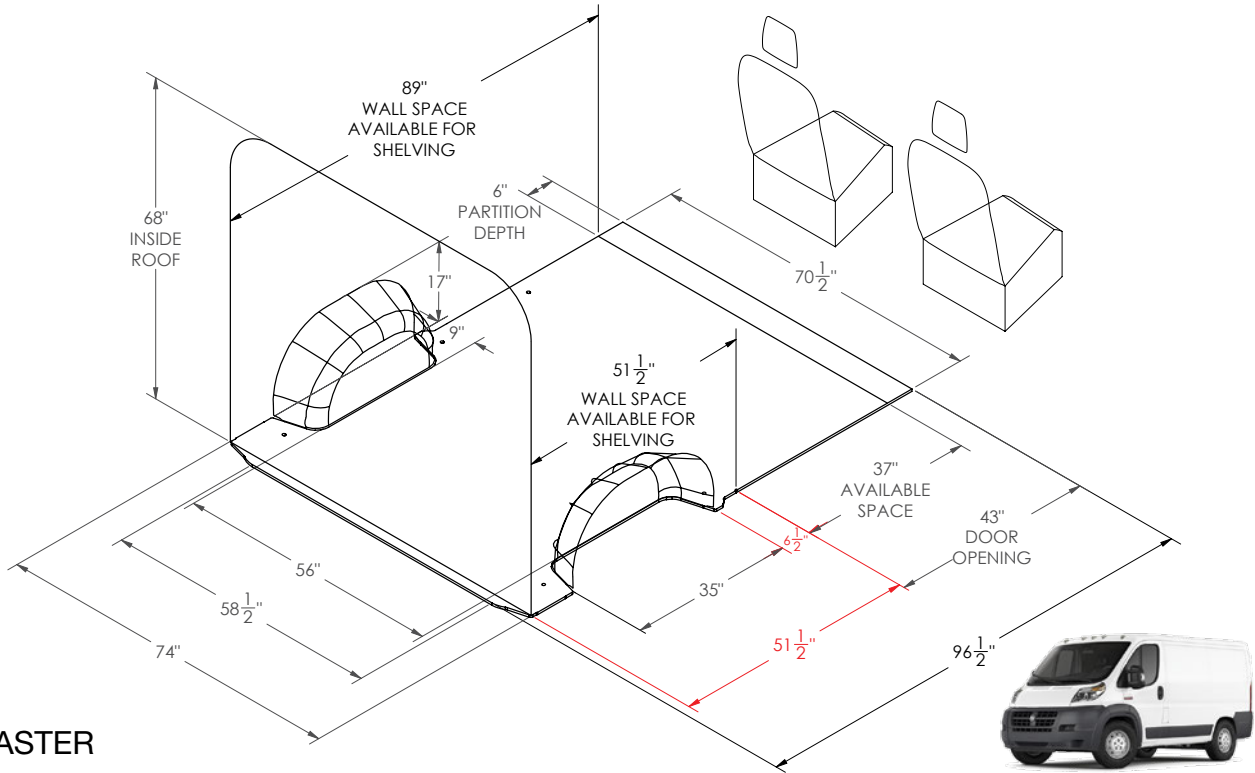
Regular 121" Wheelbase



RAM PROMASTER CITY

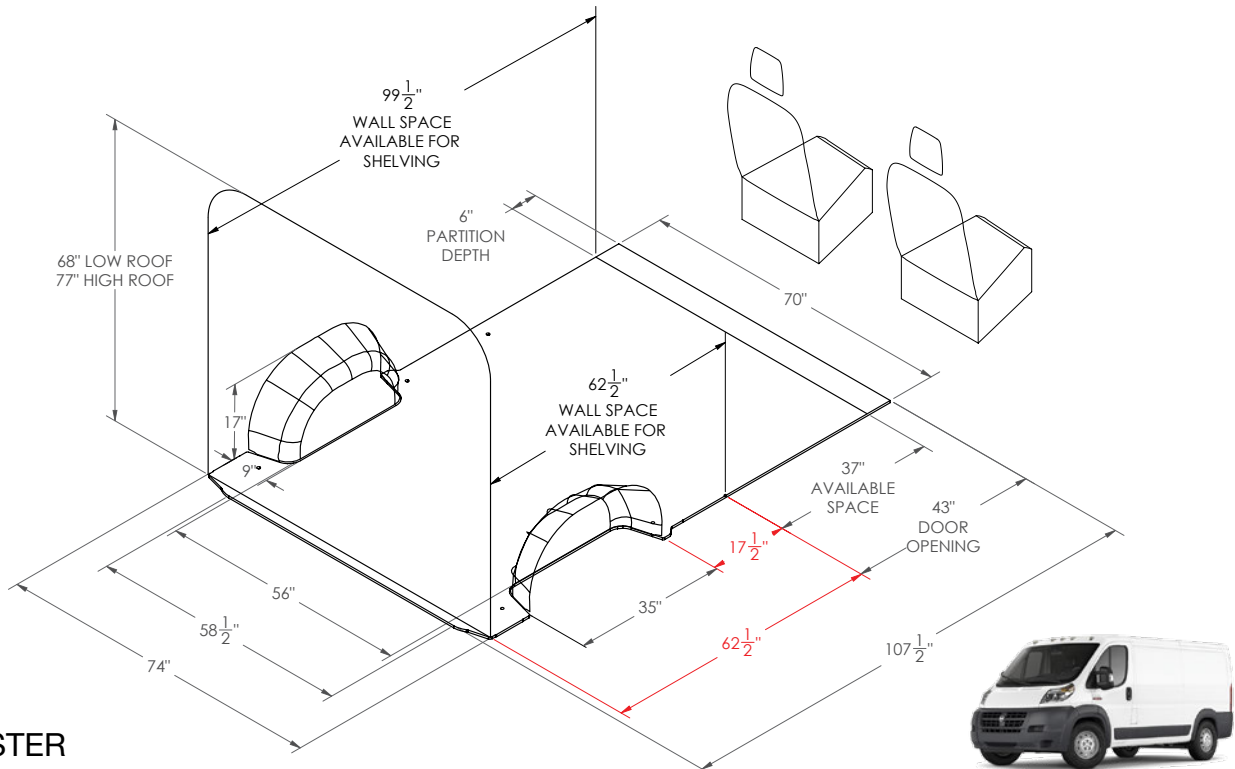
Standard 122" Wheelbase

LAYOUT GUIDES



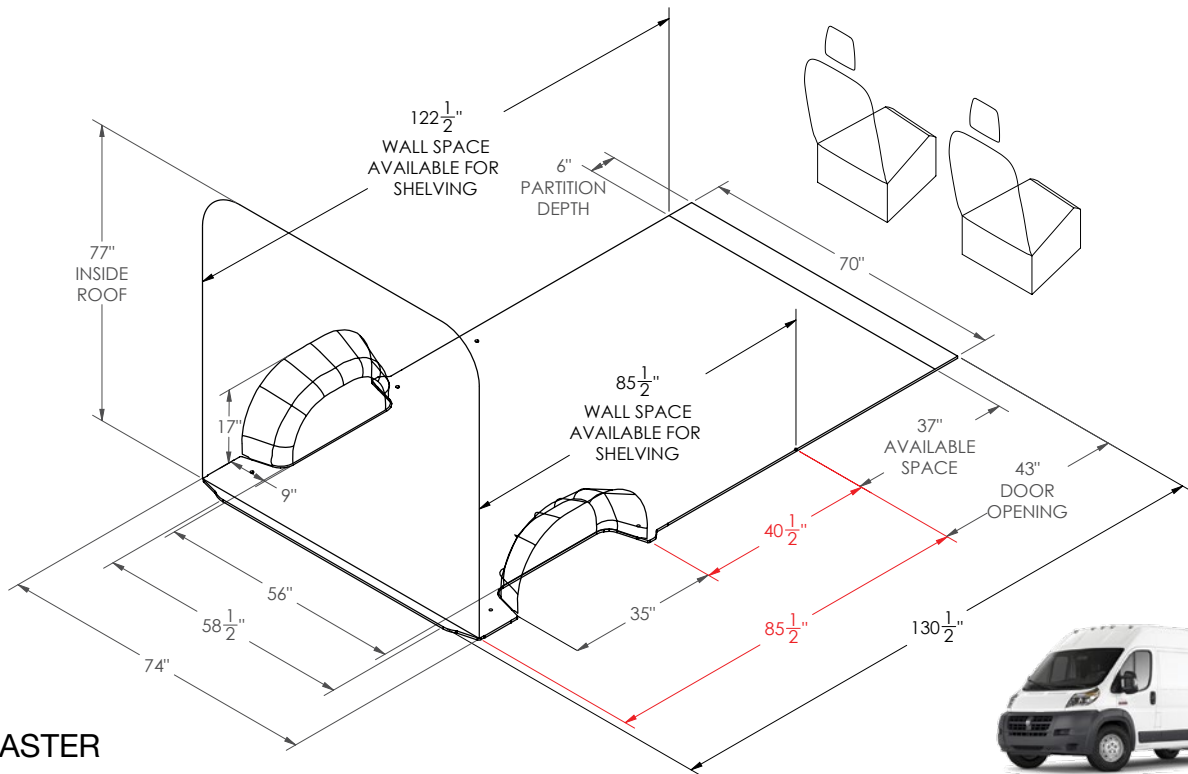
RAM PROMASTER

Short 118" Wheelbase

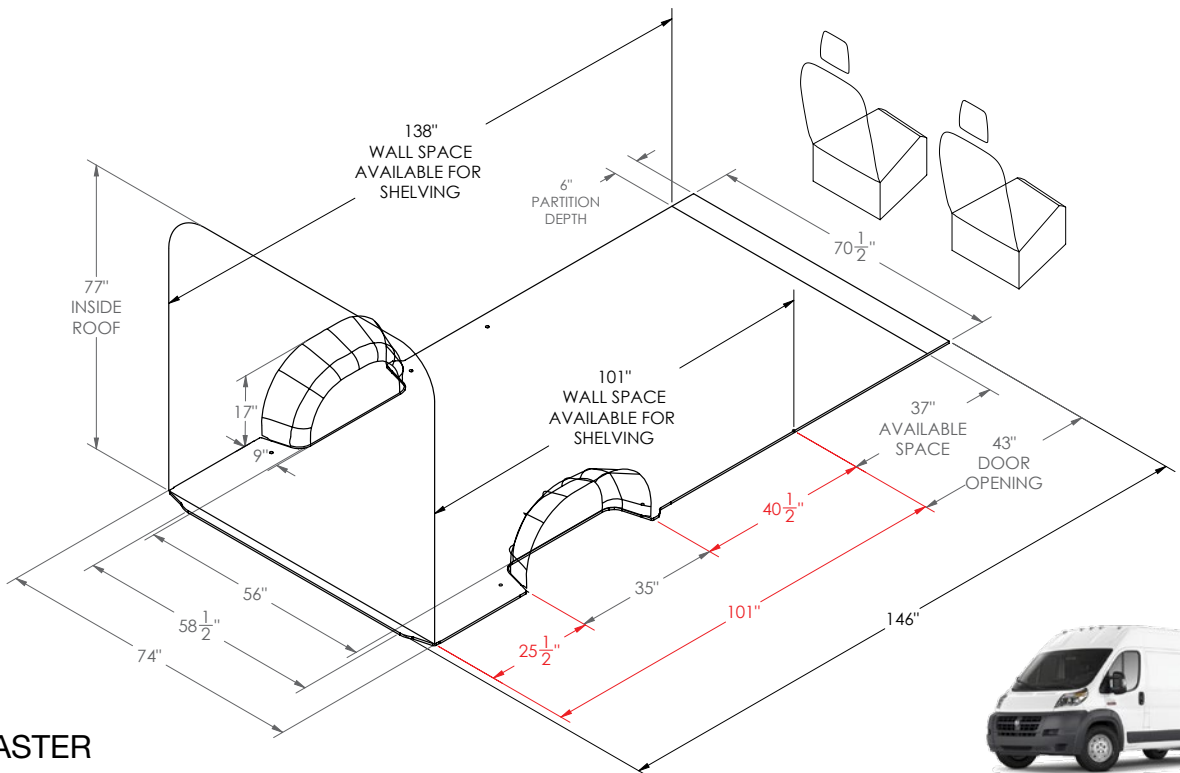


RAM PROMASTER

Medium 136" Wheelbase



RAM PROMASTER
Long 159" Wheelbase



RAM PROMASTER
Extended 159" Wheelbase





ACCESSORIES

Choose the finishing details to tailor the upfit to your specific needs.



VERSATILE

Removable storage bins ensure organization on the jobsite or on the go.



SECURE

Trade specific accessories with a place for all tools and supplies.



PRODUCTIVE

Stay productive with the most used items well within reach.

ACCESSORIES

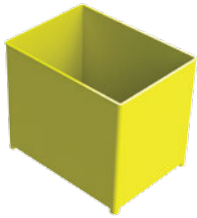
BINS	P. 24
BOTTLE HOLDERS	P. 24
LOCKING CABINETS	P. 25
HOOKS	P. 26
OTHERS	P. 26
PAPER HOLDERS	P. 28
SEAT COVERS	P. 30
STRAPS	P. 28
WINDOW GRILLS	P. 29

The finishing details are just as important when you're setting up your commercial van as they are when you're on the job site.

Customize your vehicle with our wide range of options to ensure that you can perform with optimal efficiency.



ACCESSORIES



6205

Bin cup

Plastic

4.5" D x 3.25" W x 3.75" H

0.12 lb



No



6211

Small Bin, Graphite

Plastic

6.5" D x 4" W x 3" H

0.24 lb



Yes



6212

Divider for 6211 small bin

Aluminum



0 lb



No



6221

Medium Bin, Graphite

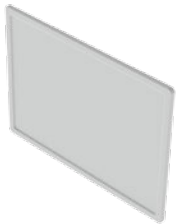
Plastic

10" D x 6" W x 4.5" H

0.56 lb



Yes



6222

Divider for 6221 medium bin

Aluminum



0 lb



No



6231

Large Bin, Graphite

Plastic

14" D x 8" W x 5.5" H

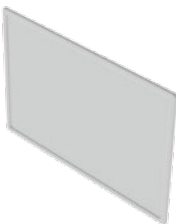
1.3 lbs



Yes



6231 Large Bin, Graphite



6232

Divider for 6231 large bin

Aluminum



0 lb



No



6001

4 Tier refrigerant rack for large bottles

14" D x 13" W x 62.5" H

34 lbs

0.7 hr

No



6002

5 Tier refrigerant rack for small bottles

14" D x 10.5" W x 62.5" H

36 lbs

0.7 hr

No



6003

5 Tier refrigerant rack for large bottles

14" D x 13" W x 62.5" H

36 lbs

0.7 hr

Yes



6006
3 Tier refrigerant rack for small bottles

Aluminum
14" D x 10.5" W x 43" H
24 lbs
0.6 hr
No



6007
4 Tier refrigerant rack for small bottles

Aluminum
14" D x 10.5" W x 43" H
22 lbs
0.6 hr
Yes



6008
3 Tier refrigerant rack for large bottles

Aluminum
14" D x 13" W x 43" H
25 lbs
0.6 hr
No



6010
Two level adjustable bottle holder

Aluminum
10.25" D x 9.5" W x 36" H
5 lbs
0.4 hr
No



6020
Horizontal refrigerant bottle holder

Aluminum
12.5" D x 48" W x 13" H
17 lbs
0.5 hr
No



6030
Bottle rack with straps

Aluminum
48" W
4 lbs
0.5 hr
No



6035
Bottle rack with straps

Aluminum
60" W
5 lbs
0.5 hr
No



6040
Locking cabinet

Aluminum
8.5" D x 12" W x 24" H
16 lbs
0.6 hr
No



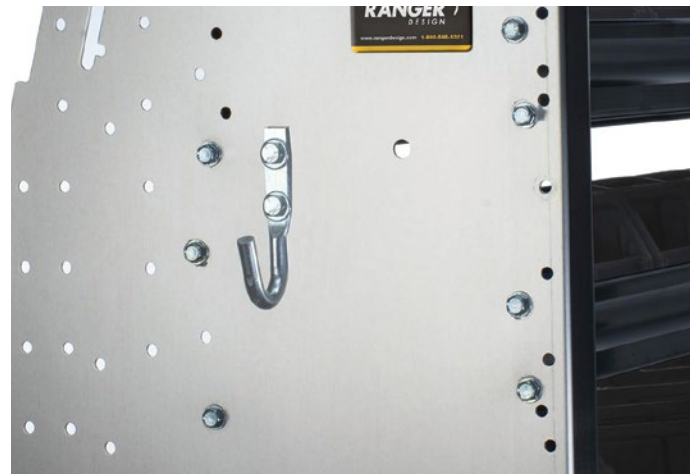
6041
Locking cabinet

Aluminum
15" D x 15.5" W x 33" H
26 lbs
0.7 hr
No



6049
Ventilation kit for cabinet

Aluminum
0 lb
No



Y30-C Coat Hook, 1" opening, chrome plated

ACCESSORIES



6086

Small aluminum bottle holder, with a black nylon strap

Aluminum

6" W x 12" H

1 lb

0.2 hr

Yes



6088

Large aluminum bottle holder, with two black nylon straps

Aluminum

8" W x 24" H

2 lbs

0.2 hr

Yes



6070

6" Hook, 3" opening, painted

Steel

3" D

0.4 lb

0.2 hr

Yes



6072

8" Swivel Hook, 4" opening, painted

Steel

4" D

0.6 lb

0.2 hr

Yes



6073 Large aluminum movable hook, 6.5" opening



6073

Large aluminum movable hook, 6.5" opening

Aluminum

6.5" D x 2.75" W x 4" H

1 lb

0.01 hr

Yes



Y30-C

Coat Hook, 1" opening, chrome plated

Steel

1" D

0.1 lb

0.2 hr

Yes



1130

Elevated strobe mount

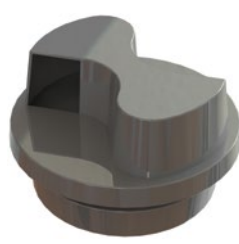
Aluminum

8" W

1 lb

0.1 hr

No



6050

Flettner vent, rotary design

Plastic

8.88" D

1.5 lbs

1 hr

No



6052

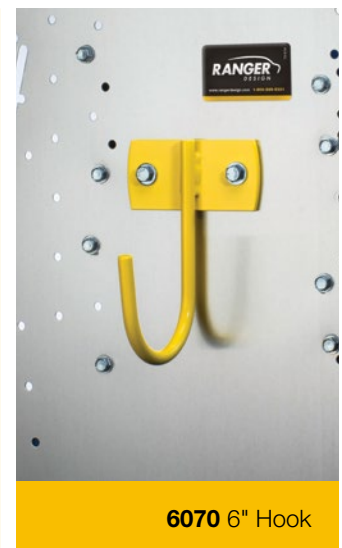
Vise Holder with an 8"x8" mounting plate

Steel

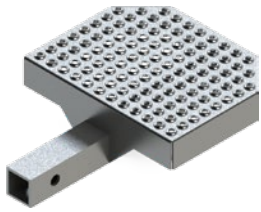
37 lbs

0.5 hr

No



6070 6" Hook



6054

Hitch Step, with hitch pin to fit a 2"x2" hitch

Aluminum

6" D x 12" W

4 lbs



No



6057

Can Holder

Aluminum

3" D x 8.5" W x 3" H

1 lb

0.2 hr

No



6075

Transport tube door, for 6" diameter tube with stainless steel hardware

Aluminum

6" D

2 lbs

0.2 hr

No



6078

Cradle & strap kit for 6" dia. transport tube (one cradle and one strap)

Aluminum

6" D

1 lb

0.1 hr

No



6079

Transport tube door kit complete (6" dia. PVC tube not included)

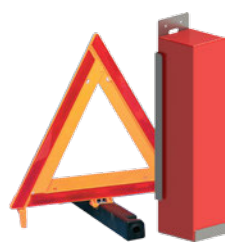
Aluminum

6" D

6 lbs

0.8 hr

No



6082

Triangle kit with aluminum holder

Other

14 lbs

0.2 hr

No



6090

Back up alarm, die cast housing, fully encapsulated circuitry

Other

1 lb

1 hr

No



6091

Surface mount tie down ring, zinc plated

Steel

4" D

0.4 lb

0.2 hr

No



6092

Dome Light, chrome finish housing

Other

8.5" D

1 lb

1 hr

No



6093

Grab handle

Plastic

9.5" D

0.1 lb

0.5 hr

No



6090 Back up alarm, die cast housing

ACCESSORIES



7124

Reel Holder with two 5/8" diameter rods

Aluminum

7.25" D x 15" W x 24" H

9 lbs

0.5 hr

Yes



6061

Paper Holder, extra deep, 2 slots

Aluminum

3.75" D x 12.75" W x 12" H

2 lbs

0.2 hr

No



6063

Paper Holder, extra deep, 5 slots

Aluminum

3.75" D x 12.75" W x 24" H

5 lbs

0.2 hr

Yes



6066

2 Pocket Holder, with 8 plastic bins

Aluminum

4.5" D x 20" W x 21.75" H

7.5 lbs

0.2 hr

No



6067

Paper Holder, regular depth, 2 slots

Aluminum

2.25" D x 12.75" W x 12" H

2 lbs

0.2 hr

No



6068

Hard Hat Holder, painted wire

Steel

0.5 lb

0.2 hr

No



6069

Paper Holder, regular depth, 5 slots

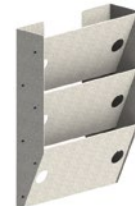
Aluminum

2.25" D x 12.75" W x 24" H

5 lbs

0.2 hr

No



Y31-A

Paper Holder, extra deep, 3 slots

Steel

3.75" D x 12.75" W x 16" H

9 lbs

0.2 hr

Yes



6095

Black Nylon Strap, plastic buckle

Other

2" W x 28" H

0.18 lb

0.01 hr

No



6096

Black Nylon Strap, chrome plated buckle

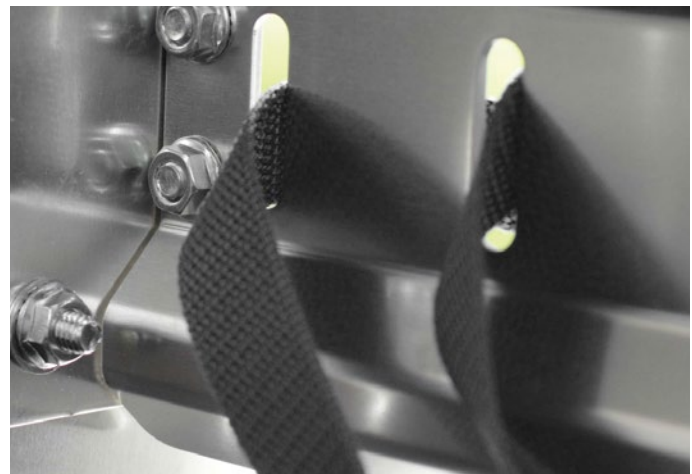
Other

1" W x 36" H

0.12 lb

0.01 hr

No



6096 Black Nylon Strap, chrome plated buckle



6097

Black Nylon Strap,
chrome plated buckle

Other

1" W x 48" H

0.13 lb

0.01 hr

No



6098

Black Nylon Strap,
chrome plated buckle

Other

1" W x 72" H

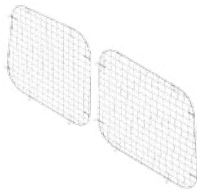
0.16 lb

0.01 hr

No



6086 Small aluminum bottle holder, with a black nylon strap



6106

Chevrolet Express & GMC Savana
Set of 2 rear window grills

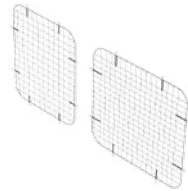
Steel

Standard Roof

8 lbs

0.2 hr

No



6111

Chevrolet Express & GMC Savana
Set of 2 side window grills

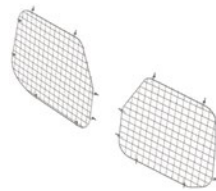
Steel

Standard Roof

8 lbs

0.2 hr

No



6120

Ford Transit
Set of 2 rear window grills

Steel

Low Roof

8 lbs

0.2 hr

No



6121

Ford Transit
Set of 2 rear window grills

Steel

Medium Roof

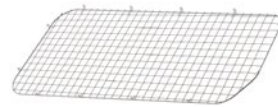
8 lbs

0.2 hr

No



6063 Paper Holder



6122

Ford Transit
Window grill, passenger
side sliding door

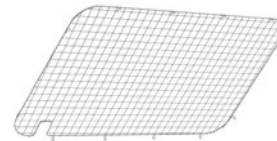
Steel

Low Roof

8 lbs

0.2 hr

No



6123

Ford Transit
Window grill, passenger
side sliding door

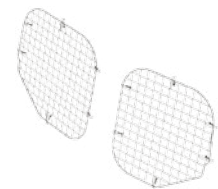
Steel

Medium Roof

8 lbs

0.2 hr

No



6124

Ford Transit Connect
Set of 2 rear window grills

Steel

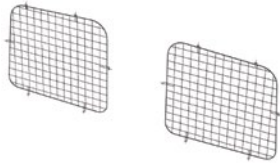
Standard Roof

8 lbs

0.2 hr

No

ACCESSORIES



6126

Mercedes-Benz Metris
Set of 2 rear window grills

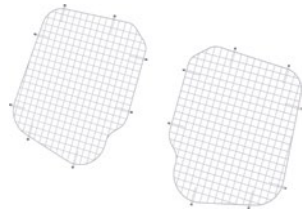
Steel

Standard Roof

5 lbs

0.2 hr

No



6107

Mercedes-Benz Sprinter
Set of 2 rear window grills

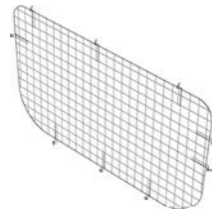
Steel

High Roof

8 lbs

0.2 hr

No



6117

Mercedes-Benz Sprinter
Window grill, passenger side sliding door

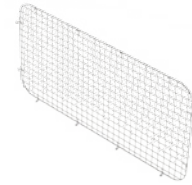
Steel

High Roof

8 lbs

0.2 hr

No



6118

Ram ProMaster
Window grill, passenger side sliding door (does not fit the 118" wheelbase)

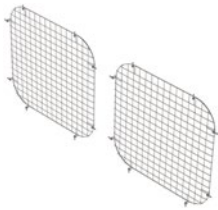
Steel

High Roof

8 lbs

0.2 hr

No



6119

Ram ProMaster
Set of 2 rear window grills

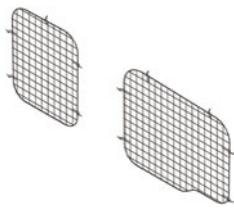
Steel

High Roof

11 lbs

0.2 hr

No



6134

Ram ProMaster City
Set of 2 rear window grills

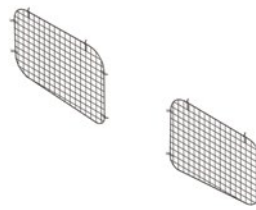
Steel

Standard Roof

8 lbs

0.2 hr

No



6135

Ram ProMaster City
Set of 2 sliding door window grills

Steel

Standard Roof

8 lbs

0.2 hr

No



3024

Universal Universal
Partition window with frame for 3020, 3025, 3068

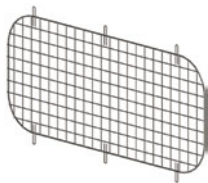
Aluminum

Universal

5 lbs

0.5 hr

No



3044

Universal Universal
Grill for partition window for 3020, 3025, 3068

Steel

Universal

2 lbs

0.5 hr

No



7124 Reel Holder with two 5/8" diameter rods

SEAT COVERS



OUR KEY ADVANTAGES INCLUDE:

- Durable material and easy maintenance
- Urethane coating to make the fabric water and stain resistant
- Machine wash and dryer safe
- Easy installation within 30 minutes for a set
- No interference with factory seat functions (heat, cold, air bag)
- Minimal seams
- Tight custom fit for each vehicle guaranteed to stay in place
- Seat damage prevention puncture resistant
- Durable Cordura® fabric with a 1 year warranty

PART

CHEVROLET CITY EXPRESS NISSAN NV200	6251
CHEVROLET EXPRESS GMC SAVANA	6252
FORD TRANSIT	6255
FORD TRANSIT CONNECT	6256
NISSAN NV	6250
MERCEDES-BENZ METRIS	6258
MERCEDES-BENZ SPRINTER	6257
RAM PROMASTER	6254
RAM PROMASTER CITY	6253

SPECIFICATIONS

for 1 set of bucket seat covers

	4 lbs
	0.5 hr
	Yes

*We do not offer seat covers for bench seats

Maximize Cargo Capacity & Vehicle Performance With Contractor Grade, Organized Storage Systems

When you want the perfect upfit solution for your work vehicle, turn to Ranger Design. Crash-tested for toughness, Ranger's shelving and upfits will take whatever abuse you can dish out. Their unsurpassed craftsmanship, combined with ideal fit and finish, provide a quiet ride with no rattles.



CUSTOMER SERVICE

cs@rangerdesign.com
1-800-565-5321
rangerdesign.com



THE PERFECT FIT
FOR YOUR TOUGHEST JOBS