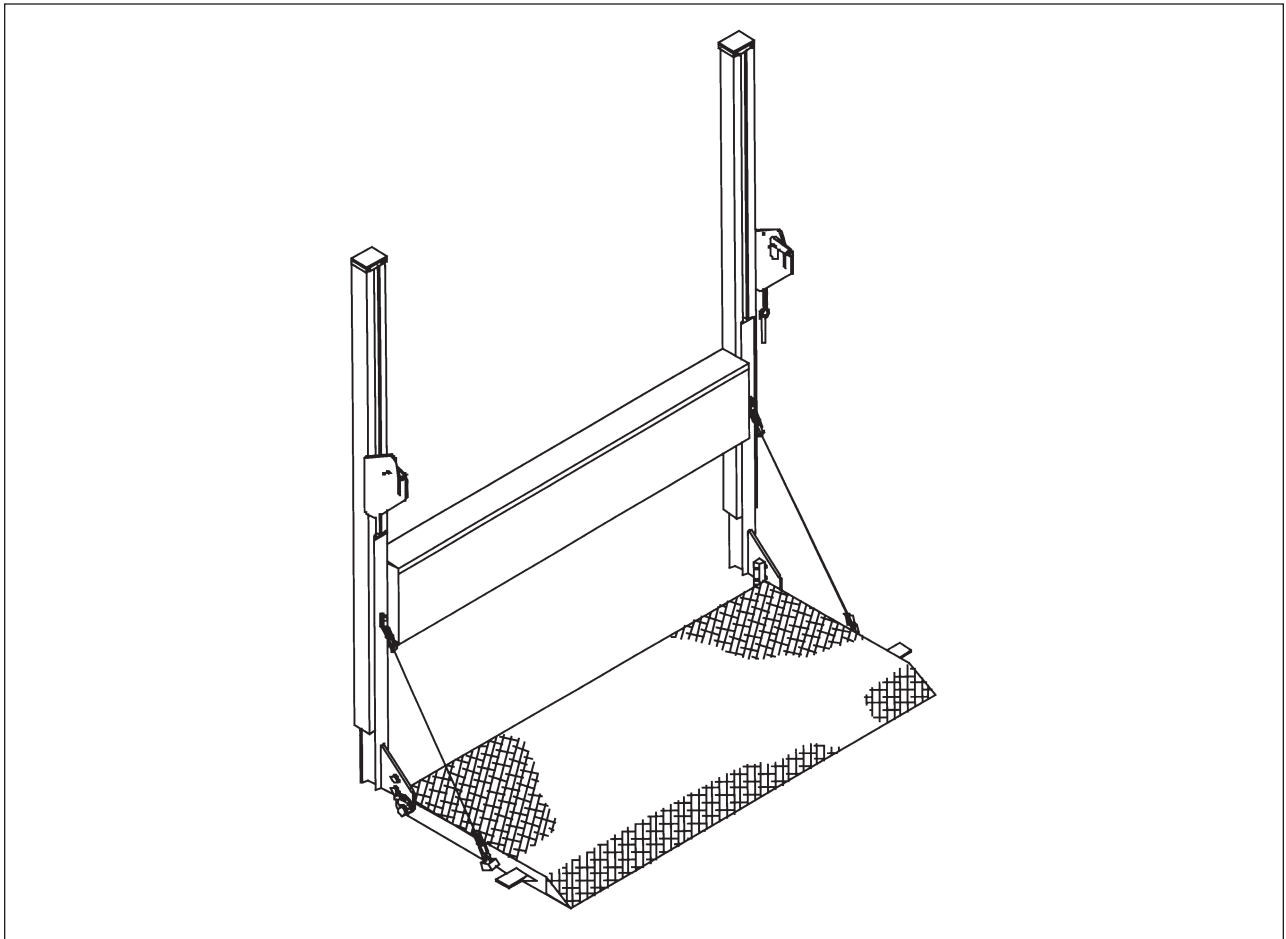


TVL *SERIES*

Railgates By THIEMAN

TVL 125, TVL 16, TVL 125A, TVL 16A OWNERS MANUAL/PARTS LIST



IMPORTANT! KEEP IN VEHICLE!

PLEASE READ AND UNDERSTAND THE CONTENTS OF THIS
MANUAL BEFORE OPERATING THE EQUIPMENT.



THIEMAN
TAILGATES, INC.

600 East Wayne Street
Celina, Ohio 45822

Phone: 419-586-7727 Fax: 419-586-9724

TABLE OF CONTENTS

	PAGE
PARTS ORDERING PROCEDURE.....	2
WARNINGS	3
OPERATING INSTRUCTIONS	5
MAINTENANCE GUIDE	6
SEMI-ANNUAL INSPECTION.....	8
INSPECTION AND LOCATION OF DECALS.....	9
MAIN FRAME ASSEMBLY.....	10,11
LIFTING CHAIN ASSEMBLY	12
SLIDER ASSEMBLY	13
STEEL PLATFORM ASSEMBLY	14
ALUMINUM PLATFORM ASSEMBLY	15
PLATFORM CHAIN ASSEMBLY	16
HOUSING COVERS	16
ELECTRICAL PICTORIAL.....	17
TROUBLESHOOTING GUIDE	18-20

FOR YOUR RECORDS

Model No. _____ Date Purchased _____

Serial No. _____

NOTE: When Ordering Parts Be Sure To Include This Information!

Your Thieman Tailgate is constructed of top quality material and is warranted to be free from defects in material and workmanship under normal use. With routine maintenance and proper operation this liftgate will provide long lasting service and dependability.

PARTS ORDERING PROCEDURE

When ordering parts, please include all the information asked below. If this information is not available, a complete written description or sketch of the required part will help Thieman identify and deliver the needed part to you.

THE FOLLOWING INFORMATION MUST BE INCLUDED:

1. Serial Number – Thieman TVL liftgate serial numbers can be found on the tag located on the inner side of the curb side frame rail
2. Model number and capacity
3. Platform size and material – steel or aluminum
4. Part number
5. Description
6. Quantity required



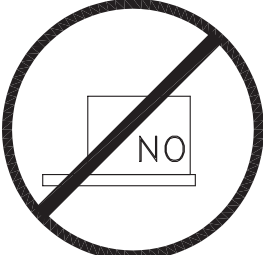
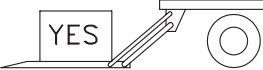
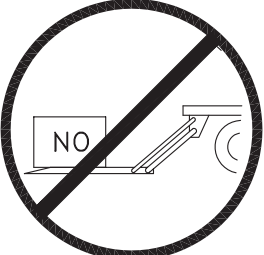
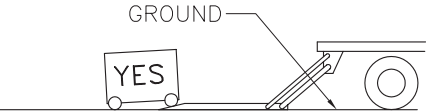
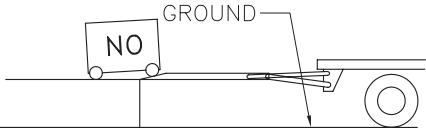
WARNING!

The following list of warnings are to be read before operating the TVL series liftgate.

- +Read this Owner's Manual and all of the decals on the liftgate BEFORE operating the liftgate.
- +All protective covers and guards must be in place before operating the liftgate.
- +DO NOT operate the liftgate if you do not have a thorough knowledge and understanding of the operation of the liftgate.
- +NEVER OVERLOAD THE LIFTGATE. The maximum rated capacity of the TVL series liftgate differs with each model as follows:
 - TVL 125 - 1250 lbs. Maximum Load
 - TVL 16 - 1600 lbs. Maximum Load
- +Never use the liftgate if it makes any unusual noises, has vibrations, or fails to operate freely.
- +Make certain that the area below the platform is clear before and at all times during operation of the liftgate.
- +Keep hands and feet clear of all pinch points.
- +The platform must be in the closed position and the cam latches properly pinned before transit.
- +Always load as close to the center of the platform and as close to the cylinder housing as possible. See figure 1.
- +Never operate lift trucks on or over any part of the platform.
- +Load and unload the platform from the rear and not from the side of the platform. Never remove the platform support chains to load or unload.
- +Only operate liftgate when vehicle is on level ground and parking brake is set.
- +Follow the maintenance guide as outlined in this manual.
- +DO NOT attempt any repairs unless you are a qualified and authorized THIEMAN distributor.
- +If any repairs, adjustments, or maintenance not covered in this manual are required, contact your nearest Thieman distributor or the factory.
- +DO NOT ride the liftgate, it is not intended as personnel lift.
- +This liftgate is intended for the use of loading and unloading cargo only, and it is not to be used for anything other than this.
- +DO NOT modify this liftgate. Altering this liftgate may cause serious personal injury or damage the liftgate and will void all warranties.

WATER LEVEL LOADING

When a maximum load is to be raised or lowered, this load must be centered on the load bearing platform, both front to back and side to side.

 WARNING		
<p>SIDE TO SIDE</p>   <p>DO NOT OFF CENTER LOAD</p>	<p>FRONT TO BACK</p>   <p>DO NOT OFF CENTER LOAD</p>	<p>GROUND</p>   <p>DO NOT LOAD OR UNLOAD WITH RAMP OFF GROUND</p>

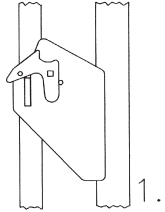
THERMAL DATA: To avoid overheating the motor do not operate this unit for more than 13 cycles/10 minutes with the maximum load. The motor then must be allowed to completely cool down to ambient temperature before cycling the lift again. This unit also has a 20% duty cycle, which means the liftgate can be cycled no more than 4 cycles/10 minutes constantly with a maximum load.

OPERATING INSTRUCTIONS

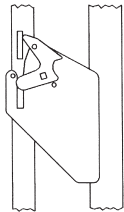
CAUTION:

Be sure to operate liftgate at a safe distance and never improperly load platform as this may cause personal injury or damage to the liftgate.

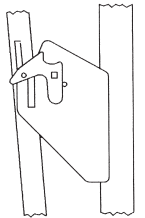
OPENING OF PLATFORM



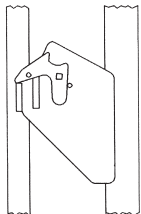
1.



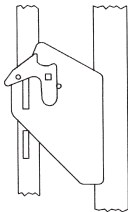
2.



3.



4.



5.

1. Remove latch pin and raise platform until it is completely out of the resting plates. Lower platform so guide plate rides over cam and is below resting plate. See Illustrations.

2. Lower platform to a comfortable height for unfolding. Unfold the platform manually to the horizontal position.

LOADING AND UNLOADING

3. Raise or lower platform to the desired level for loading or unloading.

CLOSING OF PLATFORM

4. Fold platform up manually and raise until guide plates raise locking cam and are free to drop into resting plates.

LIFTGATE TRANSIT

5. Lower platform until guide plates are in resting plates completely. Push latch pin in hole through resting plate and cam to secure platform.

MAINTENANCE GUIDE

The following inspection and maintenance operations should be performed at the recommended intervals or anytime the liftgate shows signs of abuse, and improper or abnormal operation.

MONTHLY INSPECTION AND MAINTENANCE

Operate the liftgate throughout its entire operational cycle and check the following:

1. Check that there are no unusual noises or vibrations.
2. Check that the platform is level when raised to bed height. If adjustments are necessary, this can be done by adjusting nuts (A) on U-bolt (B) on platform block (C). See Figure 2.

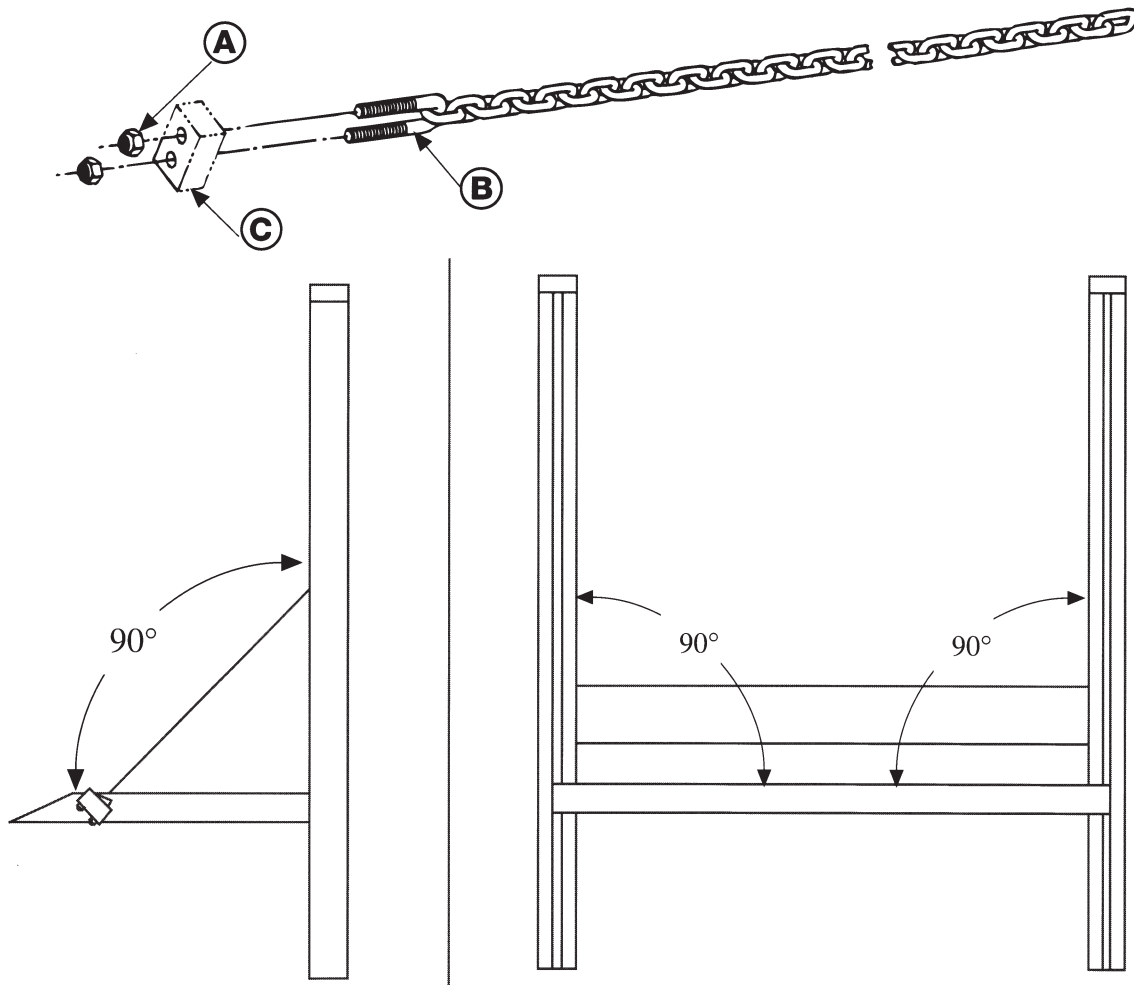


FIG. 2.

3. Check for apparent damage to the liftgate such as bent or distorted members, any cracked welds, which may have resulted from overloading or abuse.
4. Check for any excessive wear in the following areas:
 - A. Roller and pin assemblies
 - B. Platform and hinge pins and pivot plates
 - C. Platform support chains and chain anchor points
5. Check that all platform pivot pins are in place and retained by their proper retainers.
6. Check that all protective covers and guards are properly in place and secured.
7. Check for oil leaks in these areas:
 - A. Lift cylinder
 - B. Hydraulic hose - replace if it shows signs of wear or cracking.
 - C. Hydraulic fittings - tighten or replace as may be required to stop leakage.
8. Check the oil level in the hydraulic reservoir located in the cylinder housing. With the platform open and at ground level, the oil should be within 1/2 inch from the top of the reservoir.
See chart below.

HYDRAULIC FLUID CHART	
Temperature Range	Acceptable Fluids
-75 to 165°F	Exxon Unavis J-26
-20 to 130°F	Dexron III Exxon Superflo ATF Shell Donax(R) TG
-50 to 80°F	Shell Aero Fluid 4 Mobil Aero HFA Exxon Unavis J-13 MIL H-5606

9. Check that all wiring and battery cable connections are tight and free of corrosion.

10. Lubrication of the TVL series gate should be as follows for all user conditions:

<u>Area of Tailgate</u>	<u>Type of Lubrication</u>	<u>*Frequency</u>
Slider Rails	SAE 10 to SAE 20 oil	50 cycles
Lift Chain	SAE 10 to SAE 20 oil	100 cycles
Chain Anchor Links	SAE 10 to SAE 20 oil	100 cycles
Locking Cams	SAE 10 to SAE 20 oil	100 cycles

*NOTE: TVL gates which see less than 50 cycles per week must be lubricated in the areas listed above no less than once a week. Once lubricated, run the gate up and down through one complete cycle to spread lubricant more evenly.

11. Check the pump relief pressure and also the motor amperage at this pressure. These values should be as follows:

Model	Max Amp Draw	Relief Pressure (psi)
TVL125	145	1950
TVL16	160	2500

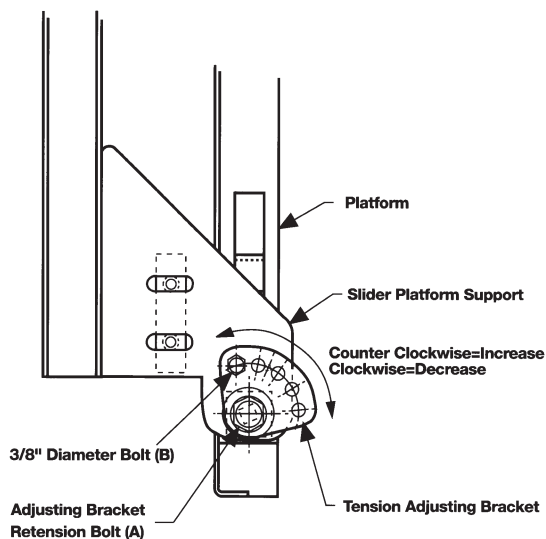


Fig.3

12. Torsion bar adjustment (See figure 3).

- Place platform in stowed (vertical) position.
- Remove 5/8" diameter bolt (A) from center of tension adjusting bracket.
- Place 1/2" square breaker bar in the square hole of the adjusting bracket pin.
- Turn breaker bar clockwise to relieve tension on 3/8" diameter bolt (B) and remove it from the bracket.
- To increase tension, rotate bracket counterclockwise until desired tension is reached. Line up hole in bracket to hole in slider platform support and replace bolt (B).

Semi-Annual Inspection

- Perform the procedures outlined in the "Monthly Inspection and Maintenance."
- Inspect pump motor by:
 - Disconnecting battery cable
 - Remove motor end cover
 - Examine the armature brushes for wear. (Brushes should be replaced if they are less than 1/8" long).
 - Clean all residue out from inside of the motor housing.
 - Apply several drops of light weight machine oil to the armature shaft bearing in the motor end cover and reassemble the motor end cover.

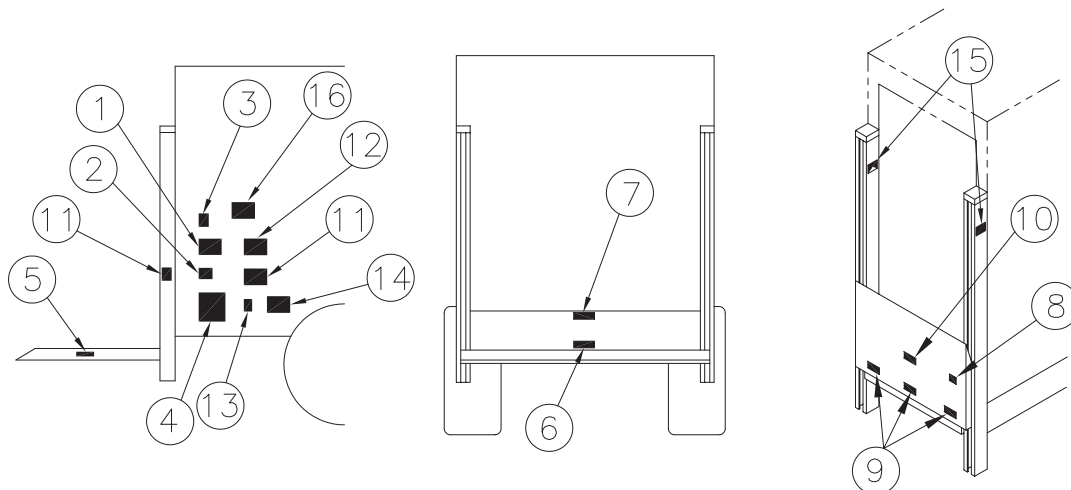
3. If hydraulic oil in the reservoir is dirty:
 - A. Unfold platform and lower platform to the ground so the cylinder is fully retracted.
 - B. Drain the oil from the hydraulic system and flush the entire system.
 - C. Remove the reservoir from the pump and clean the suction line filter. Also clean out any contaminants from the reservoir. Remount the reservoir when completed.
 - D. Replace the oil as outlined in Section 8 under Monthly Maintenance and Inspection.

INSPECTION AND LOCATION OF DECALS

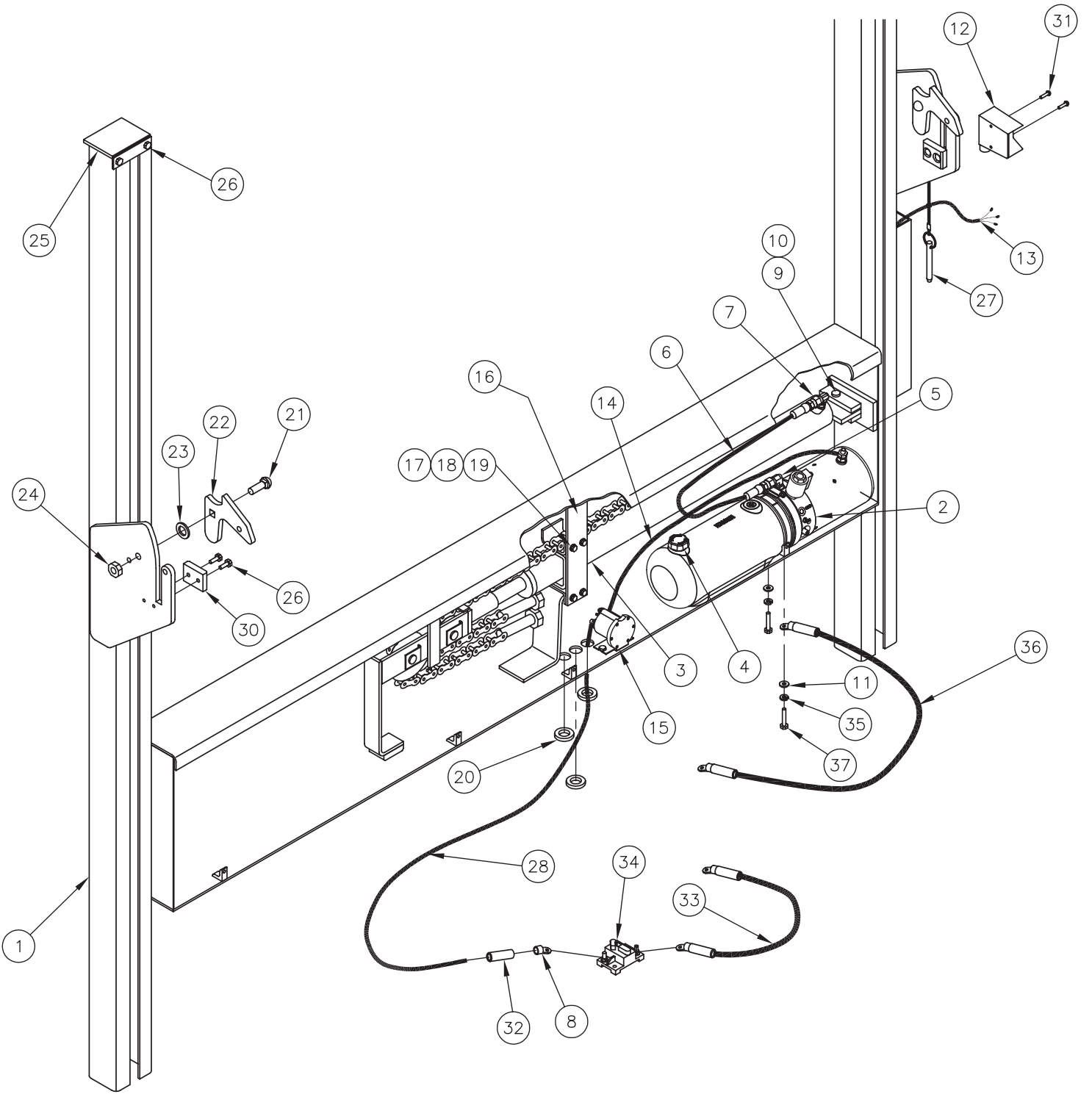
Inspect all decals listed below to be certain that they are in the proper location and they are legible.

ALL DECALS MUST BE IN PLACE AND LEGIBLE OR ALL WARRANTIES ARE VOID!

Item	Part Name	Part Number
1	Warning Decal	4671050
2	PTO Decal	4650140
2	Fast Idle Decal	4650150
3	Danger Decal	4609
4	Operating Decal	4650780
5	Capacity Decal 1250#	4650060
5	Capacity Decal 1600#	4650750
6	Warning Decal	4650790
7	Warning Decal	4650760
8	Caution Decal	4650770
9	Reflector(3)	5705
10	Thieman Nameplate	4650801
11	Toggle Switch Decal	4650820
12	Wiring Decal	4617
13	Warning Decal-High Pressure	4620
14	Lubrication Decal	4662
15	Lube Location Decal (4)	4663
16	Urgent Warning Decal	4650530

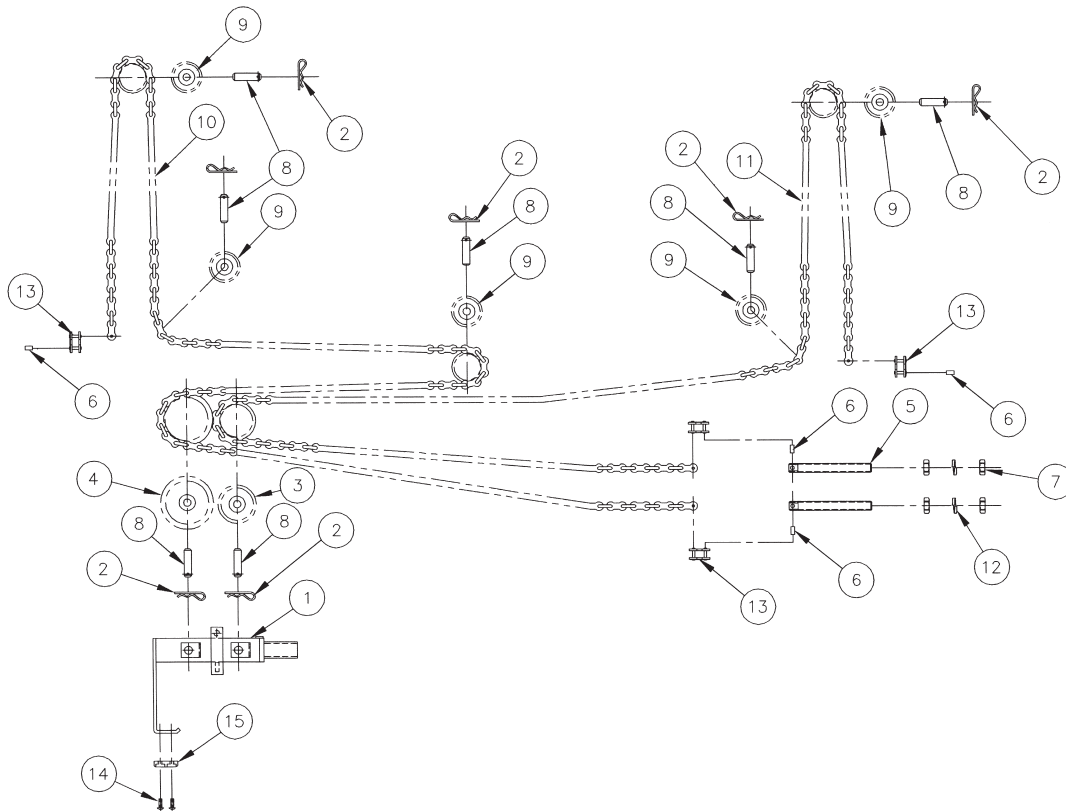


MAIN FRAME ASSEMBLY



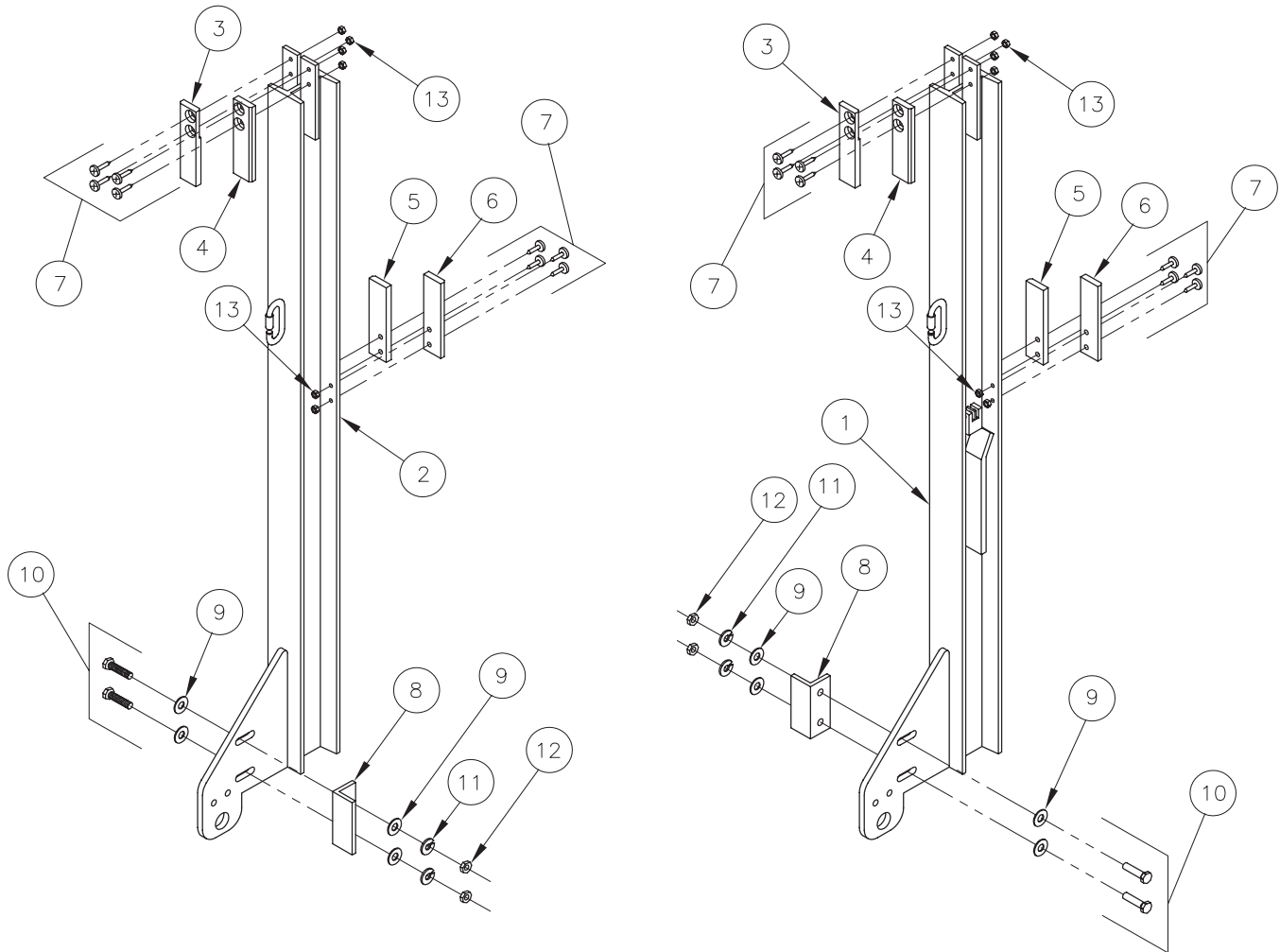
Item	Part Number	Description	Gate Model Qty.			
			125	125A	16	16A
1	3140-001	Main frame 80 (56" BH)	1		1	
1	3140-002	Main frame 90 (56" BH)	1		1	
1	3140-003	Main frame 95 (56" BH)	1		1	
1	3140-004	Main frame 100 (56" BH)	1		1	
1	3140-005	Main frame 80 (46" BH)		1		1
1	3140-006	Main frame 90 (46" BH)		1		1
1	3140-007	Main frame 95 (46" BH)		1		1
1	3140-008	Main frame 100 (46" BH)		1		1
1	3140-009	Main frame 80 (37" BH)		1		1
1	3140-010	Main frame 90 (37" BH)		1		1
1	3140-011	Main frame 95 (37" BH)		1		1
1	3140-012	Main frame 100 (37" BH)		1		1
2	4473	Power unit	1	1	1	1
3	42004	Cylinder assembly	1	1	1	1
4	4420410	Breather cap	1	1	1	1
5	4930-001	MJ-MAORB 90°	1	1	1	1
6	4951-002	.25 Hose assembly	1	1	1	1
7	4931-001	Restrictor MJ-MAORB 90°	1	1	1	1
8	4350	Cable lug	1	1	1	1
9	8101-001	Clevis pin	1	1	1	1
10	5700022	Hairpin cotter	1	1	1	1
11	8120388	Flatwasher .38	2	2	2	2
12	31447	Toggle switch Asm	1	1	1	1
13	4301290	Wire harness	1	1	1	1
14	4318-002	Battery cable	1	1	1	1
15	4477	Solenoid	1	1	1	1
16	31558	Cylinder Retainer Weld	1	1	1	1
17	8180022	Screw .25 x 1	4	4	4	4
18	8120380	Lockwasher .25	4	4	4	4
19	8120375	Nut .25	4	4	4	4
20	5701960	Grommet	3	3	3	3
21	8456922	.50 x 1.50 carriage bolt	2	2	2	2
22	2103160	Locking cam	2	2	2	2
23	8120396	.50 Flatwasher	2	2	2	2
24	8103-021	.50 Lock nut	2	2	2	2
25	3109577	Sprocket housing assembly	2	2	2	2
26	5793010	.25 x .75 Screw	8	8	8	8
27	3109140	Latch cable assembly	2	2	2	2
28	4300030	Battery cable 25'	1	1	1	1
29	8180126	Screw .38 x 1.50	2	2	2	2
30	5703	Pad	2	2	2	2
31	8111-005	Screw #10 x .75	2	2	2	2
32	4319-002	Heat Shrink	1	1	1	1
33	4318-001	Battery cable #2 x 2'	1	1	1	1
34	4301770	Circuit breaker	1	1	1	1
35	8120382	Lockwasher .38	2	2	2	2
36	4318-003	Cable #2 x 5'	1	1	1	1

LIFTING CHAIN ASSEMBLY



Item	Part Number	Description	Gate Model Qty.			
			125	125A	16	16A
1	31528	Pusher weld	1	1	1	1
2	5700022	Hairpin cotter	7	7	7	7
3	31214-002	15T Sprocket assembly	1	1	1	1
4	31214-001	21T Sprocket assembly	1	1	1	1
5	5084-002	Tension rod	2	2	2	2
6	2504030	Chain pin bushing	4	4	4	4
7	8219758	.75 Jam nut	4	4	4	4
8	5067	Pin	7	7	7	7
9	31214-003	13T Sprocket assembly	5	5	5	5
10	4100-002	Chain SS 90 (56" BH)	1		1	
10	4100-003	Chain SS 95 (56" BH)	1		1	
10	4100-004	Chain SS 100 (56" BH)	1		1	
10	4100-006	Chain SS 90 (37", 46" BH)		1		1
10	4100-007	Chain SS 95 (37", 46" BH)		1		1
10	4100-008	Chain SS 100 (37", 46" BH)		1		1
10	4100-016	Chain SS 80 (56" BH)	1		1	
10	4100-017	Chain SS 80 (37", 46" BH)		1		1
11	4100-001	Chain CS 90,95,100 (56" BH)	1		1	
11	4100-005	Chain CS 90,95,100 (37", 46" BH)		1		1
11	4100-020	Chain CS 80 (56" BH)	1		1	
11	4100-021	Chain CS 80 (37", 46" BH)		1		1
12	8106-005	.75 Lockwasher	2	2	2	2
13	4100320	Connecting link	4	4	4	4
14	8449646	Self tap screw	2	2	2	2
15	5703	Wear pad	1	1	1	1

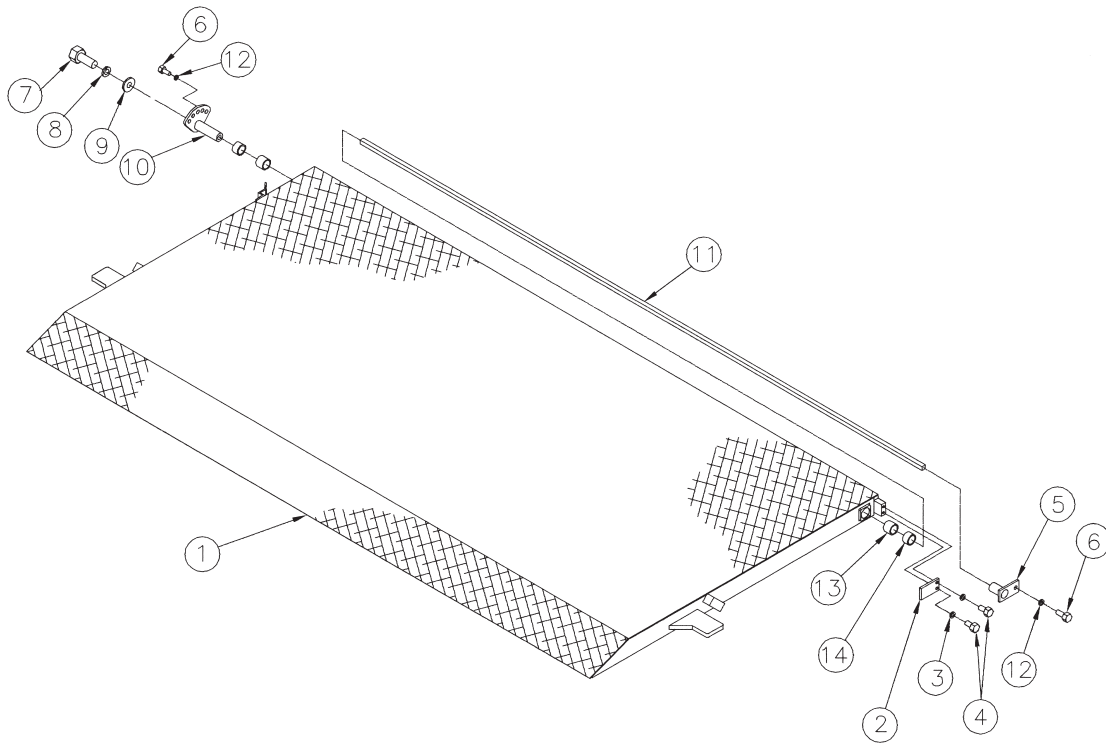
SLIDER ASSEMBLY



Item	Part Number	Description	Gate Model Qty.			
			125	125A	16	16A
1	31540-001	Slider weldment RH	1	1	1	1
1	31540-002+	Slider weldment RH	1	1	1	1
2	31541-001	Slider weldment LH	1	1	1	1
3	5702201	Wear pad LH upper	2	2	2	2
4	5702202	Wear pad RH upper	2	2	2	2
5	5702241	Wear pad LH lower	2	2	2	2
6	5702242	Wear pad RH lower	2	2	2	2
7	8109-012	Screw .25 x .75	16	16	16	16
8	2013	Adjustment angle	2	2	2	2
9	8120388	.38 Flatwasher	8	8	8	8
10	8180126	.38-16 x 1.50 Screw	4	4	4	4
11	8120382	.38 Lockwasher	4	4	4	4
12	8120377	.38-16 Nut	4	4	4	4
13	8103-019	.25 Locknut	16	16	16	16

+Used with aluminum platforms requiring a spring assembly.

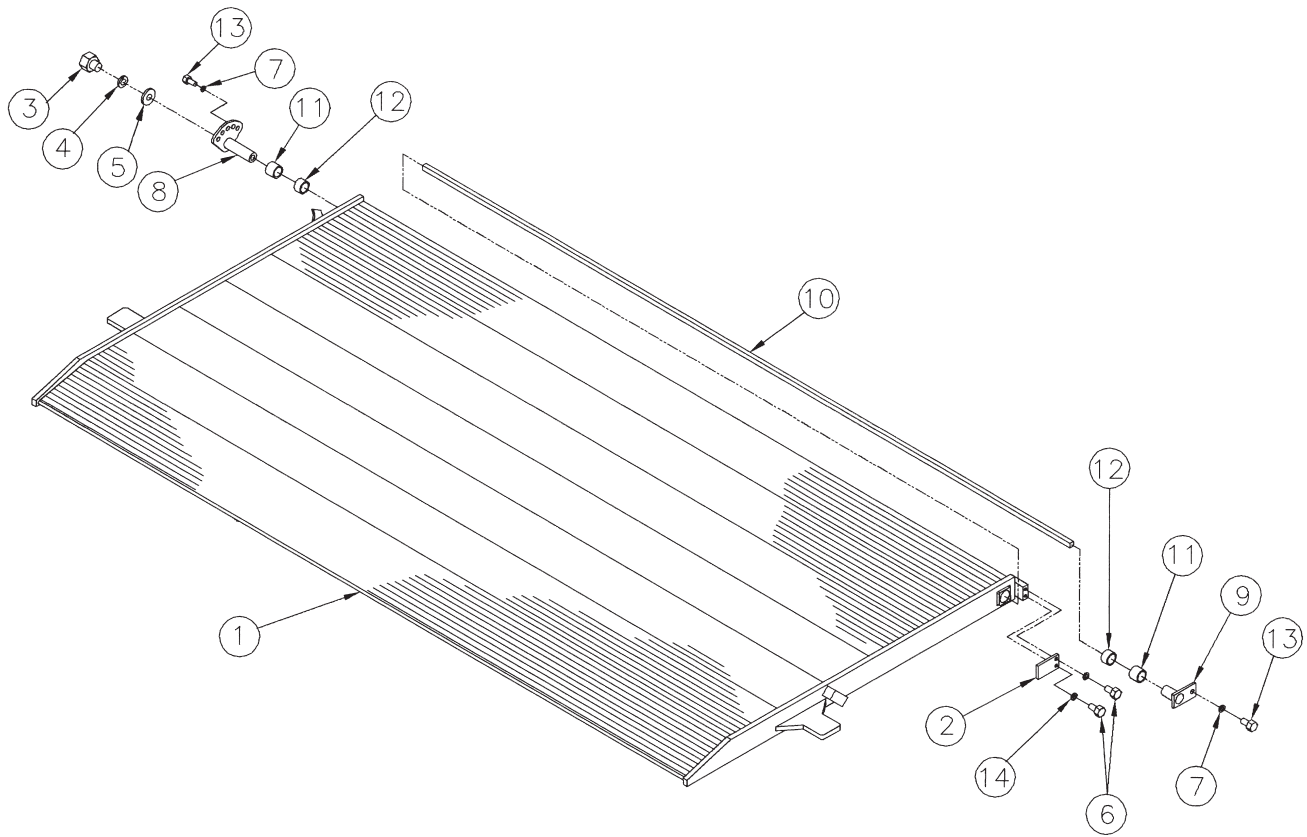
STEEL PLATFORM ASSEMBLY



Item	Part Number	Description	Gate Model Qty.			
			125	125A	16	16A
1	3408-001	7530 Platform	1	1	1	1
1	3408-002	7536 Platform	1	1	1	1
1	3408-003	7542 Platform	1	1	1	1
1	3408-004	8530 Platform	1	1	1	1
1	3408-005	8536 Platform	1	1	1	1
1	3408-006	8542 Platform (see note 1)	1	1	1	1
1	3408-007	9030 Platform	1	1	1	1
1	3408-008	9036 Platform	1	1	1	1
1	3408-009	9042 Platform (see note 1)	1	1	1	1
1	3408-010	9530 Platform	1	1	1	1
1	3408-011	9536 Platform	1	1	1	1
1	3408-012	9542 Platform (see note 1)	1	1	1	1
2	2329	Stop	1	1	1	1
3	8120380	.25 Lockwasher	2	2	2	2
4	8180022	.25 x 1.00 Screw	2	2	2	2
5	3199	Pin retainer	1	1	1	1
6	8180120	.38 x .75 Screw	2	2	2	2
7	8271713	.62 x .75 Screw	1	1	1	1
8	8121574	.62 Lockwasher	1	1	1	1
9	8130999	.62 Flatwasher	1	1	1	1
10	3108980	Adjusting bracket	1	1	1	1
11	5101-001	Torsion bar 85" platform	1	1	1	1
11	5101-002	Torsion bar 90" platform	1	1	1	1
11	5101-003	Torsion bar 95" platform	1	1	1	1
11	5101-004	Torsion bar 75" platform	1	1	1	1
12	8120382	.38 Lockwasher	2	2	2	2
13	5504-001	Bushing	2	2	2	2
14	5504-005	Bushing	2	2	2	2

Notes: 1. Requires one spring assembly and appropriate RH slider.

ALUMINUM PLATFORM ASSEMBLY



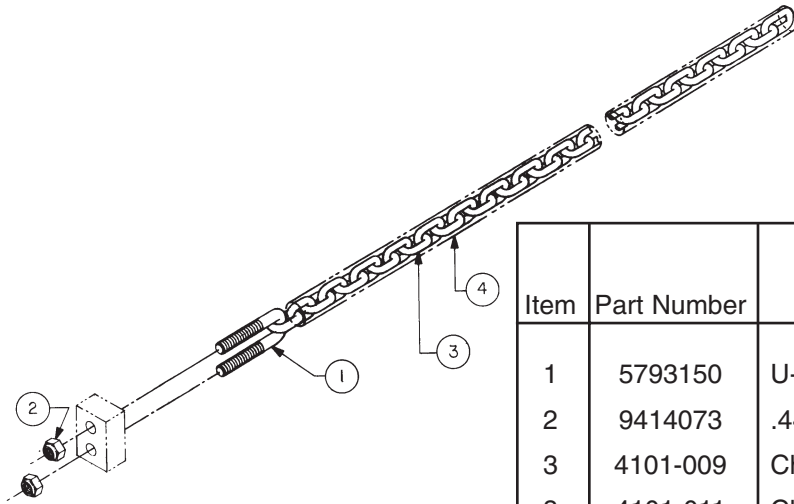
Item	Part Number	Description	Gate Model Qty.			
			125	125A	16	16A
1	3407-001	7530 Platform	1	1	1	1
1	3407-002	7536 Platform	1	1	1	1
1	3407-003	7542 Platform	1	1	1	1
1	3407-004	7548 Platform	1	1	1	1
1	3407-005	7554 Platform	1	1	1	1
1	3407-006	7560 Platform	1	1	1	1
1	3407-007	7566 Platform	1	1	1	1
1	3407-008	8530 Platform	1	1	1	1
1	3407-009	8536 Platform	1	1	1	1
1	3407-010	8542 Platform	1	1	1	1
1	3407-011	8548 Platform	1	1	1	1
1	3407-012	8554 Platform	1	1	1	1
1	3407-013	8560 Platform	1	1	1	1
1	3407-014	8566 Platform (see note 1)	1	1	1	1
1	3407-015	9030 Platform	1	1	1	1
1	3407-016	9036 Platform	1	1	1	1
1	3407-017	9042 Platform	1	1	1	1
1	3407-018	9048 Platform	1	1	1	1
1	3407-019	9054 Platform	1	1	1	1
1	3407-020	9060 Platform	1	1	1	1
1	3407-021	9066 Platform (see note 1)	1	1	1	1
1	3407-022	9530 Platform	1	1	1	1

Item	Part Number	Description	Gate Model Qty.			
			125	125A	16	16A
1	3407-023	9536 Platform	1	1	1	1
1	3407-024	9542 Platform	1	1	1	1
1	3407-025	9548 Platform	1	1	1	1
1	3407-026	9554 Platform	1	1	1	1
1	3407-027	9560 Platform (see note 1)	1	1	1	1
1	3407-028	9566 Platform (see note 1)	1	1	1	1
2	2329	Stop	1	1	1	1
3	8271713	.62 x .75 Screw	1	1	1	1
4	8121574	.62 Lockwasher	1	1	1	1
5	8130999	.62 Flatwasher	1	1	1	1
6	8109-001	.25 x 1.00 Screw SS	2	2	2	2
7	8120382	.38 Lockwasher	2	2	2	2
8	3108980	Adjusting bracket	1	1	1	1
9	3199	Pin retainer	1	1	1	1
10	5101-001	Torsion bar 85" platform	1	1	1	1
10	5101-002	Torsion bar 90" platform	1	1	1	1
10	5101-003	Torsion bar 95" platform	1	1	1	1
10	5101-004	Torsion bar 75" platform	1	1	1	1
11	5504-001	Bushing	2	2	2	2
12	5504-005	Bushing	2	2	2	2
13	8180120	.38 x .75 Screw	2	2	2	2
14	8106-002	.25 Lockwasher SS	2	2	2	2

Notes:

- 1. Requires one spring assembly and appropriate RH slider.

PLATFORM CHAIN ASSEMBLY

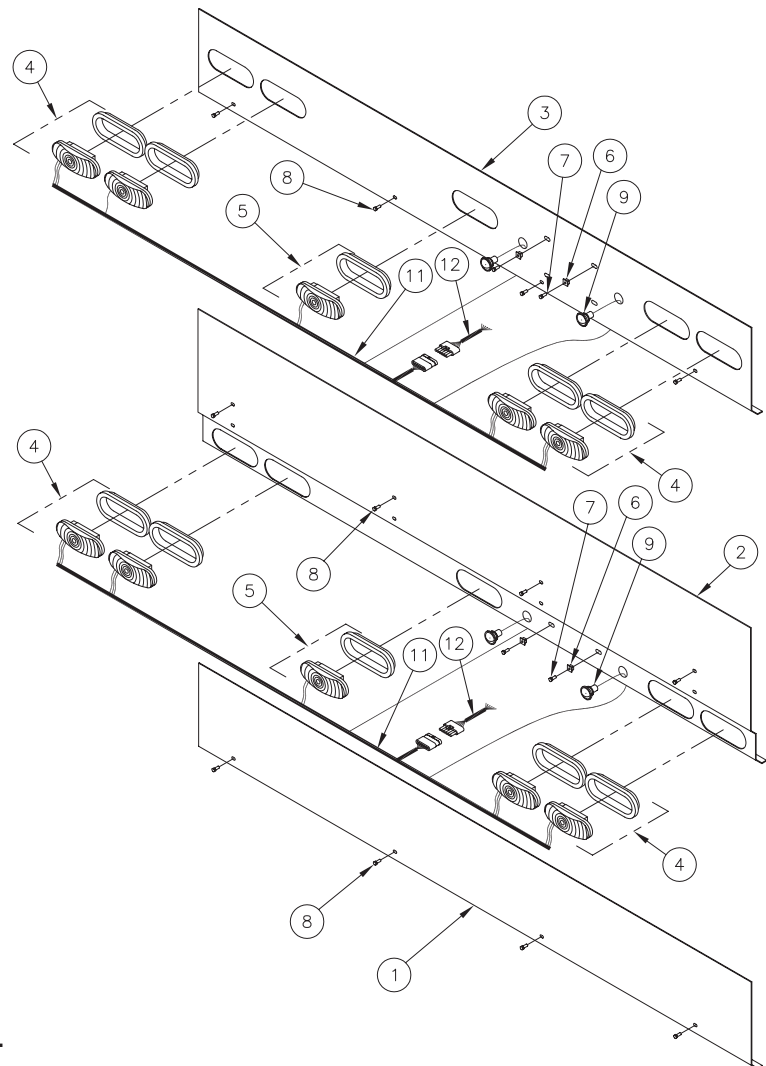


Item	Part Number	Description	Gate Model Qty.			
			125	125A	16	16A
1	5793150	U-Bolt	2	2	2	2
2	9414073	.44 Locknut	4	4	4	4
3	4101-009	Chain 48,54" deep alum.	2	2	2	2
3	4101-011	Chain 60,66" deep alum.	2	2	2	2
3	4101-012	Chain-steel,30,36,42" alum.	2	2	2	2
4	5702300	Protective sleeve	2	2	2	2

HOUSING COVERS

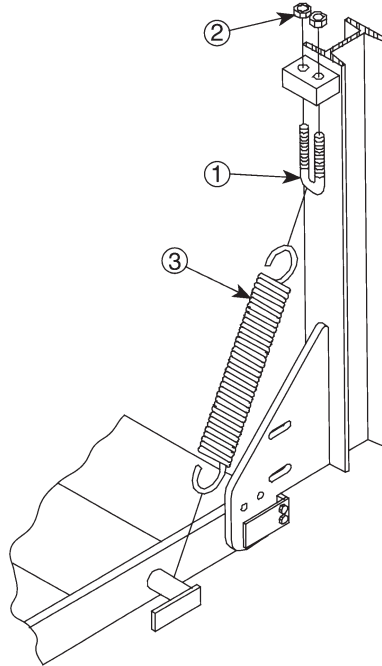
Item	Part Number	Description	Gate Model Qty.			
			125	125A	16	16A
1	2714-001	Steel Cover 80	1	1	1	1
1	2714-002	Steel Cover 90	1	1	1	1
1	2714-003	Steel Cover 95	1	1	1	1
1	2714-004	Steel Cover 100	1	1	1	1
2	2715-001	Steel Cover 80 W/Lower Lights*	1	1	1	1
2	2715-002	Steel Cover 90 W/Lower Lights*	1	1	1	1
2	2715-003	Steel Cover 95 W/Lower Lights*	1	1	1	1
2	2715-004	Steel Cover 100 W/Lower Lights*	1	1	1	1
3	27158-001	Steel Cover 80 W/Upper Lights	1	1	1	1
3	27158-002	Steel Cover 90 W/Upper Lights	1	1	1	1
3	27158-003	Steel Cover 95 W/Upper Lights	1	1	1	1
3	27158-004	Steel Cover 100 W/Upper Lights	1	1	1	1
3	2711411	Aluminum Cover 80 W/Upper Lights	1	1	1	1
3	2711412	Aluminum Cover 90 W/Upper Lights	1	1	1	1
3	2711413	Aluminum Cover 95 W/Upper Lights	1	1	1	1
3	2711414	Aluminum Cover 100 W/Upper Lights	1	1	1	1
4	4301320	Stop/Turn/Taillight	4	4	4	4
5	4301330	Back-up light	1	1	1	1
6	5702270	Plastic square nut	2	2	2	2
7	5702280	Screw	2	2	2	2
8	5793010	.25 x .62 Screw	4	4	4	4
9	4300550	License plate light	2	2	2	2
10	5792020	Gasket (not shown)	1	1	1	1
11	4308	Taillight Wiring Harness	1	1	1	1
12	4368	Taillight Wiring Harness	1	1	1	1

*Not for use on Low Bed applications



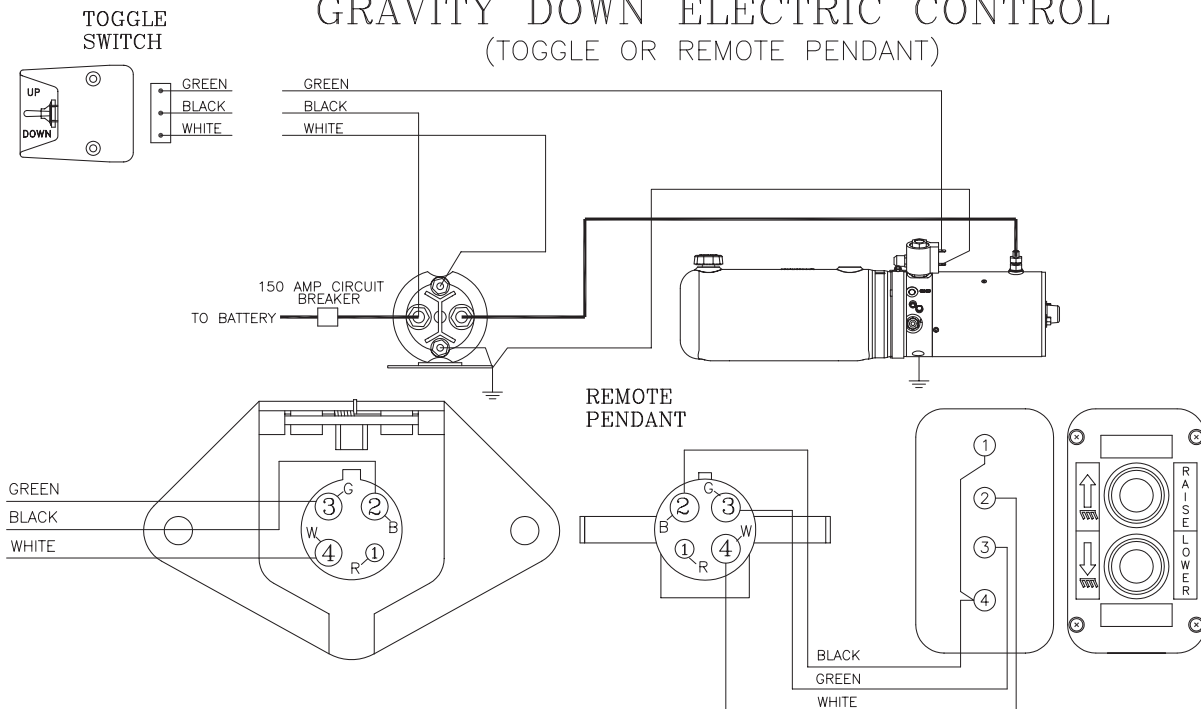
SPRING ASSEMBLY

Item	Part Number	Description	Qty.
1	5793150	U-BOLT	1
2	9414073	Locknut	2
3	5101120	Spring	1



ELECTRICAL PICTORIAL

GRAVITY DOWN ELECTRIC CONTROL (TOGGLE OR REMOTE PENDANT)



TROUBLESHOOTING GUIDE TVL125/16ET

- Test Equipment:**
1. 0-5000 psi pressure gauge
 2. DC voltmeter/ohm meter
 3. DC amp meter
 4. standard mechanics tools

Note: Please refer to the electrical diagrams and hose connection drawings in the liftgate's owners manual when troubleshooting. This guide is only for standard Thieman liftgates. Special liftgates with options other than those in the owner's manual will require special diagrams for troubleshooting. Read and understand this entire guide completely before doing any troubleshooting. Certain listed problems may be related to other problems listed so a comprehensive knowledge is required before proceeding.

1. Problem – Pump motor will not run in the raise mode

- Causes –
- a. Tripped circuit breaker
 - b. Defective or undercharged battery(ies)
 - c. Improper battery cable connection or improper ground connection
 - d. Defective or improperly wired raise switch
 - e. Defective or improperly wired solenoid start switch
 - f. Defective pump motor
- Corrections –
- a. Reset the circuit breaker located within 2ft of the liftgate supply battery(ies).
 - b. The “at rest” voltage for the batteries without the engine running and under no load should be at least 12.5V. The minimum voltage between the motor stud and ground is 9V at maximum conditions. If proper voltage is not present, charge or replace the batteries. The battery(ies) on the vehicle should be that which has a minimum 150 amp reserve capacity.
 - c. Trace battery and ground cable connections to locate improper connection(s). Make sure the ground cable is installed going from the pump mounting screws to bare metal on the truck frame. The ground cable from the batteries to the frame must be a heavy 2ga. cable and that is connected to bare metal on the frame. There must be 12.5V present at the large terminal on the motor start solenoid where the 2ga. cable from the batteries is connected. Replace any damaged cables and repair any bad connections.
 - d. Check for voltage on the black wire at the control switch. If no voltage is present the black wire from the motor start solenoid is loose or broken and needs repaired. If voltage is present then check for voltage at the white wire on the switch with the switch in the “RAISE” position. If no voltage is present, replace the switch.
 - e. Check for voltage on the white wire at the motor start switch when the switch is activated. If no voltage exists the white wire is loose or broken between the switch and the motor start solenoid. Check that the ground wire on the start solenoid is connected properly and there are no bad connections. If there is voltage on the white wire and the coil does not energize or if there is no voltage present at the motor terminal then replace the start switch.
 - f. With the switch activated in the “RAISE” position and the motor start solenoid is activated, check for voltage at the motor terminal. If voltage is present and the motor is not running, replace the motor.

2. Problem – Liftgate will not raise to bed with a load and the pump motor running

- Causes –
- a. Low hydraulic fluid
 - b. Overload condition
 - c. Improperly adjusted or defective main relief valve
 - d. Lift cylinder is bypassing, liftgate is drifting down
 - e. Broken hydraulic line

- f. Clogged or disconnected suction line
- g. Defective pump

Corrections -

- a. Make sure the reservoir has the proper amount of fluid. Check for the fluid line through the plastic reservoir. The hydraulic fluid should be within 1/2" of the top of the reservoir with the liftgate in the lowered position. Fill with Dexron III automatic transmission fluid.
- b. The power unit on the TVL125/16 is equipped with a lifting relief valve to prevent overloading of the liftgate. The relief setting for the TVL's are:
TVL125 – 1950 psi
TVL16 – 2500 psi
- c. See section "c" above for relief valve setting. Plumb a pressure gauge into the high pressure circuit of the liftgate. Remove all loads from the liftgate's platform. Engage the "RAISE" switch until the liftgate is fully raised. Keep the "RAISE" switch engaged until the pump bypasses through the relief valve and note the pressure on the gauge at this time. If the rated relief pressure is not present during relief, adjust the high pressure relief valve setting as necessary. If the relief pressure is not attainable the relief valve must be cleaned and/or replaced or the pump is defective. See part "g" below.
- d. If the liftgate will not raise with a load on the platform but empty is raising slowly or only partially, the cylinder may be bypassing. To check for a bypassing cylinder do the following. Lower the gate to the ground to relieve all pressure from the cylinder. Disconnect the cylinder from the pusher. Press the "RAISE" switch until the cylinder is fully extended and then for 15 to 20 seconds and watch for a steady stream of fluid coming out of the breather port. Replace or rebuild any cylinders with fluid coming out of the breather port, as this indicates fluid is bypassing the piston seals on the cylinder. Reconnect rebuilt or replaced cylinder and hoses as before.
- e. Broken or punctured hydraulic lines and fittings must be replaced with care to avoid injury from high pressure oil streams.
- f. With the liftgate at the ground, disconnect the power unit and remove the reservoir. Check to see if the suction tube is clogged or has fallen out of the pump base. Clean the screen or reattach the suction tube as required.
- g. If all else fails replace the power unit, it is probably worn out.

3. Problem – Liftgate will not lower

Causes -

- a. Defective lowering solenoid coil or valve
- b. Clogged or defective hydraulic lines, fittings or flow controls

Corrections -

- a. With the "LOWER" switch engaged check for voltage on the green wire at the switch. If no voltage is present replace the switch. If voltage is present, with the "LOWER" switch engaged, check for voltage at the green wire on the lower solenoid valve coil terminal. If no voltage is present, the green wire from the "LOWER" switch is loose or broken and needs replaced. If there is voltage (minimum of 9.5 volts) and the valve is not opening to allow the gate to lower, either the lower coil is bad or the entire lower coil/valve assembly is bad. To check to see if the coil is defective, remove the green wire from the spade terminal on the lower coil and check for continuity between the spade terminal and the nut, which holds the coil on the valve stem. If continuity does not exist, replace the defective coil, otherwise replace the defective lower coil/valve assembly.
- b. Remove any obstruction in the hoses, fittings or flow controls or replace any hose, fitting or flow control, which does not allow fluid to flow through freely.

4. Problem – Liftgate raises slowly – The raise speed of the TVL125/16 on a 56" bed height while empty at 70° F is approximately 18-20 seconds. The raise speed loaded for the same conditions is approximately 28-30 seconds.

- Causes -
- a. Overload condition
 - b. Cold weather
 - c. Partially blocked suction screen
 - d. Lift cylinder is bypassing
 - e. Improperly adjusted or defective raise relief valve
 - f. Low voltage and/or bad ground
 - g. Worn out pump

- Corrections –
- a. See section 2b
 - b. Refer to Owner’s Manual for alternative oils to use for cold weather conditions.
 - c. Remove reservoir and clean or replace suction screen as necessary.
 - d. See section 2d
 - e. See section 2c
 - f. The minimum voltage between the motor stud and ground is 9.5 volts at maximum load conditions. See section 1b and 1c.
 - g. After all other corrections are performed it will be necessary to replace the pump.

5. Problem – Foamy oil flowing from reservoir breather

- Causes -
- a. Air is present in the system

- Corrections -
- a. This can occur if air enters the system if the fluid level is low, see problem 2, part a, or if the suction tube is disconnected, see problem 2, part f. Also air may enter through fittings, which are not tightened properly, so check for any leaks around fittings or hoses. Once the source of the air is determined, the cylinder must be bled of all air. Most air can be removed from the system by lowering the gate to the ground to relieve all pressure from the cylinder, unpinning the cylinder and cycling it back and forth several times from fully extended to fully retracted and allowing the pump to bypass through the relief valves for a few seconds in each direction.

6. Problem - Liftgate chatters when raising or lowering

- Causes -
- a. Inadequate lubrication between sliders and rails
 - b. Rail wear surfaces are dirty & contaminated
 - c. Wear pads are worn down or embedded with contaminants
 - d. Wear pad mounting screws are loose
 - e. Platform chains are not in equal tension

- Corrections -
- a. The rails should be lubricated on a regular basis. See the Owner’s Manual for the type and frequency of lubrication. Use lubrication holes at the top of each rail for optimum lubrication dispersal. **DO NOT USE GREASE!**
 - b. If lubrication of the rails does not eliminate the chattering it may be necessary to completely clean the rails and slider wear pads. The sliders should be removed from the rails to thoroughly clean the rails and pads. Use a degreaser to accomplish this. Lubricate the pads and rails before reassembly. See step c.
 - c. If the wear pads are worn down to the mounting screw heads or if they are embedded with contaminants it will be necessary to replace them at this time.
 - d. Apply a thread locker loctite to the threads of the screws and tighten.
 - e. Adjust the platform support chains so they are in equal tension.

If you have any questions or problems that are not covered in this guide please call Thieman’s Engineering Department at 1-800-524-5210.