

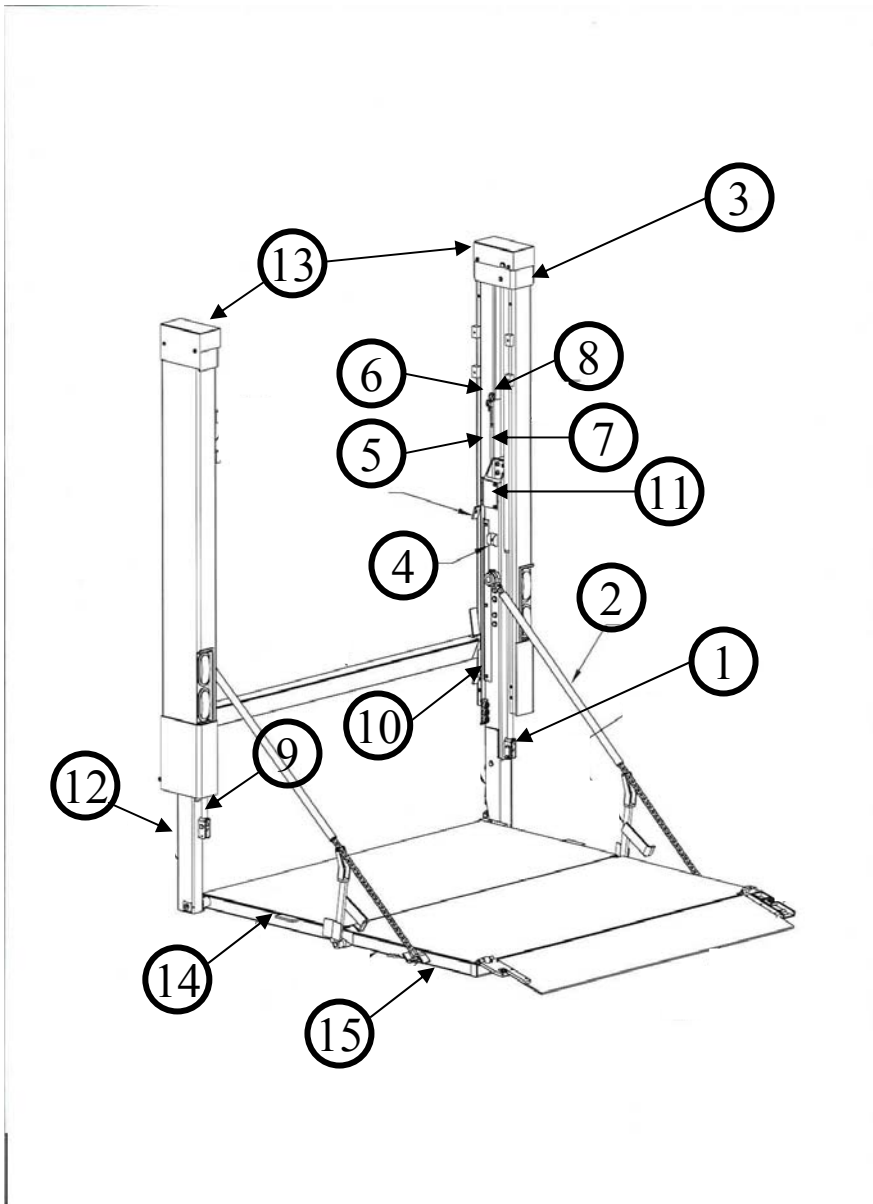


# DH Series

Direct Hydraulic Twin Column Liftgates

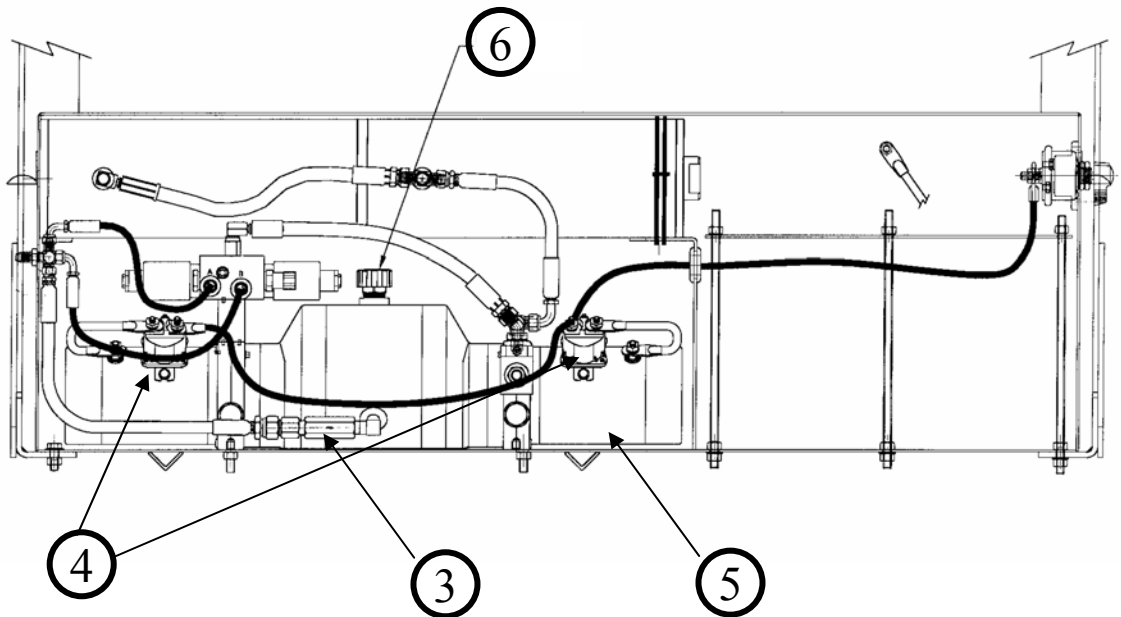
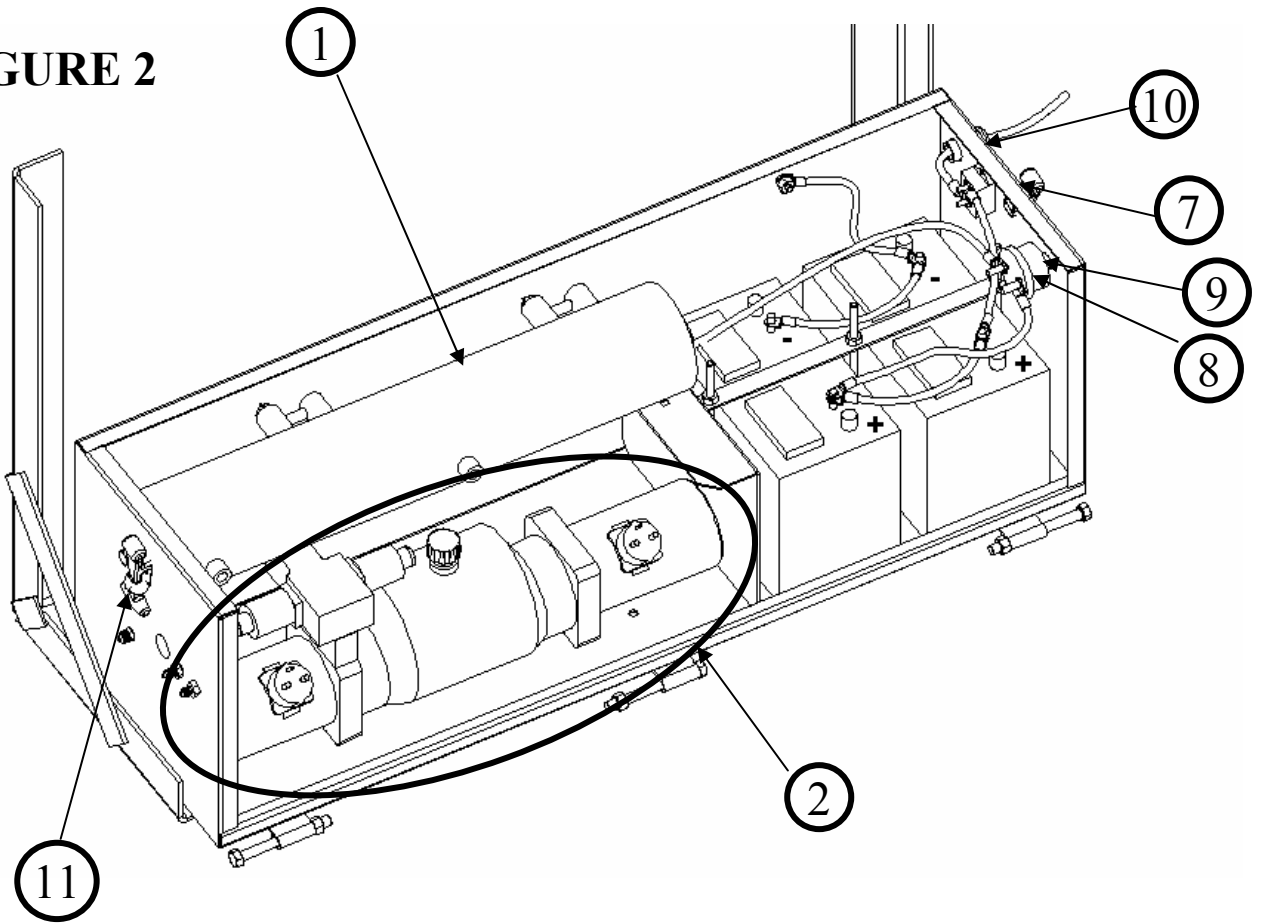


**FIGURE 1**



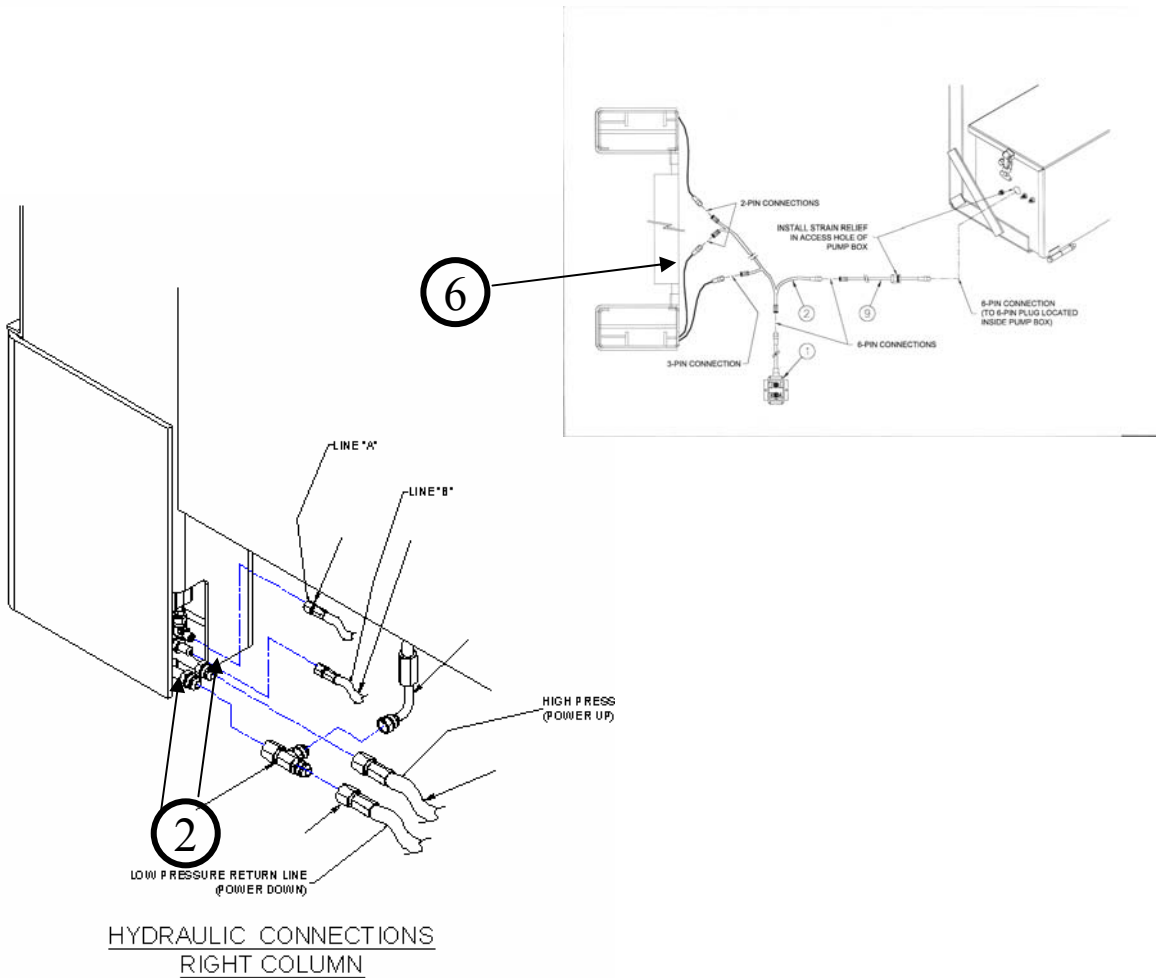
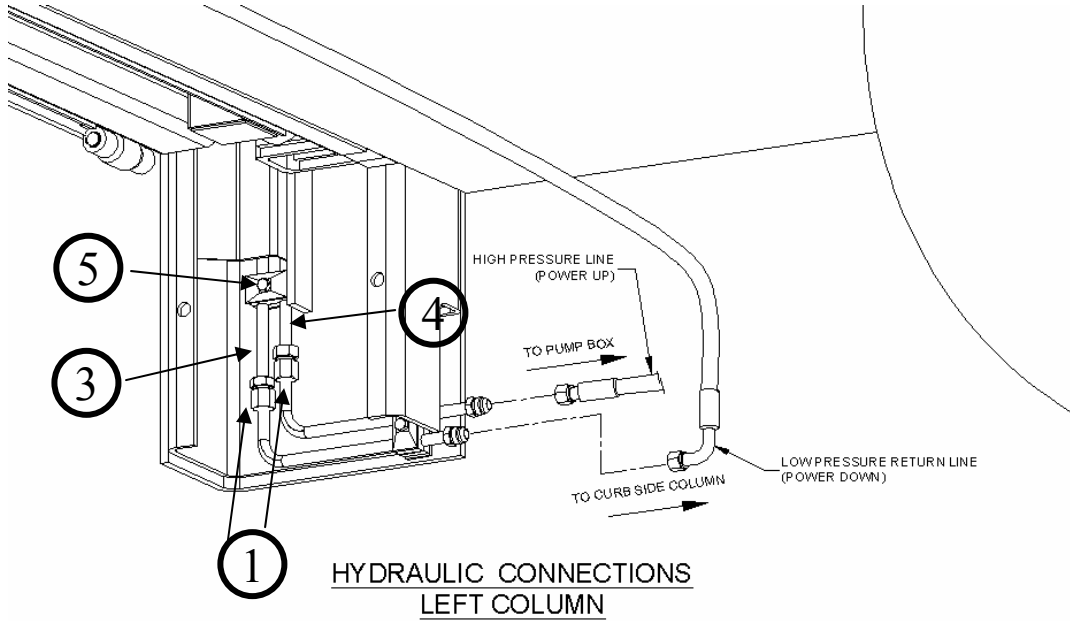
<b>FIGURE 1</b>		
TR-SP315-006	RUBBER BUMPER	1
XA-57940	ROLLER ASSY - Located interior to Column Assembly	
XA-57982-04800	ABRASION SLEEVE	2
XA-58096	CYLINDER PIN	3
XA-58115	CABLE ASSY, TOGGLE CONTROL	4
XA-58127	CABLE ASSY, THREE WIRE	5
XA-58239	TUBE ASSY, ROD END	6
XA-58240	TWIN HOSE ASSEMBLY	7
XA-58272	HYDRAULIC TUBE ASSY, BORE END	8
XA-58379	LIFT CYLINDER	9
XA-58481-02	HOSE GUARD, GALVANIZED	10
XA-58253 & XA-58526	WEAR PAD ASSEMBLY	11
XA-58051 & XA-58052	RUNNER RIGHT and LEFT	12
XA-58444-02 & -01	CAP, COLUMN PAINTED RIGHT and LEFT	13
Please call	PLATFORM INNER PAINTED	14
Please call	PLATFORM OUTER PAINTED	15

**FIGURE 2**



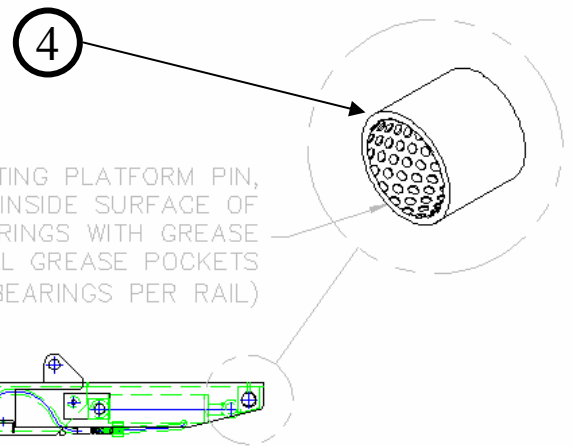
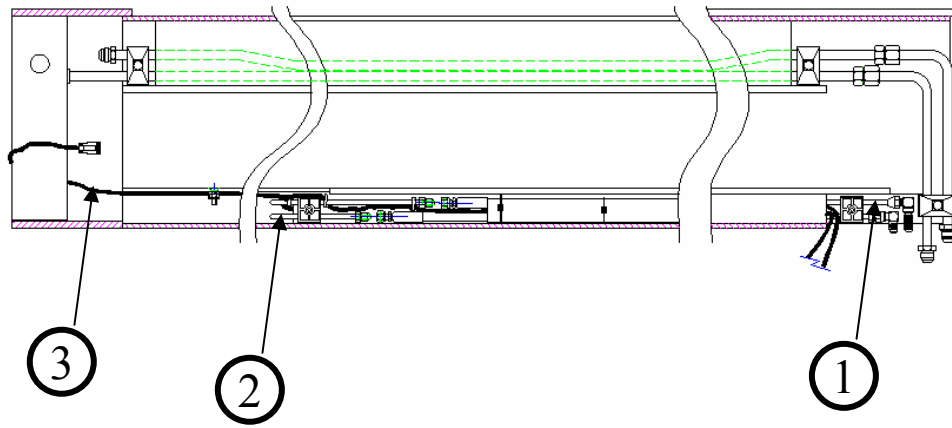
XA-58028	MASTER CYLINDER	1
XA-58055	POWER PACK,TWIN MOTOR	2
XB-58596-2900	RELIEF VALVE, INLINE,2900 PSI	3
XB-58723	START SOLENOID	4
XB-57629	MOTOR, 12 V DC	5
XB-57901	BREATHER CAP,PLASTIC,3/4 NPT	6
XB-57218	STRAIN RELIEF,W/NUT, .35-.63 DIA	7
XB-50130	MASTER DISCONNECT SWITCH	8
XB-50130-01	FACE PLATE FOR MASTER DISCONNECT SWITCH	9
XB-51055	CIRCUIT BREAKER,MANUAL,150 A.	10
XA-50380	RUBBER HOLD-DOWN - STRAP & PIN	11
XA-58345-01	PUMP BOX LID PAINTED	12
XB-58728	U-VALVE COIL	13
XB-58727	COIL, 10VDC	14
XB-58726	VALVE CARTRIDGE - 2P - 4 WAY	15
XB-58725	ELECTRIC MOTOR - BRUSH KIT	16
XB-58724	STRAINER	17
XB-58729	PILOT OP CHECK VALVE	18
XB-57631	VALVE CARTRIDGE - 2P - 2 WAY	19
XB-57632	COIL, 10VDC	20

# FIGURE 3



<b>FIGURE 3</b>		
XA-58123	HYDRAULIC TUBE, 90 DEG, LEFT	1
XA-58124	HYDRAULIC TUBE, 90 DEG, RIGHT	2
XA-58129	HYDRAULIC TUBE, OFFSET	3
XA-58436	HYDRAULIC TUBE,HIGH PRESSURE	4
XB-58273	TUBE CLAMP KIT,1/2"	5
XA-58121	CABLE ASSY,TWO WIRE	6

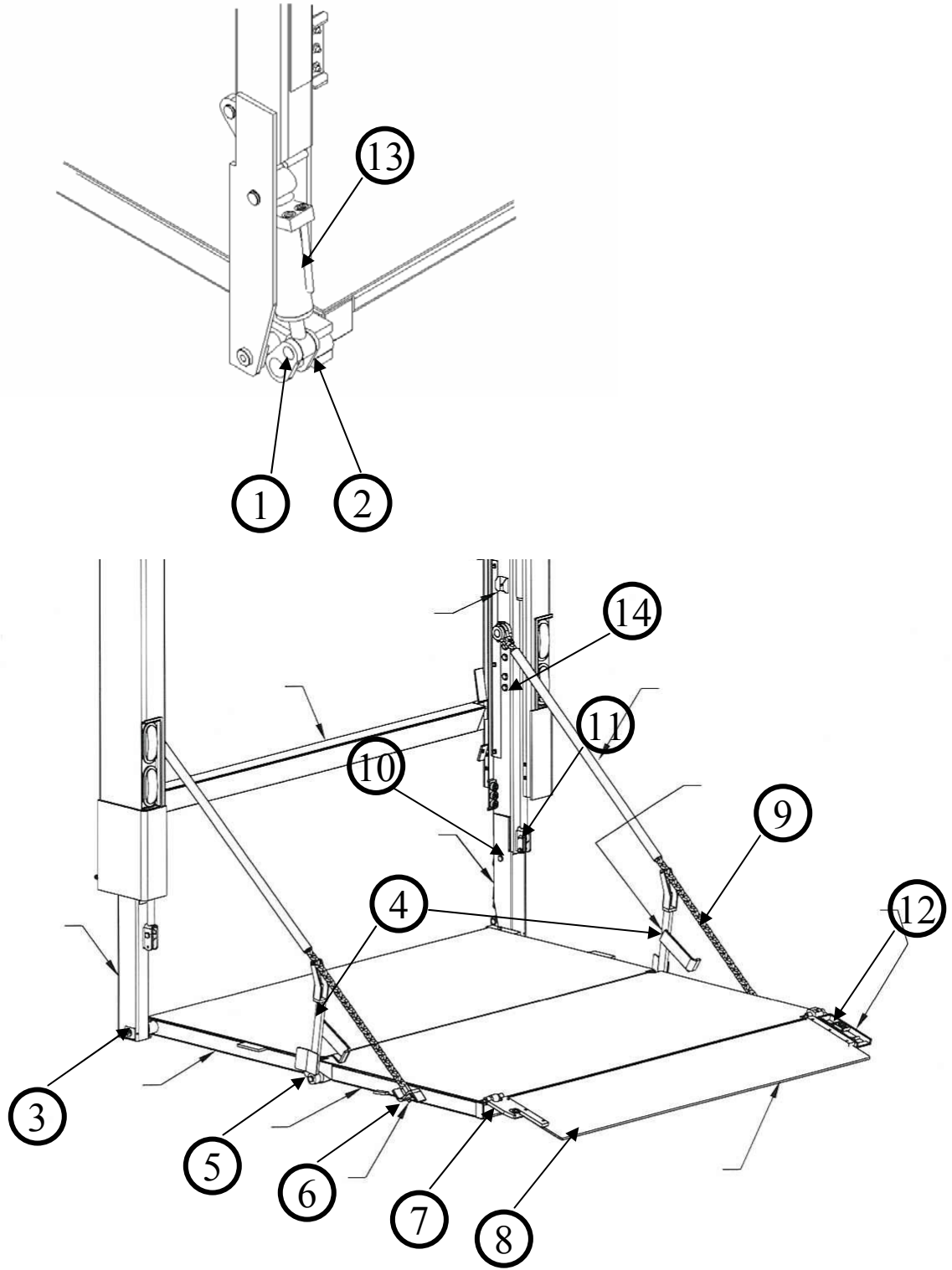
# FIGURE 4





<b>FIGURE 4</b>		
XA-58239	TUBE ASSY,ROD END	1
XA-58272	HYDRAULIC TUBE ASSY,BORE END	2
XA-58121	CABLE ASSY,TWO WIRE	3
XB-51859	DX BEARING 1 1/4 DIA x 1 LONG	4

**FIGURE 5**



<b>FIGURE 5</b>		
XA-58602		1
XB-21-55187-2000	ROLL PIN 420 STAINLESS 3/16 x 2 LONG	2
XA-58603	PLATFORM PIN	3
XA-58559-02	CHAIN STANCHION,LH,PAINTED	4
XA-58560-02	CHAIN STANCHION,RH,PAINTED	4
XA-58534	PIN,PLATFORM HINGE	5
XB-57244	U-BOLT,7/16"UNC,GR.5,PLATED	6
XA-58441	GROOVED PIN,5/8",PLATED	7
XB-54206	RUBBER BUMPER,2-1/2"DIA - (Under platform)	8
XA-58701	CHAIN ASSY, PAINTED	9
XA-58607	PIN,POWER CLOSE,PLATED	10
XA-58557	PIN,PLATED	11
XA-58363	SPRING BOLT	12
XA-58364	COMPRESSION SPRING,SPRING BOLT	12
XA-58595	CYLINDER, POWER FOLD/UNFOLD	13
XB-58073-01	HOLE PLUG	14
Please call	RAMP WELDMENT	15
XA-58372 & 365	PLATFORM FLIP HINGE	16

## Misc Spare Parts not identified on a Fig

XA-58133	WIRE HARNESS,TWIN MOTOR	???	
XA-58476	WIRE HARNESS	???	
XA-58526	WEAR PAD	???	
XB-51373	RETAINING RING,EXT.,PLATED,1.000"DIA	???	
XB-51533	SWITCH-TOGGLE, MARINE	???	
XB-57111	PULL PLUG,3/4"DIA	???	
XB-58027	SOLENOID VALVE W/COIL HIGH PRESSURE		Inside left Cyl
XB-58550-15	FLOW CONTROL VALVE,1.5 GPM		Located on top of lift cylinder
XB-58612-02	FLOW RESTRICTOR,IN-LINE,D		Located with Power Close Cyl
XB-57905	COIL,10VDC		Located with Power Pack
XB-	VALVE 2W-NC		Located with Power Pack
XB-	VALVE 2P-4W		Located with Power Pack
XB-	SCREEN FILTER		Located in resevoir
XB-58615	CLAMP BODY,1/4" TUBE (2 HALVES MAKE 1)		
XB-58615	CLAMP BODY,1/4" TUBE (2 HALVES MAKE 1)		