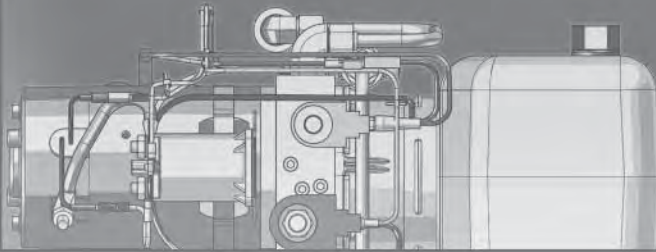


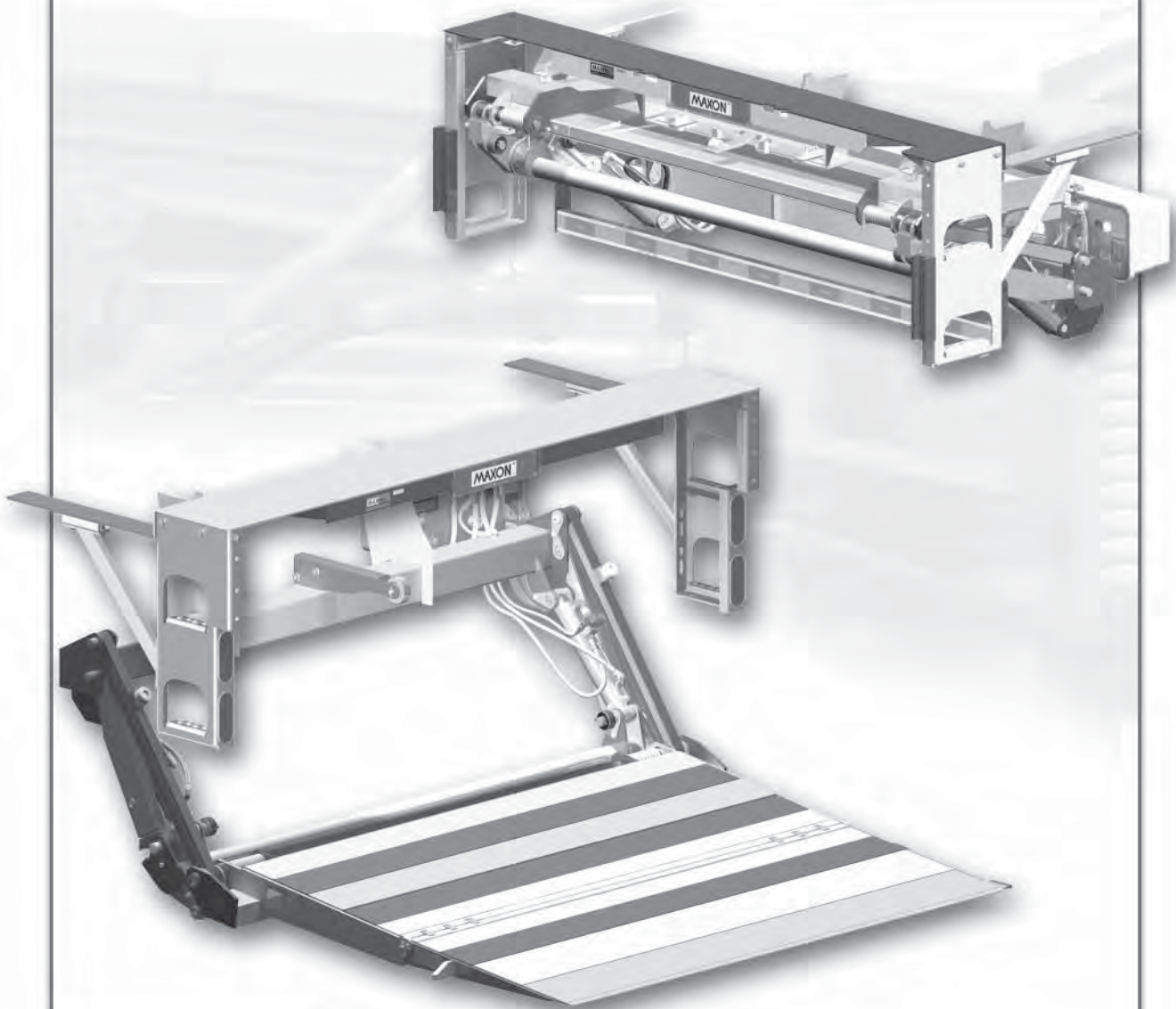
M-09-10
REV. F
MARCH 2013



MAXON[®] GPT Series

MAINTENANCE MANUAL

GPT-25, -3, -4 & -5; GPTWR-25, -3, -4 & -5



MAXON[®]

LIFT CORP.

11921 Slauson Ave.
Santa Fe Springs, CA. 90670

CUSTOMER SERVICE:

TELEPHONE (562) 464-0099 TOLL FREE (800) 227-4116

FAX: (888) 771-7713

NOTE: For latest version of all Manuals (and replacements), download the Manuals from Maxon's website at www.maxonlift.com.

WARRANTY/ RMA POLICY & PROCEDURE

LIFTGATE WARRANTY

Type of Warranty: Full Parts and Labor

Term of Warranty: Standard Liftgates - 2 years from ship date or 6,000 cycles
Premium Liftgates - 2 years from ship date or 10,000 cycles

This warranty shall not apply unless the product is installed, operated and maintained in accordance with MAXON Lift's specifications as set forth in MAXON Lift's Installation, Operation and Maintenance manuals. This warranty does not cover normal wear, maintenance or adjustments, damage or malfunction caused by improper handling, installation, abuse, misuse, negligence, or carelessness of operation. In addition, this warranty does not cover equipment that has had unauthorized modifications or alterations made to the product.

MAXON agrees to replace any components which are found to be defective during the first 2 years of service, and will reimburse for labor based on MAXON's Liftgate Warranty Flat Rate Schedule. (Copy of the Flat Rate is available at www.maxonlift.com.)

All warranty repairs must be performed by an authorized MAXON warranty facility. For any repairs that may exceed \$500, including parts and labor, MAXON's Technical Service Department must be notified and an "Authorization Number" obtained.

All claims for warranty must be received within 30 Days of the repair date, and include the following information:

1. Liftgate Model Number and Serial Number
2. The End User must be referenced on the claim
3. Detailed Description of Problem
4. Corrective Action Taken, and Date of Repair
5. Parts used for Repair, Including MAXON Part Number(s)
6. MAXON R.M.A. # and/or Authorization # if applicable (see below)
7. Person contacted at MAXON if applicable
8. Claim must show detailed information i.e. Labor rate and hours of work performed

Warranty claims can also be placed online at www.maxonlift.com. Online claims will be given priority processing.

All claims for warranty will be denied if paperwork has not been received or claim submitted via Maxon website for processing by MAXON's Warranty Department within 30 days of repair date.

All components may be subject to return for inspection, prior to the claim being processed. MAXON products may not be returned without prior written approval from MAXON's Technical Service Department. Returns must be accompanied by a copy of the original invoice or reference with original invoice number and are subject to a credit deduction to cover handling charges and any necessary reconditioning costs. **Unauthorized returns will be refused and will become the responsibility of the returnee.**

Any goods being returned to MAXON Lift must be pre-approved for return, and have the R.M.A. number written on the outside of the package in plain view, and returned freight prepaid. All returns are subject to a 15% handling charge if not accompanied by a detailed packing list. Returned parts are subject to no credit and returned back to the customer. Defective parts requested for return must be returned within 30 days of the claim date for consideration to:

MAXON Lift Corp.
10321 Greenleaf Ave., Santa Fe Springs, CA 90670
Attn: RMA# _____

MAXON's warranty policy does not include the reimbursement for travel time, towing, vehicle rental, service calls, oil, batteries or loss of income due to downtime. Fabrication or use of non Maxon parts, which are available from MAXON, are also not covered.

MAXON's Flat Rate Labor Schedule takes into consideration the time required for diagnosis of a problem.

All Liftgates returned are subject to inspection and a 15% restocking fee. Any returned Liftgates or components that have been installed or not returned in new condition will be subject to an additional reworking charge, which will be based upon the labor and material cost required to return the Liftgate or component to new condition.

PURCHASE PART WARRANTY

Term of Warranty: 1 Year from Date of Purchase.

Type of Warranty: Part replacement only. MAXON will guarantee all returned genuine MAXON replacement parts upon receipt and inspection of parts and original invoice.

All warranty replacements parts will be sent out via ground freight. If a rush shipment is requested, all freight charges will be billed to the requesting party.

TABLE OF CONTENTS

WARNINGS	6
LIFTGATE TERMINOLOGY	9
PERIODIC MAINTENANCE	10
PERIODIC MAINTENANCE CHECKS	10
PERIODIC MAINTENANCE CHECKLIST	11
CHECKING HYDRAULIC FLUID	14
CHANGING HYDRAULIC FLUID	16
REPLACING PLATFORM TORSION SPRING	18
PLATFORM ADJUSTMENT	19
PARTS BREAKDOWN	22
GPT-25, GPT-3, GPT-4 & GPT-5 FINAL ASSEMBLY	22
GPTWR-25, GPTWR-3, GPTWR-4 & GPTWR-5 FINAL ASSEMBLY	24
EXTENSION PLATE ASSEMBLY (BOLT-ON FOR GPTWR MODELS).....	26
DUAL STEPS (PAINTED, BOLT-ON EXTENSION PLATES ONLY)	28
DUAL STEPS (GALVANIZED, BOLT-ON EXTENSION PLATES ONLY)	30
MAIN ASSEMBLY: GPT-25, GPT-3, GPTWR-25 & GPTWR-3	32
MAIN ASSEMBLY: GPT-4, GPTWR-4, GPT-5 & GPTWR-5	36
PLATFORM & FLIPOVER ASSEMBLY	40
PLATFORM & FLIPOVER ASSEMBLY WITH CART STOPS	41
FLIPOVER WITH SINGLE CART STOP	42
FLIPOVER WITH DUAL CART STOPS	44
RUBBER BUMPERS.....	46
PUMP ASSEMBLY	48
HYDRAULIC COMPONENTS - POWER DOWN.....	50

12 VDC POWER UNIT	52
DECALS (GPT)	54
DECALS (GPTWR)	56
CONTROL SWITCH AND POWER CABLE	59
OPTIONAL BATTERY BOX ELECTRICAL COMPONENTS.....	60
OPTIONAL BATTERY BOX ASSEMBLY	62
OPTIONAL BATTERY BOX.....	64
SYSTEM DIAGRAMS	67
PUMP & MOTOR SOLENOID OPERATION	67
HYDRAULIC SCHEMATIC (POWER DOWN)	68
ELECTRICAL SCHEMATIC (POWER DOWN)	69
TROUBLESHOOTING	70
PLATFORM WILL NOT RAISE & MOTOR WILL NOT RUN	70
PLATFORM WILL NOT RAISE, BUT MOTOR RUNS	71
PLATFORM RAISES BUT LEAKS DOWN.....	72
PLATFORM RAISES PARTIALLY AND STOPS.....	74
LIFTGATE WILL NOT LIFT RATED CAPACITY	75
PLATFORM RAISES SLOWLY	76
PLATFORM WILL NOT LOWER, LOWERS TOO SLOWLY OR TOO QUICKLY	78
PLATFORM BEGINS TO LOWER ON LH SIDE, BUT WILL NOT LOWER ON RH SIDE ..	80
PLATFORM WILL NOT TILT DOWN TO THE GROUND	83

Comply with the following **WARNINGS** and **SAFETY INSTRUCTIONS** while maintaining Liftgates. See Operation Manual for operating safety requirements.

⚠ WARNING

- Do not stand, or allow obstructions, under the platform when lowering the Liftgate. **Be sure your feet are clear of the Liftgate.**
- Keep fingers, hands, arms, legs, and feet clear of moving Liftgate parts (and platform edges) when operating the Liftgate.
- Correctly stow platform when not in use. Extended platforms could create a hazard for people and vehicles passing by.
- **Disconnect Liftgate power cable from battery** before repairing or servicing Liftgate.
- If it is necessary to stand on the platform while maintaining the Liftgate, keep your feet and any objects clear of the inboard edge of the platform. Your feet or objects on the platform can become trapped between the platform and the Liftgate extension plate.
- Recommended practices for welding on steel parts are contained in the current **AWS (American Welding Society) D1.1 Structural Welding Code - Steel**. Damage to Liftgate and/or vehicle, and personal injury could result from welds that are done incorrectly.
- Recommended practices for welding on aluminum parts are contained in the current **AWS (American Welding Society) D1.2 Structural Welding Code - Aluminum**. Damage to Liftgate and/or vehicle, and personal injury could result from welds that are done incorrectly.
- Welding on galvanized parts gives off especially hazardous fumes. Comply with WARNING decal on the galvanized part (**FIG. 6-1**). To minimize hazard remove galvanizing from weld area, provide adequate ventilation, and wear suitable respirator.

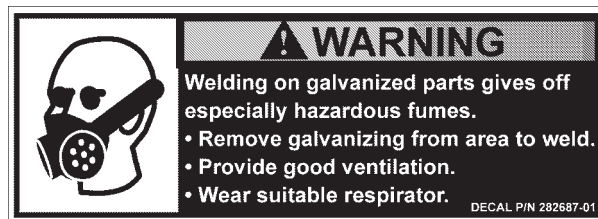


FIG. 6-1

MAXON[®]

11921 Slauson Ave. Santa Fe Springs, CA. 90670 (800) 227-4116 FAX (888) 771-7713

SAFETY INSTRUCTIONS

- Read and understand the instructions in this **Maintenance Manual** before performing maintenance on the Liftgate.
- Before operating the Liftgate, read and understand the operating instructions in **Operation Manual**.
- Comply with all **WARNING** and instruction decals attached to the Liftgate.
- Keep decals clean and legible. If decals are illegible or missing, replace them. Free replacement decals are available from **Maxon Customer Service**.
- Consider the safety and location of bystanders and location of nearby objects when operating the Liftgate. Stand to one side of the platform while operating the Liftgate.
- Do not allow untrained persons to operate the Liftgate.
- Wear appropriate safety equipment such as protective eyeglasses, faceshield and clothing while performing maintenance on the Liftgate and handling the battery. Debris from drilling and contact with battery acid may injure unprotected eyes and skin.
- Be careful working by an automotive type battery. Make sure the work area is well ventilated and there are no flames or sparks near the battery. Never lay objects on the battery that can short the terminals together. If battery acid gets in your eyes, immediately seek first aid. If acid gets on your skin, immediately wash it off with soap and water.
- If an emergency situation arises (vehicle or Liftgate) while operating the Liftgate, release the control switch to stop the Liftgate.
- A correctly installed Liftgate operates smoothly and reasonably quiet. The only noticeable noise during operation comes from the power unit while the platform is raised. Listen for scraping, grating and binding noises and correct the problem before continuing to operate Liftgate.
- Use only **Maxon Authorized Parts** for replacement parts. Provide Liftgate model and serial number information with your parts order. Order replacement parts from:

MAXON LIFT CORP. Customer Service
11921 Slauson Ave., Santa Fe Springs, CA 90670

Online: www.maxonlift.com

Express Parts Ordering: Phone (800) 227-4116 ext. 4345

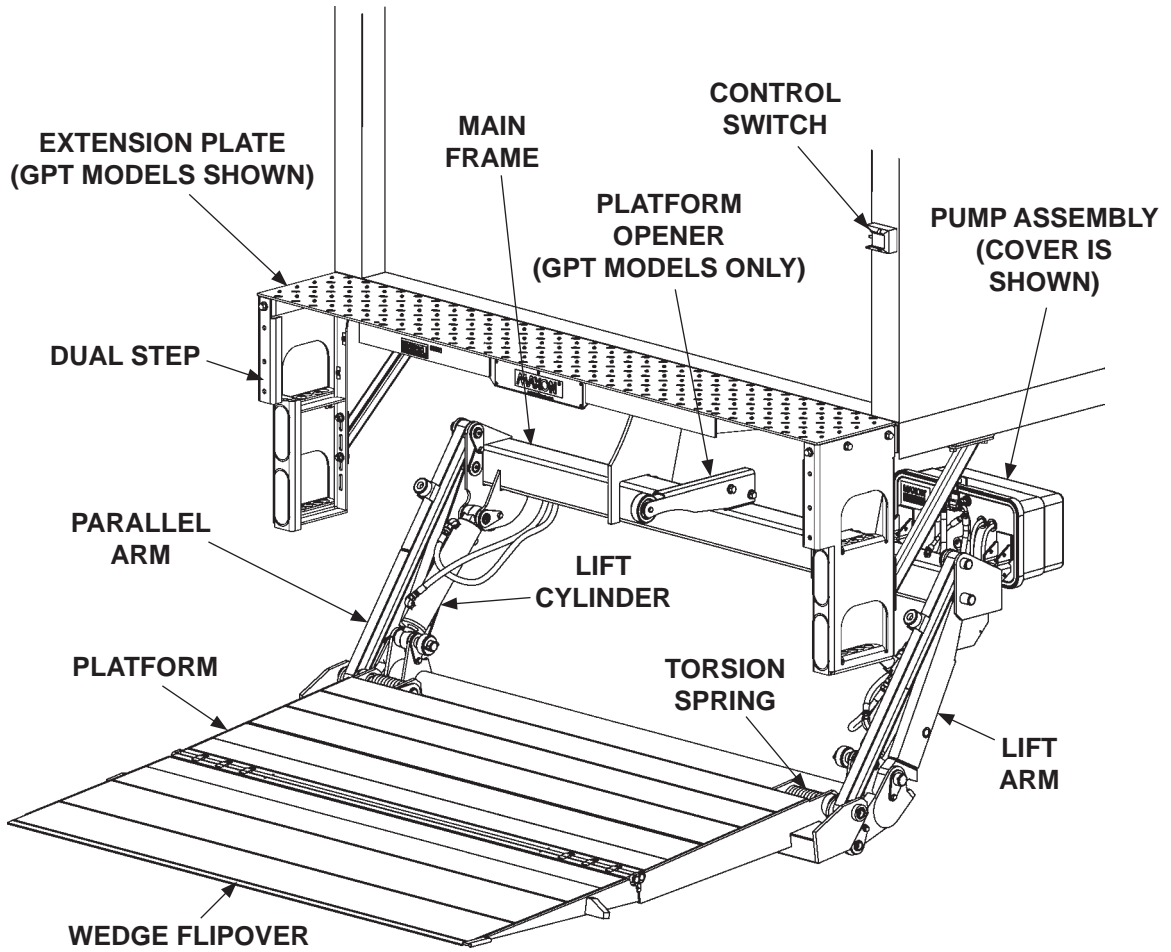
Email: Ask your Customer Service representative

THIS PAGE INTENTIONALLY LEFT BLANK

MAXON[®]

11921 Slauson Ave. Santa Fe Springs, CA. 90670 (800) 227-4116 FAX (888) 771-7713

LIFTGATE TERMINOLOGY



PERIODIC MAINTENANCE PERIODIC MAINTENANCE CHECKS

⚠ WARNING

Never operate the Liftgate if parts are loose or missing.

NOTE: Make sure vehicle is parked on level ground while performing the maintenance checks.

Quarterly or 1250 Cycles (whichever occurs first)

Check the hydraulic fluid level in the pump reservoir. Refer to the **CHECKING HYDRAULIC FLUID** procedure in the **PERIODIC MAINTENANCE** section.

If hydraulic fluid appears contaminated, refer to the **CHANGING HYDRAULIC FLUID** procedure in the **PERIODIC MAINTENANCE** section.

Keep track of the grade of hydraulic fluid in the pump reservoir and never mix two different grades of fluid.

Check all hoses and fittings for chafing and fluid leaks. Tighten loose fittings or replace parts as required.

Check electrical wiring for chafing and make sure wiring connections are tight and free of corrosion. Use dielectric grease to protect electrical connections.

Check that all **WARNING and instruction decals** are in place. Also, make sure decals are legible, clean and undamaged.

Check that all bolts, nuts, and roll pins are in place. Make sure roll pins protrude evenly from both sides of hinge pin collar. Replace fasteners and roll pins if necessary.

Pump EP chassis grease in each lube fitting on the cylinders and arms until grease starts oozing from ends of the bearings. The lubrication diagram on the **PERIODIC MAINTENANCE CHECKLIST SHEET** shows where to find the lube fittings. Wipe off excess grease with a clean lint-free cloth.

CAUTION

Damaged cylinder seals and contaminated hydraulic fluid can result from painting the polished portion of the cylinder rod. To prevent damage, protect the exposed polished portion of the cylinder rod while painting.

Check for rust and oily surfaces on Liftgate. If there is rust or oil on Liftgate, clean it off. Touch up the paint where bare metal is showing. MAXON recommends using the aluminum primer touchup paint kit, P/N 908134-01.

Semi-annually or 2500 Cycles (whichever occurs first)

Visually check the platform hinge pins for excessive wear and broken welds. See **PARTS BREAKDOWN** section for replacement parts. Also, do the **Quarterly or 1250 Cycles** maintenance checks.

MAXON[®]

11921 Slauson Ave. Santa Fe Springs, CA. 90670 (800) 227-4116 FAX (888) 771-7713

PERIODIC MAINTENANCE CHECKLIST

NOTE: Make sure vehicle is parked on level ground while performing maintenance checks.

Quarterly or 1250 Cycles (whichever occurs first)

- Check the level and condition of the hydraulic fluid.
- Visually check all hoses and fittings for chafing and fluid leaks. Tighten loose fittings or replace parts as required.
- Check electrical wiring for chafing and make sure wiring connections are tight and free of corrosion. Use dielectric grease to protect electrical connections.
- Check that all **WARNING and instruction decals** are in place. Also, make sure decals are legible, clean, and undamaged.
- Check that all bolts, nuts, and roll pins are in place. Make sure roll pins protrude evenly from both sides of hinge pin collar. Replace fasteners and roll pins if necessary.
- Check for rust and oily surfaces on Liftgate. If there is rust or oil on Liftgate or if the Liftgate is dirty, clean it off. Touch up the paint where bare metal is showing. Refer to the paint system **CAUTION** and recommended touchup kit on the preceding page.
- Pump EP chassis grease in each lube fitting on the cylinders and arms until grease starts oozing from ends of the bearings. Refer to lubrication diagram on the next page. Wipe off excess grease with a clean lint-free cloth.

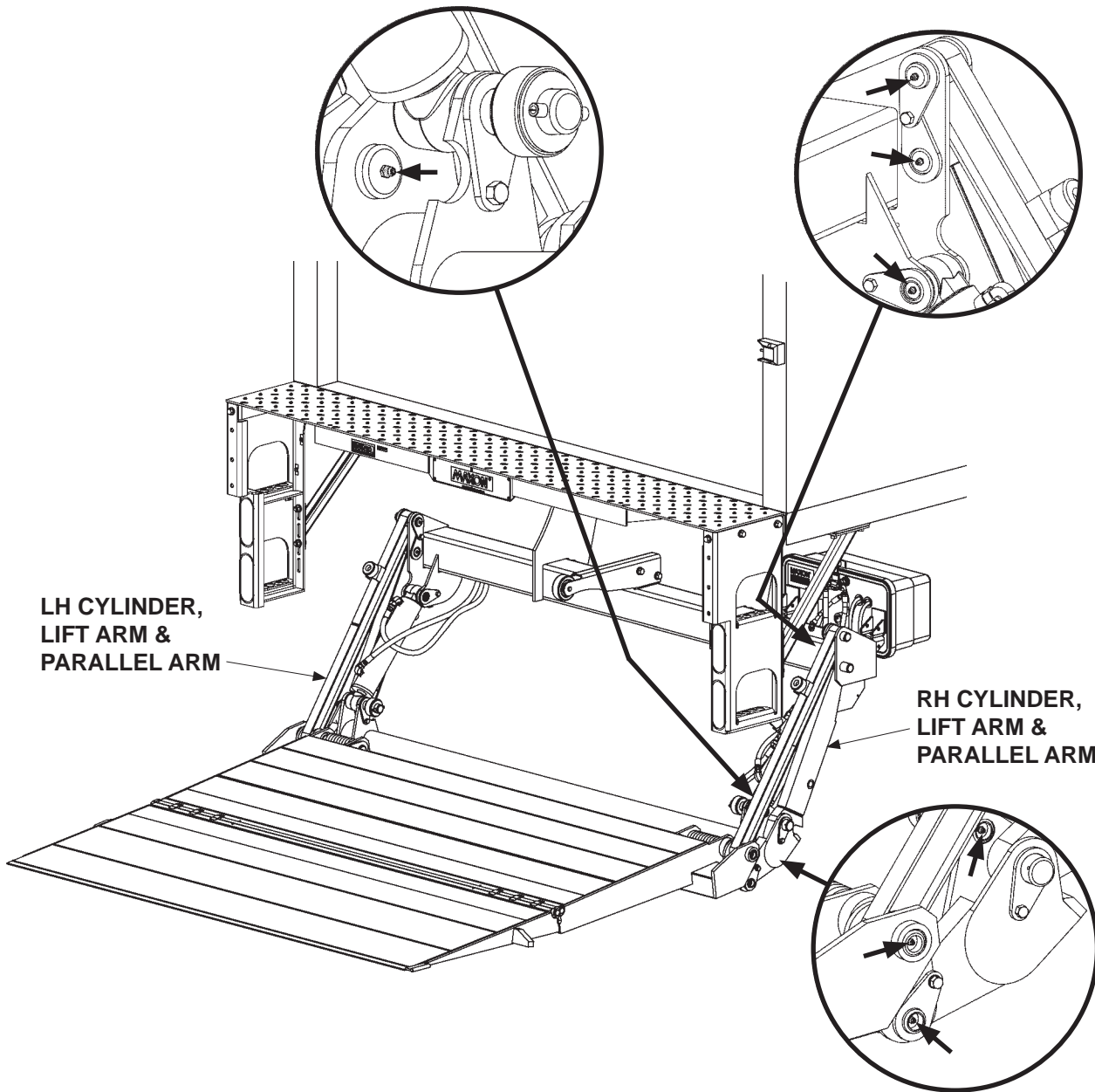
Semi-annually or 2500 Cycles (whichever occurs first)

- Visually check the platform hinge pins for excessive wear and broken welds.
- Do the **Quarterly or 1250 Cycles Checks** on this checklist.

PERIODIC MAINTENANCE CHECKLIST

MAXON[®]

11921 Slauson Ave. Santa Fe Springs, CA. 90670 (800) 227-4116 FAX (888) 771-7713



**GPT LUBRICATION DIAGRAM
FIG. 12-1**

THIS PAGE INTENTIONALLY LEFT BLANK

PERIODIC MAINTENANCE CHECKING HYDRAULIC FLUID

CAUTION

Keep dirt, water and other contaminants from entering the hydraulic system. Before opening the hydraulic fluid reservoir filler cap, drain plug and hydraulic lines, clean up contaminants that can get in the openings. Also, protect the openings from accidental contamination.

NOTE: Use correct grade of hydraulic fluid for your location.

+50 to +120 Degrees F - Grade ISO 32

Below + 70 Degrees F - Grade ISO 15 or MIL-H-5606

See TABLES 15-1 & 15-2 for recommended brands.

1. Unbolt and remove pump cover (FIG. 14-1).
2. Check the hydraulic fluid level in reservoir as follows. With Liftgate stowed, or platform at vehicle bed height, level should be as shown in FIG. 14-2.

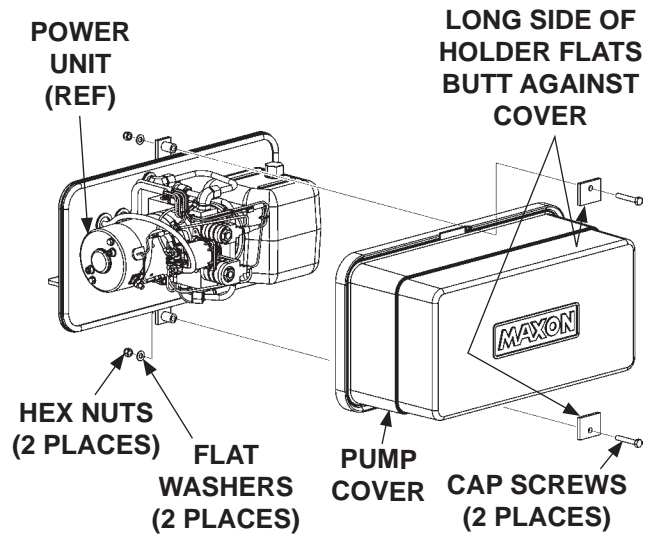
NOTE: If the hydraulic fluid in the reservoir is contaminated, do the **CHANGING HYDRAULIC FLUID** procedure in this section.

3. If needed, add fluid to the reservoir as follows. Pull out (no threads) filler cap (FIG. 14-2). Fill the reservoir with hydraulic fluid until reservoir looks about half full (FIG. 14-2). Reinstall filler cap (FIG. 14-2).

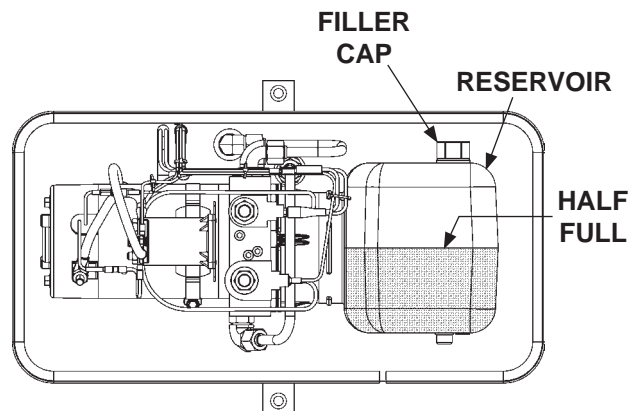
CAUTION

Pump cover must be correctly secured to prevent it from becoming a hazard. To secure pump cover, the long side of the holder flats must butt against pump cover as shown in the illustration.

4. Bolt on the pump cover as shown in FIG. 14-1. Torque the 5/16"-18 cover bolts from 10 to 14 lbs.-ft.



**UNBOLTING / BOLTING PUMP COVER
FIG. 14-1**



**POWER UNIT FLUID LEVEL
FIG. 14-2**

ISO 32 HYDRAULIC OIL	
RECOMMENDED BRANDS	PART NUMBER
AMSOIL	AWH-05
CHEVRON	HIPERSYN 32
KENDALL	GOLDEN MV
SHELL	TELLUS S2 V32
EXXON	UNIVIS N-32
MOBIL	DTE-13M, DTE-24, HYDRAULIC OIL-13

TABLE 15-1

ISO 15 OR MIL-H-5606 HYDRAULIC OIL	
RECOMMENDED BRANDS	PART NUMBER
AMSOIL	AWF-05
CHEVRON	FLUID A, AW-MV-15
KENDALL	GLACIAL BLU
SHELL	TELLUS S2 V15
EXXON	UNIVIS HVI-13
MOBIL	DTE-11M
ROSEMEAD	THS FLUID 17111

TABLE 15-2

PERIODIC MAINTENANCE CHANGING HYDRAULIC FLUID

CAUTION

Keep dirt, water and other contaminants from entering the hydraulic system. Before opening the hydraulic fluid reservoir filler cap, drain plug and hydraulic lines, clean up contaminants that can get in the openings. Also, protect the openings from accidental contamination.

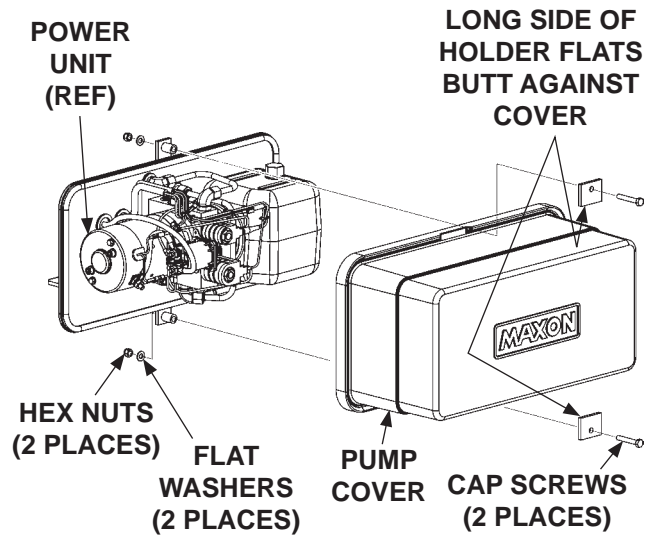
NOTE: Use correct grade of hydraulic fluid for your location.

+50 to +120 Degrees F - Grade ISO 32

Below + 70 Degrees F - Grade ISO 15 or MIL-H-5606

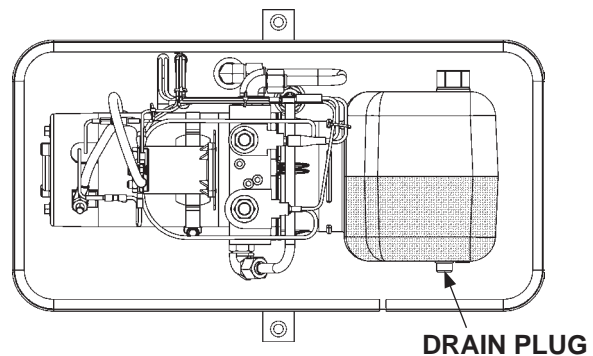
See **TABLES 15-1 & 15-2** for recommended brands.

1. Unbolt and remove pump cover (FIG. 16-1). Place empty 5 gallon bucket under drain plug (FIG. 16-2).



**UNBOLTING PUMP COVER
FIG. 16-1**

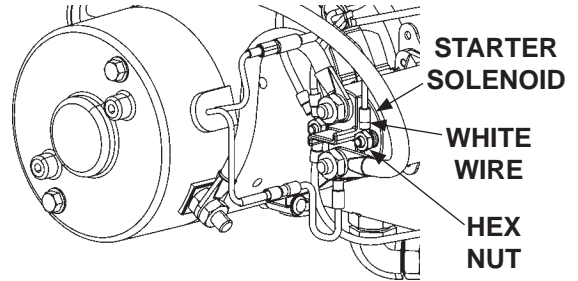
2. Open and raise platform to vehicle bed height. Pull out (no threads) drain plug (FIG. 16-2). Drain hydraulic fluid.



**POWER UNIT
FIG. 16-2**

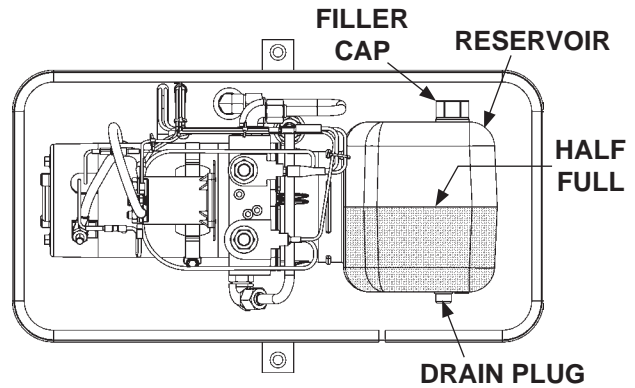
NOTE: MAXON recommends using dielectric grease on all electrical connections.

3. Disconnect the white wire (**FIG. 17-1**) from starter solenoid. Lower the platform while draining the remaining hydraulic fluid from system. Reinstall drain plug. Reconnect the white wire to starter solenoid.



DISCONNECTING WHITE WIRE
FIG. 17-1

4. Pull out (no threads) filler cap (**FIG. 17-2**). Add 1 gallon of hydraulic fluid to reservoir. The reservoir should look about half full (**FIG. 17-2**). Reinstall filler cap (**FIG. 17-2**).



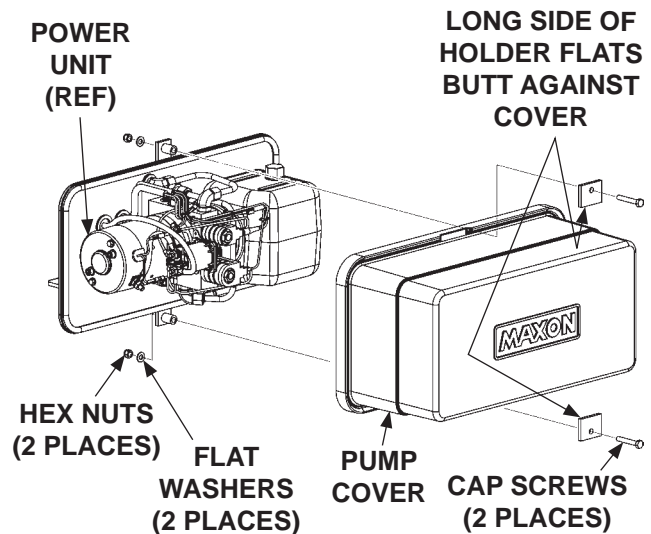
POWER UNIT
FIG. 17-2

5. Stow the Lift and do the **CHECKING HYDRAULIC FLUID** procedure in this section of the manual.

CAUTION

Pump cover must be correctly secured to prevent it from becoming a hazard. To secure pump cover, the long side of the holder flats must butt against pump cover as shown in the illustration.

6. Bolt on the pump cover as shown in **FIG. 17-3**. Torque the 5/16"-18 cover bolts from **10 to 14 lbs.-ft.**



BOLTING ON PUMP COVER
FIG. 17-3

PERIODIC MAINTENANCE

REPLACING PLATFORM TORSION SPRING

NOTE: The following procedure shows how to replace torsion spring on RH side of platform. Use this procedure for replacing torsion spring on the LH side.

1. Manually fold flipover onto platform.
2. Raise platform to a convenient work height to gain access and release tension on the torsion spring.

⚠ CAUTION

To prevent injury and equipment damage, make sure there is no tension on torsion spring before removing hinge pin.

3. Unbolt hinge pin from hinge bracket (FIG. 18-1). Remove bolt and lock nut. Drive the hinge pin inboard toward the shackle with a hammer and pin punch, just enough to free the torsion spring (FIG. 18-1). Remove spring from shackle.
4. Install the torsion spring as shown in FIG. 18-2. Make sure the long leg of the spring is inserted in the bracket located on shackle (FIG. 18-2). Make sure the short end of the spring is visible and resting against the edge of the hinge bracket (FIG. 18-2).
5. Drive the hinge pin into correct position (FIG. 18-2) through the hinge bracket with a hammer and pin punch. Line up the bolt hole in the hinge pin with the hole in the hinge bracket. Bolt the hinge pin to hinge bracket with bolt and lock nut (FIG. 18-2).
6. Operate the Liftgate to make sure it operates correctly.

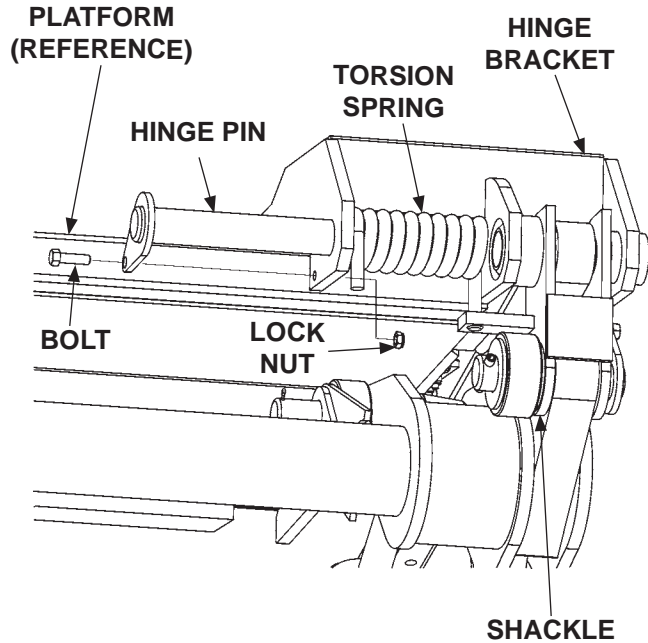


FIG. 18-1

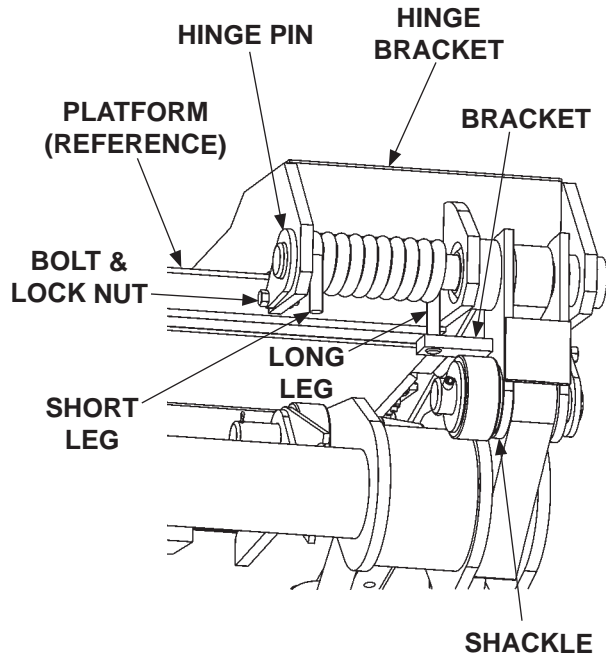
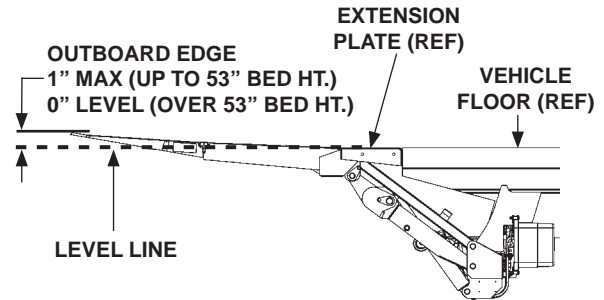


FIG. 18-2

PLATFORM ADJUSTMENT

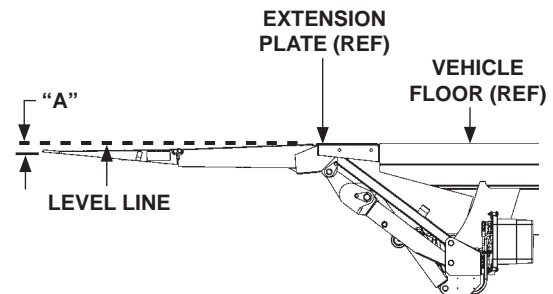
NOTE: Before doing the following procedure, make sure vehicle is parked on level ground.

1. With the platform and flipover unfolded, raise platform to bed level (**FIG. 19-1**). Measure how much the outboard edge of platform rises above bed level (**FIG. 19-1**). The outboard edge must be level or a maximum of 1" above bed level (**FIG. 19-1**). If indication is correct, Liftgate is installed correctly and no adjustment is needed. If the outboard edge is below bed level, do instructions **2, 3, and 6**. If outboard edge is higher than 1", do instructions **4 through 6**.



PLATFORM EDGE AT OR ABOVE BED LEVEL
FIG. 19-1

2. Compare measurement "A" (**FIG. 19-2**) with the distances and shims in **TABLE 19-1**. For example: If measurement "A" (**FIG. 19-2**) is 1" below level and you want to raise outboard edge of platform 1" above level, use 1/8" shim to raise 2" (**TABLE 19-1**).

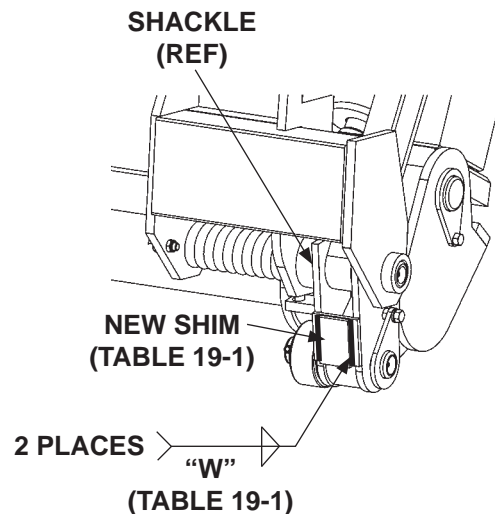


PLATFORM EDGE BELOW BED LEVEL
FIG. 19-2

RAISE PLATFORM EDGE (OUTBOARD) THIS DISTANCE ("A")	REQUIRED SHIM THICKNESS	WELD SIZE "W"
1"	1/16"	1/16"
2"	1/8"	1/8"
3"	3/16"	3/16"
4"	1/4"	1/4"

TABLE 19-1

3. Weld shims (parts bag item) on both platform stops (**FIG. 19-3**) to raise outboard edge of platform to correct position.



WELDING SHIMS (CURBSIDE SHOWN)
FIG. 19-3

PERIODIC MAINTENANCE

PLATFORM ADJUSTMENT - Continued

MAXON®

11921 Slauson Ave. Santa Fe Springs, CA. 90670 (800) 227-4116 FAX (888) 771-7713

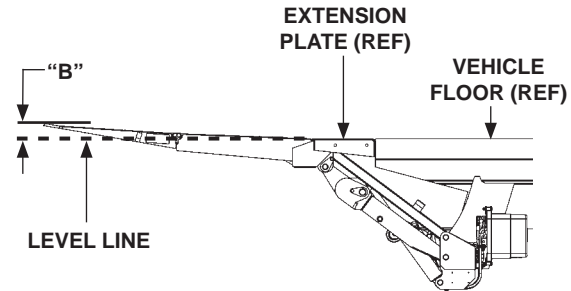
4. Compare measurement “B” (FIG. 20-1) with the distances and grinding depths in TABLE 20-1. For example: If measurement “B” (FIG. 20-1) is 3” above bed level and you want to lower the outboard edge of platform to 1” above bed level, grind 1/8” from each platform stop (TABLE 20-1).

LOWER PLATFORM EDGE (OUTBOARD) THIS DISTANCE (“B”)	GRIND METAL FROM PLATFORM STOP
1”	1/16”
2”	1/8”
3”	3/16”
4”	1/4”

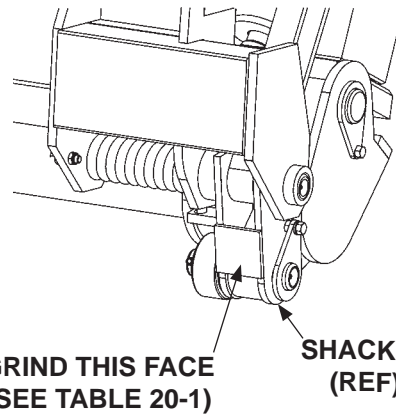
TABLE 20-1

5. Grind metal from platform stops (FIG. 20-2) to lower outboard edge of platform to correct position.

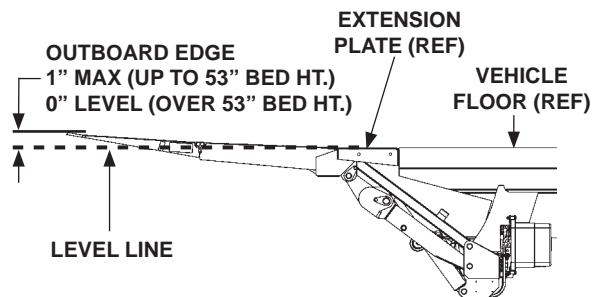
6. Lower the platform, then raise it to bed level. The outboard edge of platform should be level or up to 1” maximum above bed level (FIG. 20-3).



**PLATFORM EDGE ABOVE BED LEVEL
FIG. 20-1**



**GRINDING PLATFORM STOPS
(CURBSIDE SHOWN)
FIG. 20-2**



**PLATFORM EDGE ABOVE BED LEVEL
FIG. 20-3**

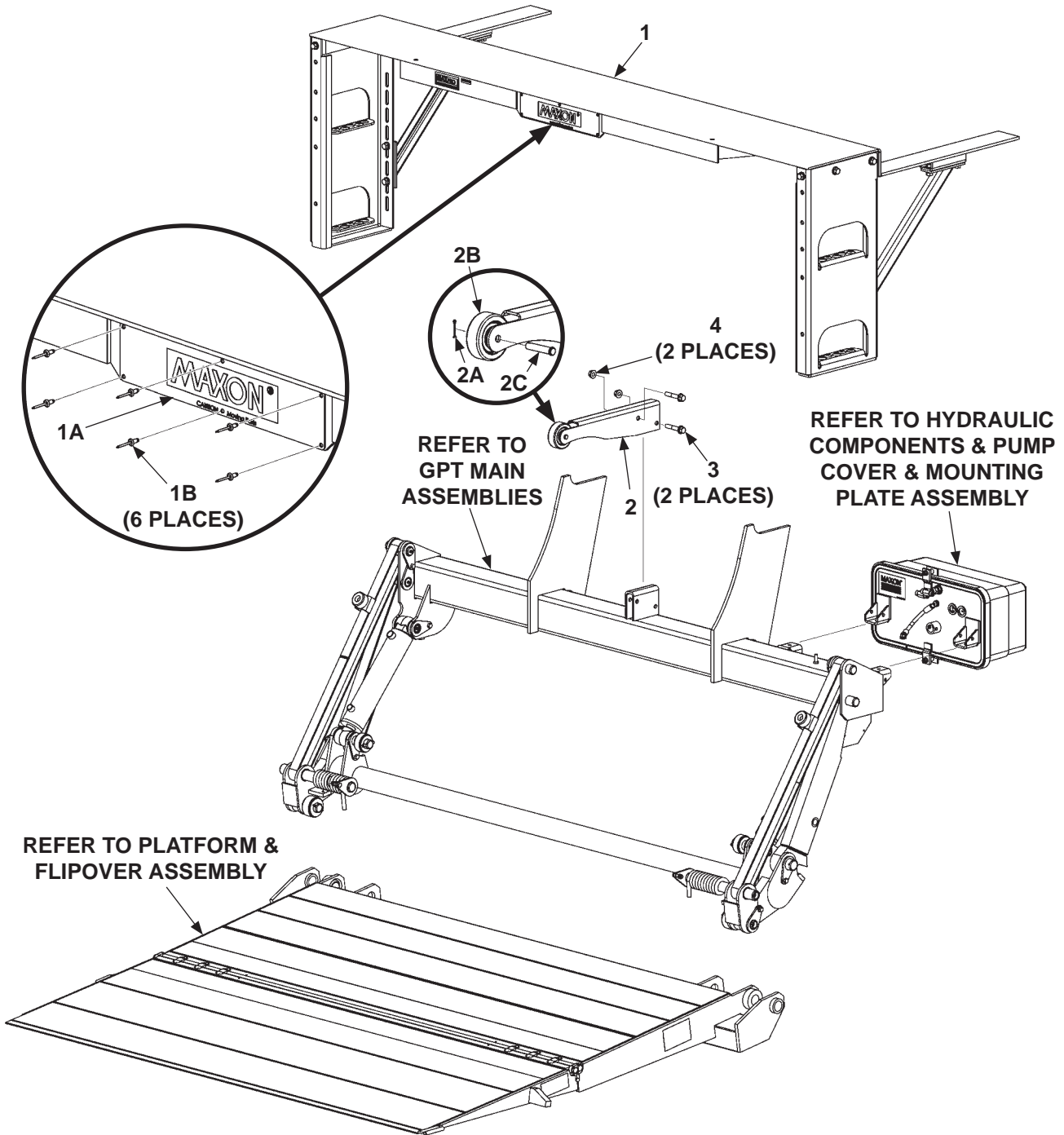
THIS PAGE INTENTIONALLY LEFT BLANK

PARTS BREAKDOWN

GPT-25, GPT-3, GPT-4 & GPT-5 FINAL ASSEMBLY

MAXON®

11921 Slauson Ave. Santa Fe Springs, CA. 90670 (800) 227-4116 FAX (888) 771-7713



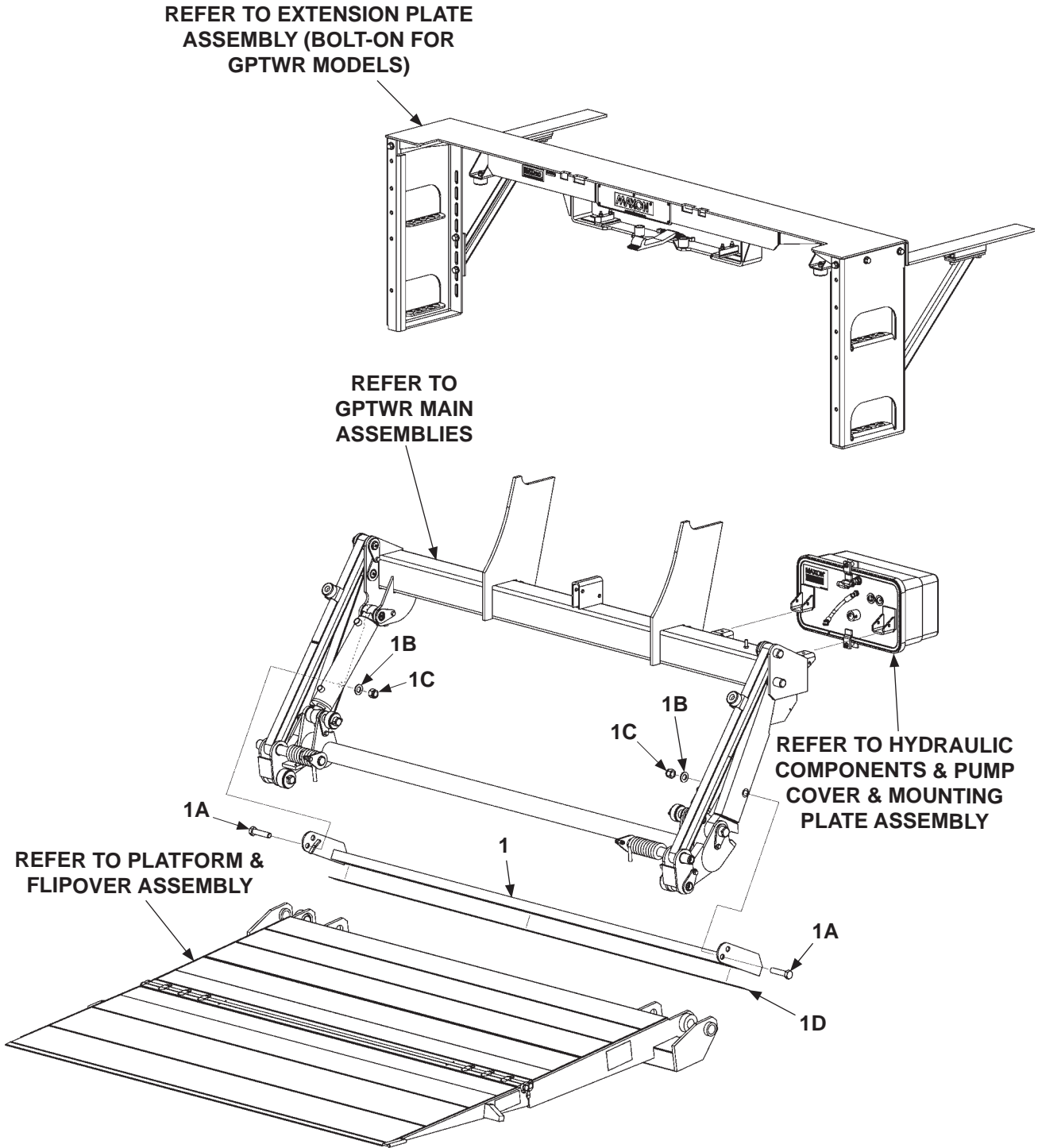
ITEM	QTY.	PART NO.	DESCRIPTION
1	1	282910-01	EXTENSION PLATE (BOLT-ON, 96" WIDE VEHICLE)
		282910-01G	EXTENSION PLATE, GALVANIZED (BOLT-ON, 96" WIDE VEHICLE)
		282910-02	EXTENSION PLATE (BOLT-ON, 102" WIDE VEHICLE)
		282910-02G	EXTENSION PLATE, GALVANIZED (BOLT-ON, 102" WIDE VEHICLE)
1A	1	266705-01	MAXON PLATE, 3-1/4" X 15" LG.
1B	6	207644-01	RIVET, 3/16" X .40"
2	1	265994-02	OPENER ASSEMBLY
		265994-02G	OPENER ASSEMBLY, GALVANIZED
2A	1	030805	COTTER PIN, 1.8" X 1" LG.
2B	1	280082-01	ROLLER
2C	1	905202-03	PIN
3	2	901024-9	HEX FRAME BOLT, 1/2"-13 X 2-3/4" LG.
4	2	901023	FLANGE LOCK NUT, 1/2"-13

PARTS BREAKDOWN

GPTWR-25, GPTWR-3, GPTWR-4 & GPTWR-5 FINAL ASSEMBLY

MAXON®

11921 Slauson Ave. Santa Fe Springs, CA. 90670 (800) 227-4116 FAX (888) 771-7713



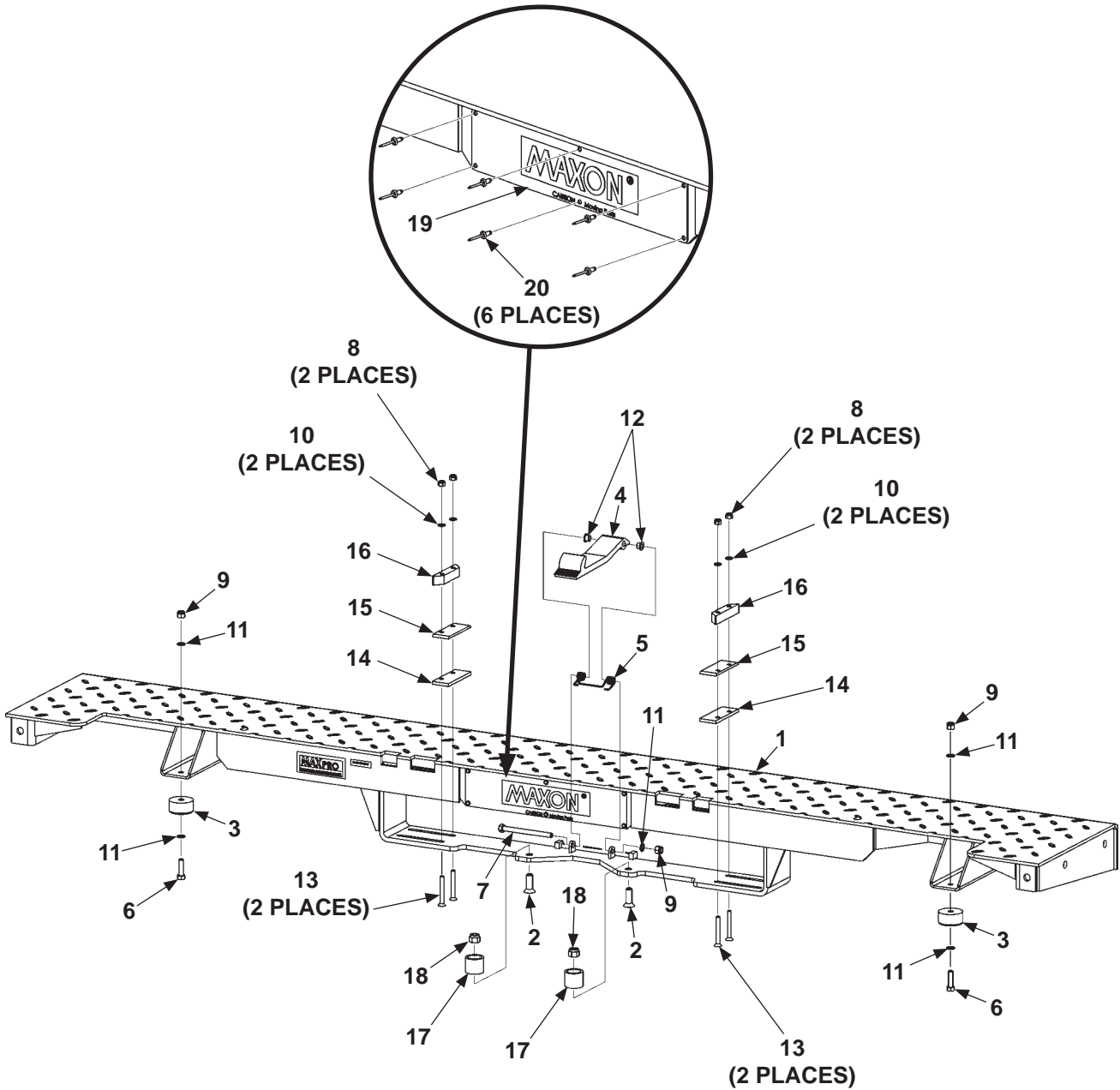
ITEM	QTY.	PART NO.	DESCRIPTION
1	1	284030-01	ICC BUMPER KIT
		284030-01G	ICC BUMPER KIT, GALVANIZED
1A	2	900038-12	CAP SCREW, 3/4"-10 X 3-1/4" LG, GRADE 8
1B	2	902013-16	FLAT WASHER, 3/4"
1C	2	903127-01	LOCK NUT, 3/4"-10, GRADE 8
1D	1	908150-01	MAXON REFLECTIVE TAPE (7-1/8' LG.)

MAXON[®] 11921 Slauson Ave. Santa Fe Springs, CA. 90670 (800) 227-4116 FAX (888) 771-7713

EXTENSION PLATE ASSEMBLY (BOLT-ON FOR GPTWR MODELS)

MAXON[®]

11921 Slauson Ave. Santa Fe Springs, CA. 90670 (800) 227-4116 FAX (888) 771-7713

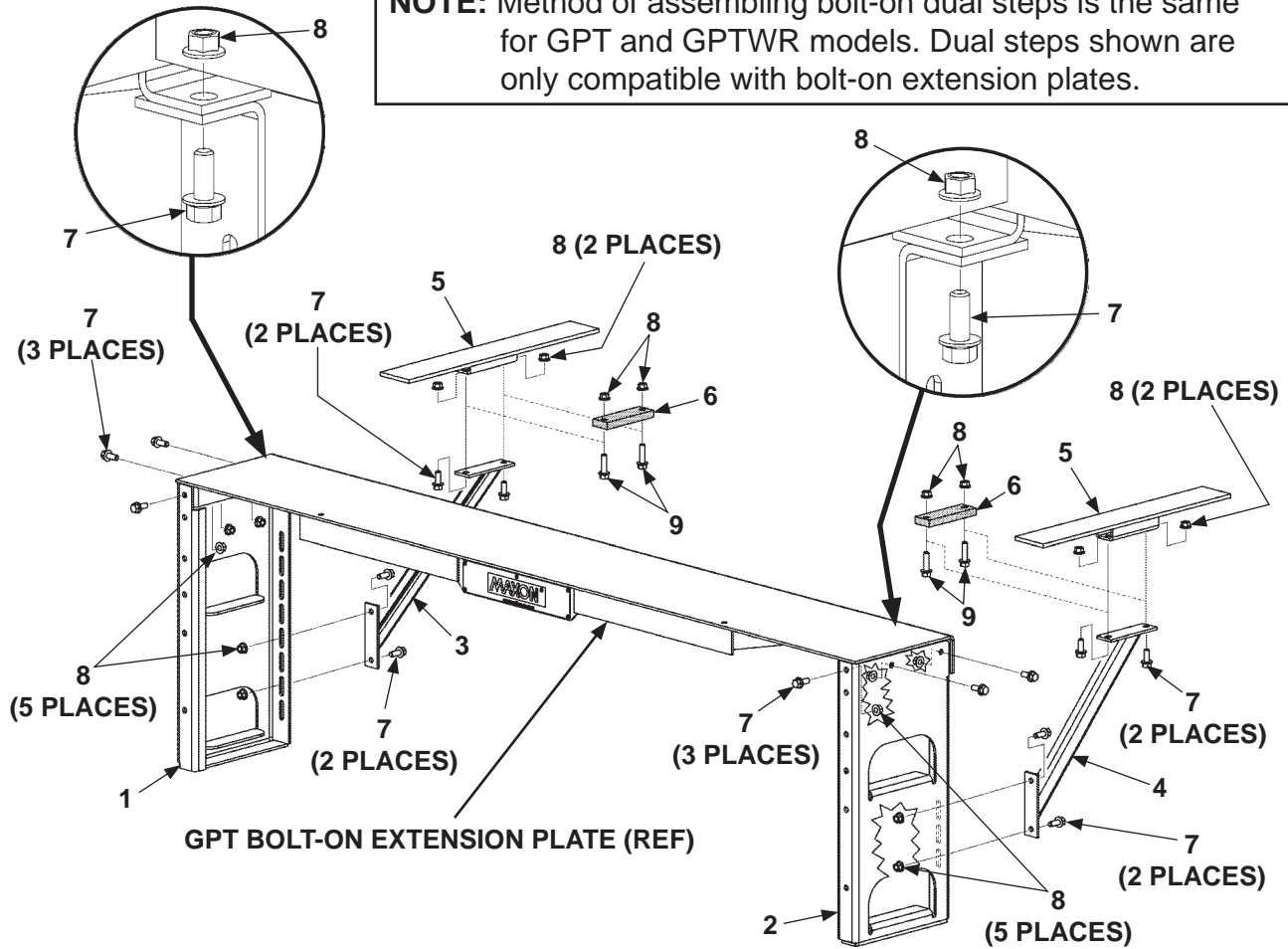


ITEM	QTY.	PART NO.	DESCRIPTION
REF	1	283130-01	EXTENSION PLATE ASSEMBLY, 96"
		283130-01G	EXTENSION PLATE ASSEMBLY, 96", GALVANIZED
		283130-02	EXTENSION PLATE ASSEMBLY, 102"
		283130-02G	EXTENSION PLATE ASSEMBLY, 102", GALVANIZED
1	1	283128-01	EXTENSION PLATE WELDMENT, 96"
		283128-01G	EXTENSION PLATE WELDMENT, 96", GALVANIZED
		283128-02	EXTENSION PLATE WELDMENT, 102"
		283128-02G	EXTENSION PLATE WELDMENT, 102", GALVANIZED
2	2	900745-04	SOCKET SCREW, 1/2"-13 X 1-1/2" LG.
3	2	267708-01	NYLON BUMPER
4	1	282257-01	WALK RAMP, LATCH
5	1	282258-01	SPRING (DOUBLE TORSION FOR LATCH)
6	2	900014-1	CAP SCREW, 3/8"-16 X 1-3/8" LG.
7	1	900014-15	CAP SCREW, 3/8"-16 X 4-1/2" LG.
8	4	901001	LOCK NUT, 5/16"-18
9	3	901002	LOCK NUT, 3/8"-16
10	4	902000-8	FLAT WASHER, 3/16"
11	5	902000-10	FLAT WASHER, 3/8"
12	2	908094-01	FLANGE BEARING, 3/8" DIA. X 3/8" LG.
13	4	900021-9	SOCKET SCREW, 5/16"-18 X 2-1/2" LG.
14	2	282346-01	FLAT
		282346-01G	FLAT, GALVANIZED
15	2	282348-01	SPACER FLAT
16	2	282347-01	WALK RAMP PAD
17	2	282344-01	STOPPER
		282344-01G	STOPPER, GALVANIZED
18	2	901010	LOCK NUT, 1/2"-13
19	1	266705-01	MAXON PLATE, 3-1/4" X 15" LG.
20	6	207644-01	RIVET, 3/16" X .40"

MAXON[®] 11921 Slauson Ave. Santa Fe Springs, CA. 90670 (800) 227-4116 FAX (888) 771-7713

DUAL STEPS (PAINTED, BOLT-ON EXTENSION PLATES ONLY)

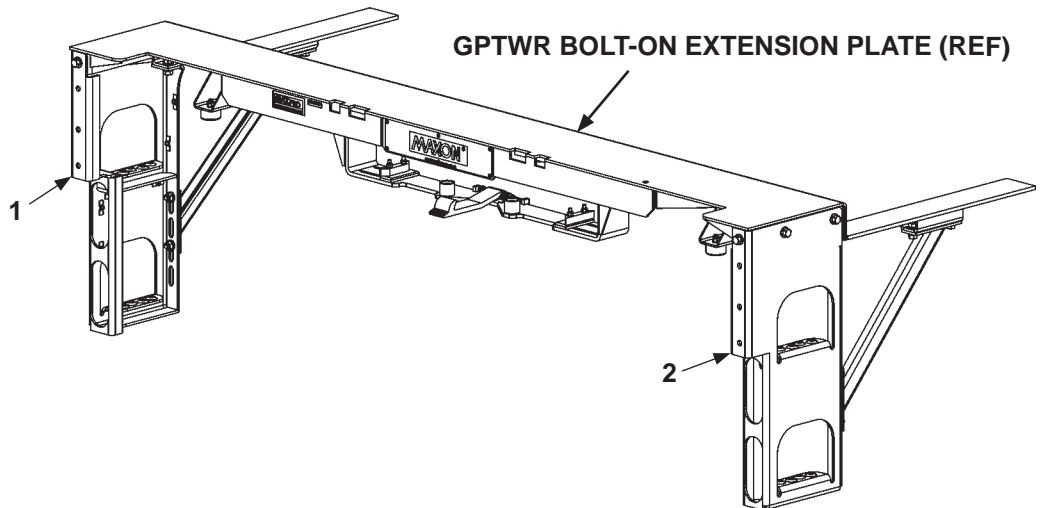
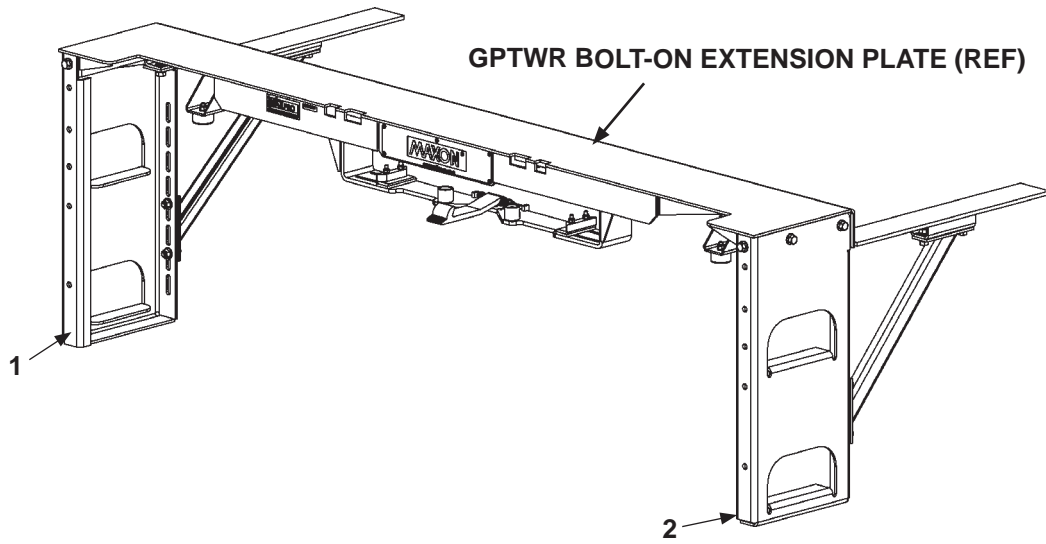
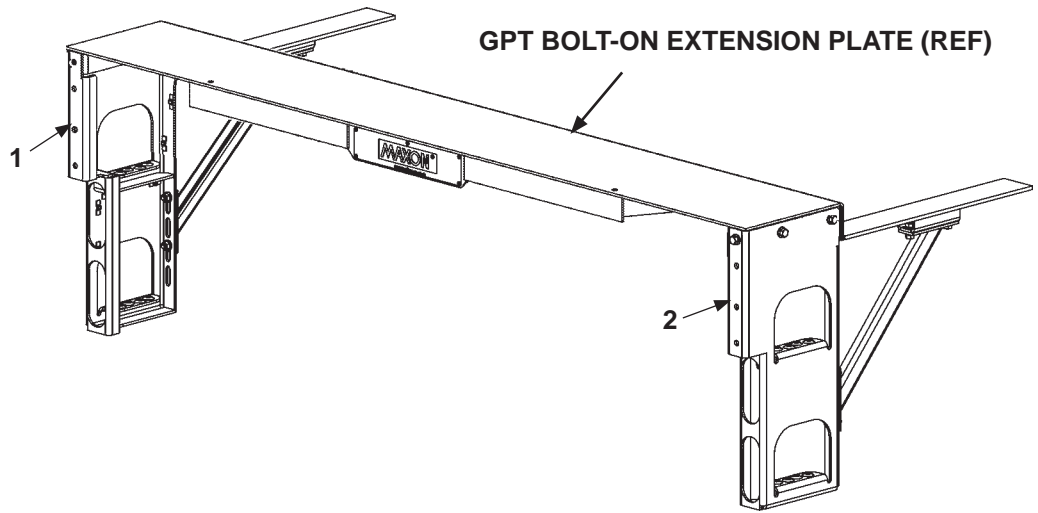
NOTE: Method of assembling bolt-on dual steps is the same for GPT and GPTWR models. Dual steps shown are only compatible with bolt-on extension plates.



ITEM	QTY.	PART NO.	DESCRIPTION
REF	1	283997-01	STEP KIT (NOT FOR LIGHTS)
		283997-02	STEP KIT (FOR OVAL LIGHTS)
1	1	283425-01	DUAL STEP, BOLT ON, LH
		284290-01	DUAL STEP, BOLT ON, LH (FOR OVAL LIGHTS)
2	1	283425-02	DUAL STEP, BOLT ON, RH
		284290-02	DUAL STEP, BOLT ON, RH (FOR OVAL LIGHTS)
3	1	283990-01	SUPPORT WELDMENT, LH
4	1	283990-02	SUPPORT WELDMENT, RH
5	2	283993-01	MOUNTING CHANNEL WELDMENT
6	2	283998-01	SPACER (1" THK, USED ONLY IF NECESSARY)
7	16	901024-1	HEX FRAME BOLT, 1/2"-13 X 1-1/4" LG.
8	20	901023	FLANGE LOCK NUT, 1/2"-13
9	4	901024-3	HEX FRAME BOLT, 1/2"-13 X 2-1/4" LG. (USE ONLY WITH SPACER)

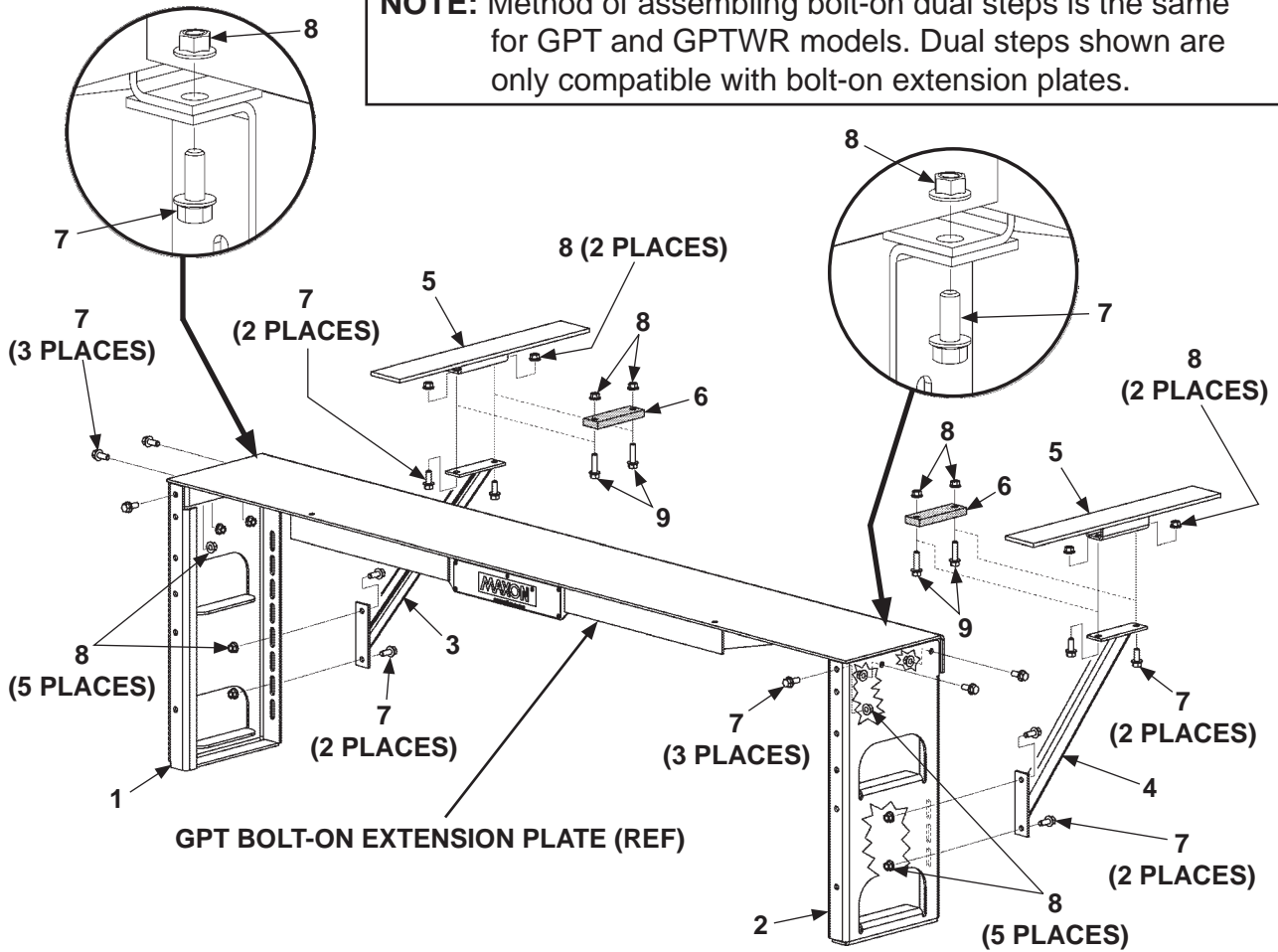
MAXON®

11921 Slauson Ave. Santa Fe Springs, CA. 90670 (800) 227-4116 FAX (888) 771-7713



DUAL STEPS (GALVANIZED, BOLT-ON EXTENSION PLATES ONLY)

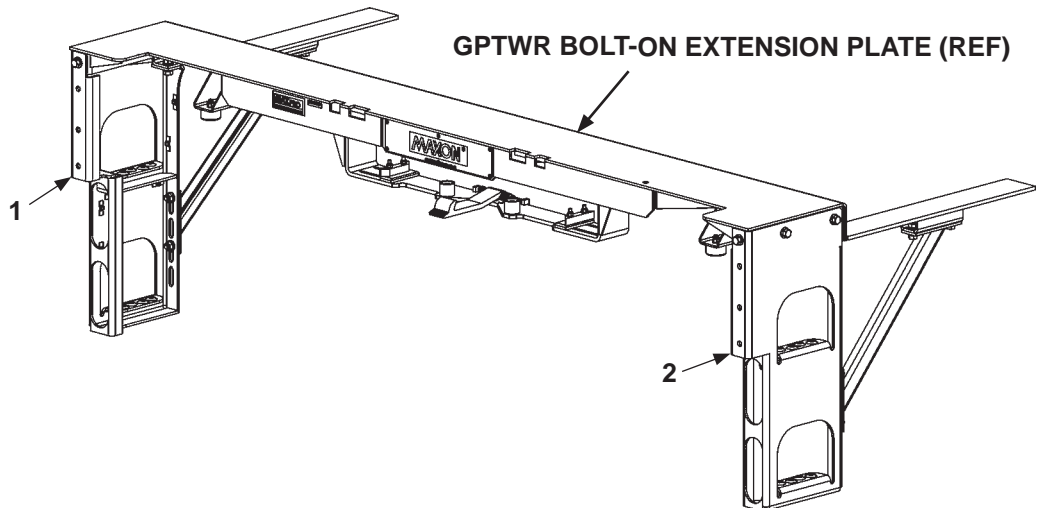
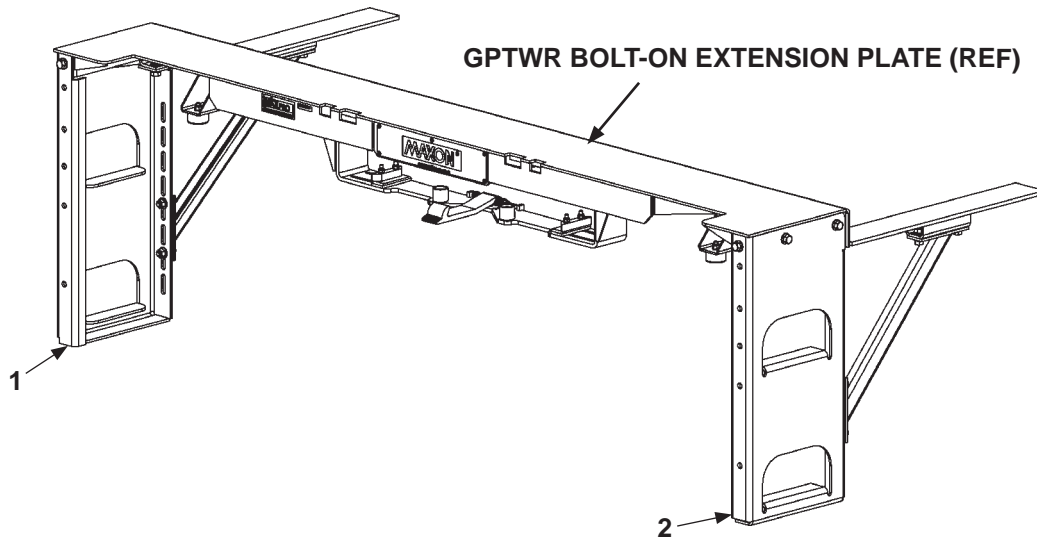
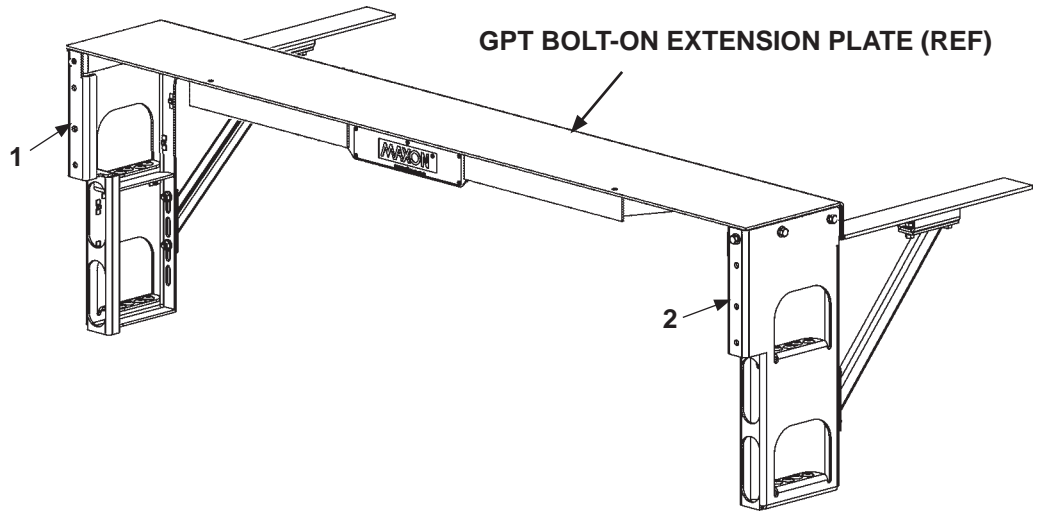
NOTE: Method of assembling bolt-on dual steps is the same for GPT and GPTWR models. Dual steps shown are only compatible with bolt-on extension plates.



ITEM	QTY.	PART NO.	DESCRIPTION
REF	1	283997-03	STEP KIT, GALVANIZED (NOT FOR LIGHTS)
		283997-04	STEP KIT, GALVANIZED (FOR OVAL LIGHTS)
1	1	283425-03	DUAL STEP, BOLT ON, LH, GALVANIZED
		284290-03	DUAL STEP, BOLT ON, LH, GALVANIZED (FOR OVAL LIGHTS)
2	1	283425-04	DUAL STEP, BOLT ON, RH, GALVANIZED
		284290-04	DUAL STEP, BOLT ON, RH, GALVANIZED (FOR OVAL LIGHTS)
3	1	283990-03	SUPPORT WELDMENT, LH, GALVANIZED
4	1	283990-04	SUPPORT WELDMENT, RH, GALVANIZED
5	2	283993-01	MOUNTING CHANNEL WELDMENT
6	2	283998-02	SPACER, GALVANIZED (1" THK, USED ONLY IF NECESSARY)
7	16	901024-1	HEX FRAME BOLT, 1/2"-13 X 1-1/4" LG.
8	20	901023	FLANGE LOCK NUT, 1/2"-13
9	4	901024-3	HEX FRAME BOLT, 1/2"-13 X 2-1/4" LG. (USE ONLY WITH SPACER)

MAXON®

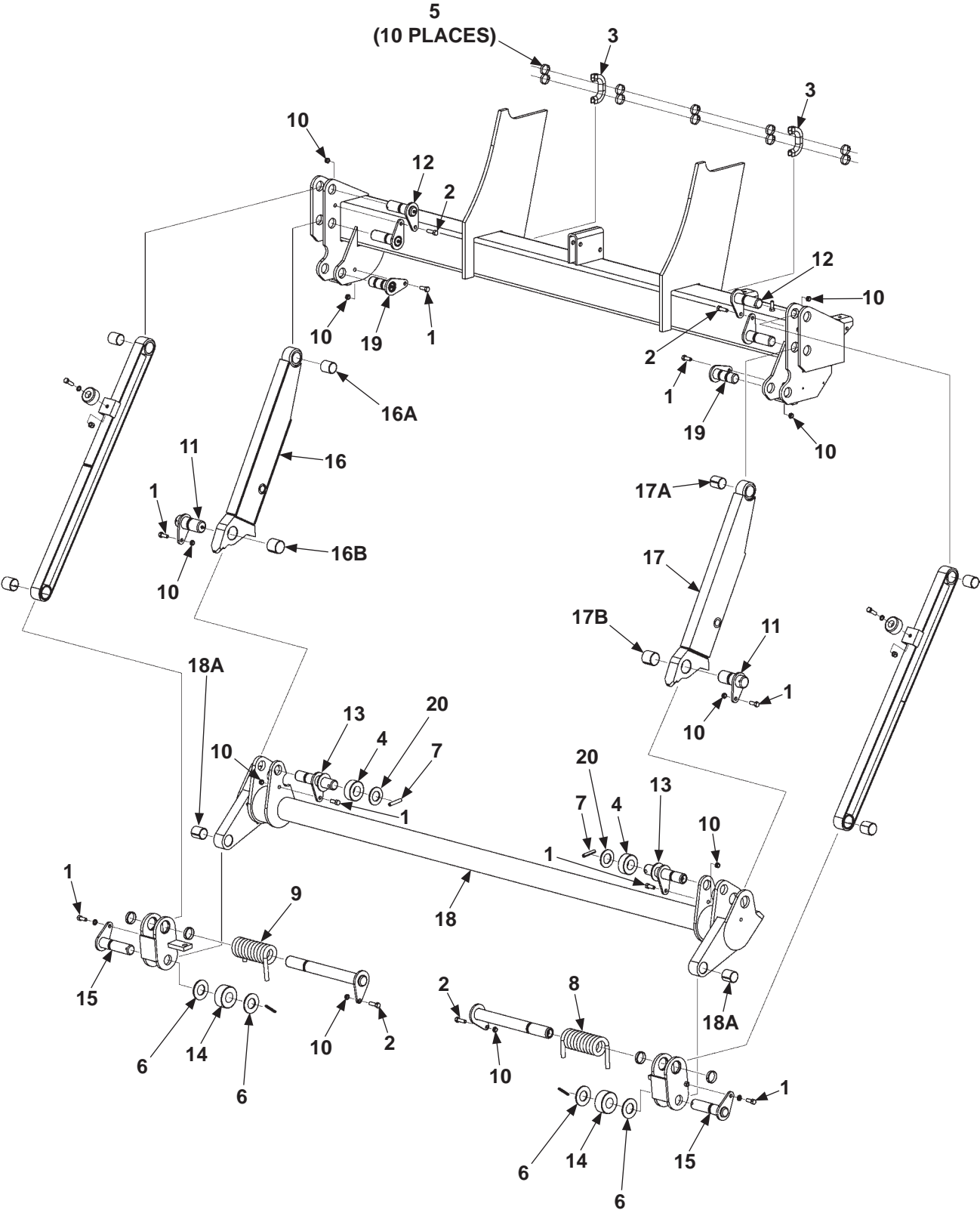
11921 Slauson Ave. Santa Fe Springs, CA. 90670 (800) 227-4116 FAX (888) 771-7713



MAIN ASSEMBLY: GPT-25, GPT-3, GPTWR-25 & GPTWR-3

MAXON[®]

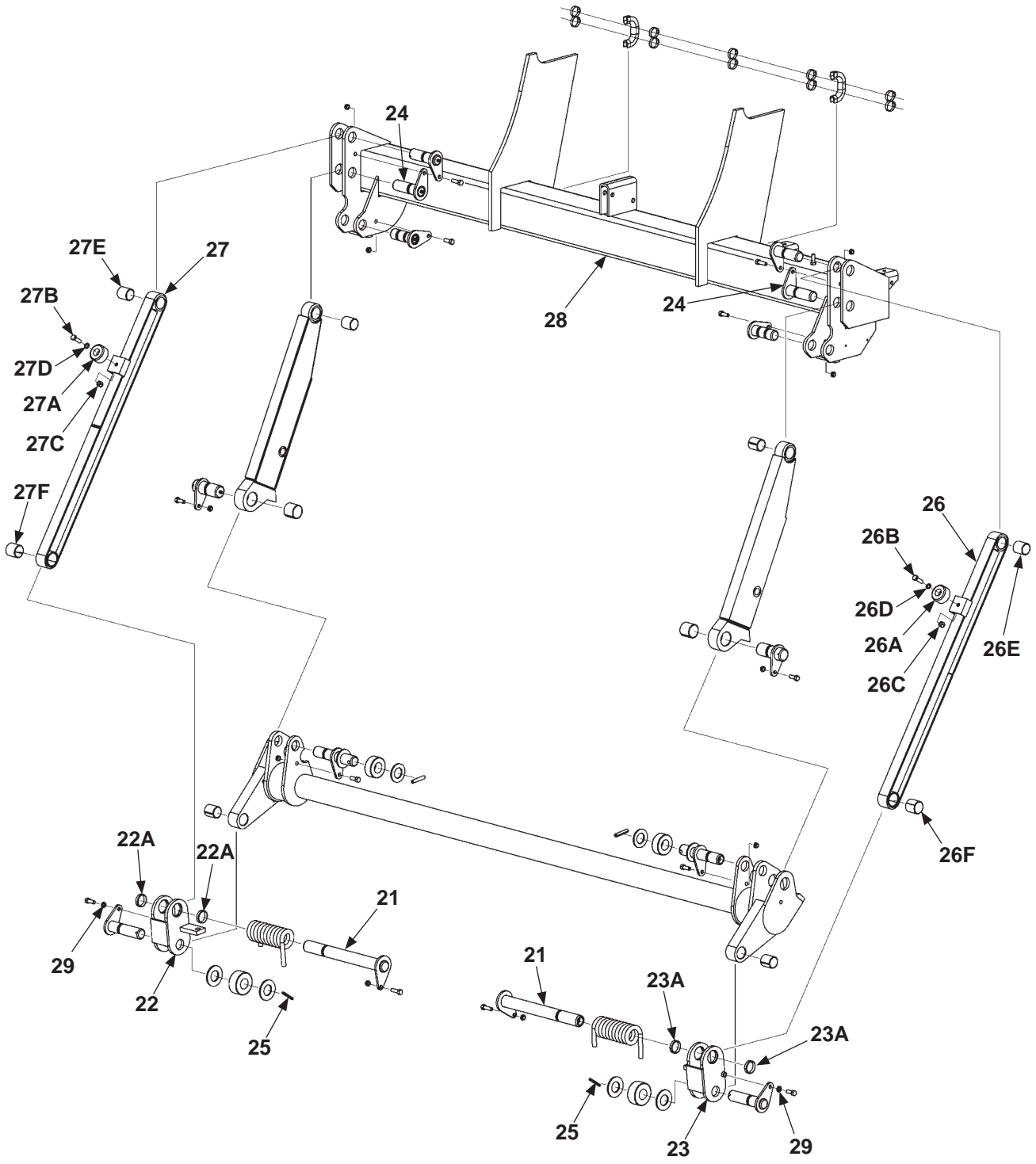
11921 Slauson Ave. Santa Fe Springs, CA. 90670 (800) 227-4116 FAX (888) 771-7713



ITEM	QTY.	PART NO.	DESCRIPTION
1	8	030034	BOLT, 3/8"-24 X 1" LG.
2	4	030035	BOLT, 3/8"-24 X 1-1/4" LG.
3	2	040103-5	LOOM, 1/2" X 5" LG.
4	2	282747-01	SUPPORT ROLLER, 2-1/2" (GPT-25/-3 MODELS ONLY)
		282747-03	SUPPORT ROLLER, 3-1/2" (GPTWR-25/-3 MODELS ONLY)
5	10	905322-01	PLASTIC TIE, 8" LG.
6	4	902013-20	FLAT WASHER, 1-1/4"
7	2	221416	ROLL PIN, 3/8" X 2" LG.
8	1	226363-01	TORSION SPRING, RH, 1/2" X 5-3/4"
9	1	226363-02	TORSION SPRING, LH, 1/2" X 5-3/4"
10	10	226941	LOCK NUT, 3/8"-24
11	2	229657-101	PIN ASSEMBLY
12	2	250310-101	PIN ASSEMBLY, PARALLEL ARM
13	2	253045-101	PIN ASSEMBLY, GPT-SERIES, GREASE
14	2	282718-01	ROLLER, 2-3/4"
15	2	282714-101	PIN ASSEMBLY, SHACKLE, 5-1/2" LG.
16	1	285630-01	LIFT ARM ASSEMBLY, LH
		285630-01G	LIFT ARM ASSEMBLY, LH, GALVANIZED
16A	1	905114-04	SELF LUBE BEARING, 1-1/4" X 1-1/2" LG.
16B	1	905115-02	SELF LUBE BEARING, 1-1/2" X 1-1/2" LG.
17	1	285630-02	LIFT ARM ASSEMBLY, RH
		285630-02G	LIFT ARM ASSEMBLY, RH, GALVANIZED
17A	1	905114-04	SELF LUBE BEARING, 1-1/4" X 1-1/2" LG.
17B	1	905115-02	SELF LUBE BEARING, 1-1/2" X 1-1/2" LG.
18	1	285631-01	LIFT FRAME ASSEMBLY
		285632-01G	LIFT FRAME ASSEMBLY, GALVANIZED
18A	2	905114-04	SELF LUBE BEARING, 1-1/4" X 1-1/2" LG.
19	2	228922-101	PIN ASSEMBLY, CYLINDER
20	2	264272	FLAT WASHER, 2-1/4"

**MAIN ASSEMBLY: GPT-25, GPT-3, GPTWR-25 & GPTWR-3
- Continued**

MAXON®
11921 Slauson Ave. Santa Fe Springs, CA. 90670 (800) 227-4116 FAX (888) 771-7713

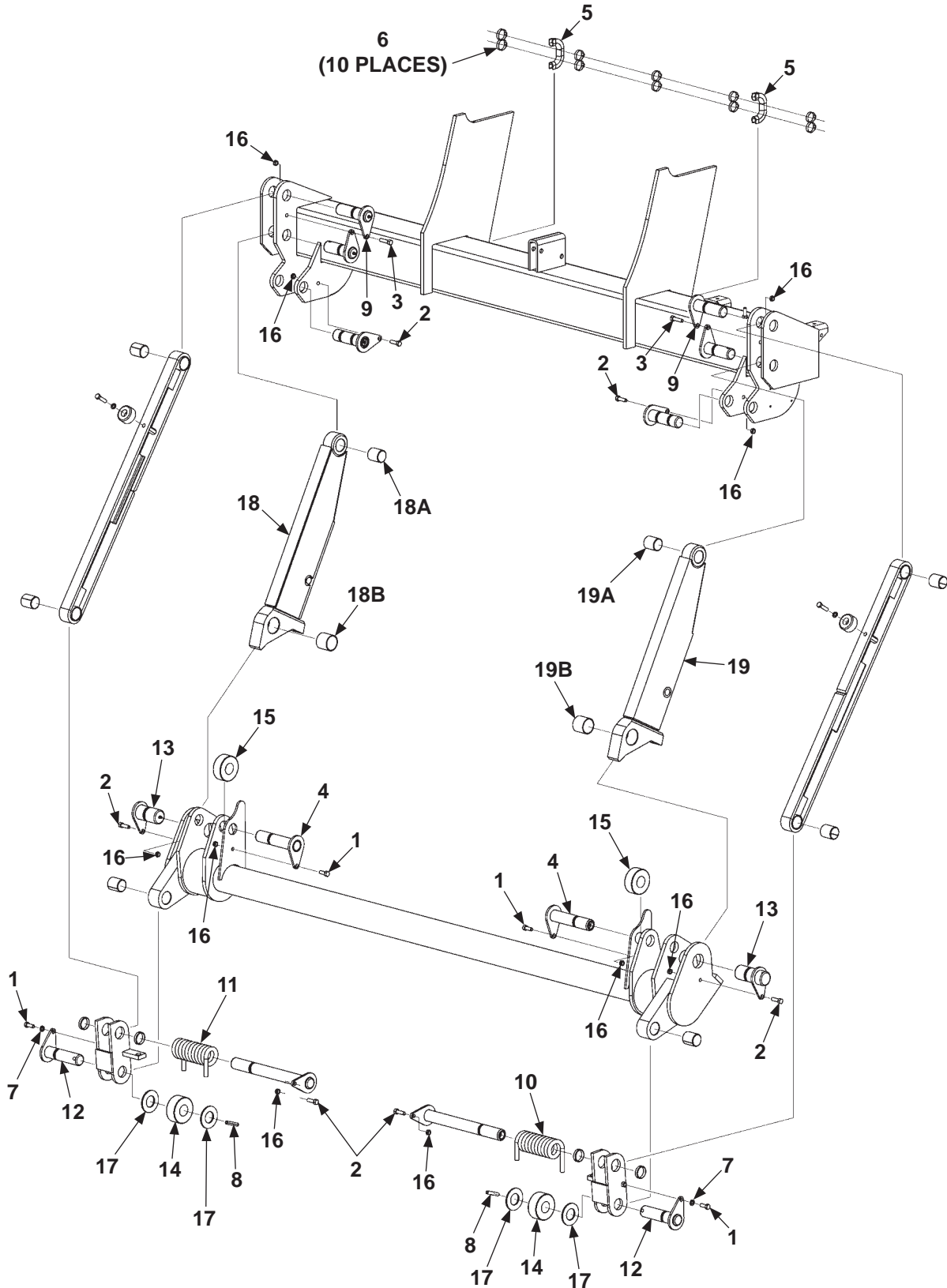


ITEM	QTY.	PART NO.	DESCRIPTION
21	2	265807-101	PIN ASSEMBLY, SPRING
22	1	265815-01	SHACKLE ASSEMBLY, LH
		265815-05	SHACKLE ASSEMBLY, LH, GALVANIZED
22A	2	905112-06	SELF LUBE BEARING, 1-3/8" X 3/8"
23	1	265815-02	SHACKLE ASSEMBLY, RH
		265815-06	SHACKLE ASSEMBLY, RH, GALVANIZED
23A	2	905112-06	SELF LUBE BEARING, 1-3/8" X 3/8"
24	2	266035-101	PIN ASSEMBLY, LIFT ARM
25	2	905033-5	ROLL PIN, 1/4" X 2" LG.
26	1	267712-02	PARALLEL ARM, RH
		267712-04	PARALLEL ARM, RH, GALVANIZED
26A	1	267708-01	NYLON BUMPER
26B	1	900014-5	CAP SCREW, 3/8"-16 X 1-1/4" LG.
26C	1	901002	LOCK NUT, 3/8"-16
26D	1	902000-10	FLAT WASHER, 3/8"
26E	1	905114-04	SELF LUBE BEARING, 1-1/4" X 1-1/2" LG.
26F	1	905112-04	SELF LUBE BEARING, 1-3/8" X 1-1/2" LG.
27	1	267712-01	PARALLEL ARM, LH
		267712-03	PARALLEL ARM, LH, GALVANIZED
27A	1	267708-01	NYLON BUMPER
27B	1	900014-5	CAP SCREW, 3/8"-16 X 1-1/4" LG.
27C	1	901002	LOCK NUT, 3/8"-16
27D	1	902000-10	FLAT WASHER, 3/8"
27E	1	905114-04	SELF LUBE BEARING, 1-1/4" X 1-1/2" LG.
27F	1	905112-04	SELF LUBE BEARING, 1-3/8" X 1-1/2" LG.
28	1	283174-01	MAIN FRAME WELDMENT (GPTB-25 & -3)
		283174-01G-100	MAIN FRAME WELDMENT, GALVANIZED (GPTB-25 & -3)
29	2	902011-4	LOCK WASHER, 3/8"

MAIN ASSEMBLY: GPT-4, GPTWR-4, GPT-5 & GPTWR-5

MAXON[®]

11921 Slauson Ave. Santa Fe Springs, CA. 90670 (800) 227-4116 FAX (888) 771-7713

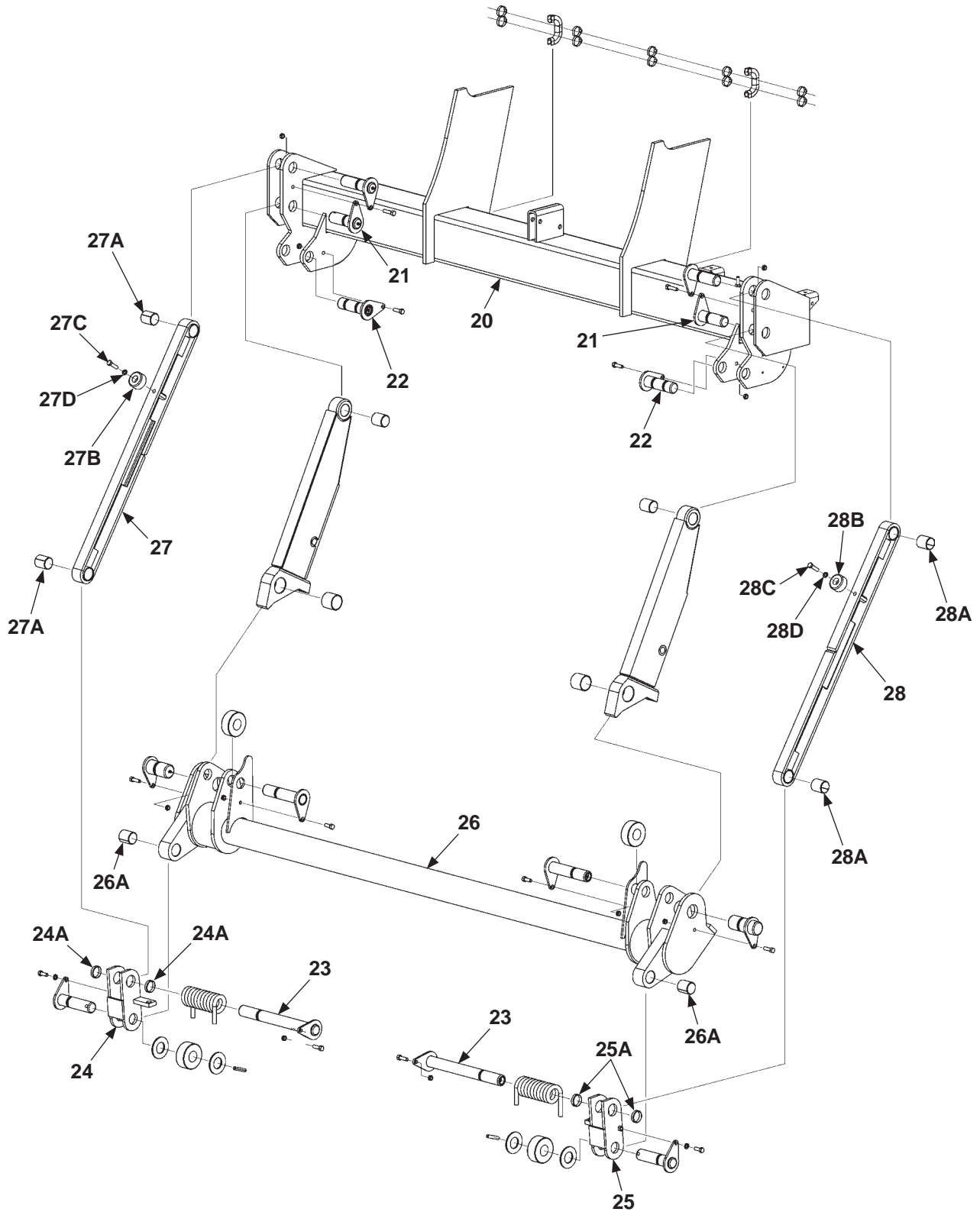


ITEM	QTY.	PART NO.	DESCRIPTION
1	4	030034	BOLT, 3/8"-24 X 1" LG, GR8
2	6	030035	BOLT, 3/8"-24 X 1-1/4" LG, GR8
3	2	030038	BOLT, 3/8"-24 X 1-1/2" LG, GR8
4	2	283395-100	PIN ASSEMBLY, CYLINDER (UPPER), 6-1/2" LG.
5	2	040103-5	SPLIT LOOM, 1/2 X 5" LG.
6	10	905322-01	PLASTIC TIE, 8" LG.
7	2	902011-4	LOCK WASHER, 3/8"
8	2	904717-06	ROLL PIN, 3/8" X 2" LG.
9	2	283327-100	PIN ASSEMBLY (PARALLEL ARM), 5" LG.
10	1	226363-01	TORSION SPRING, RH, 1/2" X 5-3/4"
11	1	226363-02	TORSION SPRING, LH, 1/2" X 5-3/4"
12	2	226365-100	PIN ASSEMBLY, SHACKLE, 5-7/8" LG.
13	2	283399-100	PIN ASSEMBLY, LIFT ARM, 4-1/2" LG.
14	2	282718-02	SHACKLE ROLLER, 3-1/4" O.D.
15	2	282747-02	SUPPORT ROLLER, 3-1/8" O.D. (GPT/GPTWR-4 & -5 MODELS ONLY)
16	10	226941	NYLON LOCK NUT, 3/8"-24
17	4	902013-21	FLAT WASHER, 1-3/8"
18	1	285634-01	LIFT ARM WELDMENT, LH
	1	285634-01G	LIFT ARM WELDMENT, LH, GALVANIZED
18A	1	905112-07	SELF LUBE BEARING, 1-3/8" X 1-3/4" LG.
18B	1	905113-03	SELF LUBE BEARING, 1-3/4" X 1-3/4" LG.
19	1	285634-02	LIFT ARM WELDMENT, RH
		285634-02G	LIFT ARM WELDMENT, RH, GALVANIZED
19A	1	905112-07	SELF LUBE BEARING, 1-3/8" X 1-3/4" LG.
19B	1	905113-03	SELF LUBE BEARING, 1-3/4" X 1-3/4" LG.

MAIN ASSEMBLY: GPT-4, GPTWR-4, GPT-5 & GPTWR-5 - Continued

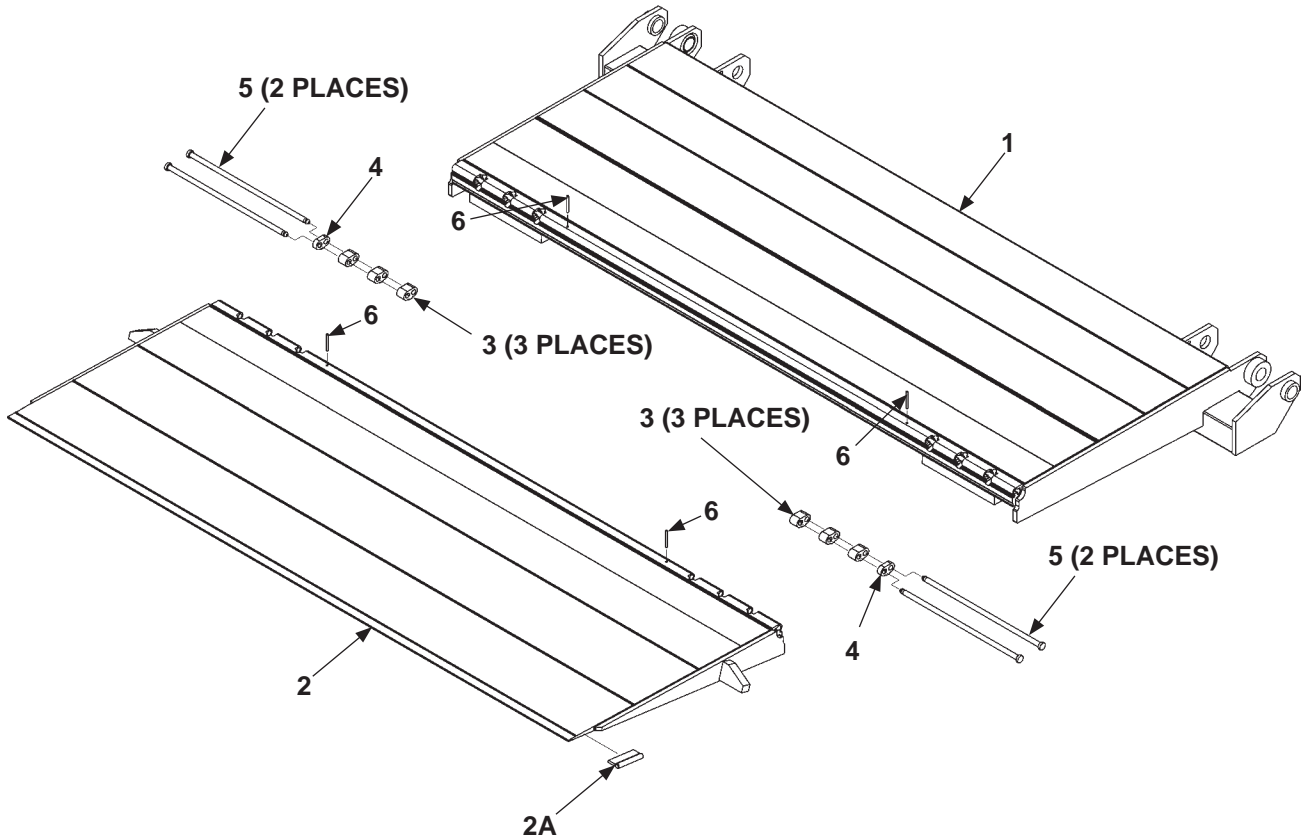
MAXON[®]

11921 Slauson Ave. Santa Fe Springs, CA. 90670 (800) 227-4116 FAX (888) 771-7713



ITEM	QTY.	PART NO.	DESCRIPTION
20	1	283901-01	MAIN FRAME WELDMENT
		283901-01-201G	MAIN FRAME WELDMENT, GALVANIZED
21	2	266033-100	PIN ASSEMBLY, GREASE FTG, 4-1/2" LG.
22	2	283397-100	PIN ASSEMBLY, CYLINDER (LOWER), 4-7/8" LG.
23	2	265807-101	PIN ASSEMBLY, SPRING
24	1	265813-01	SHACKLE ASSEMBLY, LH
		265813-01G	SHACKLE ASSEMBLY, LH, GALVANIZED
24A	2	905112-06	SELF LUBE BEARING, 1-3/8" X 3/8" LG.
25	1	265813-02	SHACKLE ASSEMBLY, RH
		265813-02G	SHACKLE ASSEMBLY, RH, GALVANIZED
25A	2	905112-06	SELF LUBE BEARING, 1-3/8" X 3/8" LG.
26	1	285635-01	LIFT FRAME WELDMENT
		285633-01G	LIFT FRAME WELDMENT, GALVANIZED
26A	2	905112-07	SELF LUBE BEARING, 1-3/8" X 1-3/4" LG.
27	1	268232-01	PARALLEL ARM, LH
		284483-01G	PARALLEL ARM, LH, GALVANIZED
27A	2	905112-07	SELF LUBE BEARING, 1-3/8" X 1-3/4" LG.
27B	1	267708-01	NYLON BUMPER
27C	1	900014-6	CAP SCREW, 3/8"-16 X 1-1/2" LG.
27D	1	902011-4	LOCK WASHER, 3/8"
28	1	268232-02	PARALLEL ARM, RH
		284483-02G	PARALLEL ARM, RH, GALVANIZED
28A	2	905112-07	SELF LUBE BEARING, 1-3/8" X 1-3/4" LG.
28B	1	267708-01	NYLON BUMPER
28C	1	900014-6	CAP SCREW, 3/8"-16 X 1-1/2" LG.
28D	1	902011-4	LOCK WASHER, 3/8"

PLATFORM & FLIPOVER ASSEMBLY

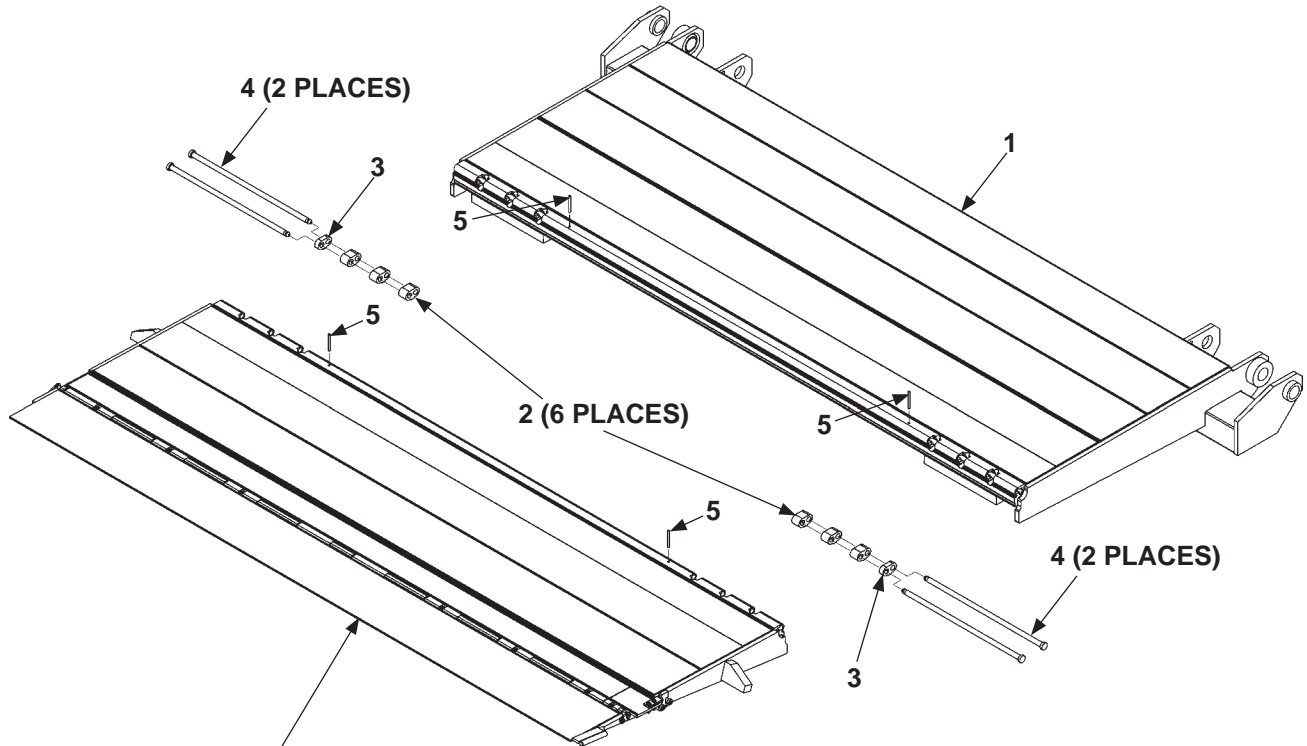


ITEM	QTY.	PART NO.	DESCRIPTION
REF	1	282365-01	PLATFORM & FLIPOVER ASSEMBLY
1	1	282359-01	PLATFORM WELDMENT, 30"
2	1	282362-01	FLIPOVER WELDMENT, 30"
2A	1	265819-01	HANDLE WELDMENT
3	6	311046-10	LINK SPACER, 1" LG.
4	2	311046-11	LINK SPACER, 1/2" LG.
5	4	285963-02	PIN, HINGE
6	4	904719-17	ROLL PIN, 3/16" X 2" LG.

MAXON[®]

11921 Slauson Ave. Santa Fe Springs, CA. 90670 (800) 227-4116 FAX (888) 771-7713

PLATFORM & FLIPOVER ASSEMBLY WITH CART STOPS



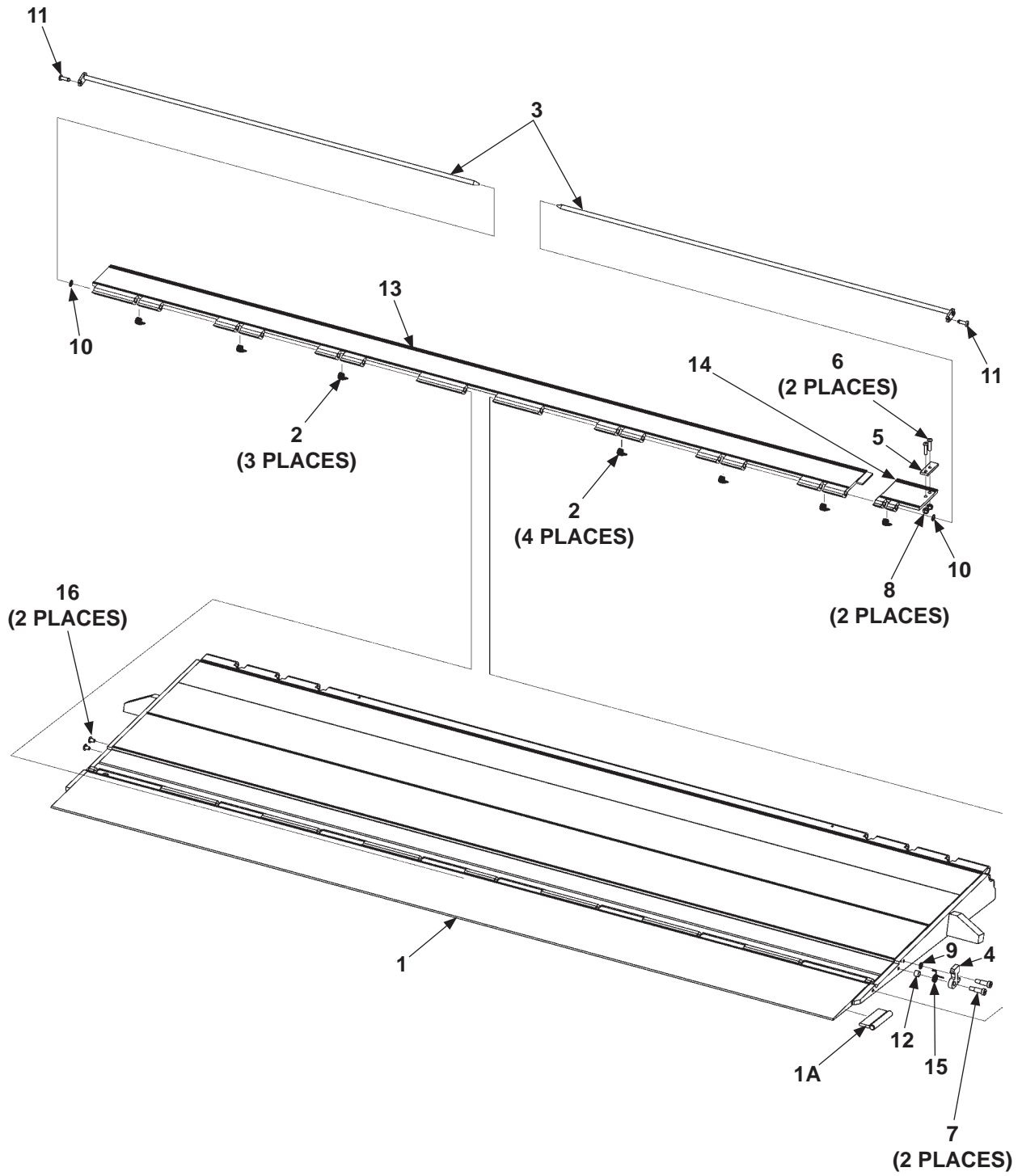
REFER TO FLIPOVER WITH SINGLE
CART STOP OR FLIPOVER WITH DUAL
CART STOPS (SINGLE IS SHOWN)

ITEM	QTY.	PART NO.	DESCRIPTION
REF	1	282715-01	PLATFORM & FLIPOVER ASSY, AL, SINGLE CART STOP
		282715-02	PLATFORM & FLIPOVER ASSY, AL, DUAL CART STOPS
1	1	282359-01	PLATFORM WELDMENT, 30"
2	6	311046-10	LINK SPACER, 1" LG.
3	2	311046-11	LINK SPACER, 1/2" LG.
4	4	285963-02	PIN, HINGE
5	4	904719-17	ROLL PIN, 3/16" X 2" LG.

FLIPOVER WITH SINGLE CART STOP

MAXON®

11921 Slauson Ave. Santa Fe Springs, CA. 90670 (800) 227-4116 FAX (888) 771-7713

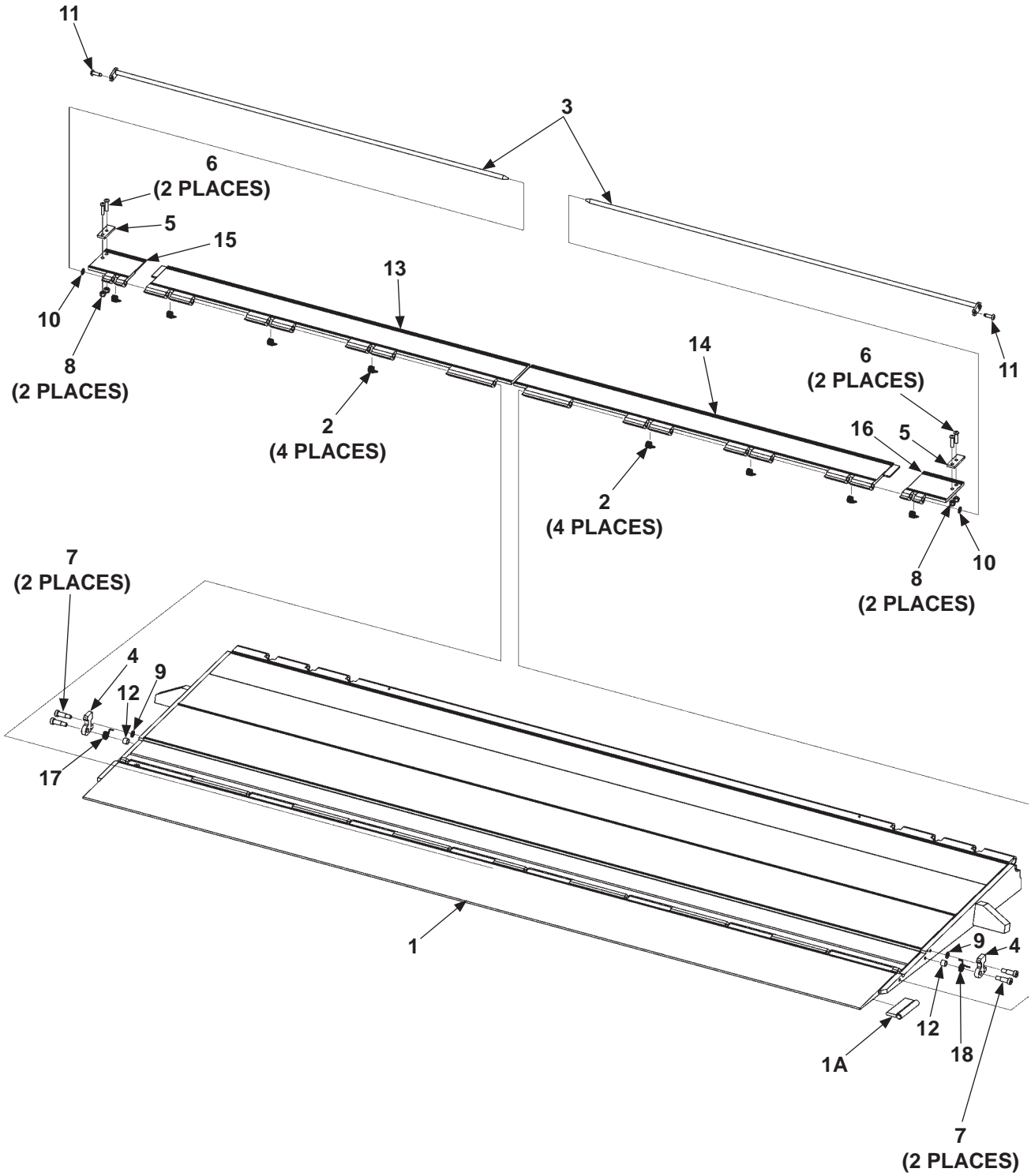


ITEM	QTY.	PART NO.	DESCRIPTION
REF	1	282716-01	FLIPOVER ASSEMBLY, SINGLE CART STOP
1	1	282717-01	FLIPOVER WELDMENT, SINGLE CART STOP
1A	1	265819-01	HANDLE WELDMENT
2	7	282729-01	CART STOP SPRING
3	2	282738-01	PIN WELDMENT
4	1	282739-01	CART STOP LOCKING HOOK
5	1	282748-01	CART STOP LOCK SUPPORT FLAT
6	2	900005-4	BUTTON SCREW, 1/4"-20 X 1" LG.
7	2	900723-05	SHOULDER SCREW, 3/8" X 3/4" LG.
8	2	901000	LOCK NUT, 1/4"-20
9	1	902000-8	FLAT WASHER, 5/16"
10	2	903402-08	FLAT WASHER, 3/8", NYLON
11	2	903715-06	RIVET, 1/4" X 5/8"-3/4"
12	1	905328-01	BEARING, 3/8" X 3/8" LG, NYLON
13	1	282726-01	SINGLE CART STOP
14	1	282723-02	CART STOP LOCK-HINGE, RH
15	1	282749-02	HOOK SPRING, RH
16	2	908022-07	FLEXIBLE PLUG

FLIPOVER WITH DUAL CART STOPS

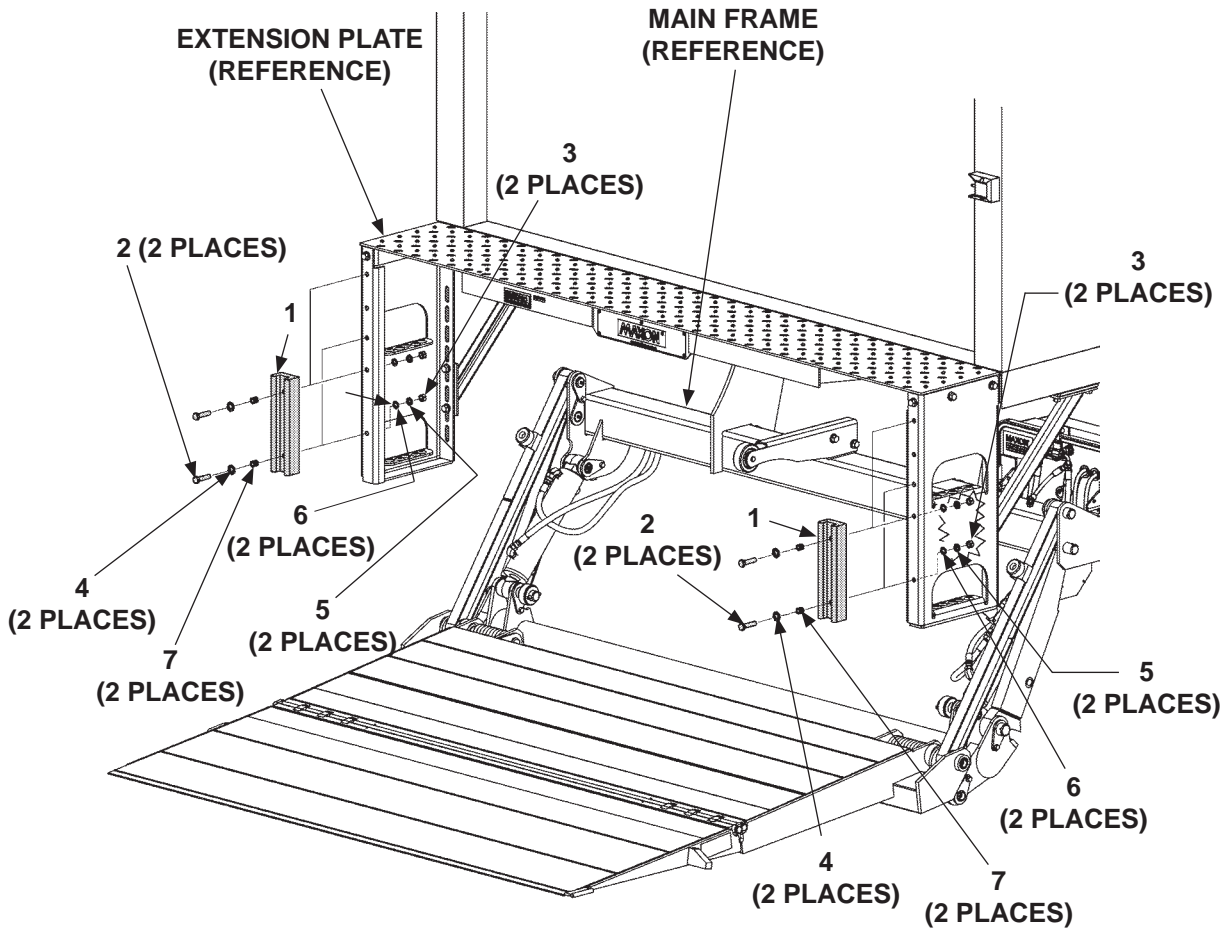
MAXON®

11921 Slauson Ave. Santa Fe Springs, CA. 90670 (800) 227-4116 FAX (888) 771-7713



ITEM	QTY.	PART NO.	DESCRIPTION
REF	1	282716-02	FLIPOVER ASSEMBLY, DUAL CART STOPS
1	1	282717-01	FLIPOVER WELDMENT, SINGLE CART STOP
1A	1	265819-01	HANDLE WELDMENT
2	8	282729-01	CART STOP SPRING
3	2	282738-01	PIN WELDMENT
4	2	282739-01	CART STOP LOCKING HOOK
5	2	282748-01	CART STOP LOCK SUPPORT FLAT
6	4	900005-4	BUTTON SCREW, 1/4"-20 X 1" LG.
7	4	900723-05	SHOULDER SCREW, 3/8" X 3/4" LG.
8	4	901000	LOCK NUT, 1/4"-20, NYLON
9	2	902000-8	FLAT WASHER, 5/16"
10	2	903402-08	FLAT WASHER, 3/8"
11	2	903715-06	RIVET, 1/4" X 5/8"-3/4"
12	2	905328-01	BEARING, 3/8" X 3/8" LG, NYLON
13	1	282726-02	DUAL CART STOP, LH
14	1	282726-03	DUAL CART STOP, RH
15	1	282723-01	CART STOP LOCK-HINGE, LH
16	1	282723-02	CART STOP LOCK-HINGE, RH
17	1	282749-01	HOOK SPRING, LH
18	1	282749-02	HOOK SPRING, RH

RUBBER BUMPERS

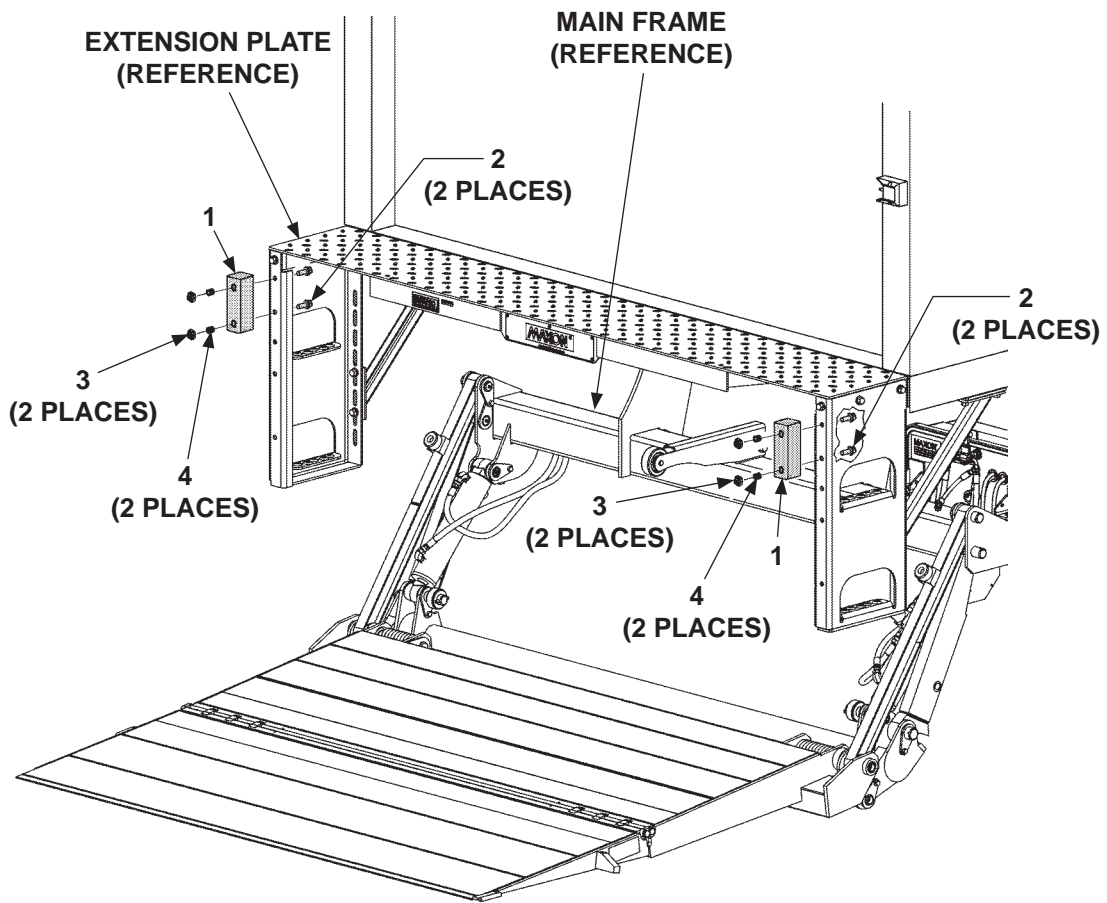


NOTE: Ensure tops of 4 bushings are flush with top of bolt holes in each bumper.
Torque the 4 hex nuts from **21 to 32 lb-ft force**.

ITEM	QTY.	PART NO.	DESCRIPTION
REF	1	203410	RUBBER DOCK BUMPER KIT
1	2	222988	BUMPER, 3" WIDE X 12" LG.
2	4	900033-5	CAP SCREW, 1/2"-20 X 2" LG.
3	4	901011-10	HEX NUT, 1/2"-20
4	4	902000-26	FLAT WASHER, 1/2" X 1-1/4" O.D.
5	4	902011-6	LOCK WASHER, 1/2"
6	4	902000-14	FLAT WASHER, 1/2"
7	4	284318-02	BUSHING, 1" LG.

MAXON[®]

11921 Slauson Ave. Santa Fe Springs, CA. 90670 (800) 227-4116 FAX (888) 771-7713



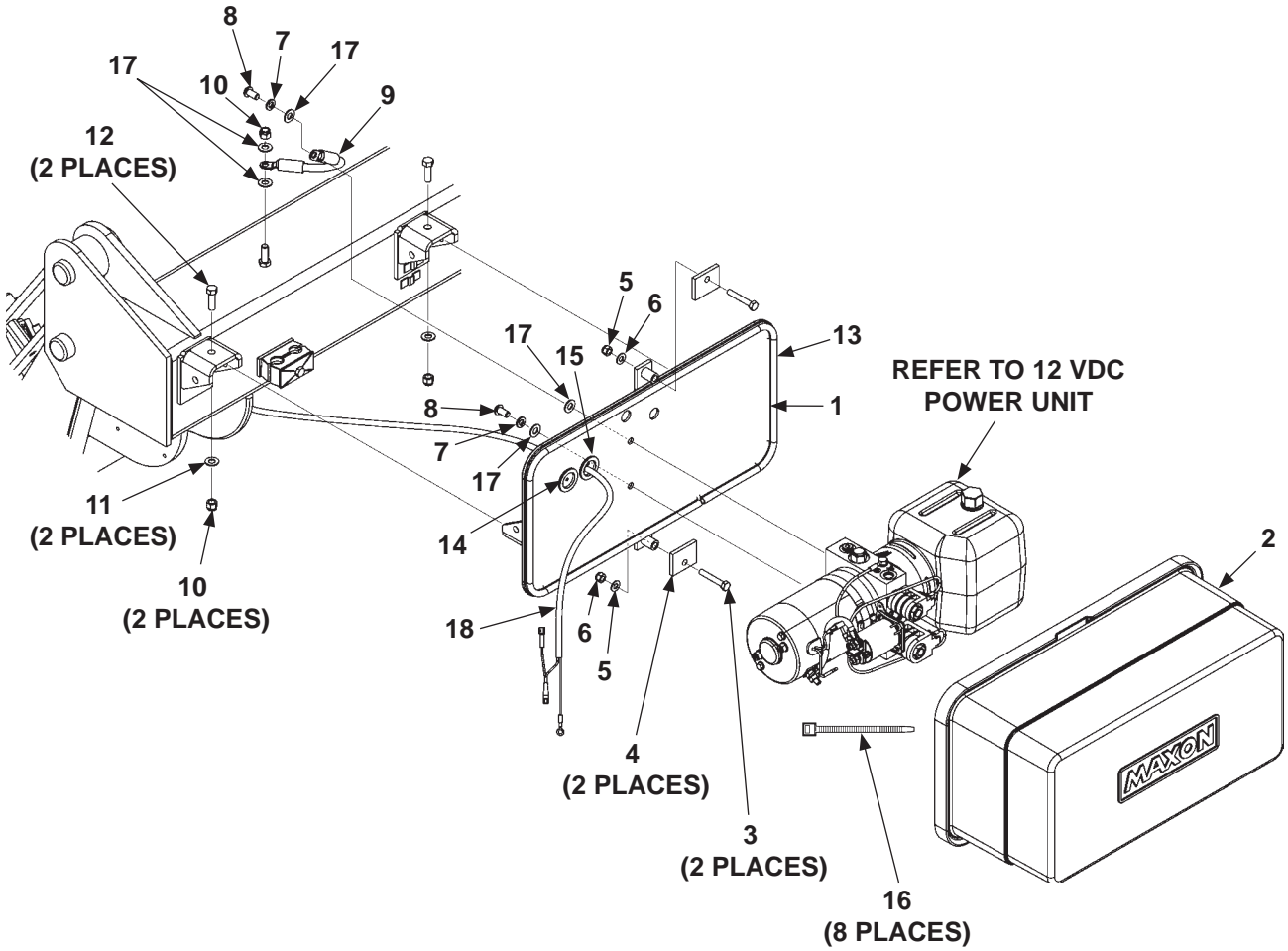
NOTE: Ensure tops of 4 bushings are flush with top of bolt holes in each bumper. Torque the 4 hex nuts from **21 to 32 lb-ft force**.

ITEM	QTY.	PART NO.	DESCRIPTION
REF	1	281305-01	DOCK BUMPER KIT
1	2	905316-01	BUMPER, 2-3/8" WIDE 7-3/4" LG.
2	4	901024-2	HEX FRAME BOLT, 1/2"-13 X 1-3/4" LG.
3	4	901023	FLANGE LOCK NUT, 1/2"-13
4	4	284318-01	BUSHING, 3/4" LG.

PUMP ASSEMBLY

MAXON®

11921 Slauson Ave. Santa Fe Springs, CA. 90670 (800) 227-4116 FAX (888) 771-7713



ITEM	QTY.	PART NO.	DESCRIPTION
REF	1	282800-01	PUMP ASSY, HEAVY DUTY, POWER DOWN
		282800-01G	PUMP ASSY, HEAVY DUTY, POWER DOWN, GALVANIZED
1	1	267992-01	PLATE, PUMP MOUNT
		267992-04	PLATE, PUMP MOUNT, GALVANIZED
2	1	281038-02	PUMP COVER
3	2	900009-8	CAP SCREW, 5/16"-18 X 2" LG, GR8
4	2	281062-02	FLAT, HOLDER
5	2	901001	NYLON LOCK NUT, 5/16"-18
6	2	902013-10	FLAT WASHER, 5/16"
7	2	902011-4	LOCK WASHER, 3/8"
8	2	900064-04	BUTTON SCREW, 3/8"-16 X 7/8" LG.
9	1	251871-25	CABLE ASSY
10	3	901002	NYLON LOCK NUT, 3/8"-16
11	2	902001-2	FLAT WASHER, 3/8"
12	2	900014-5	HEX CAP SCREW, 3/8"-16 X 1-1/4" LG, GR8
13	1	093203-10	NEOPRENE SEAL, 60" LG.
14	1	266428-01	GROMMET, 1" O.D. X 3/16" I.D.
15	1	266428-12	GROMMET, 1" O.D. WITH 3/8" & 5/16" HOLES
16	10	208153	PLASTIC TIE, 4" LG. (CONTROL CABLE & PUMP WIRING)
17	5	902013-11	FLAT WASHER, 3/8"
18	1	282625-01	LOCK VALVE CABLE ASSEMBLY

HYDRAULIC COMPONENTS - POWER DOWN

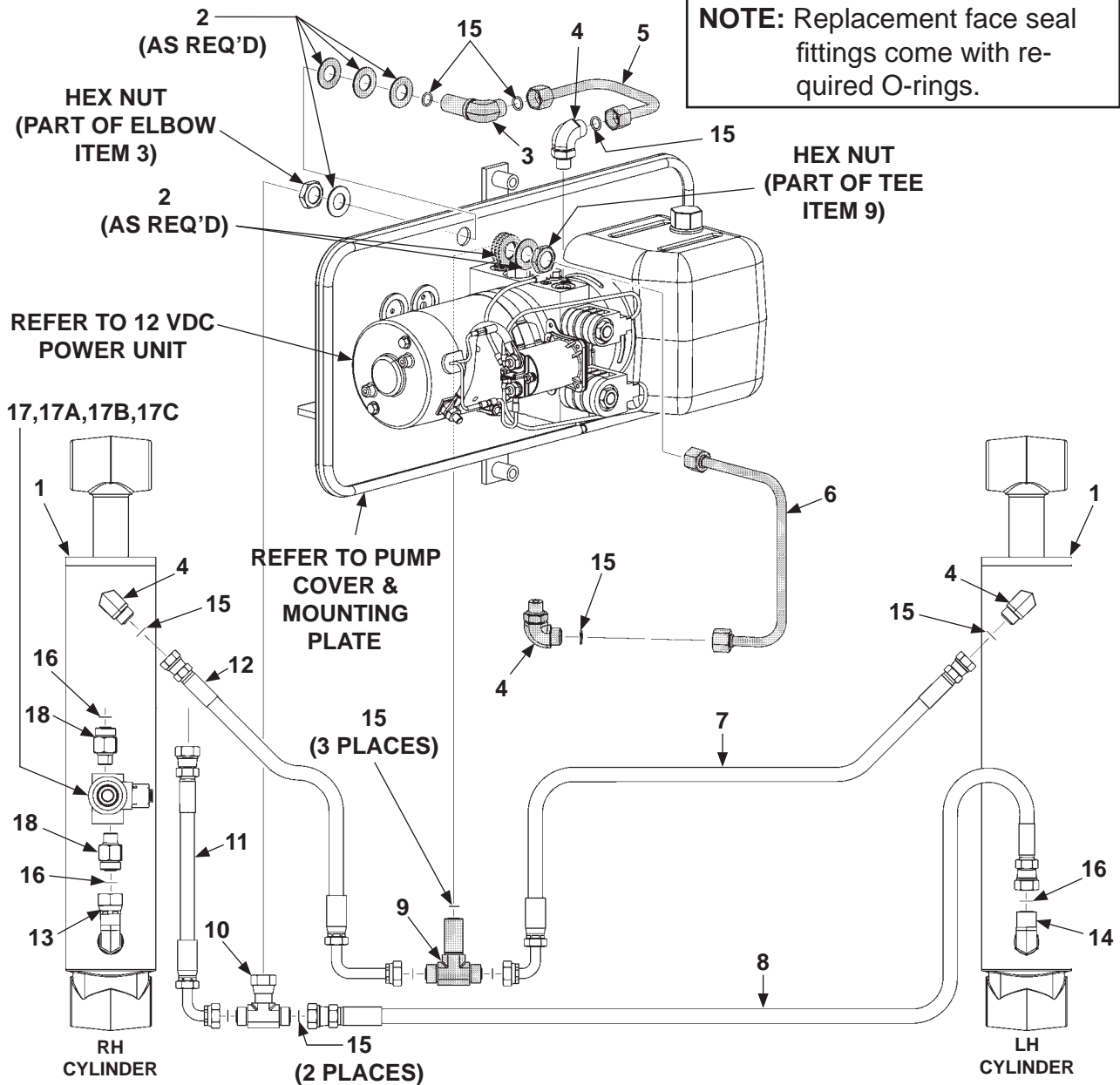
CAUTION

If the Liftgate is equipped with a bumper (ICC-type), replacement hydraulic hoses must be routed with sufficient clearance from the bumper. The clearance prevents the hoses from rubbing or getting caught on the bumper.

NOTE: When replacing internal steel hydraulic lines, bulkhead tee or elbow, ensure tee & elbow are shimmed correctly to mounting plate with **ITEM 2**.

- Fittings that connect lines to pump should be in correct position & tight.
- Steel line is installed fingertight while measuring gap between tee & mounting plate or elbow & mounting plate. Add correct number of shims to fill gap.
- Position and tighten the bulkhead tee or elbow and steel line fittings.

NOTE: Replacement face seal fittings come with required O-rings.



CAUTION

To prevent misalignment, strain & damage to steel hydraulic lines inside pump box, ensure bulkhead tee (ITEM 9) & elbow (ITEM 3) are shimmed correctly to mounting plate. Shimming with ITEM 2 allows correct alignment of the face seals & removes strain from internal hydraulic lines.

CAUTION

To prevent hydraulic lock from being damaged, torque replacement valve cartridge to 25 lbs.-ft. & coil nut to 4-6 lbs.-ft.

ITEM	QTY.	PART NO.	DESCRIPTION
1	2	266037-01	CYLINDER, 2-3/4" DIA. x 10" STROKE (GPT-25, GPT-3, GPTWR-25 & GPTWR-3)
		266038-01	CYLINDER, 3" DIA. x 10" STROKE (GPT-4 & GPTWR-4)
		266039-01	CYLINDER, 3-1/2" x 10" STROKE (GPT-5 & GPTWR-5)
2	6	902028-12	FLAT WASHER, 1-1/4" O.D. X 3/4" I.D.
3	1	905162	ELBOW, BULKHEAD UNION, SAE #6, FACE SEAL O-RING
4	4	906707-01	ELBOW, SAE #6, FACE SEAL O-RING, M-M
5	1	282891-01	TUBE ASSY, UP LINE
6	1	282892-01	TUBE ASSY, DOWN LINE
7	1	283376-01	HOSE ASSY, 3/8" HP, SAE #6-#6, 104" LG.
8	1	283375-01	HOSE ASSY, 3/8" HP, SAE #6-#8, 109" LG.
9	1	906810-01	BRANCH TEE, BULKHEAD, SAE #6, FACE SEAL O-RING
10	1	906802-01	BRANCH TEE, SWIVEL NUT, SAE #6, FACE SEAL O-RING
11	1	283375-02	HOSE ASSY, 3/8" HP, SAE #6-#8, 42-1/2" LG.
12	1	283374-01	HOSE ASSY, 3/8" HP, SAE #6-#6, 36" LG.
13	1	906763-01	ELBOW, CONNECTOR, #8 O-RING M, #8 FACE SEAL F
14	1	906704-01	ELBOW, SAE #8, FACE SEAL O-RING, M-M
15	11	906712-02	O-RING #6 (3/8" FACE SEAL TUBE-END)
16	3	906712-03	O-RING #8 (1/2" FACE SEAL TUBE-END)
17	1	282744-01	HYDRAULIC LOCK VALVE ASSEMBLY
17A	1	906841-01	COIL, IMMERSION PROOF, 12 VDC (SEE CAUTION ABOVE.)
17B	1	906840-01	CARTRIDGE VALVE (SEE CAUTION ABOVE.)
17C	1	906840-02	NUT, CARTRIDGE VALVE
18	2	906762-01	CONNECTOR, #8 FACE SEAL, #6 O-RING, M-M

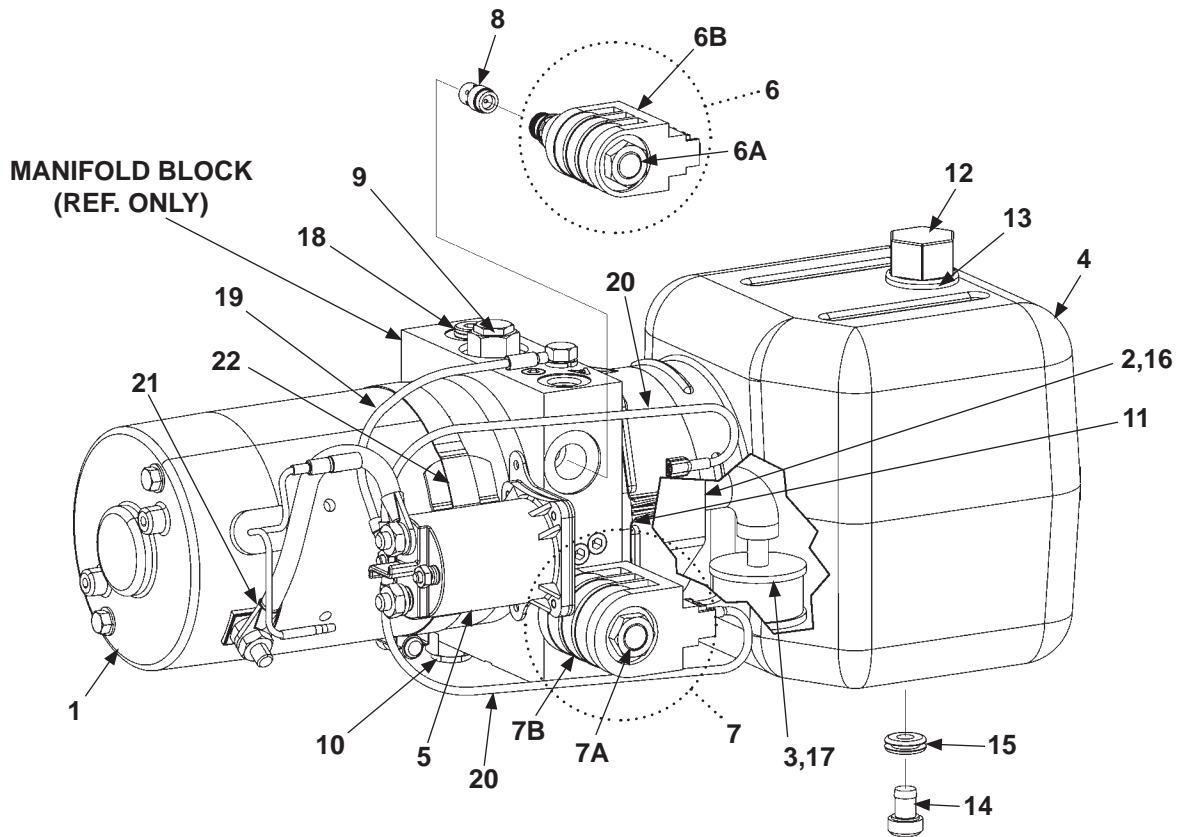
12 VDC POWER UNIT

CAUTION

Do not over-tighten the terminal nuts on starter solenoid. For the load terminals, torque nuts to 40 lbs.-in. max. Torque the nuts on #10-32 control terminals 15-20 lbs.-in.

CAUTION

To prevent damage when installing 2-way valves, torque valve cartridge nut to 30 lbs.-in. max.



MAXON[®]

11921 Slauson Ave. Santa Fe Springs, CA. 90670 (800) 227-4116 FAX (888) 771-7713

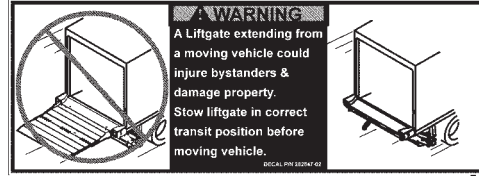
ITEM	QTY.	PART NO.	DESCRIPTION
REF	1	267991-01	12 VDC POWER UNIT
1	1	268011-01	MOTOR, 12 VDC, HEAVY DUTY
2	1	268021-01	PUMP ASSEMBLY
3	1	290034	FILTER, PUMP INLET
4	1	268020-01	RESERVOIR, SQUARE CUT, 1 GALLON
5	1	284080-01	SWITCH, SOLENOID ASSY, 12VDC
6	1	290043	VALVE ASSEMBLY, 2-WAY (2-POLE)
6A	1	290044	VALVE CARTRIDGE (2-WAY VALVE)
6B	1	290045	COIL, DOUBLE SPADE (2-WAY VALVE)
7	1	290046	VALVE ASSEMBLY, 4-WAY (2-POLE)
7A	1	290047	VALVE CARTRIDGE (4-WAY VALVE)
7B	1	290048	COIL, DOUBLE SPADE (4-WAY VALVE)
8	1	268017-01	FLOW CONTROL VALVE, 4 GPM
9	1	906738-02	RELIEF VALVE, ADJUSTABLE, 3200 PSI
10	1	268174-01	RELIEF VALVE, ADJUSTABLE, 1100 PSI
11	1	290061	SEAL, SQUARE CUT (FOR RESERVOIR)
12	1	280806-01	FILLER, BREATHER CAP
13	1	908016-01	GROMMET (FILLER CAP)
14	1	908017-01	PLUG, DRAIN PORT
15	1	908018-01	RUBBER GROMMET, 5/16" I.D. (DRAIN PLUG)
16	1	260261	OIL SEAL, PUMP 0
17	1	290020	O-RING (NOT SHOWN)
18	1	261067	PLUG, O-RING, SAE #6
19	1	268027-01	WIRE ASSY, 18 GA (#10 RING & 5/16" RING TERMINALS)
20	2	268016-01	WIRE ASSY (#10 RING & QUICK DISCONN. TERMINALS)
21	1	280543	CABLE ASSEMBLY
22	1	268019-01	CLAMP, STARTER SOLENOID

DECALS (GPT)

NOTE: Ensure there is no residue, dirt or corrosion where decals are attached. If necessary, clean surface before attaching decals.



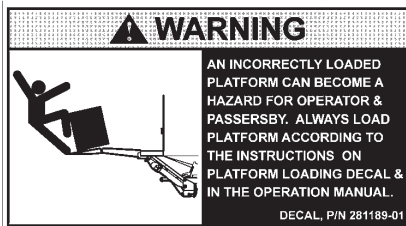
DECAL "H" (2 PLACES)



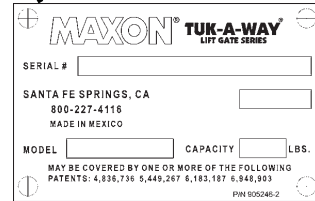
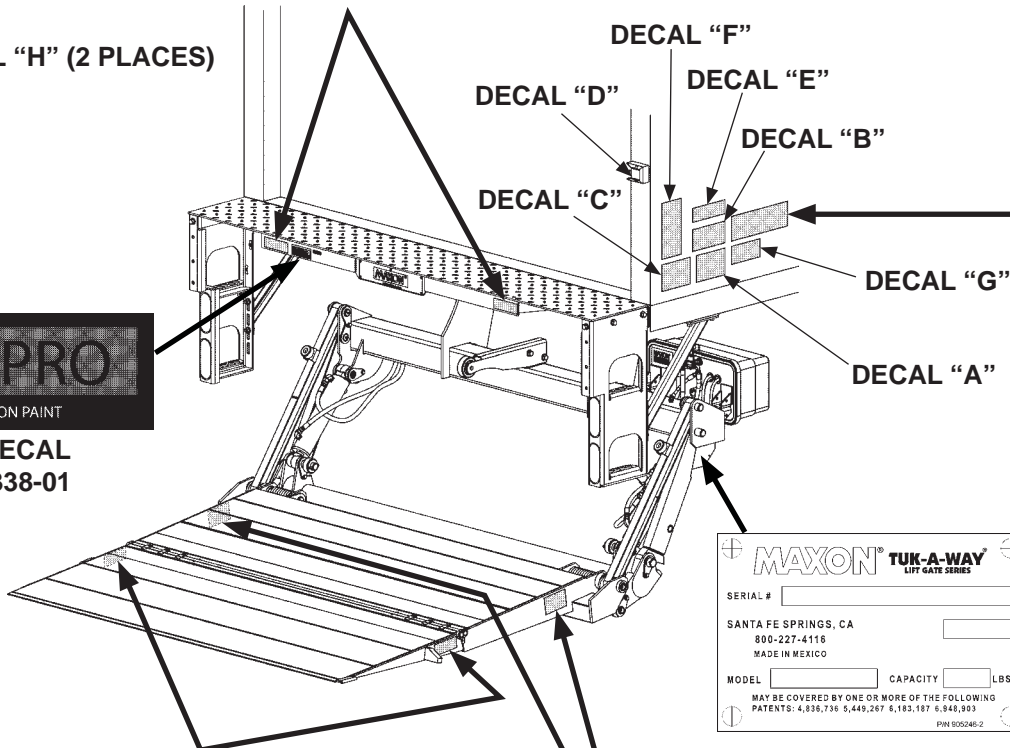
STOW WARNING DECAL
P/N 282847-02



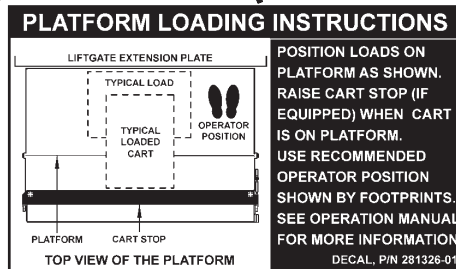
PAINT DECAL
P/N 267338-01



PLATFORM WARNING DECAL
(2 PLACES)
P/N 281189-01



SERIAL PLATE
(REF)



PLATFORM LOADING DECAL
(2 PLACES)
P/N 281326-01

FIG. 54-1

MAXON

11921 Slauson Ave. Santa Fe Springs, CA. 90670 (800) 227-4116 FAX (888) 771-7713

SAFETY INSTRUCTIONS

Read all decals and operation manual before operating liftgate.

1. Do not use liftgate unless you have been properly instructed and have read, and are familiar with, the operating instructions.
2. Be certain vehicle is properly and securely braked before using the liftgate.
3. Always inspect this liftgate for maintenance or damage before using it. Do not use liftgate if it shows any sign of damage or improper maintenance.
4. Do not overload
5. Make certain the area in which the platform will open and close is clear before opening or closing the platform.
6. Make certain platform area, including the area in which loads may fall from platform, is clear before and at all times during operation of liftgate.
7. This liftgate is intended for loading and unloading of cargo only. Do not use this liftgate for anything but its intended use.

(A)

WARNING

Liftgate hazards can result in crushing or falling.

Keep hands and feet clear of pinch points.

If riding liftgate, make sure load is stable and footing is solid.

Read and understand all instructions and WARNINGS before use.

(G)

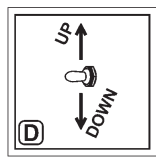
WARNING

Read this information carefully.

- Improper operation of this Liftgate can result in serious personal injury. If you do not have a copy of the operating instructions, please obtain them from your employer, distributor, or lessor before you attempt to operate Liftgate.
- If there are signs of improper maintenance, damage to vital parts, or slippery platform surface, do not use the Liftgate until these problems have been corrected.
- If you are using a pallet jack, be sure it can be maneuvered safely.
- Do not operate a forklift on the platform.
- Do not allow any part of yours or your helper's body to be placed under, within, or around any portion of the moving Liftgate, or its mechanisms, or in a position that would trap them between the platform and the ground or truck when the Liftgate is operated.
- If a helper is riding the platform with you, make sure you are both doing so safely and that you are not in danger of coming in contact with any moving or potentially moving obstacles.
- **USE GOOD COMMON SENSE.**
- If load appears to be unsafe, do not lift or lower it.

For a free copy of other manuals that pertain to this model Liftgate, please visit our website at www.maxonlift.com or call Customer Service at (800) 227-4116.

(C)



OPERATING INSTRUCTIONS

GPT Series Liftgates

1. Push control switch. (Must touch the ground)
2. Unfold platform.
3. Unfold flipover.
4. Use switch to raise or lower.
5. To tuck liftgate away, reverse steps 1, 2, & 3.

(F)

CAUTION

Always stand clear of platform area.

(E)

THE MAXIMUM CAPACITY OF THIS LIFT IS

___ LBS [___ KG]

WHEN THE LOAD IS CENTERED ON THE LOAD CARRYING PLATFORM

(B)

(See TABLE 55-1)

DECAL SHEET
FIG. 55-1

MODEL	DECAL SHEET P/N	DECAL "B"
GPT-25	282848-01	2500 POUNDS
GPT-3	282848-02	3000 POUNDS
GPT-4	282848-03	4000 POUNDS
GPT-5	282848-04	5000 POUNDS

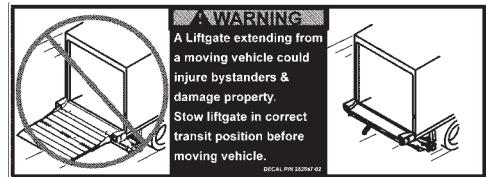
DECAL SHEET
TABLE 55-1

DECALS (GPTWR)

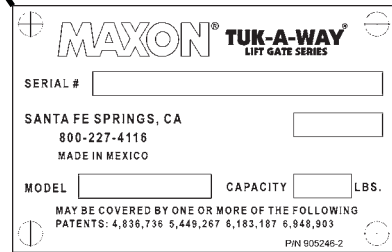
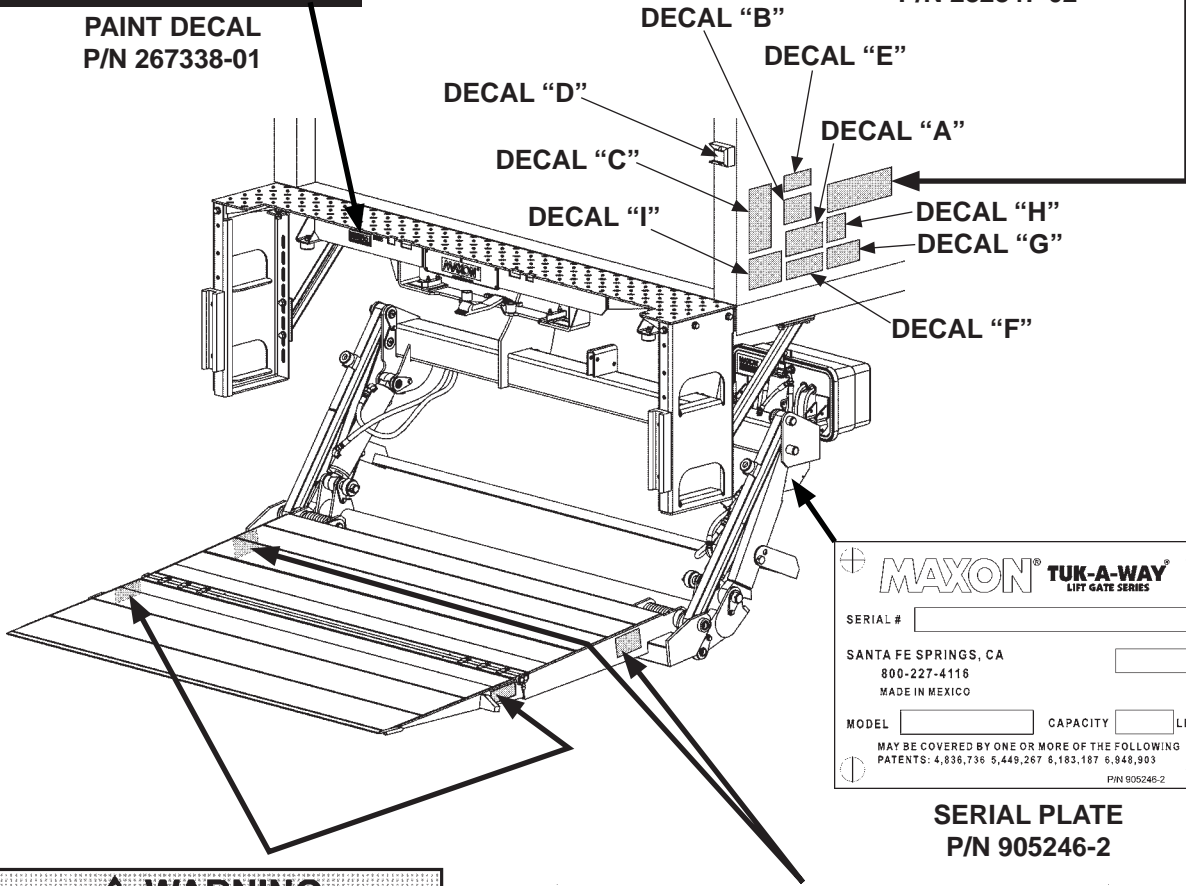
NOTE: Ensure there is no residue, dirt or corrosion where decals are attached. If necessary, clean surface before attaching decals.



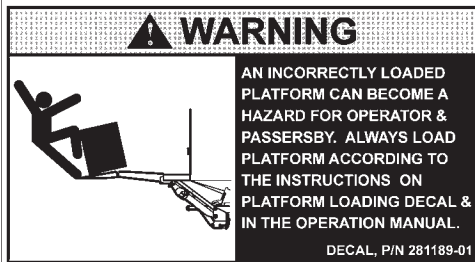
PAINT DECAL
P/N 267338-01



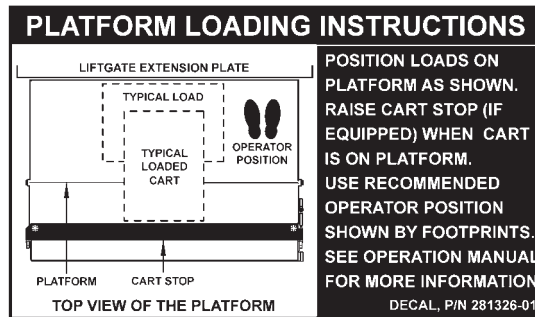
STOW WARNING DECAL
P/N 282847-02



SERIAL PLATE
P/N 905246-2



PLATFORM WARNING DECAL
(2 PLACES)
P/N 281189-01



PLATFORM LOADING DECAL
(2 PLACES)
P/N 281326-01

FIG. 56-1

MAXON[®]
11921 Slauson Ave. Santa Fe Springs, CA. 90670 (800) 227-4116 FAX (888) 771-7713

SAFETY INSTRUCTIONS

Read all decals and operation manual before operating liftgate.

1. Do not use liftgate unless you have been properly instructed and have read, and are familiar with, the operating instructions.
2. Be certain vehicle is properly and securely braked before using the liftgate.
3. Always inspect this liftgate for maintenance or damage before using it. Do not use liftgate if it shows any sign of damage or improper maintenance.
4. Do not overload
5. Make certain the area in which the platform will open and close is clear before opening or closing the platform.
6. Make certain platform area, including the area in which loads may fall from platform, is clear before and at all times during operation of liftgate.
7. This liftgate is intended for loading and unloading of cargo only. Do not use this liftgate for anything but its intended use.

(A)

SAFETY INSTRUCTIONS

1. Read WARNING decal for the walk ramp before you set up walk ramp & stow walk ramp.
2. To set up walk ramp & stow walk ramp, refer to walk ramp manufacturer's instructions.

P/N 268454-01 (F)

WARNING

Read this information carefully.

- Improper operation of this Liftgate can result in serious personal injury. If you do not have a copy of the operating instructions, please obtain them from your employer, distributor, or lessor before you attempt to operate Liftgate.
- If there are signs of improper maintenance, damage to vital parts, or slippery platform surface, do not use the Liftgate until these problems have been corrected.
- If you are using a pallet jack, be sure it can be maneuvered safely.
- Do not operate a forklift on the platform.
- Do not allow any part of yours or your helper's body to be placed under, within, or around any portion of the moving Liftgate, or its mechanisms, or in a position that would trap them between the platform and the ground or truck when the Liftgate is operated.
- If a helper is riding the platform with you, make sure you are both doing so safely and that you are not in danger of coming in contact with any moving or potentially moving obstacles.
- USE GOOD COMMON SENSE.
- If load appears to be unsafe, do not lift or lower it.

For a free copy of other manuals that pertain to this model Liftgate, please visit our website at www.maxonlift.com or call Customer Service at (800) 227-4116

(I)

CAUTION

Always stand clear of platform area.

(E)

THE MAXIMUM CAPACITY OF THIS LIFT IS

___ LBS [___ KG]

WHEN THE LOAD IS CENTERED ON THE LOAD CARRYING PLATFORM

(B)

WARNING

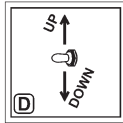
Liftgate hazards can result in crushing or falling.

Keep hands and feet clear of pinch points.

If riding liftgate, make sure load is stable and footing is solid.

(C)

Read and understand all instructions and WARNINGS before use.



WARNING

Never operate liftgate when walk ramp is extended.

Always stow ramp before operating liftgate.

P/N 268454-01 (H)

OPERATING INSTRUCTIONS

GPTWR Series Liftgates

- 1 Push control switch. (Must touch the ground)
- 2 Unfold platform.
- 3 Unfold flipover.
- 4 Use switch to raise or lower.
- 5 To tuck liftgate away, reverse steps 1, 2, & 3.

(C)

DECAL SHEET
P/N 282849-01
FIG. 57-1

MODEL	DECAL SHEET P/N	DECAL "B"
GPTWR-25	282849-03	2500 POUNDS
GPTWR-3	282849-01	3000 POUNDS
GPTWR-4	282849-04	4000 POUNDS
GPTWR-5	282849-05	5000 POUNDS

DECAL SHEET
TABLE 57-1

MAXON®

11921 Slauson Ave. Santa Fe Springs, CA. 90670 (800) 227-4116 FAX (888) 771-7713

THIS PAGE INTENTIONALLY LEFT BLANK

CONTROL SWITCH AND POWER CABLE

NOTE: Use switch to raise and lower Liftgate to make sure switch operates as shown on the decal.

NOTE: MAXON recommends using dielectric grease on all electrical connections.

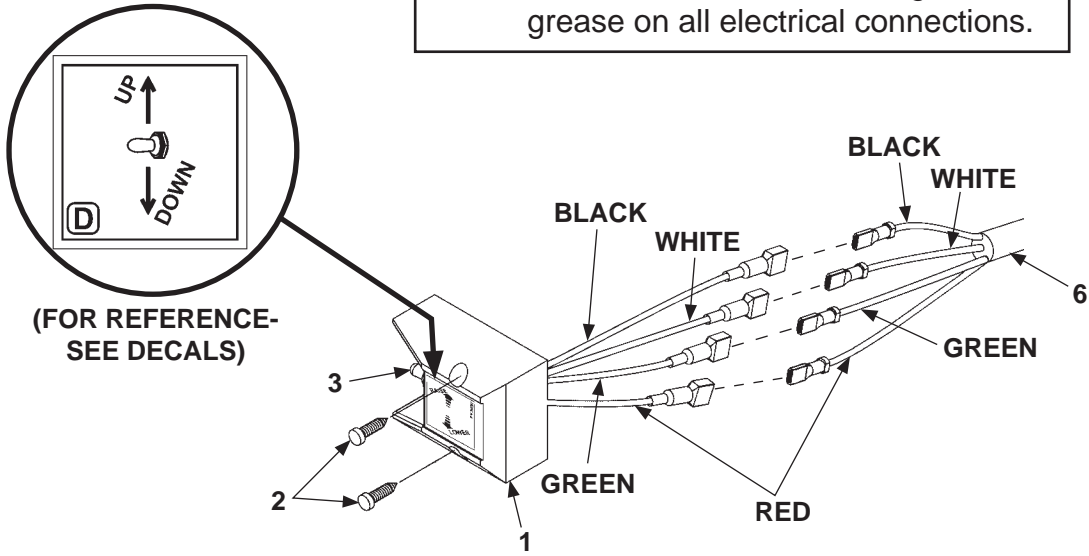


FIG. 59-1

ITEM	QTY.	PART NO.	DESCRIPTION
1	1	264951-04	MOLD SWITCH ASSEMBLY
2	2	900057-5	SCREW, SELF-TAPPING #10-24 X 1" LG.
3	1	905206	SWITCH BOOT SEAL
4	1	264422	CABLE ASSEMBLY, 175 AMPS, 38' LG.
5	1	264687	KIT, MEGAFUSE (175 AMP FUSE & HEATSHRINK TUBING)
6	1	268170-01	CABLE ASSEMBLY

TABLE 59-1

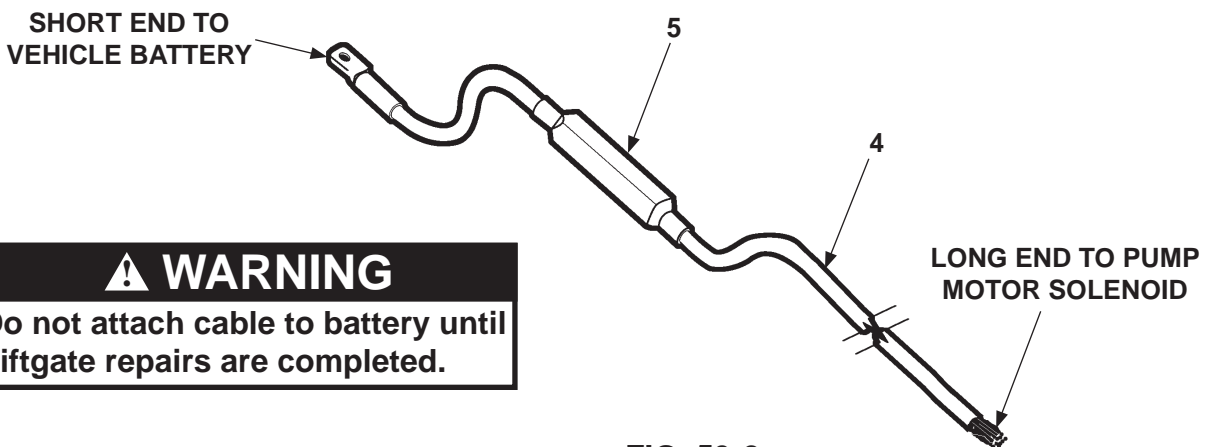


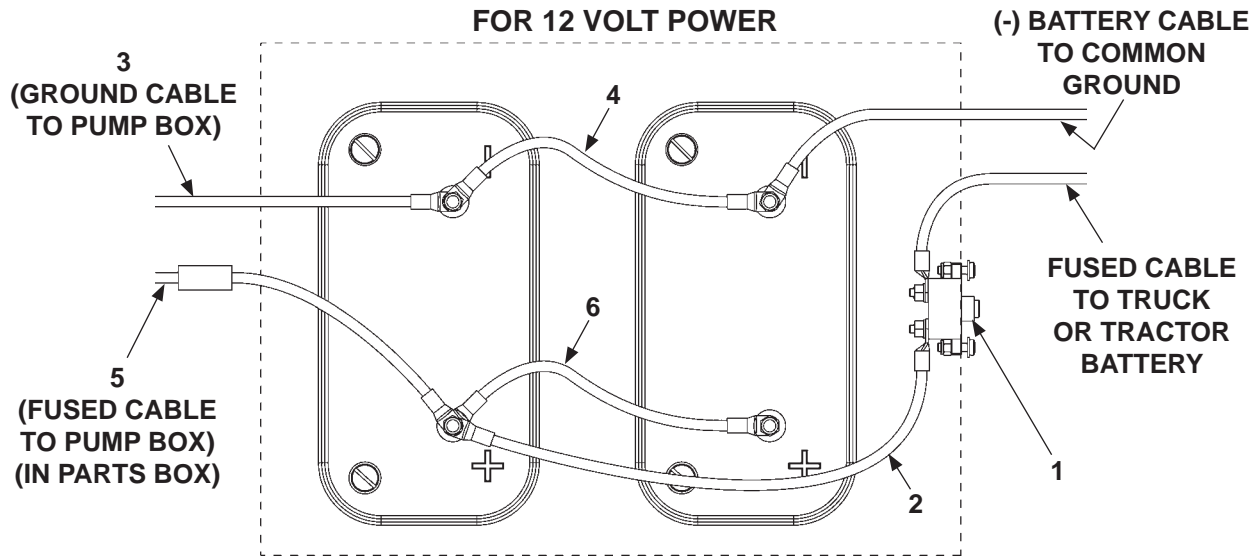
FIG. 59-2

⚠ WARNING
Do not attach cable to battery until Liftgate repairs are completed.

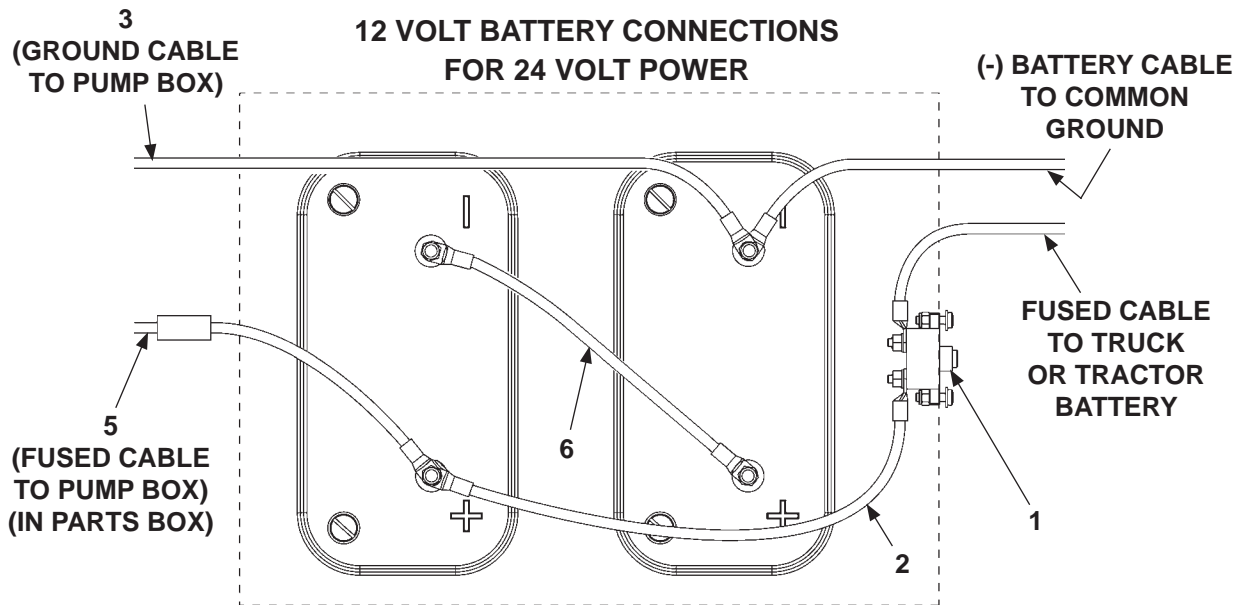
OPTIONAL BATTERY BOX ELECTRICAL COMPONENTS

NOTE: MAXON recommends using dielectric grease on all electrical connections.

12 VOLT BATTERY CONNECTIONS FOR 12 VOLT POWER



12 VOLT BATTERY CONNECTIONS FOR 24 VOLT POWER



MAXON

11921 Slauson Ave. Santa Fe Springs, CA. 90670 (800) 227-4116 FAX (888) 771-7713

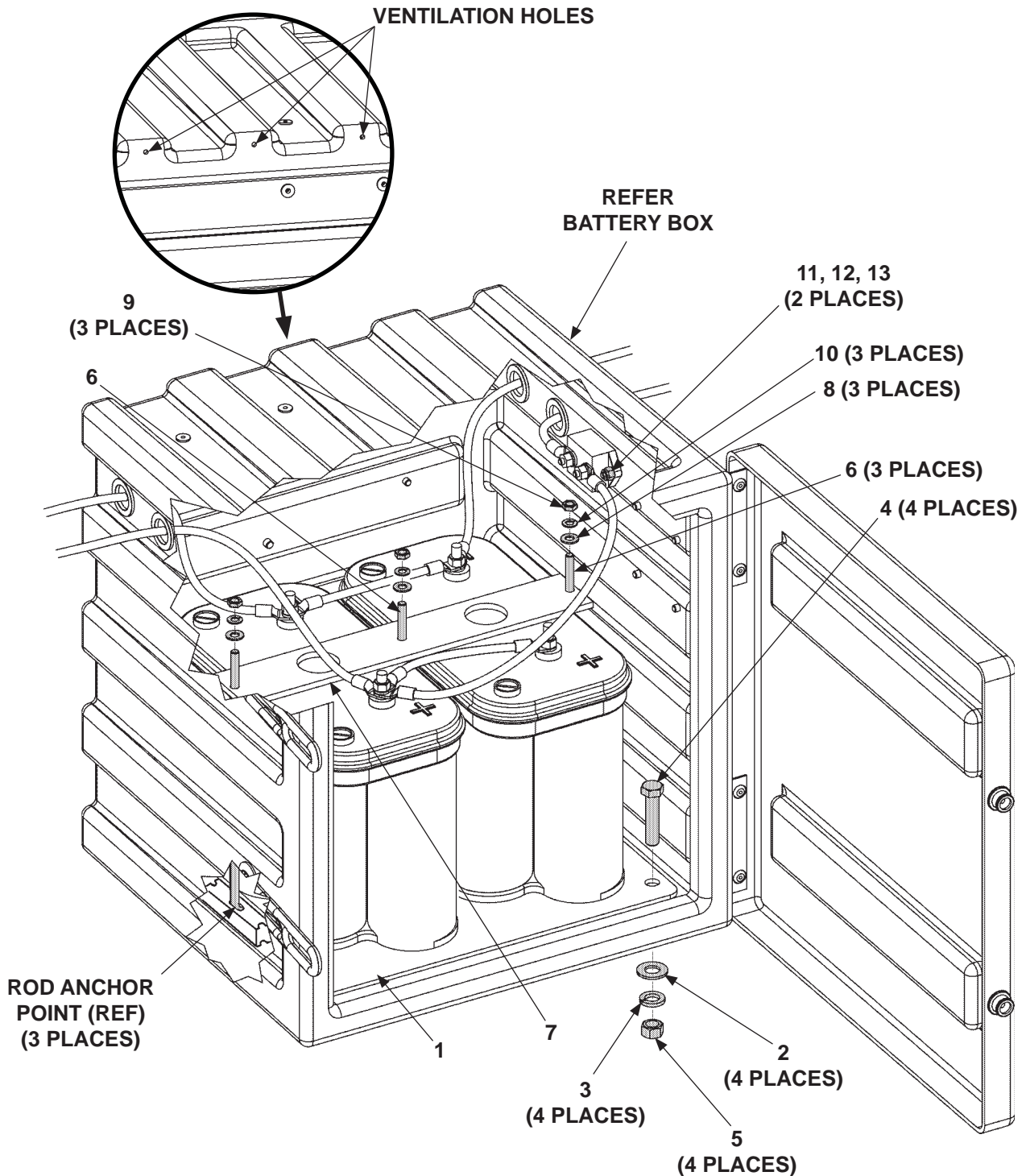
ITEM	QTY	PART NO.	DESCRIPTION
1	1	221736	CIRCUIT BREAKER 150 AMP
2	1	269308-18	CABLE ASSEMBLY, 2 GA (RED),18" LG.
3	1	268226-06	CABLE ASSEMBLY, 2 GA, 74" LG.
4	1	251871-14	CABLE ASSEMBLY, 2 GA, 10" LG
5	1	285487-02	CABLE ASSEMBLY, 2 GA, 200 AMP, 42" LG.
6	1	269308-10	CABLE ASSEMBLY, 2 GA (RED),10" LG.

TABLE 61-1

OPTIONAL BATTERY BOX ASSEMBLY

⚠ WARNING

Explosive hydrogen gas from charging batteries can accumulate in battery box if not vented from the box. To prevent hydrogen gas from accumulating, ensure the 3 ventilation holes in battery box are not plugged or covered.

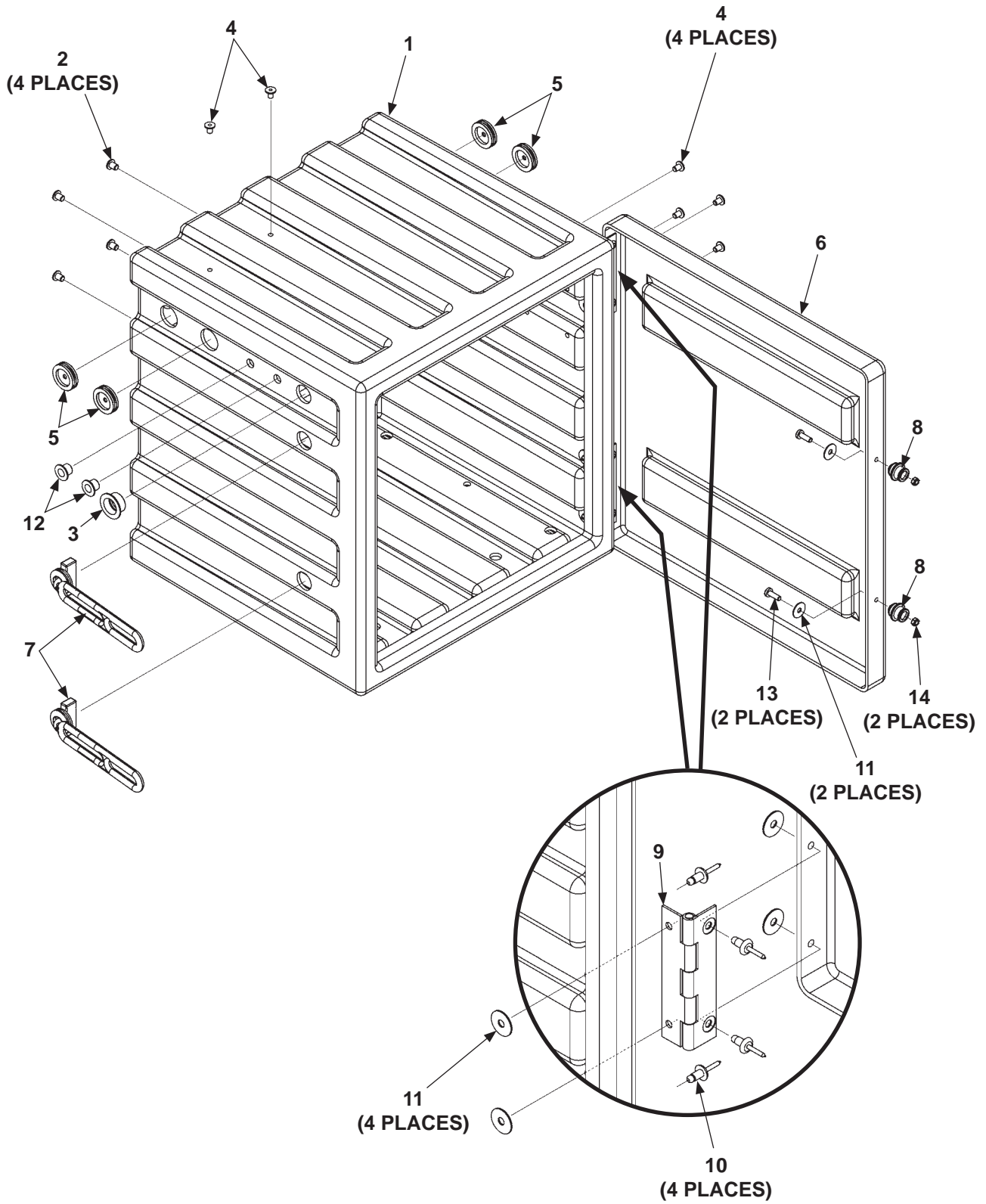


MAXON®

11921 Slauson Ave. Santa Fe Springs, CA. 90670 (800) 227-4116 FAX (888) 771-7713

ITEM	QTY	PART NO.	DESCRIPTION
1	1	269535-01G	BATTERY MOUNT PLATE WELDMENT, GALVANIZED
2	4	902013-14	FLAT WASHER, 9/16"
3	4	902011-7	LOCK WASHER, 9/16"
4	4	900033-6	CAP SCREW, 1/2"-20 X 2-1/4" LG., GR8
5	4	901011-10	HEX NUT, 1/2"-20
6	3	227722-01	ROD, L-SHAPE BATTERY HOLD DOWN
7	1	250479	BRACKET (BATTERY HOLD DOWN)
8	3	902013-10	FLAT WASHER, 5/16"
9	3	901005	HEX NUT, 5/16"-18, GR8
10	3	902011-3	LOCK WASHER, #10
11	2	902013-09	FLAT WASHER, 1/4"
12	2	900002-4	PAN HEAD SCREW, 1/4"-20 X 1 LG.
13	2	901000	LOCK NUT, 1/4"-20

OPTIONAL BATTERY BOX



MAXON®
 11921 Slauson Ave. Santa Fe Springs, CA. 90670 (800) 227-4116 FAX (888) 771-7713

ITEM	QTY	PART NO.	DESCRIPTION
REF	1	269561-01	BATTERY BOX
1	1	269526-01	BOX
2	4	908022-03	PLUG, 5/16"
3	1	908022-08	PLUG, 1-1/16"
4	6	908022-07	PLUG, 1/4"
5	4	266428-02	GROMMET, 1"
6	1	269558-01	COVER
7	2	908193-01	RUBBER LATCH
8	2	908194-01	FASTENING KNOB
9	2	285884-01	BATTERY BOX HINGE STAINLESS STEEL
10	8	903715-03	BLIND RIVET, 1/4" X 1/4"-3/8"
11	10	903438-01	WASHER, 1/4"
12	2	908022-05	PLUG, 9/16"
13	2	900719-07	BUTTON HEAD SCREW, 1/4"-20 X 1" LG.
14	2	903137-01	LOCK NUT, 1/4"-20, NYLON

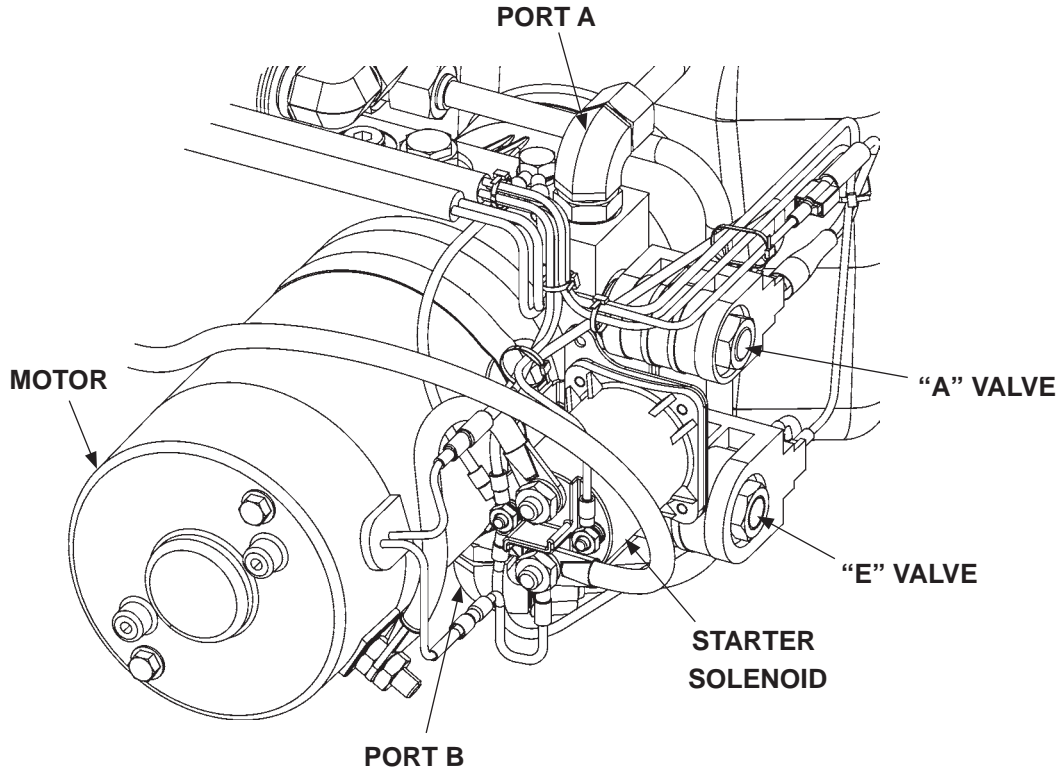
MAXON®

11921 Slauson Ave. Santa Fe Springs, CA. 90670 (800) 227-4116 FAX (888) 771-7713

THIS PAGE INTENTIONALLY LEFT BLANK

SYSTEM DIAGRAMS

PUMP & MOTOR SOLENOID OPERATION



POWER UNIT
FIG. 67-1

NOTE: Hydraulic lock valve is on the RH cylinder.

POWER UNIT MOTOR & SOLENOID OPERATION					
LIFTGATE FUNCTION	PORT	SOLENOID OPERATION (✓ MEANS ENERGIZED)			
		MOTOR	VALVE "A"	VALVE "E"	LOCK VALVE
RAISE	A	✓	-	✓	-
LOWER	B	✓	✓	-	✓

REFER TO VALVES SHOWN ON
HYDRAULIC SCHEMATIC

TABLE 67-1

SYSTEM DIAGRAMS - Continued

HYDRAULIC SCHEMATIC (POWER DOWN)

MAXON®
 11921 Slauson Ave. Santa Fe Springs, CA. 90670 (800) 227-4116 FAX (888) 771-7713

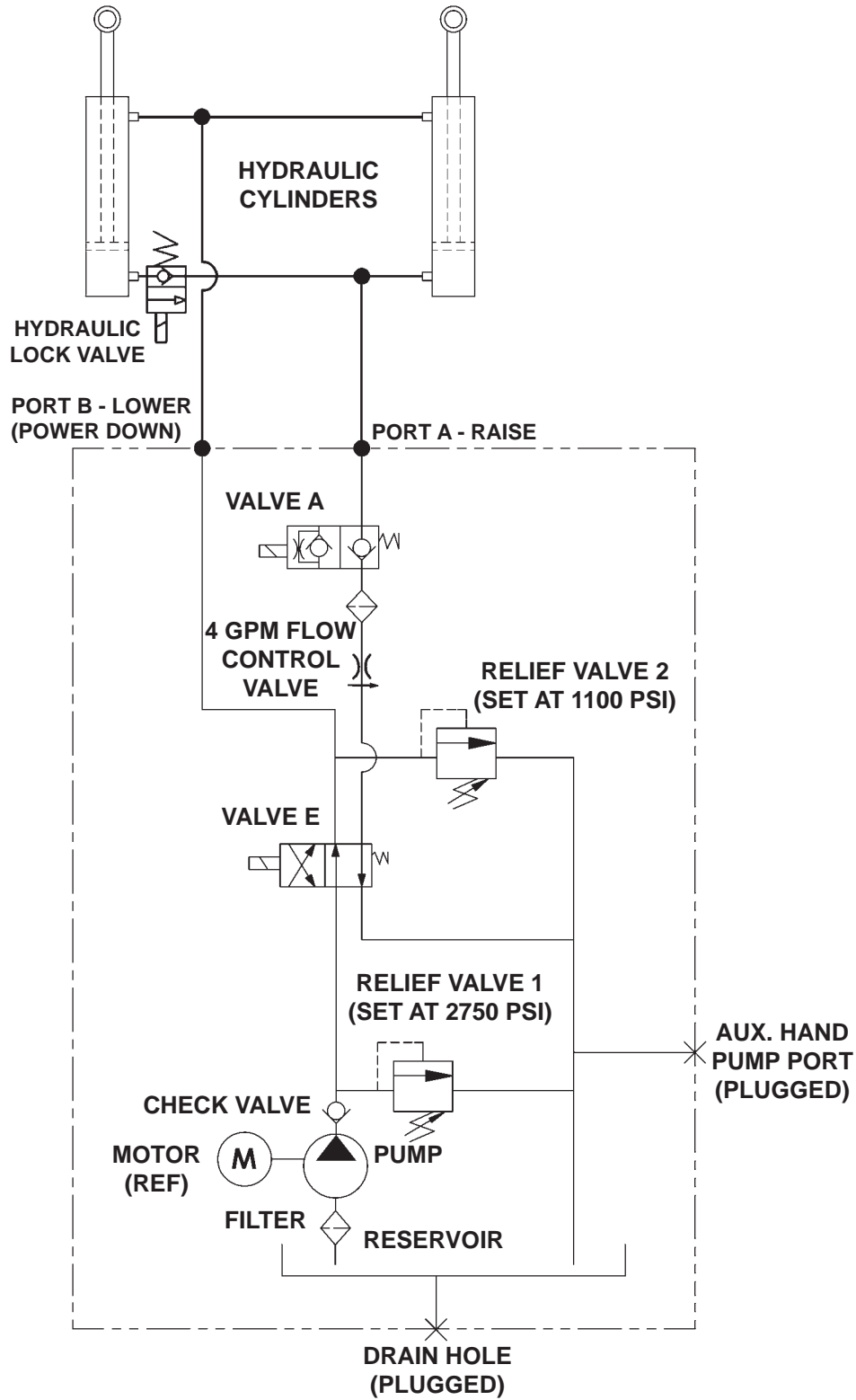


FIG. 68-1

ELECTRICAL SCHEMATIC (POWER DOWN)

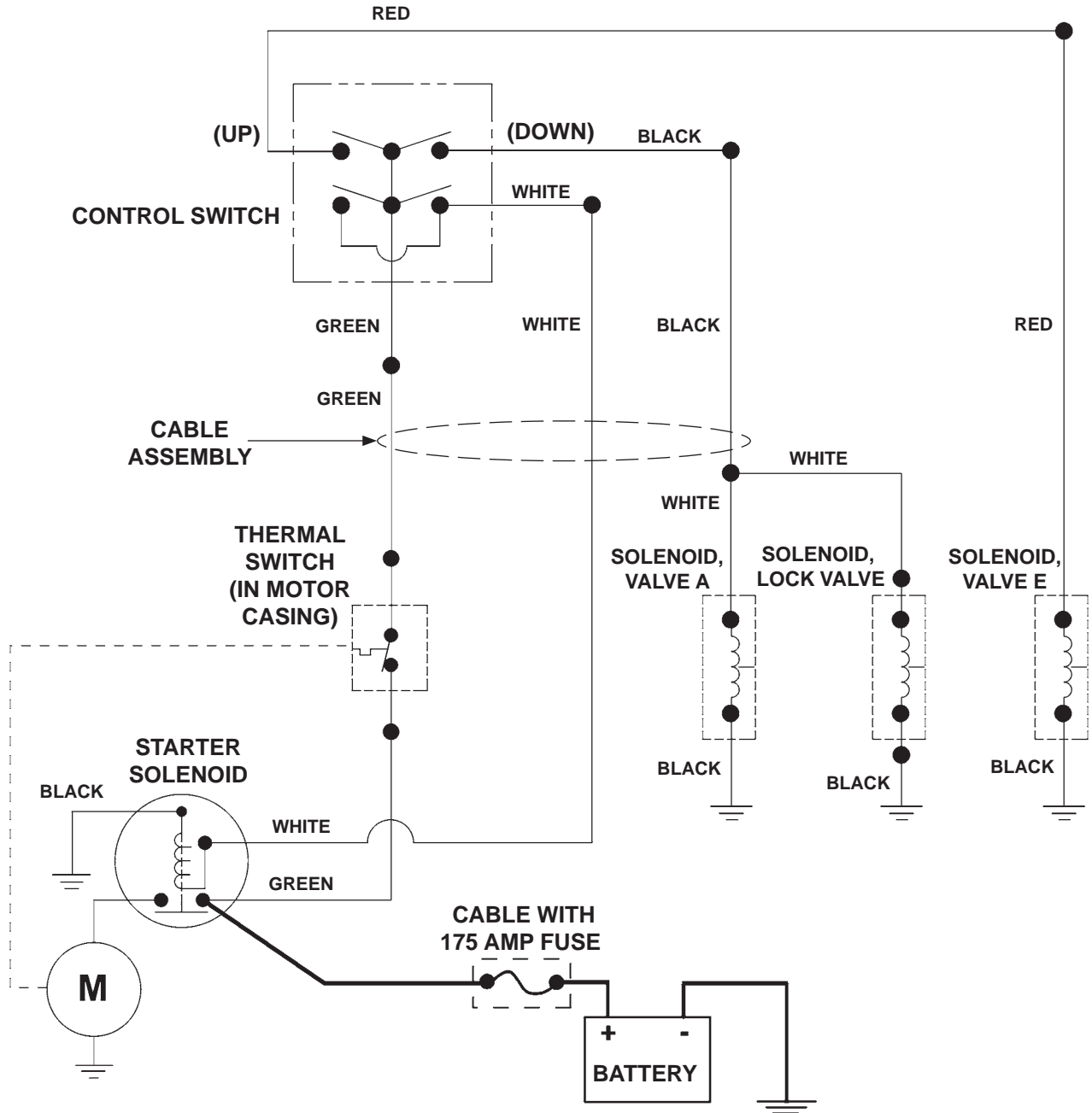


FIG. 69-1

TROUBLESHOOTING

PLATFORM WILL NOT RAISE & MOTOR WILL NOT RUN

1. Connect voltmeter between motor solenoid terminal “B” and ground wires connection on pump (FIG. 70-1). Verify that full battery voltage is at “B”. Recharge the battery if voltmeter indicates less than 12.4 volts dc.
2. Touch a jumper wire to terminals “B” & “D” (FIG. 70-1). If motor runs, check control switch, the switch connections, and white wire. Check and correct wiring connections or replace the control switch.
3. Touch heavy jumper cables to terminals “A” & “B” (FIG. 70-1).
 - a. If motor runs, replace the motor solenoid.
 - b. If motor does not run, repair or replace the pump motor.

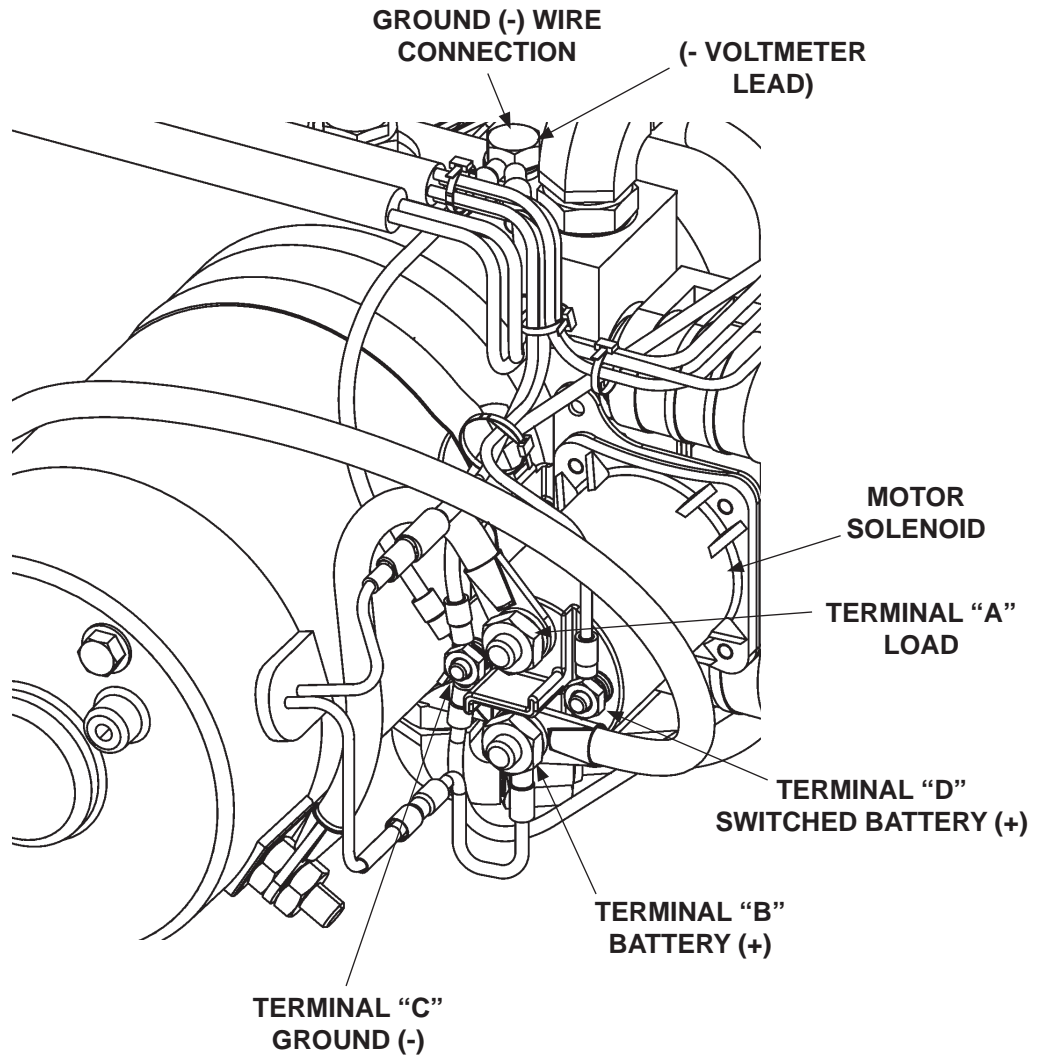


FIG. 70-1

PLATFORM WILL NOT RAISE, BUT MOTOR RUNS

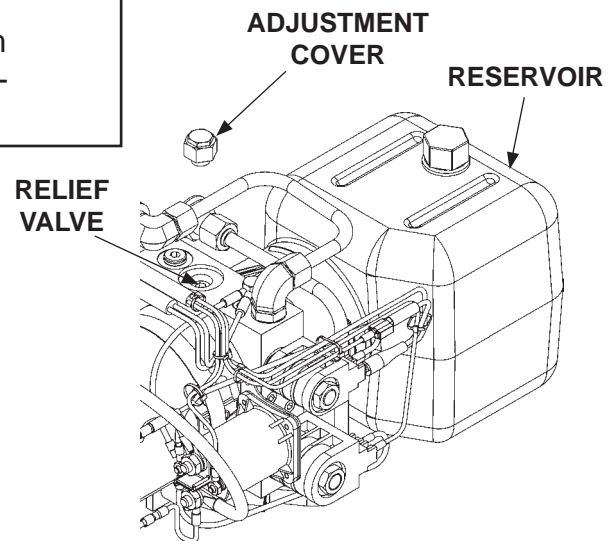
1. Do the **CHECKING HYDRAULIC FLUID** procedure in this manual. If necessary, add hydraulic fluid.
2. Check for the following. (Refer to **ELECTRICAL SCHEMATIC**.)
 - Ground connections are clean and tight at battery and pump. Clean and/or tighten if necessary.
 - The **(+)** and **(-)** battery cable connections are clean and tight at battery and pump. Clean and/or tighten if necessary.
 - Voltage drops on battery/power cables (use voltmeter). Clean and/or tighten connections or replace cables that indicate voltage drops.
3. Check for structural damage and replace worn parts.

CAUTION

Keep dirt, water and other contaminants from entering the hydraulic system. Before opening the hydraulic fluid reservoir filler cap, drain plug and hydraulic lines, clean up contaminants that can get in the openings. Also, protect the openings from accidental contamination during maintenance.

NOTE: In most cases, you can avoid having to manually bleed hydraulic system by correctly positioning Liftgate platform before disconnecting any lifting cylinder high pressure hydraulic lines.

4. Check pump oil filter in the reservoir (**FIG. 71-1**). Clean or replace filter, if necessary.
5. Check for dirty raising relief valve (**FIG. 71-1**). Clean or replace relief valve, if necessary.



**CHECKING THE RAISING
RELIEF VALVE
FIG. 71-1**

PLATFORM RAISES BUT LEAKS DOWN

1. Check if the "A" (lowering) solenoid valve is constantly energized. Connect voltmeter negative (-) lead to ground (-) wires connection on pump and positive (+) lead to (+) terminal on the "A" (lowering) solenoid valve (**FIG. 72-1**). If voltmeter reads battery voltage, check for faulty wiring or toggle switch.

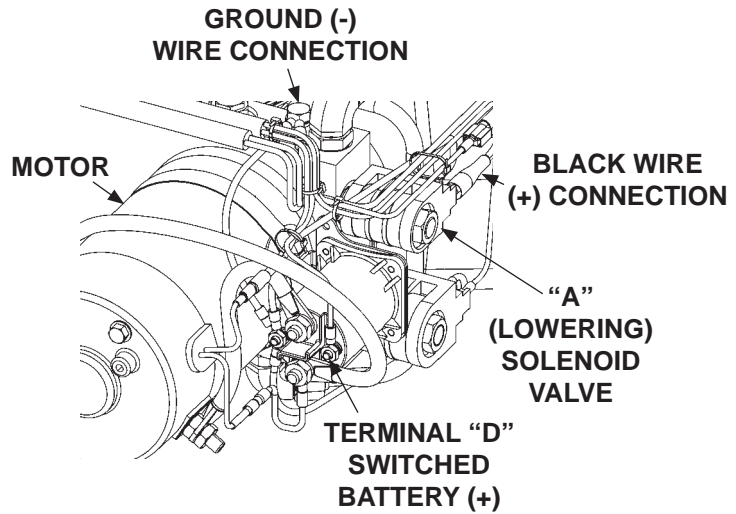


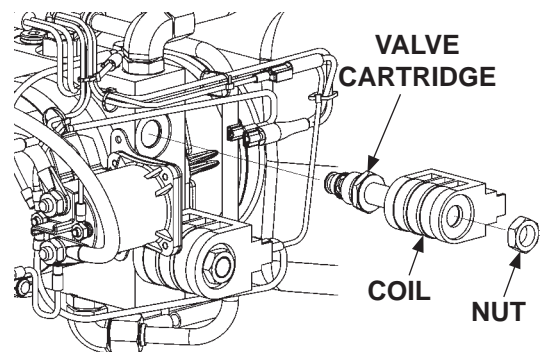
FIG. 72-1

CAUTION

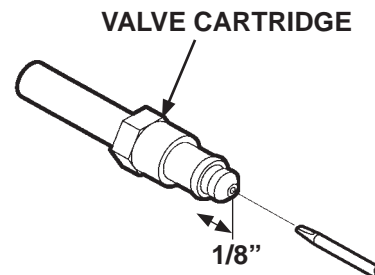
Keep dirt, water and other contaminants from entering the hydraulic system. Before opening the hydraulic fluid reservoir filler cap, drain plug and hydraulic lines, clean up contaminants that can get in the openings. Also, protect the openings from accidental contamination during maintenance.

NOTE: In most cases, you can avoid having to manually bleed hydraulic system by correctly positioning Liftgate platform before disconnecting any lifting cylinder high pressure hydraulic lines.

2. Make sure platform is on the ground. Remove lowering solenoid valve (**FIG. 72-2**). Push on the plunger in the valve by inserting small screwdriver in the open end (**FIG. 72-3**). If the plunger does not move with a smooth, spring-loaded action (approximately 1/8"), replace the valve cartridge. **Reinstall lowering solenoid valve. Torque valve cartridge to 30 lbs.-ft. and hex nut to 30 lbs.-in.**



**REMOVING SOLENOID VALVE
FIG. 72-2**



**CHECKING SOLENOID VALVE
FIG. 72-3**

3. Check the hydraulic cylinder. With the platform at vehicle floor level, remove the hydraulic line from the **LOWER** port on the cylinder (**FIG. 73-1**). Hold the control switch in the **UP** position for two seconds while you watch for hydraulic fluid at the **LOWER** port. A few drops of hydraulic fluid escaping the port is normal. However, if fluid streams out, piston seals are worn. Replace seals.

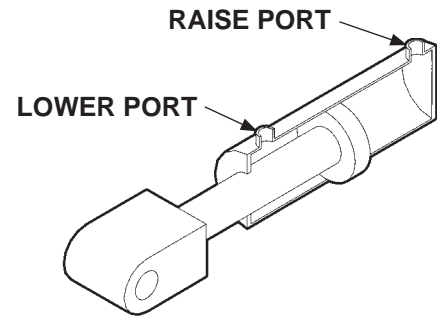


FIG. 73-1

PLATFORM RAISES PARTIALLY AND STOPS

1. Lower the opened platform to the ground. Do the **CHECKING HYDRAULIC FLUID** procedure in this manual. If necessary, add hydraulic fluid.
2. Use voltmeter to verify the battery voltage is 10.5 volts or more under load from pump motor.
3. Check for structural damage and poor lubrication. Replace worn parts.

CAUTION

Keep dirt, water and other contaminants from entering the hydraulic system. Before opening the hydraulic fluid reservoir filler cap, drain plug and hydraulic lines, clean up contaminants that can get in the openings. Also, protect the openings from accidental contamination during maintenance.

NOTE: In most cases, you can avoid having to manually bleed hydraulic system by correctly positioning Liftgate platform before disconnecting any lifting cylinder high pressure hydraulic lines.

4. Check for dirty raising relief valve (**FIG. 74-1**). Clean or replace relief valve, if necessary.
5. Check the hydraulic cylinder. With the platform at vehicle floor level, remove the hydraulic line from the **LOWER** port on the cylinder (**FIG. 74-2**). Hold the control switch in the **UP** position for two seconds while you watch for hydraulic fluid at the **LOWER** port. A few drops of hydraulic fluid escaping the port is normal. However, if fluid streams out, piston seals are worn. Replace seals.
6. Check pump oil filter in the reservoir (**FIG. 74-1**). Clean or replace filter, if necessary.

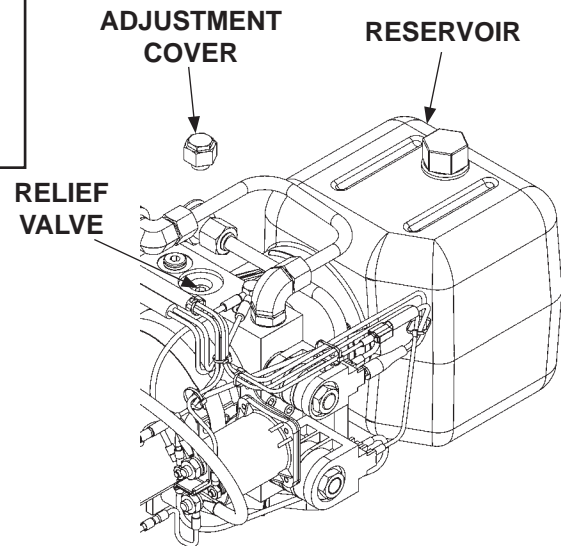


FIG. 74-1

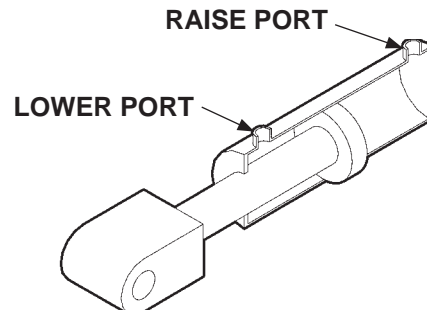


FIG. 74-2

LIFTGATE WILL NOT LIFT RATED CAPACITY

1. Use voltmeter to verify the battery voltage is 10.5 volts or more under load from pump motor.
2. Check for structural damage or lack of lubrication. Replace worn parts.

CAUTION

Keep dirt, water and other contaminants from entering the hydraulic system. Before opening the hydraulic fluid reservoir filler cap, drain plug and hydraulic lines, clean up contaminants that can get in the openings. Also, protect the openings from accidental contamination during maintenance.

NOTE: In most cases, you can avoid having to manually bleed hydraulic system by correctly positioning Liftgate platform before disconnecting any lifting cylinder high pressure hydraulic lines.

3. Check the 2750 PSI relief valve as follows. With platform on the ground, remove plug from hand pump port (**FIG. 75-1**). Install 0-3000 PSI pressure gauge in the hand pump port (**FIG. 75-1**). Remove cover for access to relief valve. Hold the control switch in the **UP** position. Adjust the relief valve until the gauge reads 2750 PSI (**FIG. 75-1**). Remove gauge and reinstall plug in the port. Then, reinstall relief valve cover.
4. Check if pump relief valve is dirty. Clean or replace relief valve, if necessary.
5. Check the hydraulic cylinder. With the platform at vehicle floor level, remove the hydraulic line from the **LOWER** port on the cylinder (**FIG. 75-2**). Hold the control switch in the **UP** position for two seconds while you watch for hydraulic fluid at the **LOWER** port. A few drops of hydraulic fluid escaping the port is normal. However, if fluid streams out, piston seals are worn. Replace seals.
6. If pump cannot produce 2750 PSI or lift the load capacity with a minimum of 12.6 volts available, the pump is worn and needs to be replaced.

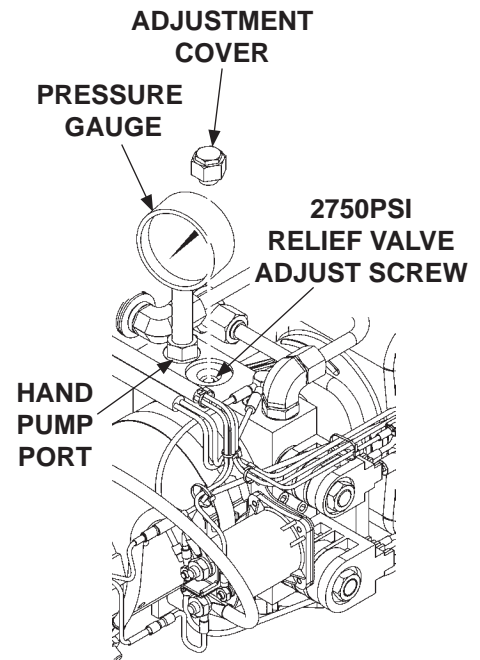


FIG. 75-1

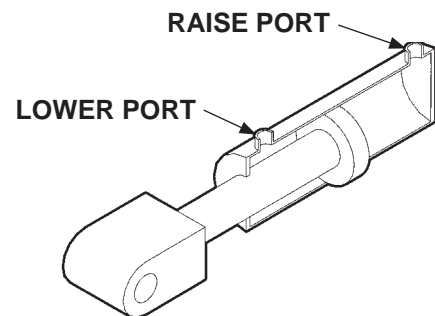


FIG. 75-2

PLATFORM RAISES SLOWLY

1. Connect voltmeter between motor solenoid terminal “B” and ground (-) wires connection on pump (FIG. 76-1). Verify that full battery voltage is at “B”. Recharge the battery if voltmeter indicates less than 12.4 volts dc.

CAUTION

Keep dirt, water and other contaminants from entering the hydraulic system. Before opening the hydraulic fluid reservoir filler cap, drain plug and hydraulic lines, clean up contaminants that can get in the openings. Also, protect the openings from accidental contamination during maintenance.

NOTE: In most cases, you can avoid having to manually bleed hydraulic system by correctly positioning Liftgate platform before disconnecting any lifting cylinder high pressure hydraulic lines.

2. Check the hydraulic cylinder. With the platform at vehicle floor level, remove the hydraulic line from the **LOWER** port on the cylinder (FIG. 76-2). Hold the control switch in the **UP** position for two seconds while you watch for hydraulic fluid at the **LOWER** port. A few drops of hydraulic fluid escaping the port is normal. However, if fluid streams out, piston seals are worn. Replace seals.

CAUTION

To prevent damage to flow control valve, do not disassemble the valve.

3. Check the flow control valve as follows. Remove lowering solenoid valve and flow control valve (FIG. 76-3). Ensure the flow control valve operates with a smooth spring-loaded action. Check for debris inside the valve. Clean or replace the flow control valve, if necessary. Reinstall flow control valve (if good) or a replacement. Then, reinstall the lowering solenoid valve. **Reinstall lowering solenoid valve. Torque valve cartridge to 30 lbs.-ft. and hex nut to 30 lbs.-in.**

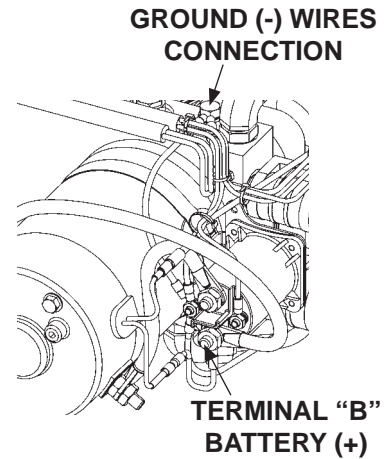


FIG. 76-1

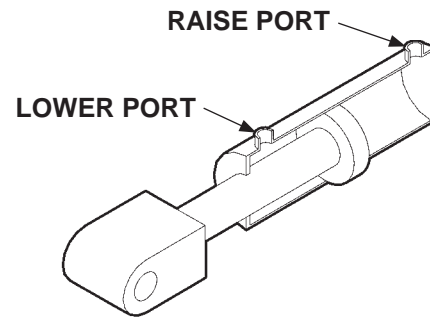


FIG. 76-2

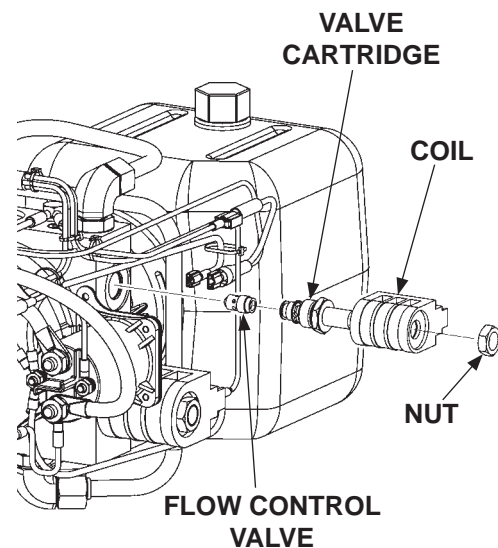


FIG. 76-3

4. Verify the pump motor is grounded to vehicle frame.
5. Check for leaking hoses and fittings. Tighten or replace as required.
6. Check for structural damage and poor lubrication. Replace worn parts.
7. Check pump oil filter in the reservoir (**FIG. 77-1**). Clean or replace filter, if necessary.
8. Check the 2750 PSI relief valve as follows. With platform on the ground, remove plug from hand pump port (**FIG. 77-1**). Install 0-3000 PSI pressure gauge in the hand pump port (**FIG. 77-1**). Remove cover for access to relief valve. Hold the control switch in the **UP** position. Adjust the relief valve until the gauge reads 2750 PSI (**FIG. 77-1**). Remove gauge and reinstall plug in the port. Then, reinstall relief valve cover.

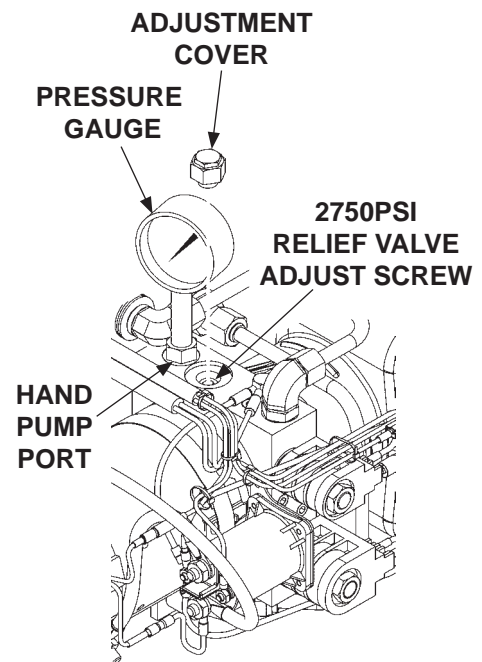


FIG. 77-1

PLATFORM WILL NOT LOWER, LOWERS TOO SLOWLY OR TOO QUICKLY

1. Connect voltmeter (+) lead to motor solenoid terminal “B” and the (-) lead to the ground wires connection on pump (**FIG. 78-1**). Verify that full battery voltage is at “B”. Recharge the battery if voltmeter indicates less than 12.4 volts dc.

2. Check for structural damage or poor lubrication. Replace worn parts.

3. Check if the “D” terminal and “A” (lowering) solenoid valve are getting battery voltage (**FIG. 78-1**). Connect voltmeter negative (-) lead to ground (-) wires connection on pump and positive (+) lead to the “D” terminal (**FIG. 78-1**). Hold control switch in the **DOWN** position. Then, connect voltmeter (+) lead to (+) terminal on the “A” (lowering) solenoid valve (**FIG. 78-1**). Voltage may be as low as 10.5 volts DC. If voltmeter shows a much lower reading or a reading of 0 volts, check for faulty control switch and wiring, battery cable, ground wire connections in pump assembly, and pump motor.

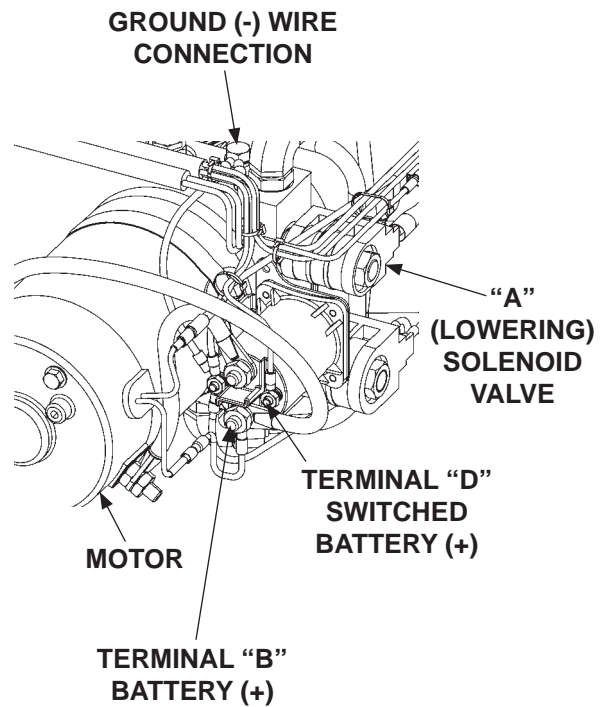


FIG. 78-1

CAUTION

Keep dirt, water and other contaminants from entering the hydraulic system. Before opening the hydraulic fluid reservoir filler cap, drain plug and hydraulic lines, clean up contaminants that can get in the openings. Also, protect the openings from accidental contamination during maintenance.

NOTE: In most cases, you can avoid having to manually bleed hydraulic system by correctly positioning Liftgate platform before disconnecting any lifting cylinder high pressure hydraulic lines.

4. Make sure platform is on the ground. Check the flow control valve as follows. Remove lowering solenoid valve and flow control valve (**FIG. 79-1**). Ensure the flow control valve operates with a smooth spring-loaded action. Check for debris inside the valve. Clean or replace the flow control valve, if necessary. Reinstall flow control valve (if good) or a replacement.

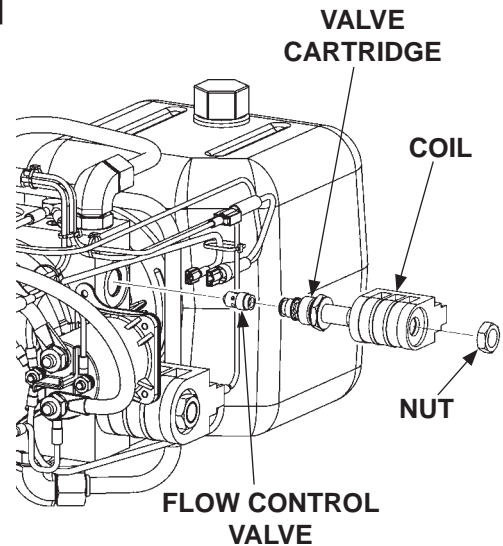
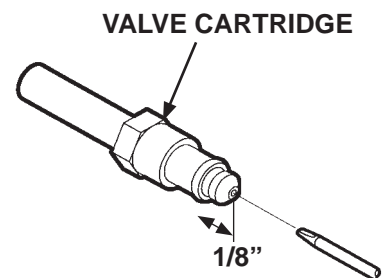


FIG. 79-1

CAUTION

To prevent damage to flow control valve, do not disassemble the valve.

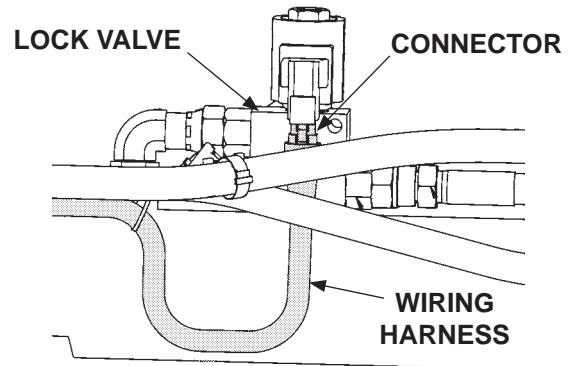
5. Check the lowering solenoid valve as follows. Check if filtering screen is plugged. Clean carefully if required. Push on the plunger in the valve by inserting small screwdriver in the open end (**FIG. 79-2**). If the plunger does not move with a smooth, spring-loaded action (approximately 1/8"), replace the valve cartridge. **Reinstall lowering solenoid valve** (if good) or a replacement. **Torque valve cartridge to 30 lbs.-ft. and hex nut to 30 lbs.-in.**



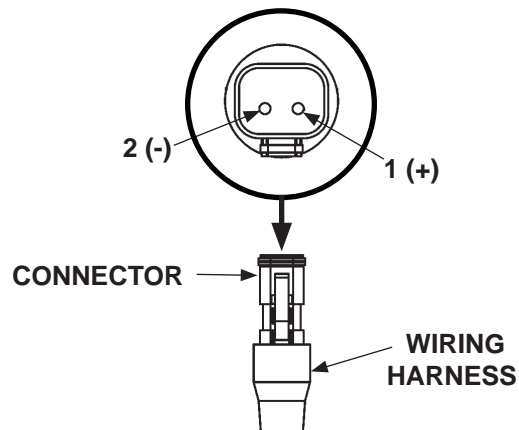
CHECKING SOLENOID VALVE
FIG. 79-2

**PLATFORM BEGINS TO LOWER ON LH SIDE,
BUT WILL NOT LOWER ON RH SIDE**

1. Check for battery voltage at the hydraulic lock as follows. Disconnect wiring harness from coil on the lock valve (**FIG. 80-1**). Then, connect voltmeter (+) and (-) leads to connector contacts 1 and 2 on the wiring harness (**FIG. 80-2**). Hold control switch in the **DOWN** position just long enough to get a reading. Voltmeter should read at least 11 volts dc. If voltage reading is lower or "0", go to step 4.

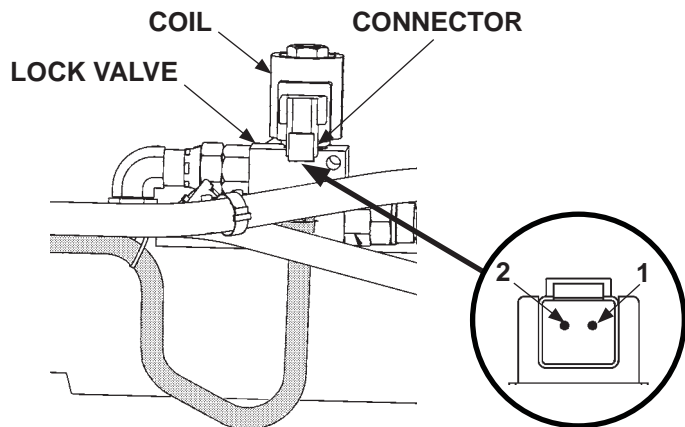


**LOCK VALVE WIRING
HARNESS CONNECTOR
FIG. 80-1**



**MEASURING VOLTAGE AT LOCK VALVE
WIRING HARNESS CONNECTOR
FIG. 80-2**

2. Connect ohmmeter (+) and (-) leads to connector contacts 1 and 2 on the coil (**FIG. 80-3**). Ohmmeter should read about 7 to 8 ohms. If ohms reading is higher or lower, replace the coil on hydraulic lock valve.

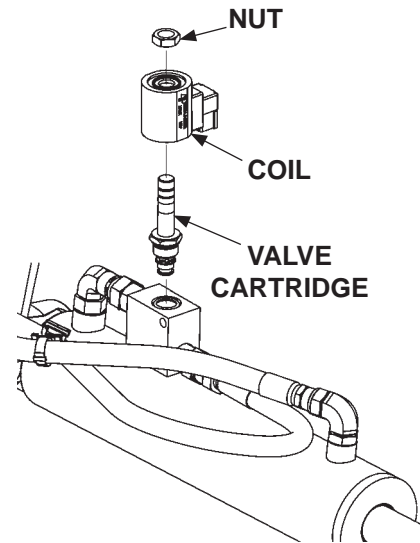


**MEASURING COIL RESISTANCE
FIG. 80-3**

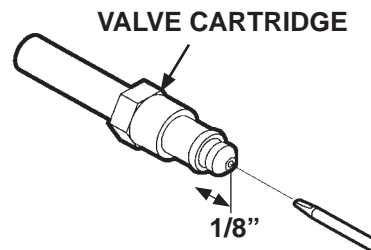
CAUTION

Keep dirt, water and other contaminants from entering the hydraulic system. Before opening the hydraulic fluid reservoir filler cap, drain plug and hydraulic lines, clean up contaminants that can get in the openings. Also, protect the openings from accidental contamination during maintenance.

3. Support the platform to prevent it from dropping. Remove solenoid valve (**FIG. 81-1**). Ensure the valve operates with a smooth spring-loaded action (**FIG. 81-2**). Check for debris inside the valve. If necessary, clean or replace the cartridge valve. Re-install cartridge valve (if good) or install a replacement.

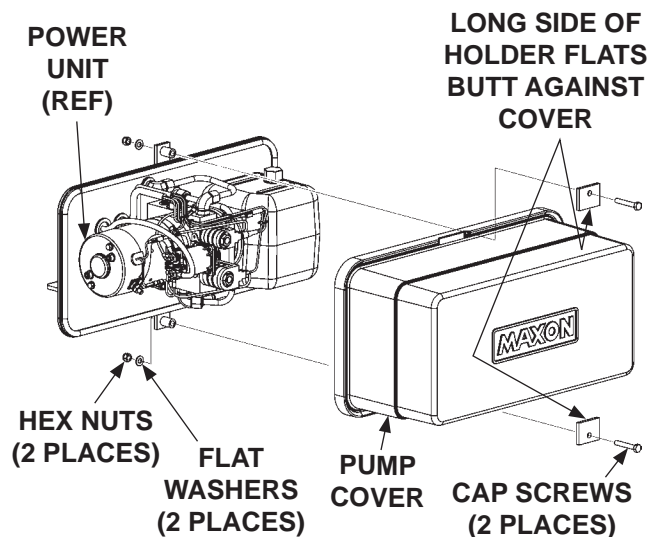


REMOVING SOLENOID VALVE
FIG. 81-1



CHECKING SOLENOID VALVE
FIG. 81-2

4. Unbolt and remove pump cover (**FIG. 81-3**).

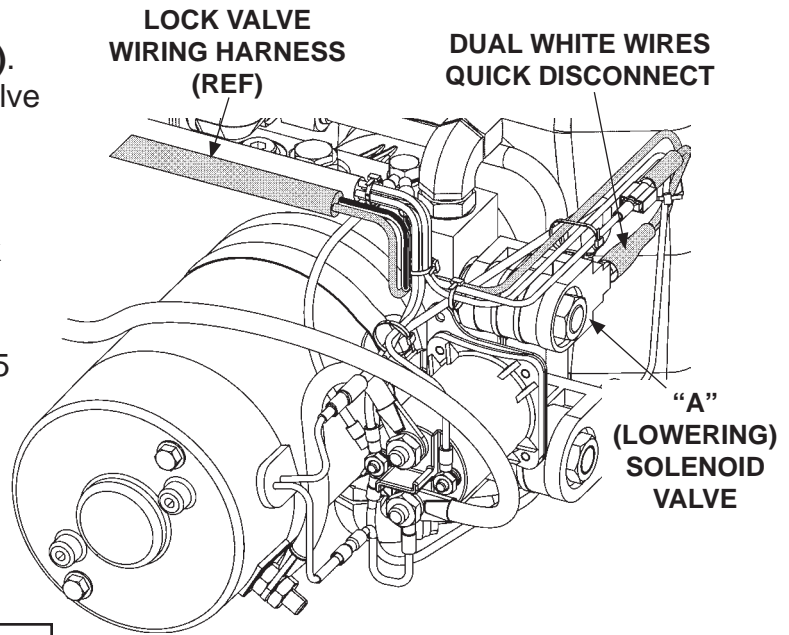


UNBOLTING/ BOLTING PUMP COVER
FIG. 81-3

**PLATFORM BEGINS TO LOWER ON LH SIDE,
BUT WILL NOT LOWER ON RH SIDE - Continued**

5. Disconnect white wires from the "A" (lowering) solenoid valve (FIG. 82-1). Do resistance checks on the lock valve wiring harness as follows.

- Connect ohmmeter (+) and (-) leads to the dual white wires quick disconnect and contact 1 on the wiring harness connector (FIG. 82-2). Reading should be 0.5 ohm or less.

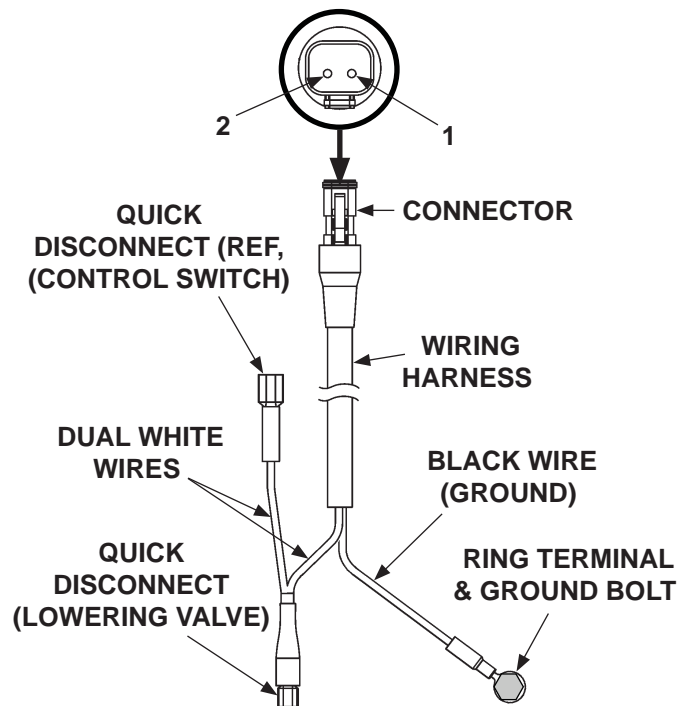


NOTE: Ensure ground bolt and ground wiring connections on the pump are clean and tight (FIG. 82-1).

**DISCONNECTING LOCK VALVE WIRING FROM LOWERING SOLENOID VALVE
FIG. 82-1**

- Connect ohmmeter (+) and (-) leads to the black ground wire and contact 2 on the wiring harness connector (FIG. 82-2). Reading should be 0.5 ohm or less.
- If any readings are more than 0.5 ohm, check crimped quick disconnect or ring terminal. Repair wiring harness if possible or replace the entire lock valve assembly, if necessary.

6. Before completing this procedure, ensure lock valve wiring is reconnected to "A" (lowering) solenoid valve, ground bolt, control switch wire, and lock valve coil.



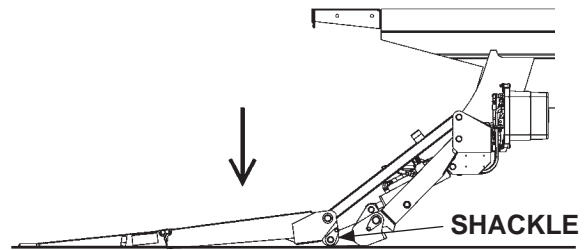
**MEASURING RESISTANCE ON LOCK VALVE WIRING HARNESS
FIG. 82-2**

7. Bolt on pump cover (FIG. 81-3). Torque the 5/16"-18 cover bolts from **10 to 14 lb-ft.**

PLATFORM WILL NOT TILT DOWN TO THE GROUND

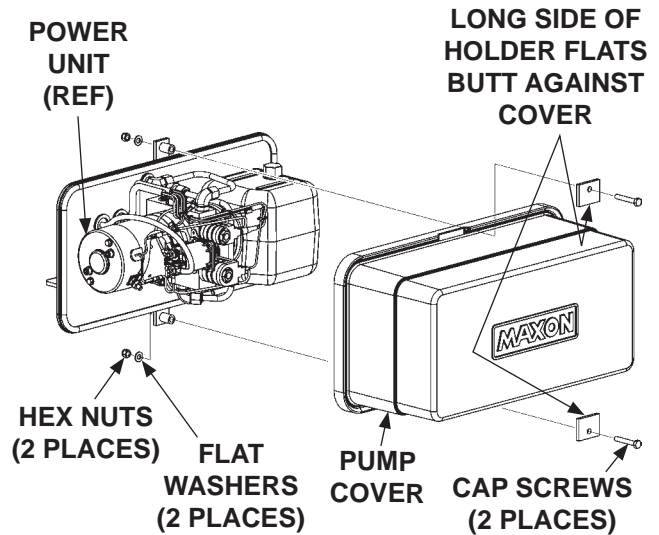
NOTE: If the Liftgate is not damaged, the 1100 psi (lowering) pressure relief valve in the pump may need to be adjusted as follows.

1. Lower the platform until shackles touch the ground (**FIG. 83-1**).



PLATFORM LOWERED WITH SHACKLES TOUCHING THE GROUND
FIG. 83-1

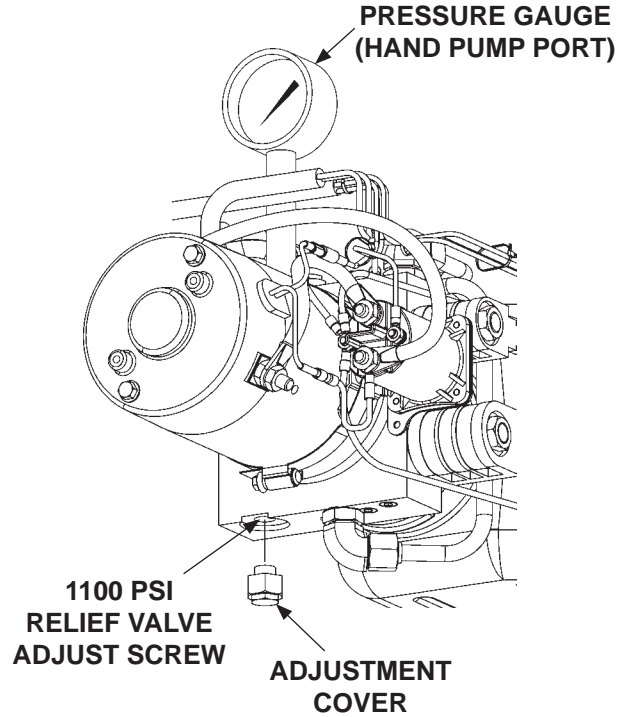
2. Unbolt and remove pump cover (**FIG. 83-2**).



UNBOLTING PUMP COVER
FIG. 83-2

PLATFORM WILL NOT TILT DOWN TO THE GROUND - Continued

- Adjust the 1100 PSI relief valve as follows. With platform on the ground, remove plug from hand pump port (**FIG. 84-1**). Install 3000 PSI pressure gauge in the hand pump port (**FIG. 84-1**). Remove cover for access to relief valve. Hold the control switch in the **DOWN** position. Adjust the relief valve until the gauge reads 1100 PSI (**FIG. 84-1**). Remove gauge and reinstall plug in the port. Then, reinstall relief valve cover.

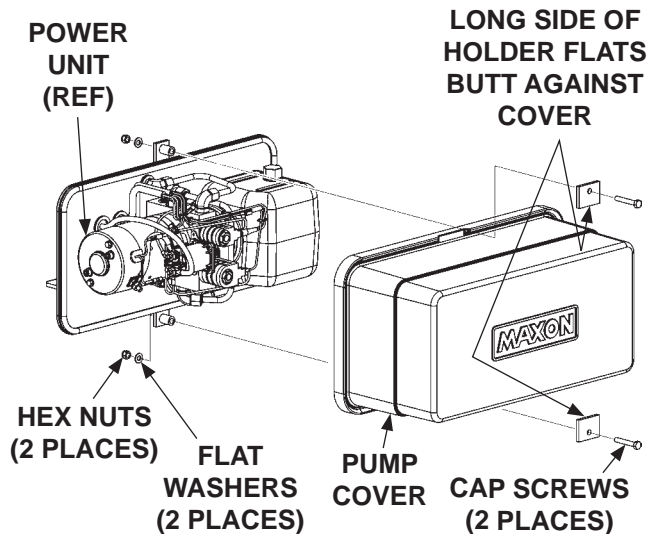


**ADJUSTING RELIEF VALVE
FIG. 84-1**

CAUTION

Pump cover must be correctly secured to prevent it from becoming a hazard. To secure pump cover, the long side of the holder flats must butt against pump cover as shown in the illustration.

- Bolt on the pump cover as shown in **FIG. 84-2**. Torque the 5/16"-18 cover bolts from **10 to 14 lbs.-ft.**



**BOLTING ON PUMP COVER
FIG. 84-2**

