

Ausgabe / version 06/08

Art.Nr./ No 01.132511 D/GB

Ersatzteil-Katalog / spare parts catalogue  
Bär Cargolift® Standard

BC 1500S4 –B3  
BC 2000S4 –C3  
BC 2000S4A–D3  
BC 3000S4 –S3

3% Rabatt bei Internet-Bestellung  
3% Discount on orders via Internet  
[www.baer-cargolift.de](http://www.baer-cargolift.de)

© Gerd Bär GmbH

Artikelnummer / *article number* 01.132511

Ausgabe / *version* 06/08

Änderungen vorbehalten.

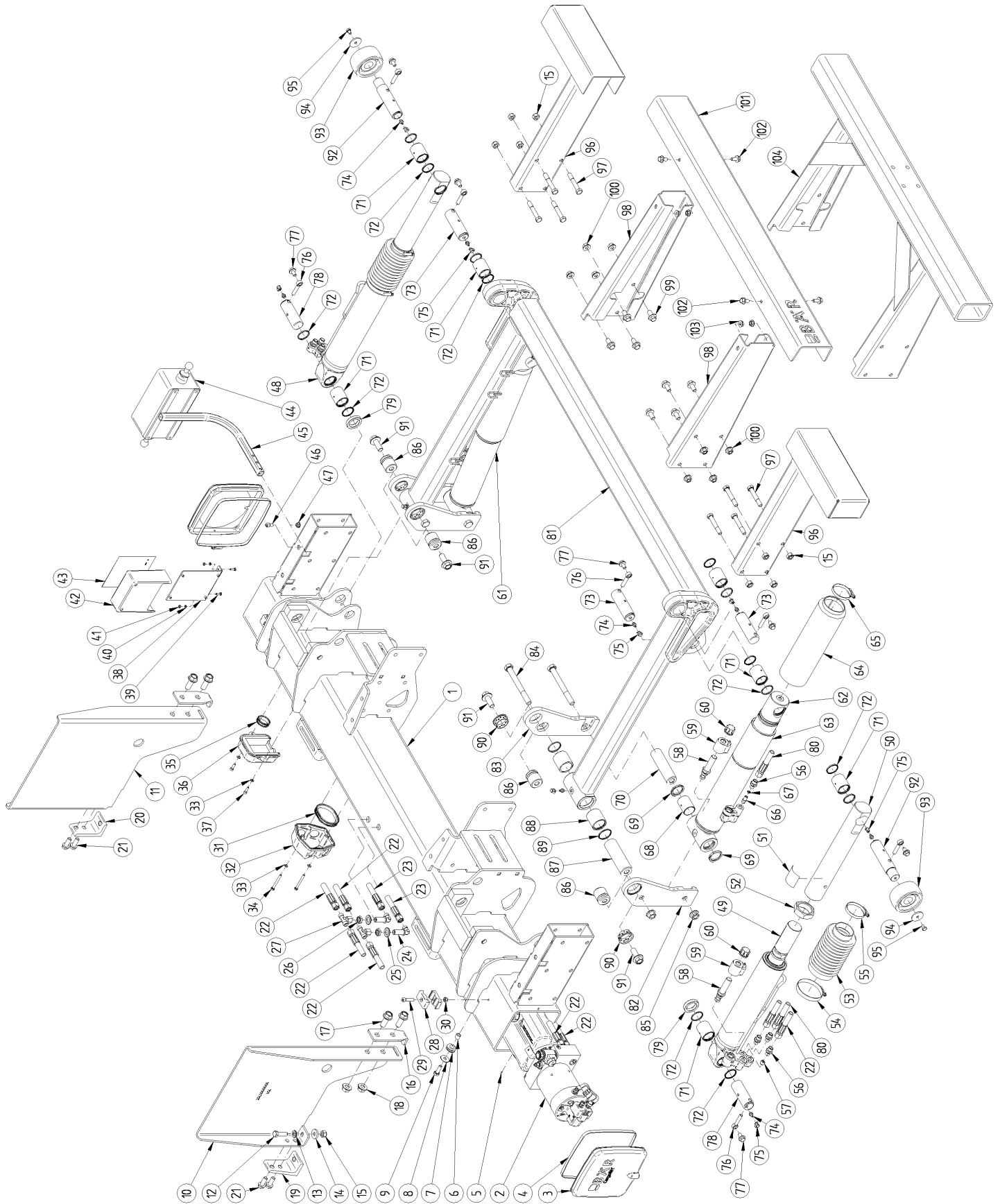
Nachdruck, Übersetzung und Vervielfältigung, auch auszugsweise, ist ohne unsere schriftliche Genehmigung nicht erlaubt.

*Reserved right of alteration.*

*The partial or complete reprinting, translation or copying is not permitted without our written consent*

## Inhaltsverzeichnis / content

|  |           |
|--|-----------|
| <b>Hubwerk / lifting mechanism.....</b>                            | <b>4</b>  |
| BC 1500S4 –B3 / BC 2000S4 –C3 / BC 2000S4A –D3.....                | 4         |
| BC 3000S4 –S.....  | 10        |
| <b>Plattform / platform.....</b>                                   | <b>14</b> |
| Plattform / platform Baplan40VL –B3 / –C3 / –D3 .....              | 14        |
| Plattform / platform BAplan50VL -S .....                           | 18        |
| Abrollsicberung / trolley stop 2RX / 3RX .....                     | 20        |
| Abrollsicberung / trolley stop 2Rx / 3Rx.....                      | 22        |
| Abrollsicberung / trolley stop 2Ax.....                            | 24        |
| Abrollsicberung / trolley stop 2AD; 2RD; 2ad; 2rd .....            | 26        |
| <b>Hydraulik / hydraulics.....</b>                                 | <b>28</b> |
| Hydraulikaggregat Haldex HA / hydraulic power pack Haldex HA ..... | 28        |
| Hydraulikaggregat Haldex HX / hydraulic power pack Haldex HX ..... | 30        |
| <b>Elektrik / electrics.....</b>                                   | <b>32</b> |
| Hubwerkelektrik / lifting mechanism electrics .....                | 32        |
| Hauptstromsicberung / main fuse .....                              | 33        |
| Plattformelektrik / platform electrics .....                       | 34        |
| Bedieneinheit / control unit.....                                  | 36        |
| Schlüsselschalter / key switch .....                               | 36        |
| <b>Ersatzteilbedingungen / Internetbestellung.....</b>             | <b>38</b> |
| <b>conditions of service parts / internet order .....</b>          | <b>39</b> |
| <b>Fax- Bestellformular / spare parts order form .....</b>         | <b>40</b> |
| <b>Notizen / Notes.....</b>  | <b>41</b> |
| <b>Bär Cargolift - Service Team.....</b>                           | <b>42</b> |

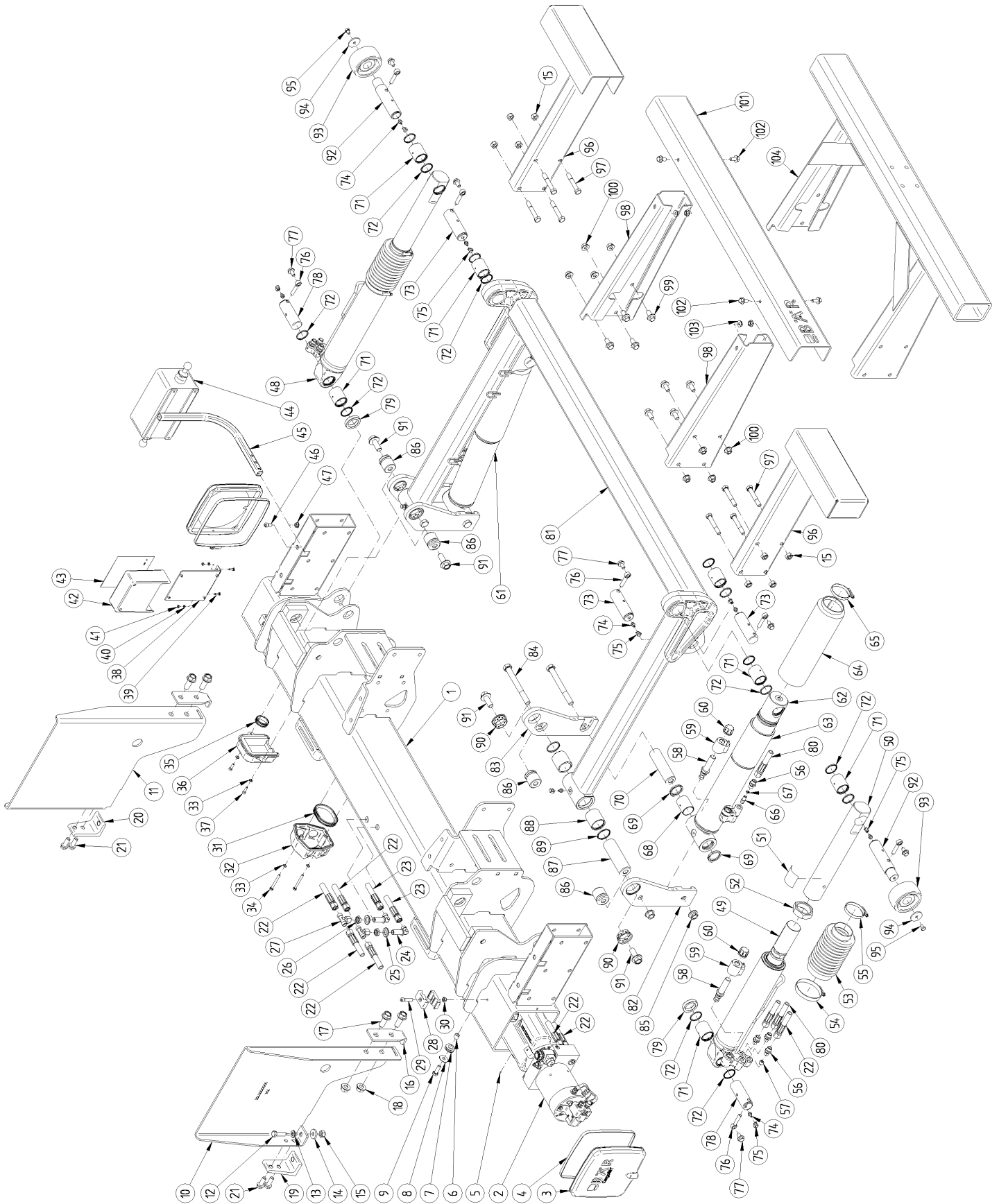


# Hubwerk / lifting mechanism

BC 1500S4 -B3 / BC 2000S4 -C3 / BC 2000S4A-D3

| Pos.<br>ref.     | Benennung                             | description                            | St.<br>qty.             | Art.-Nr. / art.- no. |           |           |
|------------------|---------------------------------------|--|-------------------------|----------------------|-----------|-----------|
|                  |                                       |  |                         | S4 -B3               | S4 -C3    | S4A-D3    |
| 1                | Tragrohr SG                           | beam                                   | 1                       | -                    | 01.136207 | -         |
|                  | Tragrohr SG                           | beam                                   | 1                       | 01.136288            | -         | -         |
|                  | Tragrohr SG                           | beam                                   | 1                       | -                    | -         | 01.136363 |
| 2                | Hydraulikaggregat                     | power pack                             | 12 V / 2.0 ccm / 1.7 kW | 1                    | HX.122215 | -         |
|                  | Hydraulikaggregat                     | power pack                             | 24 V / 2.0 ccm / 2 kW   | 1                    | HX.122216 | -         |
|                  | Hydraulikaggregat - Leiselauf         | low noise power pack                   | 24 V / 2.0 ccm / 2 kW   | 1                    | HX.122217 | -         |
|                  | Hydraulikaggregat                     | power pack                             | 24 V / 2.6 ccm / 2 kW   | 1                    | -         | HX.122218 |
|                  | Hydraulikaggregat - Leiselauf         | low noise power pack                   | 24 V / 2.6 ccm / 2 kW   | 1                    | -         | HX.122219 |
|                  | Hydraulikaggregat - 3 kW              | power pack - 3kW                       | 24 V / 2.6 ccm / 3 kW   | 1                    | -         | HX.122220 |
| 3                | Verschlußdeckel für Tragrohr          | cover for beam                         | 180 x 180 x 25          | 2                    | 01.123754 | 01.123754 |
| 4                | Schneckenwindeschelle C7/W4           | jubilee clip C7/W4                     | Torro 230 -250 / 9      | 2                    | 01.112790 | 01.112790 |
| 5                | Spannstift schwere Ausführung         | split pin                              | ø3 x 10                 | 1                    | 01.123349 | 01.123349 |
| 6                | Präz.-Rohr nahtlos                    | spacer sleeve                          | ø15 x 1.5 x 13          | 1                    | 01.117022 | 01.117022 |
| 7                | Kabeldurchführungstülle               | grommet                                | ø15                     | 1                    | 01.117016 | 01.117016 |
| 8                | Scheibe Form A                        | washer form A                          | ø10.5                   | 1                    | 01.103062 | 01.103062 |
| 9                | Sechskantschraube                     | hexagon screw                          | M10 x 30                | 1                    | 01.100603 | 01.100603 |
| 10               | Aufhängeplatte Kantteil links         | mounting plate left-hand side          | 400 hoch / 6 x Form     | 1                    | 01.126047 | 01.126047 |
|                  | Aufhängeplatte Kantteil links         | mounting plate left-hand side          | 400 hoch / 4 x Form     | 1                    | 01.127161 | -         |
|                  | Aufhängeplatte Kantteil links         | mounting plate left-hand side          | 500 hoch / 6 x Form     | 1                    | -         | 01.127782 |
| 11               | Aufhängeplatte Kantteil rechts        | mounting plate right-hand side         | 400 hoch / 6 x Form     | 1                    | 01.126048 | 01.126048 |
|                  | Aufhängeplatte Kantteil rechts        | mounting plate right-hand side         | 400 hoch / 4 x Form     | 1                    | 01.127162 | -         |
|                  | Aufhängeplatte Kantteil rechts        | mounting plate right-hand side         | 500 hoch / 6 x Form     | 1                    | -         | 01.127783 |
| 12               | Sechskantschraube                     | hexagon screw                          | M12 x 40                | 1                    | 01.100614 | 01.100614 |
| 13               | Scheibe Form B                        | washer form B                          | ø13                     | 1                    | 01.100743 | 01.100743 |
| 14               | Scheibe                               | washer                                 | ø13                     | 1                    | 01.119308 | 01.119308 |
| 15               | Sechskantmutter selbstsichernd        | hexagon nut self-locking flat form     | M12                     | 9                    | 01.110185 | 01.110185 |
| 16               | Druckplatte                           | pressure plate                         | 50 x 6 x 180            | 2                    | 01.126046 | 01.126046 |
| 17               | Flanschschaube                        | securing screw - VERBUS RIPP           | M16 x 40                | 4                    | 01.100709 | 01.100709 |
| 18               | Rippmutter                            | securing nut VERBUS RIPP               | M16                     | 2                    | 01.100736 | 01.100736 |
| 19               | Konsole links                         | console left-hand side                 | L 100 x 50 x 10 x 60    | 1                    | 01.119951 | 01.119951 |
| 20               | Konsole rechts                        | console right-hand side                | L 100 x 50 x 10 x 60    | 1                    | 01.119952 | 01.119952 |
| 21               | Flanschschaube                        | securing screw - VERBUS RIPP           | M12 x 30                | 4                    | 01.100708 | 01.100708 |
| 22               | Hydraulikschlauch 2 x DKOL 10L        | hydraulic hose 2 x DKOL 10L            | DN 6 x 1800             | 8                    | 01.137524 | 01.137524 |
| 23               | Hydraulikschlauch 2 x DKOL 10L        | hydraulic hose 2 x DKOL 10L            | DN 8 x 1650             | 2                    | 01.131784 | 01.131784 |
| 24               | Winkel-Schottverschraubung            | angle bulkhead union                   | WSV 10 PLM 16 x 1.5     | 1                    | 01.109143 | 01.109143 |
| 25               | Scheibe Form B                        | washer form B                          | ø17                     | 2                    | 01.100747 | 01.100747 |
| 26               | Gegenmutter M16 x 1.5                 | securing nut M16 x 1.5                 | GM10-L / 8-S            | 2                    | 01.112921 | 01.112921 |
| 27               | T-Anschlußstutzen einstellbar         | T-adaptor adjustable OMD/ O-Ring       | EVT 10 PLM 16 x 1.5     | 2                    | 01.105634 | 01.105634 |
| 28               | Doppelschelle - lose                  | double clip - not assembled            | 214.0 / 14.0 PP 2D      | 4                    | 01.129943 | 01.129943 |
| 29               | Zylinderschraube mit Innensechskant   | hexagon socket head cap screw          | M8 x 35                 | 2                    | 01.100542 | 01.100542 |
| 30               | Sechskantmutter selbstsichernd        | hexagon nut self-locking flat form     | M8                      | 1                    | 01.100720 | 01.100720 |
| 31               | Kantenschutzprofil G 51 P-F           | profile for border protection G 51 P-F |                         | 1                    | 01.114165 | 01.114165 |
| 32               | Haube für elektrische Schnittstelle   | cover for electric interface           |                         | 1                    | 01.123601 | 01.123601 |
| 33               | Scheibe Form B                        | washer form B                          | ø6.4                    | 4                    | 01.100740 | 01.100740 |
| 34               | Sechskantschraube                     | hexagon screw                          | M6 x 60                 | 2                    | 01.123878 | 01.123878 |
| 35               | Kantenschutzprofil G 51 P-F           | profile for border protection G 51 P-F |                         | 1                    | 01.114165 | 01.114165 |
| 36               | Schutzhaube                           | protection cover                       |                         | 1                    | 01.116336 | 01.116336 |
| 37               | Zylinderschraube mit Innensechskant   | hexagon socket head cap screw          | M6 x 20                 | 2                    | 01.100534 | 01.100534 |
| 38               | Scharnier für Zentralelektrik         | hinge for central electric circuit     |                         | 1                    | 01.118234 | 01.118234 |
| 39               | Sechskantschraube                     | hexagon screw                          | M5 x 16                 | 2                    | 01.100565 | 01.100565 |
| 40               | Scheibe Form B                        | washer form B                          | ø5.3                    | 2                    | 01.100739 | 01.100739 |
| 41               | Sechskantmutter selbstsichernd        | hexagon nut self-locking flat form     | M5                      | 2                    | 01.118746 | 01.118746 |
| 42               | Schutzhaube für Zentralelektrik       | protection cover mainboard             |                         | 1                    | 01.126957 | 01.126957 |
| 43               | Hinweisschild Notbetrieb              | sign for emergency operation           | 126 x 134               | 1                    | 01.123317 | 01.123317 |
| 44               | Bedieneinheit - QuickShift rechts     | control box - QuikShift only right     |                         | 1                    | 01.122830 | 01.122830 |
|                  | Bedieneinheit r - QuikShift nur links | Control box QuikShift - only left      |                         | 1                    | 01.123863 | -         |
|                  | Bedieneinheit zusätzlich links        | control box w additional left          |                         | 1                    | 01.123864 | 01.123864 |
|                  | Bedieneinheit mit Schlüsselschalter   | control box with key switch            |                         | 1                    | 01.123448 | 01.123448 |
| 45               | Halter für Bedieneinheit              | mounting bracket for control box       |                         | 1                    | 01.116340 | 01.116340 |
| 46               | Zylinderschraube mit Innensechskant   | hexagon socket                         | M8 x 16                 | 1                    | 01.100538 | 01.100538 |
| 47               | Rippmutter                            | securing nut VERBUS RIPP               | M8                      | 1                    | 01.125226 | 01.125226 |
| 48 <sup>a)</sup> | Neigzylinder BS                       | tilting cylinder kit                   | DZ 60/40-220            | 2                    | 01.136658 | -         |
|                  | Neigzylinder BS                       | tilting cylinder kit                   | DZ 70/50-272            | 2                    | -         | 01.136236 |
|                  | Dichtsatz kpl.                        | sealing kit compl.                     | DZ 60/40-220            | 2                    | 01.116620 | -         |

- <sup>a)</sup> Neigzylinder BS / lifting cylinder kit = 49, 50, 52 - 58



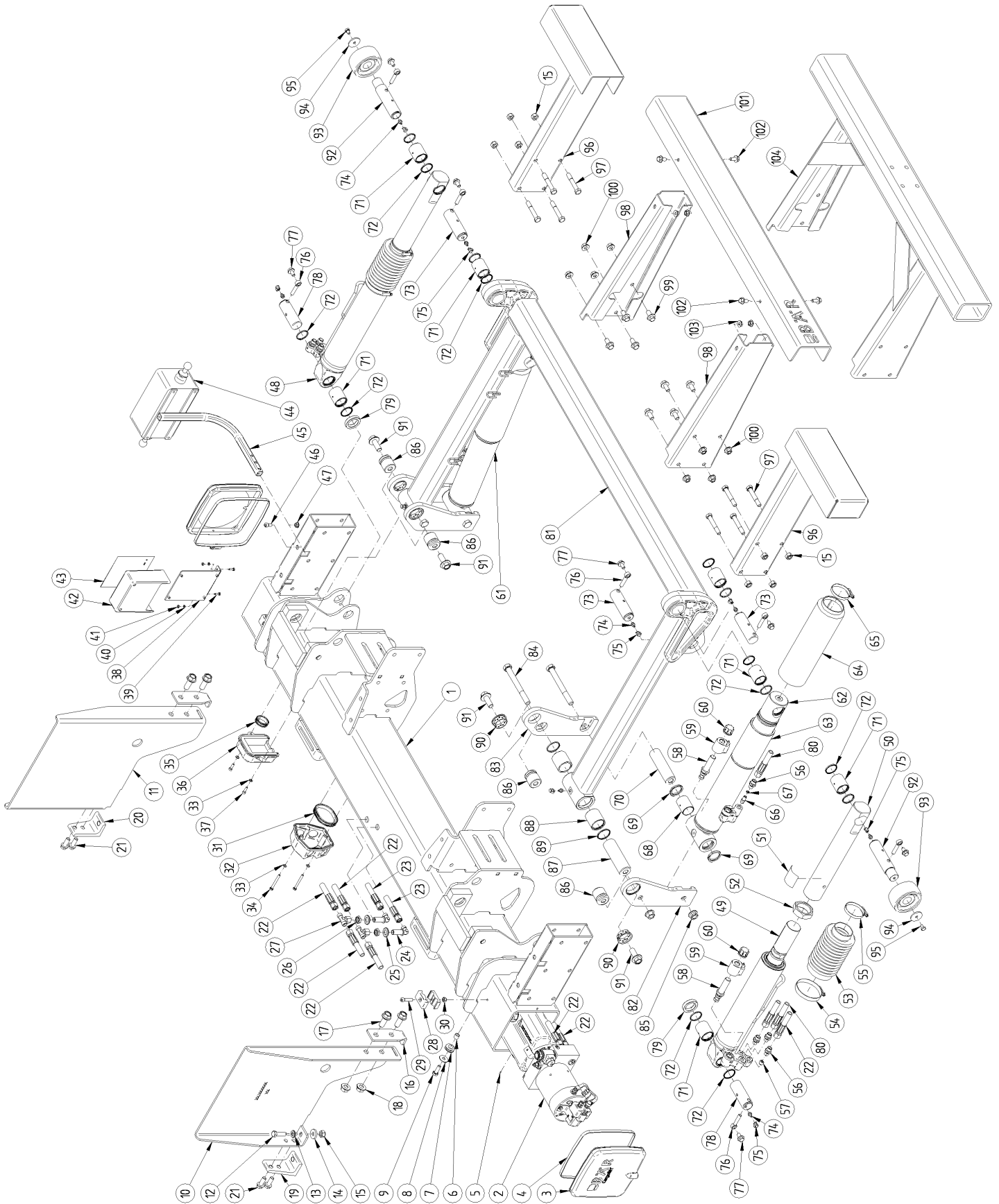
# Hubwerk / lifting mechanism

BC 1500S4 –B3 / BC 2000S4 –C3 / BC 2000S4A-D3

| Pos.<br>ref.     | Benennung                         | description                           |                                      | St.<br>qty. | Art.-Nr. / art.- no. |           |           |
|------------------|-----------------------------------|---------------------------------------|--------------------------------------|-------------|----------------------|-----------|-----------|
|                  |                                   |                                       |                                      |             | S4 –B3               | S4 –C3    | S4A-D3    |
|                  | Dichtsatz kpl.                    | sealing kit compl.                    | DZ 70/50-272                         | 2           | -                    | 01.126091 | 01.126091 |
|                  | Dichtsatz kpl.                    | sealing kit compl.                    | DZ 70/50-272                         | 2           | -                    | 01.116619 | 01.116619 |
| 49               | Neigzylinder -- Mehrli-Artikel    | tilting cylinder                      | DZ 60/40-220                         | 2           | XX.114690            | -         | -         |
|                  | Neigzylinder -- Mehrli-Artikel    | tilting cylinder                      | DZ 70/50-272                         | 2           | -                    | XX.114689 | XX.114689 |
| 50               | Stangenkopf BG mit Lager          | cylinder extension with bearing       | AL 800 / DZ 70/50-272                | 1           | -                    | 01.136241 | 01.136241 |
|                  | Stangenkopf BG mit Lager          | cylinder extension with bearing       | AL 900 / DZ 70/50-272                | 1           | -                    | 01.136242 | 01.136242 |
|                  | Stangenkopf BG mit Lager          | cylinder extension with bearing       | AL 1000 / DZ 70/50-272               | 1           | -                    | 01.136243 | 01.136243 |
|                  | Stangenkopf BG mit Lager          | cylinder extension with bearing       | AL 1100 / DZ 70/50-272               | 1           | -                    | 01.136244 | 01.136244 |
|                  | Stangenkopf BG mit Lager          | cylinder extension with bearing       | AL 800 / DZ 60/40-220                | 1           | 01.136667            | -         | -         |
|                  | Stangenkopf BG mit Lager          | cylinder extension with bearing       | AL 900 / DZ 60/40-220                | 1           | 01.136668            | -         | -         |
|                  | Stangenkopf BG mit Lager          | cylinder extension with bearing       | AL 1000 / DZ 60/40-220               | 1           | 01.136669            | -         | -         |
| 51               | Hinweisschild Montage Faltenbalg  | sign for mounting the gaiter          | 50 x 60                              | 1           | 01.128188            | 01.128188 | 01.128188 |
| 52               | Kontermutter für Stangenkopf      | lock nut for cylinder extension       |                                      | 1           | 01.114840            | 01.107873 | 01.107873 |
| 53               | Faltenbalg                        | gaiter                                | DZ 60/40-220                         | 1           | 01.127155            | -         | -         |
|                  | Faltenbalg                        | gaiter                                | DZ 70/50-272                         | 1           | -                    | 01.127156 | 01.127156 |
| 54               | Schneckenwindeschelle C7/W4       | jubilee clip C7/W4                    | Torro 80 -100 / 13                   | 1           | 01.100821            | 01.100821 | 01.100821 |
| 55               | Schneckenwindeschelle C7/W2       | jubilee clip C7/W2                    | Torro 60 - 80 / 9                    | 2           | 01.100818            | 01.100818 | 01.100818 |
| 56               | Einschraubverschraubung gerade    | pipe fitting straight - OMD           | GE 10 PLR 1/4" ED                    | 5           | 01.127545            | 01.127545 | 01.127545 |
| 57               | Drosselblende                     | throttle valve                        | G 1/4                                | 1           | 01.100424            | 01.100425 | 01.100425 |
| 58               | Ventileinsatz                     | valve insert                          | 2/2 doppeltgesperrt                  | 4           | 01.124863            | 01.124863 | 01.124863 |
|                  | Dichtsatz kpl. für 2/2 Sitzventil | sealing kit compl. for 2/2 seat valve |                                      | 4           | 01.109440            | 01.109440 | 01.109440 |
| 59               | Magnetspule mit Kabel             | magnetic coil with cable              | 24 V 2 x 0.75 mm <sup>2</sup> x 4550 | 2           | 01.124862            | 01.124862 | 01.124862 |
|                  | Magnetspule mit Kabel             | magnetic coil with cable              | 12 V 2 x 0.75 mm <sup>2</sup> x 4550 | 2           | 01.124893            | 01.124893 | 01.124893 |
| 60               | Hutmutter                         | cap nut                               | M18 x 1.5                            | 2           | 01.124771            | 01.124771 | 01.124771 |
| 61 <sup>b)</sup> | Hubzylinder BS                    | lifting cylinder kit                  | EZ 70-285                            | 1           | -                    | 01.126005 | 01.126005 |
|                  | Hubzylinder BS                    | lifting cylinder kit                  | EZ 60-285                            | 1           | 01.125990            | -         | -         |
|                  | Dichtsatz für EZ 70-171/-231/-285 | sealing kit EZ 70-285                 | EZ 70-171/-231/-285                  | 1           | -                    | 01.132219 | 01.132219 |
|                  | Dichtsatz für EZ 60-285           | sealing kit EZ 60-285                 | EZ 60-285                            | 1           | 01.132214            | -         | -         |
| 62               | Hubzylinder – Mehrli - Artikel    | lifting cylinder                      | EZ 70-285                            | 2           | -                    | XX.114687 | XX.114687 |
|                  | Hubzylinder -- Mehrli - Artikel   | lifting cylinder                      | EZ 60-285                            | 2           | XX.114688            | -         | -         |
| 63               | Kolbenstange für Hubzylinder      | piston rod for lifting cylinder       | EZ 70-285                            | 2           | -                    | 01.118239 | 01.118239 |
|                  | Kolbenstange für Hubzylinder      | piston rod for lifting cylinder       | EZ 60-285                            | 2           | 01.120067            | -         | -         |
| 64               | Schutzrohr                        | cylinder cover                        | EZ 60-285                            | 1           | 01.127094            | -         | -         |
|                  | Schutzrohr                        | cylinder cover                        | EZ 70-285                            | 1           | -                    | 01.127092 | 01.127092 |
| 65               | Schneckenwindeschelle C7/W2       | jubilee clip C7/W2                    | Torro 60 - 80 / 9                    | 1           | 01.100822            | 01.100818 | 01.100818 |
| 66               | Senkbremsventil                   | safety flow restrictor                | G1/4"                                | 1           | 01.116907            | 01.116284 | 01.116284 |
| 67               | Zahnscheibe Form A                | gear wheel form A                     | ø6.4                                 | 1           | 01.128523            | 01.128523 | 01.128523 |
| 68               | Lagerbuchse mit Schmierbohrung    | bearing bush with greasing hole       | ø35 / ø39 x 50                       | 1           | 01.125935            | 01.125935 | 01.125935 |
| 69               | Quad-Ring gelocht                 | quad-ring                             | ø34.25 x 5.33                        | 2           | 01.126353            | 01.126353 | 01.126353 |
| 70               | Hülse                             | sleeve                                | ø35 / ø16.4 x 129                    | 1           | 01.114797            | 01.114797 | 01.114797 |
| 71               | Lagerbuchse mit Schmiernut        | bearing bush with greasing nut        | ø42 / ø35 x 50                       | 7           | 01.125932            | 01.125932 | 01.125932 |
| 72               | Dichtring                         | sealing ring                          | ø35 / ø39.5 x 3                      | 14          | 01.126455            | 01.126455 | 01.126455 |
| 73               | Bolzen mit Schmierbohrung         | bolt with greasing hole               | ø35 x 112                            | 4           | 01.130229            | 01.130229 | 01.130229 |
| 74               | Kegelschmiernippel H1 / 180°      | grease nipple H1 / 180°               | AM 10 x 1                            | 9           | 01.100846            | 01.100846 | 01.100846 |
| 75               | Schutzkappe mit Lasche            | protection cap with tonque            | EP 985 Form B                        | 9           | 01.109328            | 01.109328 | 01.109328 |
| 76               | Augstift                          | eye pin                               | ø10 x 50                             | 8           | 01.129952            | 01.129952 | 01.129952 |
| 77               | Flanschschraube mikroverkapselt   | securing screw - VERBUS RIPP          | M10 x 18                             | 8           | 01.129960            | 01.129960 | 01.129960 |
| 78               | Bolzen mit Schmierbohrung         | bolt with greasing hole               | ø35 x 102                            | 2           | 01.136659            | 01.136659 | 01.136659 |
| 79               | Distanzring                       | spacer ring                           | ø50 x ø35,5 x 10                     | 2           | 01.137493            | 01.137493 | 01.137493 |
| 80               | Hydraulikschlauch 2 x DKOL 10L    | hydraulic hose 2x DKOL 10L            | DN 6 x 680                           | 2           | 01.109141            | 01.109141 | 01.109141 |
| 81 <sup>c)</sup> | Hubschwinge SG                    | lifting arm welding module            | AL 900                               | 1           | 01.136226            | 01.136226 | 01.136226 |
|                  | Hubschwinge SG                    | lifting arm welding module            | AI 800                               | 1           | 01.136260            | 01.136260 | 01.136260 |
|                  | Hubschwinge SG                    | lifting arm welding module            | AI 900                               | 1           | 01.137058            | 01.137058 | 01.137058 |
|                  | Hubschwinge SG                    | lifting arm welding module            | AL 1000                              | 1           | 01.136420            | 01.136420 | 01.136420 |
|                  | Hubschwinge SG                    | lifting arm welding module            | AI 1100                              | 1           | -                    | 01.136428 | -         |
| 82               | Gelenkkonsole links               | mechanical link left-hand side        | 15 x Form                            | 2           | 01.136234            | 01.136234 | 01.136234 |
| 83               | Gelenkkonsole rechts              | mechanical link right-hand side       | 15 x Form                            | 2           | 01.136235            | 01.136235 | 01.136235 |
| 84               | Sechskantschraube                 | hexagon screw                         | M16 x 155                            | 4           | 01.127725            | 01.127725 | 01.127725 |
| 85               | Rippmutter                        | securing nut VERBUS RIPP              | M16                                  | 2           | 01.100736            | 01.100736 | 01.100736 |
| 86               | Bolzen                            | bolt                                  | ø40 x 44                             | 4           | 01.126053            | 01.126053 | 01.126053 |
| 87               | Hülse                             | sleeve                                | ø40 / ø16.4 x 130                    | 1           | 01.136224            | 01.136224 | 01.136224 |
| 88               | Lagerbuchse                       | bearing bush                          | ø40 / ø48 x 49                       | 2           | 01.136222            | 01.136222 | 01.136222 |
| 89               | Dichtring Y3 4044 P5008           | seal ring                             | ø40 / ø44.5 x 2.8                    | 2           | 01.126454            | 01.126454 | 01.126454 |
| 90               | Bundbuchse                        | bush with collar                      | 40 x 44/50 x 17/2.0                  | 4           | 01.131409            | 01.131409 | 01.131409 |

- <sup>b)</sup> Hubzylinder BS / tilting cylinder kit = 56, 58, 62, 64, 65, 66, 67, 69, 72, 74, 75

- <sup>c)</sup> Bei Bestellung bitte Seriennummer und Typbezeichnung angeben  
please order with serial number and type specification



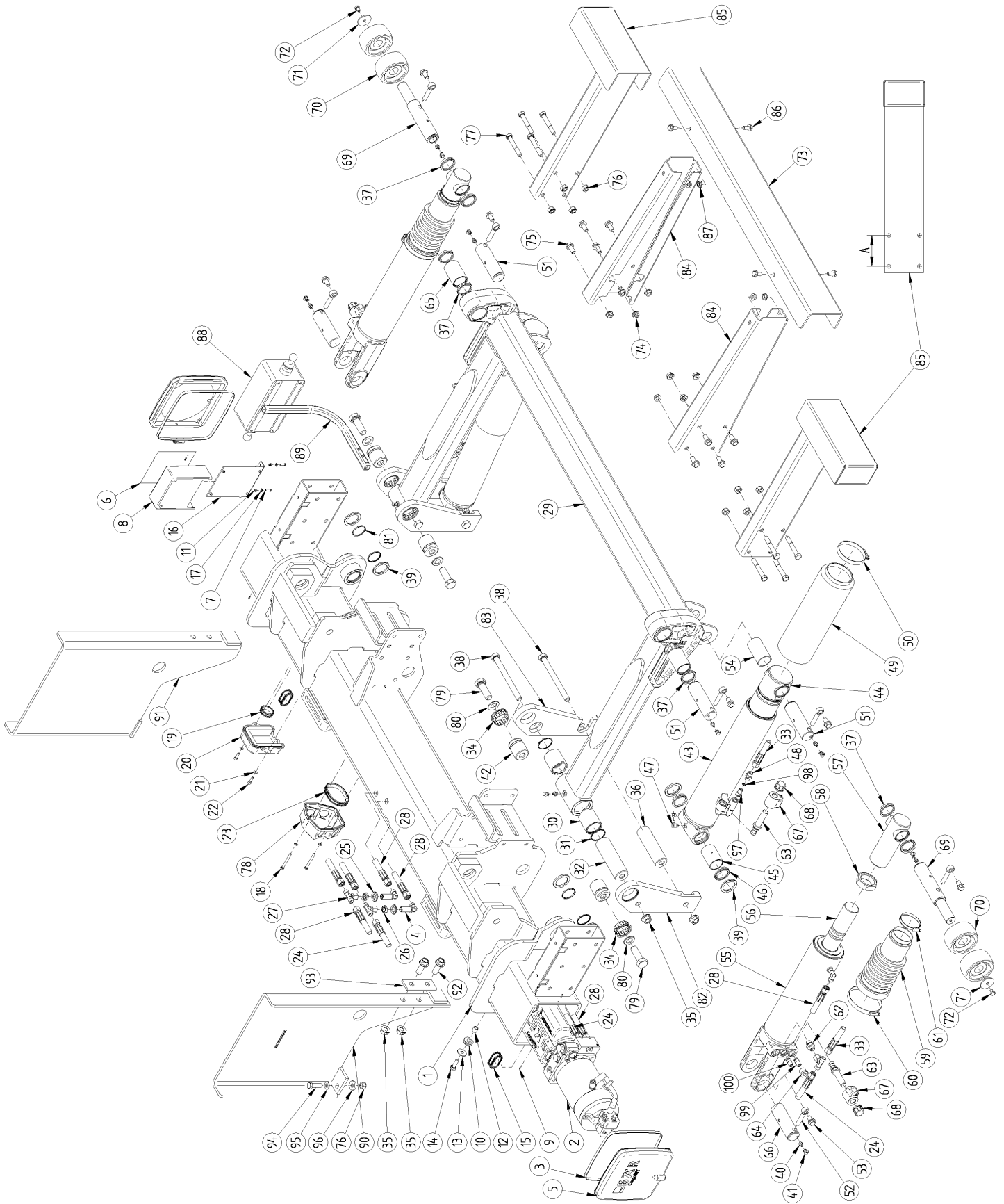


# Hubwerk / lifting mechanism

BC 1500S4 –B3 / BC 2000S4 –C3 / BC 2000S4A-D3

| Pos.<br>ref.      | Benennung   | description   |                 | St.<br>qty. | Art.-Nr. / art.- no. |           |           |
|-------------------|---|---|-----------------|-------------|----------------------|-----------|-----------|
|                   |   |   |                 |             | S4 –B3               | S4 –C3    | S4A-D3    |
| 91                | Flanschschraube                                   | securing screw - VERBUS RIPP                          | M16 x 40        | 4           | 01.100709            | 01.100709 | 01.100709 |
| 92                | Bolzen für Bodenrolle                             | bolt for ground roller                                | ø30 / ø35 x 156 | 2           | 01.136852            | 01.136852 | 01.136852 |
| 93                | Bodenrolle  | ground roller   | ø100            | 2           | 01.125068            | 01.125068 | 01.125068 |
| 94                | Scheibe - Kotflügelscheibe                        | washer  | ø8.4 / ø40 x 3  | 2           | 01.125523            | 01.125523 | 01.125523 |
| 95                | Sechskantschraube - mikroverkapselt               | hexagon srew 3M - micro capsulet                      | M8 x 12         | 2           | 01.100702            | 01.100702 | 01.100702 |
| 96 <sup>c)</sup>  | Seitenteil UFS SG                                 | side part under run bar                               | 575 / 700 mm    | 2           | 01.136440            | 01.136440 | -         |
|                   | Seitenteil UFS SG                                 | side part under run bar                               | 435 / 560 mm    | 2           | 01.136444            | 01.136444 | 01.136444 |
| 97                | Sechskantschraube                                 | hexagon screw   | M12 x 75        | 8           | 01.120479            | 01.120479 | 01.120479 |
| 98 <sup>c)</sup>  | Stütze für UFS- Mittelteil                        | jack leg URB - middle part                            | 575 / 700 mm    | 2           | 01.136281            | 01.136281 | -         |
|                   | Stütze für UFS- Mittelteil                        | jack leg URB - middle part                            | 435 / 560 mm    | 2           | 01.136439            | 01.136439 | 01.136439 |
| 99                | Flanschschraube                                   | securing screw - VERBUS RIPP                          | M12 x 25        | 8           | 01.100707            | 01.100707 | 01.100707 |
| 100               | Rippmutter  | securing nut VERBUS RIPP                              | M12             | 8           | 01.106394            | 01.106394 | 01.106394 |
| 101               | Unterfahrerschutz Mittelteil                      | under run bar middle part                             | 5 x Form        | 1           | 01.136655            | 01.136655 | 01.136655 |
| 102               | Flanschschraube - mikroverkapselt                 | securing screw - VERBUS RIPP                          | M10 x 20        | 4           | 01.137503            | 01.137503 | 01.137503 |
| 103               | Rippmutter  | securing nut VERBUS RIPP                              | M10             | 4           | 01.100735            | 01.100735 | 01.100735 |
| 104               | Anhängebock SG                                    | towing bracket  |                 | 1           | 01.137662            | 01.137662 | 01.137662 |
| 105 <sup>c)</sup> | Typenschild Cargolift                             | type sign to labelling "Cargolift"                    | 137 x 57.5      | 1           | 01.119847            | 01.119847 | 01.119847 |
| 106 <sup>c)</sup> | Typenschild UFS                                   | type sign under run bar                               | 110 x 26        | 1           | 01.119848            | 01.119848 | 01.119848 |
| 107 <sup>c)</sup> | Typenschild Serien-Nr.                            | type sign serial-no.                                  | 60 x 15         | 1           | 01.119849            | 01.119849 | 01.119849 |
| 108               | Hinweisschild "Schmierintervall beachten"         | sign - "consider the lubrication interval"            | 110 x 26        | 1           | 01.126412            | 01.126412 | 01.126412 |
| 109               | CE-Plakette                                       | CE-sticker  | ø 65            | 1           | 01.103182            | 01.103182 | 01.103182 |
| 110               | Prüfplakette nach UVV/BGV                         | inspection badge on UVV/BGV                           |                 | 1           | 01.101001            | 01.101001 | 01.101001 |
| 111               | Hydrauliköl AVILUB FLUID BC 15                    | hydraulic oil AVILUB FLUID BC 15                      |                 | 1           | 01.129052            | 01.129052 | 01.129052 |
| 112               | Hydrauliköl biologisch abbaubar Bär Syntofluid 10 | enviromental friendly hydraulic oil Bär Syntofluid 10 |                 | 1           | 01.134305            | 01.134305 | 01.134305 |
| 113               | Hinweisschild Ölwechsel für Bär Syntofluid 10     | sign oil change for Bär Systofluid 10                 |                 | 1           | 01.128757            | 01.128757 | 01.128757 |

<sup>c)</sup> Bei Bestellung bitte Seriennummer und Typbezeichnung angeben  
please order with serial number and type specification



| Pos.<br>ref.     | Benennung                               | description                               |                      | St.<br>qty. | Art. - Nr.<br>art. - no. |
|------------------|---|---|----------------------|-------------|--------------------------|
| 1 <sup>d)</sup>  | Tragrohr SG                             | beam                                      |                      | 1           | 01.130442                |
| 2 <sup>a)</sup>  | Hydraulikaggregat BG                    | power pack kit                            | 24 V                 | 1           | 01.130781                |
|                  | Hydraulikaggregat BG                    | power pack kit                            | 12 V                 | 1           | 01.131583                |
| 3                | Schneckenewindeschelle C7/W4            | jubilee clip C7/W4                        | Torro 230 -250 / 9   | 2           | 01.112790                |
| 4                | Winkel-Schottverschraubung 90°/ OMD     | angle bulkhead union 90°/ OMD             | WSV10 PLM 16x1.5     | 2           | 01.109143                |
| 5                | Verschlußdeckel für Tragrohr            | cover for beam                            | 180 x 180 x 25       | 2           | 01.123754                |
| 6                | Hinweisschild Notbetrieb                | sign for emergency operation              | 126 x 134            | 1           | 01.123317                |
| 7                | Sechskantschraube                       | hexagon screw                             | M5 x 16              | 2           | 01.100565                |
| 8                | Schutzhaube für Zentralelektrik         | protection cover mainboard                |                      | 1           | 01.118235                |
| 9                | Spannstift schwere Ausführung           | split pin                                 | ø3 x 10              | 3           | 01.123349                |
| 10               | Kabeldurchführungstülle                 | grommet                                   | ø15                  | 1           | 01.117016                |
| 11               | Sechskantmutter selbstsichernd          | hexagon nut self-locking flat form        | M5                   | 2           | 01.118746                |
| 12               | Präz.-Rohr nahtlos                      | spacer sleeve                             | ø15 x 1.5 x 13       | 1           | 01.117022                |
| 13               | Scheibe Form A                          | washer form A                             | ø10.5                | 1           | 01.103062                |
| 14               | Sechskantschraube                       | hexagon screw                             | M10 x 30             | 1           | 01.100603                |
| 15               | Kantenschutzprofil G 51 P-H             | profile for border protection G 51 P-H    | 250 mm               | 2           | 01.115453                |
| 16               | Scharnier für Zentralelektrik           | hinge for central electric circuit        |                      | 1           | 01.118234                |
| 17               | Scheibe Form B                          | washer form B                             | ø5.3                 | 2           | 01.100739                |
| 18               | Sechskantschraube                       | hexagon screw                             | M6 x 60              | 2           | 01.123878                |
| 19               | Kantenschutzprofil G 51 P-F             | profile for border protection G 51 P-F    | 110 mm               | 1           | 01.114165                |
| 20               | Schutzhaube kpl. für Hauptstromanschluß | protection cover for main feed connection |                      | 1           | 01.116336                |
| 21               | Scheibe Form B                          | washer form B                             | ø6.4                 | 4           | 01.100740                |
| 22               | Zylinderschraube mit Innensechskant     | hexagon socket head cap screw             | M6 x 20              | 2           | 01.100534                |
| 23               | Kantenschutzprofil G 51 P-F             | profile for border protection G 51 P-F    | 460 mm               | 1           | 01.114165                |
| 24               | Hydraulikschlauch 2 x DKOL 10L          | hydraulic hose 2 x DKOL 10L               | DN 8 x 1250          | 2           | 01.131786                |
| 25               | Scheibe Form B                          | washer form B                             | ø17                  | 2           | 01.100747                |
| 26               | Gegenmutter M16 x 1.5                   | securing nut M16 x 1.5                    | GM10-L / 8-S         | 2           | 01.112921                |
| 27               | T-Anschlußstützen einstellbar OMD       | T-adaptor adjustable OMD/ O-Ring          | EVT 10 PLM 16x1.5    | 4           | 01.105634                |
| 28               | Hydraulikschlauch 2 x DKOL 10L          | hydraulic hose 2 x DKOL 10L               | DN 8 x 1650          | 4           | 01.131784                |
| 29               | Hubschwinge SG                          | lifting arm                               | Al 800               | 1           | 01.130677                |
|                  | Hubschwinge SG                          | lifting arm                               | Al 900               | 1           | 01.130678                |
|                  | Hubschwinge SG                          | lifting arm                               | Al 1000              | 1           | 01.130406                |
| 30               | Lagerbuchse                             | bearing bush                              | ø45 / ø51 x 59       | 4           | 01.130445                |
| 31               | Quad-Ring gelocht                       | quad-ring                                 | ø44.15 x 2.62        | 4           | 01.130447                |
| 32               | Hülse                                   | sleeve                                    | ø45 / ø16.4 x 149    | 2           | 01.130449                |
| 33               | Hydraulikschlauch 2 x DKOL 10L          | hydraulic hose 2x DKOL 10L                | DN 6 x 680           | 2           | 01.109141                |
| 34               | Bundbuchse                              | bush with collar                          | 45 x 50/55 x 23/2.5  | 4           | 01.131410                |
| 35               | Sicherungsmutter - VERBUS RIPP          | securing nut VERBUS RIPP                  | M16                  | 30          | 01.100736                |
| 36               | Hülse                                   | sleeve                                    | ø40 / ø16.4 x 143    | 2           | 01.130455                |
| 37               | Dichtung BS für Plattform Montage       | quad-ring kit for platform                | ø44.12 x 2.62        | 4           | 01.130773                |
| 38               | Sechskantschraube                       | hexagon screw                             | M16 x 180            | 4           | 01.125227                |
| 39               | Distanzring                             | spacer ring                               | ø55 x ø40.5 x 4.5    | 4           | 01.130720                |
| 40               | Kegelschmiernippel H1 / 180°            | grease nipple H1 / 180°                   | AM 10 x 1            | 6           | 01.100846                |
| 41               | Schutzkappe mit Lasche                  | protection cap with tonque                | EP 985 Form B        | 7           | 01.109328                |
| 42               | Bolzen                                  | bolt                                      | ø45 x 55             | 4           | 01.130721                |
| 43 <sup>b)</sup> | Hubzylinder BS                          | lifting cylinder                          | EZ 85-285            | 1           | 01.130457                |
| 44               | Hubzylinder                             | lifting cylinder                          | EZ 85-285            | 2           | WS.130030                |
| 45               | Lagerbuchse mit Schmierbohrung          | bearing bush with greasing hole           | ø40 / ø45 x 65       | 1           | 01.130111                |
| 46               | Quad-Ring innen gelocht                 | quad-ring                                 | ø39.2 x 5.33         | 2           | 01.126351                |
| 47               | Kegelschmiernippel H3 / 90°             | grease nipple H3 / 90°                    | BM 10 x 1            | 1           | 01.100847                |
| 48               | Einschraubverschraubung gerade - OMD    | pipe fitting straight - OMD               | GE 10 PLR 1/4" ED    | 2           | 01.127545                |
| 49               | Schutzrohr für EZ 85-285                | cylinder cover EZ 85-285                  | ø112 / ø84 x 2 x 340 | 2           | 01.127110                |
| 50               | Schneckenewindeschelle C7/W4            | jubilee clip C7/W1                        | Torro 80 -100 / 13   | 1           | 01.100821                |
| 51               | Bolzen                                  | bolt                                      | ø40 x 135            | 2           | 01.130456                |
| 52               | Augstift                                | eye pin                                   | ø12 x 60             | 4           | 01.130785                |
| 53               | Sicherungsschraube - VERBUS RIPP        | securing screw - VERBUS RIPP              | M12 x 20             | 4           | 01.130787                |
| 54               | Gleitlager Form S                       | sliding bearing                           | ø40 / ø45 x 80       | 1           | 01.122518                |
| 55 <sup>c)</sup> | Neigzylinder BS                         | tilting cylinder kit                      | DZ 90/50-272         | 1           | 01.130470                |
| 56               | Neigzylinder                            | tilting cylinder                          | DZ 90/50-272         | 2           | WS.127737                |

- a) siehe Seite / see page 28

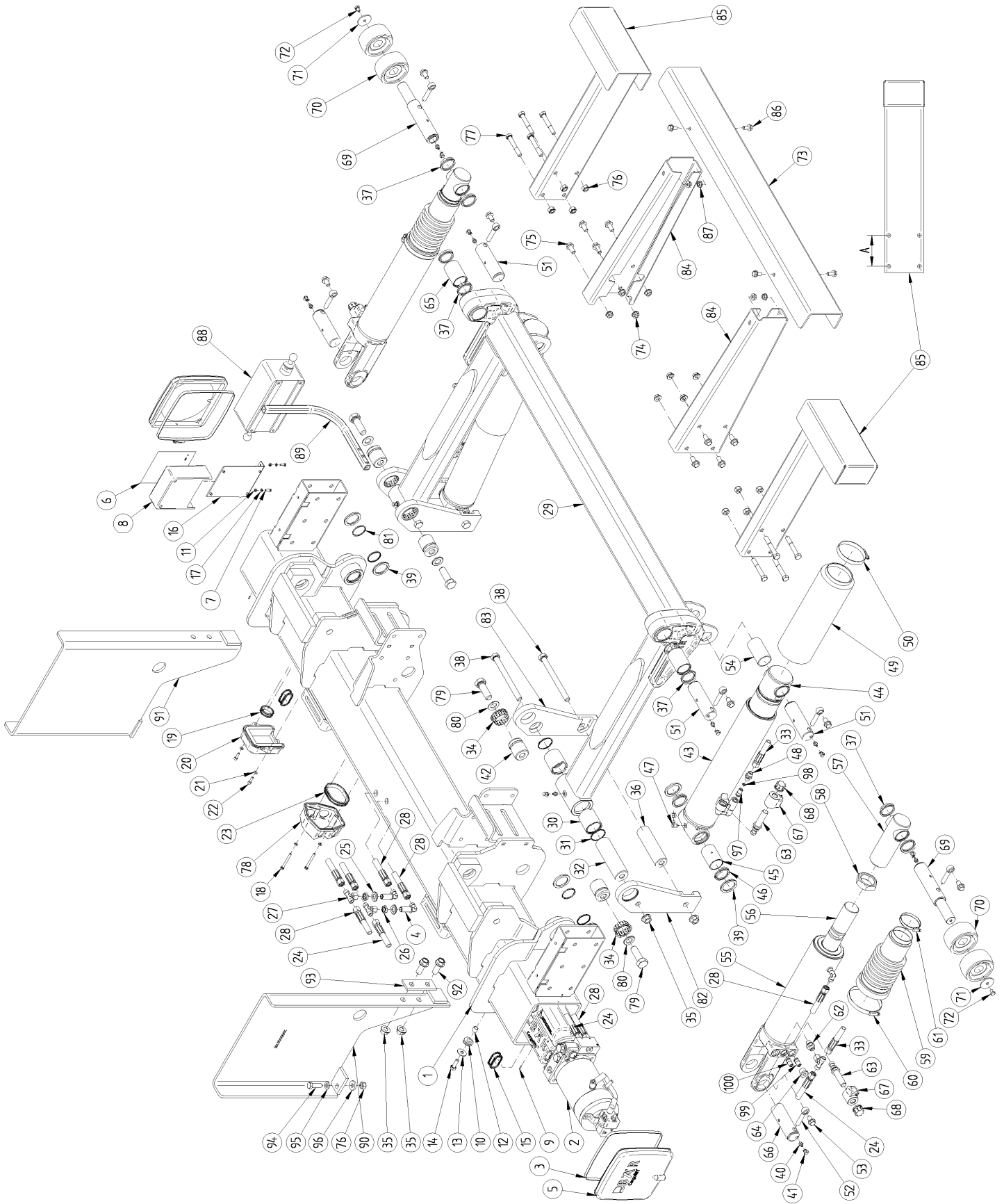
- b) Hubzylinder BS / lifting cylinder kit = 41, 44, 46, 48, 49, 63, 97, 98

- c) Neigzylinder BS / tilting cylinder kit = 56 – 64, 99, 100

- d) Beim Tausch nur mit Maß A = 125 mm lieferbar! Ist Maß A = 95 mm vorhanden, muss das Tragrohr auf Maß A = 125 mm gebohrt werden.

Nachfolger von 01.130442 = 01.137550

With the exchange only with dimension A = 95 mm available! If dimension A = 95 mm is present, the beam has to be drilled according to dimension A = 125 mm. Replacement of 01.130442 = 01.137550

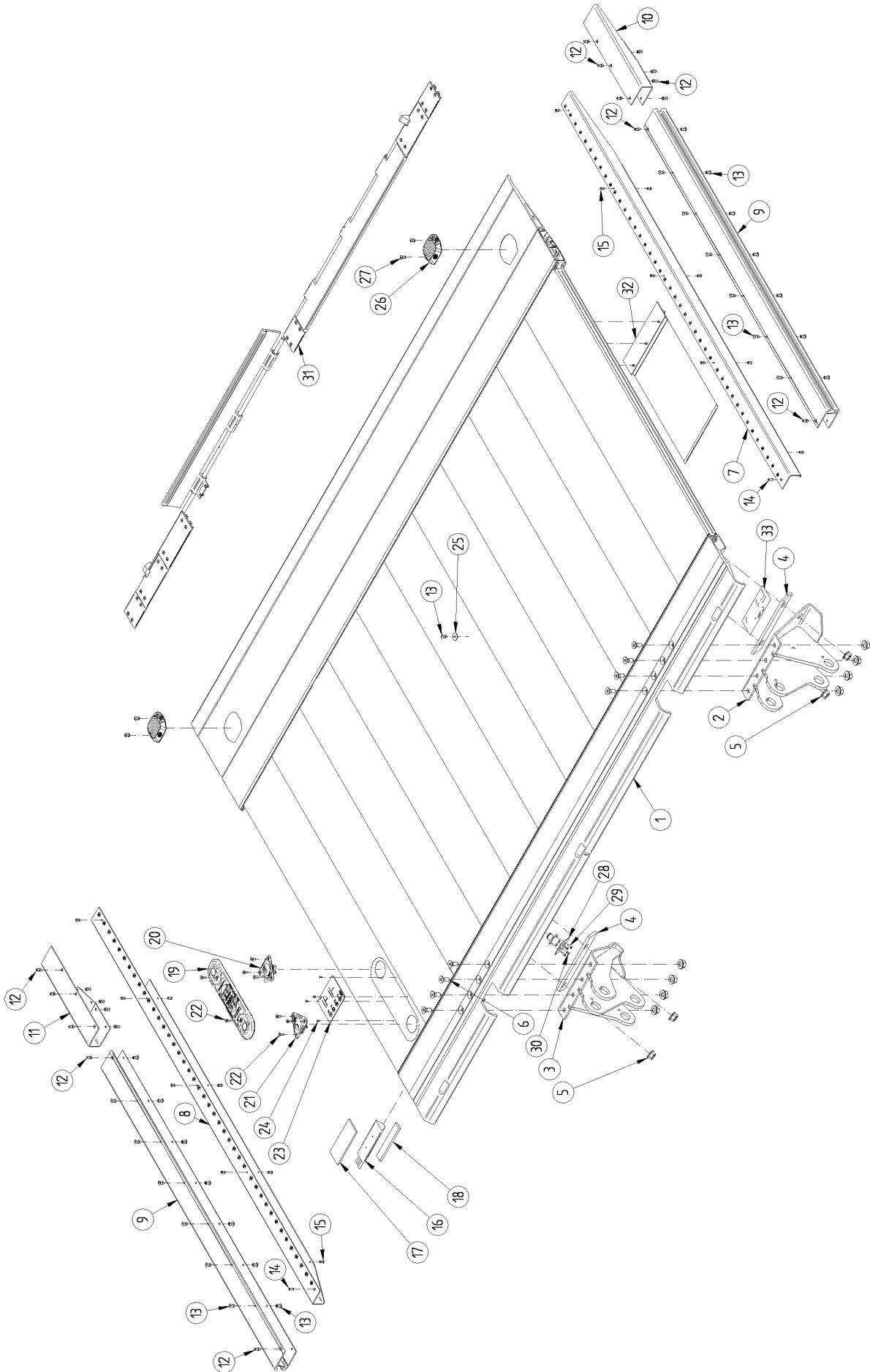


| Pos.<br>ref.     | Benennung                                   | description                                |                       | St.<br>qty. | Art. - Nr.<br>art. - no. |
|------------------|---|--|-----------------------|-------------|--------------------------|
| 57               | Stangenkopf BG                              | cylinder extension kit                     | AI 800 /DZ 90/50-272  | 2           | 01.130734                |
|                  | Stangenkopf BG                              | cylinder extension kit                     | AI 900 /DZ 90/50-272  | 2           | 01.130735                |
|                  | Stangenkopf BG                              | cylinder extension kit                     | AI 1000 /DZ 90/50-272 | 2           | 01.130736                |
| 58               | Kontermutter für Stangenkopf                | lock nut for cylinder extension            | M48 x 2               | 2           | 01.107873                |
| 59               | Faltenbalg                                  | gaiter                                     |                       | 2           | 01.127508                |
| 60               | Schneckenwindeschelle C7/W1                 | jubilee clip C7/W1                         | Torro 100 -120 / 12   | 2           | 01.127742                |
| 61               | Schneckenwindeschelle C6/W1                 | jubilee clip C6/W1                         | Torro 50 - 70 / 9     | 2           | 01.100822                |
| 62               | Einschraubverschraubung gerade - OMD        | pipe fitting straight - OMD                | GE 12 PLR 3/8" ED     | 2           | 01.118981                |
| 63               | Ventileinsatz                               | valve insert                               | 2/2 doppeltgesperrt   | 4           | 01.124863                |
| -                | Dichtsatz                                   | seal kit                                   |                       | 1           | 01.109440                |
| 64               | Verschlußschraube mit Innensechskant        | locking screw with hexagon socket          | VSTI M 20 x 1.5-ED    | 2           | 01.118106                |
| 65               | Lagerbuchse                                 | bearing bush                               | ø40 / ø48 x 70        | 2           | 01.130389                |
| 66               | Bolzen                                      | bolt                                       | ø40 x 128             | 2           | 01.130723                |
| 67               | Magnetspule mit Kabel                       | magnetic coil with cable                   | 24 V 4550 mm          | 3           | 01.124862                |
|                  | Magnetspule mit Kabel                       | magnetic coil with cable                   | 12 V 4550 mm          | 3           | 01.124893                |
| 68               | Hutmutter                                   | cap nut                                    | M18 x 1.5             | 3           | 01.124771                |
| 69               | Bolzen für Bodenrolle m. Schmierbohrung     | bolt for ground roller                     | ø40 x 236             | 2           | 01.131380                |
| 70               | Bodenrolle                                  | ground roller                              | ø100 / ø30.3 x 50     | 4           | 01.125068                |
| 71               | Scheibe - Kotflügelscheibe                  | washer                                     | ø8.4 x ø40 x 3        | 2           | 01.125523                |
| 72               | Sechskantschraube                           | hexagon screw                              | M8 x 12               | 2           | 01.100702                |
| 73               | Unterfahrerschutz Mittelteil                | under run bar middle part                  | 5 x Form              | 1           | 01.133156                |
| 74               | Sicherungsmutter - VERBUS RIPP              | securing nut VERBUS RIPP                   | M12                   | 8           | 01.106394                |
| 75               | Sicherungsschraube - VERBUS RIPP            | securing screw - VERBUS RIPP               | M12 x 25              | 8           | 01.100707                |
| 76               | Sechskantmutter selbstsichernd              | hexagon nut self-locking                   | M12                   | 10          | 01.110185                |
| 77               | Sechskantschraube                           | hexagon screw                              | M12 x 80              | 8           | 01.124719                |
| 78               | Haube für elektrische Schnittstelle         | cover for electric interface               |                       | 1           | 01.123601                |
| 79               | Sechskantschraube                           | hexagon screw                              | M20 x 60              | 4           | 01.132181                |
| 80               | Scheibe Form B                              | washer form B                              | ø21                   | 4           | 01.100749                |
| 81               | Dichtring Y3 4044 P5008                     | seal ring                                  | ø40 / ø44.5 x 2.8     | 4           | 01.126454                |
| 82               | Platte für Gelenkconsole                    | plate for mechanical link                  | links / left          | 2           | 01.130453                |
| 83               | Platte für Gelenkconsole                    | plate for mechanical link                  | rechts / right        | 2           | 01.130454                |
| 84 <sup>d)</sup> | Stütze für UFS-Mittelteil                   | jack leg under run protection              | 4 x Form              | 2           | 01.133157                |
| 85 <sup>d)</sup> | Seitenteil UFS SG                           | side part under run bar                    | 605 lang              | 2           | 01.133154                |
| 86               | Sicherungsschraube - VERBUS RIP             | securing screw - VERBUS RIPP               | M10 x 20              | 4           | 01.100711                |
| 87               | Sicherungsmutter - VERBUS RIPP              | securing nut VERBUS RIPP                   | M10                   | 4           | 01.100735                |
| 88 <sup>e)</sup> | Bedieneinheit „QuickShift rechts“           | control box "QuikShift right"              |                       | 1           | 01.122830                |
|                  | Bedieneinheit „QuickShift links“            | control box "QuikShift left"               |                       | 1           | 01.123863                |
|                  | Bedieneinheit „zusätzlich links“            | control box additional left-hand side      |                       | 1           | 01.123864                |
|                  | Bedieneinheit mit Schlüsselschalter         | control box with key switch                |                       | 1           | 01.123448                |
| 89               | Halter für Bedieneinheit                    | mounting bracket for control box           |                       | 1           | 01.116340                |
| 90               | Aufhängeplatte SG links                     | mounting plate left-hand side              | 450 hoch              | 1           | 01.130768                |
| 91               | Aufhängeplatte SG rechts                    | mounting plate right-hand side             | 450 hoch              | 1           | 01.130769                |
| 92               | Sicherungsschraube - VERBUS RIPP            | securing screw - VERBUS RIPP               | M16 x 40              | 28          | 01.100709                |
| 93               | Druckplatte                                 | pressure plate                             | 40 x 6 x 110          | 2           | 01.118104                |
| 94               | Sechskantschraube                           | hexagon screw                              | M12 x 45              | 2           | 01.116746                |
| 95               | Scheibe Form B                              | washer form B                              | ø13                   | 2           | 01.100743                |
| 96               | Scheibe für Schraube                        | washer                                     | ø13                   | 2           | 01.119308                |
| 97               | Senkbremsventil                             | safety flow restrictor                     |                       | 2           | 01.132157                |
| 98               | Zahnscheibe                                 | gear wheel form A                          |                       | 2           | 01.128523                |
| 99               | Senkbremsventil                             | safety flow restrictor                     | ø 1,6 mm              | 2           | 01.123146                |
| 100              | Senkbremsventil                             | safety flow restrictor                     | ø 2,4 mm              | 2           | 01.123144                |
| - <sup>f)</sup>  | Typenschild Cargolift zur Nachbeschriftung  | type sign to labelling "Cargolift"         | 137 x 57.5 /R.:1.5 mm | 1           | 01.119847                |
| - <sup>f)</sup>  | Typenschild UFS zur Nachbeschriftung        | type sign for labelling under run bar      | 110 x 26 /R.:1.0 mm   | 1           | 01.119848                |
| - <sup>f)</sup>  | Typenschild Serien-Nr. zur Nachbeschriftung | type sign for labelling serial-no.         | 60 x 15 /R.:1.5 mm    | 1           | 01.119849                |
| -                | Hinweisschild "Schmierintervall beachten"   | sign - "consider the lubrication interval" | 110 x 26              | 1           | 01.126412                |
| -                | CE-Plakette                                 | CE-sticker                                 | ø65                   | 1           | 01.103182                |
| -                | Prüfplakette nach UVV/BGV                   | test badge UVV                             | 05 - 06 - 07 - 08     | 1           | 01.101001                |
| -                | Hydrauliköl AVILUB FLUID BC 15              | hydraulic oil AVILUB FLUID BC 15           |                       | 1           | 01.129052                |
| -                | Hydrauliköl biologisch abbaubar             | enviromental friendly hydraulic oil        |                       | 1           | 01.128755                |

-<sup>d)</sup> Beim Tausch nur mit Maß A = 125 mm lieferbar! Ist Maß A = 95 mm vorhanden, muss das Tragrohr auf Maß A = 125 mm gebohrt werden.  
With the exchange only with dimension A = 95 mm available! If dimension A = 95 mm is present, the beam has to be drilled according to dimension A = 125 mm

-<sup>e)</sup> siehe Seite / see page 36

-<sup>f)</sup> Bei Bestellung bitte Seriennummer und Typbezeichnung angeben  
please order with serial number and type specification



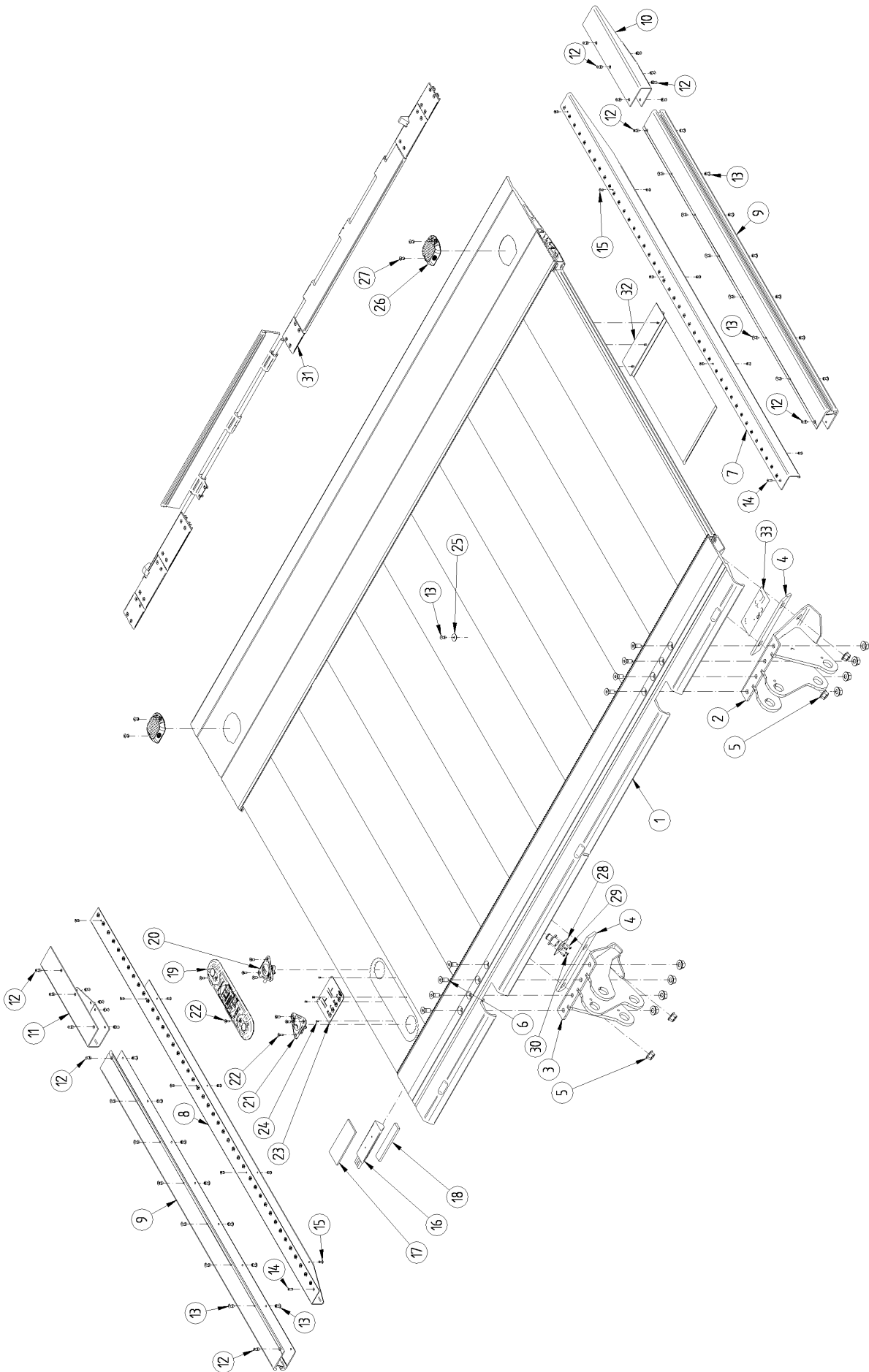
# Plattform / platform

BAplan40VL(L) -B3 / -C3 / -D3

| Pos.<br>ref.     | Benennung                               | description                                 |                 | St.<br>qty. | Art.-Nr. / art.- no. |           |           |
|------------------|---|---|-----------------|-------------|----------------------|-----------|-----------|
|                  |   |   |                 |             | S4 -B3               | S4 -C3    | S4A-D3    |
| 1                | Plattform: BAplan40VLL-S4 -B3           |   |                 | 1           | E9.9xxxxx            | -         | -         |
|                  | Plattform: BAplan40VL -S4 -B3           |   |                 | 1           | E8.9xxxxx            | -         | -         |
|                  | Plattform: BAplan40VL-S4-C3             |   |                 | 1           | -                    | E6.9xxxxx | -         |
|                  | Plattform: BAplan40VL -S4 -D3           |   |                 | 1           | -                    | -         | F7.9xxxxx |
| 2                | Anschlußkopf SG links                   | platform pivot mechanism left-hand side     |                 | 1           | 01.136674            | -         | -         |
|                  | Anschlußkopf SG links                   | platform pivot mechanism left-hand side     |                 | 1           | -                    | 01.136788 | -         |
|                  | Anschlußkopf SG links                   | platform pivot mechanism left-hand side     |                 | 1           | -                    | -         | 01.137081 |
| 3                | Anschlußkopf SG rechts                  | platform pivot mechanism right-hand side    |                 | 1           | 01.136673            | -         | -         |
|                  | Anschlußkopf SG rechts                  | platform pivot mechanism right-hand side    |                 | 1           | -                    | 01.136789 | -         |
|                  | Anschlußkopf SG rechts                  | platform pivot mechanism right-hand side    |                 | 1           | -                    | -         | 01.137080 |
| 4                | Unterlage für Anschlußkopf              | supporting for platform pivot mechanism     | 50 x 8 x 248    | 2           | 01.132156            | -         | -         |
|                  | Unterlage für Anschlußkopf              | supporting for platform pivot mechanism     | 50 x 8 x 255    | 2           | -                    | 01.130701 | 01.130701 |
| 5                | Rippmutter                              | securing nut VERBUS RIPP                    | M16             | 12          | 01.100736            | 01.100736 | 01.100736 |
| 6                | Senkschraube mit Innensechskant         | hexagon socket countersunk head screw       | M12 x 30        | 8           | 01.119355            | 01.119355 | 01.119355 |
| 7 <sup>a)</sup>  | RAP links SideGrip BAplan40VL(L)        | platform edging left SideGrip               | 2.5 x 1508      | 1           | 01.133225            | 01.133225 | 01.133225 |
|                  | RAP links SideGrip BAplan40VL(L)        | platform edging left SideGrip               | 2.5 x 1708      | 1           | 01.133229            | 01.133229 | 01.133229 |
|                  | RAP links SideGrip BAplan40VL(L)        | platform edging left SideGrip               | 2.5 x 2008      | 1           | 01.133235            | 01.133235 | 01.133235 |
|                  | RAP links SideGrip BAplan40VL(L)        | platform edging left SideGrip               | 2.5 x 2208      | 1           | 01.133239            | 01.133239 | 01.133239 |
|                  | RAP links SideGrip BAplan40VL(L)        | platform edging left SideGrip               | 2.5 x 2408      | 1           | 01.133243            | 01.133243 | 01.133243 |
|                  | RAP links SideGrip BAplan40VL(L)        | platform edging left SideGrip               | 2.5 x 2708      | 1           | 01.133249            | 01.133249 | 01.133249 |
| 8 <sup>a)</sup>  | RAP rechts SideGrip BAplan40VL(L)       | platform edging right SideGrip              | 2.5 x 1508      | 1           | 01.133195            | 01.133195 | 01.133195 |
|                  | RAP rechts SideGrip BAplan40VL(L)       | platform edging right SideGrip              | 2.5 x 1708      | 1           | 01.133199            | 01.133199 | 01.133199 |
|                  | RAP rechts SideGrip BAplan40VL(L)       | platform edging right SideGrip              | 2.5 x 2008      | 1           | 01.133205            | 01.133205 | 01.133205 |
|                  | RAP rechts SideGrip BAplan40VL(L)       | platform edging right SideGrip              | 2.5 x 2208      | 1           | 01.133209            | 01.133209 | 01.133209 |
|                  | RAP rechts SideGrip BAplan40VL(L)       | platform edging right SideGrip              | 2.5 x 2408      | 1           | 01.133213            | 01.133213 | 01.133213 |
|                  | RAP rechts SideGrip BAplan40VL(L)       | platform edging right SideGrip              | 2.5 x 2708      | 1           | 01.133219            | 01.133219 | 01.133219 |
| 9 <sup>a)</sup>  | RAP40-85VLS-re/li                       | platform edgin for side loading ramp right  | 980 mm          | 2           | 01.132367            | 01.132367 | 01.132367 |
|                  | RAP40-85VLS-re/li                       | platform edgin for side loading ramp right  | 1030 mm         | 2           | 01.132368            | 01.132368 | 01.132368 |
|                  | RAP40-85VLS-re/li                       | platform edgin for side loading ramp right  | 1080 mm         | 2           | 01.132369            | 01.132369 | 01.132369 |
|                  | RAP40-85VLS-re/li                       | platform edgin for side loading ramp right  | 1130 mm         | 2           | 01.132371            | 01.132371 | 01.132371 |
|                  | RAP40-85VLS-re/li                       | platform edgin for side loading ramp right  | 1180 mm         | 1           | 01.132371            | 01.132371 | 01.132371 |
|                  | RAP40-85VLS-re/li                       | platform edgin for side loading ramp right  | 1230 mm         | 2           | 01.132372            | 01.132372 | 01.132372 |
|                  | RAP40-85VLS-re/li                       | platform edgin for side loading ramp right  | 1280 mm         | 2           | 01.132373            | 01.132373 | 01.132373 |
|                  | RAP40-85VLS-re/li                       | platform edgin for side loading ramp right  | 1330 mm         | 2           | 01.132374            | 01.132374 | 01.132374 |
|                  | RAP40-85VLS-re/li                       | platform edgin for side loading ramp right  | 1380 mm         | 2           | 01.132375            | 01.132375 | 01.132375 |
|                  | RAP40-85VLS-re/li                       | platform edgin for side loading ramp right  | 1430 mm         | 2           | 01.132376            | 01.132376 | 01.132376 |
|                  | RAP40-85VLS-re/li                       | platform edgin for side loading ramp right  | 1480 mm         | 2           | 01.132377            | 01.132377 | 01.132377 |
|                  | RAP40-85VLS-re/li                       | platform edgin for side loading ramp right  | 1530 mm         | 2           | 01.132378            | 01.132378 | 01.132378 |
|                  | RAP40-85VLS-re/li                       | platform edgin for side loading ramp right  | 1580 mm         | 2           | 01.132379            | 01.132379 | 01.132379 |
|                  | RAP40-85VLS-re/li                       | platform edgin for side loading ramp right  | 1630 mm         | 2           | 01.132380            | 01.132380 | 01.132380 |
|                  | RAP40-85VLS-re/li                       | platform edgin for side loading ramp right  | 1680 mm         | 2           | 01.132381            | 01.132381 | 01.132381 |
|                  | RAP40-85VLS-re/li                       | platform edgin for side loading ramp right  | 1730 mm         | 2           | 01.132382            | 01.132382 | 01.132382 |
|                  | RAP40-85VLS-re/li                       | platform edgin for side loading ramp right  | 1780 mm         | 2           | 01.132383            | 01.132383 | 01.132383 |
|                  | RAP40-85VLS-re/li                       | platform edgin for side loading ramp right  | 1830 mm         | 2           | 01.132384            | 01.132384 | 01.132384 |
|                  | RAP40-85VLS-re/li                       | platform edgin for side loading ramp right  | 1880 mm         | 2           | 01.132385            | 01.132385 | 01.132385 |
|                  | RAP40-85VLS-re/li                       | platform edgin for side loading ramp right  | 1930 mm         | 2           | 01.132386            | 01.132386 | 01.132386 |
|                  | RAP40-85VLS-re/li                       | platform edgin for side loading ramp right  | 1980 mm         | 2           | 01.132387            | 01.132387 | 01.132387 |
|                  | RAP40-85VLS-re/li                       | platform edgin for side loading ramp right  | 2030 mm         | 2           | 01.132388            | 01.132388 | 01.132388 |
| 10 <sup>a)</sup> | RAP Spitze links für Verladeschiene     | platform capping left for side loading ramp | 377 mm          | 1           | 01.132416            | 01.132416 | 01.132416 |
| 11 <sup>a)</sup> | RAP Spitze rechts für Verladeschiene    | platform capping left for side loading ramp | 377 mm          | 1           | 01.132415            | 01.132415 | 01.132415 |
| 12               | Blindniet - Monobolt Senkkopf           | blind rivet - Monobolt countersunk          | ø6.5 x 16.9.    | 18          | 01.105440            | 01.105440 | 01.105440 |
| 13               | Blindniet - Monobolt Flachrundkopf      | blind rivet - Monobolt flat round head      | ø6.5 x 14.2     | 27          | 01.100796            | 01.100796 | 01.100796 |
| 14               | Blindniet Senkkopf                      | blind rivet countersunk                     | ø5 x 16         | 2           | 01.130784            | 01.130784 | 01.130784 |
| 15               | Blindniet Flachkopf                     | blind rivet flat head                       | ø5 x 12         | 16          | 01.100784            | 01.100784 | 01.100784 |
| 16               | Fußschalterelektronik BG                | foot control electronic kit                 |                 | 1           | 01.131116            | 01.131116 | 01.131116 |
| 17               | Moosgummi                               | rubber sponge Mapa-Flex                     | 60 x 5          | 1           | 01.132687            | 01.132687 | 01.132687 |
| 18               | Moosgummi                               | rubber sponge 25 x 8 Mapa-Flex              | 25 x 8          | 1           | 01.101106            | 01.101106 | 01.101106 |
| 19               | Fußschalter BG (Bär Fußschaltereinheit) | foot control kit Bär                        |                 | 1           | 01.133641            | 01.133641 | 01.133641 |
| 20               | Fußschalter dreieck "H" BG              | foot control triangle "H" kit               |                 | 1           | 1.123.952            | 1.123.952 | 1.123.952 |
| 21               | Fußschalter dreieck "S" BG              | foot control triangle "S" kit               |                 | 1           | 01.123953            | 01.123953 | 01.123953 |
| 22               | Senkschraube mit Innensechskant         | hexagon socket countersunk head screw       | M6 x 16         | 8           | 01.116898            | 01.116898 | 01.116898 |
| 23               | Bedienschild 2-Knopf-Fußsteuerung       | operating sign 2 button - foot control      | 100 x 120 x 0.8 | 1           | 1.112.982            | 1.112.982 | 1.112.982 |
| 24               | Blindniet Flachkopf                     | blind rivet flat head                       | ø3 x 8          | 4           | 1.100.786            | 1.100.786 | 1.100.786 |
| 25               | Scheibe - gestanz                       | washer                                      | ø6.5 / ø25 x 2  | 1           | 01.120326            | 01.120326 | 01.120326 |

-<sup>a)</sup> RAP = Randabschlussprofil / platform edgin  
VLS = Verladeschiene / side loading ramp

Bei Bestellung bitte Seriennummer und Typbezeichnung angeben  
please order with serial number and type specification

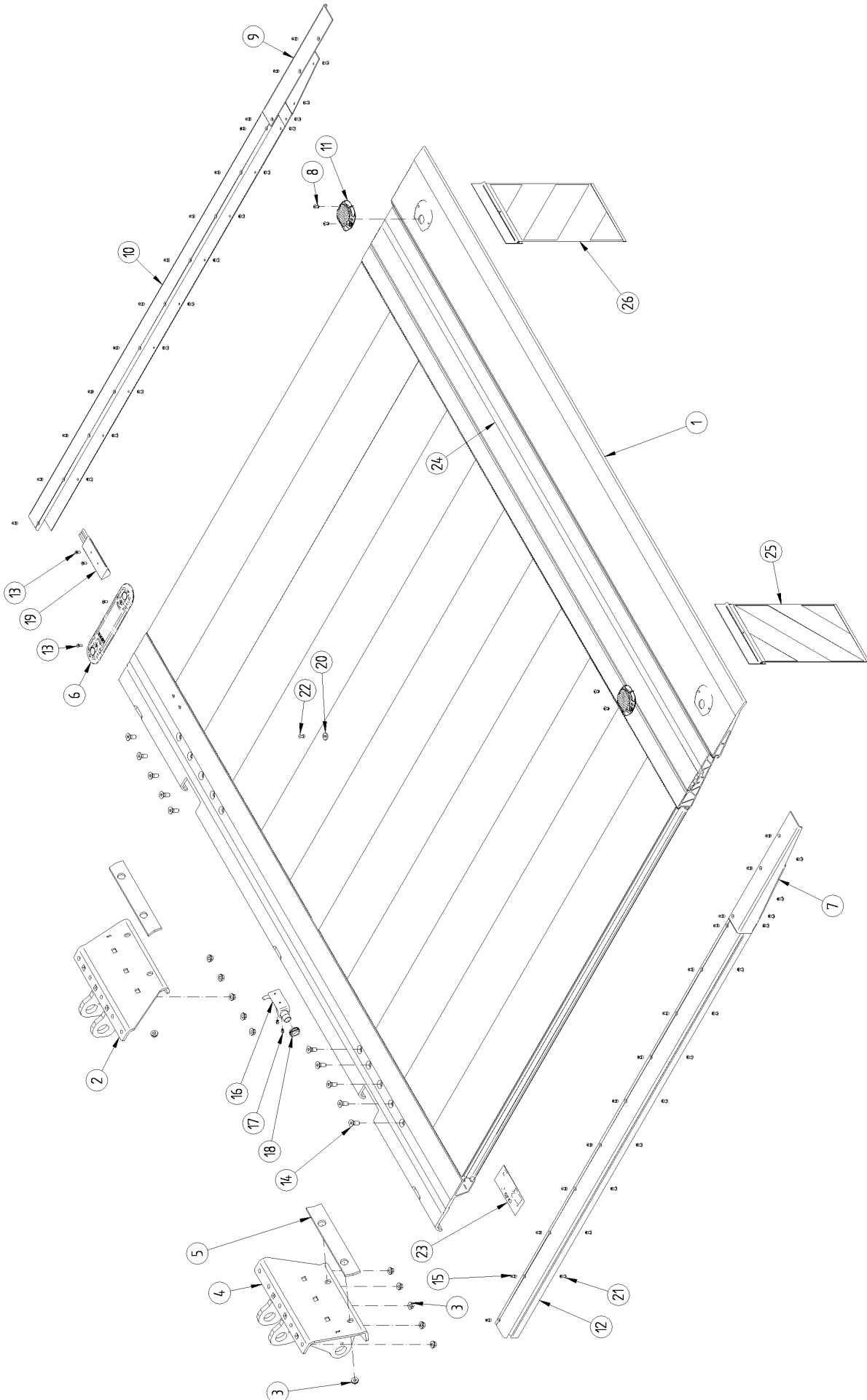




# Plattform / platform

BAplan40VL(L) -B3 / -C3 / -D3

| Pos.<br>ref. | Benennung                            | description                        | St.<br>qty.         | Art.-Nr. / art.- no. |           |           |           |
|--------------|--------------------------------------|------------------------------------|---------------------|----------------------|-----------|-----------|-----------|
|              |                                      |                                    |                     | S4 -B3               | S4 -C3    | S4A-D3    |           |
| 26           | Blinkleuchte "CargoFlash"            | flashing lights Hella "CargoFlash" | 24 V                | 2                    | 01.129116 | 01.129116 | 01.129116 |
|              | Blinkleuchte "CargoFlash"            | flashing lights "CargoFlash"       | 12 V                | 2                    | 01.129115 | 01.129115 | 01.129115 |
| 27           | Blindniet Hemlok Flachrundkopf       | blind rivet Hemlok flat round head | ø6.5 x 20.3         | 4                    | 01.131159 | 01.131159 | 01.131159 |
| 28           | Deckel für Kabelstecker              | cover for cable plug               | 52 x 52 x 1         | 1                    | 01.127876 | 01.127876 | 01.127876 |
| 29           | Linsen-Blechschrabe                  | cross recessed raised screw        | C 4.2 x 16          | 2                    | 01.119730 | 01.119730 | 01.119730 |
| 30           | Blindniet Flachkopf                  | blind rivet flat head              | ø4 x 12             | 2                    | 01.124943 | 01.124943 | 01.124943 |
| 31           | Abrollsicherung BS 2Ax               | trolley stop kit 2Ax               | 800 mm/ Abstand 90  | 1                    | 01.134570 | 01.134570 | 01.134570 |
|              | Abrollsicherung BS 2Rx               | trolley stop kit 2Rx               | 745 mm/ Abstand 150 | 1                    | 01.134572 | 01.134572 | 01.134572 |
|              | Abrollsicherung BS 3Rx               | trolley stop kit 3Rx               | 745 mm/ Abstand 0   | 1                    | 01.134577 | 01.134577 | 01.134577 |
|              | Abrollsicherung BS 2ad               | trolley stop kit 2ad               | 750 mm/ Abstand 180 | 1                    | 01.131934 | 01.131934 | 01.131934 |
|              | Abrollsicherung BS 2ad               | trolley stop kit 2ad               | 850 mm/ Abstand 280 | 1                    | 01.131933 | 01.131933 | 01.131933 |
|              | Abrollsicherung BS 2rd               | trolley stop 2rd                   | 750 mm/ Abstand 180 | 1                    | 01.134138 | 01.134138 | 01.134138 |
|              | Abrollsicherung BS 2rd               | trolley stop 2rd                   | 850 mm/ Abstand 280 | 1                    | 01.134135 | 01.134135 | 01.134135 |
| 32           | Warnmarkierung - Satz mit Alu-Halter | warning flag - set with alu holder |                     | 2                    | 01.111585 | 01.111585 | 01.111585 |
|              | Warnmarkierung "blau - weiß"         | warning flag - set "blue - white"  |                     | 1                    | 01.128812 | 01.128812 | 01.128812 |
| 33           | Firmenschild "Bär Cargolift"         | signboard Bär Cargolift            |                     | 1                    | 01.123552 | 01.123552 | 01.123552 |



# Plattform / platform

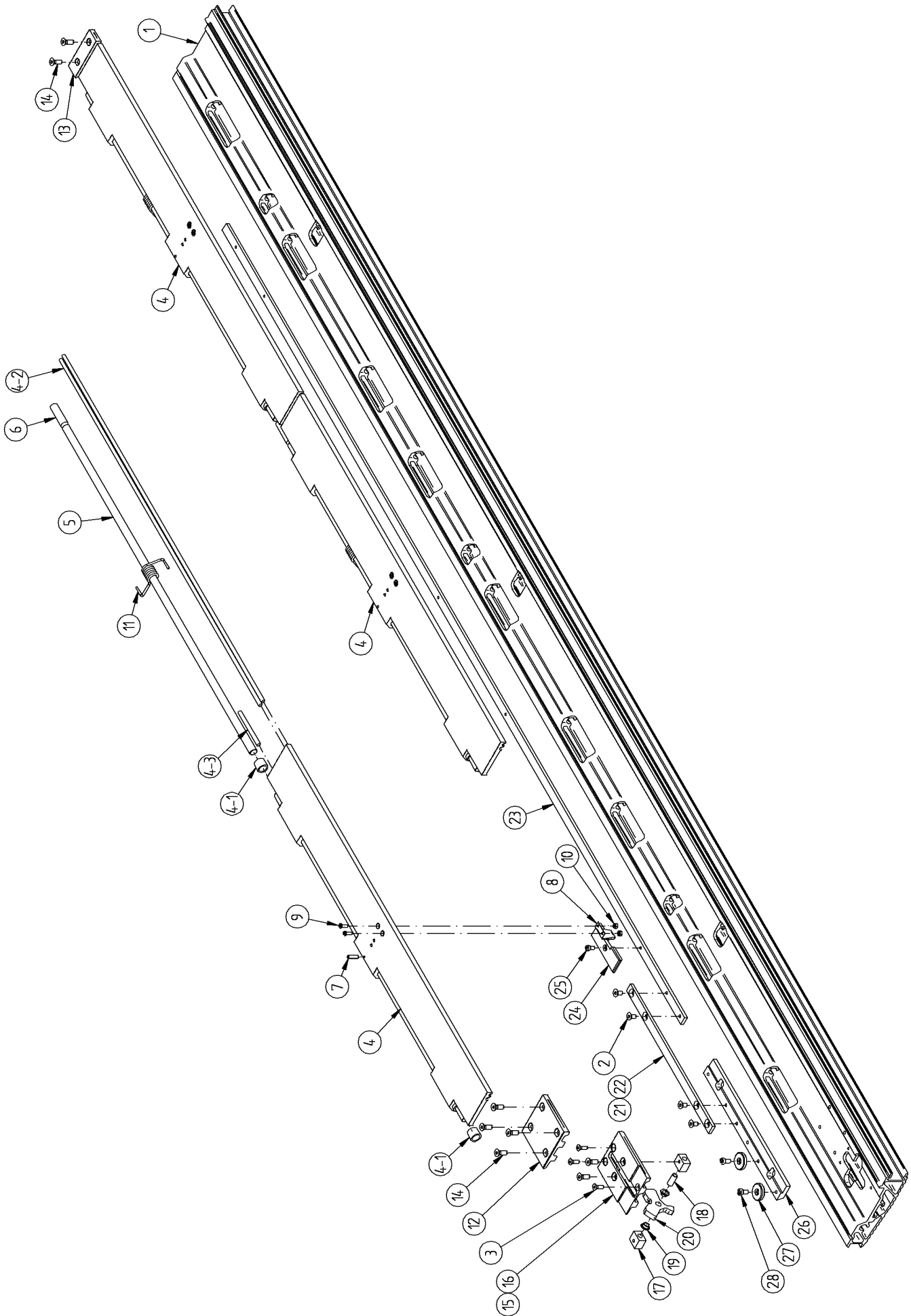
BAplan50VL –S3

| Pos.<br>ref.     | Benennung                               | description                                    |                     | St.<br>qty. | Art. - Nr.<br>art. - no. |
|------------------|---|--|---------------------|-------------|--------------------------|
| 1                | Plattform: BAplan50VL-S4-S3             | platform: BAplan50VL-S                         |                     | 1           | C7.9xxxxx                |
|                  | Plattform: BAplan50VL -S4 -C3           | platform BAplan50VL -S4 -C3                    |                     | 1           | F6.9xxxxx                |
|                  | Plattform: BAplan50VL -S4 -D3           | platform BAplan50VL -S4 -D3                    |                     | 1           | F8.9xxxxx                |
| 2                | Anschlußkopf SG rechts                  | platform pivot mechanism right-hand side       |                     | 1           | 01.130691                |
|                  | Anschlußkopf SG rechts                  | platform pivot mechanism right-hand side       |                     | 1           | 01.136789                |
|                  | Anschlußkopf SG rechts                  | platform pivot mechanism right-hand side       |                     | 1           | 01.137080                |
| 3                | Rippmutter                              | securing nut VERBUS RIPP                       | M12                 | 14          | 01.106394                |
| 4                | Anschlußkopf SG links                   | platform pivot mechanism left-hand side        |                     | 1           | 01.130692                |
|                  | Anschlußkopf SG links                   | platform pivot mechanism left-hand side        |                     | 1           | 01.136788                |
|                  | Anschlußkopf SG links                   | platform pivot mechanism left-hand side        |                     | 1           | 01.137081                |
| 5                | Unterlage für Anschlußkopf              | supporting for platform pivot mechanism        | 50 x 8 x 310        | 2           | 01.130685                |
|                  | Unterlage für Anschlußkopf              | supporting for platform pivot mechanism        | 50 x 8 x 255        | 2           | 01.130701                |
| 6 <sup>a)</sup>  | Fußschalter BG (Bär Fußschaltereinheit) | foot control kit Bär                           |                     | 1           | 01.133641                |
|                  | Fußschalter dreieck "H" BG              | foot control triangle "H" kit                  |                     | 1           | 01.123952                |
|                  | Fußschalter dreieck "S" BG              | foot control triangle "S" kit                  |                     | 1           | 01.123953                |
|                  | Bedienschild 2-Knopf-Fußsteuerung       | operating sign 2 button - foot control         | 100 x 120 x 0.8     | 1           | 01.112982                |
|                  | Blindniet Flachkopf                     | blind rivet flat head                          | ø3 x 8              | 4           | 01.100786                |
| 7                | RAP Spitze links für Verladeschiene     | platform capping left for side loading ramp    | 480 mm              | 1           | 01.130955                |
| 8                | Blindniet Hemlok Flachrundkopf          | blind rivet Hemlok flat round head             | ø6.5 x 20.3         | 4           | 01.131159                |
| 9 <sup>b)</sup>  | RAP Spitze rechts für Verladeschiene    | platform capping right for side loading ramp   | 480 mm              | 1           | 01.130954                |
| 10 <sup>b)</sup> | RAP50-85VLS-re + li                     | platform edgin for side loading ramp right     | 1627 mm             | 1           | 01.130966                |
|                  | RAP50-85VLS-re + li                     | platform edgin for side loading ramp left      | 1827 mm             | 1           | 01.130970                |
|                  | RAP50-85VLS-re + li                     | platform edgin for side loading ramp left      | 2027 mm             | 1           | 01.130974                |
|                  | RAP50-85VLS-re + li                     | platform edgin for side loading ramp right     | 2227 mm             | 1           | 01.130978                |
|                  | RAP50-85VLS-re + li                     | platform edgin for side loading ramp left      | 2427 mm             | 1           | 01.130982                |
| 11               | Blinkleuchte Hella "CargoFlash"         | flashing lights Hella with diodes "CargoFlash" | 24 V                | 2           | 01.129116                |
|                  | Blinkleuchte Hella "CargoFlash"         | flashing lights Hella with diodes "CargoFlash" | 12 V                | 2           | 01.129115                |
| 12 <sup>b)</sup> | RAP50-85VLS-re + li                     | platform edgin for side loading ramp right     | 1627 mm             | 1           | 01.130966                |
|                  | RAP50-85VLS-re + li                     | platform edgin for side loading ramp left      | 1827 mm             | 1           | 01.130970                |
|                  | RAP50-85VLS-re + li                     | platform edgin for side loading ramp left      | 2027 mm             | 1           | 01.130974                |
|                  | RAP50-85VLS-re + li                     | platform edgin for side loading ramp right     | 2227 mm             | 1           | 01.130978                |
|                  | RAP50-85VLS-re + li                     | platform edgin for side loading ramp left      | 2427 mm             | 1           | 01.130982                |
| 13               | Senkschraube mit Innensechskant         | hexagon socket countersunk head screw          | M6 x 16             | 4           | 01.116898                |
| 14               | Senkschraube mit Innensechskant         | hexagon socket countersunk head screw          | M12 x 30            | 10          | 01.119355                |
| 15               | Blindniet - Monobolt Senkkopf           | blind rivet - Monobolt countersunk             | ø6.5 x 16.9.        | 26          | 01.105440                |
| 16               | Halter für Steckkupplung                | mounting bracket for plug-in coupling          | 80 x 35 x 40 x 2    | 1           | 01.123849                |
| 17               | Blindniet Flachkopf                     | blind rivet flat head                          | ø5 x 12             | 2           | 01.100784                |
| 18               | Mutter für Steckdosengehäuse            | nut for socket housing                         |                     | 1           | 01.122863                |
| 19 <sup>a)</sup> | Fußschalterelektronik BG                | foot control electronic kit                    |                     | 1           | 01.131116                |
| 20               | Scheibe - gestanzt                      | washer   | ø6.5 / ø25 x 2      | 1           | 01.120326                |
| 21               | Blindniet - Monobolt Flachrundkopf      | blind rivet - Monobolt flat round head         | ø6.5 x 19.3         | 25          | 01.104125                |
| 22               | Blindniet - Monobolt Flachrundkopf      | blind rivet - Monobolt flat round head         | ø6.5 x 14.2         | 1           | 01.100796                |
| 23               | Firmenschild "Bär Cargolift"            | signboard Bär Cargolift                        | 163 x 65            | 1           | 01.123552                |
| 24 <sup>c)</sup> | Abrollsicberung BS 2Ax                  | trolley stop kit 2Ax                           | 800 mm/ Abstand 90  | 1           | 01.134570                |
|                  | Abrollsicberung BS 3Rx                  | trolley stop kit 3Rx                           | 745 mm/ Abstand 0   | 1           | 01.134577                |
|                  | Abrollsicberung BS 2Rx                  | trolley stop kit 2Rx                           | 745 mm/ Abstand 150 | 1           | 01.134572                |
|                  | Abrollsicberung 2RX BG - Rechtsverkehr  | trolley stop 2RX unit - right-hand traffic     |                     | 1           | 01.124556                |
|                  | Abrollsicberung 2RX BG - Linksverkehr   | trolley stop 2RX - left-hand traffic           |                     | 1           | 01.124557                |
|                  | Abrollsicberung 3RX BG - Rechtsverkehr  | trolley stop 3RX unit - right-hand traffic     |                     | 1           | 01.124559                |
|                  | Abrollsicberung 3RX BG - Linksverkehr   | trolley stop 3RX unit - left-hand traffic      |                     | 1           | 01.124558                |
| 25               | Warnmarkierung - Satz mit Alu-Halter    | warning flag - set with alu holder             |                     | 1           | 01.111585                |
| 26               | Warnmarkierung "blau - weiß"            | warning flag - set "blue - white"              |                     | 1           | 01.128812                |

-<sup>a)</sup> siehe Seite 34  
see page 34

-<sup>b)</sup> RAP = Randabschlussprofil Bei Bestellung bitte Seriennummer und Typbezeichnung angeben  
VLS = Verladeschiene please order with serial number and type specification

-<sup>c)</sup> siehe Seite 20  
see page 20



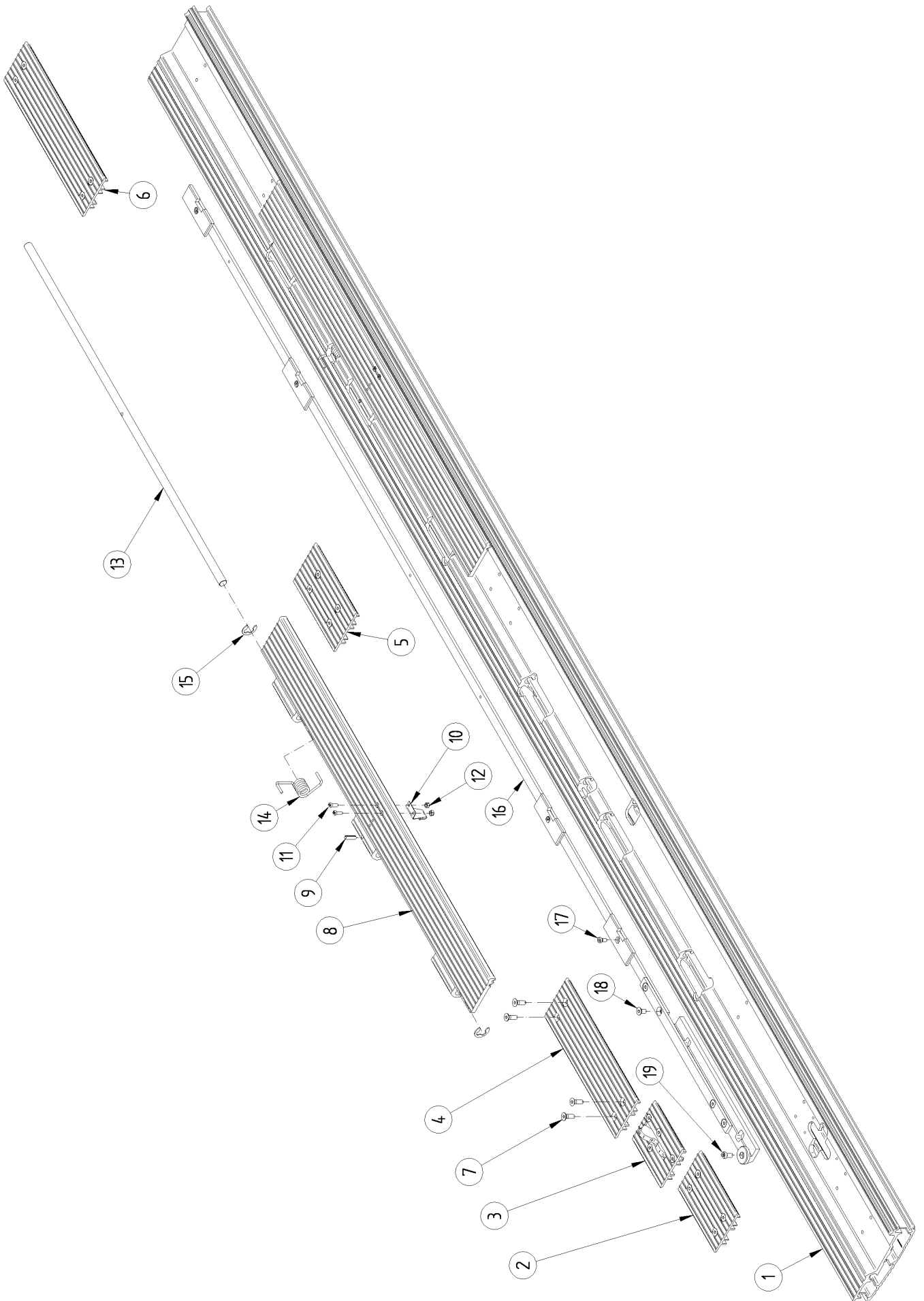
# Abrollsicherung / trolley stop

## 2RX / 3RX

| Pos.<br>ref.     | Benennung                               | description                       |                | St.  |     | Art. - Nr. / art. - no. |           |
|------------------|---|-----------------------------------|----------------|------|-----|-------------------------|-----------|
|                  |   |                                   |                | qty. |     | 2RX                     | 3RX       |
|                  |   |                                   |                | 2RX  | 3RX | 2RX                     | 3RX       |
| 1                | Abrollsicherung 2Rx BG - rechts         | trolley stop 2Rx unit - right     |                | 1    | 1   | 01.124556               | -         |
|                  | Abrollsicherung 2Rx BG - links          | trolley stop 2Rx - left           |                | 1    | 1   | 01.124557               | -         |
|                  | Abrollsicherung 3Rx BG - rechts         | trolley stop 3Rx unit - right     |                | 1    | 1   | 01.124559               | 01.124559 |
|                  | Abrollsicherung 3Rx BG - links          | trolley stop 3Rx unit - left      |                | 1    | 1   | 01.124558               | 01.124558 |
| 2                | Senkschraube mit Innensechskant         | countersunk head screw            | M6x12          | 4    | 6   | 01.100666               | 01.100666 |
| 3                | Senkschraube mit Innensechskant         | countersunk head screw            | M5x16          | 2    | 3   | 01.117069               | 01.117069 |
| 4                | Klappe BG für Abrosi R                  | flap kit for trolley stop R       |                | 2    | 3   | 01.117027               | 01.117027 |
| 4-1              | Distanzbuchse                           | spacer bush                       | ø17/ 12.5 x 14 | 2    | 2   | 01.110226               | 01.110226 |
| 4-2              | Rundschnur                              | rubber seal                       |                | 2    | 2   | -                       | -         |
| 4-3              | Rundschnur                              | rubber seal                       | ø6 x 70        | 2    | 2   | 01.110285               | 01.110285 |
| 5                | Welle für Abrollsicherung               | shaft for trolley stop            | ø12 x 696      | 2    | 3   | 01.110220               | 01.110220 |
| 6                | Distanzstück                            | spacer                            | ø 12 x 40      | 1    | 2   | 01.131929               | 01.131929 |
| 7                | Spannstift                              | split pin                         | ø5 x 18        | 2    | 3   | 01.117080               | 01.117080 |
| 8                | Blattfeder für Abrollsicherung RX       | leaf spring for trolley stop RX   |                | 2    | 3   | 01.125791               | 01.125791 |
| 9                | Zylinderschraube mit Innensechsrund     | hexagon socket head cap screw     | M4 x 12        | 4    | 6   | 01.125700               | 01.125700 |
| 10               | Sechskantmutter selbstsichernd          | nut self securing form V 8        | M4             | 4    | 6   | 01.102316               | 01.102316 |
| 11               | Schenkelfeder                           | leg spring                        |                | 2    | 3   | 01.110222               | 01.110222 |
| 12               | Füllstück entsteht aus PML-Nr. 3399-0-4 | distance                          | 80 mm          | 1    | 1   | 01.124585               | 01.124585 |
| 13               | Füllstück entsteht aus PML Nr. 40438    | distance                          | 25             | 1    | 2   | 01.118809               | 01.118809 |
|                  | Füllstück                               | distance plate                    | 140            | 1    | 1   | 01.118810               | -         |
|                  | Füllstück entsteht aus PML-Nr. 3401-0-3 | distance                          | 500            | 1    | 1   | 01.124587               | -         |
|                  | Füllstück entsteht aus PML Nr. 3482-0-4 | distance plate                    | 150 mm         | 1    | 1   | 01.124586               | -         |
| 14               | Senkschraube mit Innensechskant         | countersunk head screw            | M6 x 18        | 6    | 6   | 01.124581               | 01.124581 |
| 15 <sup>a)</sup> | Abrollsicherung - Entriegelung BG       | trolley stop lock-out release kit | rechts / right | 1    | 1   | 01.131268               | 01.131268 |
|                  | Abrollsicherung - Entriegelung BG       | trolley stop lock-out release kit | links / left   | 1    | 1   | 01.131269               | 01.131269 |
| 16               | Füllstück Entriegelung für Abrosi Rx    | distance plate lock-out release   | rechts / right | 1    | 1   | 01.119303               | 01.119303 |
|                  | Füllstück Entriegelung für Abrosi Rx    | distance plate lock-out release   | links / left   | 1    | 1   | 01.119304               | 01.119304 |
| 17               | Lager                                   | bearing                           | 20 x 13 x 17   | 2    | 2   | 01.116548               | 01.116548 |
| 18               | Zylinderstift                           | parallel pin                      | ø8m6 x 20      | 1    | 1   | 01.117066               | 01.117066 |
| 19               | Gleitlager Form F                       | sliding bearing form F            | ø8/ø10xø14x5   | 2    | 2   | 01.117063               | 01.117063 |
| 20               | Hebel                                   | lever                             | 8 x Form       | 1    | 1   | 01.126363               | 01.126363 |
| 21 <sup>b)</sup> | Raste BG 3Rx Rechtsverkehr              | slot kit 3Rx right-hand-traffic   |                | 1    | 1   | -                       | 01.125133 |
|                  | Raste BG 3Rx Linksverkehr               | slot kit 3Rx left-hand-traffic    |                | 1    | 1   | -                       | 01.125134 |
|                  | Raste BG 2Rx Rechtsverkehr              | slot kit 2Rx right-hand-traffic   |                | 1    | 1   | 01.125138               | -         |
|                  | Raste BG 2Rx Linksverkehr               | slot kit 2Rx left-hand-traffic    |                | 1    | 1   | 01.125139               | -         |
| 22               | Distanzstück                            | spacer                            | 15 x 5 x 305   | 1    | 1   | 01.126362               | 01.126362 |
| 23               | Leiste mit Bohrungen                    | plate with drill holes            | 15 x 5 x 1700  | 1    | 2   | 01.125144               | 01.125144 |
| 24               | Raste                                   | slot                              | 26.6x 5.8x80   | 2    | 3   | 01.125140               | 01.125140 |
| 25               | Zylinderschraube mit Innensechskant     | hexagon socket head cap screw     | M5x10          | 3    | 4   | 01.126368               | 01.126368 |
| 26               | Mitnehmer                               | driver                            | 30 x 10 x 272  | 1    | 1   | 01.123803               | 01.123803 |
| 27               | Führungsstück                           | guidance piece                    | ø26.6 x 5.8    | 2    | 2   | 01.123802               | 01.123802 |
| 28               | Zylinderschraube mit Innenskant         | head cap screw flat               | M6 x 12        | 2    | 2   | 01.124583               | 01.124583 |

a) Entriegelung BG = Pos. 14, 16 - 20  
lock-out release kit = pos. 14, 16 - 20

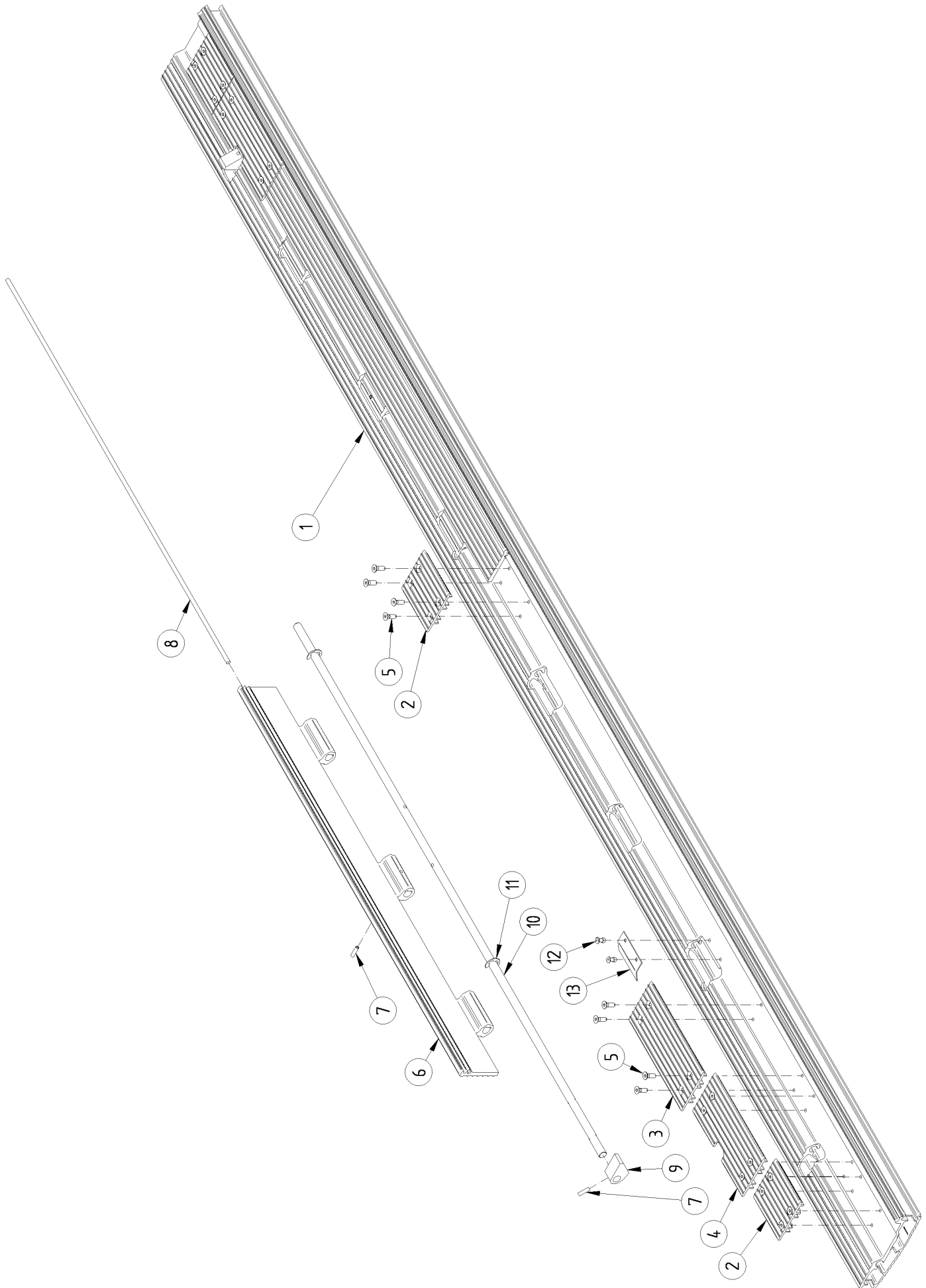
b) Raste BG 3Rx / 2Rx = Pos 2, 22 - 28,  
slot kit 3Rx / 2 Rx = pos 2, 22 - 28,



# Abrollsicherung / trolley stop

2Rx / 3Rx

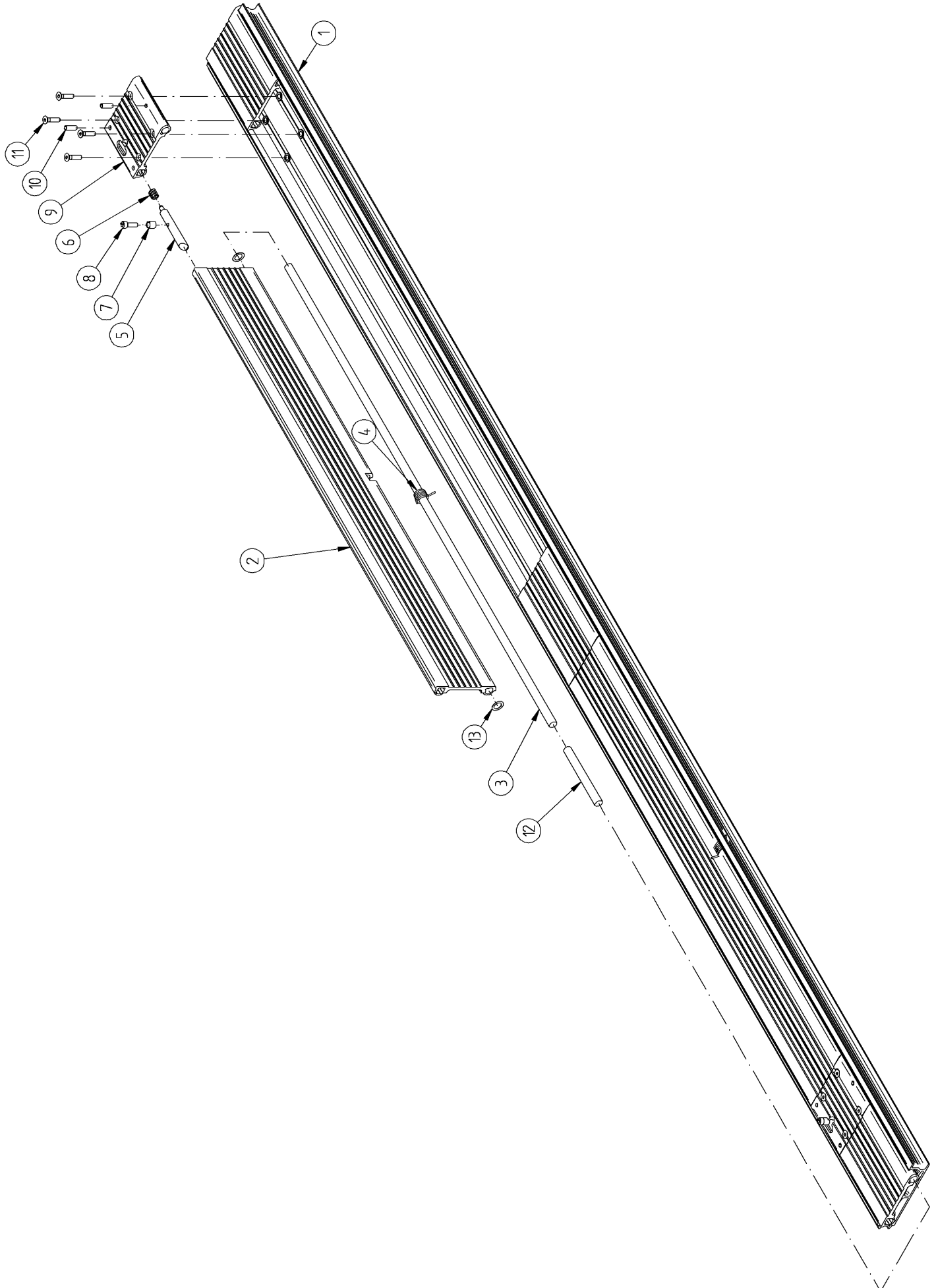
| Pos.<br>ref. | Benennung                           | description                           |             | St. / qty. |     | Art. - Nr. / art. - no. |           |
|--------------|-------------------------------------|---------------------------------------|-------------|------------|-----|-------------------------|-----------|
|              |                                     |                                       |             | 2Rx        | 3Rx | 2Rx                     | 3Rx       |
| 1            | Abrollsicherung BS 3Rx - Klappen    | trolley stop kit 3Rx                  | 745 / 0 mm  | -          | 1   | -                       | 01.134577 |
|              | Abrollsicherung BS 2Rx - Klappen    | trolley stop kit 2Rx                  | 745 /150 mm | 1          | -   | 01.134572               | -         |
| 2            | Füllstück für Abrosi Ax/Rx          | distance plate for trolley stop Ax/Rx | 130 mm      | 1          | -   | 01.134575               | -         |
|              | Füllstück für Abrosi Ax/Rx          | distance plate for trolley stop Ax/Rx | 30 mm       | 3          | 3   | -                       | 01.134576 |
| 3            | Entriegelung BG für Abrosi Rx       | resetting kit for trolley stop Rx     |             | 1          | 1   | 01.134538               | 01.134538 |
| 4            | Füllstück für Abrosi Ax/Rx          | distance plate for trolley stop Ax/Rx | 250 mm      | 1          | -   | 01.134573               | -         |
| 5            | Füllstück für Abrosi Ax/Rx          | distance plate for trolley stop Ax/Rx | 144 mm      | 1          | -   | 01.134574               | -         |
| 6            | Füllstück für Abrosi Ax/Rx          | distance plate for trolley stop Ax/Rx | 280 mm      | 1          | -   | 01.134568               | -         |
| 7            | Zylinderschraube mit Innensechskant | hexagon socket head cap screw flat    | M6 x 12     | 19         | 19  | 01.123759               | 01.123759 |
| 8            | Klappe BG für Abrosi Rx             | flap kit for trolley stop Rx          | 745 mm      | 2          | 3   | 01.136804               | 01.136804 |
| 9            | Spannstift                          | split pin                             | ø5 x 18     | 2          | 3   | 01.117080               | 01.117080 |
| 10           | Blattfeder für Abrollsicherung RX   | leaf spring for trolley stop RX       |             | 2          | 3   | 01.125791               | 01.125791 |
| 11           | Zylinderschraube mit Innensechsrund | hexagon socket head cap screw         | M4 x 12     | 4          | 6   | 01.125700               | 01.125700 |
| 12           | Sechskantmutter selbstsichernd      | nut self securing                     | M4          | 4          | 6   | 01.102316               | 01.102316 |
| 13           | Welle für Abrollsicherung           | shaft for trolley stop                | ø12 x 696   | 2          | 3   | 01.110220               | 01.110220 |
| 14           | Schenkelfeder                       | leg spring                            | ø3          | 2          | 3   | 01.110222               | 01.110222 |
| 15           | Sicherungsscheibe für Welle         | lock washer for shaft                 | ø12         | 4          | 6   | 01.136539               | 01.136539 |
| 16           | Raste BG 2Rx Rechtsverkehr          | slot kit 2Rx                          |             | 1          | -   | 01.134905               | -         |
|              | Raste BG 3RX Rechtsverkehr          | slot kit 3RX right-hand-traffic       |             | -          | 1   | -                       | 01.125133 |
| 17           | Zylinderschraube mit Innensechskant | hexagon socket head cap screw         | M5 x 10     | 1          | 1   | 01.126368               | 01.126368 |
| 18           | Senkschraube                        | hexagon socket screw                  | M6 x 12     | 2          | 2   | 01.100666               | 01.100666 |
| 19           | Zylinderschraube mit Innensechskant | hexagon socket head cap screw flat    | M6 x 12     | 1          | 1   | 01.124583               | 01.124583 |





# Abrollsicherung / trolley stop 2Ax

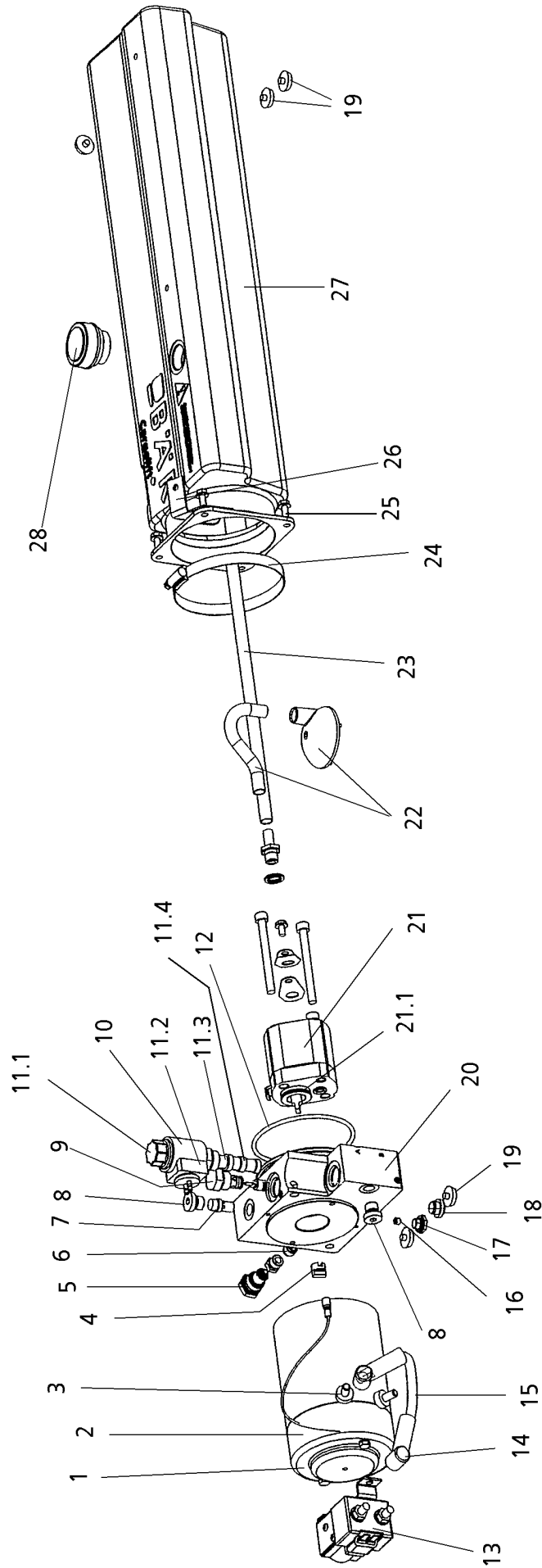
| Pos.<br>ref. | Benennung                                  | description                               |              | St.<br>qty. | Art. - Nr.<br>art. - no. |
|--------------|--|---|--------------|-------------|--------------------------|
| 1            | Abrollsicherung BS 2Ax                     | trolley stop kit 2Ax                      | 800 mm       | 1           | 01.134570                |
| 2            | Füllstück für Abrollsicherung Ax/Rx        | distance plate for trolley stop Ax/Rx     | 90 mm        | 3           | 01.134569                |
| 3            | Füllstück für Abrollsicherung Ax/Rx        | distance plate for trolley stop Ax/Rx     | 189 mm       | 1           | 01.135602                |
| 4            | Füllstück Bedienung für Abrollsicherung AX | distance plate for operation trolley stop | 177 mm       | 2           | 01.134567                |
| 5            | Senkschraube mit Innensechskant            | hexagon socket countersunk head screw     | M6 x 18      | 24          | 01.124581                |
| 6            | Klappe BG für Abrollsicherung Ax           | flap kit for trolley stop Ax              | 800 mm       | 2           | 01.136800                |
| 7            | Spannstift                                 | split pin                                 | ø5 x 18      | 4           | 01.117080                |
| 8            | Rundschnur Moosgummi                       | rubber seal                               | ø6           | 1           | 01.134534                |
| 9            | Betätigungshebel für Abrollsicherung 2Ax   | actuation lever for trolley stop 2Ax      | 20 x 20 x 35 | 2           | 01.134571                |
| 10           | Welle für Abrollsicherung                  | shaft for trolley stop                    | ø12 x1100    | 2           | 01.135601                |
| 11           | Sicherungsscheibe für Welle                | lock washer for shaft                     | ø12          | 4           | 01.136539                |
| 12           | Blindniet Flachkopf                        | blind rivet flat head                     | ø5 x 12      | 4           | 01.100784                |
| 13           | Blattfeder für Abrollsicherung 2Ax         | flat spring for trolley stop 2Ax          | 40 x 1 x 65  | 2           | 01.134566                |



## Abrollssicherung / trolley stop

2AD; 2RD; 2ad; 2rd

| Pos. | Benennung                                  | description                               |                      | St.  | Art.-Nr. / art.-no. |
|------|--|---|----------------------|------|---------------------|
| ref. |  |   |                      | qty. |                     |
| 1    | Abrollssicherung BS 2ad für BAplan40VL(L)  | trolley stop 2ad unit for BAplan40VL(L)   | Plafo 2480 - 2560    | 1    | 01.131933           |
|      | Abrollssicherung BS 2ad für BAplan40VL(L)  | trolley stop 2ad unit for BAplan40VL(L)   | Plafo 2050 - 2470    | 1    | 01.131934           |
|      | Abrollssicherung BS 2rd für BAplan40VL(L)  | trolley stop 2rd unit for BAplan40VL(L)   | Plafo 2480 - 2560    | 1    | 01.134135           |
|      | Abrollssicherung BS 2rd für BAplan40VL(L)  | trolley stop 2rd unit for BAplan40VL(L)   | Plafo 2050 - 2470    | 1    | 01.134138           |
| 2    | Klappe für Abrollssicherung 2AD            | flap for trolley stop 2AD                 | 850 mm               | 2    | 01.126428           |
|      | Klappe für Abrollssicherung 2/3AD          | flap for trolley stop 2/3AD               | 750 mm               | 2    | 01.126443           |
|      | Klappe für Abrollssicherung 2ad            | flap for trolley stop 2ad                 | 850 mm               | 2    | 01.131904           |
|      | Klappe für Abrollssicherung 2ad            | flap for trolley stop 2ad                 | 750 mm               | 2    | 01.131905           |
|      | Klappe für Abrollssicherung 2rd            | flap for trolley stop 2rd                 | 850 mm               | 2    | 01.134142           |
|      | Klappe für Abrollssicherung 2rd            | flap for trolley stop 2rd                 | 750 mm               | 2    | 01.134141           |
| 3    | Welle für Abrollssicherung 2AD / 2ad / 2rd | shaft for trolley stop 2AD / 2ad / 2rd    | ø 12 x 930           | 2    | 01.126434           |
|      | Welle für Abrollssicherung 2AD / 2ad / 2rd | shaft for trolley stop 2AD / 2ad / 2rd    | ø 12 x 830           | 2    | 01.126438           |
| 4    | Schenkelfeder                              | leg spring                                | ø 2.2 / 6 Windungen  | 2    | 01.126433           |
| 5    | Verriegelungsbolzen                        | locking bolt                              | ø 12 x 85            | 2    | 01.126430           |
| 6    | Druckfeder                                 | pressure spring                           | ø 1.25 x ø 11 x 22lg | 2    | 01.126432           |
| 7    | Distanzhülse                               | spacer sleeve                             | ø 10 x ø 8 x 10      | 2    | 01.126431           |
| 8    | Zylinderschraube mit Innensechskant        | hexagon socket head cap screw             | M 6 x 20             | 2    | 01.117072           |
| 9    | Füllstück Entriegelung für 2AD             | distance plate lock-out release 2AD       | 100 mm               | 2    | 01.126429           |
|      | Füllstück Entriegelung für 2ad / 2rd       | distance plate lock-out release 2ad / 2rd | 100 mm               | 2    | 01.131893           |
| 10   | Spannstift schwere Ausführung              | split pin                                 | ø 6 x 16             | 4    | 01.119576           |
| 11   | Senkschraube mit Innensechskant 2AD        | hexagon socket countersunk head screw     | M 6 x 25             | 8    | 01.100669           |
|      | Senkschraube mit Innensechskant 2ad / 2rd  | hexagon socket countersunk head screw     | M 6 x 16             | 8    | 01.116898           |
| 12   | Distanz                                    | spacer bracket                            | ø 12 x 210           | 1    | 01.126435           |
|      | Distanz                                    | spacer bracket                            | ø 12 x 110           | 1    | 01.126436           |
| 13   | Paßscheibe                                 | spacer washer                             | ø 12.5 / ø 18 x 0.5  | 4    | 01.129740           |



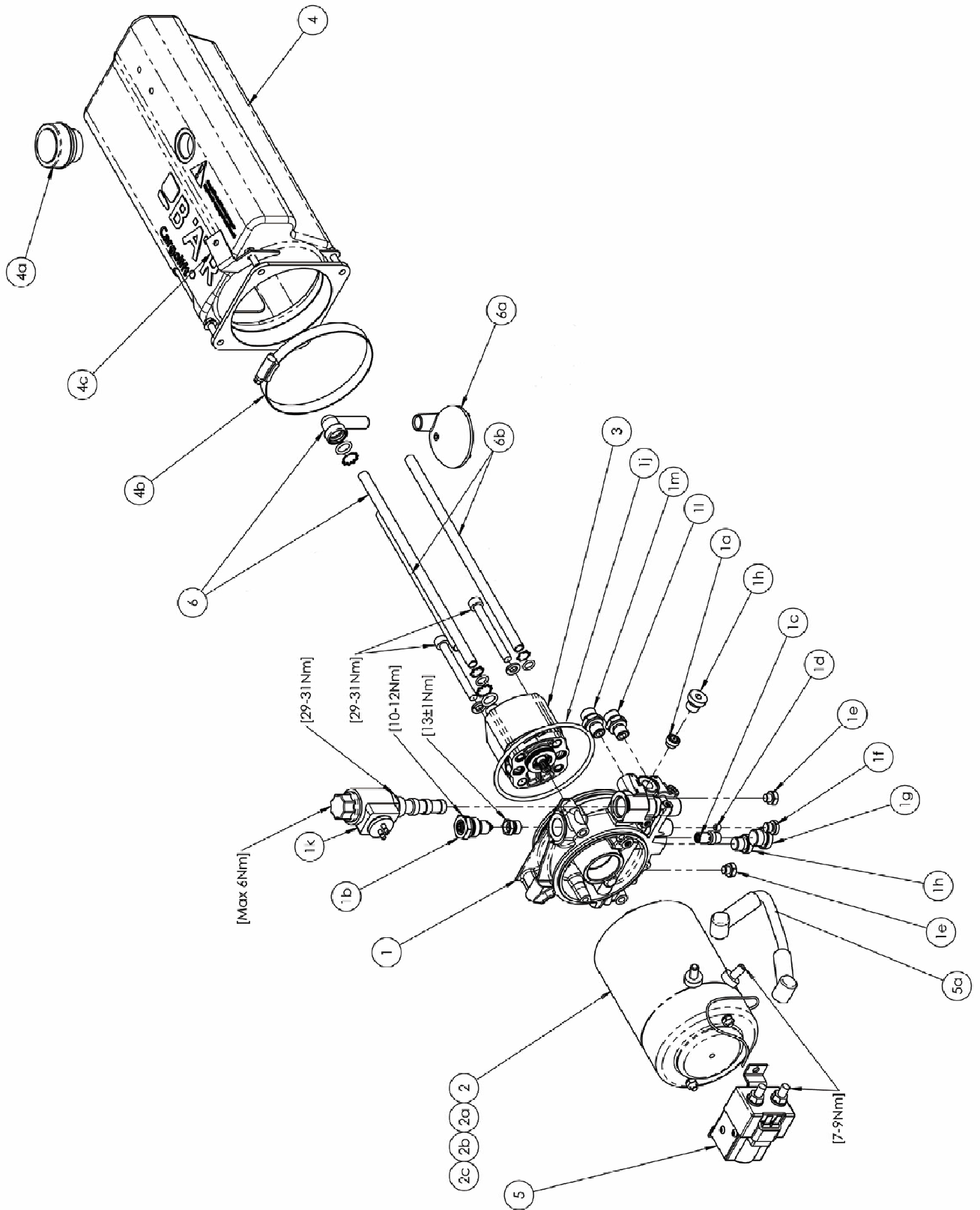
# Hydraulikaggregat / power pack

## Haldex HA

| Pos.<br>ref. | Benennung                          | description                       |                     | St.<br>qty. | Art. - Nr. / art. - no. |           |
|--------------|------------------------------------|-----------------------------------|---------------------|-------------|-------------------------|-----------|
|              |                                    |                                   |                     |             | 12 V                    | 24 V      |
|              | Hydraulikaggregat                  | power pack                        | 24V / 3,2ccm / 3 kW | 1           |                         | HA.122222 |
|              | Hydraulikaggregat                  | power pack                        | 12V / 2.6ccm / 3 kW | 1           | HA.131387               | -         |
| 1            | Elektromotor                       | electric motor                    | 24 V / 3 kW         | 1           | -                       | 01.123408 |
|              | Elektromotor                       | electric motor                    | 12 V / 3 kW         | 1           | 01.132938               | -         |
| 2            | Kohlenbürstensatz für Elektromotor | carbon brush for electric motor   | 3 KW                | 1           | 01.123392               | 01.123392 |
| 3            | Thermoschalter                     | thermo cut-out                    |                     | 1           | 01.118411               | 01.118411 |
| 4            | Mitnehmer Motor-Pumpe              | driver motor-pump                 |                     | 1           | 01.118416               | 01.118416 |
| 5            | Druckbegrenzungsventil             | pressure relief valve             |                     | 1           | 01.123398               | 01.123398 |
| 6            | Rückschlagventil                   | check valve                       |                     | 1           | 01.123399               | 01.123399 |
| 7            | Senkbremsventil G1/4"              | safety flow restrictor G1/4"      |                     | 1           | 01.116285               | 01.116285 |
| 8            | Verschlußschraube                  | locking screw with hexagon socket | VSTI R 1/4" - ED    | 1           | 01.109144               | 01.109144 |
| 9            | Rückschlagventil RV1               | check valve RV1                   |                     | 1           | 01.123828               | 01.123828 |
| 10           | 4/2 Wegeventil - WKM               | 4/2 solenoid valve - WKM          |                     | 1           | 01.123413               | 01.123412 |
| 11.1         | Hutmutter                          | cap nut                           | M18 x 1.5           | 1           | 01.124771               | 01.124771 |
| 11.2         | Magnetspule mit Kostalanschluß     | magnetic coil with plug           | ø 18 mm             | 1           | 01.124768               | 01.124767 |
| 11.3         | Ventileinsatz für WKM Ventil       | valve insert for WKM valve        |                     | 1           | 01.124770               | 01.124770 |
| 11.4         | Dichtsatz kpl. für WKM Ventil      | sealing kit compl. for WKM valve  |                     | 1           | 01.125454               | 01.125454 |
| 12           | O-Ring                             | o-ring                            | ø101.19 x 3.53      | 1           | 01.123418               | 01.123418 |
| 13           | Leistungsrelais SW80PL             | power relay SW80PL                | 24 V                | 1           | 01.118417               | 01.118419 |
| 14           | Pfeifenkopfgummi                   | rubber cap                        | A 5153 NK -         | 3           | 01.101160               | 01.101160 |
| 15           | Massekabel                         | ground return cable               |                     | 1           | -                       | 01.123184 |
|              | Massekabel                         | ground return cable               |                     | 1           | 01.118412               | -         |
| 16           | Gewindestift                       | hexagon socket set screw          | M6 x 8              | 1           | 01.110217               | 01.110217 |
| 17           | Verschlußschraube mit Bund         | locking screw with collar         | G 1/8"              | 1           | 01.123827               | 01.123827 |
| 18           | Ölablaßschraube                    | oil-drain plug                    | G 1/4"              | 1           | 01.123829               | 01.123829 |
| 19           | Gummipuffer - Fuß                  | rubber buffer - foot              |                     | 1           | 01.123411               | 01.123411 |
| 20           | Ventilblock                        | valve block                       |                     | 1           | 01.123396               | 01.123396 |
| 21           | Hydraulikpumpe                     | hydraulic pump                    | 3.2 ccm             | 1           | -                       | 01.128098 |
|              | Hydraulikpumpe                     | hydraulic pump                    | 2.6 ccm             | 1           | 01.118422               | -         |
| 21.1         | Dichtsatz kpl.                     | sealing kit compl.                |                     | 1           | 01.118435               | 01.118435 |
| 22           | Saugfilter mit Saugrohr            | suction filter with suction tube  |                     | 1           | 01.118431               | 01.118431 |
| 23           | Rücklauf                           | return flow                       |                     | 1           | 01.123824               | 01.123824 |
| 24           | Schneckenengewindeschelle          | jubilee clip                      |                     | 1           | 01.123424               | 01.123424 |
| 25           | Lasche                             | tongue                            |                     | 1           | 01.125584               | 01.125584 |
| 26           | Halter für Kabel                   | mounting bracket for cable        |                     | 1           | 01.123823               | 01.123823 |
| 27           | Tank                               | tank                              | 8.9 l               | 1           | 01.122336               | 01.122336 |
| 28           | Luftfilter                         | air filter                        | ø3/4 Zoll           | 1           | 01.123425               | 01.123425 |

### Hinweis:

Einzelteile der Hydraulikaggregate „HA“ und „HX“ sind nicht miteinander tauschbar!  
*Individual parts of the power packs „HA“ and „HX“ are not exchangeable with one another!*



# Hydraulikaggregat / power pack

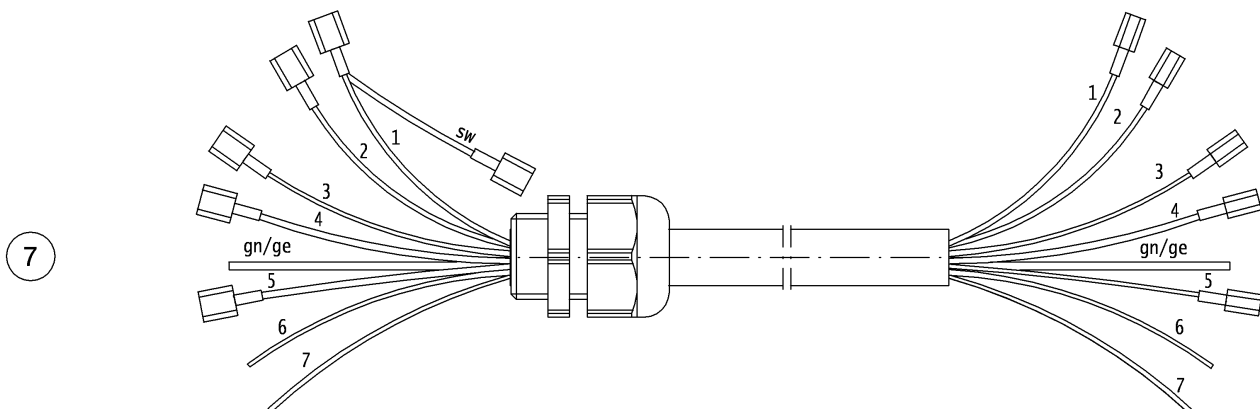
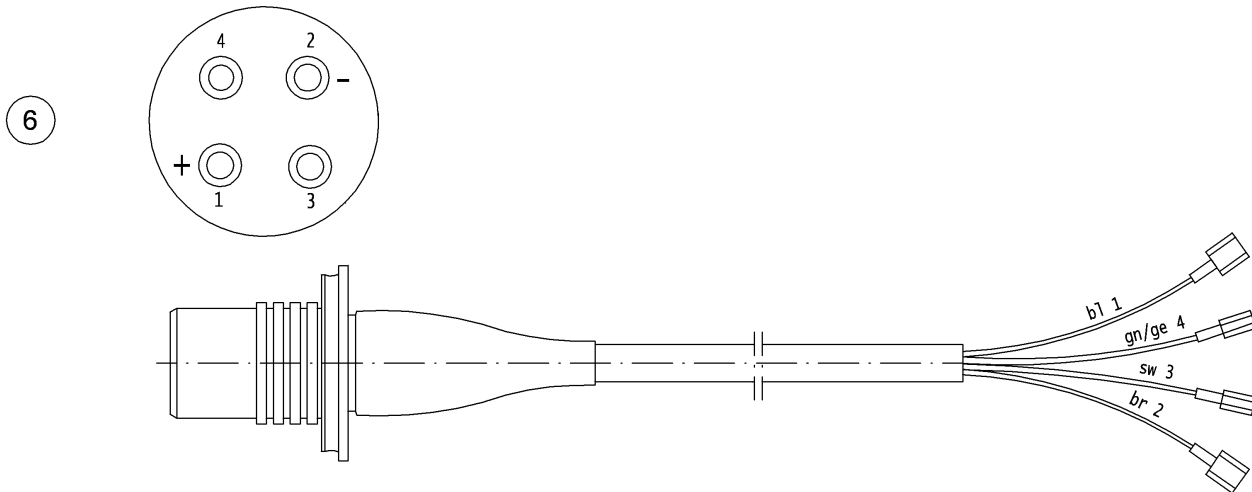
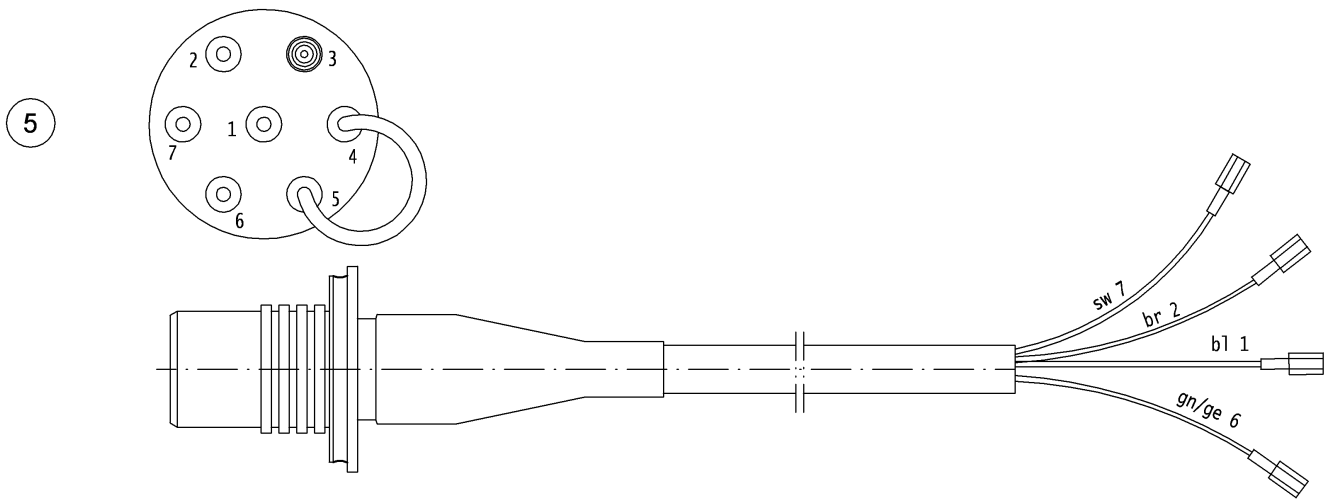
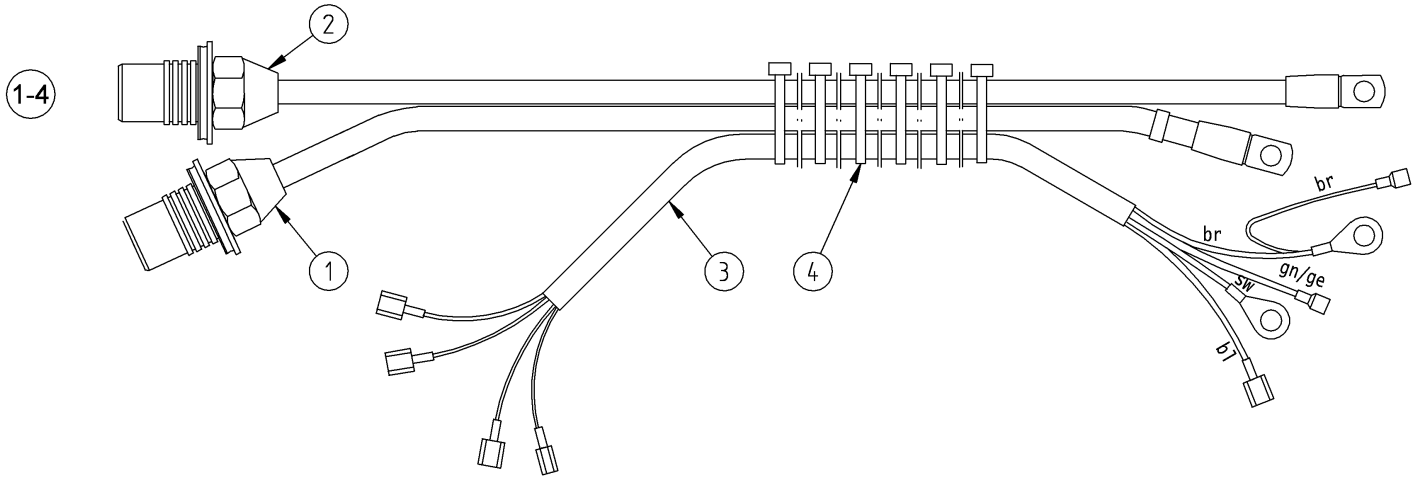
## Haldex HX

| Pos.<br>ref. | Benennung                                  | description                        |                         | St.<br>qty. | Art. - Nr. / art. - no. |           |
|--------------|--|------------------------------------|-------------------------|-------------|-------------------------|-----------|
|              |  |                                    |                         |             | 12 V                    | 24 V      |
|              | Hydraulikaggregat                          | power pack                         | 12 V / 2.0 ccm / 1.7 kW | 1           | HX.122215               | -         |
|              | Hydraulikaggregat                          | power pack                         | 24 V / 2.0 ccm / 2 kW   | 1           | -                       | HX.122216 |
|              | Hydraulikaggregat - Leiselauf              | low noise power pack               | 24 V / 2.0 ccm / 2 kW   | 1           | -                       | HX.122217 |
|              | Hydraulikaggregat                          | power pack                         | 24 V / 2.6 ccm / 2 kW   | 1           | -                       | HX.122218 |
|              | Hydraulikaggregat - Leiselauf              | low noise power pack               | 24 V / 2.6 ccm / 2 kW   | 1           | -                       | HX.122219 |
|              | Hydraulikaggregat                          | power pack - 3kW                   | 24 V / 2.6 ccm / 3 kW   | 1           | -                       | HX.122220 |
|              | Hydraulikaggregat                          | power pack                         | 24 V / 3.2 ccm / 3 kW   | 1           | -                       | HX.122222 |
|              | Hydraulikaggregat                          | power pack                         | 12 V / 2.6 ccm / 3 kW   | 1           | HX.131387               | -         |
| 1            | Ventilblock HX                             | valve block kit                    |                         | 1           | 01.134652               | 01.134652 |
| 1a           | Rückschlagventil                           | check valve                        |                         | 1           | 01.123382               | 01.123382 |
| 1b           | Druckbegrenzungsventil                     | pressure relief valve              |                         | 1           | 01.123398               | 01.123398 |
| 1c           | Senkbremssventil G1/4"                     | safety flow restrictor G1/4"       | 7.5 L/min               | 1           | 01.116906               | 01.116906 |
|              | Senkbremssventil G1/4"                     | safety flow restrictor G1/4"       | 8.75 L/min              | 1           | -                       | 01.116285 |
|              | Senkbremssventil G1/4"                     | safety flow restrictor G1/4"       | 10.0 - 15.0 L/min       | 1           | 01.131888               | 01.131888 |
| 1d           | Drosselblende ø 1.2                        | throttle valve ø 1.2               | M6 x 6                  | 1           | 01.132695               | 01.132695 |
|              | Drosselblende ø 1,7                        | throttle valve ø 1.7               | M6 x 6                  | 1           | 01.132790               | 01.132790 |
| 1e           | Sechskantschraube                          | hexagon screw                      | M8 x 6                  | 2           | 01.137055               | 01.137055 |
| 1f           | Verschlußschraube mit Innensechskant       | locking screw with hexagon socket  | VSTI R 1/4" - ED        | 2           | 01.109144               | 01.109144 |
| 1g           | Verschlußschraube mit Innensechskant       | locking screw with hexagon socket  | VSTI R 1/8" - ED        | 1           | 01.110257               | 01.110257 |
| 1h           | Verschlußschraube mit Innensechskant       | locking screw with hexagon socket  | VSTI R 3/8" - ED        | 1           | 01.118806               | 01.118806 |
| 1j           | O-Ring                                     | o-ring                             | ø112 x 4                | 1           | 01.124453               | 01.124453 |
| 1k           | 4/2 Wegeventil - WKM                       | 4/2 solenoid valve - WKM           | 12 V                    | 1           | 01.123413               | -         |
|              | 4/2 Wegeventil - WKM                       | 4/2 solenoid valve - WKM           | 24 V                    | 1           | -                       | 01.123412 |
| 1l           | Einschraubverschraubung gerade - OMD       | pipe fitting straight - OMD        | GE 10 PLR 1/4" ED       | 1           | 01.127545               | 01.127545 |
| 1m           | Einschraubverschraubung gerade - OMD       | pipe fitting straight - OMD        | GE 10 PLR 1/4" ED       | 1           | 01.127545               | 01.127545 |
| 2            | Elektromotor HX                            | electric motor                     | 12 V / 1.7 kW ø112      | 1           | 01.135311               | -         |
|              | Elektromotor HX                            | electric motor                     | 24 V / 2.0 kW ø112      | 1           | -                       | 01.135312 |
|              | Elektromotor HX                            | electric motor                     | 24 V / 3.0 kW ø125      | 1           | -                       | 01.135325 |
|              | Elektromotor HX                            | electric motor                     | 12 V / 1.7 kW ø125      | 1           | 01.135325               | -         |
| 2a           | Kohlenbürstensatz für Elektromotor         | carbon brush for electric motor    | 12 V / 2 kW             | 1           | 01.123373               | -         |
|              | Kohlenbürstensatz für Elektromotor         | carbon brush for electric motor    | 24 V / 2 kW             | 1           | -                       | 01.123375 |
|              | Kohlenbürstensatz für Elektromotor         | carbon brush for electric motor    | 24 V / 2.6 ccm / 3 kW   | 1           | 01.123392               | 01.123392 |
| 2b           | Kugellager für Elektromotor                | ball bearing for electrical motor  |                         | 1           | 01.123393               | 01.123393 |
|              | Kugellager für Elektromotor                | ball bearing for electrical motor  | 3 KW                    | 1           | 01.123394               | 01.123394 |
|              | Kugellager für Elektromotor                | ball bearing for electrical motor  | 3 KW                    | 1           | 01.123395               | 01.123395 |
| 2c           | Thermoschalter                             | thermo cut-out                     |                         | 1           | 01.118411               | 01.118411 |
| 3            | Hydraulikpumpe                             | hydraulic pump                     | 2.0 ccm                 | 1           | 01.135317               | 01.135317 |
|              | Hydraulikpumpe - Leiselaufpumpe            | low noise hydraulic pump           | 2.0 ccm                 | 1           | -                       | 01.135318 |
|              | Hydraulikpumpe                             | hydraulic pump                     | 2.5 ccm                 | 1           | 01.135319               | 01.135319 |
|              | Hydraulikpumpe - Leiselaufpumpe            | low noise hydraulic pump           | 2.5 ccm                 | 1           | -                       | 01.135320 |
|              | Hydraulikpumpe                             | hydraulic pump                     | 3.2 ccm                 | 1           | -                       | 01.135321 |
| 4            | Tank                                       | tank                               | 5.4 l - Nutzvolumen     | 1           | 01.122334               | -         |
|              | Tank                                       | tank                               | 6.6 l - Nutzvolumen     | 1           | -                       | 01.122335 |
|              | Tank                                       | tank                               | 8.9 l - Nutzvolumen     | 1           | 01.122336               | 01.122336 |
| 4a           | Luftfilter                                 | air filter                         | Ø 3/4"                  | 1           | 01.123425               | 01.123425 |
| 4b           | Schneckenengewindeschelle                  | jubilee clip                       |                         | 1           | 01.123424               | 01.123424 |
| 4c           | Halter für Kabel                           | mounting bracket for cable         |                         | 1           | 01.123823               | 01.123823 |
| 5            | Leistungsrelais SW80PL                     | power relay SW80PL                 | 12 V                    | 1           | 01.118417               | -         |
|              | Leistungsrelais SW80PL                     | power relay SW80PL                 | 24 V                    | 1           | -                       | 01.118419 |
| 5a           | Kabelbrücke Motor (Plus) - Leistungsrelais | cable link motor (+) - power relay | 35 mm <sup>2</sup>      | 1           | 01.123184               | 01.123184 |
|              | Kabelbrücke Motor (Plus) - Leistungsrelais | cable link motor (+) - power relay | 25 mm <sup>2</sup>      | 1           | 01.118412               | 01.118412 |
| 6            | Saugleitung für Pumpe                      | suction tube for pump              |                         | 1           | 01.123414               | 01.123414 |
| 6a           | Saugfilter                                 | suction filter                     |                         | 1           | 01.121270               | 01.121270 |
| 6b           | Rücklauf                                   | return flow                        |                         | 2           | 01.123824               | 01.123824 |
| -            | Pfeifenkopfgummi                           | rubber cap                         | A 5153 NK               | 3           | 01.101160               | 01.101160 |

### Hinweis:

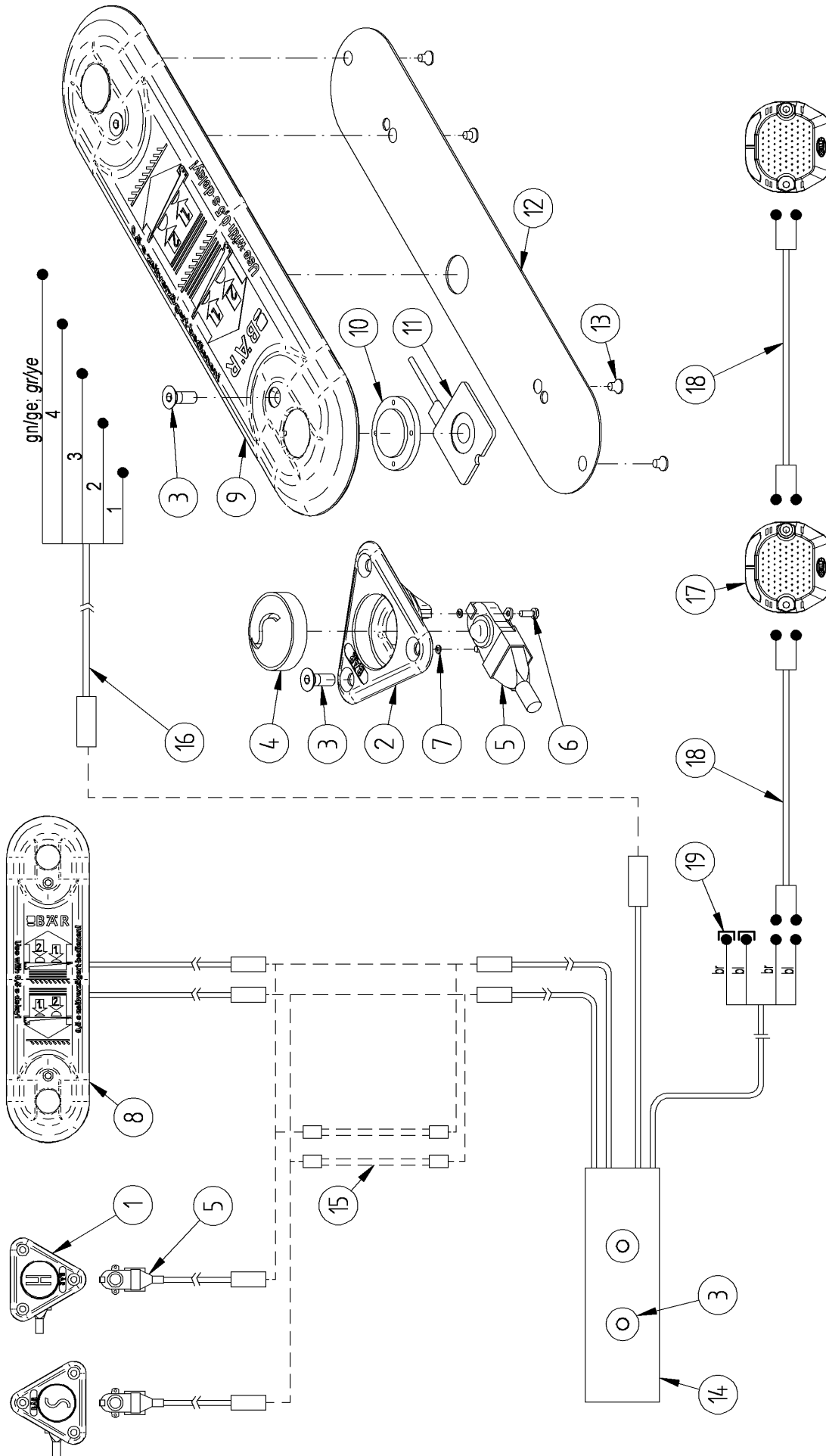
Einzelteile der Hydraulikaggregate „HA“ und „HX“ sind nicht miteinander tauschbar!

Individual parts of the power packs „HA“ and „HX“ are not exchangeable with one another!

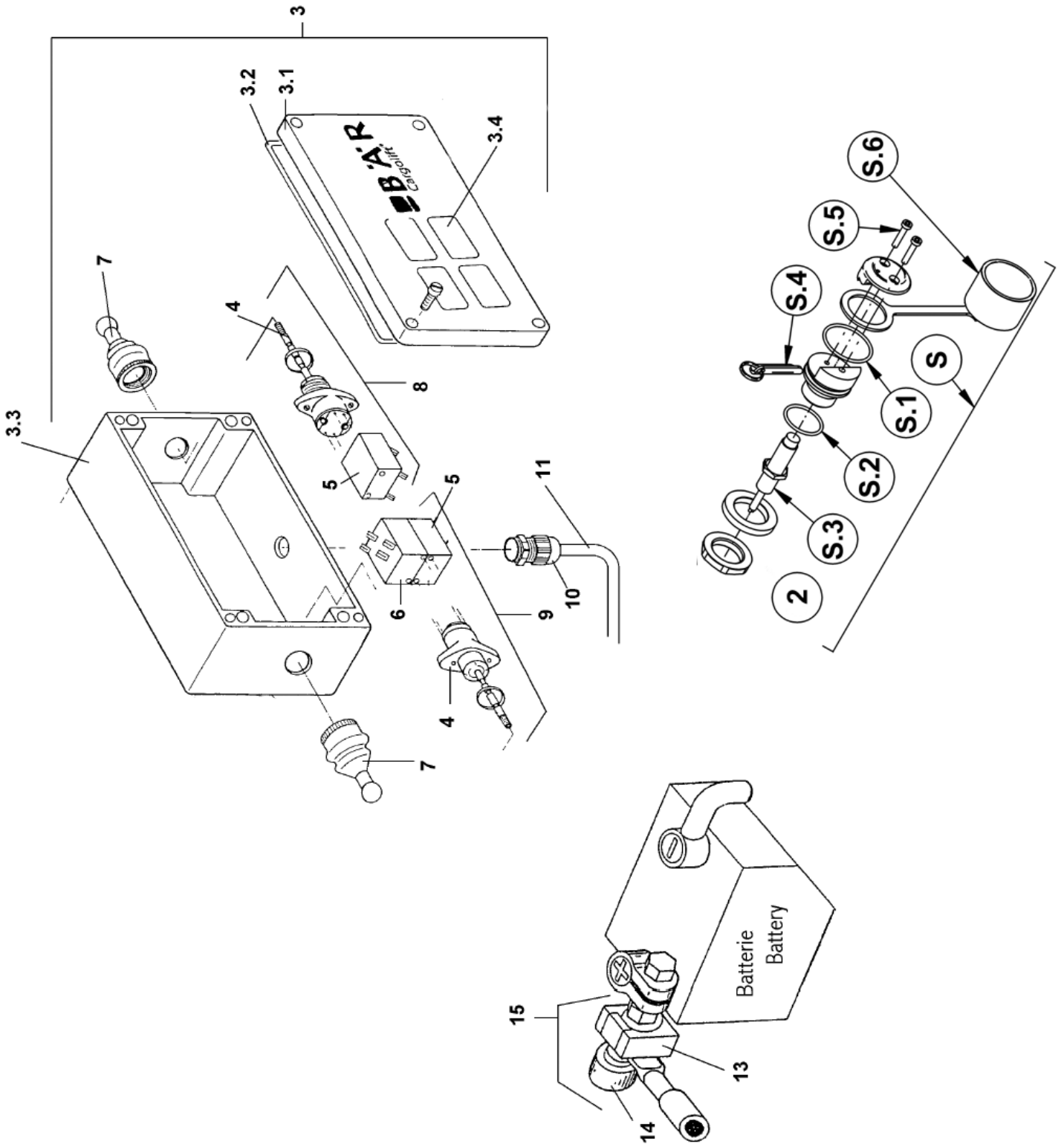




| Pos.<br><i>ref.</i> | Benennung                                | <i>description</i>                                   |                             | St.<br><i>qty.</i> | Art. - Nr. / <i>art. - no.</i> |           |
|---------------------|--|--|-----------------------------|--------------------|--------------------------------|-----------|
|                     |  |  |                             |                    | 12 V                           | 24 V      |
| 1 - 4               | Kabelstrang BG Tragrohr                  | <i>wiring kit beam - connector</i>                   |                             | 1                  | 01.131538                      | 01.131538 |
| 1                   | Hauptstromkabel BG Magnetschalter (+)    | <i>main feed cable kit solenoid switch (+)</i>       | 50 mm <sup>2</sup> x 2200   | 1                  | 01.131570                      | 01.131570 |
| 2                   | Hauptstromkabel BG Motor (-)             | <i>main feed cable kit solenoid switch (-)</i>       | 50 mm <sup>2</sup> x 2300   | 1                  | 01.131539                      | 01.131539 |
| 3                   | Steuerstromkabel - Aggregat              | <i>control wiring power pack mainboard</i>           | 4x1.5 mm <sup>2</sup> x3320 | 1                  | 01.131571                      | 01.131571 |
| 4                   | Kabelband                                | <i>cable tape</i>                                    | T 30 R                      | 6                  | 01.101100                      | 01.101100 |
| 5                   | Steuerstromkabel BG Zentralelektrik      | <i>control wiring kit central electric</i>           | 4x1.0 mm <sup>2</sup> x1250 | 1                  | 01.130032                      | 01.130032 |
| 6                   | Kabelsatz für Kofferbeleuchtung BG       | <i>wiring set for interior body lights kit</i>       | 4x1.0 mm <sup>2</sup> x1250 | 1                  | 01.130039                      | 01.130039 |
| 7                   | Steuerstromkabel Bedieneinheit rechts    | <i>control wiring control box right</i>              | 8x1.0 mm <sup>2</sup> x2700 | 1                  | 01.118926                      | 01.118926 |
|                     | Steuerstromkabel Bedieneinheit links     | <i>control wiring control box left</i>               | 8x1.0 mm <sup>2</sup> x5500 | 1                  | 01.119030                      | 01.119030 |
|                     | Steuerstromkabel Bedieneinheit ZA links  | <i>control wiring control box ZA left</i>            | 8x1.0 mm <sup>2</sup> x5500 | 1                  | 01.119029                      | 01.119029 |
|                     | Steuerstromkabel Bedieneinheit rechts    | <i>control wiring control box right</i>              | 8x1.0 mm <sup>2</sup> x3500 | 1                  | 01.119026                      | 01.119026 |
| -                   | Schutzhaube kpl. für Hauptstromanschluß  | <i>protection cover for main feed connection</i>     |                             | 1                  | 01.116336                      | 01.116336 |
| -                   | Zylinderschraube mit Innensechskant      | <i>hexagon socket head cap screw</i>                 | M6 x 20                     | 2                  | 01.100534                      | 01.100534 |
| -                   | Fahrerhauseinschaltung Druckknopf        | <i>cabin safety switch button</i>                    |                             | 1                  | 01.118840                      | 01.118843 |
| -                   | Diode BS                                 | <i>diode kit</i>                                     |                             | 1                  | 01.122623                      | 01.122624 |
| -                   | Zentralelektrik S Standardausstattung    | <i>central electric circuit S Standard equipment</i> |                             | 1                  | 01.123882                      | 01.123881 |
| -                   | Zentralelektrik ZA mit Zusatzausstattung | <i>central electric circuit with optional extra</i>  |                             | 1                  | 01.131435                      | 01.123311 |
| -                   | Schutzhaube für Zentralelektrik          | <i>protection cover mainboard</i>                    |                             | 1                  | 01.118235                      | 01.118235 |
| -                   | Hinweisschild Notbetrieb                 | <i>sign for emergency operation</i>                  | 126 x 134                   | 1                  | 01.123317                      | 01.123317 |
| -                   | Sechskantschraube                        | <i>hexagon screw</i>                                 | M5 x 16                     | 2                  | 01.100565                      | 01.100565 |
| -                   | Scheibe Form B                           | <i>washer form B</i>                                 | ø5.3                        | 2                  | 01.100739                      | 01.100739 |
| -                   | Sechskantmutter selbstsichernd           | <i>hexagon nut self-locking flat form</i>            | M5                          | 2                  | 01.118746                      | 01.118746 |
| -                   | Hauptstromsicherung BS (Würfel)          | <i>main feed fuse kit (cube)</i>                     | 50 mm <sup>2</sup> / 200 A  | 1                  | 01.131891                      | 01.116696 |
| -                   | Rohrkabelschuh                           | <i>cable eye</i>                                     | M8 / 50 mm <sup>2</sup>     | 1                  | 01.101039                      | 01.101039 |



| Pos.<br>ref. | Benennung                               | description                                      |                       | St.<br>qty. | Art. - Nr. / art. - no. |           |
|--------------|---|--|-----------------------|-------------|-------------------------|-----------|
|              |   |  |                       |             | 12 V                    | 24 V      |
| 1            | Fußschalter dreieck "H" BG              | foot control triangle "H" kit                    |                       | 1           | 01.123952               | 01.123952 |
|              | Fußschalter dreieck "S" BG              | foot control triangle "S" kit                    |                       | 1           | 01.123953               | 01.123953 |
| 2            | Fußschalter - Gehäuse Gußteil           | foot control - cover                             | dreieckig             | 2           | 01.100908               | 01.100908 |
| 3            | Senkschraube mit Innensechskant         | hexagon socket countersunk head screw            | M6 x 16               | 8           | 01.116898               | 01.116898 |
| 4            | Gummidrücker "S" für Fußschalter        | rubber button for foot control "S"               |                       | 1           | 01.100942               | 01.100942 |
|              | Gummidrücker "H" für Fußschalter        | rubber button for foot control "H"               |                       | 1           | 01.101157               | 01.101157 |
| 5            | Mikroschalter mit Superseal-Stecker     | micro switch with superseal-connector            | 2-polig               | 2           | 01.123674               | 01.123674 |
|              | Bedienschild 2-Knopf-Fußsteuerung       | operating sign 2 button - foot control           | 100 x 120 x 0.8       | 1           | 01.112982               | 01.112982 |
| 6            | Zylinderschraube mit Schlitz            | cylinder head screw with slot                    | M3 x 8                | 6           | 01.100491               | 01.100491 |
| 7            | Federring Form A aufgebogen             | spring lock washer form A curved                 | A 3                   | 6           | 01.103435               | 01.103435 |
| 8            | Fußschalter BG (Bär Fußschaltereinheit) | foot control kit                                 |                       | 1           | 01.128021               | 01.128021 |
| 9            | Fußschaltertasterplatte                 | foot control cover plate "SlimControl"           |                       | 1           | 01.128022               | 01.128022 |
| 10           | Gummidrücker für Fußschalter            | rubber button for foot control                   |                       | 2           | 01.128024               | 01.128024 |
| 11           | Fußschalter - Taster                    | foot control - push button                       | 800 mm Kabel          | 2           | 01.128023               | 01.128023 |
| 12           | Deckblech für Fußschaltertasterplatte   | cover sheet for foot control plate               |                       | 1           | 01.125282               | 01.125282 |
| 13           | Gewindefurchende Schraube               | thread rolling screw                             | M4 x 6                | 4           | 01.125283               | 01.125283 |
| 14           | Fußschalterelektronik BG                | foot control electronic kit                      |                       | 1           | 01.131115               | 01.131115 |
| 15           | Kabelbrücke FSE - Linksverkehr          | cable link foot control unit - left-hand traffic |                       | 2           | 01.123703               | 01.123703 |
| 16           | Plattformkabel BG Fußschalterelek.      | platform cable kit - foot control - plug         | 7x0.75mm <sup>2</sup> | 1           | 01.122682               | 01.122682 |
| 17           | Blinkleuchte Hella mit Dioden           | flashing lights Hella with diodes                | 24 V                  | 2           | 01.129115               | 01.129116 |
| 18           | Kabelbrücke Blinkleuchte                | cable link flashing light                        |                       | 2           | 01.119516               | 01.119516 |
| 19           | Isolierhülse Verschlussstopfen          | insulating end cap sleeve                        |                       | 2           | 01.129534               | 01.129534 |



| Pos.<br>ref.    | Benennung                               | description                             |                             | St.<br>qty. | Art. - Nr.<br>art. - no. |
|-----------------|---|---|-----------------------------|-------------|--------------------------|
| S               | Schlüsselschalter BG - elektrisch       | key switch kit - electrically operated  |                             | 1           | 01.131507                |
| S.1             | O-Ring                                  | o-ring                                  | ∅ 29.87x1.78                | 1           | 01.103902                |
| S.2             | O-Ring Hydraulikqualität                | o-ring                                  | ∅ 26 x 2.0                  | 1           | 01.106268                |
| S.3             | Näherungsinitiator                      | proximity switch                        |                             | 1           | 01.131385                |
| S.4             | Entriegelungsschlüssel                  | resetting key                           | 2 x Form                    | 2           | 01.124671                |
| S.5             | Zylinderschraube mit Innenskt.          | hexagon socket head cap screw           | M4x20                       | 2           | 01.124753                |
| S.6             | Verschlusskappe                         | key switch cover                        | M36x29.5x135                | 1           | 01.125365                |
| -               | Gehäuse                                 | body                                    |                             | 1           | 01.126406                |
| -               | Steuerstromkabel BG                     | control wiring kit                      |                             | 1           | 01.123554                |
| -               | Kabelverschraubung                      | screwed cable gland                     |                             | 1           | 01.102984                |
| -               | Gegenmutter                             | conter nut                              |                             | 1           | 01.101127                |
| 2 <sup>a)</sup> | Spannungspuffer                         | voltage buffer                          |                             | 1           | 01.126506                |
| 3               | Bedieneinheit "QuickShift rechts"       | control box right-hand side             |                             | 1           | 01.122830                |
|                 | Bedieneinheit "QuickShift links"        | control box left-hand side              |                             | 1           | 01.123863                |
|                 | Bedieneinheit „zusätzlich links“        | control box additional left-hand side   |                             | 1           | 01.123864                |
|                 | Bedieneinheit mit Schlüsselschalter     | control box with key switch             |                             | 1           | 01.123448                |
| 3.1             | Deckel Gehäuse                          | housing cover                           |                             | 1           | 01.121044                |
| 3.2             | Dichtung Gehäuse                        | housing seal                            |                             | 1           | 01.126356                |
| 3.3             | Gehäuse mit Deckel                      | housing with cover                      | CP 240                      | 1           | 01.115620                |
| 3.4             | Bedienschild rechts                     | instruction sign right                  |                             | 1           | 01.122082                |
|                 | Bedienschild links                      | instruction sign left                   |                             | 1           | 01.124154                |
|                 | Bedienschild Alpha Key                  | instruction sign left Alpha Key         |                             | 1           | 01.126194                |
| 4               | Hebelschaltermechanik                   | joystick mechanism                      |                             | 1           | 01.121078                |
| 5               | Kontaktblock 11/12/23/24 rechts         | contact block 11/12/23/24 right         |                             | 2           | 01.121082                |
| 6               | Kontaktblock 31/32/43/44 links          | contact block 31/32/43/44 left          |                             | 1           | 01.121084                |
|                 | Kontaktblock „zusätzlich links“         | contact block additional left-hand side | ENAF 9.401                  | 1           | 01.117396                |
| 7               | Griff mit Dichtung                      | seal + handle kit                       |                             | 2           | 01.121075                |
| 7.1             | Dichtung für Hebelschalter              | seal for joystick                       |                             | 2           | 01.121077                |
| 8               | Hebelschalter rechts                    | joystick right                          |                             | 1           | 01.115625                |
| 9               | Hebelschalter links                     | joystick left                           |                             | 1           | 01.115626                |
| 10              | Kabelverschraubung                      | cable gland                             |                             | 1           | 01.102984                |
| 11              | Steuerstromkabel Bedieneinheit rechts   | control wiring control box right        | 8x1.0 mm <sup>2</sup> x2700 | 1           | 01.118926                |
|                 | Steuerstromkabel Bedieneinheit links    | control wiring control box left         | 8x1.0 mm <sup>2</sup> x5500 | 1           | 01.119030                |
|                 | Steuerstromkabel Bedieneinheit ZA links | control wiring control box ZA left      | 8x1.0 mm <sup>2</sup> x5500 | 1           | 01.119029                |
|                 | Steuerstromkabel Bedieneinheit rechts   | control wiring control box right        | 8x1.0 mm <sup>2</sup> x3500 | 1           | 01.119026                |
| 13              | Schmelzsicherung                        | fuse                                    | 150A                        | 1           | 01.116467                |
|                 | Schmelzsicherung                        | main fuse                               | 200A – 24V                  | 1           | 01.116467                |
| 14              | Isoliermutter mit Rasthaken             | insulation nut with hook                | 25 mm <sup>2</sup>          | 1           | 01.116577                |
|                 | Isoliermutter mit Rasthaken             | insulation nut with hook                | 50 mm <sup>2</sup>          | 1           | 01.116695                |
| 15              | Hauptstromsicherung BS                  | main feed fuse kit (cube)               | 50 mm <sup>2</sup> 200A     | 1           | 01.116696                |
|                 | Hauptstromsicherung BS                  | main feed fuse kit (cube)               | 25 mm <sup>2</sup> 150A     | 1           | 01.115623                |
|                 | Hauptstromsicherung BS                  | main feed fuse kit (cube)               | 50 mm <sup>2</sup> 150A     | 1           | 01.117425                |
| -               | Trockenbeutel                           | silica crystals                         |                             | 1           | 01.104050                |

<sup>a)</sup> Nur bei 2-adrigem Schlüsselschalter erforderlich.  
Only with 2-poles key switch necessarily.

### Verehrter Kunde,

bitte beachten Sie bei der Bestellung Ihrer Ersatzteile die folgenden Punkte:

Bei Bestellungen über unseren Bär Cargolift Internet Shop ([www.baer-cargolift.de](http://www.baer-cargolift.de)) kann eine exakte Bestellung der Ersatzteile durch Prüfung der Originalstückliste Ihres Cargolifts durchgeführt werden.

Nach Eingabe der Cargolift-Seriennummer wird hierbei online auf die Originalstückliste Ihres Cargolift zurückgegriffen, somit können Sie automatisch auch das passende Ersatzteil auswählen.

Fehlbestellungen und Fehllieferungen können somit vermieden werden.

Bei Bestellung mittels ET-Katalog wählen Sie die von Ihnen benötigten Ersatzteile bitte sorgfältig aus.

Beachten Sie dabei die baulichen Unterschiede der Typen in Abhängigkeit von Baujahr, Ausführung und Variante.

Bitte geben Sie auf dem Bestellformular unbedingt die Serien - Nr. des Bär - Cargolifts an, damit durch Bär vor Lieferung des

Ersatzteils eine entsprechende Plausibilitätsprüfung durchgeführt werden kann. Bitte haben Sie Verständnis dafür, dass Ersatzteile, welche im Gewährleistungsfall benötigt werden, von uns nur dann kostenlos geliefert werden können, wenn die Serien - Nr. des Bär Cargolifts und der Grund des Defekts bei der Bestellung angegeben wird.

### Bei Ersatzteil-Bestellung per Bär Cargolift Internet Shop [www.baer-cargolift.de](http://www.baer-cargolift.de)

erhalten Sie auf den Gesamtbestellwert einen **zusätzlichen ET-Rabatt von 3% und es entfällt die Verpackungspauschale.**

Ersatzteil-/Kleinlieferungen bis zu 51 € werden brutto für netto abgerechnet.

### Prompte Ersatzteillieferung

Für Bestellungen, die uns spätestens um 15.30 Uhr vorliegen, erfolgt der Postversand in der Regel am selben Tag.

Für Nachtexpress-Sendungen ist um 16.30 Uhr Annahmeschluss, die Teile sind in der Regel um 7.00 Uhr des Folgetages bei Ihnen.

### Ersatzteillieferungen per Nachtexpress

Für Lieferungen per Nachtexpress ist von Ihnen mit der Transportfirma ein diebstahlsicherer Lagerplatz zu vereinbaren. Für das Fehlen von Lieferungen übernehmen wir keine Haftung.

### Verpackungspauschale

Für jeden Versand berechnen wir eine Verpackungspauschale von 4,35 €

### Nicht benötigte Ersatzteile

Sie erhalten eine Gutschrift, wenn die Teile original verpackt und "frei" an uns zurück-geschickt werden. Bitte geben Sie Lieferschein- und Rechnungsnummer an. Bei der **unfreien** Rücksendung empfehlen wir Ihnen, unseren DHL-Rückholservice zu nutzen. Bei der Verwendung anderer Versandarten werden die Mehrkosten Ihrer Gutschrift belastet.

Als Bearbeitungskosten berechnen wir 10 % des Listenpreises, jedoch mind. 25 €

Rücksendungen unter einem Warenwert von 75 € sind von der

Rücknahme ausgeschlossen.

### Rücksendungen für Garantie- bzw. Kulanzanträge

Die Teile sind inner halb von 15 Tagen vollständig entleert und gereinigt an uns zurück zu senden. Nutzen sie hierfür bitte unseren Rückholservice welchen sie nach Eingabe ihrer Zugangsdaten über den „Bär plus login“ finden.

Bei Rücklieferungen zu Gewährleistungsanträgen muss der Gewährleistungsantrag beigelegt werden. Der ausgefüllte Anhänger muss am Schadteil angebracht sein.

### Reinigungsarbeiten

bei **nicht** vollständig entleerten und gereinigten Teilen zu Rücklieferungen, stellen wir eine Kostenpauschale von 12,50 € für die Reinigungsarbeiten je Teil in Rechnung.

## Conditions of service parts

### Dear Customer,

Please note the following items when ordering your replacement parts:

When ordering through our Bär Cargolift Internet Shop ([www.baer-cargolift.de](http://www.baer-cargolift.de)), the exact replacement parts can be ordered by checking the original parts list of your Cargolift.

By entering the Cargolift serial number, the original parts list of your Cargolift is retrieved online and you can automatically select the right replacement part.

This avoids erroneous orders and deliveries.

When ordering through the replacement part catalogue, please choose the replacement parts you require carefully.

Pay attention to the constructional differences of the models with regard to year of construction, design and variant.

Please do not fail to enter the serial number of the Bär Cargolift on the order form, so that Bär can perform a corresponding plausibility examination before supplying

the replacement part. We appreciate your understanding that in case of warranty, we can only supply replacement parts free of charge if you have specified the serial number of the Bär Cargolift and the reason for the defect.

### When ordering replacement parts through the Bär Cargolift Internet Shop [www.baer-cargolift.de](http://www.baer-cargolift.de)

you will receive an **additional replacement part discount of 3% and the packaging fees are omitted.**

Replacement parts/small quantity orders for up to 51 € are calculated gross for net.

### Prompt delivery of replacement parts

Orders which are received by 3:30 pm at the latest, are usually shipped by mail on the same day.

Orders for overnight express shipments must be received by 4:30 pm, and you will usually receive the parts by 7:00 am the next day.

### Overnight express replacement part deliveries

For deliveries made by overnight express, you must make arrangements with the shipping company beforehand for a burglar-proof storage site. We assume no liability for missing shipments.

### Packaging fees

We charge a packaging flat rate fee of 4.35 € for each shipment.

### Unnecessary replacement parts

You will receive credit for parts which are returned to us "carriage paid" in their original package.

Please indicate the delivery slip and invoice number. For **carriage forward** returns, we recommend you use our DHL return service. If other means of shipment are used, the additional costs will be charged against your credit.

As processing fees, we charge 10 % of the list price, however at least 25 €

Returns of goods valued at less than 75 € are excluded from redemption.

### Returns for warranty and goodwill applications

The parts must be returned to us in a completely empty and clean condition within 15 days. Please use our return service for this purpose, which you will find in „Bär plus login“ after entering your access data.

For returns for warranty applications, the warranty application itself must be included. The tag must be filled out and attached to the defective part.

### Cleaning

When parts are **not** completely empty and clean when returned to us, we will charge a flat rate fee of 12.50 € per part for cleaning.







**Ihre Ansprechpartner im Kundendienst - Your contact in the After Sales Department**

**Gerd Bär GmbH**

Industriegebiet  
Böllinger Höfe  
Pfaffenstr. 7  
74078 Heilbronn

**Telefon Zentrale**

*Telephone reception*

**+49 7131 2877-0**

**Telefax Kundendienst**

*Fax After Sales Department*

**+49 7131 2877-777**

|   |                     | <b>Durchwahl</b><br><i>Direct dialling</i> | <b>E-Mail</b>                       |
|---|---------------------|--|-------------------------------------|
| <b>Leitung Kundendienst</b><br><i>Manager After Sales Dept.</i> | Reiner Auch         | -700                                       | auch@baer-cargolift.de              |
| <b>Assistenz</b><br><i>Assistance</i>                           | Stefanie Schwab     | -701                                       | schwab@baer-cargolift.de            |
|   | Heinrich Laas       | -702                                       | laas@baer-cargolift.de              |
| <b>Service International</b><br><i>Service International</i>    | Reiner Auch         | -703                                       | auch@baer-cargolift.de              |
| <b>Hotline</b>  | <b>Call Center</b>  | <b>-751</b>                                | <b>hotline@baer-cargolift.de</b>    |
|   | Erwin Mahl          | -710                                       | mahl@baer-cargolift.de              |
|   | Roman Walocha       | -711                                       | walocha@baer-cargolift.de           |
|   | Werner Kikillus     | -712                                       | kikillus@baer-cargolift.de          |
|   | Michael Römer       | -713                                       | roemer@baer-cargolift.de            |
| <b>Verkauf Ersatzteile</b><br><i>Sales spare parts</i>          | <b>Call Center</b>  | <b>-752</b>                                | <b>spareparts@baer-cargolift.de</b> |
|   | Heinrich Laas       | -702                                       | laas@baer-cargolift.de              |
|   | Helene Schweizer    | -721                                       | schweizer@baer-cargolift.de         |
|   | Carola Bauer        | -725                                       | bauer@baer-cargolift.de             |
|   | Veronica Licata     | -727                                       | licata@baer-cargolift.de            |
| <b>Plattformen / platforms</b>                                  | Dimitrios Koassidis | -726                                       | koassidis@baer-cargolift.de         |
|   | Timo Reistenbach    | -720                                       | reistenbach@baer-cargolift.de       |
| <b>Zollabwicklung</b><br><i>Sales spare parts/Export</i>        | Olga Kost           | -722                                       | kost@baer-cargolift.de              |
| <b>Gewährleistung</b><br><i>Warranty claims</i>                 |                     |  | <b>warranty@baer-cargolift.de</b>   |
|   | Veronica DeHärdtner | -723                                       | haerdtnr@baer-cargolift.de          |
|   | Marc Böing          | -724                                       | boeing.marc@baer-cargolift.de       |
| <b>Reparatur/Montage</b><br><i>Repair/Assembly</i>              | Norbert Neuner      | -740                                       | neuner@baer-cargolift.de            |
|   | Michael Seiwerth    | -741                                       | seiwerth@baer-cargolift.de          |
| <b>Service-Schulungen</b><br><i>Service-Training</i>            | Werner Kikillus     | -712                                       | kikillus@baer-cargolift.de          |
|   | Matthias Hofer      | -744                                       | hofer@baer-cargolift.de             |