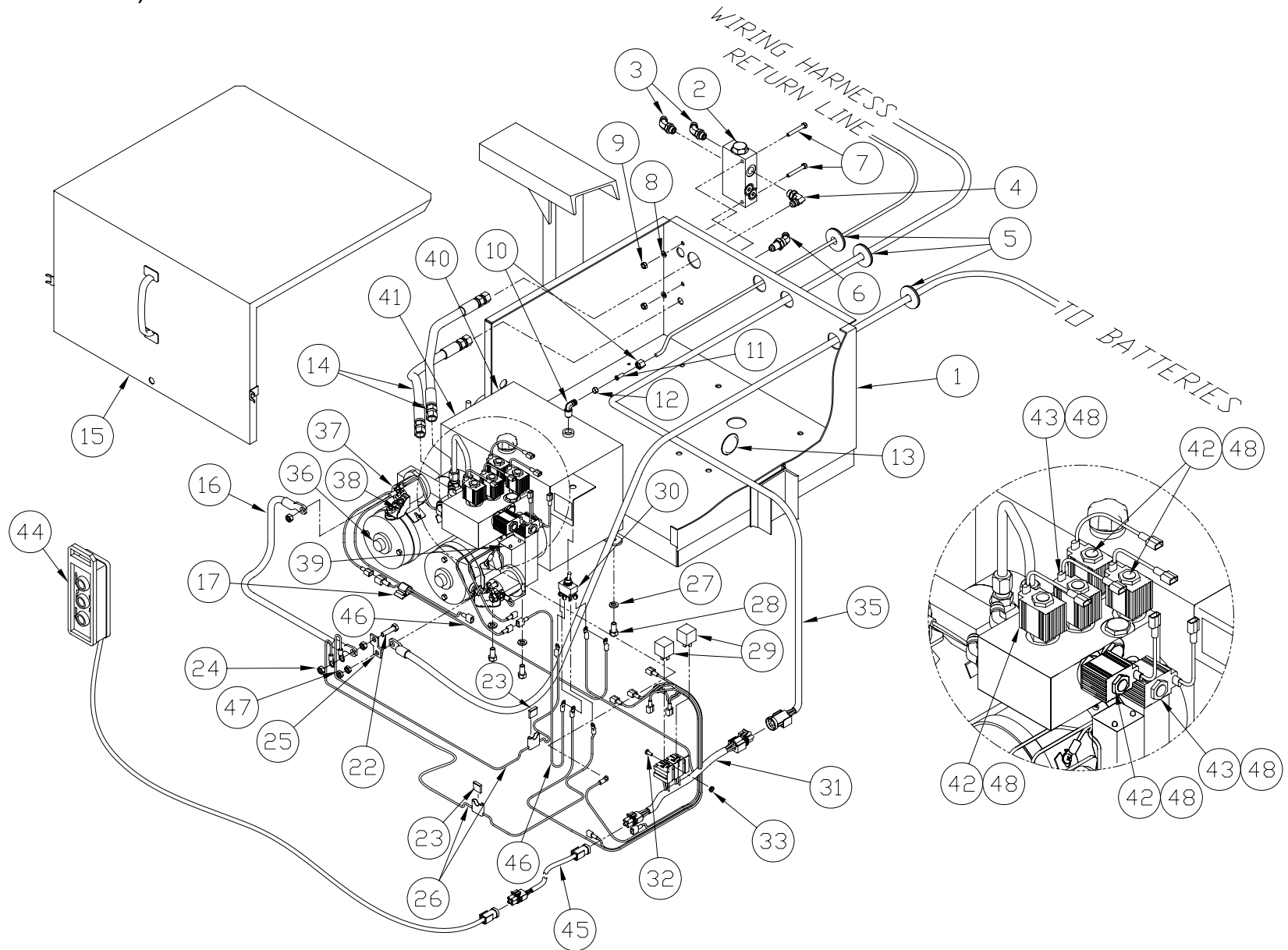


DUAL PUMP HYDRAULIC AND ELECTRICAL LAYOUT
(Built 7-04 thru 6-05)



WALTCO
TRUCK EQUIPMENT CO.
WDL RM SERIES

REVISED: 8-1-09
E.O. 6251
REV. 10

PM-535

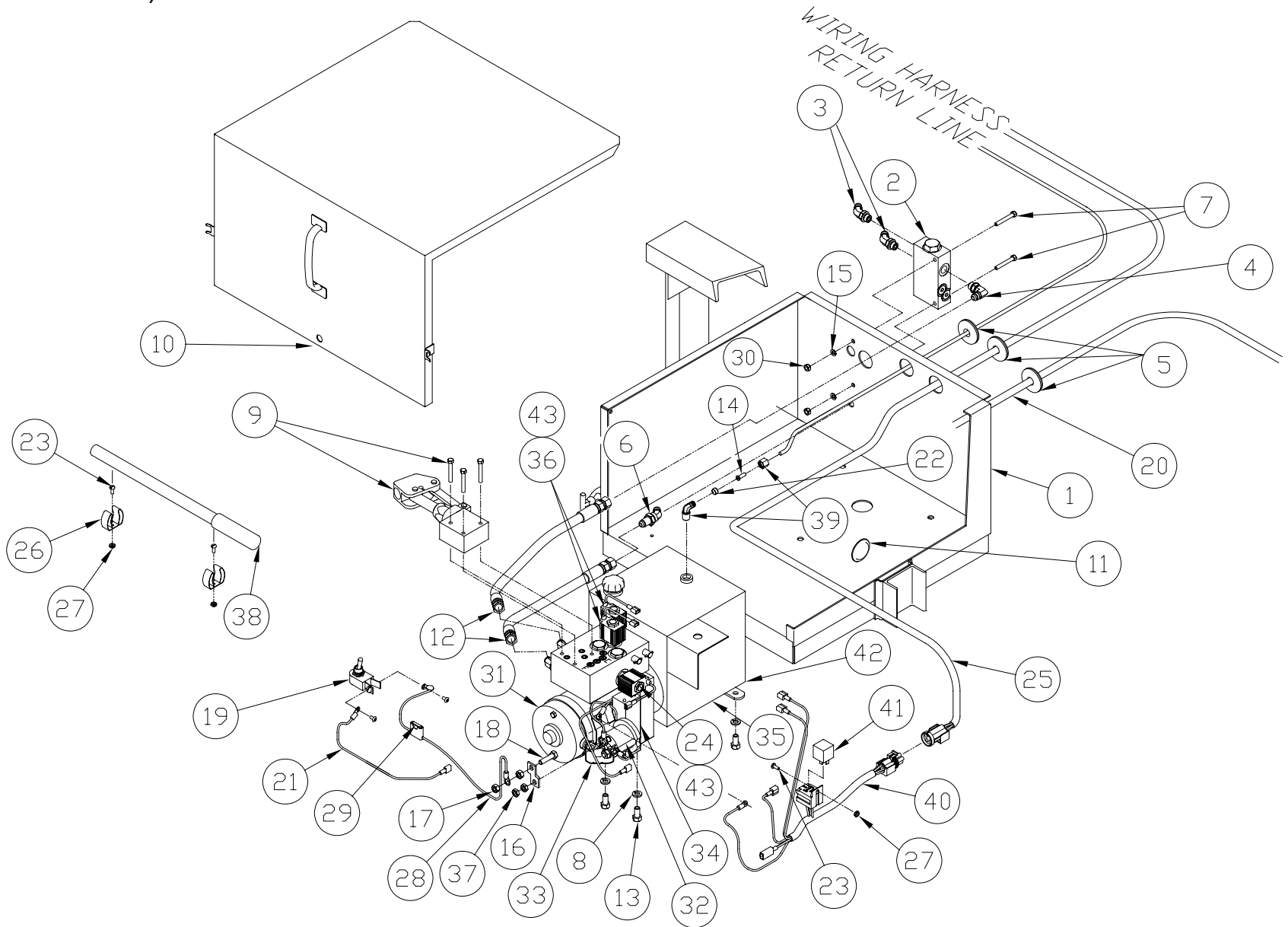
ITEM	PART NUMBER	QTY	DESCRIPTION
1	31590001	1	Hydraulic Enclosure Assy
2	70401675	1	Flow Divider Valve
3	75082866	2	45° Elbow, 9/16"-18 "O" Ring x 9/16"-18 37° Flare
4	75082869	1	90° Elbow, 9/16"-18 "O" Ring x 9/16"-18 37° Flare
5	75089343	3	Grommet, Split Rubber
6	75082867	1	45° Bulkhead Elbow, 9/16"-18 37° Flare Male
7	75086011	2	Hex Bolt, 1/4"-20 x 2" lg.
8	75088051	2	Flat Washer, 1/4"
9	75085161	2	Nylon Locknut, 1/4"-20
10	75082877	1	Elbow, 90°, 1/4" NPT x 1/4" Compression
11	75082874	1	Brass Insert (For Compression Adapter)
12	75082873	1	Delrin Sleeve (For Compression Adapter)
13	75089572	1	Plastic Plug, 1-3/8" Hole
14	75083094	1	Hose Assy, 3/8" ID x 18-1/2" x 9/16"-18 37° Flare Fem.
15	31591001	1	Hydraulic Enclosure Cover (Direct Power Only)
16	10195536	1	Battery Cable Assy, 36"
17	75080062	1	Wire Clip
22	75086217	1	Hex Bolt, 5/16"-18 x 1-1/4" lg.
23	75089853	2	Fuse, 5 Amp
24	75085003	2	Hex Nut, 5/16"-18, Serrated
25	10099500	1	Terminal Strip
26	31491501	2	Wire, Key Switch Control
27	75088081	4	Lock Washer, 3/8"
28	75086055	5	Hex Bolt, 3/8"-16 x 3/4", Grade 5
29	85803921	1	Relay
30	75089832	1	Toggle Switch
31	31491601	1	Motor Wiring Harness
32	75086707	1	Screw, #10-32 x 5/8" lg.
33	75085000	1	Hex Nut, #10-32, Serrated
35	31491902	1	Liftgate Wiring Harness
	31494601	1	Trailer Extension Harness (Trailer Kits Only)
36	7043002-1 ^A	1	Motor
37	75089833 ^A	1	Starter Solenoid
38	75089834 ^A	1	Bus Bar

ITEM	PART NUMBER	QTY	DESCRIPTION
39	10099403 ^A	1	Controller
40	70401501	1	Reservoir
41	70402200	1	Hydraulic Pump Unit – Dual Pump
42	70092503	4	Solenoid Valve, 2 way, 2 pos, w/ Coil
43	70092501	2	Solenoid Valve, 3 way, 2 pos, w/ Coil
44	85803975	1	Auxiliary Push Button Control
45	85803946	1	Auxiliary Control Extension Harness (Trailer Kits Only)
46	31492201	2	Wire, Control
47	75085020	1	Hex jam nut, 5/16"-24
48	70402303	6	Coil, 10V, 25W

PUMP AND ENCLOSURE ASSEMBLIES COMPLETE	
PART NUMBER	DESCRIPTION
31498503	Dual Pump and 21" Enclosure Complete

^A Included in Motor/Solenoid Assembly 70400858

SINGLE PUMP HYDRAULIC AND ELECTRICAL LAYOUT
(Built 3-05 thru 6-05)



WALTCO
TRUCK EQUIPMENT CO.
WDL RM SERIES

REVISED: 8-1-09
E.O. 6251
REV. 02

PM-534B

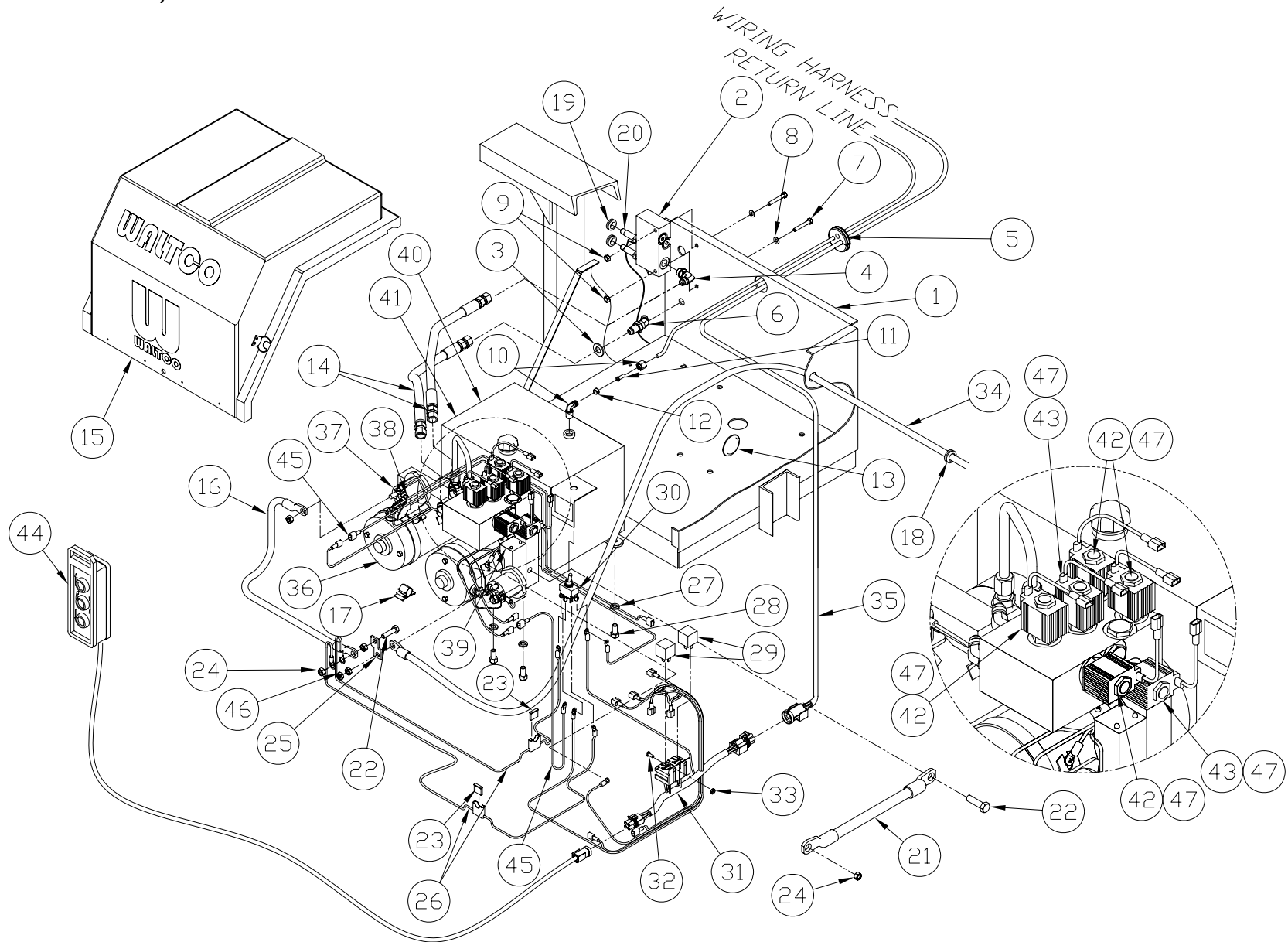
ITEM	PART NUMBER	QTY	DESCRIPTION
1	31590001	1	Hydraulic Enclosure
2	70401675	1	Flow Divider Valve
3	75082866	2	45° Elbow, 9/16"-18 "O" Ring x 9/16"-18 37° Flare
4	75082869	1	90° Elbow, 9/16"-18 "O" Ring x 9/16"-18 37° Flare
5	75089343	3	Grommet, Split Rubber
6	75082867	1	45° Bulkhead Elbow, 9/16"-18 37° Flare Male
7	75086011	2	Hex Bolt, 1/4"-20 x 2" lg.
8	75088081	4	Lock Washer, 3/8"
9	70401650	1	Hand Pump Kit (Optional)
10	31591001	1	Hydraulic Enclosure Cover
11	75089572	1	Plastic Plug, 1-3/8" Hole
12	75083094	2	Hose Assy, 3/8" ID x 18-1/2" x 9/16"-18 37° Flare Fem.
13	75086055	4	Hex Bolt, 3/8"-16 x 3/4", Grade 5
14	75082874	1	Brass Insert (For Compression Adapter)
15	75088051	2	Flat Washer, 1/4"
16	10099500	1	Terminal Strip
17	75085003	2	Hex Nut, 5/16"-18, Serrated
18	75086217	1	Hex Bolt, 5/16"-18 x 1-1/4" lg.
19	75089807	1	Toggle switch
20	80000557	1	25 ft. Battery Cable Kit
	80000555		30 ft. Battery Cable Kit
	80000549		38 ft. Battery Cable Kit
21	31491402	1	Wire, Toggle Switch Control
22	75082873	1	Delrin Sleeve (For Compression Adapter)
23	75086707	3	Screw, #10-32 x 5/8" lg.
24	70092501	1	Solenoid Valve, 3 way, 2 pos, w/ Coil
25	31491902	1	Liftgate Wiring Harness
	31494601	1	Long Trailer Extension Harness
	31494602	1	Short Trailer Extension Harness
26	85803482	2	Holder, Spring Clip (Hand Pump Option Only)
27	75085000	3	Hex Nut, #10-32, Serrated
28	31491501	1	Wire, Toggle Switch Control
29	75089853	1	Fuse, 5 Amp
30	75085161	2	Nylon Locknut, 1/4"-20
31	7043002-1 ^A	1	Motor
32	75089833 ^A	1	Starter Solenoid
33	75089834 ^A	1	Bus Bar
34	10099403 ^A	1	Controller
35	70401501	1	Reservoir
36	70092503	2	Solenoid Valve, 2 way, 2 pos, w/ Coil

ITEM	PART NUMBER	QTY	DESCRIPTION
37	75085020	1	Hex jam nut, 5/16"-24.
38	70401651	1	Hand Pump Handle (included with Item 9)
39	75082877	1	Elbow, 90°, 1/4" NPT x 1/4" Compression
40	31491803	1	Motor Wiring Harness
41	85803921	1	Relay
42	70402025	1	Hydraulic Pump Unit – Single Pump
43	70402303	3	Coil, 10V, 25W

PUMP AND ENCLOSURE ASSEMBLIES COMPLETE	
PART No.	DESCRIPTION
31496503	Single Pump Direct Power & 21" Enclosure

^A Included in Motor/Solenoid Assembly 70400858

DUAL PUMP HYDRAULIC AND ELECTRICAL LAYOUT
(Built 6-05 thru 10-05)



WALTCO
TRUCK EQUIPMENT CO.
WDL RM SERIES

REVISED: 8-1-09
E.O. 6251
REV. 04

PM-535B

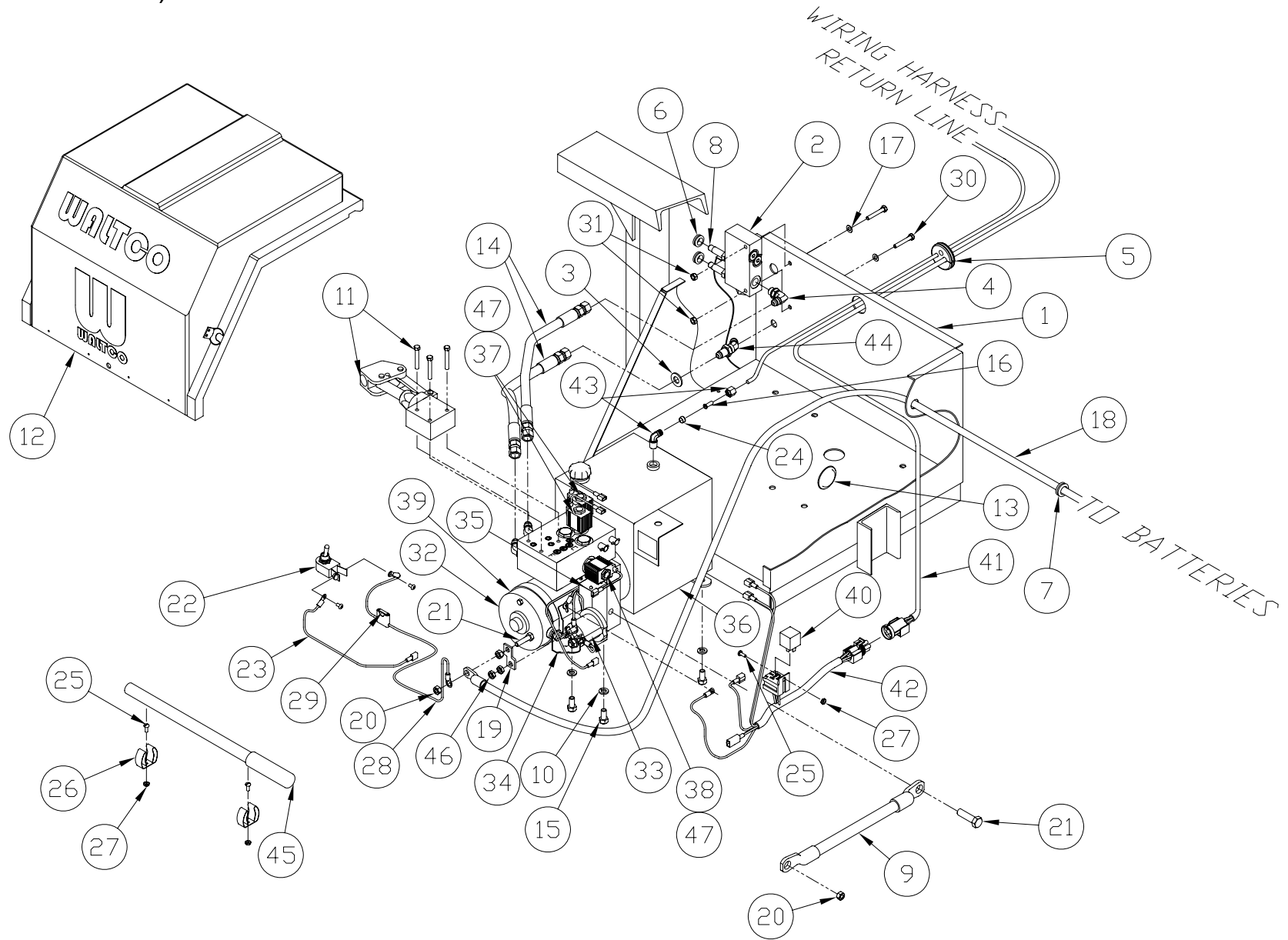
ITEM	PART NUMBER	QTY	DESCRIPTION
1	31590102	1	Hydraulic Enclosure Base
2	70401675	1	Flow Divider Valve
3	75088056	1	Washer, 1/2" I.D. X 1-3/8" O.D.
4	75082869	1	90° Elbow, 9/16"-18 "O" Ring x 9/16"-18 37° Flare
5	75089309	1	Grommet, Return Line/Control Harness
6	75082867	1	45° Bulkhead Elbow, 9/16"-18 37° Flare Male
7	75086011	2	Hex Bolt, 1/4"-20 x 2" lg.
8	75088051	2	Flat Washer, 1/4"
9	75085161	2	Nylon Locknut, 1/4"-20
10	75082877	1	Elbow, 90°, 1/4" NPT x 1/4" Compression
11	75082874	1	Brass Insert (For Compression Adapter)
12	75082873	1	Delrin Sleeve (For Compression Adapter)
13	75089572	1	Plastic Plug, 1-3/8" Hole
14	75083094	2	Hose Assy, 3/8" ID x 18-1/2" x 9/16"-18 37° Flare Fem.
15	31590902	1	Hydraulic Enclosure Cover
16	10195524	1	Battery Cable Assy, 24"
17	75080062	1	Wire Clip
18	75089312	1	Grommet, Battery Cable
19	75089308	2	Grommet, Straight Fittings
20	75082883	2	Adapter, 9/16"-18 "O" Ring x 9/16"-18 37° Flare
21	10195518	1	Ground Cable, 2 Ga. X 18" Lg.
22	75086007	2	Hex Bolt, 5/16"-18 x 1-1/4" lg.
23	75089853	2	Fuse, 5 Amp
24	75085003	3	Hex Nut, 5/16"-18, Serrated
25	10099500	1	Terminal Strip
26	31491501	2	Wire, Key Switch Control
27	75088081	4	Lock Washer, 3/8"
28	75086055	4	Hex Bolt, 3/8"-16 x 3/4", Grade 5
29	85803921	2	Relay
30	75089832	1	Toggle Switch
31	31491601	1	Motor Wiring Harness
32	75086707	1	Screw, #10-32 x 5/8" lg.
33	75085000	1	Hex Nut, #10-32, Serrated
34	80000557	1	25 ft. Battery Cable Kit
	80000555		30 ft. Battery Cable Kit
	80000549		38 ft. Battery Cable Kit

ITEM	PART NUMBER	QTY	DESCRIPTION
35	31491902	1	Liftgate Wiring Harness
	31494601		Long Trailer Extension Harness
	31494602		Short Trailer Extension Harness
36	7043002-1 ^A	2	Motor
37	75089833 ^A	2	Starter Solenoid
38	75089834 ^A	2	Bus Bar
39	10099403 ^A	2	Controller
40	70401501	1	Reservoir
41	70402200	1	Hydraulic Pump Unit – Dual Pump
42	70092503	4	Solenoid Valve, 2 way, 2 pos, w/ Coil
43	70092501	2	Solenoid Valve, 3 way, 2 pos, w/ Coil
44	31499001	1	Auxiliary Push Button Control
45	31492201	2	Wire, Control
46	75085020	1	Hex jam nut, 5/16"-24
47	70402303	6	Coil 10V, 25W

PUMP AND ENCLOSURE ASSEMBLIES COMPLETE	
PART NUMBER	DESCRIPTION
31498504	Dual Pump and 21" Enclosure Complete

^A Included in Motor/Solenoid Assembly 70400858

SINGLE PUMP HYDRAULIC AND ELECTRICAL LAYOUT
(Built 6-05 thru 10-05)



WALTCO
TRUCK EQUIPMENT CO.
WDL RM SERIES

REVISED: 8-1-09
E.O. 6251
REV. 03

PM-534C

ITEM	PART NUMBER	QTY	DESCRIPTION
1	31590102	1	Hydraulic Enclosure, Base
2	70401675	1	Flow Divider Valve
3	75088056	1	Washer, 1/2" I.D. X 1-3/8" O.D.
4	75082869	1	90° Elbow, 9/16"-18 "O" Ring x 9/16"-18 37° Flare
5	75089309	1	Grommet, Control Harness/Return Line
6	75089308	2	Grommet, Straight Fitting
7	75089312	1	Grommet, Battery Cable
8	75082883	2	Adapter, 9/16"-18 "O" Ring x 9/16"-18 37° Flare
9	10195518	1	Ground Cable, 2 Ga. X 18" Lg.
10	75088081	4	Lock Washer, 3/8"
11	70401650	1	Hand Pump Kit (Optional)
12	31590902	1	Hydraulic Enclosure Cover
13	75089572	1	Plastic Plug, 1-3/8" Hole
14	75083094	2	Hose Assy, 3/8" ID x 18-1/2" x 9/16"-18 37° Flare Fem.
15	75086055	4	Hex Bolt, 3/8"-16 x 3/4", Grade 5
16	75082874	1	Brass Insert (For Compression Adapter)
17	75088051	2	Flat Washer, 1/4"
18	80000557	1	25 ft. Battery Cable Kit
	80000555		30 ft. Battery Cable Kit
	80000549		38 ft. Battery Cable Kit
19	10099500	1	Terminal Strip
20	75085003	3	Hex Nut, 5/16"-18, Serrated
21	75086007	2	Hex Bolt, 5/16"-18 x 1-1/4" lg.
22	75089807	1	Toggle switch
23	31491402	1	Wire, Switch Control
24	75082873	1	Delrin Sleeve (For Compression Adapter)
25	75086707	3	Screw, #10-32 x 5/8" lg.
26	85803482	2	Holder, Spring Clip (Hand Pump Option Only)
27	75085000	3	Hex Nut, #10-32, Serrated
28	31491501	1	Wire, Switch Control
29	75089853	1	Fuse, 5 Amp
30	75086011	2	Hex Bolt, 1/4"-20 x 2" lg.
31	75085161	2	Nylon Locknut, 1/4"-20
32	7043002-1 ^A	1	Motor
33	75089833 ^A	1	Starter Solenoid
34	75089834 ^A	1	Bus Bar
35	10099403 ^A	1	Controller
36	70401501	1	Reservoir
37	70092503	2	Solenoid Valve, 2 way, w pos, w/ Coil
38	70092501	1	Solenoid Valve, 3 way, w pos, w/ Coil

ITEM	PART NUMBER	QTY	DESCRIPTION
39	70402025	1	Hydraulic Pump Unit – Single Pump
40	85803921	1	Relay
41	31491902	1	Liftgate Wiring Harness
	31494601		Long Trailer Extension Harness
	31494602		Short Trailer Extension Harness
42	31491803	1	Motor Wiring Harness
43	75082877	1	Elbow, 90°, 1/4" NPT x 1/4" Compression
44	75082867	1	45° Bulkhead Elbow, 9/16"-18 37° Flare Male
45	70401651	1	Hand Pump Handle (included with Hand Pump Kit)
46	75085020	1	Hex jam nut, 5/16"-24
47	70402303	3	Coil, 10V, 25W

PUMP AND ENCLOSURE ASSEMBLIES COMPLETE	
PART No.	DESCRIPTION
31496504	Single Pump Direct Power & 21" Enclosure

^A Included in Motor/Solenoid Assembly 70400858

WDL US HYDRAULICS & CONTROLS

(Built from 10-05 thru 6-08)

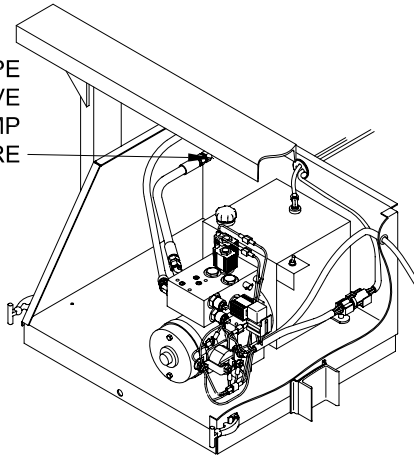
Common Features

- Power up/Gravity down (standard)
- Power up/Power down (Special – contact Engineering for assistance)
- Cylinder closing
- Tail Lights mounted in liftgate Columns
- Push Button Controls on Curb Side

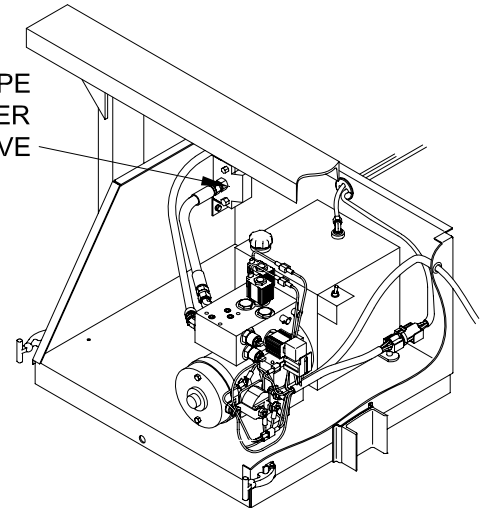
Liftgate mounted Cartridge type Flow Divider Valve (Bottom of curb side rail)
All Hydraulic fittings are JIC Flare
 Built 10-05 thru 8-06

Pump Enclosure mounted Gear type Flow Divider Valve
All Hydraulic fittings are ORFS (O-ring)
 Built from 8-06 thru 6-08

CARTIDGE TYPE
 FLOW DIVIDER VALVE
 NOT IN PUMP
 ENCLOSURE



GEAR TYPE
 FLOW DIVIDER
 VALVE



Liftgate Hydraulic and Electrical Layout

PM-694 (Built 10-05 thru 2-06)

PM-694A (Built 2-06 thru 8-06)

Single Pump and Single Pump w/ Hand Pump
 Hydraulic and Electrical Layout

PM-695 (Built 10-05 thru 2-06)

PM-695A (Built 2-06 thru 6-06)

PM-695B (Built 6-06 thru 8-06)

Dual Pump Hydraulic and Electrical Layout

PM-696 (Built 10-05 thru 2-06)

PM-696A (Built 2-06 thru 8-06)

Liftgate Hydraulic and Electrical Layout

PM-694B (Built 8-06 thru 6-08)

Single Pump and Single Pump w/ Hand Pump
 Hydraulic and Electrical Layout

PM-695C (Built 8-06 thru 6-08)

Dual Pump Hydraulic and Electrical Layout

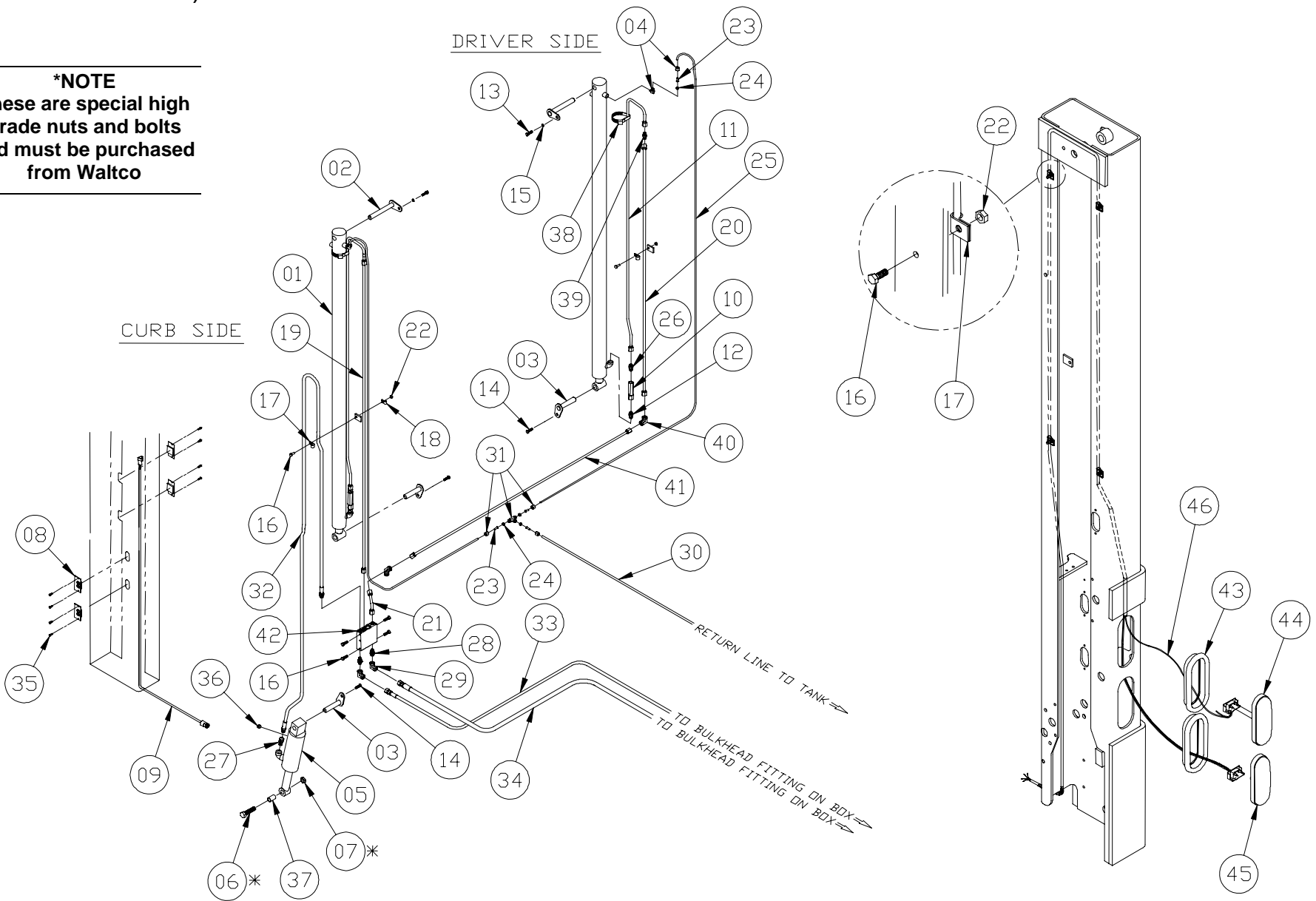
PM-696B (Built 8-06 thru 6-08)

Rev. 01 8/10

[Click here for list of liftgate serial numbers, organized by approximate ship dates.](#)

LIFTGATE HYDRAULIC & ELECTRICAL LAYOUT
(Built 10-05 thru 2-06)

***NOTE**
These are special high grade nuts and bolts and must be purchased from Waltco



WALTCO LIFT CORP.
WDLUS

REVISED: 8-1-09
E.O. 6251
REV. 02

PM-694

ITEM	PART NUMBER	QTY	DESCRIPTION
01	31780050	2	Lift Cylinder
02	31470501	2	Upper Lift Cylinder Pin
03	31471501	3	Lower Lift Cylinder Pin
04	75082877	2	1/4" NPT x 1/4" Compression 90° Elbow
05	32480012	1	Closer Cylinder
06	75086236	1	Lower Closer Cylinder Bolt (Special 5/8"-18UNF x 2-1/2" Lg. Grade 8)
07	75085183	1	5/8"-18 Lock Nut (Grade 8)
08	10099360	4	Switch
09	31791000	1	Control Wiring Harness
10	85803806	2	Pressure Compensated Flow Control Valve
11	31793001	2	Fluid Line Assembly
12	75082614	2	1/4" NPT x 1/4" BPT Male Pipe Nipple
13	75086055	2	3/8"-16 x 3/4" Hex Head Screw
14	75086846	3	3/8"-16 x 3/4" Hex Thread Rolling Screw
15	75088081	2	3/8" Lock Washer
16	75086062	14	1/4"-20 x 3/4" Lg. Hex Bolt (Grade 5)
17	75083044	9	Hose Clamp Insulated 1/2" I.D.
18	75082881	2	Hose Clamp Insulated 3/8" I.D.
19	31793002	1	Fluid Line Assembly, Straight, Curb Side
20	31793004	1	Fluid Line Assembly, Straight, Driver Side
21	31793006	1	Fluid Line Assembly, Short, Curb Side
22	75085161	10	1/4"-20 Hex Locknut
23	75082874	5	Brass Insert (For Compression Fittings)
24	75082873	5	Brass Insert (For Compression Fittings)
25	31493101	2	1/4" O.D. x 192" Lg. Nylon Tubing
26	85803804	2	1/4" NPT x 1/4" Tube Adapter
27	75082871	1	1/4"-18 NPT Male x 9/16" 37° Flare Female Swivel Adapter
28	75083029	2	9/16" Male JIC x 9/16" SAE Adapter
29	75083028	2	9/16" Male JIC x 9/16" Female 90° Elbow Swivel Adapter
30	82021039	1	1/4" O.D. x 14 ft. Nylon Tubing (for Trucks)
	82021039		1/4" O.D. x 14 ft. Nylon Tubing (for Trailers)
31	75082876	1	1/4" Compression Tee
32	31793007	1	9/16"-18 37° Flare Male x 9/16"-18 "O" Ring male x 170" Lg. Hose Assembly

ITEM	PART NUMBER	QTY	DESCRIPTION
33	75083103	1	9/16"-18 37° Flare Female x 9/16"-18 37° Flare female x 1/4" I.D. x 76" Lg. Hose Assembly (Truck Kit Only)
	75083104		9/16"-18 37° Flare Female x 9/16"-18 37° Flare female x 1/4" I.D. x 372" Lg. Hose Assembly (Trailer Kit Only)
34	75083101	1	9/16"-18 37° Flare Female x 9/16"-18 37° Flare female x 3/8" I.D. x 65" Lg. Hose Assembly (Truck Kit Only)
	75083102		9/16"-18 37° Flare Female x 9/16"-18 37° Flare female x 3/8" I.D. x 372" Lg. Hose Assembly (Trailer Kit Only)
35	75085997	8	1/4"-20 x 5/8" Lg. Flat Socket Head Screw
36	75089315	1	Breather
37	32481712	1	3/4" O.D. x 5/8" I.D. x 1-1/4" Lg. Bearing
38	75089299	2	Cable Tie
39	75083027	2	9/16" Male JIC x 9/16" Male JIC Adapter
40	75083026	2	9/16" Male JIC x 9/16" Male JIC 90° Elbow
41	31793003	1	Fluid Tube, Cross Beam, 96" O.A.W.
	31793005		Fluid Tube, Cross Beam, 102" O.A.W.
42	70401680 ^A	1	Flow Divider Valve (See Note A)
43	75089376	4	Light Grommet
44	75089374	2	Back Up Light (Truck)
	75089428		Stop / Turn / Tail L.E.D. Light (Trailer)
45	75089428	2	Stop / Turn / Tail L.E.D. Light (Trailer)
	75089428		Stop / Turn / Tail L.E.D. Light (Trailer)
46	31791550	2	Harness (Truck)
	31791500		Harness (Trailer)

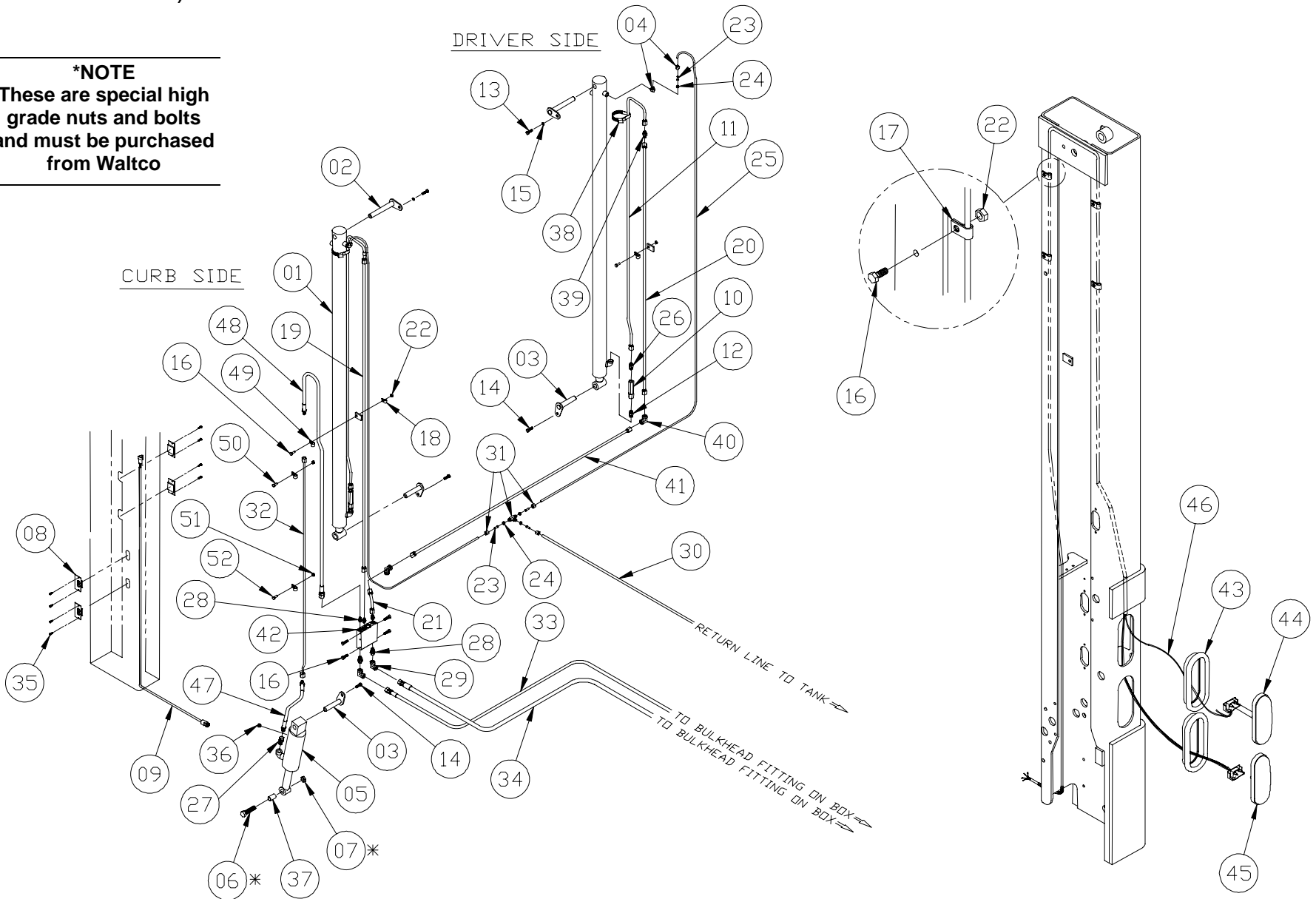
NOTES:

A. Part is no longer available. Use kit 80001123. Contact Waltco Parts Dept. for more information.

LIFTGATE HYDRAULIC & ELECTRICAL LAYOUT

(Built 2-06 thru 8-06)

***NOTE**
These are special high grade nuts and bolts and must be purchased from Waltco



WALTCO LIFT CORP.
WDLUS

NOTES:

A. Part is no longer available. Use kit 80001123. Contact Waltco Parts Dept. for more information.

REVISED: 8-1-09
E.O. 6251
REV. 04

PM-694A

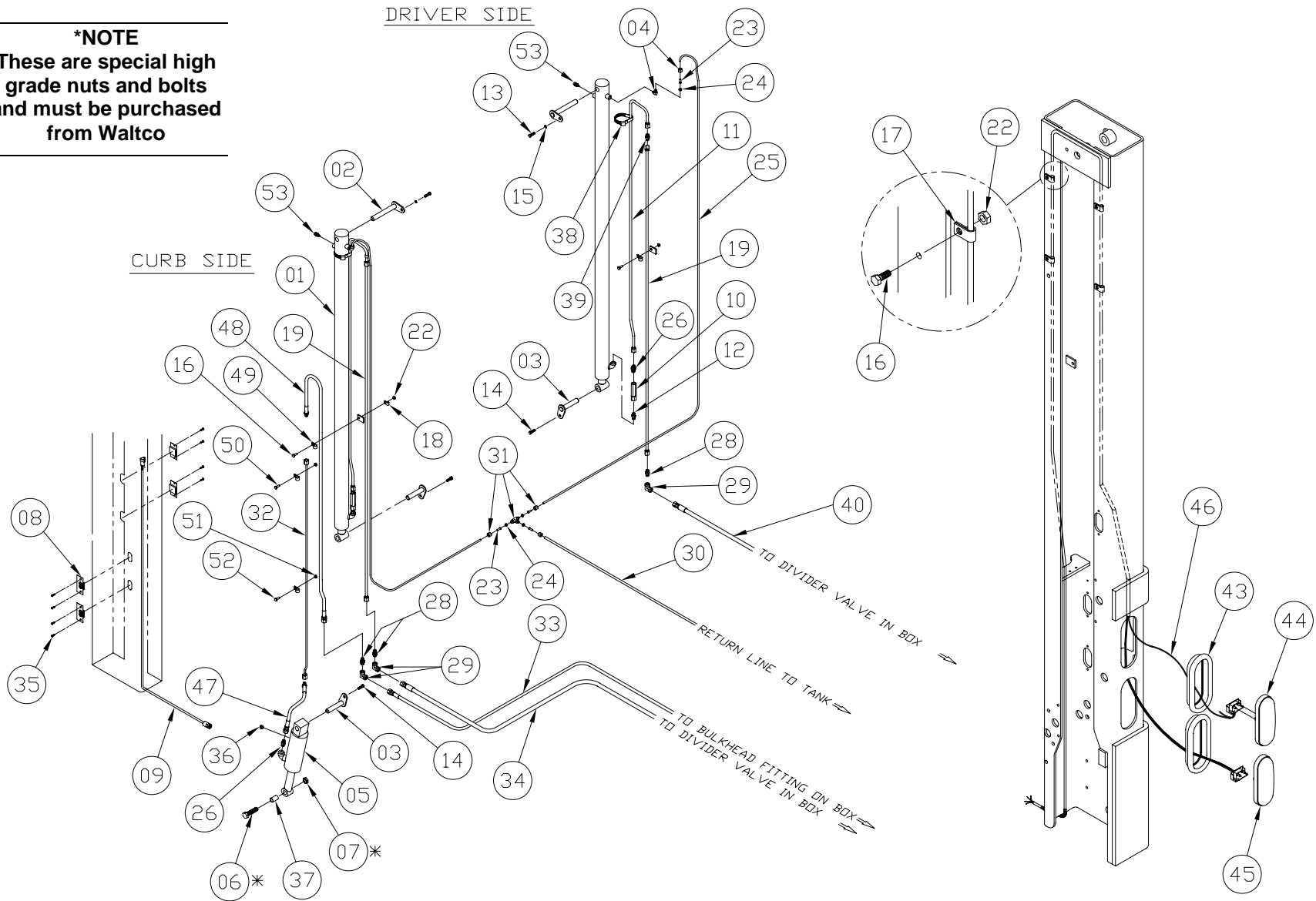
ITEM	PART NUMBER	QTY	DESCRIPTION
01	31780050	2	Lift Cylinder
02	31470501	2	Upper Lift Cylinder Pin
03	31471501	3	Lower Lift Cylinder Pin
04	75082877	2	1/4" NPT x 1/4" Compression 90° Elbow
05	32480012	1	Closer Cylinder
06	75086236	1	Lower Closer Cylinder Bolt (Special 5/8"-18UNF x 2-1/2" Lg. Grade 8)
07	75085183	1	5/8"-18 Lock Nut (Grade 8)
08	10099360	4	Switch
09	31791002	1	Control Wiring Harness
10	85803806	2	Pressure Compensated Flow Control Valve
11	31793001	2	Fluid Line Assembly
12	75082614	2	1/4" NPT x 1/4" BPT Male Pipe Nipple
13	75086055	2	3/8"-16 x 3/4" Hex Head Screw
14	75086846	3	3/8"-16 x 3/4" Hex Thread Rolling Screw
15	75088081	2	3/8" Lock Washer
16	75086062	14	1/4"-20 x 3/4" Lg. Hex Bolt (Grade 5)
17	75082881	8	Hose Clamp Insulated 3/8" I.D.
18	75082879	4	Hose Clamp Insulated 1/4" I.D.
19	31793002	1	Fluid Line Assembly, Straight, Curb Side
20	31793004	1	Fluid Line Assembly, Straight, Driver Side
21	31793006	1	Fluid Line Assembly, Short, Curb Side
22	75085161	10	1/4"-20 Hex Locknut
23	75082874	5	Brass Insert (For Compression Fittings)
24	75082873	5	Brass Insert (For Compression Fittings)
25	31493101	2	1/4" O.D. x 192" Lg. Nylon Tubing
26	85803804	2	1/4" NPT x 1/4" Tube Adapter
27	75082871	1	1/4"-18 NPT Male x 9/16" 37° Flare Female Swivel Adapter
28	75083029	5	9/16" Male JIC x 9/16" SAE Adapter
29	75083028	2	9/16" Male JIC x 9/16" Female 90° Elbow Swivel Adapter
30	82021039	1	1/4" O.D. x 14 ft. Nylon Tubing (for Trucks)
	82021039		1/4" O.D. x 14 ft. Nylon Tubing (for Trailers)
31	75082876	1	1/4" Compression Tee
32	31793008	1	Hard line for closer hose
33	75083103	1	9/16"-18 37° Flare Female x 9/16"-18 37° Flare female x 1/4" I.D. x 76" Lg. Hose Assembly (Truck Kit Only)

ITEM	PART NUMBER	QTY	DESCRIPTION
	75083104		9/16"-18 37° Flare Female x 9/16"-18 37° Flare female x 1/4" I.D. x 372" Lg. Hose Assembly (Trailer Kit Only)
34	75083101	1	9/16"-18 37° Flare Female x 9/16"-18 37° Flare female x 3/8" I.D. x 65" Lg. Hose Assembly (Truck Kit Only)
	75083102		9/16"-18 37° Flare Female x 9/16"-18 37° Flare female x 3/8" I.D. x 372" Lg. Hose Assembly (Trailer Kit Only)
35	75085997	8	10-24 x 5/8" Lg. Flat Socket Head Screw
36	75089315	1	Breather
37	32481712	1	3/4" O.D. x 5/8" I.D. x 1-1/4" Lg. Bearing
38	75089299	2	Cable Tie
39	75083027	2	9/16" Male JIC x 9/16" Male JIC Adapter
40	75083026	2	9/16" Male JIC x 9/16" Male JIC 90° Elbow
41	31793003	1	Fluid Tube, Cross Beam, 96" O.A.W.
	31793005		Fluid Tube, Cross Beam, 102" O.A.W.
42	70401680 ^A	1	Flow Divider Valve comp. (See Note A)
	70401681 ^A	1	Cartridge valve (See Note A)
43	75089376	4	Light Grommet
44	75089374	2	Back Up Light (Truck)
	75089428		Stop / Turn / Tail L.E.D. Light (Trailer)
45	75089428	2	Stop / Turn / Tail L.E.D. Light (Trailer)
	75089428		Stop / Turn / Tail L.E.D. Light (Trailer)
46	31791550	2	Harness (Truck)
	31791500		Harness (Trailer)
47	31793010	1	Short Closer Hose 14"
48	80001113	1	Long Closer Hose 93", KIT.
49	75083047	1	Hose Clamp Insulated 3/4" I.D.
50	75086702	1	1/4"-20 x 5/8" Lg. Pan Head Screw
51	75085001	2	1/4"-20 Serrated Hex Nut
52	75086000	1	1/4"-20 x 5/8" Lg. Flat Head Socket Screw

LIFTGATE HYDRAULIC & ELECTRICAL LAYOUT

(Built 8-06 thru 6-08)

***NOTE**
These are special high grade nuts and bolts and must be purchased from Waltco



WALTCO LIFT CORP.
WDLUS

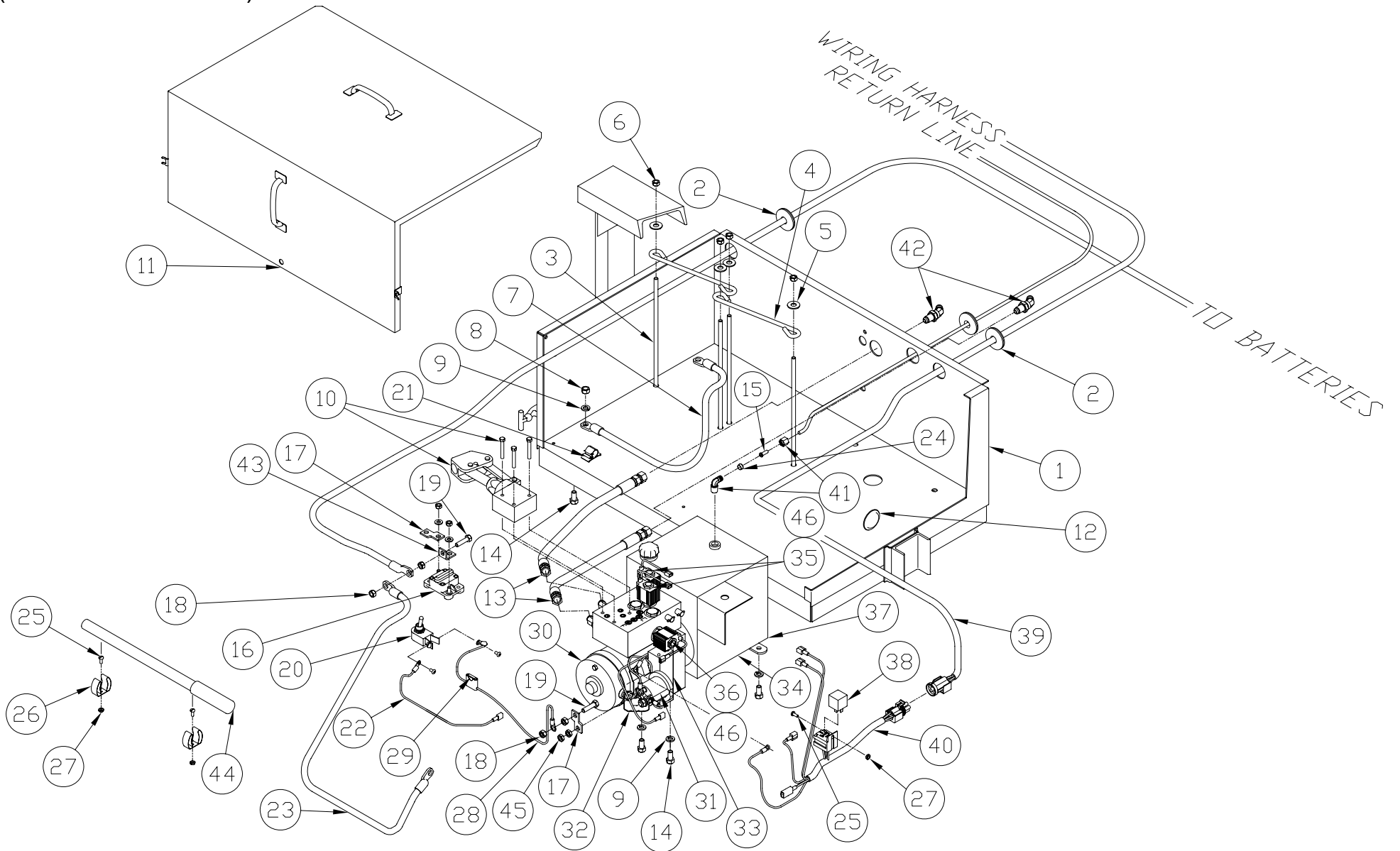
REVISED: 8-1-09
E.O. 6251
REV. 04

PM-694B

ITEM	PART NUMBER	QTY	DESCRIPTION
01	31780050	2	Lift Cylinder
02	31470501	2	Upper Lift Cylinder Pin
03	31471501	3	Lower Lift Cylinder Pin
04	75082877	2	1/4" NPT x 1/4" Compression 90° Elbow
05	32480012	1	Closer Cylinder
06	75086236	1	Lower Closer Cylinder Bolt (Special 5/8"-18UNF x 2-1/2" Lg. Grade 8)
07	75085183	1	5/8"-18 Lock Nut (Grade 8)
08	10099360	4	Switch W/ decal applied
09	31791002	1	Control Wiring Harness
10	85803806	2	Pressure Compensated Flow Control Valve
11	31793011	2	Fluid Line Assembly
12	75082614	2	1/4" NPT x 1/4" BPT Male Pipe Nipple
13	75086055	2	3/8"-16 x 3/4" Hex Head Screw
14	75086846	3	3/8"-16 x 3/4" Hex Thread Rolling Screw
15	75088081	2	3/8" Lock Washer
16	75086062	14	1/4"-20 x 3/4" Lg. Hex Bolt (Grade 5)
17	75082881	8	Hose Clamp Insulated 3/8" I.D.
18	75082879	4	Hose Clamp Insulated 1/4" I.D.
19	31793022	2	Fluid Line Assembly
22	75085161	10	1/4"-20 Hex Locknut
23	75082874	5	Brass Insert (For Compression Fittings)
24	75082873	5	Brass Insert (For Compression Fittings)
25	31493101	2	1/4" O.D. x 192" Lg. Nylon Tubing
26	75083335	3	Male Adapter, 11/16"-16 ORS x 1/4" NPT
28	75083333	3	Bulkhead Union, 11/16"-16 ORS
29	75083334	3	90° Elbow Swivel, 11/16"-16 ORS
30	82021039	1	1/4" O.D. x 14 ft. Nylon Tubing (for Trucks)
	82021039		1/4" O.D. x 31 ft. Nylon Tubing (for Trailers)
31	75082876	1	1/4" Compression Tee
32	31793028	1	Hard line for closer hose
33	75083605	1	11/16"-16 ORS Female x 1/4" I.D. x 76" Lg. Hose Assembly (Truck Kit Only)
	75083601		11/16"-16 ORS Female x 1/4" I.D. x 372" Lg. Hose Assembly (Long Trailer Kit Only)

ITEM	PART NUMBER	QTY	DESCRIPTION
34	75083602	1	11/16"-16 ORS Female x 3/8" I.D. x 76" Lg. Hose Assembly (Truck Kit Only)
	75083600		11/16"-16 ORS Female x 3/8" I.D. x 372" Lg. Hose Assembly (Long Trailer Kit Only)
35	75085997	8	10-24 x 5/8" Lg. Flat Socket Head Screw
36	75089315	1	Breather
37	32481712	1	3/4" O.D. x 5/8" I.D. x 1-1/4" Lg. Bearing
38	75089299	2	Cable Tie
39	75083338	2	Union, 11/16"-16 ORS
40	75083603	1	11/16"-16 ORS Female x 3/8" I.D. x 153" Lg. Hose Assembly (Truck Kit Only)
	75083600		11/16"-16 ORS Female x 3/8" I.D. x 372" Lg. Hose Assembly (Long Trailer Kit Only)
43	75089376	4	Light Grommet
44	75089374	2	Back Up Light (Truck)
	75089428		Stop / Turn / Tail L.E.D. Light (Trailer)
45	75089428	2	Stop / Turn / Tail L.E.D. Light (Trailer)
	75089428		Stop / Turn / Tail L.E.D. Light (Trailer)
46	31791550	2	Harness (Truck)
	31791500		Harness (Trailer)
47	31793030	1	Short Closer Hose 14"
48	80001136	1	Long Closer Hose 93-3/4", KIT.
49	75083047	1	Hose Clamp Insulated 3/4" I.D.
50	75086702	1	1/4"-20 x 5/8" Lg. Pan Head Screw
51	75085001	2	1/4"-20 Serrated Hex Nut
52	75086000	1	1/4"-20 x 5/8" Lg. Flat Head Socket Screw
53	31793601	2	3/8"-24 UNF Bleeder Valve

SINGLE PUMP & SINGLE PUMP w/ HAND PUMP HYADRAULIC & ELECTRICAL LAYOUT
(Built 10-05 thru 2-06)



WALTCO LIFT CORP.
WDLUS

REVISED: 8-1-09
E.O. 6251
REV. 02

PM-695

ITEM	PART NUMBER	QTY	DESCRIPTION
1	31590001	1	Hydraulic Enclosure Assy (Direct Power Only)
	31690001	1	Hydraulic Enclosure Assy (Aux. Batteries Only)
2	75089343	3	Grommet, Split Rubber
3	10291804	2	Bar, Battery Retainer (Aux. Batteries Only)
4	10291403	2	Bar, Battery Retainer (Aux. Batteries Only)
5	75088053	4	Flat Washer, 3/8" (Aux. Batteries Only)
6	75085177	4	Nylon Locknut, 5/16"-18 (Aux. Batteries Only)
7	10195518	1	Battery Cable Assy, 18" (Aux. Batteries Only)
8	75085005	1	Hex Nut, 3/8"-16, Serrated
9	75088081	5	Lock Washer, 3/8"
10	70401650	1	Hand Pump Kit (Hand Pump Option Only)
11	31591001	1	Hydraulic Enclosure Cover (Direct Power Only)
	31691001	1	Hydraulic Enclosure Cover (Aux. Batteries Only)
12	75089572	1	Plastic Plug, 1-3/8" Hole
13	75083094	2	Hose Assy, 3/8" ID x 18-1/2" x 9/16"-18 37° Flare Fem.
14	75086055	5	Hex Bolt, 3/8"-16 x 3/4", Grade 5
15	75082874	1	Brass Insert (For Compression Adapter)
16	75089243 ^A	1	Circuit Breaker, 150 Amp
17	10099500	2	Terminal Strip
18	75085003	4	Hex Nut, 5/16"-18, Serrated
19	75086217	2	Hex Bolt, 5/16"-18 x 1-1/4" lg.
20	75089807	1	Toggle switch
21	75080062	3	Wire Clip
22	31491402	1	Wire, Key Switch Control
23	10195536	1	Battery Cable Assy, 36"
24	75082873	1	Delrin Sleeve (For Compression Adapter)
25	75086707	5	Screw, #10-32 x 5/8" lg.
26	85803482	2	Holder, Spring Clip (Hand Pump Option Only)
27	75085000	5	Hex Nut, #10-32, Serrated
28	31491501	1	Wire, Key Switch Control
29	75089853	1	Fuse, 5 Amp
30	7043002-1 ^A	1	Motor
31	75089833 ^A	1	Starter Solenoid
32	75089834 ^A	1	Bus Bar
33	10099403 ^A	1	Controller
34	70401501	1	Reservoir
35	70092503	2	Solenoid Valve, 2 way, 2 Pos w/ Coil
36	70092501	1	Solenoid Valve, 3 way, 2 Pos w/ Coil
37	70402085	1	Hydraulic Pump Unit - Single Pump

ITEM	PART NUMBER	QTY	DESCRIPTION
38	85803921	1	Relay
39	31791000	1	Liftgate Wiring Harness
	31494601	1	Trailer Extension Harness (Trailer Kits Only)
40	31491803	1	Motor Wiring Harness
41	75082877	1	Elbow, 90°, 1/4" NPT x 1/4" Compression
42	75082867	2	45° Bulkhead Elbow, 9/16"-18 37° Flare Male
43	10099501	1	Terminal Strip (90° formed)
44	70401651	1	Hand Pump Handle (included with Item 13)
45	75085020	1	Hex jam nut, 5/16"-24.
46	70402303	3	Coil, 10V, 25W

PUMP AND ENCLOSURE ASSEMBLIES COMPLETE	
PART No.	DESCRIPTION
31796504	Single Pump Direct Power & 21" Enclosure
31796603	Single Pump Aux. Battery & 31" Enclosure
31797503	Single Pump w/HP Direct Power & 21" Enclosure
31797603	Single Pump w/HP Aux. Battery & 31" Enclosure

^A Included in Motor/Solenoid Assembly 70400858

