

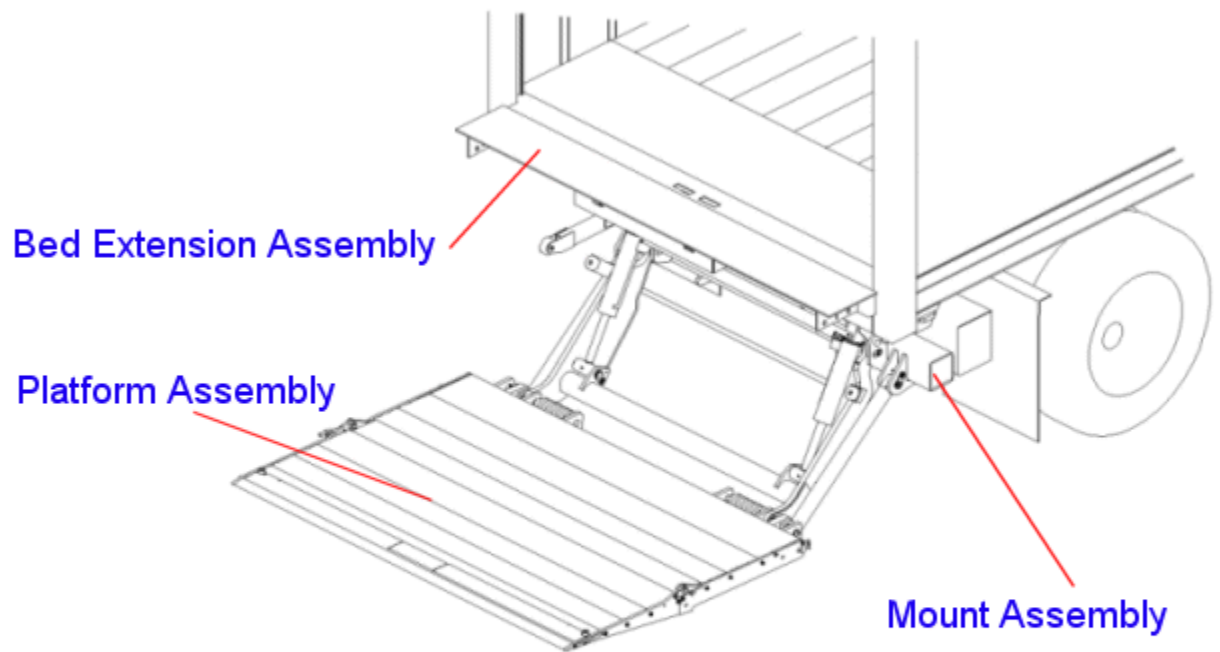


HLF-Series

Click the appropriate link below for the major component of the liftgate for which you are trying to find the correct part. If you are unsure of the name of the part in Waltco terminology, click the "Liftgate Terminology" link and it will take you to a document showing a picture of the liftgate with the common Waltco names for each of the parts.

HLF-Series

[HLF Liftgate Terminology](#)

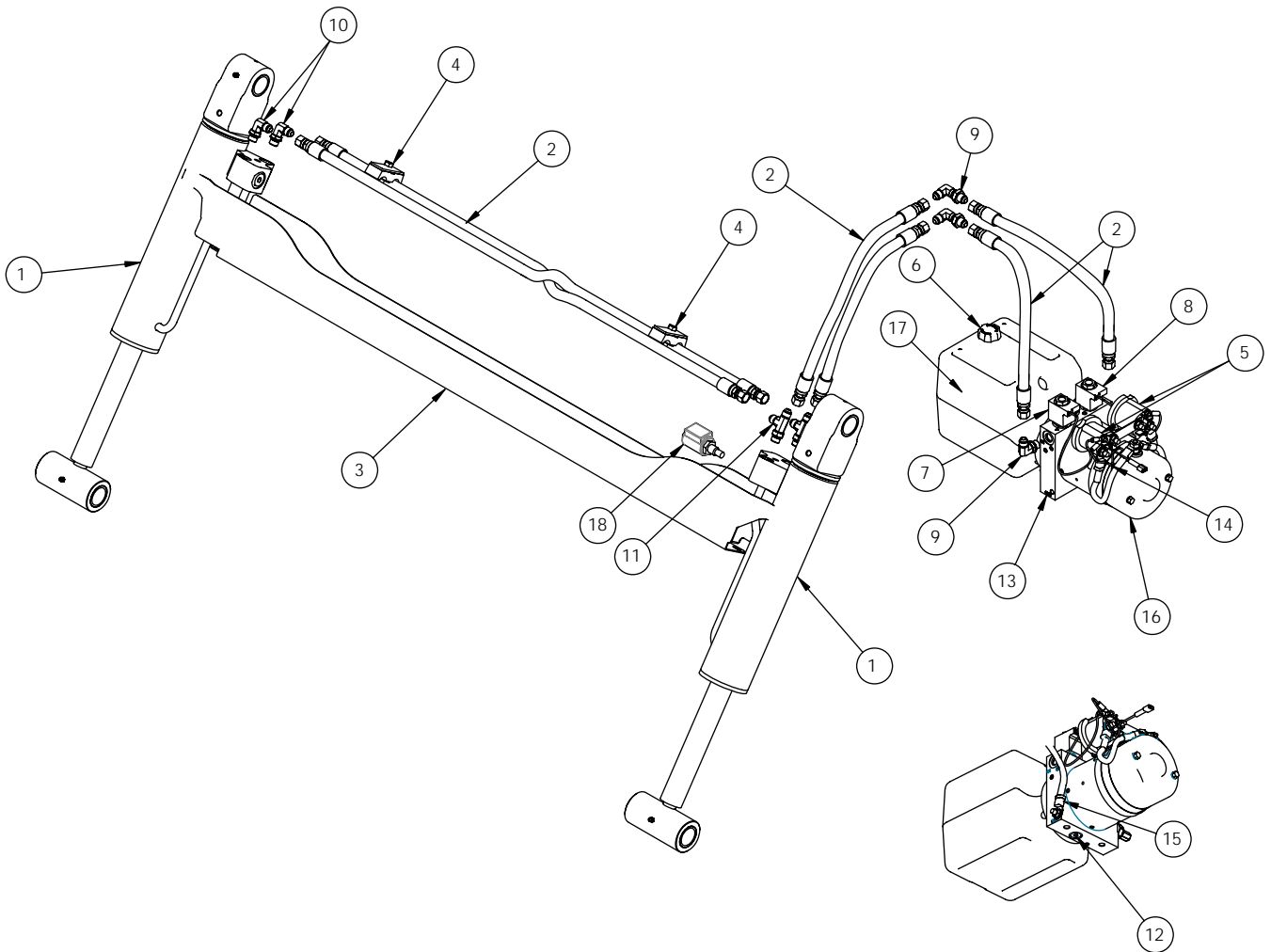


[Hydraulic Layouts](#)
[Electric Layouts, Schematics,
Pumps & Cylinders](#)
[Tech Tips](#)

HLF Series Liftgate Terminology

1. Hydraulic Cylinder
2. Hose Assembly
3. Hose Guard
4. Dual Hose Clamp
5. Pump Unit Starter Solenoid
6. Breather Cap
7. Lowering Valve Coil
8. Raise Valve Coil
9. Bulkhead Elbow, 90 Deg.

10. 90 Deg. Hose Fitting
11. Tee, Hose Fitting
12. Drain Plug
13. Pump
14. Thermal Switch (Inside Motor)
15. Ground Cable
16. Pump Unit Motor
17. Pump Unit Reservoir
18. Lock Valve

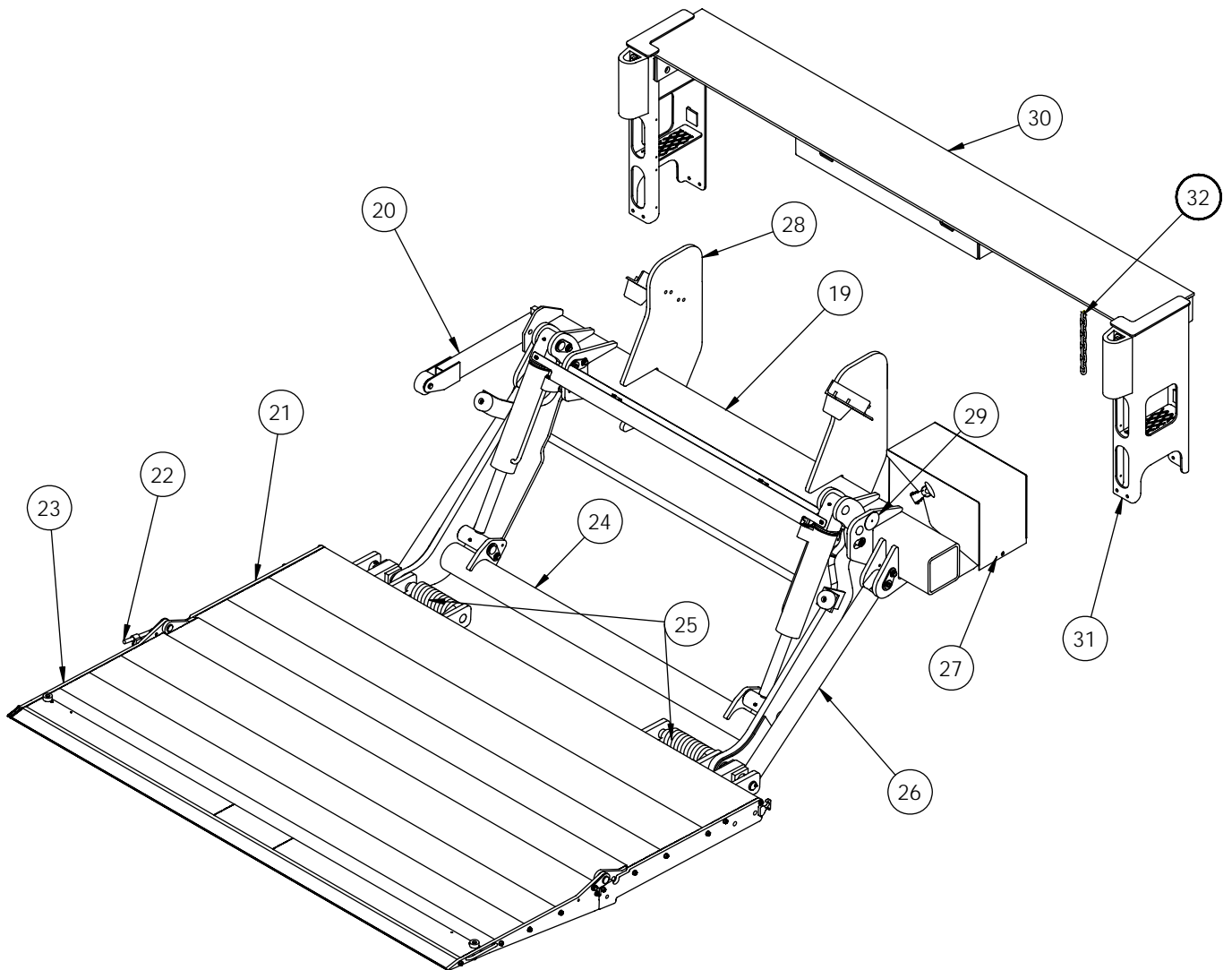


GR02778

HLF Series Liftgate Terminology

- 19. Mount Tube Assembly
- 20. Parting Bar Assembly
- 21. Deck Assembly
- 22. Torsion Bar
- 23. Deck Extension Assembly
- 24. Lift Arm Assembly
- 25. Folding Assist Springs
- 26. Parallel Arm

- 27. Pump Box
- 28. Mount Plate
- 29. Spec Tag
- 30. Bed Extension
- 31. Dock Bumper
- 32. Transit Chain



GR02779

HLF Series Liftgate Terminology

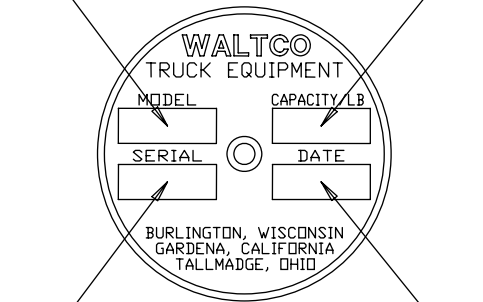
Explanation of Specification Tag

Model Name	Description	Capacity
HLF	Twin Cylinder	2500 lb.
HLF	Twin Cylinder	3000 lb.
HLF	Twin Cylinder	4000 lb.
HLF	Twin Cylinder	5000 lb.

MODEL NAME

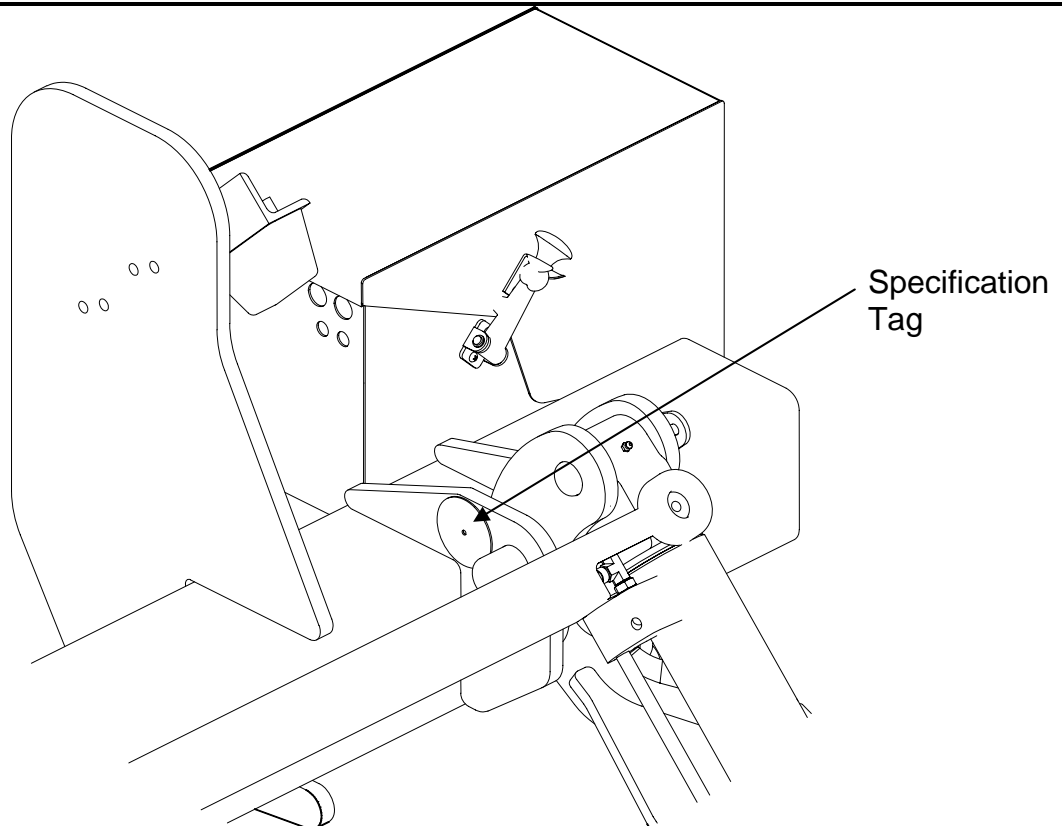
RATED CAPACITY
Based on an evenly distributed load on the platform flat surface.

SERIAL NUMBER
of liftgate. To be used when ordering parts or when contacting Waltco for service or warranty questions



DATE OF MANUFACTURE
Month / Year

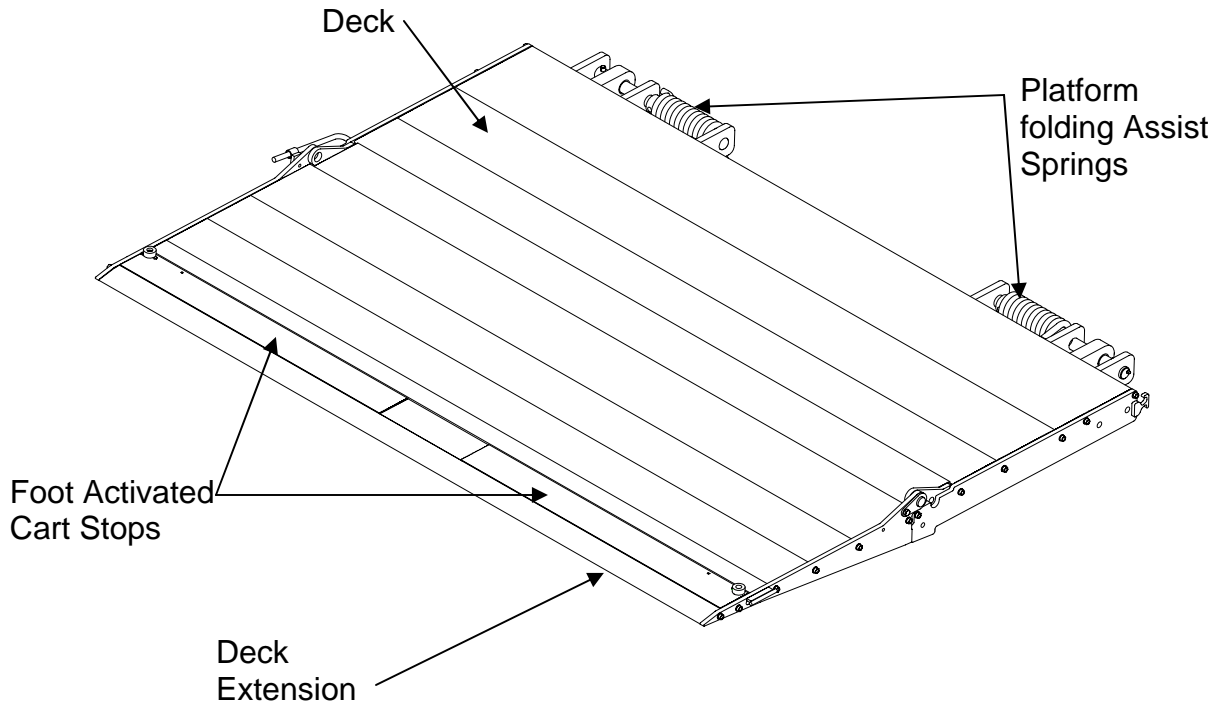
GR00241



GR02780

HLF SERIES PLATFORM ASSEMBLY

Aluminum Platform



Common Features

- Wide arm design
- Platforms are 60" x 84" Wide with Wedge Type Ramps
- Platforms available Aluminum only
- Two assist springs
- Optional Foot Activated Split Cart Stops Available in four Lifting Capacities:
 - HLF-25 – 2500 lb.
 - HLF-30 – 3000 lb.
 - HLF-40 – 4000 lb.
 - HLF-50 – 5000 lb.
- Torsion assisted Deck Extension folding

Aluminum Platform

PM-793

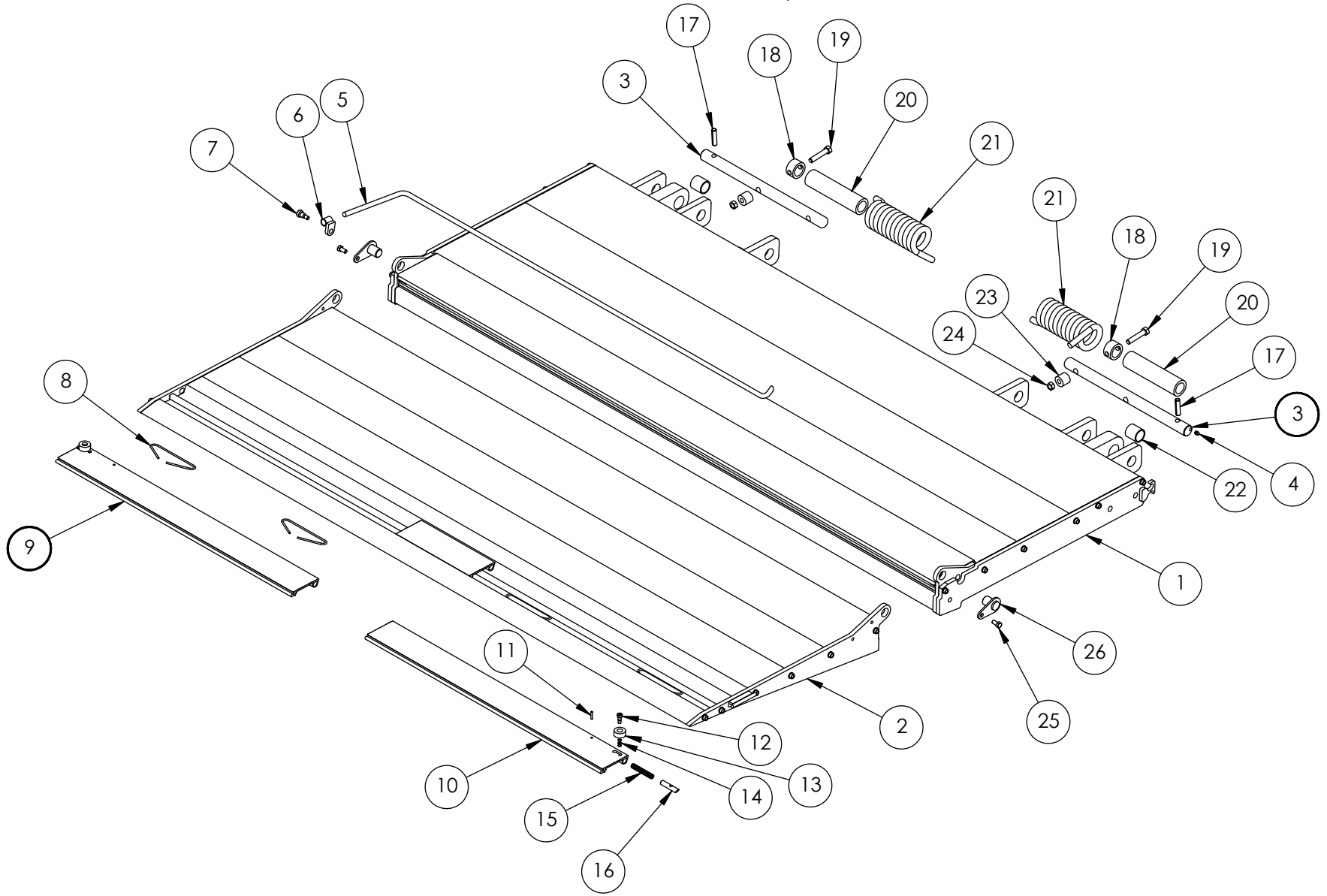
Built from 11-10

Rev. 01 3/11

[Click here for list of liftgate serial numbers, organized by approximate ship dates.](#)

ALUMINUM PLATFORM ASSEMBLY

(HLF-25, 30 Built from 11-10 thru 12-11 / HLF-40, 50 Built from 11-10)



WALTCO LIFT CORP.
HLF-25, 30, 40, 50

REVISED: 8-18-11
E.O. 6663
REV. 04

PM-793

ITEM	PART NUMBER	QTY	DESCRIPTION
1	22711001	1	Deck Assembly
2	22713001	1	Deck Extension Assembly, w/ Cart Stop
	22713003		Deck Extension Assembly
3	22712001 ^B	2	Pin Assembly, Deck (with grease zerk)
4	75089307 ^B	2	Grease Zerk, 5/16"
5	26417701	1	Torsion Bar
6	26417301	1	Torsion Bar Anchor
7	7500019-3	1	Socket Head Shoulder Bolt, 1/2" x 1/2"
8	42668440	4	Spring, Cart Stop
9	26414801 ^A	1	Cart Stop Assembly Complete, Curbside
	26414851 ^A		Cart Stop Assembly Complete, Driverside
10	42669012	1	Cart Stop, Curbside
	42669011		Cart Stop, Driverside
11	75089591	2	Spring Pin, 3/16" x 7/8"
12	7500019-4	2	Socket Head Shoulder Bolt, 3/8" x 3/8"
13	42669299	2	Roll Stop
14	42669286	6	Shim
15	75088268	2	Spring, Cart Stop
16	42669014	2	Locking Pin, Cart Stop
17	75089542 ^B	4	Coil Pin, 1/2" Dia x 2"
18	22716001	2	Spacer Tube
19	7500010-40	2	Hex Bolt, 5/8-11 x 3-1/2", Gr 8
20	22716101	2	Spacer Tube, UHMW
21	22715002	2	Spring, Platform
22	10010192 ^C	2	Bearing, 1-1/4" ID x 1-1/2"
23	22716010	2	Collar, Spring
24	7500065-2	2	Jam Nut, Top Lock, 5/8-11
25	75086053	2	Hex Bolt, 3/8-16 x 3/4", Gr 8
26	1000101-6	2	Pin Weldment

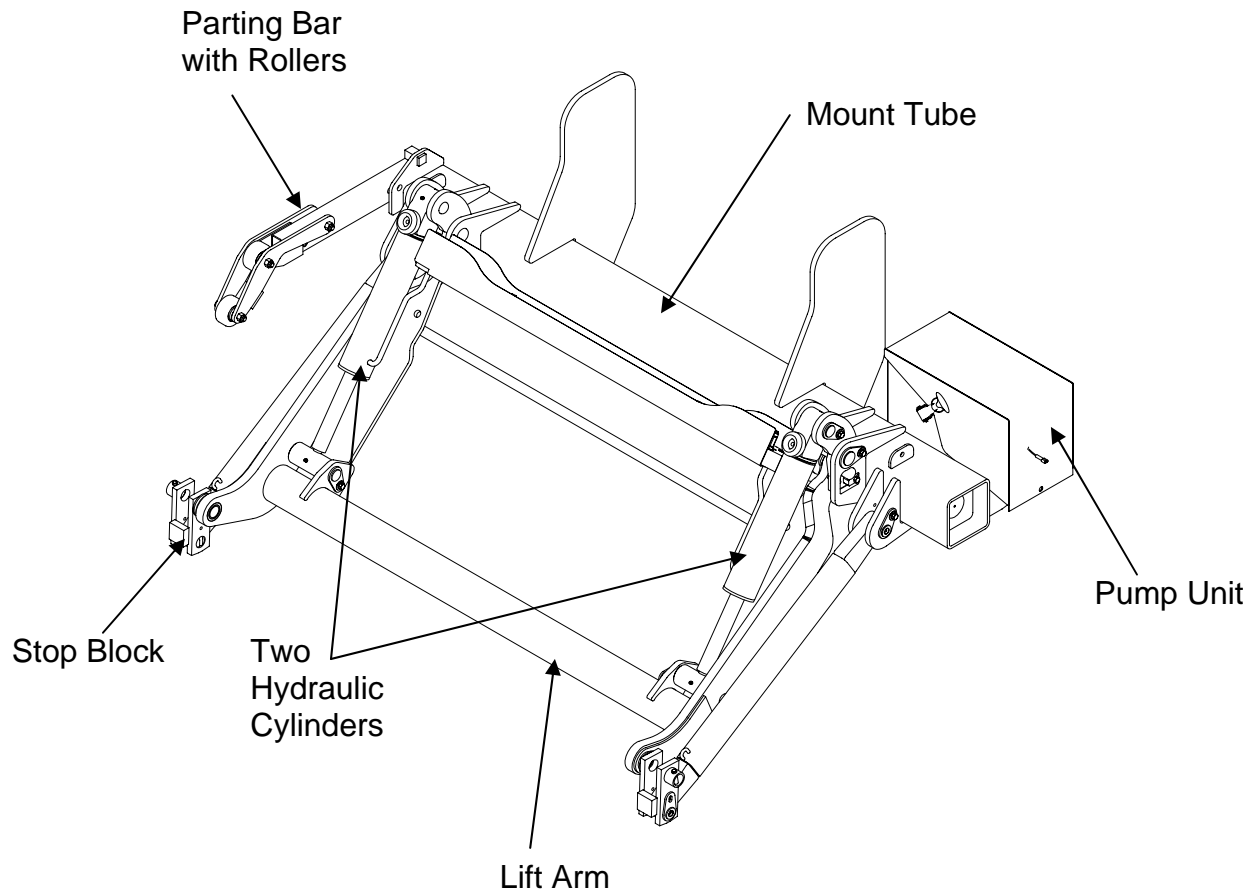
^A Included Items 10 thru 16.

^B Included in Pin Replacement Kit 80001315.

^C Included in Bearing Replacement Kit 80001314.

NOTE: For HLF-25, 30 Built From 12/11 refer to PM-839, Contact Factory.

HLF SERIES MOUNT ASSEMBLY



Common Features

- Wide arm design
- Dual Cylinder design
- Spec tag on cylinder clevis
- Square mount tube
- Round Lift Tube
- Two independent Stop Block Assemblies
- Parting bar with Rollers
- Reduced Installation design (Pump attached to Mount Tube)
- Available in four Lifting Capacities:
 - HLF-25 – 2500 lb.
 - HLF-30 – 3000 lb.
 - HLF-40 – 4000 lb.
 - HLF-50 – 5000 lb.
- Torsion assisted Deck Extension folding
- Power Down Pump

HLF SERIES

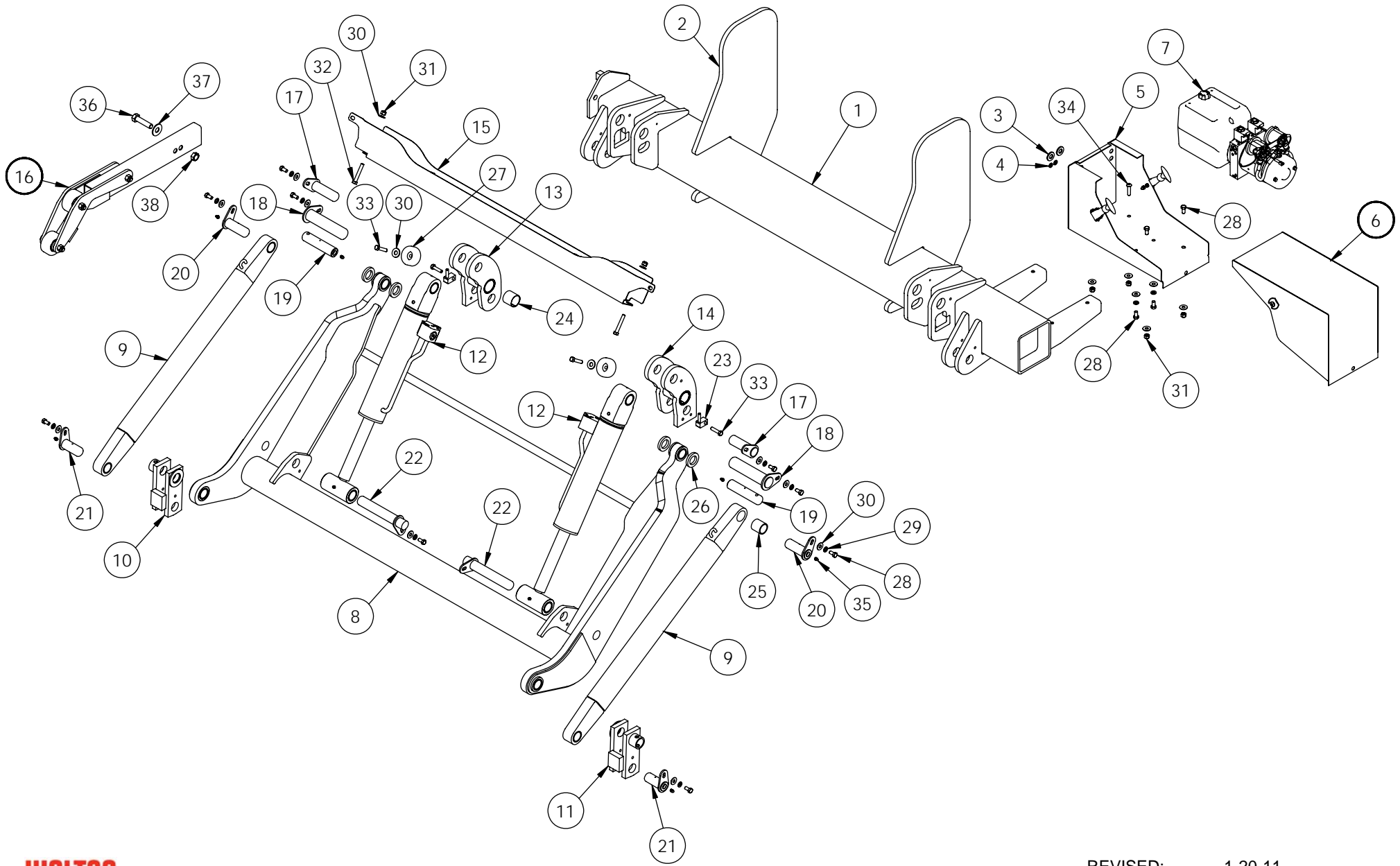
PM-792

Built from 11-10

Rev. 01 3/11

[Click here for list of liftgate serial numbers, organized by approximate ship dates.](#)

MOUNT FRAME ASSEMBLY
(Built from 11-10)



WALTCO LIFT CORP.
HLF-25, 30, 40, 50

REVISED: 1-20-11
E.O. 6434L
REV. 02

PM-792

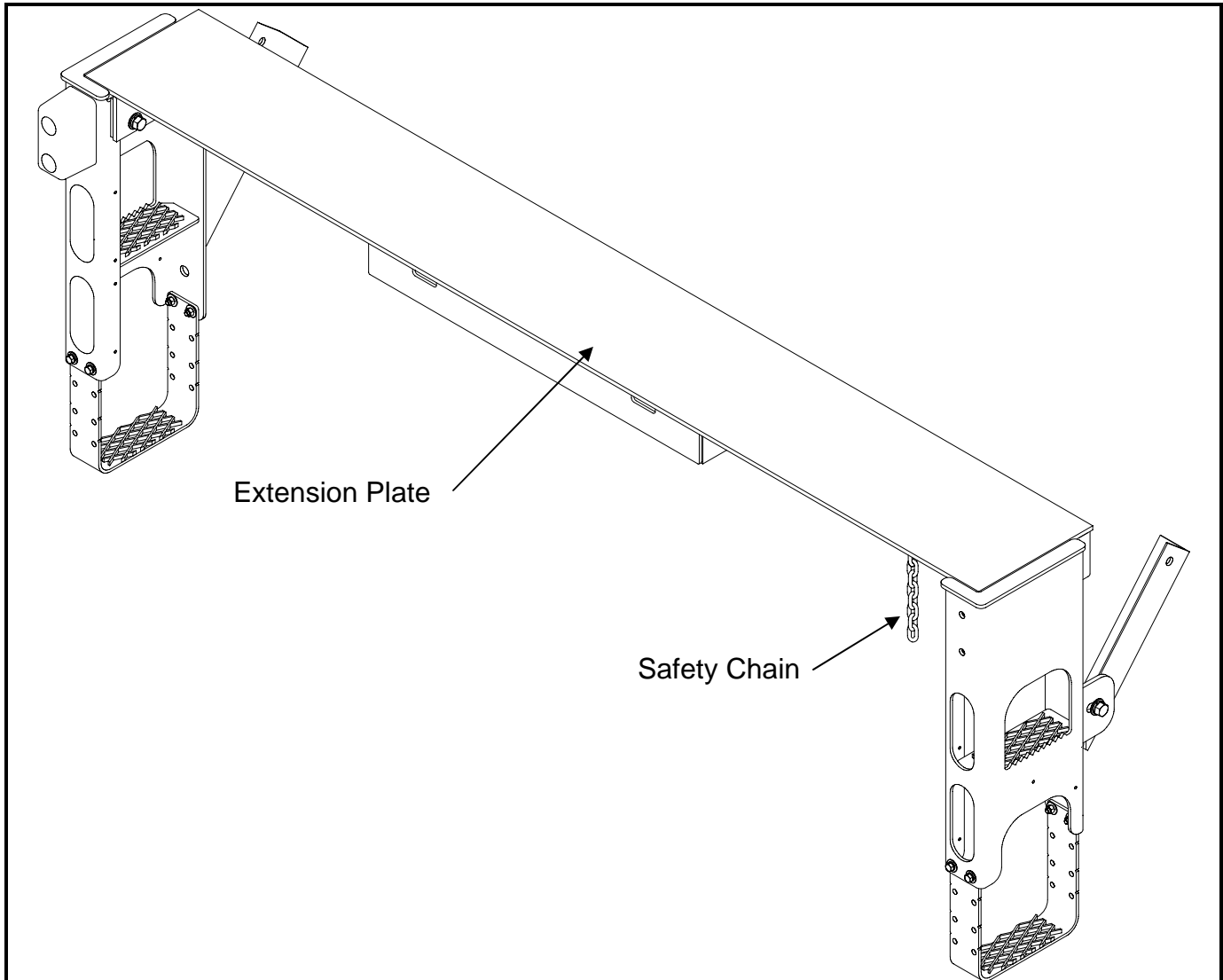
ITEM	PART NUMBER	QTY	DESCRIPTION
1	22720010	1	Mount Frame Assembly
2	22770301	2	Mount Plate
3	75089313	2	Grommet, 1/2" ID
4	75089322	2	Grommet, 5/16" ID
5	22795001	1	Pump Enclosure Weldment
6	22793001	1	Pump Enclosure Lid
7	70430610	1	Hydraulic Pump, HLF-25 & 30
	70430620	1	Hydraulic Pump, HLF-40 & 50
8	22730003	1	Lift Arm Weldment
	22730004	1	Lift Arm Weldment, Under-Ride
9	22755010	2	Parallel Arm Weldment
10	22750051	1	Stop Block, DS
11	22750001	1	Stop Block, CS
12	22780060	2	Hydraulic Cylinder, HLF-25, 30, & 40
	22780050	2	Hydraulic Cylinder, HLF-50
13	22724001	1	Auto Tilt Block, DS
14	22724002	1	Auto Tilt Block, CS
15	22718501	1	Hose Guard
16	22792501	1	Parting Bar Assembly
17	1000021-08 ^B	2	Pin, 1-1/4" x 3-5/8"
18	1000021-13 ^B	2	Pin, 1-1/2" x 6-3/16"
19	22712301 ^B	2	Pin, Lift Arm Pivot
20	1000022-05 ^B	2	Pin, 1-1/4" x 3-3/16"
21	1000022-03 ^B	2	Pin, 1-1/4" x 2-5/8"
22	1000021-11 ^B	2	Pin, 1-1/4" x 6-11/16"
23	22735001	2	Pin Retaining Block
24	42668119 ^A	4	Bearing, Fiberglide, 1-1/2" ID x 1-1/2"
25	10010192 ^A	10	Bearing, 1-1/2" ID x 1-1/2"
	22714101	4	Spacer
27	22714201	2	Puck
28	75086055 ^B	14	Hex Bolt, 3/8-16 x 3/4"
29	75088081 ^B	14	Lock Washer, 3/8"
30	75088053 ^B	16	Washer, 3/8"
31	75085193	6	Lock Nut, 3/8-16
32	7500010-26	2	Hex Bolt, 3/8-16 x 2-1/2"
33	75086218	4	Hex Bolt, 3/8-16 x 1-1/4", Gr 8
34	75086872	2	Socket Button Head, 3/8-16 x 1-1/4"
35	75089307	6	Grease Zerk, 5/16"
36	35470901	1	Hex Bolt, 5/8-11 x 2-1/2"

ITEM	PART NUMBER	QTY	DESCRIPTION
37	75088064	1	Washer, 5/8"
38	75085183	1	Lock Nut, Half, 5/8-11

^A Included in Bearing Replacement Kit 80001314

^B Included in Pin Replacement Kit 80001315

HLF SERIES BED EXTENSION ASSEMBLY



Common Features

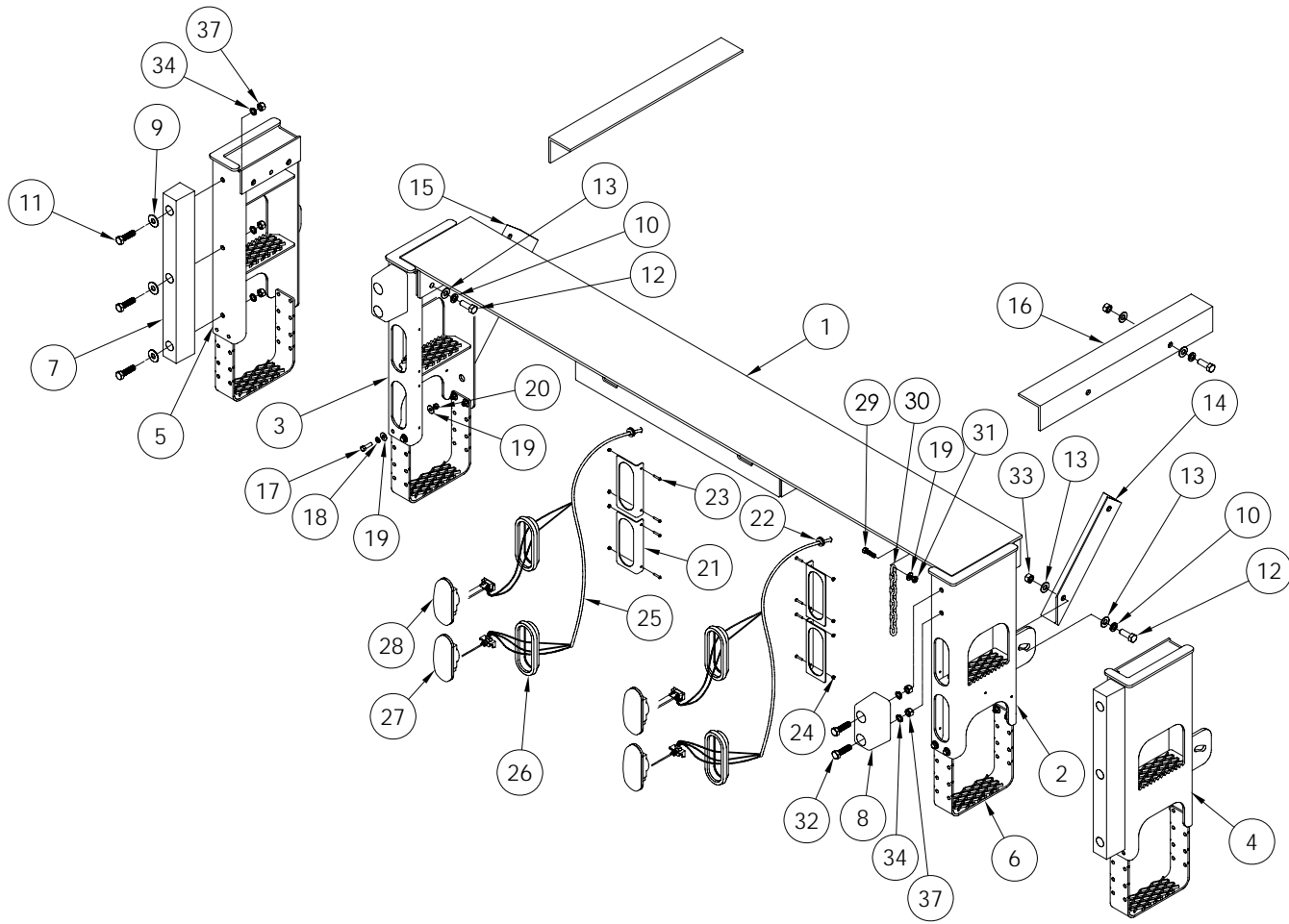
- 12" deep Extension Plate
- 94" or 98" wide Extension Plate
- 3/8" thick Extension Plate standard
- 1/2" thick Reinforced Extension Plate optional
- Walk Ramp Ready option available
- Various Dock Bumper options with and without lights available

PM-794
Built from 11-10

Rev. 01 3/11

[Click here for list of liftgate serial numbers, organized by approximate ship dates.](#)

BED EXTENSION AND LIGHT KIT OPTIONS
(Built from 11-10)



WALTCO LIFT CORP.
HLF-25, 30, 40, 50

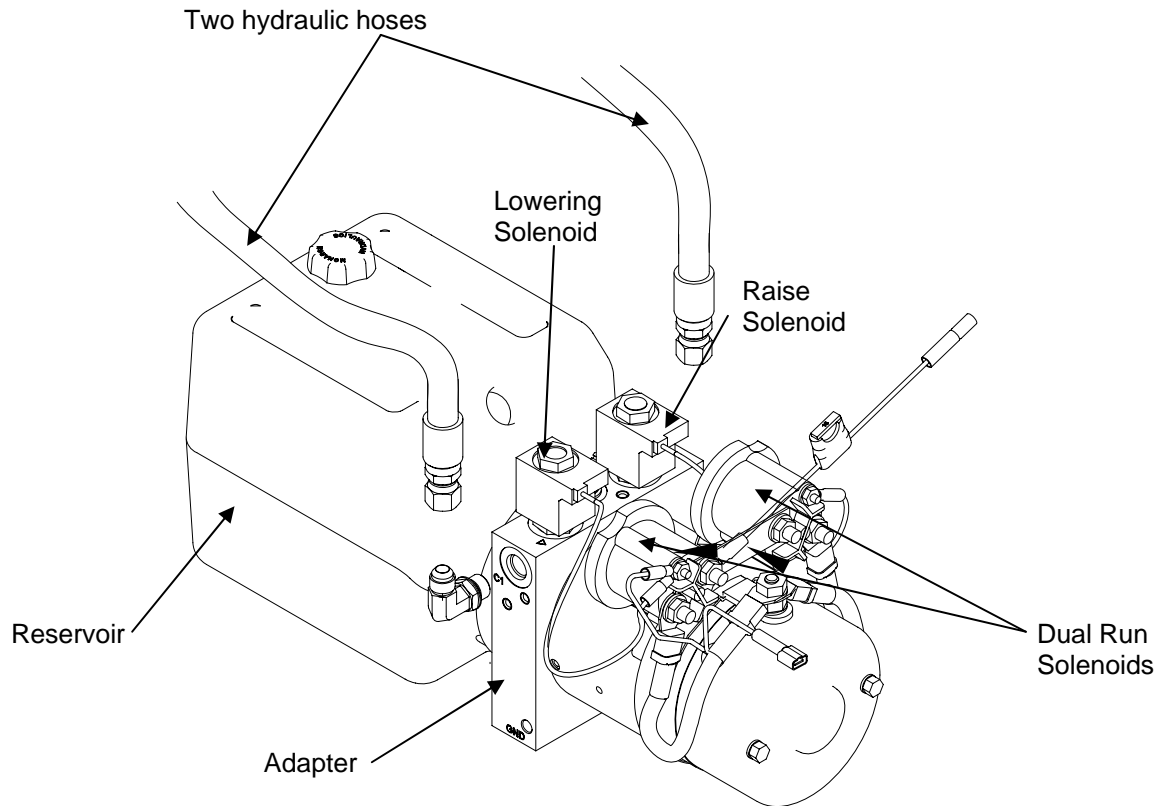
REVISED: 12-1-10
E.O. 6309NN
REV. 03

PM-794

ITEM	PART NUMBER	QTY	DESCRIPTION
1	22760001	1	Bed Extension, 96" Vehicles
	22760002		Bed Extension, 102" Vehicles
	22760003		Bed Extension, Heavy Duty, 96" Vehicles
	22760004		Bed Extension, Heavy Duty, 102" Vehicles
2	26497001 ^{ACD}	1	Dock Bumper, RH For Lights (Option)
3	26497051 ^{ACD}	1	Dock Bumper, LH For Lights (Option)
4	26497002 ^{BE}	1	Dock Bumper, RH (Option)
5	26497052 ^{BE}	1	Dock Bumper, LH (Option)
6	26498501 ^{ABCDE}	1	Stir-Up Assembly (Option)
7	26297604 ^{BE}	2	Rubber Bumper, Long (Option)
8	26297603 ^{ACD}	2	Rubber Bumper, Short (Option)
9	75088067 ^{ABCDE}	6	Washer, 1/2" (Option)
10	75088085 ^{AB}	8	Lock Washer, 5/8" (Option)
11	75086110 ^{BE}	6	Hex Bolt, 1/2"-13 x 2-1/2" Lg. (Option)
12	75086154 ^{AB}	8	Hex Bolt, 5/8"-11 x 1-3/4" Lg. (Option)
13	75088064 ^{AB}	12	Washer, 5/8" (Option)
14	26498101 ^{AB}	1	Angle Support, CS (Option)
15	26498151 ^{AB}	1	Angle Support, DS (Option)
16	26498301 ^{AB}	2	Angle, 3" x 3" x 1/4" x 24" Lg. (Option)
17	75086218 ^{ABCDE}	8	Hex Bolt, 3/8"-16 x 1-1/4" (Option)
18	75088081 ^{ABCDE}	8	Lock Washer, 3/8" (Option)
19	75088053 ^{ABCDE}	17	Washer, 3/8" (Option)
20	75085096 ^{ABCDE}	8	Hex Nut, 3/8"-16 (Option)
21	26498201 ^{ACD}	4	Light Bracket (Option)
22	75089334 ^{ACD}	2	Grommet, 1/2" ID (Option)
23	75086732 ^{ACD}	12	Round Head Screw, #10-32 (Option)
24	75085000 ^{ACD}	12	Hex Nut, #10-32 (Option)
25	22575200 ^{ACD}	2	Harness, 2 Lamps (Option)
26	75089376 ^{ACD}	4	Light Grommet (Option)
27	75089373 ^{ACD}	2	Tail Light ST & T (Option)
28	75089374 ^{AC}	2	Backup Light (Option)
29	7500010-26	1	Hex Bolt, 3/8"-16 x 2-1/2" Lg.
30	22598100	1	Transit Chain
31	75085193	1	Hex Lock Nut, 3/8"-16
32	7500010-23 ^{ACD}	4	Hex Bolt, 1/2"-13 x 3" Lg. (Option)
33	75085012 ^{AB}	4	Hex Nut, 5/8"-11 (Option)
34	75088083 ^{ABCDE}	6	Lock Washer, 1/2" (Option)
37	75085008	6	Hex Nut, 1/2"-13

- ^A Included in Dock Bumper W/4 Light Kits No. 22796004 and No. 22796005
^B Included in Dock Bumper Kit No. 22796006
^C Included in Complete Dock Bumper w/ Lights No. 26498004 (CS) and No. 26498054 (DS)
^D Included in Complete Dock Bumper w/ Trailer Lights No. 26498007 (CS) and No. 26498057 (DS)
^E Included in Complete Dock Bumper w/o Lights No. 26498005 (CS) and No. 26498055 (DS)

HLF SERIES HYDRAULICS & CONTROLS



HLF Power Down

Common Features

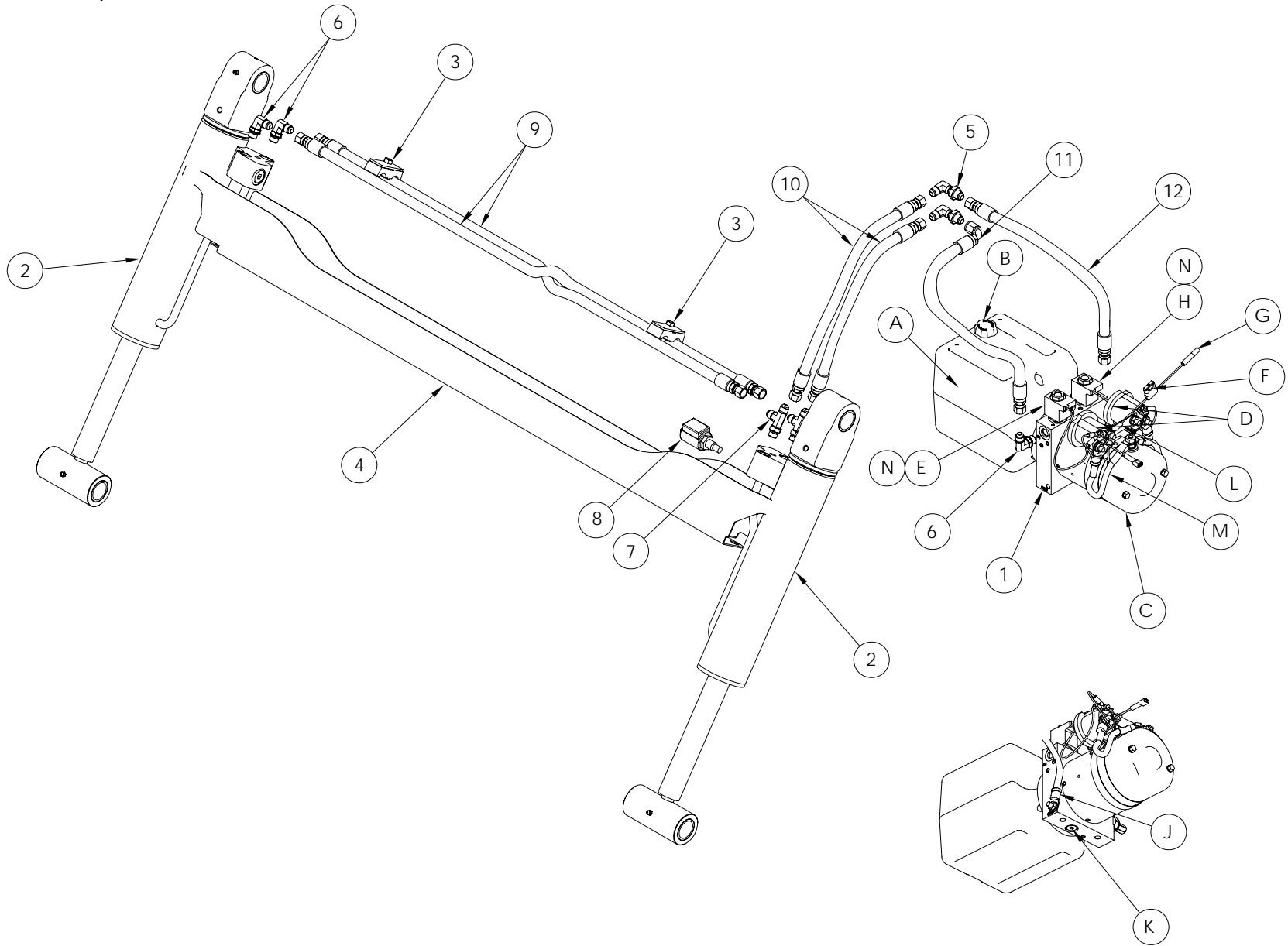
- Monarch power units
- Electric controls
- HLF Series reduced maintenance cylinders
- Pressure set at 2400 psi for HLF-25, 30
Pressure set at 3200 psi for HLF-40, 50
- Pump mounted to curb side of liftgate mount tube
- Power Down Units use dual Starter Solenoids

	Power Down
Hydraulic Layout	PM-795 Built from 11-10
Electrical Layout & Schematic	PM-796 Built from 11-10

Rev. 01 3/11

[Click here for list of liftgate serial numbers, organized by approximate ship dates.](#)

HYDRAULIC LAYOUT
(Built from 11-10)



WALTCO LIFT CORP.
HLF-25, 30, 40, 50

REVISED: 3-1-11
E.O. 6469
REV. 02

PM-795

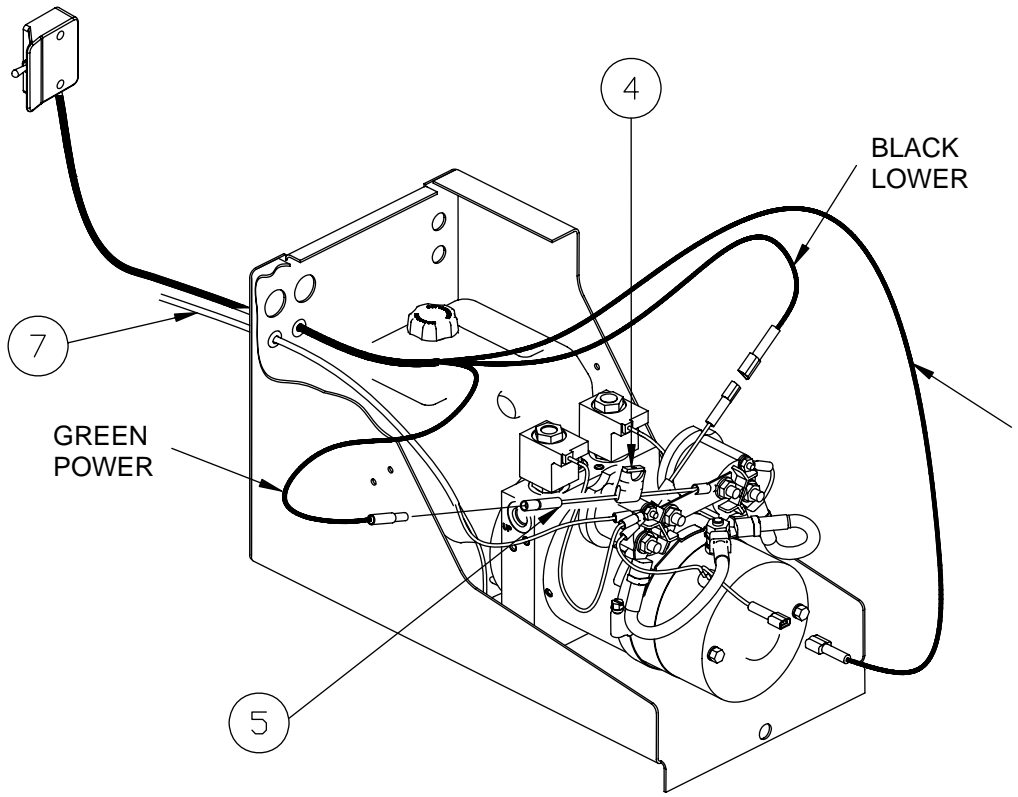
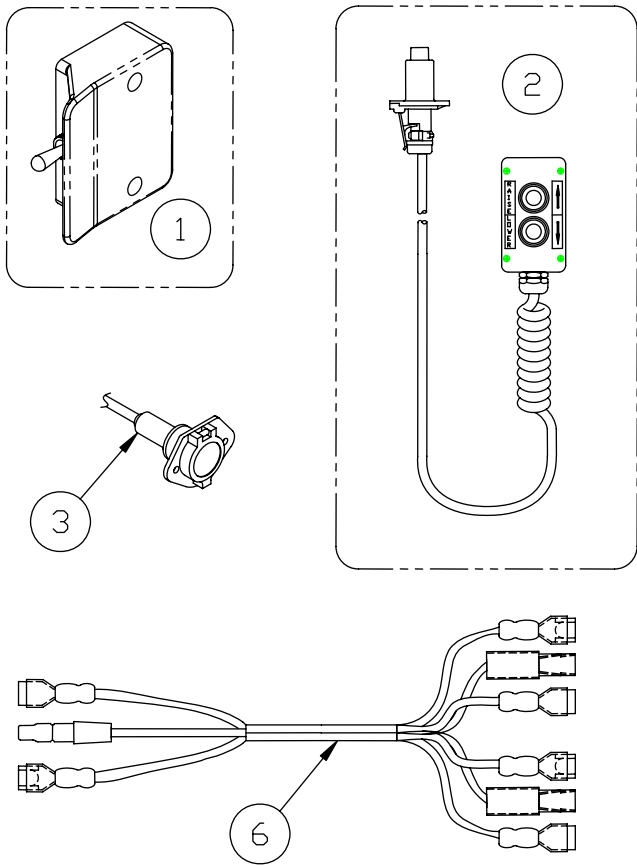
ITEM	PART NUMBER	QTY	DESCRIPTION
1	70430610	1	Hydraulic Pump Unit, 2400 PSI, HLF-25, 30
	70430620		Hydraulic Pump Unit, 3200 PSI, HLF-40, 50
A	70401512 ^A	1	Hydraulic Reservoir
B	70400004 ^A	1	Breather
C	7043002-1 ^A	1	Motor
D	75089833 ^A	2	Starter Solenoid
E	70092503 ^A	1	Valve Assembly, 2-way, 2 pos w/ Coil
F	75089854 ^A	1	Fuse, 15 Amp
G	10099309 ^A	1	Inline Fuse Assembly (Includes Fuse 75089854)
H	70400014 ^A	1	Valve Assembly, 4-way, 2 pos w/ Coil
J	75089473 ^A	1	Ground Cable (Part of Dual Cable)
K	70091291 ^A	1	Steel Plug
L	70091779 ^A	1	Connecting Strap
M	70091778 ^A	2	Solenoid Cable
N	70402303 ^A	2	Coil, 12V, 10A
2	22780060	2	Hydraulic Cylinder
	22780050		Hydraulic Cylinder
3	75089251 ^B	4	Clamp Half, Hose
	75089252 ^B	2	Cover Plate, Hose Clamp
	75089253 ^B	2	Hex Bolt, 5/16-18 x 1-3/4"
4	22718501	1	Hose Guard Assembly
5	75082894	2	Bulkhead Elbow, 90, 3/8" JIC M X 3/8" JIC M
6	75082869	4	Elbow, 90, 3/8" JIC M X 3/8" ORB M
7	75083132	2	Tee, 3/8" JIC M X 3/8" ORB M
8	22781501	1	Lock Valve
9	7500077-16	2	Hose, 3/8" ID X 3/8" JIC
10	7500077-15	2	Hose, 3/8" ID X 3/8" JIC
11	7500106-1	1	Hose, 3/8" ID X 3/8" JIC X 90 DEG 3/8" JIC
12	7500077-14	1	Hose, 3/8" ID X 3/8" JIC

^A Included in Pump Assembly 70430610 & 70430620.

^B Included in Hose Guard Assembly 22718501.

ELECTRIC CONTROL OPTIONS

(Built from 11-10)



WALTCO LIFT CORP.
HLF-25, 30, 40, 50

REVISED: 10-7-10
E.O. 6434C
REV. 01

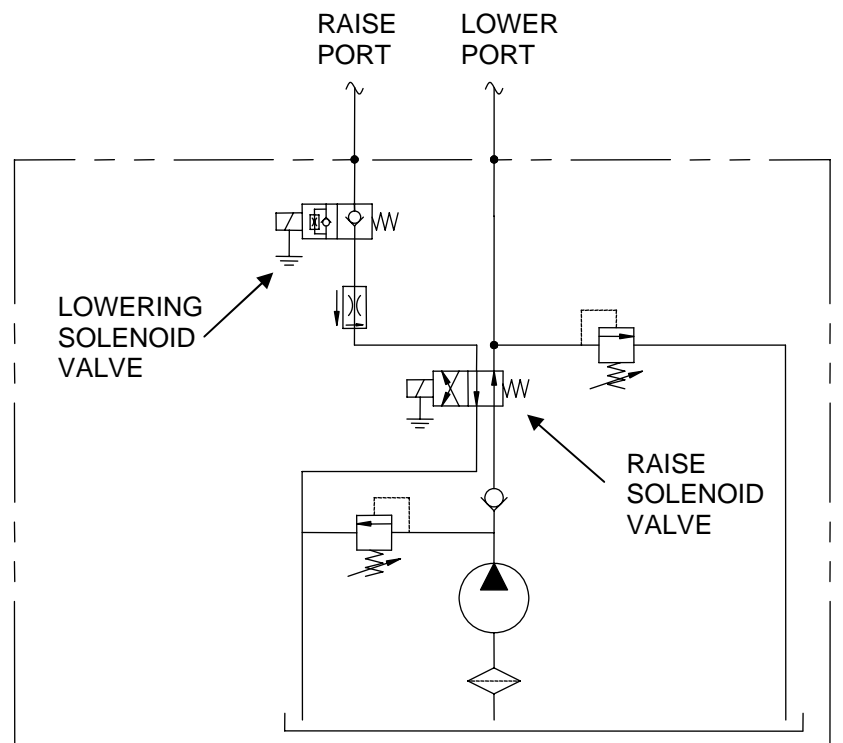
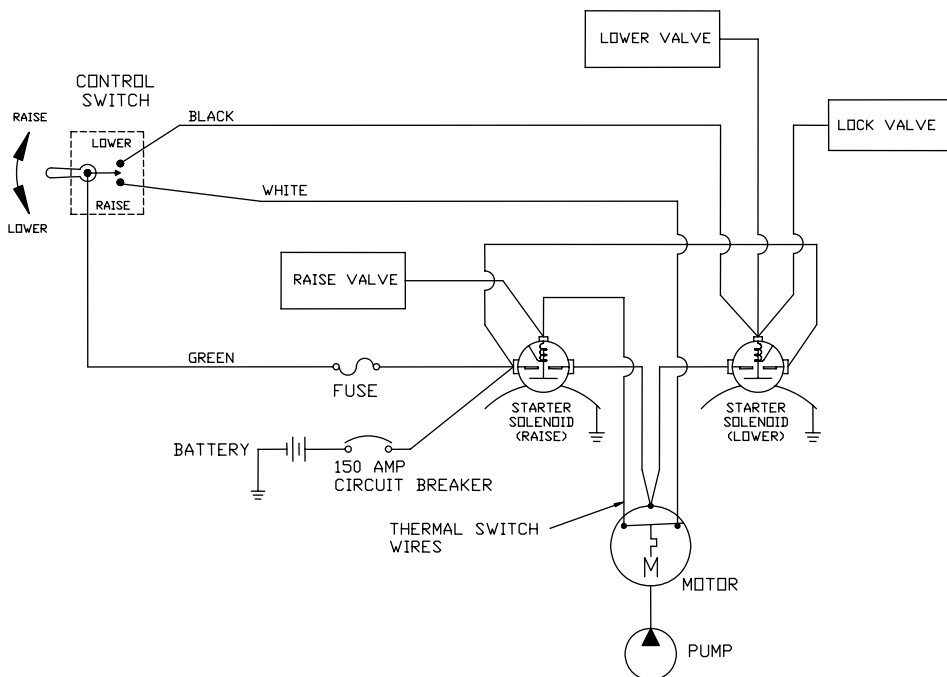
PM-796

ITEM	PART NUMBER	QTY	DESCRIPTION
1	10099330 ^a	1	Switch w/10ft Cord (for curb side)
	10099331 ^b	1	Switch w/15ft Cord (for Dual Control)
2	10099325 ^c	1	Switch (Hand Held Remote)
3	75082038	1	Trailer Socket
4	75089854	1	15 Amp Fuse
5	10099309	1	Fuse Holder
6	10098413	1	Dual Control Harness
7	22781000	1	Harness, Lock Valve

^a Included in Switch Kit 80000436.

^b Included in Switch Dual Control Kit 80000437.

^c Included in Switch Hand Held Remote Kit 80000430.





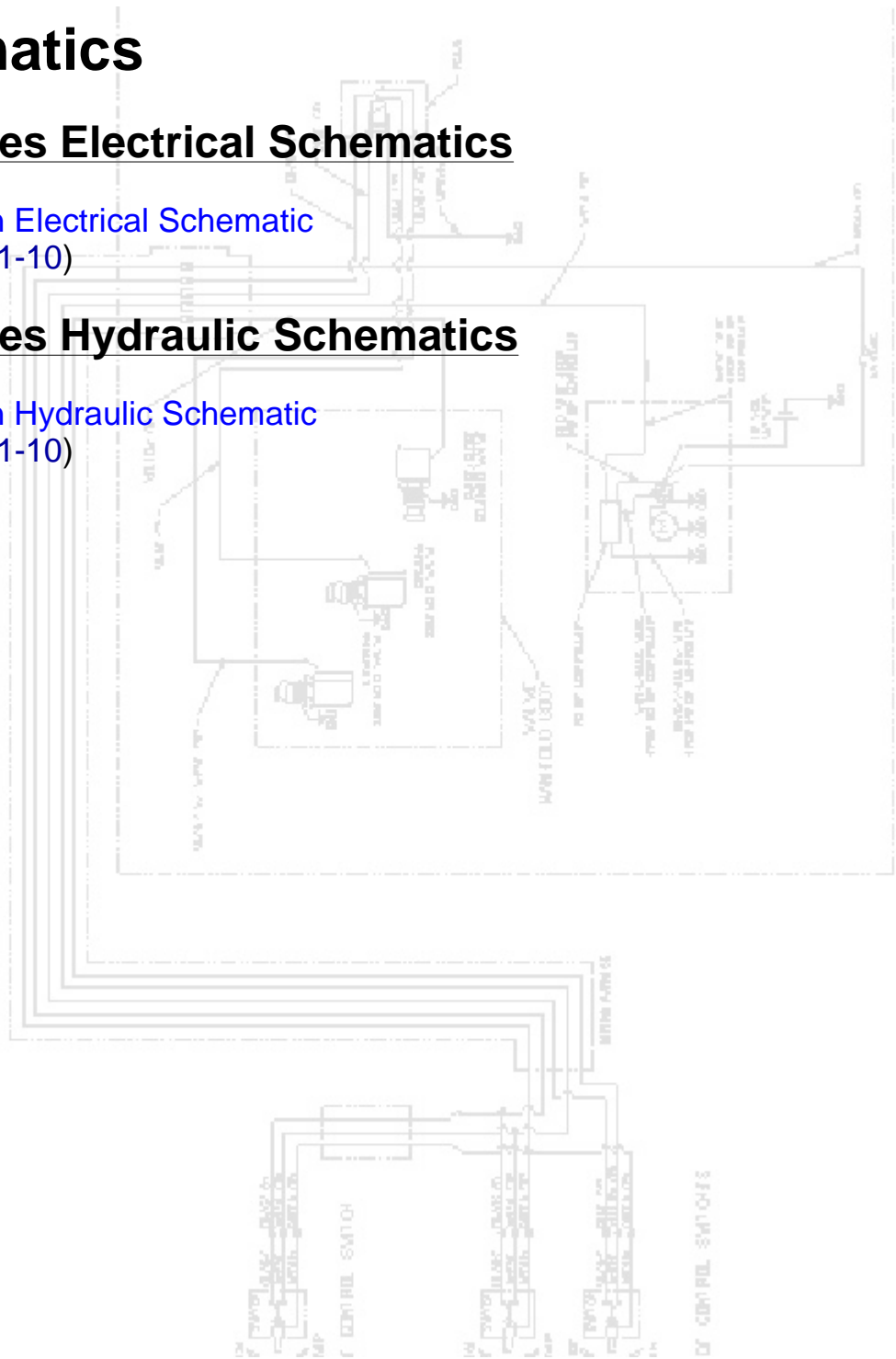
Schematics

HLF Series Electrical Schematics

Power Down Electrical Schematic
(Built from 11-10)

HLF Series Hydraulic Schematics

Power Down Hydraulic Schematic
(Built from 11-10)



[Click here for a list of liftgate serial numbers, organized by approximate ship dates.](#)

Tallmadge

Revised 04/18/12

Ser No	Date
220000	11/88
221000	12/88
222000	01/89
223000	03/89
224000	04/89
225000	05/89
226000	06/89
227000	08/89
228000	10/89
229000	11/89
240000	01/90
241000	02/90
242000	07/90
243000	04/90
244000	05/90
245000	07/90
246000	09/90
247000	12/90
248000	12/90
249000	02/91
260000	04/91
261000	05/91
262000	08/91
263000	10/91
264000	12/91
265000	02/92
266000	03/92
267000	05/92
268000	06/92
269000	08/92
280000	09/92
281000	11/92
282000	12/92
283000	02/93
284000	03/93
285000	04/93
286000	06/93
287000	07/93
288000	08/93
289000	10/93
300000	11/93
301000	02/94
302000	02/94
303000	03/94
304000	04/94
305000	05/94
306000	08/94
307000	09/94
308000	10/94
309000	10/94
320000	12/94
321000	01/95

Ser No	Date
322000	03/95
323000	04/95
324000	06/95
325000	07/95
326000	09/95
327000	09/95
328000	11/95
329000	01/96
340000	02/96
341000	03/96
342000	04/96
343000	05/96
344000	07/96
345000	08/96
346000	10/96
347000	12/96
348000	03/97
349000	03/97
360000	04/97
361000	05/97
362000	06/97
363000	07/97
364000	08/97
365000	10/97
366000	11/97
367000	12/97
368000	01/98
369000	06/98
380000	03/98
381000	06/98
382000	06/98
383000	08/98
384000	08/98
385000	11/98
386000	12/98
387000	12/98
388000	01/99
389000	04/99
400000	02/99
401000	03/99
402000	05/99
403000	05/99
404000	06/99
405000	08/99
406000	08/99
407000	10/99
408000	11/99
409000	11/99
420000	12/99
421000	12/99
422000	04/00
423000	03/00

Ser No	Date
424000	03/00
425000	04/00
426000	05/00
427000	07/00
428000	08/00
429000	08/00
440000	09/00
441000	11/00
442000	12/00
443000	02/01
444000	04/01
445000	05/01
446000	09/01
447000	09/01
448000	11/01
449000	01/02
460000	04/00
461000	05/02
462000	06/02
463000	09/02
464000	10/02
465000	12/02
466000	01/03
467000	02/03
468000	05/03
469000	05/03
480000	07/03
481000	08/03
482000	10/03
483000	11/03
484000	01/04
485000	02/04
486000	02/04
487000	03/04
488000	03/04
489000	05/04
500000	05/04
501000	06/04
502000	06/04
503000	07/04
504000	09/04
505000	10/04
506000	12/04
507000	01/05
508000	02/05
509000	02/05
520000	03/05
521000	03/05
522000	03/05
523000	04/05
524000	04/05
524500	05/05

Ser No	Date
526000	06/05
527000	07/05
528000	07/05
529000	09/05
540000	09/05
541000	10/05
542000	11/05
543000	11/05
544000	12/05
545000	02/06
546000	03/06
547000	03/06
548000	03/06
549000	04/06
560000	05/06
561000	06/06
562000	06/06
563000	06/06
564000	06/06
565000	07/06
566000	08/06
567000	09/06
568000	10/06
569000	11/06
580000	01/07
581000	01/07
582000	02/07
583000	03/07
584000	05/07
585000	06/07
586000	07/07
587000	10/07
588000	11/07
589000	01/08
600000	02/08
601000	05/08
602000	07/08
603000	09/08
604000	01/09
605000	04/09
606000	07/09
607000	08/09
608000	10/09
609000	11/09
610000	12/09
611000	01/10
612000	03/10
613000	05/10
614000	06/10
615000	08/10
616000	09/10
617000	10/10

Ser No	Date
618000	11/10
619000	12/10
620000	03/11
621000	03/11
622000	03/11
623000	03/11
624000	04/11
625000	05/11
626000	05/11
627000	06/11
628000	07/11
629000	09/11
630000	09/11
631000	10/11
632000	11/11
633000	12/11
634000	01/12
635000	02/12
636000	03/12
637000	03/12
638000	04/12
G100	11/08
G200	11/08
G300	02/09
G400	06/09
G500	10/09
G600	11/09
G700	04/10
G800	04/10
G900	08/10
G1000	10/10
G1100	01/11
G1200	04/11
G1300	04/11
G1400	05/11
G1500	08/11
G1600	09/11
G1700	12/11
G1800	01/12
G1900	03/12
G2000	03/12
G2100	04/12

***All Serial Number**

Dates are approximate

Gardena

Ser No	Date
116000	01/83
117000	05/83
118000	09/83
119000	12/83
130000	03/84
131000	05/84
132000	07/84
133000	10/84
134000	12/84
135000	03/85
136000	04/85
137000	07/85
138000	10/85
139000	11/85
150000	03/86
151000	05/86
152000	09/86
153000	12/86
154000	03/87
155000	05/87
156000	07/87
157000	10/87
158000	11/87
159000	12/87
170000	02/88
171000	04/88
172000	06/88

Ser No	Date
173000	08/88
174000	10/88
175000	11/88
176000	01/89
177000	03/89
178000	04/89
179000	07/89
190000	09/89
191000	11/89
192000	01/90
193000	03/90
194000	05/90
195000	07/90
196000	10/90
197000	12/90
198000	03/91
199000	06/91
210000	09/91
211000	12/91
212000	04/92
213000	06/92
214000	09/92
215000	12/92
216000	02/93
217000	05/93
218000	08/93
219000	12/93

Ser No	Date
230000	02/94
231000	05/94
232000	08/94
233000	10/94
234000	12/94
235000	02/95
236000	05/95
237000	08/95
238000	11/95
239000	01/96
250000	03/96
251000	06/96
252000	09/96
253000	12/96
254000	03/97
255000	05/97
256000	08/97
257000	10/97
258000	01/98
259000	03/98
270000	05/98
271000	07/98
272000	10/98
273000	12/98
274000	02/99
275000	04/99
276000	06/99

Ser No	Date
277000	08/99
278000	10/99
279000	12/99
290000	02/00
291000	04/00
292000	06/00
293000	08/00
294000	11/00
295000	02/01
296000	05/01
297000	07/01
298000	09/01
299000	01/02
310000	04/02
311000	07/02
312000	10/02
313000	01/03
314000	04/03
315000	07/03
316000	11/03
317000	03/04
318000	04/04
330000	04/04
331000	07/04
332000	10/04
333000	12/04
334000	04/05

Ser No	Date
335000	05/05
336000	11/05
337000	11/05
338000	03/06
339000	04/06
350000	08/06
351000	01/07
352000	04/07
353000	09/07
354000	01/08
355000	08/08

*All Serial Number Dates are approximate

Shipped From Warehouses

Marietta (Georgia)

Ser No	Date
M1000	12/87
M1100	12/88
M1500	04/89
M2000	03/90
M2500	12/90
M3000	09/91
M3500	07/92
M4000	04/93
M4500	02/94
M5000	06/94
M5500	11/94
M6000	04/95
M6500	09/95
M7000	04/96
M7500	10/96
M8000	04/97
M8500	09/97

Ser No	Date
M9000	02/98
M9500	06/98
M10000	09/98
M10500	01/99
M11000	04/99
M11500	08/99
M12000	01/00
M12500	09/00
M13000	10/00
M13500	02/01
M14000	07/01
M14500	01/02
M15000	06/02
M15500	01/03
M16000	07/03
M16500	11/03
M17000	04/04

Ser No	Date
M17500	07/04
M18000	10/04
M19000	01/05
M19500	04/05
M20000	01/06
M20500	03/06
M21000	08/06
M21500	01/07
M21600	03/07
M21700	04/07
M21800	05/07
M21900	07/07
M22000	08/07
M22100	11/07
M22200	12/07
M22300	01/08
M22600	06/08

Others

Ser No	Date
D1000	01/91
D2000	06/92
D3000	03/94
D4000	03/95
D5000	11/96
D6000	04/98
D7000	04/99
F1000	02/00
S1000	04/00
A1000	04/00
T8000	05/00
T9000	09/02
T9500	11/03
T9900	06/04

Burlington (Wisconsin)

Ser No	Date
W1000	11/94
W1100	02/95
W1200	04/95
W1300	06/95
W1400	08/95
W1500	10/95
W1600	12/95
W1700	03/96
W1800	05/96
W1900	08/96
W2000	09/96
W2100	12/96
W2200	02/97
W2300	04/97
W2400	06/97
W2500	08/97

Ser No	Date
W2600	10/97
W2700	12/97
W2800	01/98
W2900	06/98
W3000	07/98
W3100	09/98
W3200	12/98
W3300	03/99
W3400	05/99
W3500	07/99
W3600	09/99
W3700	10/99
W3800	12/99
W3900	03/00
W4000	04/00
W4100	05/00

Ser No	Date
W4200	07/00
W4300	09/00
W4400	11/00
W4500	01/01
W4600	03/01
W4700	05/01
W4800	07/01
W4900	10/01
W5000	12/01
W5100	12/01
W5200	02/02
W5300	03/02
W5400	06/02
W5500	07/02
W5600	09/02
W5700	01/03

Ser No	Date
W5800	01/03
W5900	02/03
W6000	04/03
W6100	06/03
W6200	08/03
W6300	10/03
W6400	01/04
W6500	03/04
W6600	06/04
W6700	09/04
W6800	12/04
W6900	02/05
W7000	05/05

MISC.

Ser No	Date
CMC100	05/07
CMC200	07/07
CMC300	09/07
CMC400	10/07
CMC500	12/07
CMC600	01/08
CMC700	06/08

Ser No	Date
CMC800	01/09
CMC900	09/10
CMC1000	01/11
CMC1100	05/11
CMC1200	12/11

Ser No	Date
CMT100	05/07
CMT200	
CMT300	
CMT400	
CMT500	
CMT600	

***All Serial Number Dates are approximate**