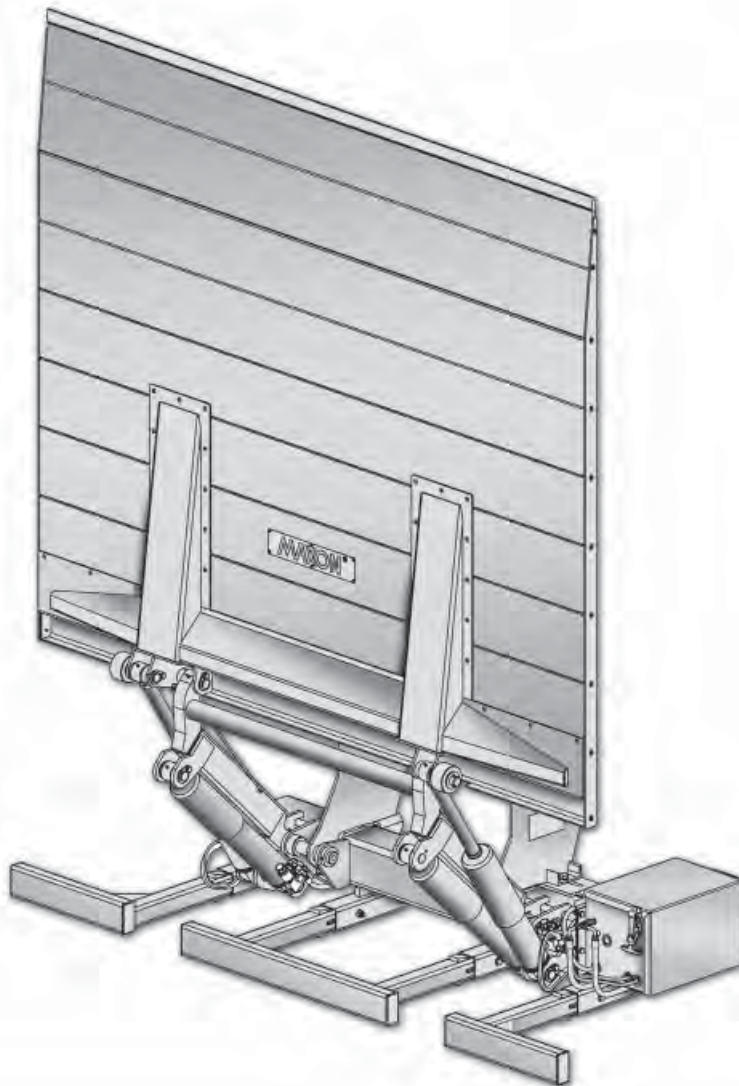


M-09-26  
REV. C  
OCTOBER 2012

# MAXON<sup>®</sup> CONVENTIONAL LIFTGATE SERIES

## GPC-22, GPC-33 & GPC-44

### MAINTENANCE MANUAL





# MAXON<sup>®</sup>

## LIFT CORP.

11921 Slauson Ave.  
Santa Fe Springs, CA. 90670

### CUSTOMER SERVICE:

TELEPHONE (562) 464-0099 TOLL FREE (800) 227-4116

FAX: (888) 771-7713

NOTE: For latest version of all Manuals (and replacements), download the Manuals from Maxon's website at [www.maxonlift.com](http://www.maxonlift.com).

## WARRANTY/ RMA POLICY & PROCEDURE

### LIFTGATE WARRANTY

Type of Warranty: Full Parts and Labor

Term of Warranty: Standard Liftgates - 2 years from ship date or 6,000 cycles  
Premium Liftgates - 2 years from ship date or 10,000 cycles

This warranty shall not apply unless the product is installed, operated and maintained in accordance with MAXON Lift's specifications as set forth in MAXON Lift's Installation, Operation and Maintenance manuals. This warranty does not cover normal wear, maintenance or adjustments, damage or malfunction caused by improper handling, installation, abuse, misuse, negligence, or carelessness of operation. In addition, this warranty does not cover equipment that has had unauthorized modifications or alterations made to the product.

MAXON agrees to replace any components which are found to be defective during the first 2 years of service, and will reimburse for labor based on MAXON's Liftgate Warranty Flat Rate Schedule. (Copy of the Flat Rate is available at [www.maxonlift.com](http://www.maxonlift.com).)

All warranty repairs must be performed by an authorized MAXON warranty facility. For any repairs that may exceed \$500, including parts and labor, MAXON's Technical Service Department must be notified and an "Authorization Number" obtained.

All claims for warranty must be received within 30 Days of the repair date, and include the following information:

1. Liftgate Model Number and Serial Number
2. The End User must be referenced on the claim
3. Detailed Description of Problem
4. Corrective Action Taken, and Date of Repair
5. Parts used for Repair, Including MAXON Part Number(s)
6. MAXON R.M.A. # and/or Authorization # if applicable (see below)
7. Person contacted at MAXON if applicable
8. Claim must show detailed information i.e. Labor rate and hours of work performed

Warranty claims can also be placed online at [www.maxonlift.com](http://www.maxonlift.com). Online claims will be given priority processing.

All claims for warranty will be denied if paperwork has not been received or claim submitted via Maxon website for processing by MAXON's Warranty Department within 30 days of repair date.

All components may be subject to return for inspection, prior to the claim being processed. MAXON products may not be returned without prior written approval from MAXON's Technical Service Department. Returns must be accompanied by a copy of the original invoice or reference with original invoice number and are subject to a credit deduction to cover handling charges and any necessary reconditioning costs. **Unauthorized returns will be refused and will become the responsibility of the returnee.**

Any goods being returned to MAXON Lift must be pre-approved for return, and have the R.M.A. number written on the outside of the package in plain view, and returned freight prepaid. All returns are subject to a 15% handling charge if not accompanied by a detailed packing list. Returned parts are subject to no credit and returned back to the customer. Defective parts requested for return must be returned within 30 days of the claim date for consideration to:

MAXON Lift Corp.  
10321 Greenleaf Ave., Santa Fe Springs, CA 90670  
Attn: RMA# \_\_\_\_\_

MAXON's warranty policy does not include the reimbursement for travel time, towing, vehicle rental, service calls, oil, batteries or loss of income due to downtime. Fabrication or use of non Maxon parts, which are available from MAXON, are also not covered.

MAXON's Flat Rate Labor Schedule takes into consideration the time required for diagnosis of a problem.

All Liftgates returned are subject to inspection and a 15% restocking fee. Any returned Liftgates or components that have been installed or not returned in new condition will be subject to an additional reworking charge, which will be based upon the labor and material cost required to return the Liftgate or component to new condition.

### PURCHASE PART WARRANTY

Term of Warranty: 1 Year from Date of Purchase.

Type of Warranty: Part replacement only. MAXON will guarantee all returned genuine MAXON replacement parts upon receipt and inspection of parts and original invoice.

All warranty replacements parts will be sent out via ground freight. If a rush shipment is requested, all freight charges will be billed to the requesting party.

# TABLE OF CONTENTS

<b>WARNINGS</b> .....	<b>6</b>
<b>SAFETY INSTRUCTIONS</b> .....	<b>6</b>
LIFTGATE TERMINOLOGY .....	9
<b>PERIODIC MAINTENANCE</b> .....	<b>10</b>
PERIODIC MAINTENANCE CHECKS .....	10
PERIODIC MAINTENANCE CHECKLIST .....	11
CHECKING HYDRAULIC FLUID .....	13
CHANGING HYDRAULIC FLUID .....	14
<b>PARTS BREAKDOWN</b> .....	<b>16</b>
MAIN ASSEMBLY WITH STANDARD UNDERRUN BUMPER .....	16
MAIN ASSEMBLY WITH LONG UNDERRUN BUMPER .....	18
MAIN ASSEMBLY: GPC-22 & GPC-33 .....	20
MAIN ASSEMBLY: GPC-44.....	22
ALUMINUM PLATFORM ASSEMBLY .....	24
ALUMINUM CART STOPS.....	30
STEEL PLATFORM ASSEMBLY .....	32
STEEL CART STOP (700MM FLAP).....	36
STEEL CART STOP (900MM FLAP).....	37
HYDRAULIC COMPONENTS - WITHOUT AUTO TILT .....	38
HYDRAULIC COMPONENTS - WITH AUTO TILT .....	40
12V POWER PACK - WITHOUT AUTO TILT .....	42
12V POWER PACK - WITH AUTO TILT .....	44
PUMP ASSEMBLY .....	46
ELECTRICAL COMPONENTS.....	50
CONTROLS, SENSORS & INTERCONNECTING WIRING .....	50
ELECTRICAL JUNCTION BOX.....	51
POWER & GROUND CABLES .....	52

EXTERNAL CONTROL BRACKET (KIT) .....	53
INTERNAL CONTROL BRACKET (KIT) .....	54
FLOOR SEAL, DOOR SEALS & BUMPERS .....	56
MARKER FLAGS KIT .....	58
<b>DECALS</b> .....	<b>60</b>
<b>SYSTEM DIAGRAMS</b> .....	<b>62</b>
PUMP & MOTOR SOLENOID OPERATION (WITHOUT AUTO TILT) .....	62
PUMP & MOTOR SOLENOID OPERATION (WITH AUTO TILT).....	63
HYDRAULIC SCHEMATIC (WITHOUT AUTO TILT) .....	64
HYDRAULIC SCHEMATIC (WITH AUTO TILT) .....	65
ELECTRICAL SCHEMATIC, 12V (WITHOUT AUTO TILT) .....	66
ELECTRICAL SCHEMATIC, 12V (WITH AUTO TILT).....	67
<b>TROUBLESHOOTING</b> .....	<b>68</b>

Comply with the following **WARNINGS** and **SAFETY INSTRUCTIONS** while maintaining Liftgates. See Operation Manual for operating safety requirements.

## **⚠ WARNING**

- Do not stand, or allow obstructions, under the platform when lowering the Liftgate. **Be sure your feet are clear of the Liftgate.**
- **Keep fingers, hands, arms, legs, and feet clear of moving Liftgate parts (and platform edges) when operating the Liftgate.**
- **Correctly stow platform when not in use. Extended platforms could create a hazard for people and vehicles passing by.**
- **Disconnect Liftgate power cable from battery** before repairing or servicing Liftgate.
- If it is necessary to stand on the platform while maintaining the Liftgate, keep your feet and any objects clear of the inboard edge of the platform. Your feet or objects on the platform can become trapped between the platform and the vehicle body.
- Recommended practices for welding on steel parts are contained in the current **AWS (American Welding Society) D1.1 Structural Welding Code - Steel**. Damage to Liftgate and/or vehicle, and personal injury could result from welds that are done incorrectly.
- Recommended practices for welding on aluminum parts are contained in the current **AWS (American Welding Society) D1.2 Structural Welding Code - Aluminum**. Damage to Liftgate and/or vehicle, and personal injury could result from welds that are done incorrectly.

## **SAFETY INSTRUCTIONS**

- Read and understand the instructions in this **Maintenance Manual** before performing maintenance on the Liftgate.
- Before operating the Liftgate, read and understand the operating instructions in **Operation Manual**.
- Comply with all **WARNING** and instruction decals attached to the Liftgate.
- Keep decals clean and legible. If decals are illegible or missing, replace them. Free replacement decals are available from **Maxon Customer Service**.
- Consider the safety and location of bystanders and location of nearby objects when operating the Liftgate. Stand to one side of the platform while operating the Liftgate
- Do not allow untrained persons to operate the Liftgate.
- Wear appropriate safety equipment such as protective eyeglasses, faceshield and clothing while performing maintenance on the Liftgate and handling the battery. Debris from drilling and contact with battery acid may injure unprotected eyes and skin.
- Be careful working by an automotive type battery. Make sure the work area is well ventilated and there are no flames or sparks near the battery. Never lay objects on the battery that can short the terminals together. If battery acid gets in your eyes, immediately seek first aid. If acid gets on your skin, immediately wash it off with soap and water.

**MAXON**<sup>®</sup>

11921 Slauson Ave. Santa Fe Springs, CA. 90670 (800) 227-4116 FAX (888) 771-7713

- If an emergency situation arises (vehicle or Liftgate) while operating the Liftgate, release the control switch to stop the Liftgate.
- A correctly installed Liftgate operates smoothly and reasonably quiet. The only noticeable noise during operation comes from the power unit while the platform is raised. Listen for scraping, grating and binding noises and correct the problem before continuing to operate Liftgate.
- Use only **Maxon Authorized Parts** for replacement parts. Provide Liftgate model and serial number information with your parts order. Order replacement parts from:

**MAXON LIFT CORP. Customer Service**  
**11921 Slauson Ave., Santa Fe Springs, CA 90670**

**Online: [www.maxonlift.com](http://www.maxonlift.com)**

**Express Parts Ordering: Phone (800) 227-4116 ext. 4345**

**Email: Ask your Customer Service representative**

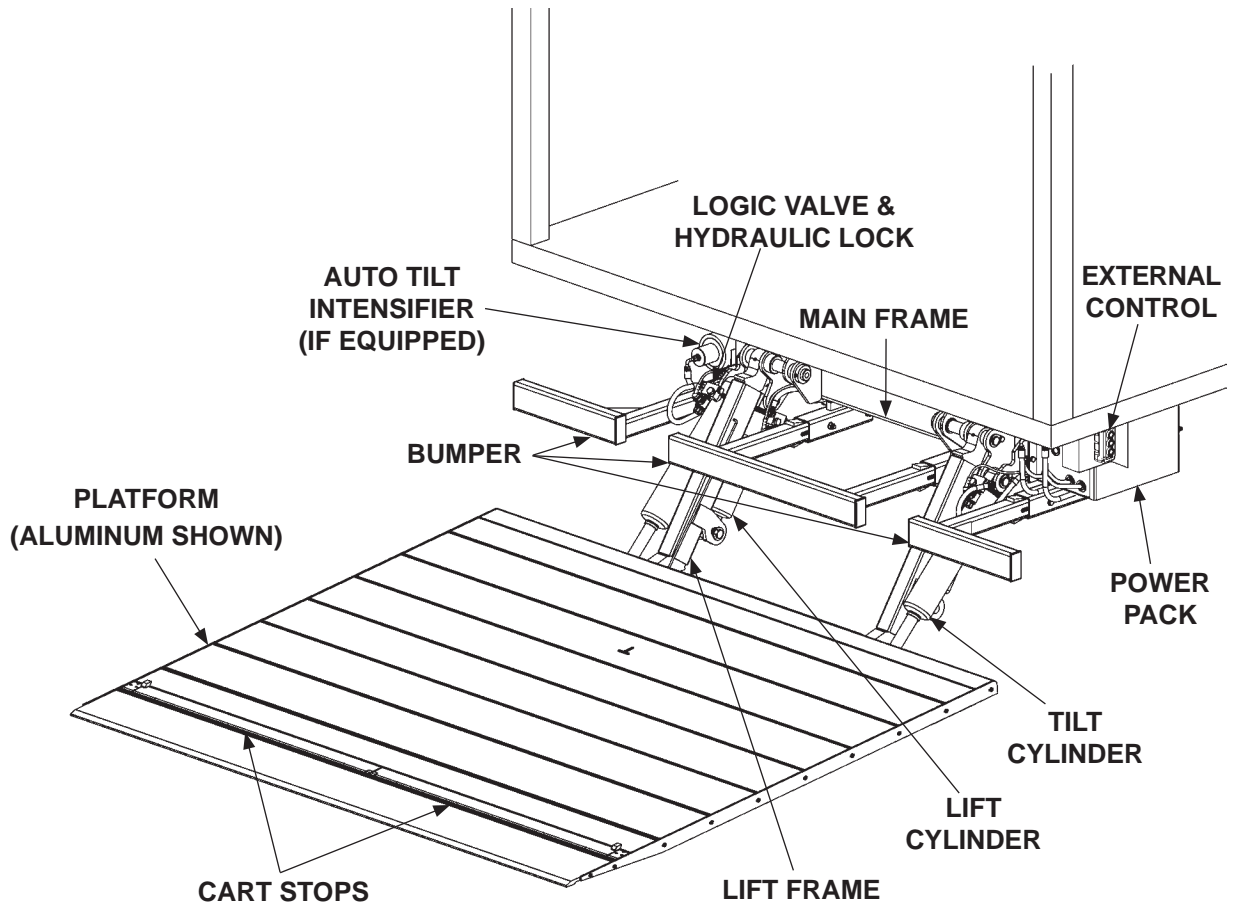
THIS PAGE INTENTIONALLY LEFT BLANK

**MAXON**<sup>®</sup>

11921 Slauson Ave. Santa Fe Springs, CA. 90670 (800) 227-4116 FAX (888) 771-7713



# LIFTGATE TERMINOLOGY



## PERIODIC MAINTENANCE PERIODIC MAINTENANCE CHECKS

### **WARNING**

**Never operate the Liftgate if parts are loose or missing.**

**NOTE:** Make sure vehicle is parked on level ground while performing the maintenance checks.

### **Quarterly or 1250 Cycles (whichever occurs first)**

Check the hydraulic fluid level in the pump reservoir. Refer to the **CHECKING HYDRAULIC FLUID** procedure in the **PERIODIC MAINTENANCE** section.

If hydraulic fluid appears contaminated, refer to the **CHANGING HYDRAULIC FLUID** procedure in the **PERIODIC MAINTENANCE** section.

Keep track of the grade of hydraulic fluid in the pump reservoir and never mix two different grades of fluid.

Check all hoses and fittings for chafing and fluid leaks. Tighten loose fittings or replace parts as required.

Check electrical wiring for chafing and make sure wiring connections are tight and free of corrosion. Use dielectric grease to protect electrical connections.

Check that all **WARNING and instruction decals** are in place. Also, make sure decals are legible, clean and undamaged.

Check that all bolts, nuts, and roll pins are in place. Replace fasteners and roll pins if necessary.

Pump multi-purpose lithium grease in each lube fitting on the cylinders and arms until grease starts oozing from ends of the bearings. The lubrication diagram on the **PERIODIC MAINTENANCE CHECKLIST** shows where to find the lube fittings. Wipe off excess grease with a clean lint-free cloth.

### **CAUTION**

**Damaged cylinder seals and contaminated hydraulic fluid can result from painting the polished portion of the cylinder rod. To prevent damage, protect the exposed polished portion of the cylinder rod while painting.**

Check for rust and oily surfaces on Liftgate. If there is rust or oil on Liftgate, clean it off. Touch up the paint where bare metal is showing. MAXON recommends using the zinc primer touchup paint kit, P/N 908134-01.

### **Semi-annually or 2500 Cycles (whichever occurs first)**

Visually check the platform hinge pins for excessive wear and broken welds. See **PARTS BREAKDOWN** section for replacement parts. Also, do the **Quarterly or 1250 Cycles** maintenance checks.

**MAXON**<sup>®</sup>

11921 Slauson Ave. Santa Fe Springs, CA. 90670 (800) 227-4116 FAX (888) 771-7713

## PERIODIC MAINTENANCE CHECKLIST

**NOTE:** Make sure vehicle is parked on level ground while performing maintenance checks.

### Quarterly or 1250 Cycles (whichever occurs first)

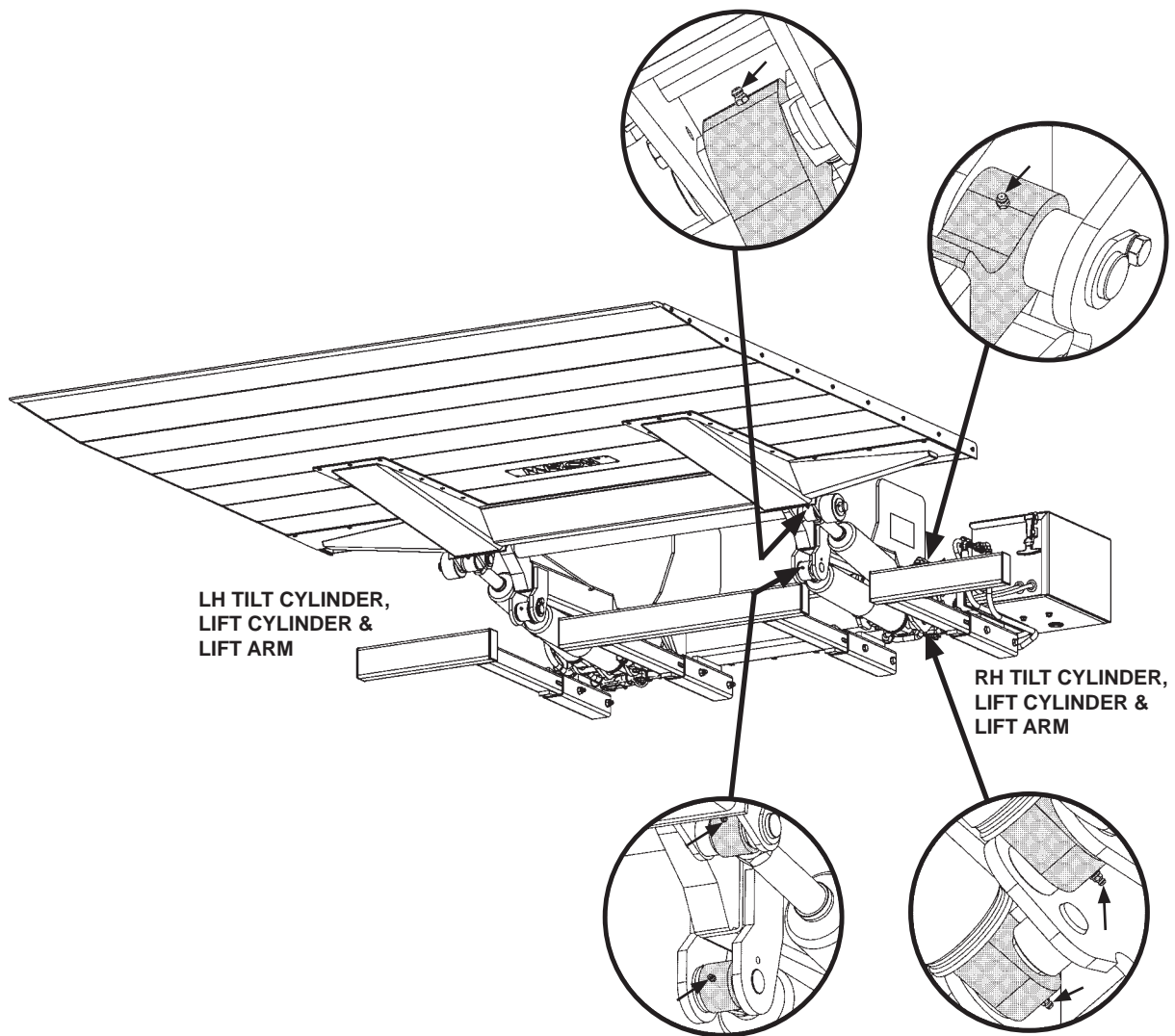
- Check the level and condition of the hydraulic fluid.
- Visually check all hoses and fittings for chafing and fluid leaks. Tighten loose fittings or replace parts as required.
- Check electrical wiring for chafing and make sure wiring connections are tight and free of corrosion. Use dielectric grease to protect electrical connections.
- Check that all **WARNING and instruction decals** are in place. Also, make sure decals are legible, clean, and undamaged.
- Check that all bolts, nuts, and roll pins are in place. Replace fasteners and roll pins if necessary.
- Check for rust and oily surfaces on Liftgate. If there is rust or oil on Liftgate or if the Liftgate is dirty, clean it off. Touch up the paint where bare metal is showing. Refer to the paint system **CAUTION** and recommended touchup kit on the preceding page.
- Pump multi-purpose lithium grease in each lube fitting on the cylinders and arms until grease starts oozing from ends of the bearings. Refer to lubrication diagram on the next page. Wipe off excess grease with a clean lint-free cloth.

### Semi-annually or 2500 Cycles (whichever occurs first)

- Do the **Quarterly or 1250 Cycles Checks** on this checklist.

# PERIODIC MAINTENANCE

**NOTE:** Lube fittings are shown for the RH tilt cylinder, RH lift cylinder, and RH arm of the lift frame. There are also lube fittings at the same places on the LH tilt cylinder, LH lift cylinder, and LH arm of the lift frame. Refer to the **PERIODIC MAINTENANCE CHECKS** and **PERIODIC MAINTENANCE CHECKLIST** for the recommended grease and maintenance interval.



**GPC LUBRICATION DIAGRAM  
FIG. 12-1**

**MAXON**<sup>®</sup>

11921 Slauson Ave. Santa Fe Springs, CA. 90670 (800) 227-4116 FAX (888) 771-7713

## CHECKING HYDRAULIC FLUID

### CAUTION

Keep dirt, water and other contaminants from entering the hydraulic system. Before opening the hydraulic fluid reservoir filler cap, drain plug and hydraulic lines, clean up contaminants that can get in the openings. Also, protect the openings from accidental contamination.

1. Tilt platform down to bed level. Then, lower platform to the ground and tilt the tip down.
2. Unlatch and open pump cover (FIG. 13-1).
3. Check the hydraulic fluid level in reservoir as follows. With platform on ground, level should be as shown in FIG. 13-2.

**NOTE:** If the hydraulic fluid in the reservoir is contaminated, do the **CHANGING HYDRAULIC FLUID** procedure in this section.

### CAUTION

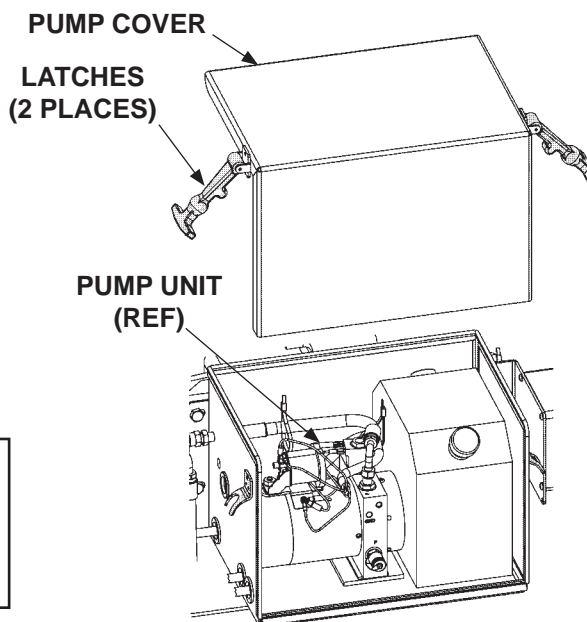
Do not fill reservoir to the **FULL** mark on the dipstick. Hydraulic fluid can overflow from the reservoir.

4. If needed, add **ISO 22** hydraulic fluid to the reservoir as follows. Remove filler cap (FIG. 13-2). Fill the reservoir with hydraulic fluid to scribe mark  $3/4$ " above bottom of dipstick (FIG. 13-2). Reinstall filler cap (FIG. 13-2).

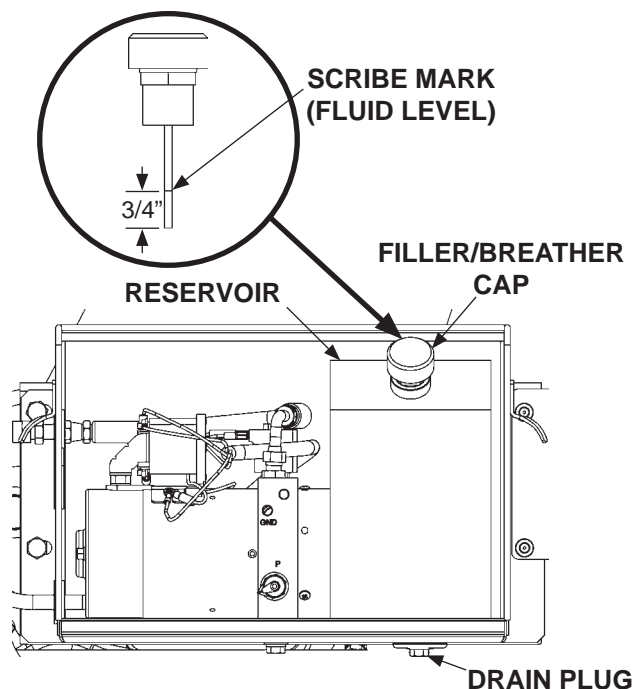
### CAUTION

Pump cover must be correctly secured to prevent it from becoming a hazard. Ensure pump cover is latched to pump box.

5. Close and latch the pump cover (FIG. 13-1).



UNLATCH/LATCH PUMP COVER  
FIG. 13-1



POWER UNIT FLUID LEVEL  
FIG. 13-2

# PERIODIC MAINTENANCE

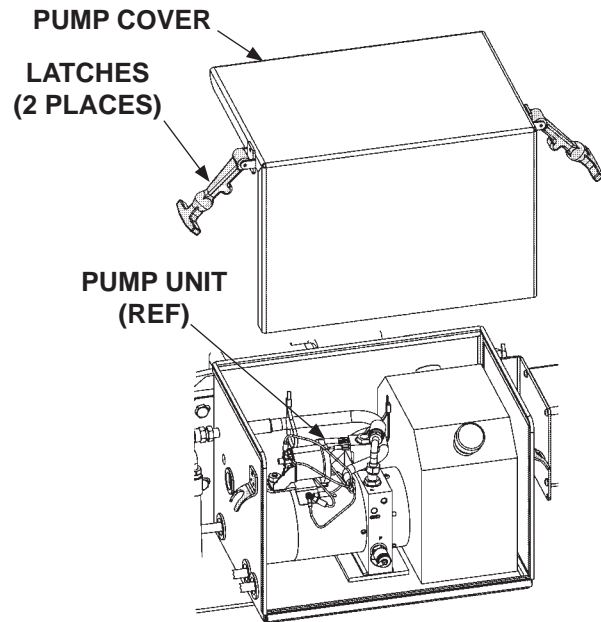
## CHANGING HYDRAULIC FLUID

### CAUTION

Keep dirt, water and other contaminants from entering the hydraulic system. Before opening the hydraulic fluid reservoir filler cap, drain plug and hydraulic lines, clean up contaminants that can get in the openings. Also, protect the openings from accidental contamination.

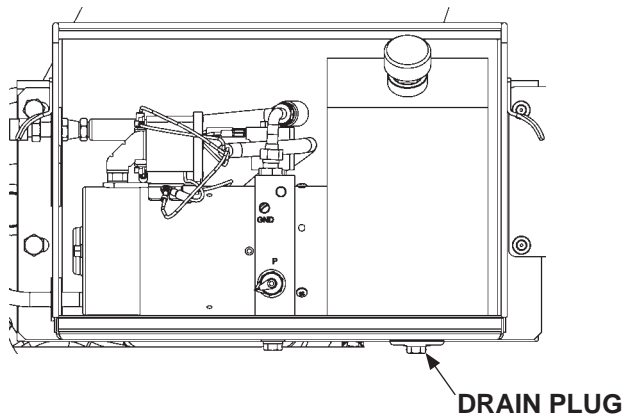
1. Raise the platform. Then tilt platform up to stowed position.

2. Unlatch and open the pump cover (FIG. 14-1).



UNLATCH PUMP COVER  
FIG. 14-1

3. Place empty 3 gallon bucket under drain plug (FIG. 14-2). Remove drain plug (FIG. 14-2) to drain hydraulic fluid.



POWER UNIT  
FIG. 14-2

4. Tilt platform down to bed level. Then, lower platform to the ground and tilt the tip down.

**MAXON**<sup>®</sup>

11921 Slauson Ave. Santa Fe Springs, CA. 90670 (800) 227-4116 FAX (888) 771-7713

- When oil stops draining, reinstall drain plug (FIG. 15-1).

### CAUTION

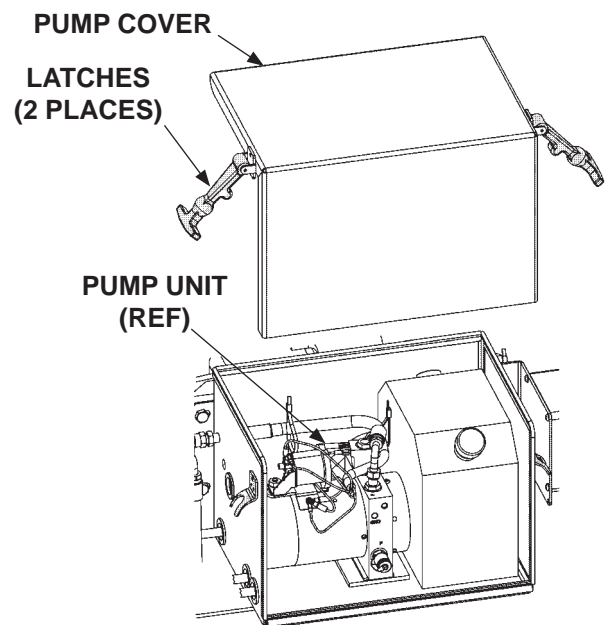
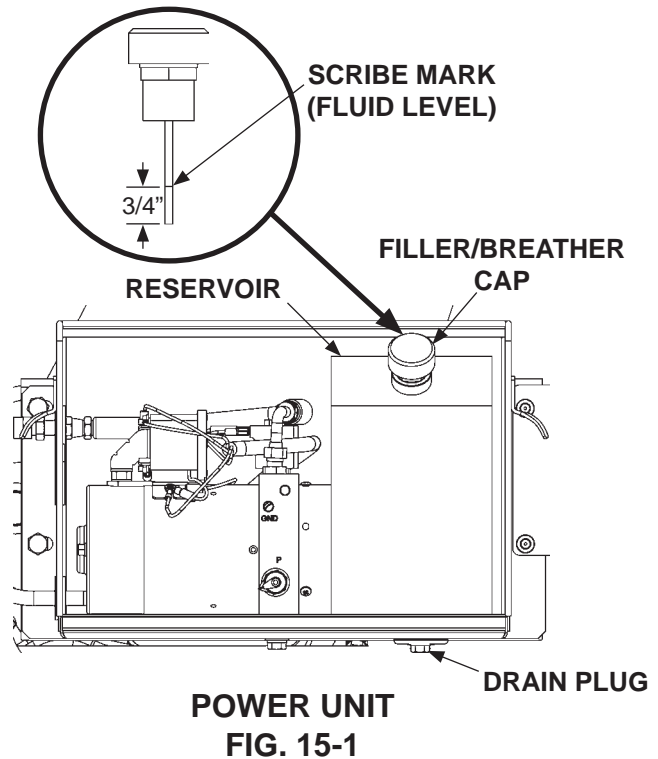
Do not fill reservoir to the FULL mark on the dipstick. Hydraulic fluid can overflow from the reservoir.

- Remove filler cap (FIG. 15-1). Add 7-1/2 quarts of ISO 22 hydraulic fluid to the reservoir. Hydraulic fluid level should be at scribe mark 3/4" above bottom of dipstick (FIG. 15-1). Reinstall filler cap (FIG. 15-1).
- Tilt tip of platform up and raise platform to bed level. Then, tilt platform up to stowed position.
- Tilt platform down to bed level. Then, lower platform to the ground and tilt the tip down.
- Check the hydraulic fluid level in pump reservoir. Level should be at the scribe mark 3/4" above bottom of dipstick as shown in FIG. 15-1.
- If needed, add fluid to the reservoir as follows. Remove filler/breather cap (FIG. 15-1). Fill the reservoir with fresh ISO VG22 hydraulic fluid up to scribe mark (FIG. 15-1). Reinstall cap (FIG. 15-1).

### CAUTION

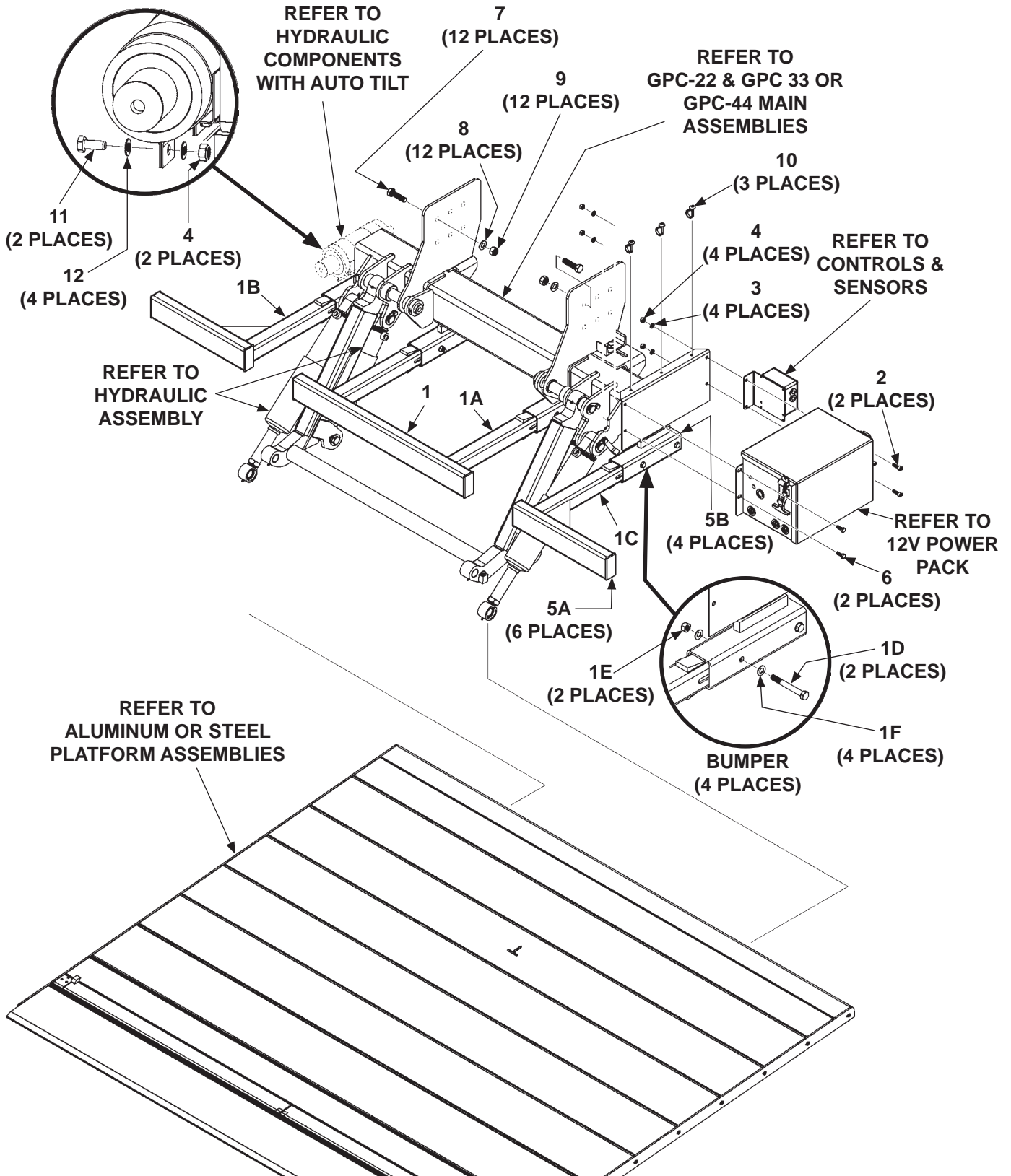
Pump cover must be correctly secured to prevent it from becoming a hazard. Ensure pump cover is latched to pump box.

- Close and latch the pump cover (FIG. 15-2).



# PARTS BREAKDOWN

## MAIN ASSEMBLY WITH STANDARD UNDERRUN BUMPER



**MAXON®**

11921 Slauson Ave. Santa Fe Springs, CA. 90670 (800) 227-4116 FAX (888) 771-7713



ITEM	QTY.	PART NO.	DESCRIPTION
1	REF	3-100866-02	STD UNDERRUN BUMPER KIT (GPC-22/-33 AUTOTILT, 750MM LEGS)
1A	1	4-100867	UNDERRUN WLDMT (STD, CENTER)
1B	1	4-100870-02	UNDERRUN WLDMT (RH, 2400 MM)
1C	1	4-100869-02	UNDERRUN WLDMT (LH, 2400 MM)
1D	8	NB13512-100	M12 X 100 HEX HEAD BOLT
1E	8	NB13512-P	M12 PLAIN TYPE NYLON LOCK NUT (GR 8.8)
1F	16	NB13512-WB	M12 PLAIN WASHER
1	REF	3-100866-03	STD UNDERRUN BUMPER KIT (GPC-44 AUTOTILT & GPC-22/-33/-44 NON-AUTOTILT, 750MM LEGS )
1A	1	4-100867-01	UNDERRUN WLDMT (STD, CENTER)
1B	1	4-100870-03	UNDERRUN WLDMT (RH, 2400 MM)
1C	1	4-100869-03	UNDERRUN WLDMT (LH, 2400 MM)
1D	8	NB13512-100	M12 X 100 HEX HEAD BOLT
1E	8	NB13512-P	M12 PLAIN TYPE NYLON LOCK NUT (GR 8.8)
1F	16	NB13512-WB	M12 PLAIN WASHER
2	2	NB13510-30SH	M10 X 30MM LG. SOCKET HEAD CAP SCREW
3	4	903435-06	WASHER, NORD-LOCK, 3/8"/M10
4	6	NB13510-P	M10 PLAIN TYPE NYLON LOCK NUT (AUTO TILT ONLY)
5	REF	PL00394	UNDERRUN END CAPS (KIT)
5A	6	5-13024	PLASTIC END CAPS, 100MM X 50MM
5B	4	5-13090	PLASTIC END CAPS, 60MM X 60MM
6	2	NB13510-30S	M10 X 30MM LG. HT SET SCREW
7	12	NB13514-50	M14 X 50MM LG. HEX HEAD BOLT (GR 8.8)
8	12	NB13514-W	M14 PLAIN WASHER
9	12	NB13514-P	M14 PLAIN TYPE NYLON LOCK NUT (GR 8.8)
10	3	EH13176	CHASSIS CABLE TIE, 14-3/4" LG.
11	2	NB13510-25S	HEX HEAD SET SCREW, M10 X 25MM LG. ( AUTO TILT ONLY)
12	4	NB13510-WB	PLAIN WASHER, M10 (AUTO TILT ONLY)



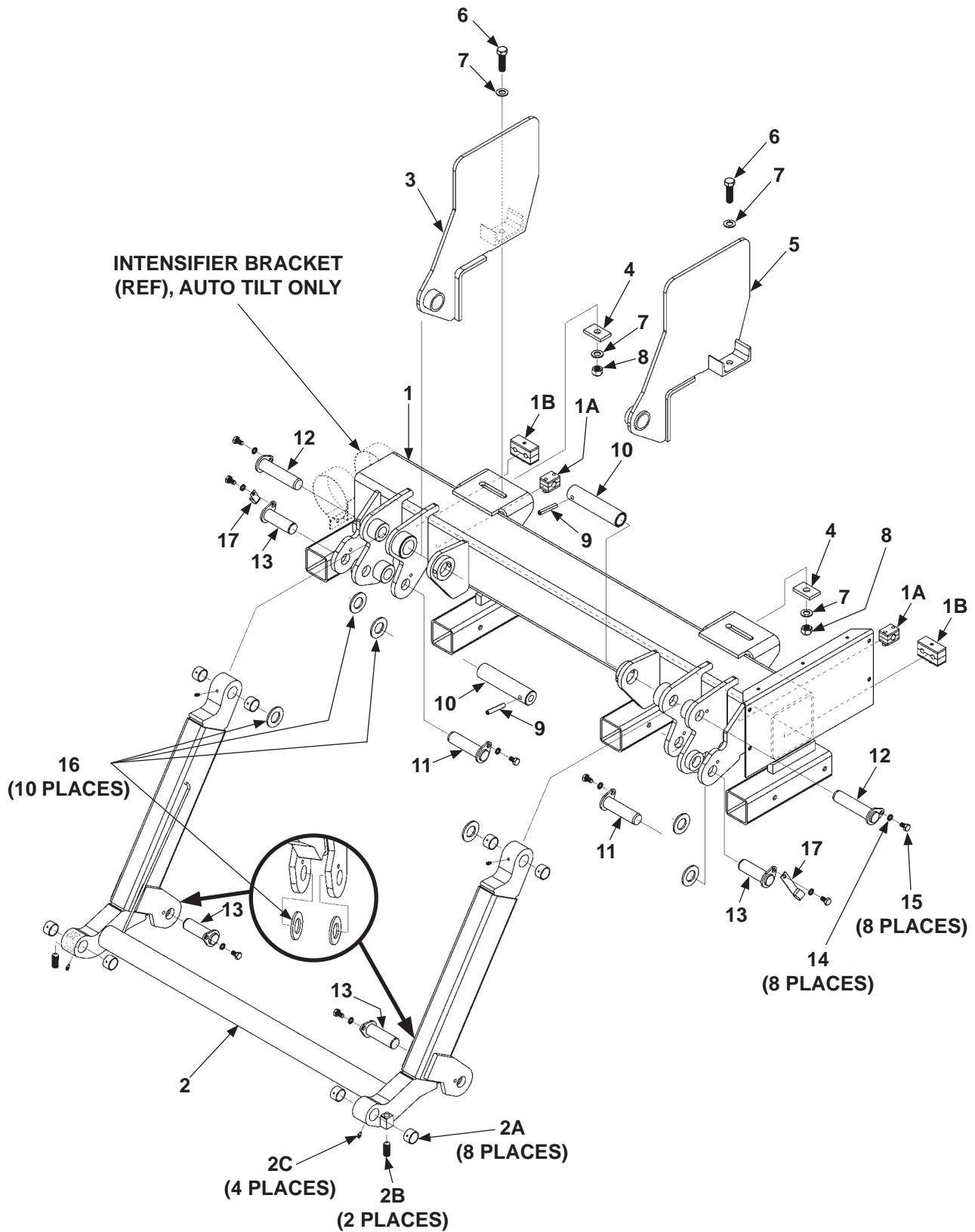
ITEM	QTY.	PART NO.	DESCRIPTION
1	REF	3-100340-01	LONG UNDERRUN BUMPER KIT (GPC-22/-33 AUTOTILT, 875/1000 MM LEGS)
1A	1	4-100341	UNDERRUN WLDMT (CENTER, LONG REACH)
1B	1	4-100343-01	UNDERRUN WLDMT (RH, LONG REACH, 2400 MM)
1C	1	4-100342-01	UNDERRUN WLDMT (LH, 2400 MM LG.)
1D	8	NB13512-100	M12 X 100 HEX HEAD BOLT
1E	8	NB13512-P	M12 PLAIN TYPE NYLON LOCK NUT (GR 8.8)
1F	16	NB13512-WB	M12 PLAIN WASHER
1	REF	3-100340-02	LONG UNDERRUN KIT (GPC-44 AUTOTILT & GPC-22/-33/-44 NON-AUTOTILT, 875/1000 MM LEGS)
1A	1	4-100341-01	UNDERRUN WLDMT (CENTER, LONG REACH, SLOTTED)
1B	1	4-100343-02	UNDERRUN WLDMT (RH, LONG REACH, SLOTTED)
1C	1	4-100342-02	UNDERRUN WLDMT (LH, SLOTTED)
1D	8	NB13512-100	M12 X 100 HEX HEAD BOLT
1E	8	NB13512-P	M12 PLAIN TYPE NYLON LOCK NUT (GR 8.8)
1F	16	NB13512-WB	M12 PLAIN WASHER
2	2	NB13510-30SH	M10 X 30MM LG. SOCKET HEAD CAP SCREW
3	4	903435-06	WASHER, NORD-LOCK, 3/8"/M10
4	6	NB13510-P	M10 PLAIN TYPE NYLON LOCK NUT (AUTO TILT ONLY)
5	REF	PL00394	UNDERRUN END CAPS (KIT)
5A	6	5-13024	PLASTIC END CAPS, 100MM X 50MM
5B	4	5-13090	PLASTIC END CAPS, 60MM X 60MM
6	2	NB13510-30S	M10 X 30MM LG. HT SET SCREW
7	12	NB13514-50	M14 X 50MM LG. HEX HEAD BOLT (GR 8.8)
8	12	NB13514-W	M14 PLAIN WASHER
9	12	NB13514-P	M14 PLAIN TYPE NYLON LOCK NUT (GR 8.8)
10	3	EH13176	CHASSIS CABLE TIE, 14-3/4" LG.
11	2	NB13510-25S	HEX HEAD SET SCREW, M10 X 25MM LG. ( AUTO TILT ONLY)
12	4	NB13510-WB	PLAIN WASHER, M10 (AUTO TILT ONLY)

# PARTS BREAKDOWN

## MAIN ASSEMBLY: GPC-22 & GPC-33

**MAXON®**

11921 Slauson Ave. Santa Fe Springs, CA. 90670 (800) 227-4116 FAX (888) 771-7713



ITEM	QTY.	PART NO.	DESCRIPTION
1	1	7-10105	MAIN BEAM (MAIN FRAME), GPC-22/33
		283839	MAIN BEAM (MAIN FRAME), GPC-22/33, WITH AUTO TILT
1A	2	5-04077-01	5/8" NB SINGLE CLAMP PIPE
1B	2	5-04078-01	5/8" NB DOUBLE CLAMP PIPE
2	1	3-099888	LIFT LEG (LIFT FRAME) ASSEMBLY (750MM LG.)
		3-099890	LIFT LEG (LIFT FRAME) ASSEMBLY (875MM LG.)
		3-099891	LIFT LEG (LIFT FRAME) ASSEMBLY (1000MM LG.)
2A	8	5-80001	BEARING PM 30 X 20MM
2B	2	5-00044	M16X40 LG. SET SCREW
2C	4	NP16	KNOCK IN GREASE NIPPLE
3	1	3-100321	MOUNTING BRKT BOLT ON (LH)
4	2	3-99323	HARDENED PLATE MOUNTING
5	1	3-100322	MOUNTING BRKT BOLT ON (RH)
6	2	NB13516-55	M16X55 HEX HEAD BOLT (GR 8.8)
7	4	NB13516-W	M16 PLAIN WASHER
8	2	NB13516-P	M16 PLAIN TYPE NYLON LOCK NUT (GR 8.8)
9	2	3-100794	MOUNTING SPINDLE BOLT ON
10	2	5-05003	M10X60 SPIROL PIN (ROLL PIN)
11	2	4-100895	PIN ASSY HEADER/LIFT FULCRUM
12	2	4-100528	PIN ASSY SWINGING LINK
13	4	4-98897	PIN ASSY CRESCENT/LIFT FRAME
14	8	903435-06	WASHER, NORD-LOCK, 3/8"/M10
15	8	NB13510-18	M10X18 HEX HEAD SET SCREW
16	10	NB13530-W	FLAT WASHER, 30MM O.D.
17	2	5-04097	3/4" P CLIP



ITEM	QTY.	PART NO.	DESCRIPTION
1	1	7-10106	MAIN BEAM (MAIN FRAME), GPC-44
		283841-01	MAIN BEAM (MAIN FRAME), GPC-44, WITH AUTO TILT
1A	2	5-04077-01	5/8" NB SINGLE CLAMP PIPE
1B	2	5-04078-01	5/8" NB DOUBLE CLAMP PIPE
2	1	3-99902	LIFT LEG (LIFT FRAME) ASSEMBLY (750MM LG.)
		3-99903	LIFT LEG (LIFT FRAME) ASSEMBLY (875MM LG.)
		3-99904	LIFT LEG (LIFT FRAME) ASSEMBLY (1000MM LG.)
2A	8	5-80001	BEARING PM 30 X 20MM
2B	2	5-00044	M16X40 LG. SET SCREW
2C	4	NP16	KNOCK IN GREASE NIPPLE
3	1	3-100321	MOUNTING BRKT BOLT ON (LH)
4	2	3-99323	HARDENED PLATE MOUNTING
5	1	3-100322	MOUNTING BRKT BOLT ON (RH)
6	2	NB13516-55	M16X55 HEX HEAD BOLT (GR 8.8)
7	4	NB13516-W	M16 PLAIN WASHER
8	2	NB13516-P	M16 PLAIN TYPE NYLON LOCK NUT (GR 8.8)
9	2	3-100794	MOUNTING SPINDLE BOLT ON
10	2	5-05003	M10X60 SPIROL PIN (ROLL PIN)
11	2	4-100895	PIN ASSY HEADER/LIFT FULCRUM
12	2	4-100528	PIN ASSY SWINGING LINK
13	4	4-98897	PIN ASSY CRESCENT/LIFT FRAME
14	8	903435-06	WASHER, NORD-LOCK, 3/8"/M10
15	8	NB13510-18	M10X18 HEX HEAD SET SCREW
16	10	NB13530-W	FLAT WASHER, 30MM O.D.
17	2	5-04097	3/4" P CLIP





ITEM	QTY.	PART NO.	DESCRIPTION
REF	1	7-10061-01	ALUMINUM PLATFORM STEEL HEEL, 2080MM DEPTH
1	1	7-10071-01	PLATFORM WLDMT, 2080 X 2400MM
2	1	7-10045-01	STEEL PLATFORM HEEL WLDMT (2400MM)
3	2	7-10067-04	PLATFORM SIDE COVER, 79" LG.
4	1	7-10066-03	TAPPING STRIP, 93" LG. (2400MM)
5	18	900705-01	SELF-TAPPING SCREW, 1/4"-20 X 1" LG.
REF	1	7-10061-02	ALUMINUM PLATFORM W/STEEL HEEL, 2080MM DEPTH
1	1	7-10071-02	PLATFORM WLDMT, 2080 X 2500MM
2	1	7-10045-02	STEEL PLATFORM HEEL WLDMT (2500MM)
3	2	7-10067-04	PLATFORM SIDE COVER, 79" LG.
4	1	7-10066-05	TAPPING STRIP, 97" LG. (2500MM)
5	18	900705-01	SELF-TAPPING SCREW, 1/4"-20 X 1" LG.
REF	1	7-10063-01	ALUMINUM PLATFORM W/STEEL HEEL, 2307MM DEPTH
1	1	7-10072-01	PLATFORM WLDMT, 2307 X 2400MM
2	1	7-10045-01	STEEL PLATFORM HEEL WLDMT (2400MM)
3	2	7-10067-05	PLATFORM SIDE COVER, 88" LG.
4	1	7-10066-03	TAPPING STRIP, 93" LG. (2400MM)
5	20	900705-01	SELF-TAPPING SCREW, 1/4"-20 X 1" LG.
REF	1	7-10063-02	ALUMINUM PLATFORM W/STEEL HEEL, 2307MM DEPTH
1	1	7-10072-02	PLATFORM WLDMT, 2307 X 2500MM
2	1	7-10045-02	STEEL PLATFORM HEEL WLDMT (2500MM)
3	2	7-10067-05	PLATFORM SIDE COVER, 88" LG.
4	1	7-10066-05	TAPPING STRIP, 97" LG. (2500MM)
5	20	900705-01	SELF-TAPPING SCREW, 1/4"-20 X 1" LG.
6	4	NB13510-16S	COUNTERSINK SET SCREW, M6 X 25MM LG.
7	11	900035-3	CAP HEX HEAD SCREW, 1/2"-13 X 1-1/2" LG.
8	11	902011-6	LOCK WASHER, 1/2" X 1/8"
9	11	902013-13	FLAT WASHER, 1/2"
10	2	900705-02	SELF-TAPPING SCREW, 1/4"-20 X 5/8" LG.
11	28	5-05019	AVDEL MONOBOLT
12	2	4-100895	PIN ASSY HEADER/LIFT FULCRUM
13	4	903435-06	WASHER, NORD-LOCK, 3/8"/M10
14	1	050175	PLATE, MAXON, 3-1/4" X 15" LG.
15	6	207644	RIVET, BLIND, 3/16" X 9/16" DOME
16	2	4-101883	PIN, ANTI-SKID ROLLER
17	2	5-05018	ROLL PIN (SELLOC), 6MM X 40MM LG.
18	2	3-101880	ROLLER (ANTISKID, YELLOW, 3-1/2" O.D.)
19	4	NB13530-W	FLAT WASHER, 30MM O.D.

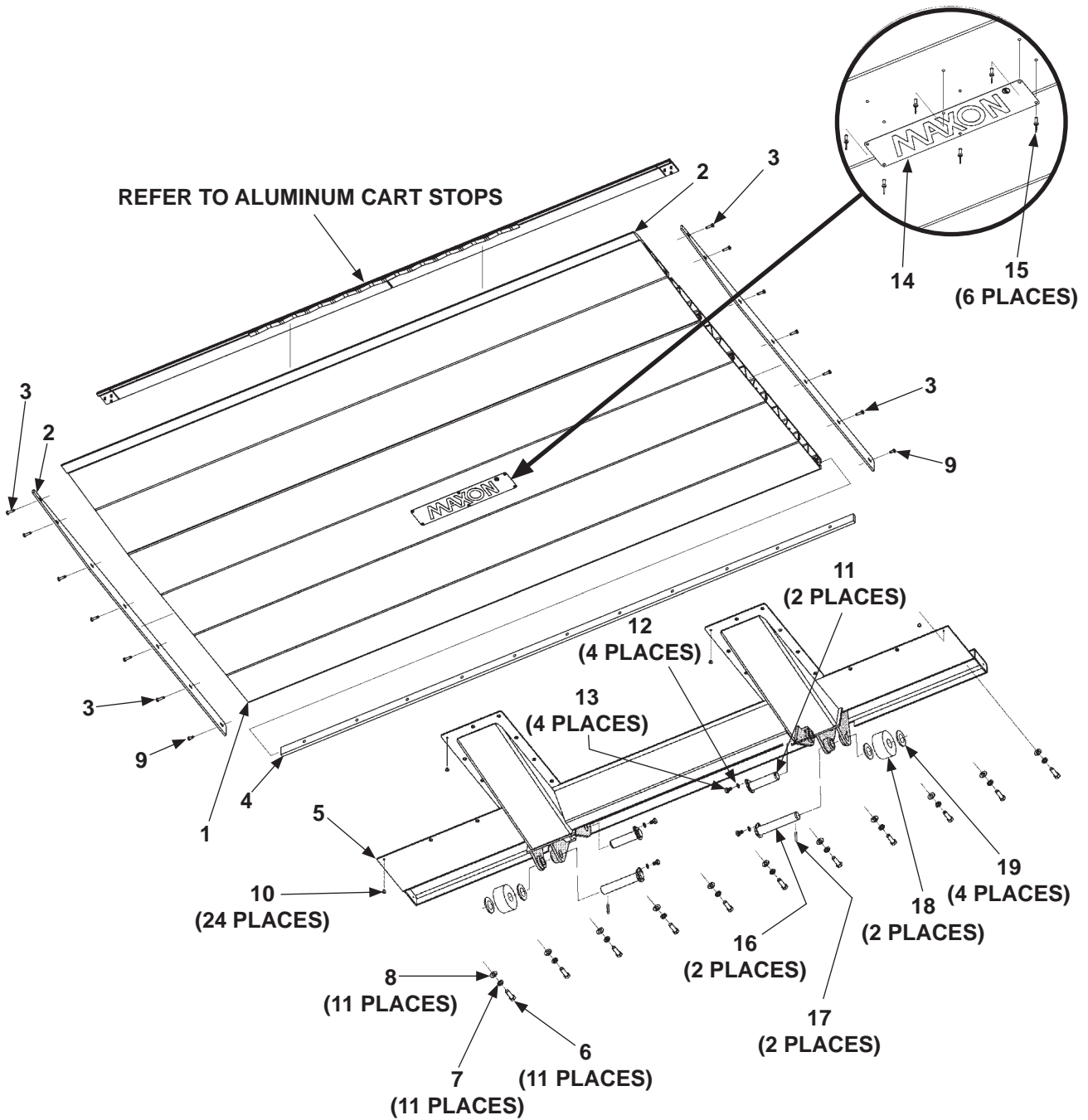


ITEM	QTY.	PART NO.	DESCRIPTION
REF	1	7-10074-03	ALUMINUM PLATFORM STEEL HEEL, 1398MM DEPTH
1	1	7-10069-03	PLATFORM WLDMT, 1398 X 2400MM
2	1	7-10067-01	PLATFORM SIDE COVER, 52-3/8" LG.
3	12	900705-01	SELF-TAPPING SCREW, 1/4"-20 X 1" LG.
REF	1	7-10075-03	ALUMINUM PLATFORM STEEL HEEL, 1625MM DEPTH
1	1	7-10070-03	PLATFORM WLDMT, 1625 X 2400MM
2	1	7-10067-02	PLATFORM SIDE COVER, 61-5/16" LG.
3	14	900705-01	SELF-TAPPING SCREW, 1/4"-20 X 1" LG.
REF	1	7-10076-03	ALUMINUM PLATFORM STEEL HEEL, 1852MM DEPTH
1	1	7-10060-03	PLATFORM WLDMT, 1852 X 2400MM
2	1	7-10067-03	PLATFORM SIDE COVER, 70-1/4" LG.
3	16	900705-01	SELF-TAPPING SCREW, 1/4"-20 X 1" LG.
REF	1	7-10090-01	ALUMINUM PLATFORM STEEL HEEL, 1169MM DEPTH
1	1	7-10091-01	PLATFORM WLDMT, 1169 X 2400MM
2	1	7-10067-07	PLATFORM SIDE COVER, 43-3/8" LG.
3	10	900705-01	SELF-TAPPING SCREW, 1/4"-20 X 1" LG.
4	1	7-10066-03	TAPPING STRIP, 93" LG.
5	1	7-10055-03	STEEL PLATFORM HEEL WLDMT (2400MM)
6	11	900035-3	CAP HEX HEAD SCREW, 1/2"-13 X 1-1/2" LG.
7	11	902011-6	LOCK WASHER, 1/2" X 1/8"
8	11	902013-13	FLAT WASHER, 1/2"
9	2	900705-02	SELF-TAPPING SCREW, 1/4"-20 X 5/8" LG.
10	24	5-05019	AVDEL MONOBOLT
11	2	4-100895	PIN ASSY HEADER/LIFT FULCRUM
12	4	903435-06	WASHER, NORD-LOCK, 3/8"/M10
13	4	NB13510-16S	COUNTERSINK SET SCREW, M10 X 25MM LG.
14	1	050175	PLATE, MAXON HORZ, 3-1/4" X 15" LG.
15	6	207644	RIVET, BLIND, 3/16" X 9/16" DOME
16	2	4-101883	PIN, ANTI-SKID ROLLER
17	2	5-05018	ROLL PIN (SELLOC), 6MM X 40MM LG.
18	2	3-101880	ROLLER (ANTISKID, YELLOW, 3-1/2" O.D.)
19	4	NB13530-W	FLAT WASHER, 30MM O.D.

# PARTS BREAKDOWN ALUMINUM PLATFORM ASSEMBLY

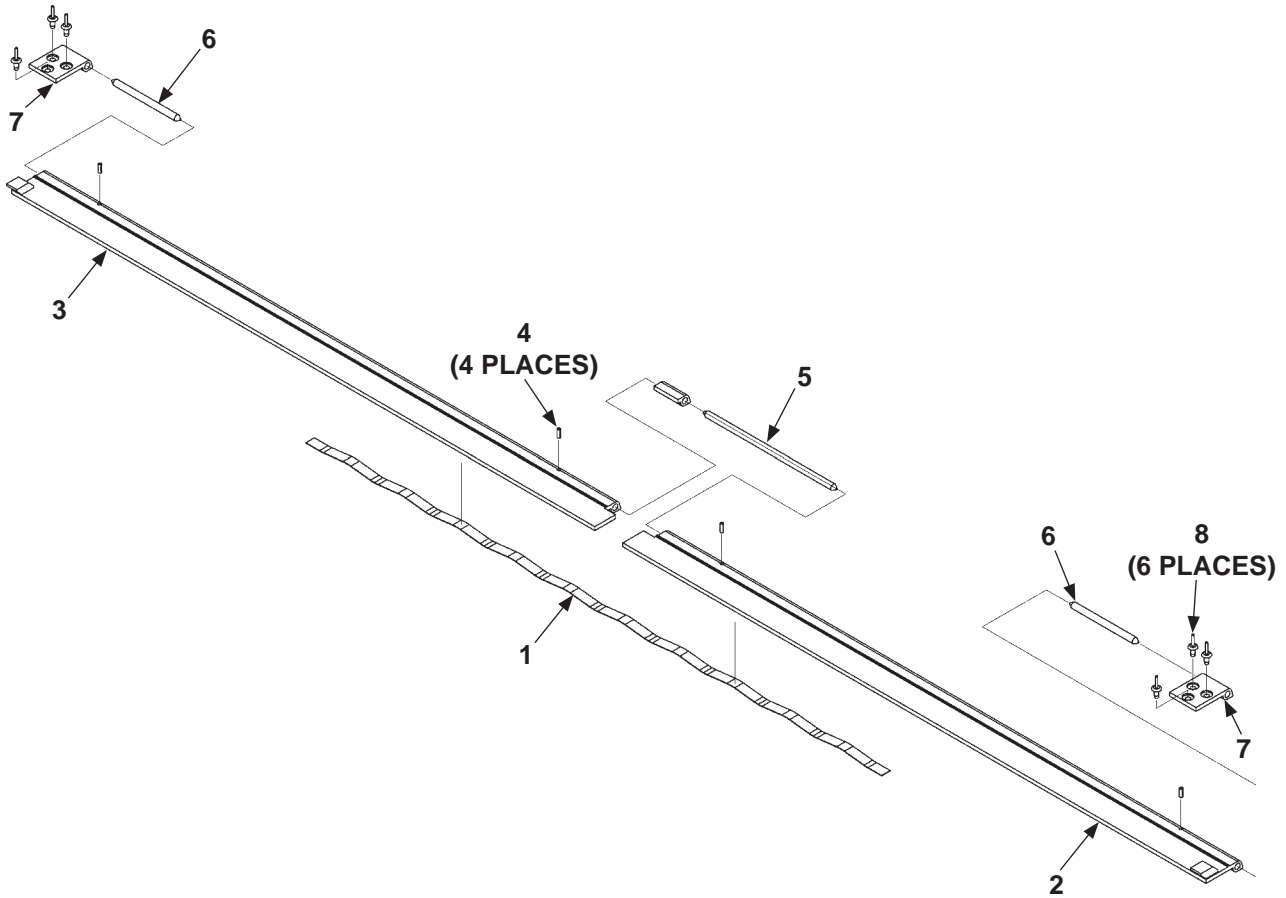
**MAXON®**

11921 Slauson Ave. Santa Fe Springs, CA. 90670 (800) 227-4116 FAX (888) 771-7713



ITEM	QTY.	PART NO.	DESCRIPTION
REF	1	7-10074-05	ALUMINUM PLATFORM STEEL HEEL, 1398MM DEPTH
1	1	7-10069-05	PLATFORM WLDMT, 1398 X 2500MM
2	1	7-10067-01	PLATFORM SIDE COVER, 52-3/8" LG.
3	12	900705-01	SELF-TAPPING SCREW, 1/4"-20 X 1" LG.
REF	1	7-10075-05	ALUMINUM PLATFORM STEEL HEEL, 1625MM DEPTH
1	1	7-10070-05	PLATFORM WLDMT, 1625 X 2500MM
2	1	7-10067-02	PLATFORM SIDE COVER, 60-5/16" LG.
3	14	900705-01	SELF-TAPPING SCREW, 1/4"-20 X 1" LG.
REF	1	7-10076-05	ALUMINUM PLATFORM STEEL HEEL, 1852MM DEPTH
1	1	7-10060-03	PLATFORM WLDMT, 1852 X 2500MM
2	1	7-10067-03	PLATFORM SIDE COVER, 70-1/4" LG.
3	16	900705-01	SELF-TAPPING SCREW, 1/4"-20 X 1" LG.
REF	1	7-10090-02	ALUMINUM PLATFORM STEEL HEEL, 1169MM DEPTH
1	1	7-10091-01	PLATFORM WLDMT, 1169 X 2500MM
2	1	7-10067-07	PLATFORM SIDE COVER, 43-3/8" LG.
3	10	900705-01	SELF-TAPPING SCREW, 1/4"-20 X 1" LG.
4	1	7-10066-05	TAPPING STRIP, 97" LG.
5	1	7-10055-05	STEEL PLATFORM HEEL WLDMT (2500MM)
6	11	900035-3	CAP HEX HEAD SCREW, 1/2"-13 X 1-1/2" LG.
7	11	902011-6	LOCK WASHER, 1/2" X 1/8"
8	11	902013-13	FLAT WASHER, 1/2"
9	2	900705-02	SELF-TAPPING SCREW, 1/4"-20 X 5/8" LG.
10	24	5-05019	AVDEL MONOBOLT
11	2	4-100895	PIN ASSY HEADER/LIFT FULCRUM
12	4	903435-06	WASHER, NORD-LOCK, 3/8"/M10
13	4	NB13510-16S	COUNTERSINK SET SCREW, M10 X 25MM LG.
14	1	050175	PLATE, MAXON, 3-1/4" X 15" LG.
15	6	207644	RIVET, BLIND, 3/16" X 9/16" DOME
16	2	4-101883	PIN, ANTI-SKID ROLLER
17	2	5-05018	ROLL PIN (SELLOC), 6MM X 40MM LG.
18	2	3-101880	ROLLER (ANTISKID, YELLOW, 3-1/2" O.D.)
19	4	NB13530-W	FLAT WASHER, 30MM O.D.

# PARTS BREAKDOWN ALUMINUM CART STOPS



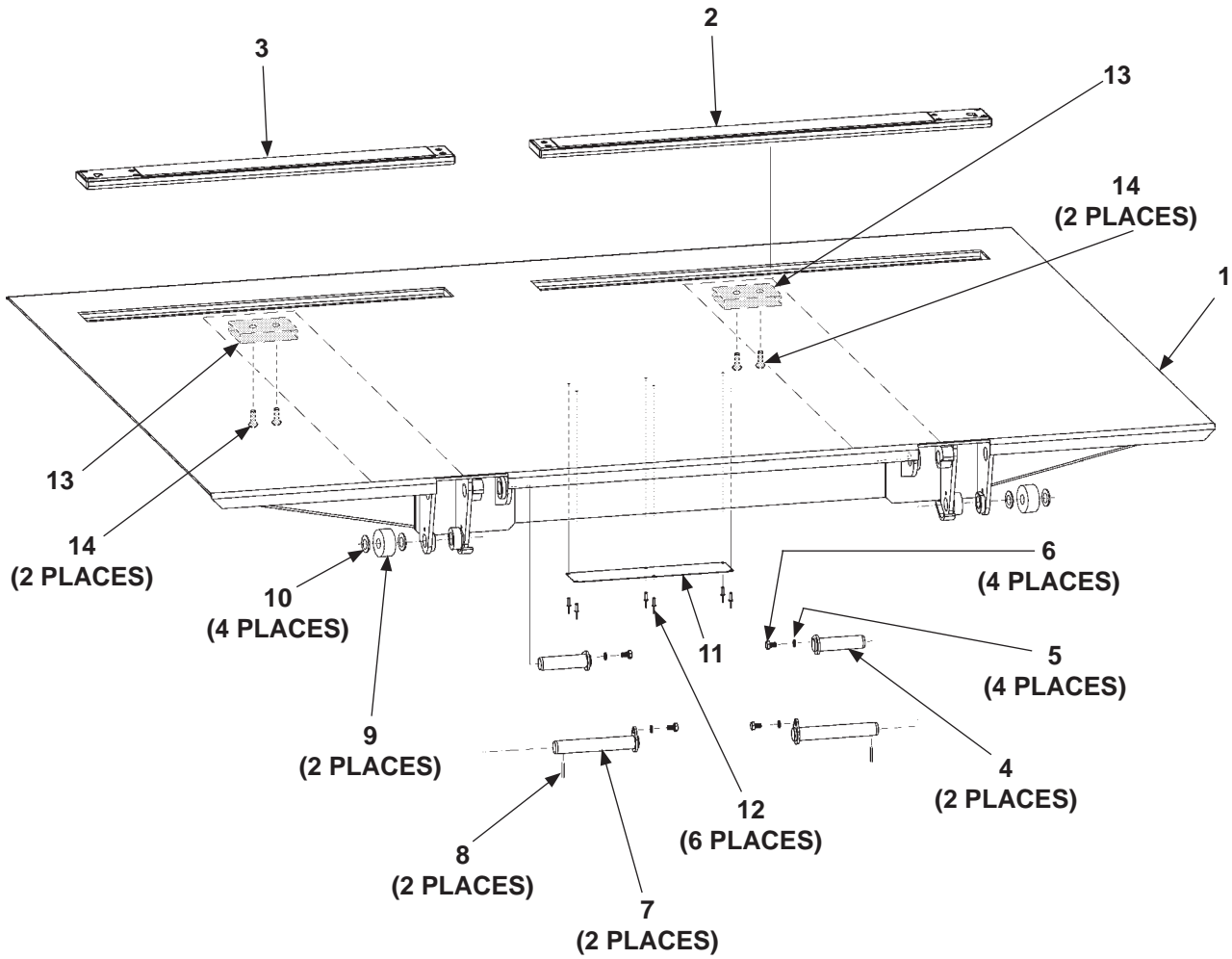
ITEM	QTY.	PART NO.	DESCRIPTION
REF	1	7-10065-03	CART STOP ASSEMBLY (ALUMINUM PLATFORMS), 94"
		7-10065-05	CART STOP ASSEMBLY (ALUMINUM PLATFORMS), 98"
1	1	267581-01	SPRING, F/OVER CART STOP, 5/8" X 42" LG.
2	1	267092-22	CART STOP WLDMT, 44.85" LG, RH (94-1/2" PLATFORM)
		267092-26	CART STOP WLDMT, 46.85" LG, RH (98-1/2" PLATFORM)
3	1	267092-23	CART STOP WLDMT, 44.85" LG, LH (94-1/2" PLATFORM)
		267092-27	CART STOP WLDMT, 46.85" LG, LH (98-1/2" PLATFORM)
4	4	904719-03	ROLL PIN, 3/16" X 9/16" LG, SS
5	1	267094-04	CART STOP PIN, 9-3/4" LG.
6	2	267094-03	CART STOP PIN, 5" LG.
7	2	267088-01	CART STOP LINK
8	6	903705-02	RIVET, BLIND, DOME, ALUMINUM & STEEL, 1/4" X 5/8"

**MAXON®**

11921 Slauson Ave. Santa Fe Springs, CA. 90670 (800) 227-4116 FAX (888) 771-7713

THIS PAGE INTENTIONALLY LEFT BLANK

# PARTS BREAKDOWN STEEL PLATFORM ASSEMBLY



**MAXON®**

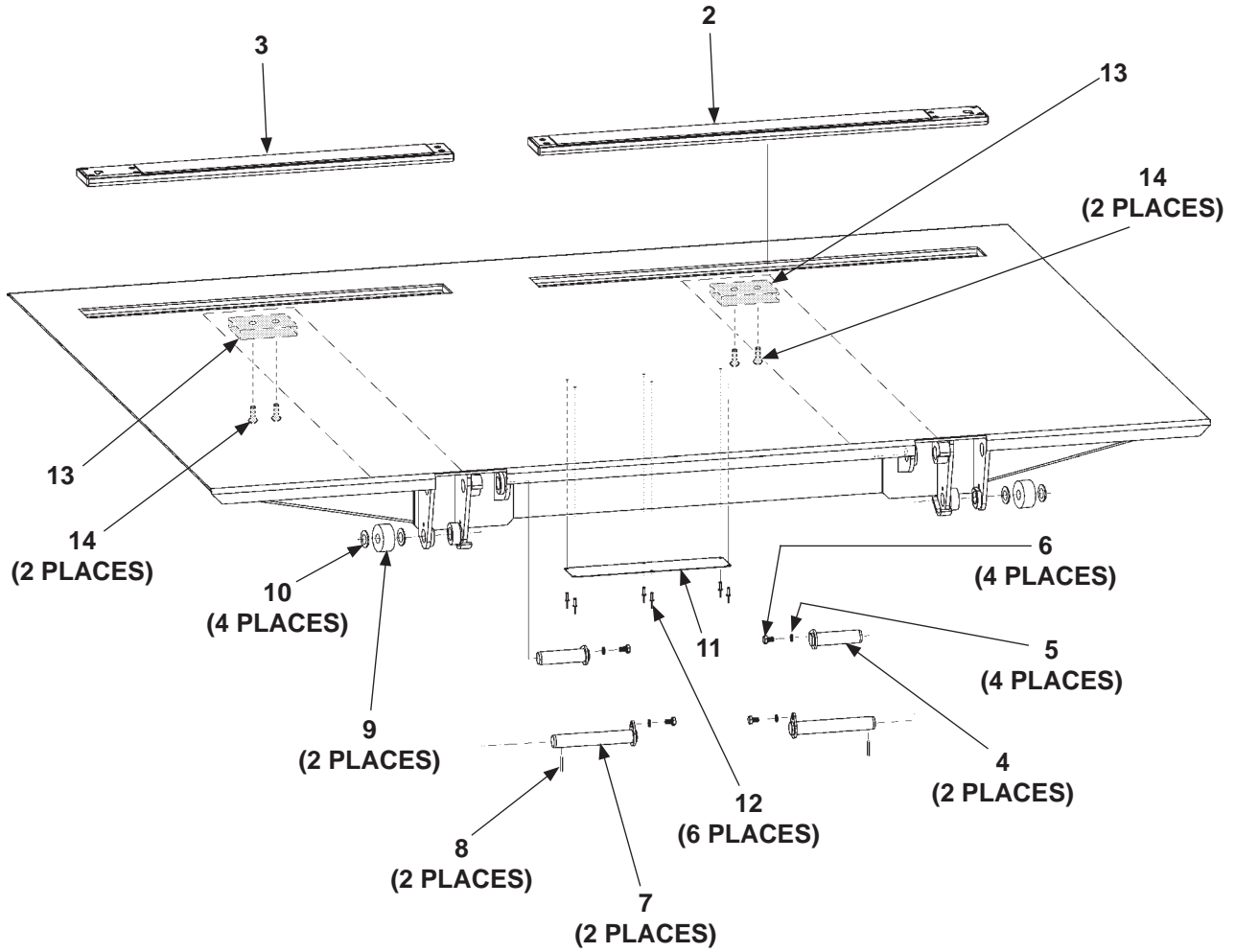
11921 Slauson Ave. Santa Fe Springs, CA. 90670 (800) 227-4116 FAX (888) 771-7713



ITEM	QTY.	PART NO.	DESCRIPTION
REF	1	1-098112-2400	STEEL PLATFORM ASSEMBLY 1220 X 2400MM (GPC-22)
1	1	7-10092-2400	STEEL PLATFORM WLDMT, 1220 X 2400MM
REF	1	1-098112-2500	STEEL PLATFORM ASSEMBLY, 1220 X 2500MM (GPC-22)
1	1	7-10092-2500	STEEL PLATFORM WLDMT, 1220 X 2500MM
REF	1	1-98114-2400	STEEL PLATFORM ASSEMBLY, 1860 X 2400MM (GPC-33)
1	1	7-10094-2400	STEEL PLATFORM WLDMT, 1860 X 2400MM
REF		1-098114-2500	STEEL PLATFORM ASSEMBLY, 1860 X 2500MM (GPC-33)
1		7-10094-2500	STEEL PLATFORM WLDMT, 1860 X 2500MM
REF	1	1-099191-2400	STEEL PLATFORM ASSEMBLY, 2170 X 2400MM (GPC-33,44)
1	1	7-10093-2400	STEEL PLATFORM WLDMT, 2170 X 2400MM
REF	1	1-099191-2500	STEEL PLATFORM ASSEMBLY, 2170 X 2500MM (GPC-33,44)
1	1	7-10093-2500	STEEL PLATFORM WLDMT, 2170 X 2500MM
REF	1	7-10100-2400	STEEL PLATFORM ASSEMBLY, 1860 X 2400MM (GPC-44)
1	1	7-10100-2400	STEEL PLATFORM WLDMT, 1860 X 2400MM
REF	1	7-10100-2500	STEEL PLATFORM ASSEMBLY, 1860 X 2500MM (GPC-44)
1	1	7-10100-2500	STEEL PLATFORM WLDMT, 1860 X 2500MM
REF	1	1-099748-2400	STEEL PLATFORM ASSEMBLY, 2440 X 2400MM (GPC-44)
1	1	7-10095-2400	STEEL PLATFORM WLDMT, 2440 X 2400MM
REF	1	1-099748-2500	STEEL PLATFORM ASSEMBLY, 2440 X 2500MM (GPC-44)
1	1	7-10095-2500	STEEL PLATFORM WLDMT, 2440 X 2500MM

# PARTS BREAKDOWN

## STEEL PLATFORM ASSEMBLY (Continued)



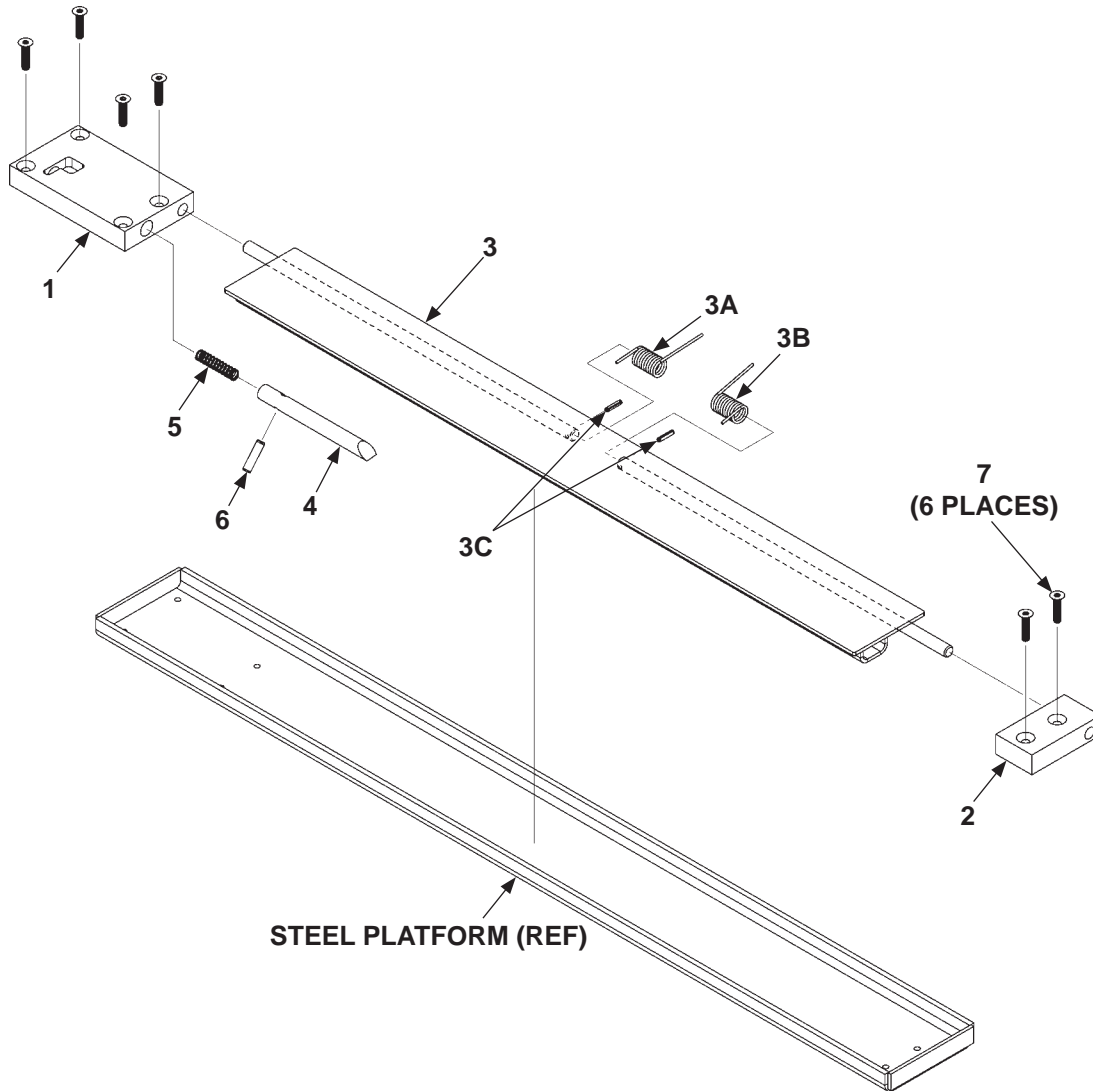
**MAXON®**

11921 Slauson Ave. Santa Fe Springs, CA. 90670 (800) 227-4116 FAX (888) 771-7713

ITEM	QTY.	PART NO.	DESCRIPTION
2	1	3-99238	TROLLEY STOP, 900MM LG. (LH CART STOP)
3	1	3-99237	TROLLEY STOP, 700MM LG. (RH CART STOP)
4	2	4-100895	PIN ASSY HEADER/LIFT FULCRUM
5	4	903435-06	WASHER, NORD-LOCK, 3/8"/M10
6	4	NB13510-16S	M10 X 16 HEX HEAD SET SCREW
7	2	4-101883	PIN, ANTI-SKID ROLLER
8	2	5-05018	ROLL PIN (SELLOC), 6MM X 40MM LG.
9	2	3-101880	ROLLER (ANTISKID, YELLOW, 3-1/2" O.D.)
10	4	NB13530-W	FLAT WASHER, 30MM O.D.
11	1	050175	PLATE, MAXON, 3-1/4" X 15" LG.
12	6	207644	RIVET, BLIND, 3/16" X 9/16" DOME
13	2	DL0223	PAD (YELLOW PLASTIC)
14	4	NB13508-35CS	M8 X 35 COUNTERSINK HEAD SCREW

# PARTS BREAKDOWN

## STEEL CART STOP (700MM FLAP)

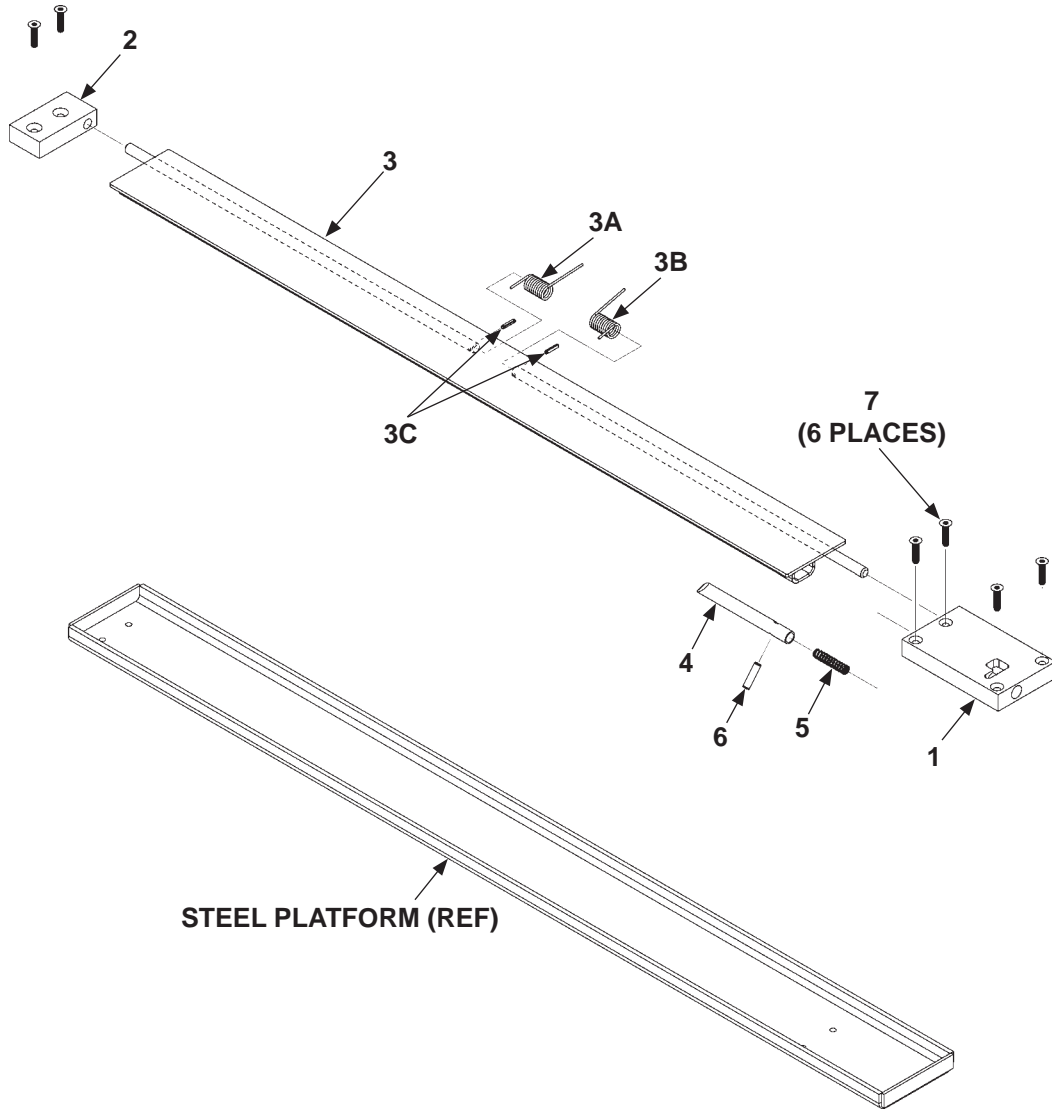


ITEM	QTY.	PART NO.	DESCRIPTION
REF	1	3-99237	TROLLEY STOP, 700MM LG. (RH CART STOP)
1	1	4-96760	PIVOT BLOCK, SHOOT BOLT
2	1	4-96529	PIVOT BLOCK
3	1	3-99244	TROLLEY STOP FLAP ASSEMBLY (700MM LG.)
3A	1	4-95931	RIGHT HAND (TORSION) SPRING
3B	1	4-95932	LEFT HAND (TORSION) SPRING
3C	2	5-05013	SELLOC PIN, 3MM X 16MM LG.
4	1	4-96764	SHOOT BOLT (OFFSIDE)
5	1	4-96766	SPRING, SHOOT BOLT
6	1	905033	ROLL PIN, 1/4" DIA. X 1" LG.
7	6	NB13506-25CS	COUNTERSINK SET SCREW, M6 X 25MM LG.

**MAXON®**

11921 Slauson Ave. Santa Fe Springs, CA. 90670 (800) 227-4116 FAX (888) 771-7713

## STEEL CART STOP (900MM FLAP)



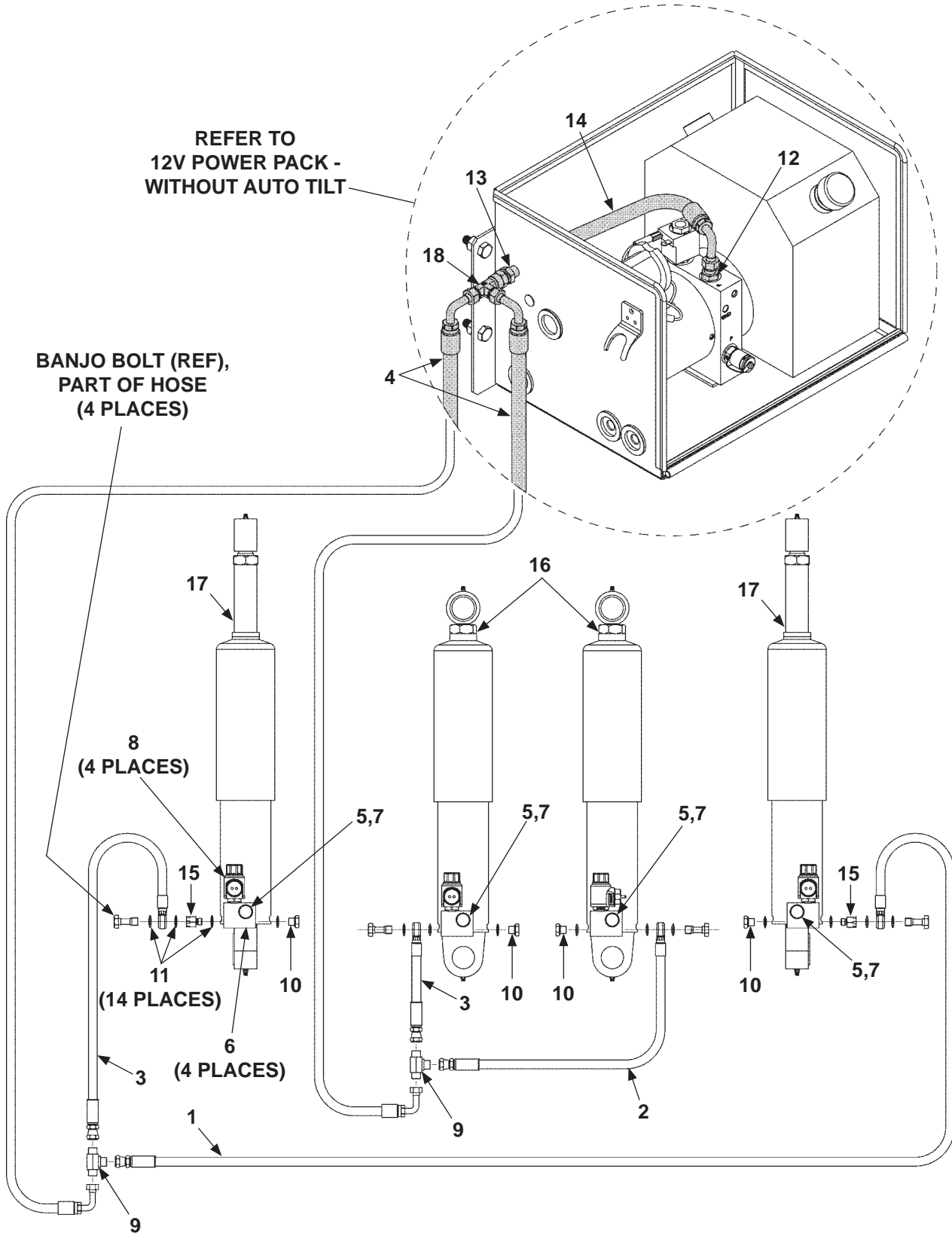
ITEM	QTY.	PART NO.	DESCRIPTION
REF	1	3-99238	TROLLEY STOP, 900MM LG. (LH CART STOP)
1	1	4-96760	PIVOT BLOCK, SHOOT BOLT
2	1	4-96529	PIVOT BLOCK
3	1	3-99244	TROLLEY STOP FLAP ASSEMBLY (900MM LG.)
3A	1	4-95931	RIGHT HAND (TORSION) SPRING
3B	1	4-95932	LEFT HAND (TORSION) SPRING
3C	2	5-05013	SELLOC PIN, 3MM X 16MM LG.
4	1	4-96764	SHOOT BOLT (OFFSIDE)
5	1	4-96766	SPRING, SHOOT BOLT
6	1	905033	ROLL PIN, 1/4" DIA. X 1" LG.
7	6	NB13506-25CS	COUNTERSINK SET SCREW, M6 X 25MM LG.

# PARTS BREAKDOWN

## HYDRAULIC COMPONENTS - WITHOUT AUTO TILT

**MAXON®**

11921 Slauson Ave. Santa Fe Springs, CA. 90670 (800) 227-4116 FAX (888) 771-7713



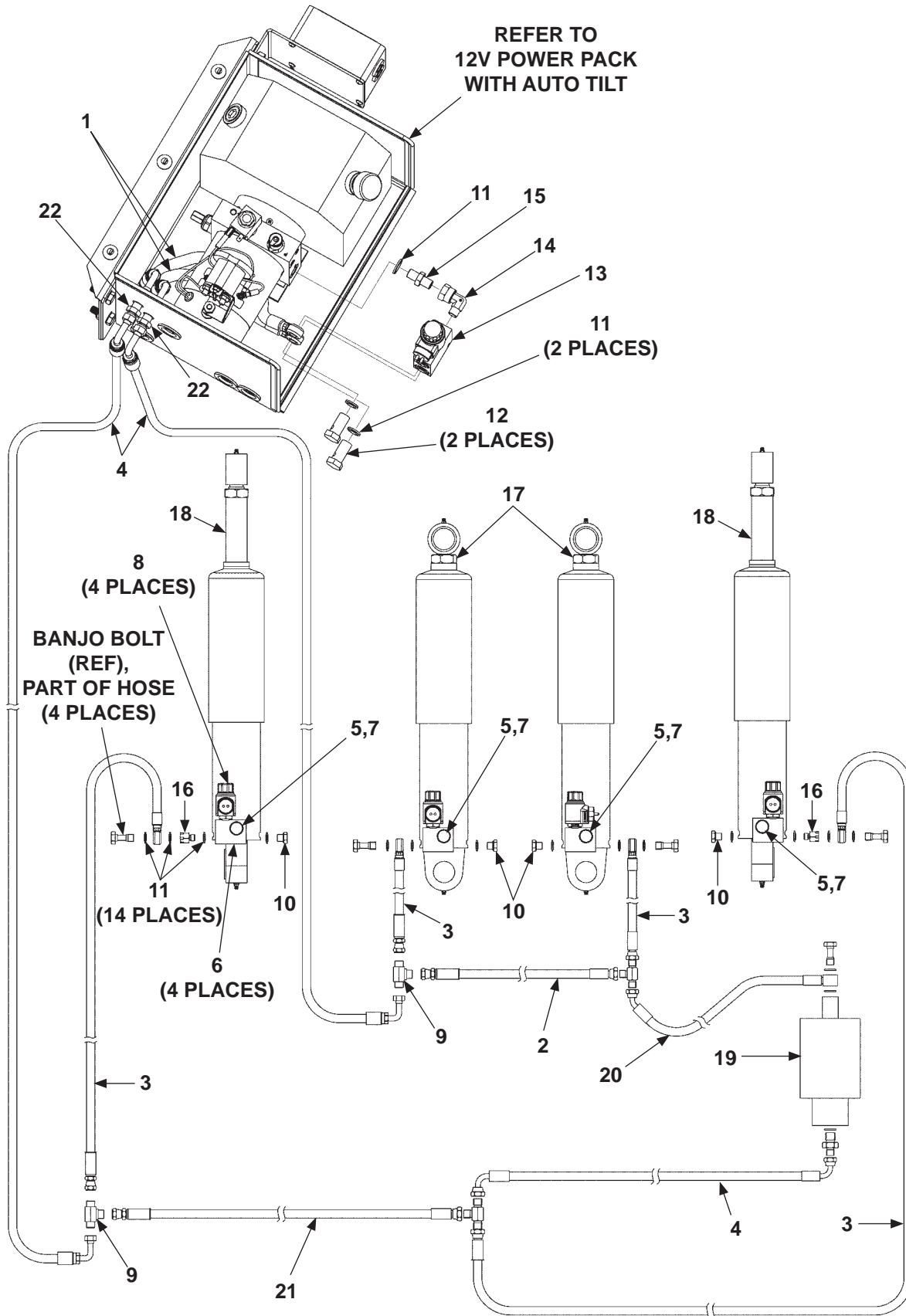
ITEM	QTY.	PART NO.	DESCRIPTION
1	1	4-101578-01	FLEXIBLE HOSE, 3/8" X 78-3/4" LG.
2	1	4-101572-01	FLEXIBLE HOSE, 3/8" X 76" LG.
3	2	4-101573-01	FLEXIBLE HOSE, 3/8" X 27-9/16" LG.
4	2	4-101571-01	FLEXIBLE HOSE ASSY, 3/8 X 27-9/16" LG. (POWER PACK)
5	9	5-02008	3/8" BSP DOWTY TYPE BONDED WASHER
6	4	5-12036	DVL MANIFOLD BLOCK 1/4" BSP PORT
7	4	5-12037	3/8" BSP BANJO BOLT (SPECIAL LENGTH)
8	4	5-30036	12V LOGIC VALVE
9	2	HH13607	3/8" BSPP MALE TEE
10	4	HH13580	1/4" BSPP BLANKING PLUG
11	14	5-02007	1/4" BSP DOWTY SEAL
12	1	286547-01	ADAPTER, SAE #6 M X 3/8" BSPP 60° M CONE
13	1	HH13599	1/4" BSPP BULKHEAD ADAPTER
14	1	4-103038-01	HOSE ASSY, 3/8" X 11" LG.
15	2	HH13287	BANJO SPACER
16	2	3-96737-101-1	LIFT CYLINDER, 19.17" LG., RETRACTED
17	2	3-104005-01	TILT CYLINDER WITH COVER (FOR 750MM ARM)
		3-104006-01	TILT CYLINDER WITH COVER (FOR 875MM ARM)
		3-104007-01	TILT CYLINDER WITH COVER (FOR 1000MM ARM)
18	1	5-15056-01	BSPP 1/4" M/M/F, SWIVEL NUT TEE

**MAXON**<sup>®</sup>

11921 Slauson Ave. Santa Fe Springs, CA. 90670 (800) 227-4116 FAX (888) 771-7713

# PARTS BREAKDOWN

## HYDRAULIC COMPONENTS - WITH AUTO TILT





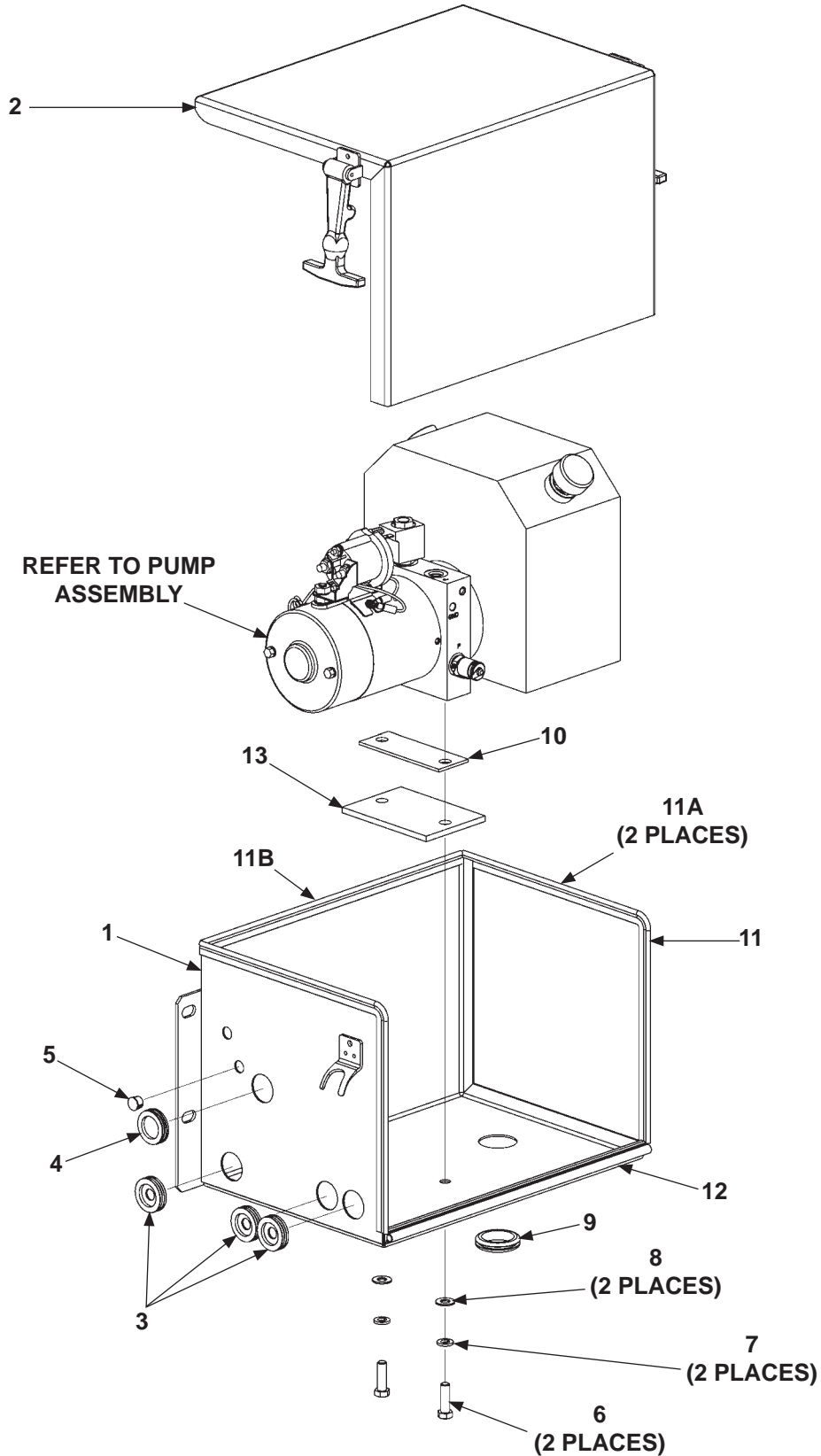
ITEM	QTY.	PART NO.	DESCRIPTION
1	2	3-099397	HOSE ASSY, 1/4" BANJO
2	1	4-102217	FLEXIBLE HOSE, 3/8" BSP X 50-1/2" LG.
3	4	4-101573	FLEXIBLE HOSE, 3/8" X 27-9/16" LG.
4	3	4-101571-01	FLEXIBLE HOSE ASSY, 3/8 X 27-9/16" LG. (POWER PACK)
5	12	5-02008	3/8" BSP DOWTY TYPE BONDED WASHER
6	4	5-12036	DVL MANIFOLD BLOCK 1/4BSP PORT
7	4	5-12037	3/8" BSP BANJO BOLT (SPECIAL LENGTH)
8	4	5-30036	12V LOGIC VALVE
9	4	HH13607	3/8" BSPP MALE TEE
10	4	HH13580	1/4" BSPP BLANKING PLUG
11	18	5-02007	1/4" BSP DOWTY SEAL
12	2	268672-02	BANJO BOLT, M16 X 1-1/2"
13	1	5-12063	12V CHANGE OVER VALVE
14	1	286550	ELBOW, BSPP 60° M CONE X 60° F SWIVEL
15	1	286549-01	ADAPTER, SAE #6 M X 1/4" BSPP 60° M CONE
16	2	HH13287	BANJO SPACER
17	2	283851-01	LIFT CYLINDER, 19.17" LG. RETRACTED
18	2	3-104005-01	TILT CYLINDER WITH COVER (FOR 750MM ARM)
		3-104006-01	TILT CYLINDER WITH COVER (FOR 875MM ARM)
		3-104007-01	TILT CYLINDER WITH COVER (FOR 1000MM ARM)
19	1	3-95150	INTENSIFIER
20	1	4-102241	FLEXIBLE HOSE, 3/8", 8" LG.
21	1	4-102240	FLEXIBLE HOSE 3/8", 53" LG.
22	2	HH13599	1/4" BSPP BULKHEAD ADAPTER

# PARTS BREAKDOWN

## 12V POWER PACK - WITHOUT AUTO TILT

**MAXON®**

11921 Slauson Ave. Santa Fe Springs, CA. 90670 (800) 227-4116 FAX (888) 771-7713



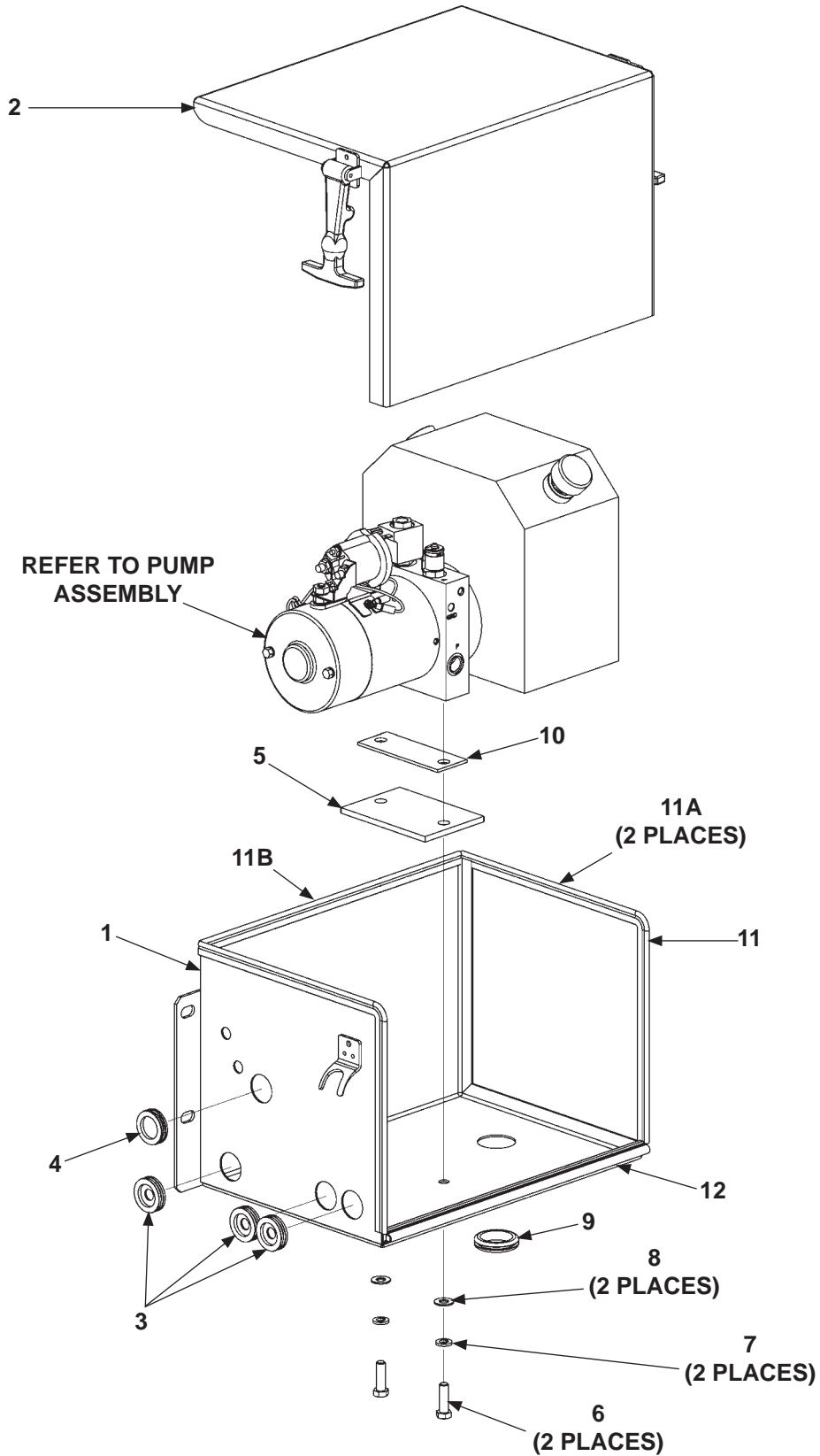
ITEM	QTY.	PART NO.	DESCRIPTION
REF	1	269360-01	POWER PACK, 12V (WITHOUT AUTO TILT)
1	1	269361-01	PUMP BOX WELDMENT
2	1	269363-01	COVER WELDMENT, PUMP ASSEMBLY
3	3	266428-05	GROMMET, 1" DIAPHRAM, 1/2" HOLE
4	1	263814	GROMMET, 1" DIAPHRAM
5	1	908081-01	PLUG, NYLON, 1/2"
6	2	900014-5	HEX CAP SCREW, 3/8" - 16 X 1-1/4" GR 8
7	2	902011-4	LOCK WASHER, 3/8"
8	2	902013-11	FLAT WASHER, 3/8"
9	1	269354	GROMMET, 1"-3/8", I.D.
10	1	269358-01	RUBBER PLATE
11	1	093212	EDGE TRIM WITH SEAL ON TOP, 57" LG.
11A	2	093212	EDGE TRIM WITH SEAL ON TOP, 20-1/2" LG.
11B	1	093212	EDGE TRIM WITH SEAL ON TOP, 15-3/8" LG
12	1	093203-12	NEOPRENE BULB TRIM, 37-1/2" LG.
13	1	269355-01	HYDRAULIC PUMP SUPPORT PLATE

**MAXON**<sup>®</sup>

11921 Slauson Ave. Santa Fe Springs, CA. 90670 (800) 227-4116 FAX (888) 771-7713

# PARTS BREAKDOWN

## 12V POWER PACK - WITH AUTO TILT



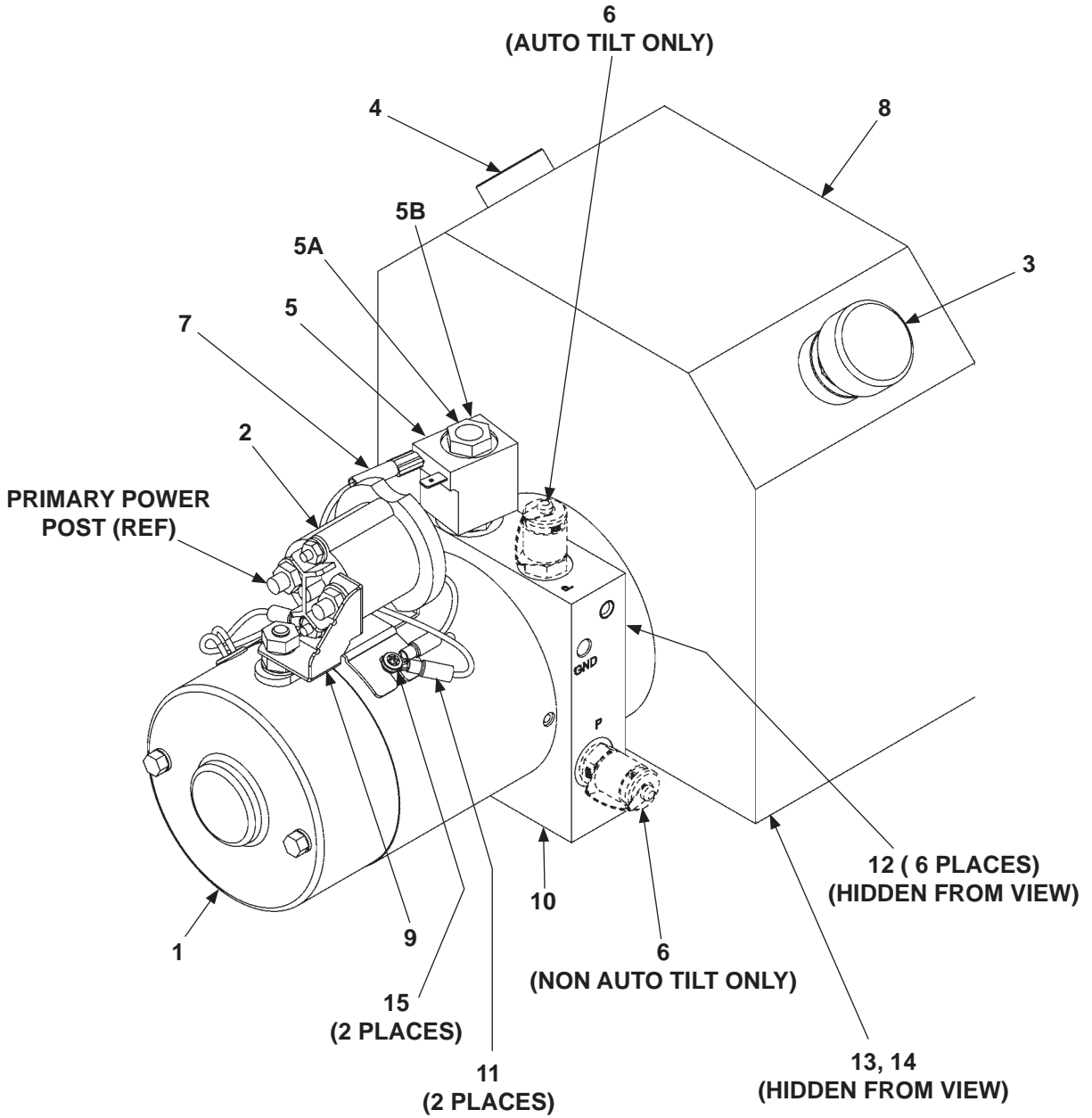
ITEM	QTY.	PART NO.	DESCRIPTION
REF	1	269360-02	POWER PACK, 12V (WITH AUTO TILT)
1	1	269361-01	PUMP BOX WELDMENT
2	1	269363-01	COVER WELDMENT, PUMP ASSEMBLY
3	3	266428-05	GROMMET, 1" DIAPHRAM, 1/2" HOLE
4	1	266428-02	GROMMET, 1" DIAPHRAM, 1/4" HOLE
5	1	269355-01	HYDRAULIC PUMP SUPPORT PLATE
6	2	900014-5	HEX CAP SCREW, 3/8" - 16 X 1-1/4" GR 8
7	2	902011-4	LOCK WASHER, 3/8"
8	2	902013-11	FLAT WASHER, 3/8"
9	1	269354	GROMMET, 1"-3/8", I.D.
10	1	269358-01	RUBBER PLATE
11	1	093212	EDGE TRIM WITH SEAL ON TOP, 4-3/4' LG.
11A	2	093212	EDGE TRIM WITH SEAL ON TOP, 20-1/2" LG.
11B	1	093212	EDGE TRIM WITH SEAL ON TOP, 15-3/8" LG
12	1	093203-12	NEOPRENE BULB TRIM, 37-1/2" LG.

**MAXON**<sup>®</sup> 11921 Slauson Ave. Santa Fe Springs, CA. 90670 (800) 227-4116 FAX (888) 771-7713

# PARTS BREAKDOWN PUMP ASSEMBLY

**MAXON**<sup>®</sup>

11921 Slauson Ave. Santa Fe Springs, CA. 90670 (800) 227-4116 FAX (888) 771-7713



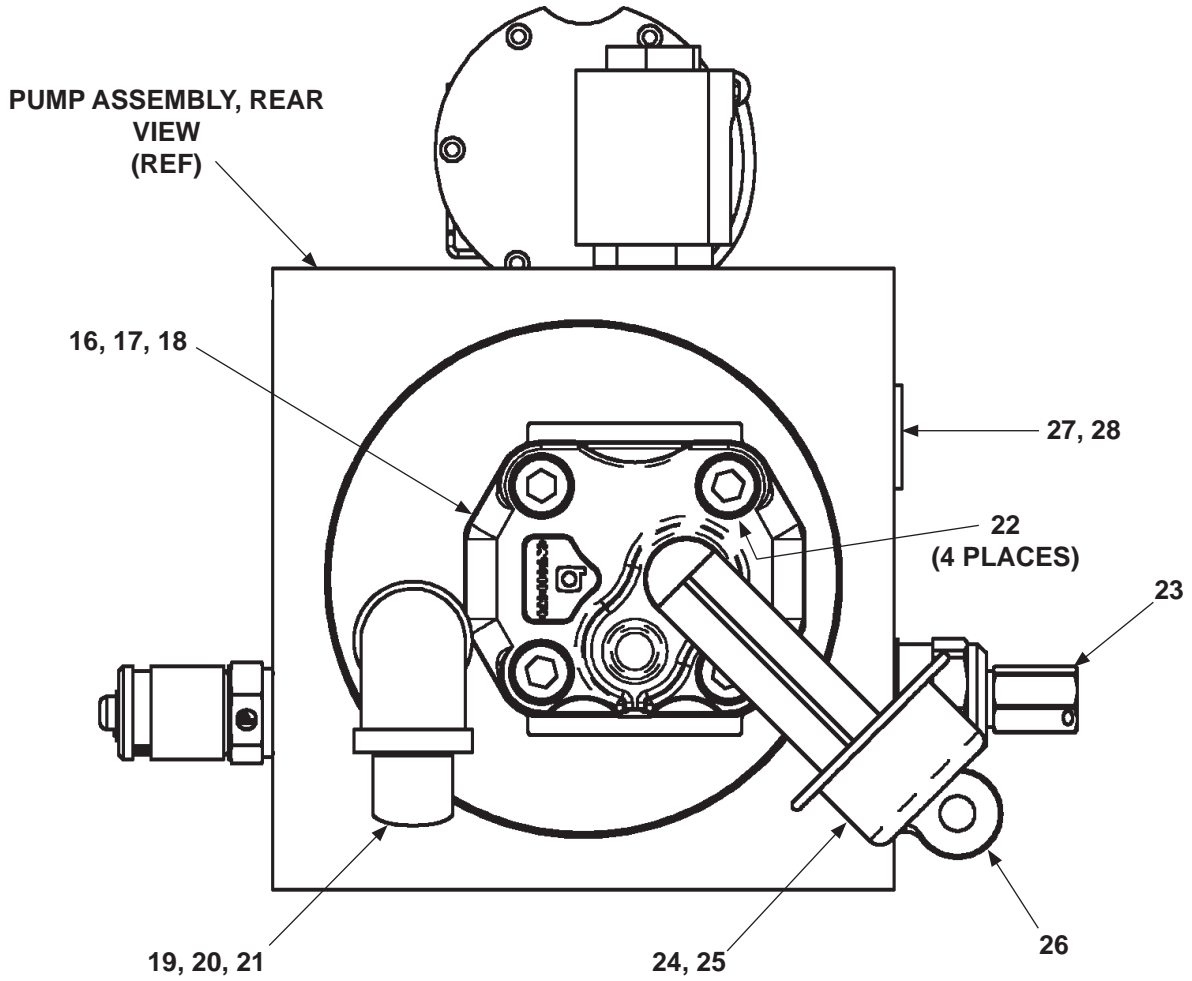
ITEM	QTY.	PART NO.	DESCRIPTION
REF	1	269359-01	PUMP ASSEMBLY, 12V
1	1	269408	MOTOR, 12V DC
2	1	269339	SOLENOID SWITCH, 12V DC
3	1	269549	RESERVOIR PLUG WITH DIPSTICK
4	1	269337	PLUG, FLUSH, 3/4"-14
5	1	269413	POPPET VALVE ASSEMBLY
5A	1	269417	CARTRIDGE POPPET VALVE
5B	1	269415	COIL,10VDC, #8
6	1	269414	TEST PORT FITTING, 6 X M16 X 2
7	1	269552	CONTROL WIRE ASSY, 6" 16 AWG
8	1	269332	RESERVOIR
9	1	269410	MOTOR-SOLENOID CONNECTING STRAP
10	1	269403	BASE ASSEMBLY
11	2	269550	TERMINAL RING HEAT SEAL, #10
12	6	269333	SELF-TAPPING SCREW, #10-24
13	1	269335	HEX HEAD PLUG, 1/2"-14 BSPP (DRAIN PLUG)
14	1	269547	SEALING WASHER, 1/2" BSPP (DRAIN PLUG)
15	2	269340	PAN HEAD SCREW, #10-32 X 5/16" LG., TORX

# PARTS BREAKDOWN

## PUMP ASSEMBLY (Continued)

**MAXON**<sup>®</sup>

11921 Slauson Ave. Santa Fe Springs, CA. 90670 (800) 227-4116 FAX (888) 771-7713



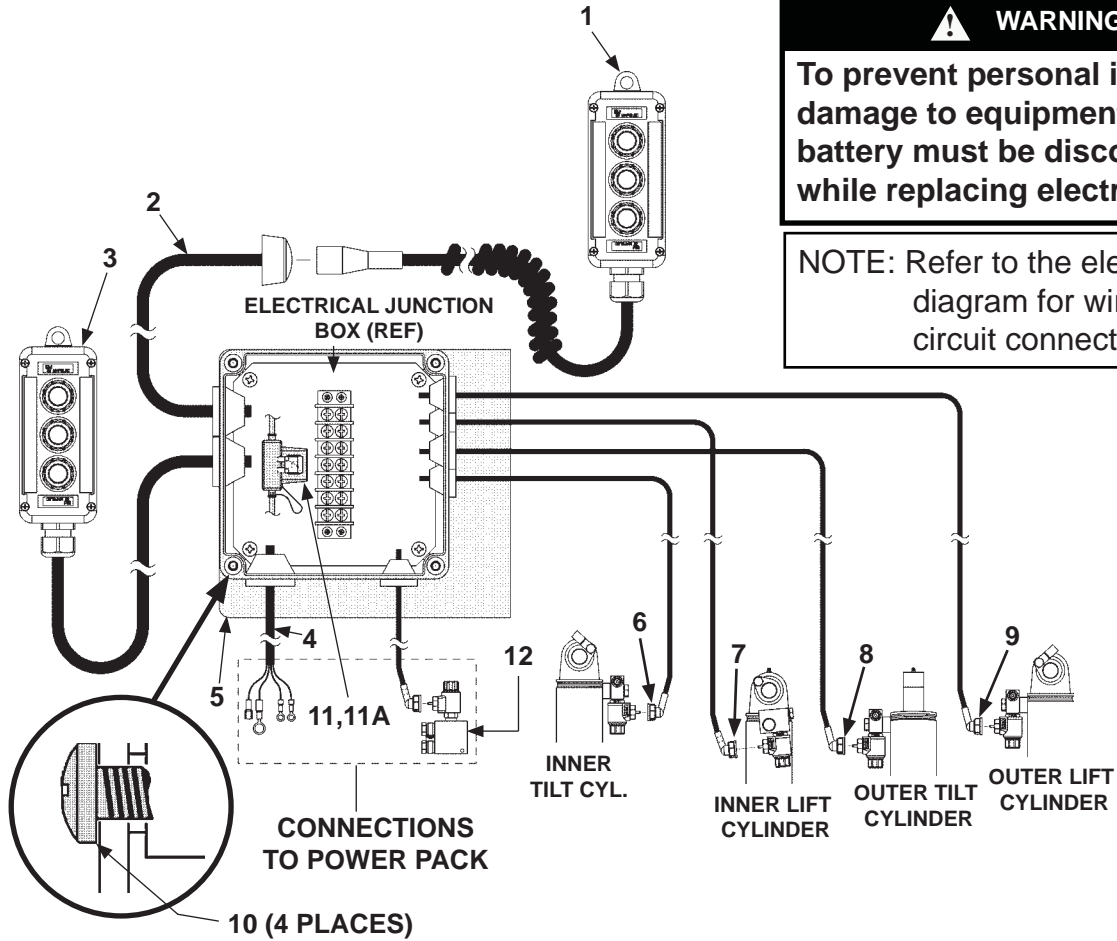


ITEM	QTY.	PART NO.	DESCRIPTION
16	1	269405	PUMP
17	1	269324	SHAPED O-RING
18	1	269326	SHAPED O-RING, REAR COVER
19	1	269348	NIPPLE, 3/8" X 3-1/2"
20	1	269349	ELBOW, 90 DEGREE, 3/8" X 3/8"
21	1	269350	SUCTION STRAINER TUBE, 3/8"
22	4	269407	SCREW, M8 X 75, GRADE 8.8
23	1	269338	RELIEF VALVE
24	1	269546	SUCTION TUBE, 3/8"
25	1	269331	SUCTION SCREEN FILTER, M-SERIES
26	1	269419	EYEBOLT, ROD CONTROL, 5/16" - 18 X 1"
27	1	269416	HEX SOCKET PLUG, 3/4"-16
28	1	269413	POPPET ASSEMBLY, 2 GPM

# PARTS BREAKDOWN

## ELECTRICAL COMPONENTS

### CONTROLS, SENSORS & INTERCONNECTING WIRING

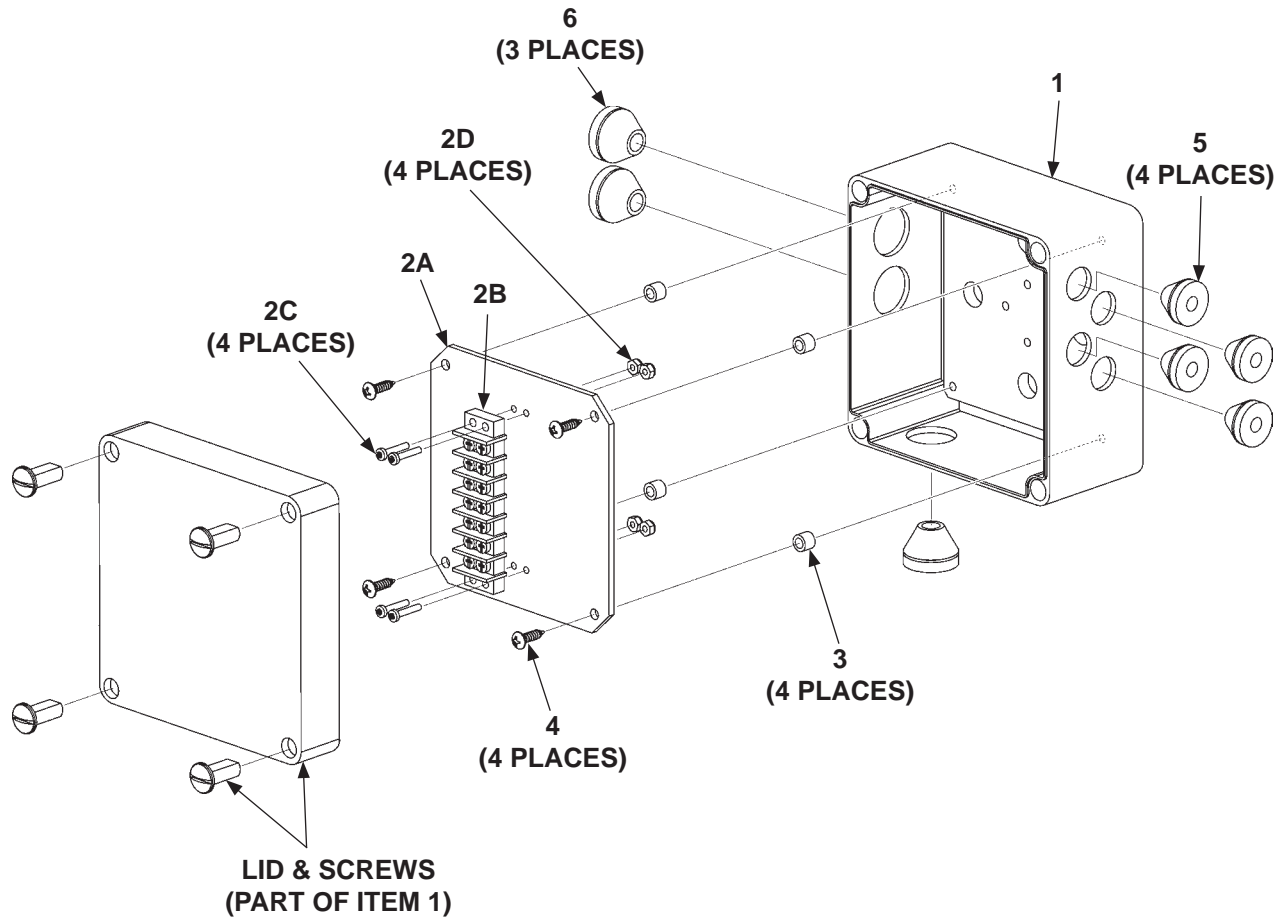


**⚠ WARNING**  
 To prevent personal injury and damage to equipment, tail lift battery must be disconnected while replacing electrical parts.

**NOTE:** Refer to the electrical diagram for wiring and circuit connections.

ITEM	QTY.	PART NO.	DESCRIPTION
1	1	269140-01	INTERNAL HAND HELD CONTROL ASSY
2	1	269138-01	CABLE, INTERNAL CONTROL
3	1	269079-01	EXTERNAL CONTROL ASSEMBLY
4	1	284164-01	POWER PACK LEAD
5	1	3-100817	MOUNTING ANGLE (BRACKET)
6	1	284186-03	KOSTAL CONNECTOR,65-1/2" LG. LEAD (INNER TILT CYL)
7	1	284186-04	KOSTAL CONNECTOR,63" LG. LEAD (INNER LIFT CYL)
8	1	284186-01	KOSTAL CONNECTOR,116" LG. LEAD (OUTER TILT CYL)
9	1	284186-02	KOSTAL CONNECTOR,112-1/2" LG. LEAD (OUTER LIFT CYL)
10	4	5-03048	NO.12 X 3/4" LG. SELF-TAPPING SCREW
11	1	269076-01	IN LINE FUSE ASSY, 10 AMP
11A	1	7-10004-05	10 AMP FUSE
12	1	284126-01	KOSTAL CONNECTOR (CHANGEOVER VALVE, AUTO TILT ONLY)

## ELECTRICAL JUNCTION BOX



ITEM	QTY.	PART NO.	DESCRIPTION
REF	1	269075-01	ENCLOSURE, SUB ASSY (JUNCTION BOX)
1	1	5-40047-02	SQUARE ENCLOSURE BOX (WITH LID AND SCREWS)
2	1	269074-01	TERMINAL BLOCK PLATE ASSY
2A	1	269073-01	PLATE (TERMINAL BLOCK MOUNT)
2B	1	269072-07	TERMINAL BLOCK (7 CIRCUITS)
2C	4	900024-8	PAN HEAD SCREW, #4-40 X 5/8" LG.
2D	4	901007	NYLON LOCK NUT, #4-40
3	4	5-02028	ROUND SPACERS
4	4	5-03040	PAN HEAD SELF-TAPPING SCREW, #8 X 5/8" LG.
5	4	5-60025	TET 5-7 RUBBER GROMMET
6	3	5-60023	TET 10-14 RUBBER GROMMET

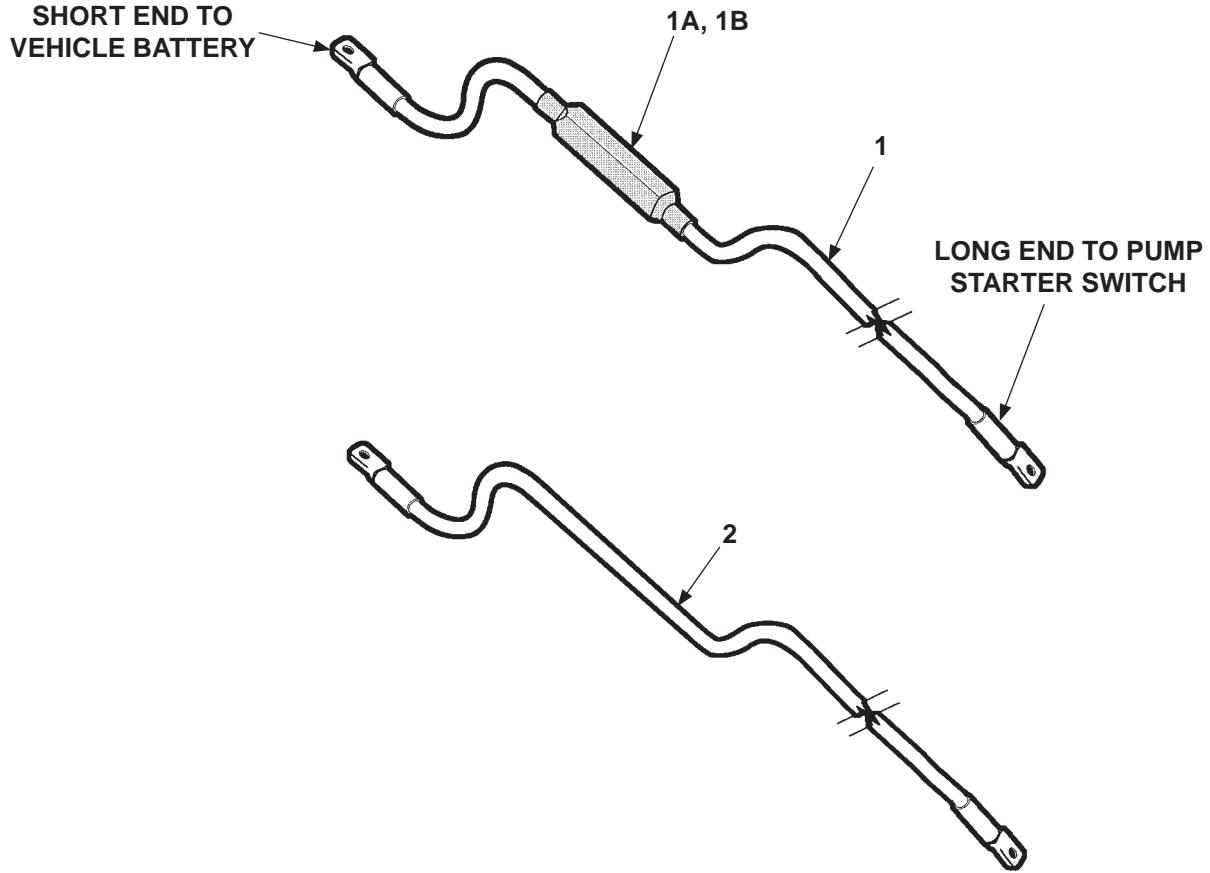
# PARTS BREAKDOWN

## POWER & GROUND CABLES

### ⚠ WARNING

**Do not attach cable to battery until Liftgate repairs are completed.**

**NOTE:** MAXON recommends using dielectric grease on all electrical connections.

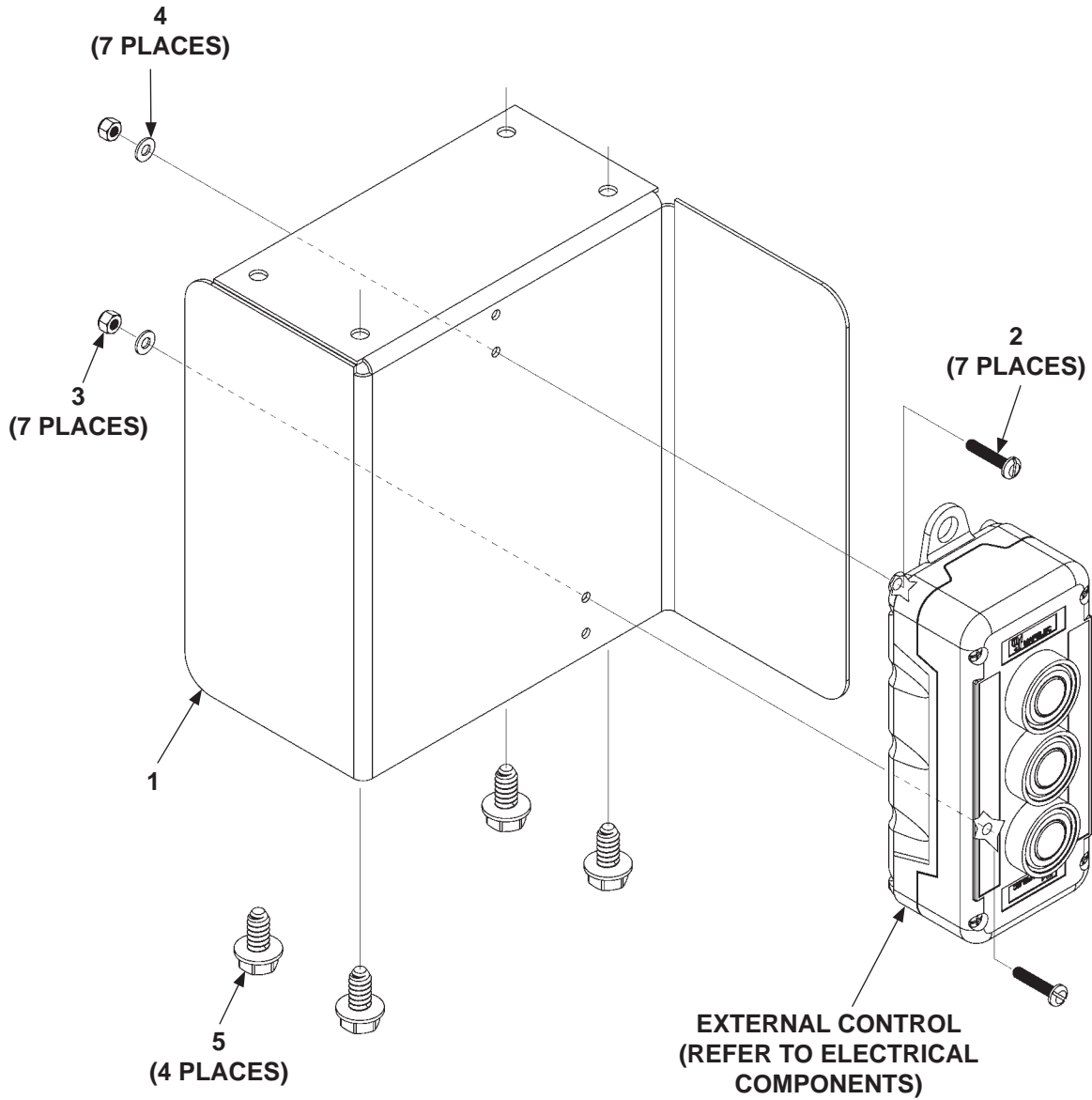


ITEM	QTY.	PART NO.	DESCRIPTION
1	1	284115-01	CABLE ASSY, 200 AMPS, 33' LG. (RED WITH IN-LINE FUSE)
1A	1	906511-02	MEGAFUSE, IN-LINE 200 AMP
1B	1	950189	HEATSHRINK TUBING. 1" I.D.
2	1	284114-01	CABLE ASSY, 200 AMPS, 33' LG. (BLACK)

**MAXON®**

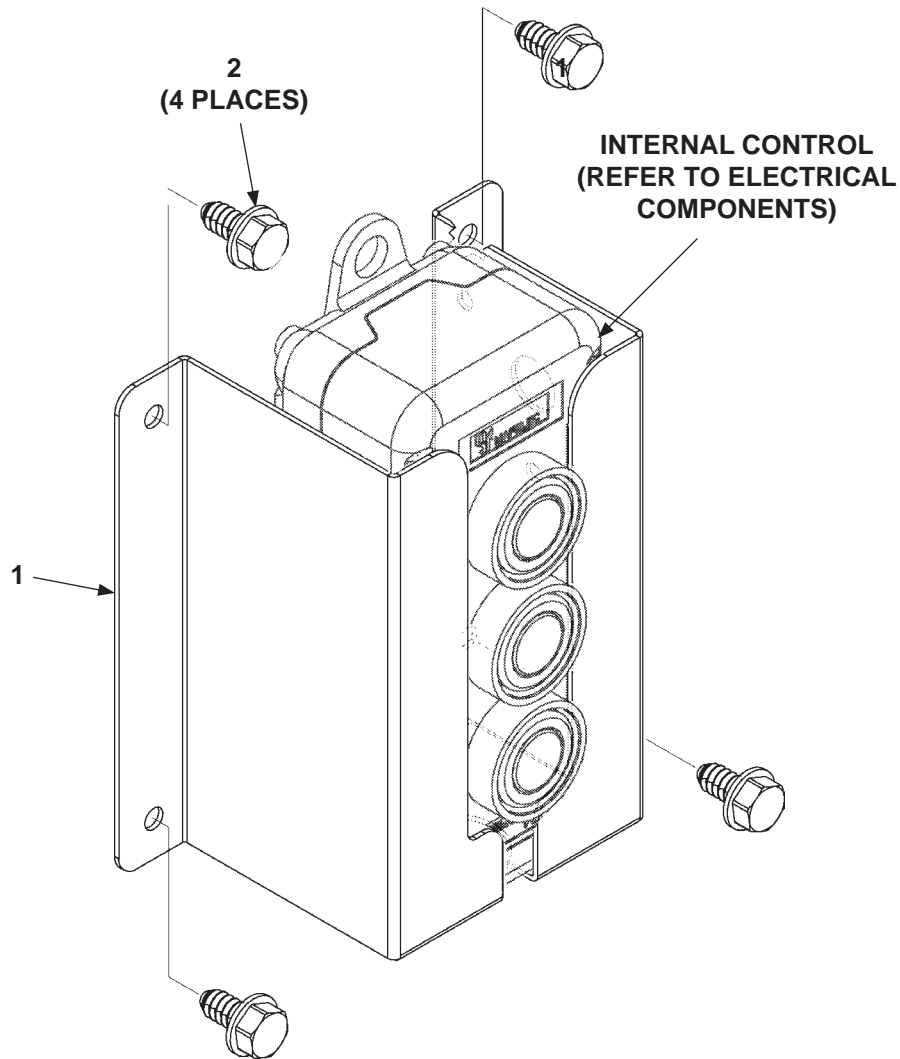
11921 Slauson Ave. Santa Fe Springs, CA. 90670 (800) 227-4116 FAX (888) 771-7713

## EXTERNAL CONTROL BRACKET (KIT)



ITEM	QTY.	PART NO.	DESCRIPTION
REF	1	268804-01	EXTERNAL CNTRL BRKT (KIT)
1	1	269143-01	EXTERNAL CNTRL BRKT
2	2	NB13504-20PH	M4X20 MACHINE SCREW
3	2	NB13504-P	M4 P TYPE NYLON LOCK NUT (8.8)
4	2	NB13504-WB	M4 PLAIN WASHER (FORM B)
5	4	NB13506-16T	M6X16 HEX HEAD TAPTITE SCREW

## PARTS BREAKDOWN INTERNAL CONTROL BRACKET (KIT)



**NOTE:** Screws, flat washers, and lock nuts listed for items 3, 4 & 5 (not shown) are used to fasten internal control receptacle to bracket.

ITEM	QTY.	PART NO.	DESCRIPTION
REF	1	269144-01	INTERNAL CNTRL MOUNTING BRKT (KIT)
1	1	282692-01	INTERNAL HAND HELD CNTRL BRKT
2	4	NB13506-16T	M6X16 HEX HEAD TAPTITE SCREW
3	3	900007-8	PAN HEAD SCREW, #10-24 X 1-1/4" LG. (NOT SHOWN)
4	3	902000-5	FLAT WASHER, #10 X 1/32" THK. (NOT SHOWN)
5	3	901003	LOCK NUT, #10-24, NYLON (NOT SHOWN)

**MAXON®**

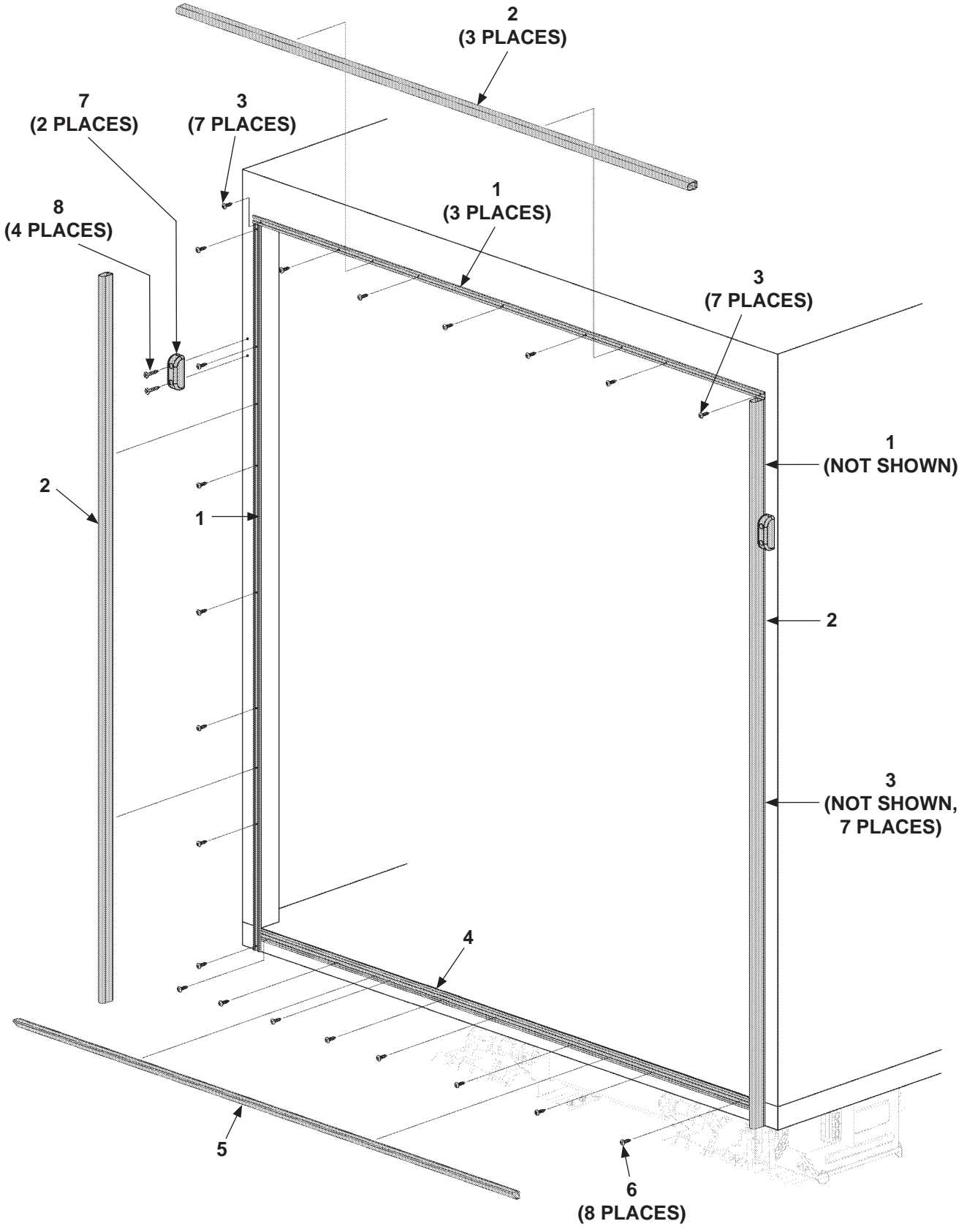
11921 Slauson Ave. Santa Fe Springs, CA. 90670 (800) 227-4116 FAX (888) 771-7713

THIS PAGE INTENTIONALLY LEFT BLANK

# PARTS BREAKDOWN

## FLOOR SEAL, DOOR SEALS & BUMPERS

**MAXON®**  
 11921 Slauson Ave. Santa Fe Springs, CA. 90670 (800) 227-4116 FAX (888) 771-7713



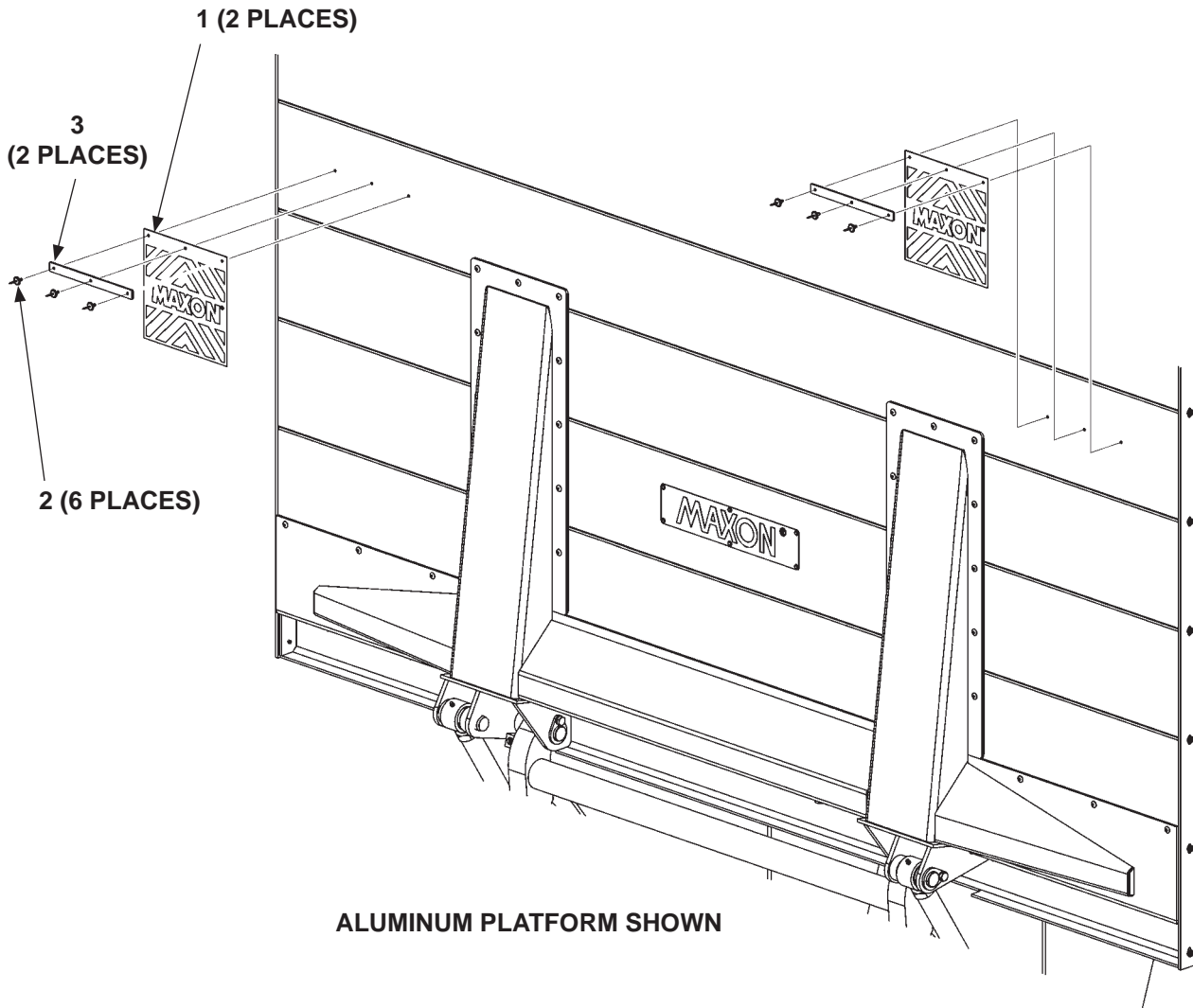


ITEM	QTY.	PART NO.	DESCRIPTION
1	3	4-94612	ALUMINUM EXTRUSION (DOOR SEAL TRACK, 2.6M LG.)
2	3	4-97740	REAR DOOR SIDE SEAL (2.6M LG)
3	21	5-03044	SELF-TAPPING SCREW, #10 X 1-1/4" LG.
4	1	4-99342	ALUMINUM EXTRUSION (FLOOR SEAL TRACK, 2.6M LG.)
5	1	4-99343	FLOOR SEAL (2.6M LG.)
6	8	900755-01	SELF-DRILLING SCREW, #8-18 X 1" LG.
7	2	268266-01	BUFFER, RUBBER
8	4	900067-06	HEX HEAD SELF-TAP SCREW, #14 X 1-1/2" LG.

# PARTS BREAKDOWN MARKER FLAGS KIT

**MAXON®**

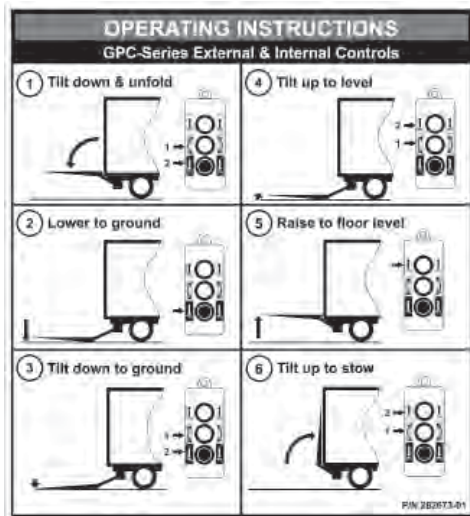
11921 Slauson Ave. Santa Fe Springs, CA. 90670 (800) 227-4116 FAX (888) 771-7713



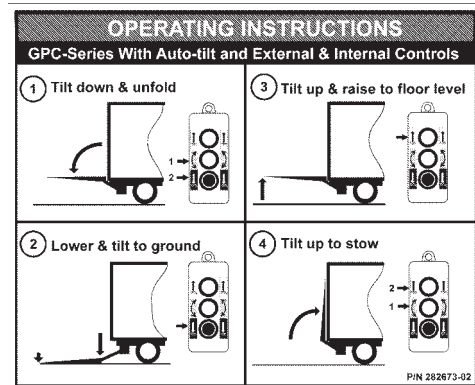
ITEM	QTY.	PART NO.	DESCRIPTION
1	2	268206-01	MARKER FLAG, MAXON
2	6	900057-2	SELF-TAPPING SCREW, #10-24 X 1/2" LG. (STEEL PLATFORM)
		903703-02	RIVET, 3/16" DIA. (ALUMINUM PLATFORM)
3	2	268207-01	MOUNTING PLATE, FLAG

THIS PAGE INTENTIONALLY LEFT BLANK

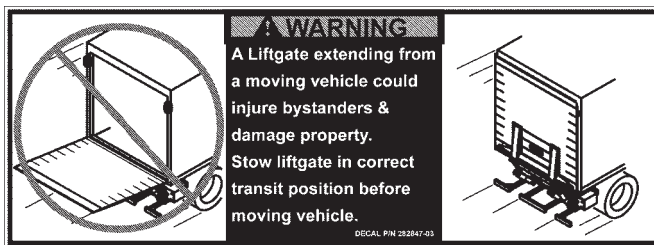
# DECALS



**OPERATION INSTRUCTIONS DECAL  
(EXTERNAL & INTERNAL CONTROLS)**  
P/N 282673-01



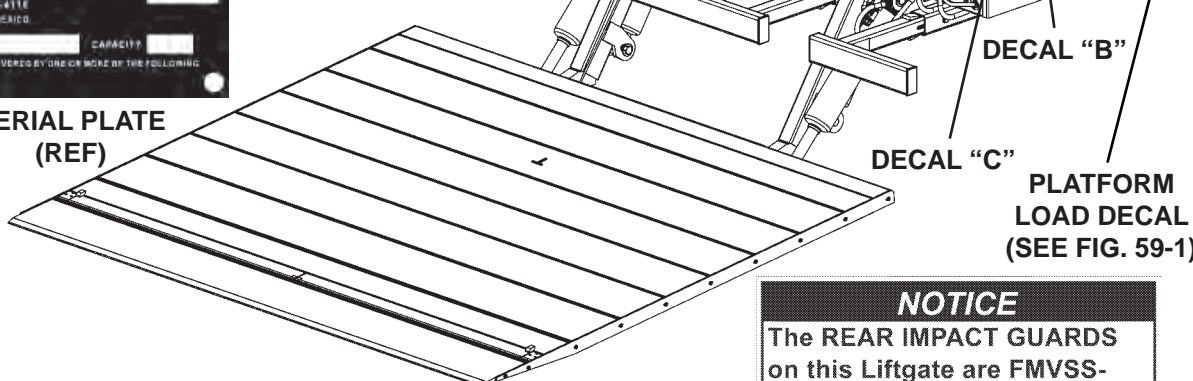
**OPERATION INSTRUCTIONS DECAL  
(EXTERNAL & INTERNAL CONTROLS,  
AUTO TILT MODELS ONLY)**  
P/N 282673-02



**WARNING DECAL**  
P/N 282847-03



**SERIAL PLATE  
(REF)**



**CAPACITY DECAL  
(SEE FIG. 59-1)**

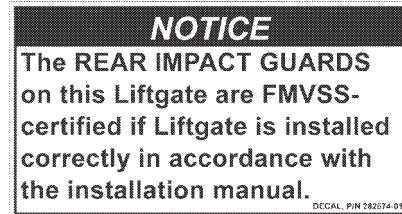
**DECAL "F"**

**DECAL "A"**

**DECAL "B"**

**DECAL "C"**

**PLATFORM  
LOAD DECAL  
(SEE FIG. 59-1)**



**NOTICE DECAL  
(2 PLACES, GPC-33 & GPC-44  
MOUNTING PLATES ONLY)**  
P/N 282674-01

**NOTE:** Ensure there is no residue, dirt, or corrosion where decals are attached. If necessary, clean surface before attaching decals.

**FIG. 60-1**

### SAFETY INSTRUCTIONS

Read all decals and operation manual before operating liftgate.

1. Do not use liftgate unless you have been properly instructed and have read, and are familiar with, the operating instructions.
2. Be certain vehicle is properly and securely braked before using the liftgate.
3. Always inspect this liftgate for maintenance or damage before using it. Do not use liftgate if it shows any sign of damage or improper maintenance.
4. Do not overload.
5. Make certain the area in which the platform will open and close is clear before opening or closing the platform.
6. Make certain platform area, including the area in which loads may fall from platform, is clear before and at all times during operation of liftgate.
7. This liftgate is intended for loading and unloading of cargo only. Do not use this liftgate for anything but its intended use.

(A)

### WARNING

Read this information carefully.

- Improper operation of this Liftgate can result in serious personal injury. If you do not have a copy of the operating instructions, please obtain them from your employer, distributor, or lessor before you attempt to operate Liftgate.
- If there are signs of improper maintenance, damage to vital parts, or slippery platform surface, do not use the Liftgate until these problems have been corrected.
- If you are using a pallet jack, be sure it can be maneuvered safely.
- Do not operate a forklift on the platform.
- Do not allow any part of yours or your helper's body to be placed under, within, or around any portion of the moving Liftgate, or its mechanisms, or in a position that would trap them between the platform and the ground or truck when the Liftgate is operated.
- If a helper is riding the platform with you, make sure you are both doing so safely and that you are not in danger of coming in contact with any moving or potentially moving obstacles.
- **USE GOOD COMMON SENSE**
- If load appears to be unsafe, do not lift or lower it.

For a free copy of other manuals that pertain to this model Liftgate, please visit our website at [www.maxonlift.com](http://www.maxonlift.com) or call Customer Service at (800) 227-4116.

(C)



### WARNING

Liftgate hazards can result in crushing or falling.

Keep hands and feet clear of pinch points.

If riding liftgate, make sure load is stable and footing is solid.

(B)

Read and understand all instructions and WARNINGS before use.

### CAUTION

Always stand clear of platform area.

(F)

## DECAL SHEET P/N 282522-01

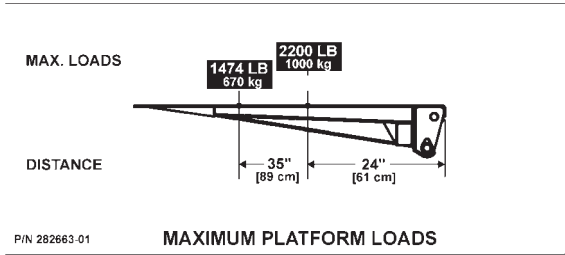
THE MAXIMUM CAPACITY OF THIS LIFT IS

**2200 LB [1000 KG]**

WHEN THE LOAD IS POSITIONED ON THE PLATFORM 24" [61 cm] FROM THE HEEL.

P/N 282523-01

## GPC-22 LIFT CAPACITY DECAL P/N 282523-01



## GPC-22 PLATFORM LOAD DECAL P/N 282663-01

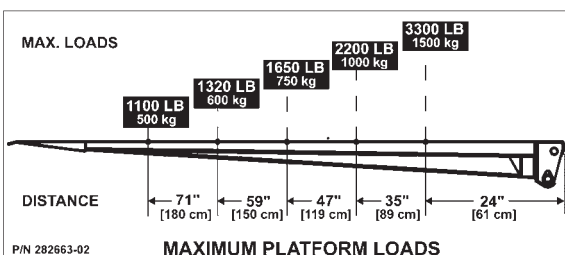
THE MAXIMUM CAPACITY OF THIS LIFT IS

**3300 LB [1500 KG]**

WHEN THE LOAD IS POSITIONED ON THE PLATFORM 24" [61 cm] FROM THE HEEL.

P/N 282523-02

## GPC-33 LIFT CAPACITY DECAL P/N 282523-02



## GPC-33 PLATFORM LOAD DECAL P/N 282663-02

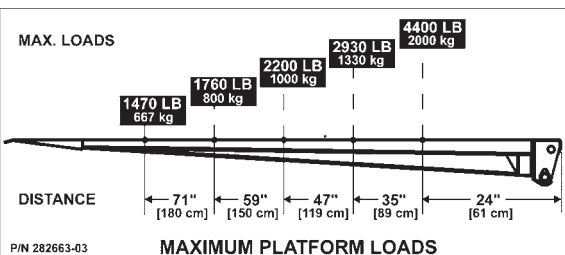
THE MAXIMUM CAPACITY OF THIS LIFT IS

**4400 LB [2000 KG]**

WHEN THE LOAD IS POSITIONED ON THE PLATFORM 24" [61 cm] FROM THE HEEL.

P/N 282523-03

## GPC-44 LIFT CAPACITY DECAL P/N 282523-03

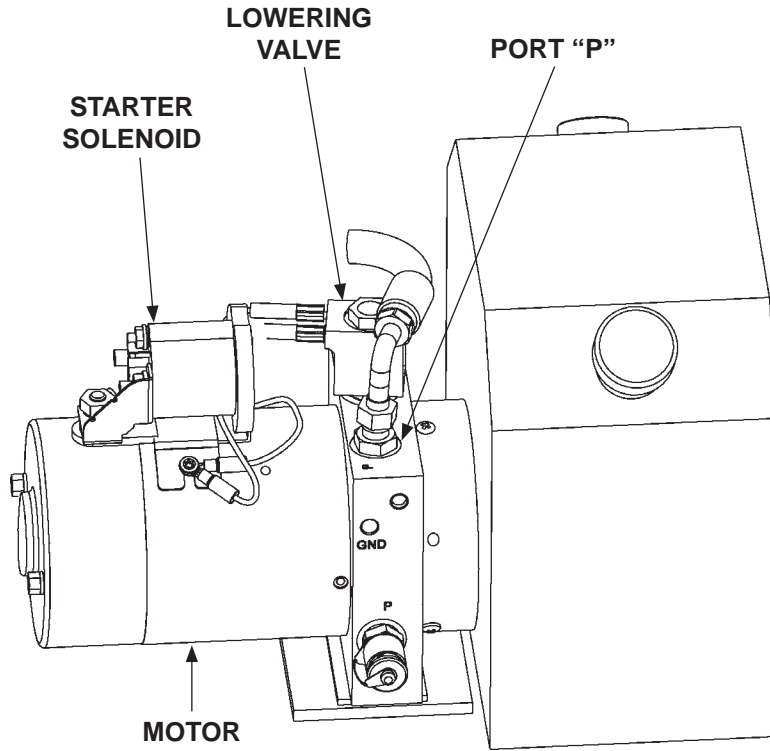


## GPC-44 PLATFORM LOAD DECAL P/N 282663-03

FIG. 61-1

# SYSTEM DIAGRAMS

## PUMP & MOTOR SOLENOID OPERATION (WITHOUT AUTO TILT)

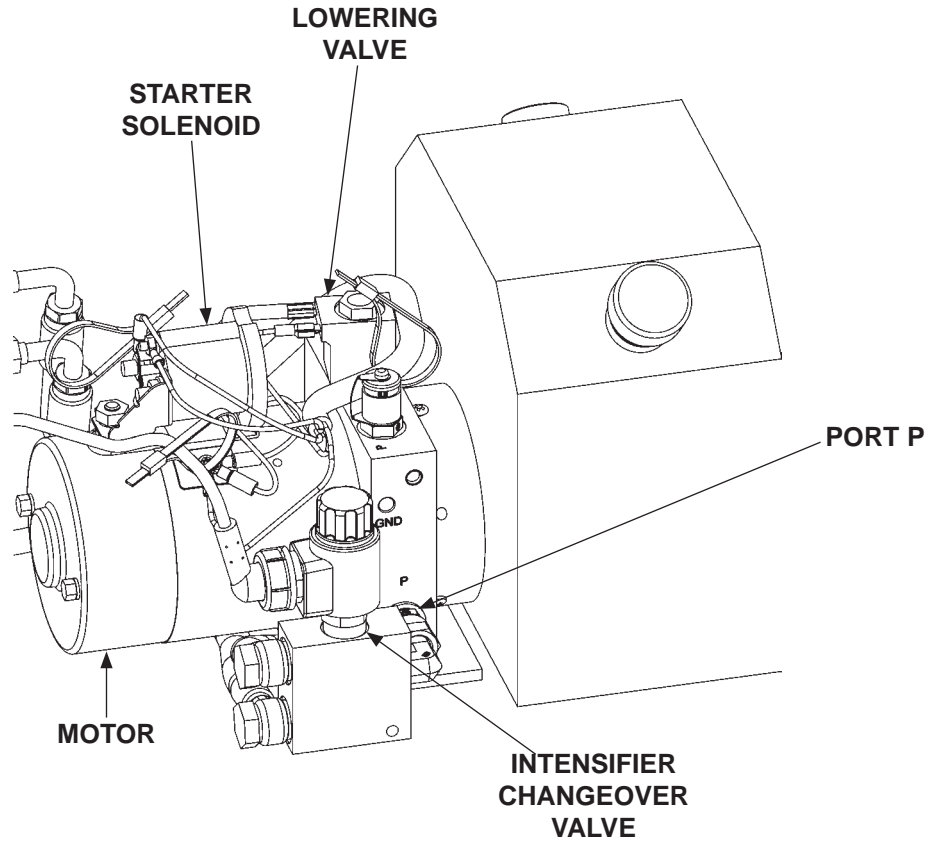


POWER UNIT MOTOR & SOLENOID OPERATION							
LIFTGATE FUNCTION	PORT	SOLENOID OPERATION (✓ MEANS ENERGIZED)					
		MOTOR	LOWERING VALVE	LOGIC VALVE LIFT-1	LOGIC VALVE LIFT-2	LOGIC VALVE TILT-1	LOGIC VALVE TILT-2
RAISE	P	✓	-	✓	✓	-	-
LOWER	P	-	✓	✓	✓	-	-
TILT UP	P	✓	-	-	-	✓	✓
TILT DOWN	P	-	✓	-	-	✓	✓

REFER TO VALVES SHOWN ON  
HYDRAULIC SCHEMATIC WITHOUT AUTO TILT

**TABLE 62-1**

## PUMP & MOTOR SOLENOID OPERATION (WITH AUTO TILT)



POWER UNIT MOTOR & SOLENOID OPERATION								
LIFTGATE FUNCTION	PORT	SOLENOID OPERATION (✓ MEANS ENERGIZED)						
		MOTOR	LOWERING VALVE	LOGIC VALVE LIFT-1	LOGIC VALVE LIFT-2	LOGIC VALVE TILT-1	LOGIC VALVE TILT-2	INTENSIFIER CHANGEOVER VALVE
RAISE	P	✓	-	✓	✓	-	-	-
LOWER	P	-	✓	✓	✓	-	-	-
TILT UP	P	✓	-	-	-	✓	✓	✓
TILT DOWN	P	-	✓	-	-	✓	✓	✓

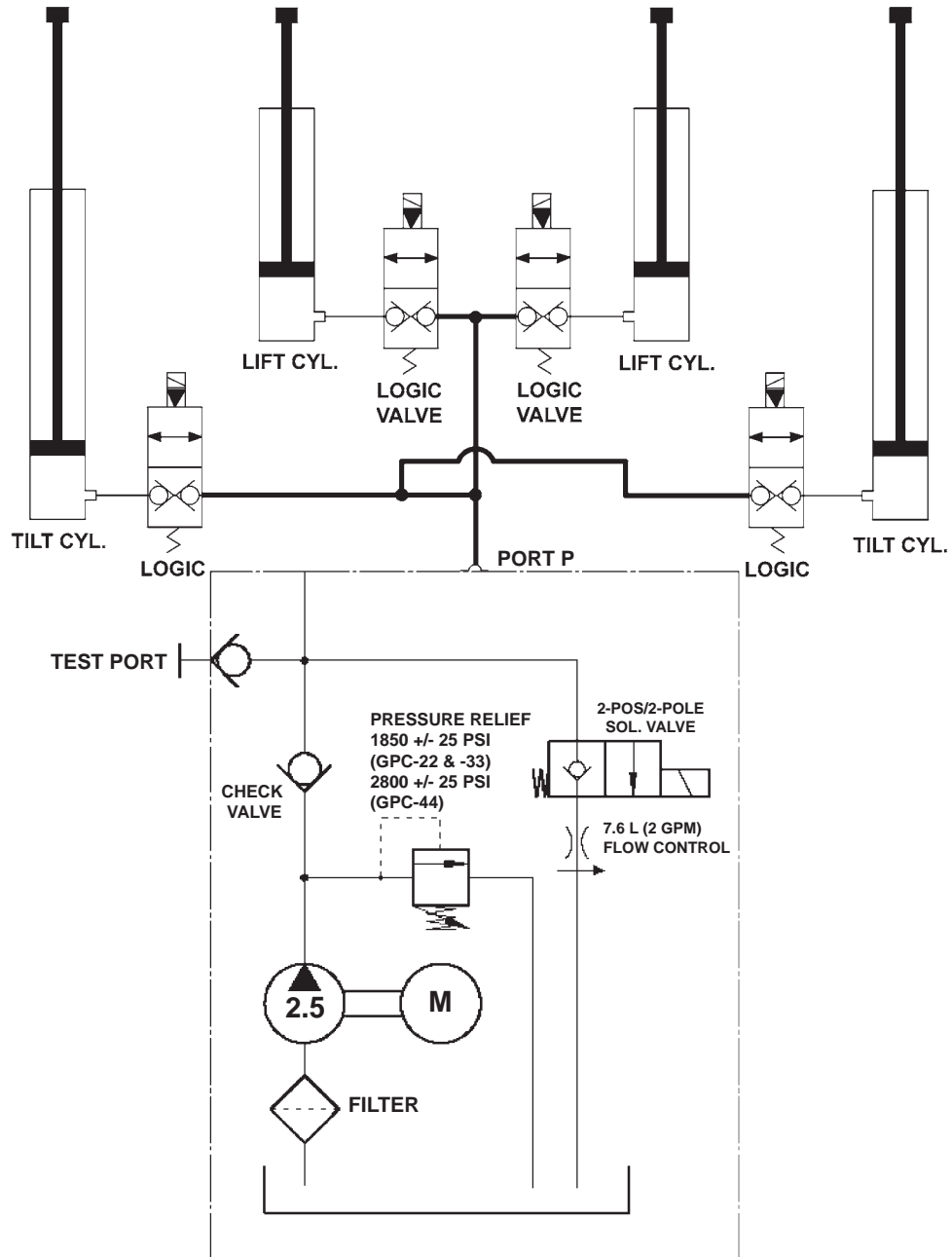
REFER TO VALVES SHOWN ON  
HYDRAULIC SCHEMATIC WITH AUTO TILT

TABLE 63-1

# SYSTEM DIAGRAMS - Continued

## HYDRAULIC SCHEMATIC (WITHOUT AUTO TILT)

**NOTE:** LOGIC VALVES ARE  
DOUBLE-LOCK SEAT, NC.  
FLOW RATE IS 19 LPM (5 GPM).



**FIG. 64-1**

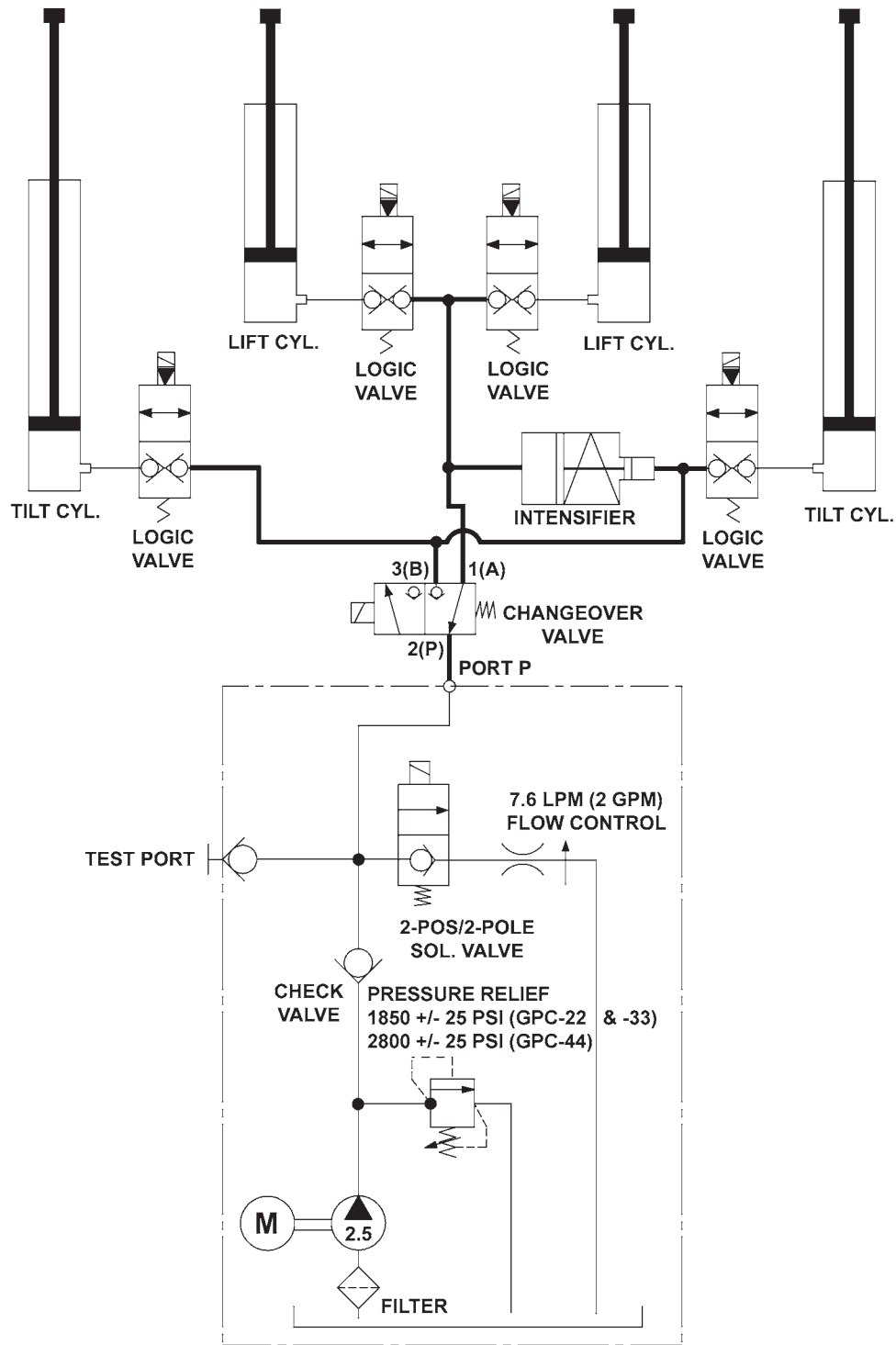
**MAXON®**

11921 Slauson Ave. Santa Fe Springs, CA. 90670 (800) 227-4116 FAX (888) 771-7713



# HYDRAULIC SCHEMATIC (WITH AUTO TILT)

**NOTE:** LOGIC VALVES ARE  
DOUBLE-LOCK SEAT, NC.  
FLOW RATE IS 19 LPM (5 GPM).



**FIG. 65-1**

# SYSTEM DIAGRAMS - Continued

## ELECTRICAL SCHEMATIC, 12V (WITHOUT AUTO TILT)

**MAXON®**  
 11921 Slauson Ave. Santa Fe Springs, CA. 90670 (800) 227-4116 FAX (888) 771-7713

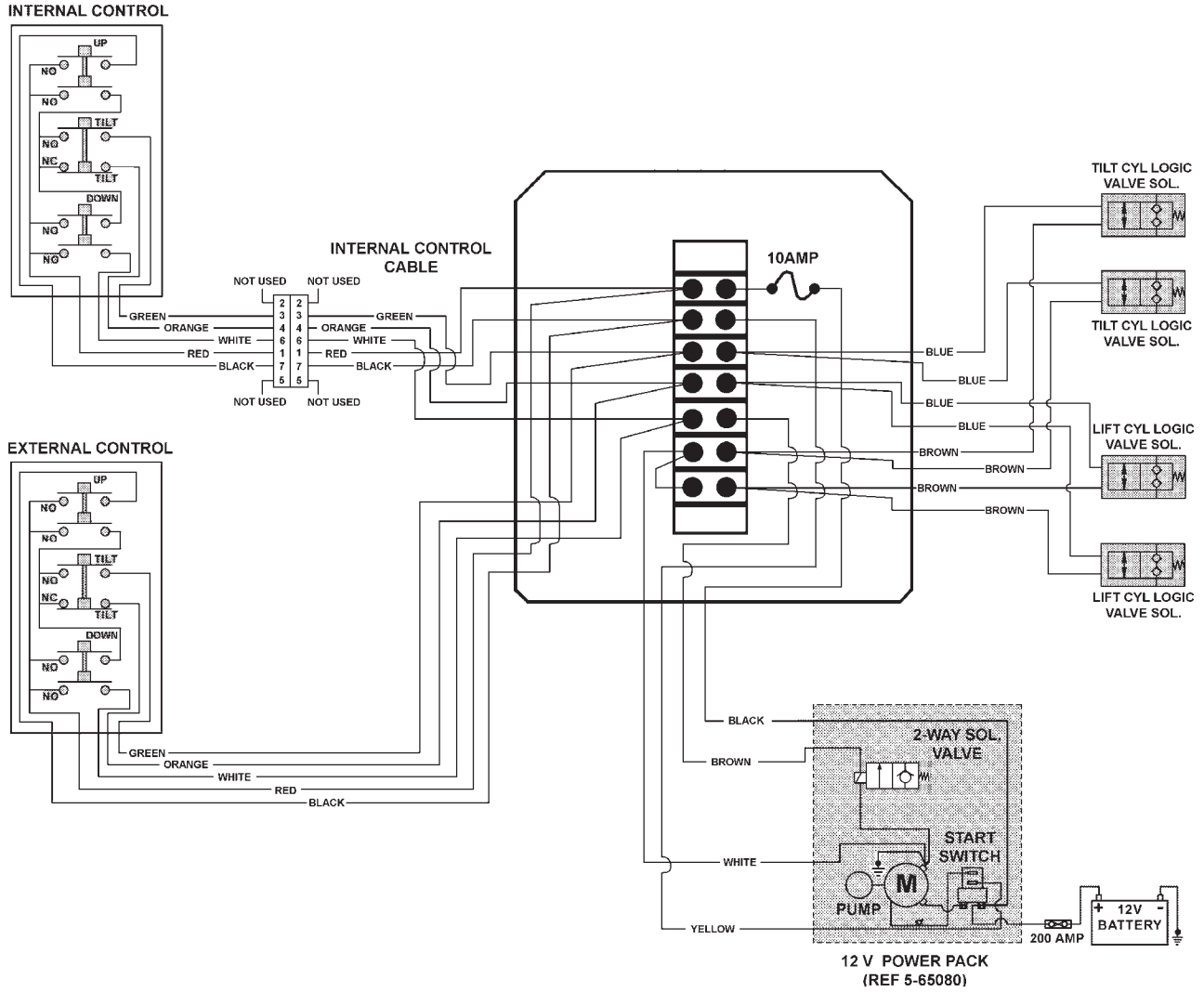


FIG. 66-1

# ELECTRICAL SCHEMATIC, 12V (WITH AUTO TILT)

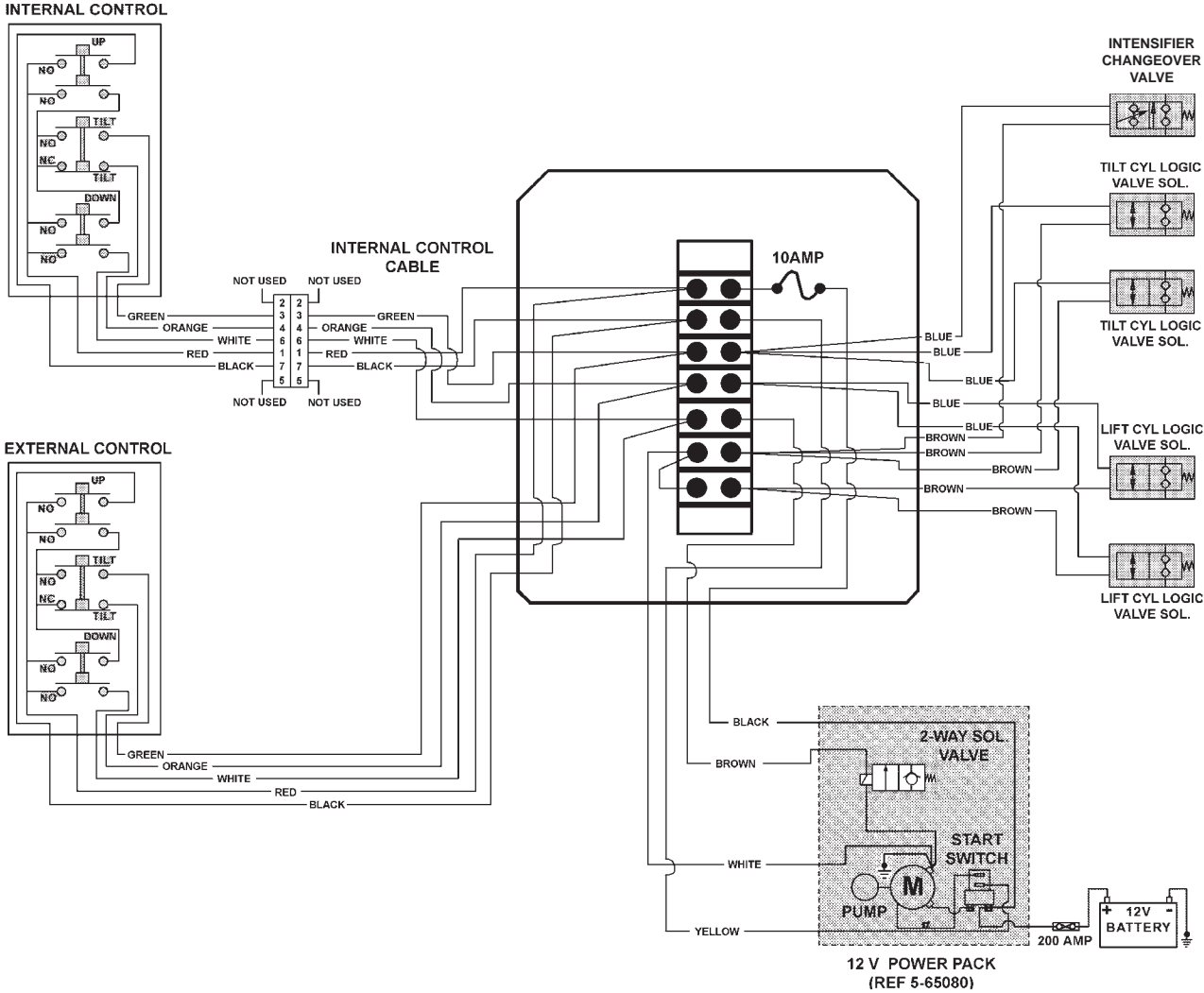


FIG. 67-1

# TROUBLESHOOTING

TO BE PROVIDED IN FUTURE UPDATE

**MAXON**<sup>®</sup>

11921 Slauson Ave. Santa Fe Springs, CA. 90670 (800) 227-4116 FAX (888) 771-7713

