

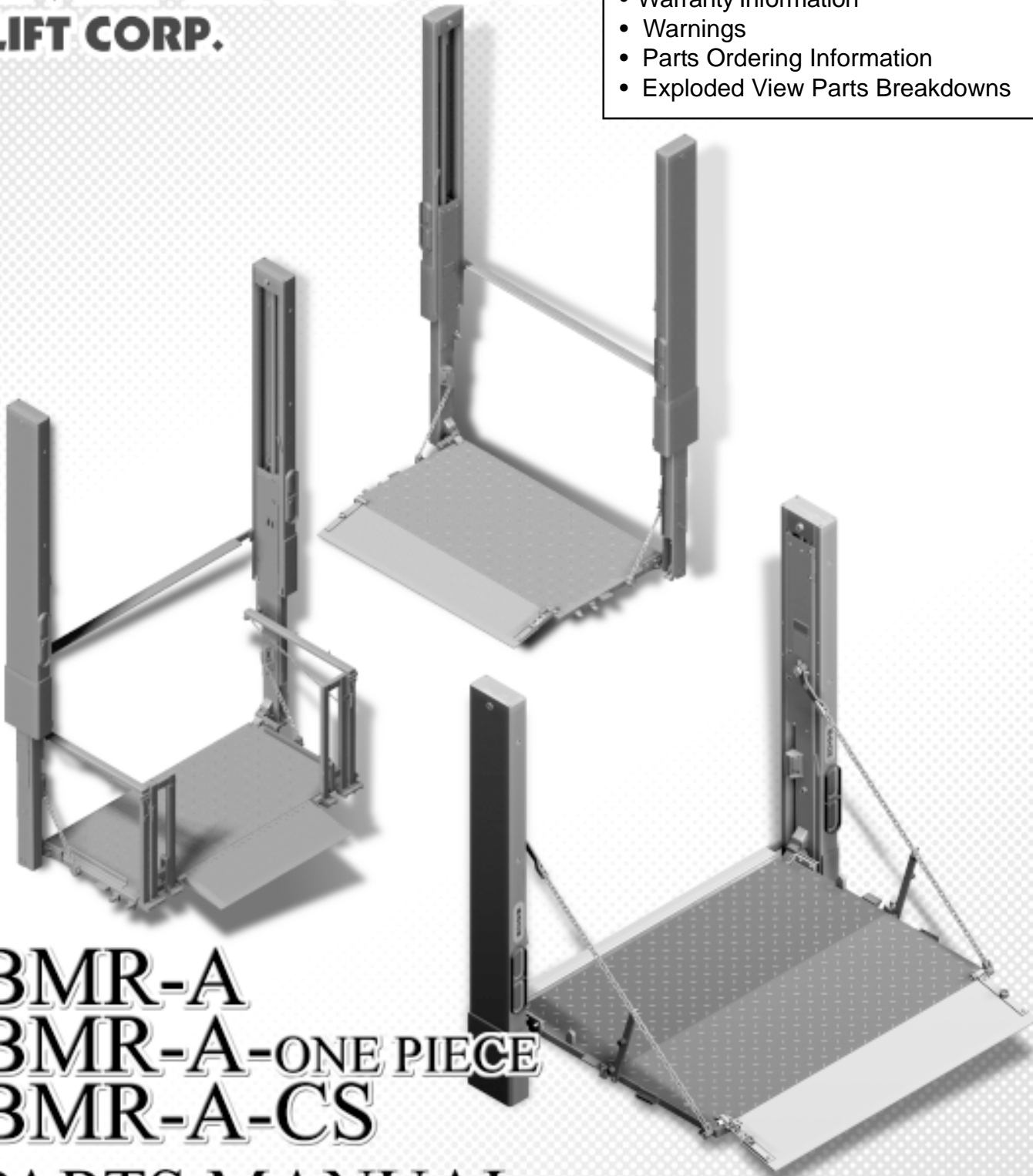
M-02-23
MARCH 2004

MAXON®

LIFT CORP.

Parts Manual Contains:

- Warranty Information
- Warnings
- Parts Ordering Information
- Exploded View Parts Breakdowns



BMR-A
BMR-A-ONE PIECE
BMR-A-CS
PARTS MANUAL

MAXON[®]

LIFT CORP.

11921 Slauson Ave.
Santa Fe Springs, CA. 90670

CUSTOMER SERVICE:
TELEPHONE (562) 464-0099 TOLL FREE (800) 227-4116
FAX: (888) 771-7713

NOTE: For latest version of all Manuals (and replacements), download the Manuals from Maxon's website at www.maxonlift.com.

WARRANTY/ RMA POLICY & PROCEDURE

LIFTGATE WARRANTY

Type of Warranty: Full Parts and Labor

Term of Warranty: Standard Liftgates - 2 years from ship date or 6,000 cycles
Premium Liftgates - 2 years from ship date or 10,000 cycles

This warranty shall not apply unless the product is installed, operated and maintained in accordance with MAXON Lift's specifications as set forth in MAXON Lift's Installation, Operation and Maintenance manuals. This warranty does not cover normal wear, maintenance or adjustments, damage or malfunction caused by improper handling, installation, abuse, misuse, negligence, or carelessness of operation. In addition, this warranty does not cover equipment that has had unauthorized modifications or alterations made to the product.

MAXON agrees to replace any components which are found to be defective during the first 2 years of service, and will reimburse for labor based on MAXON's Liftgate Warranty Flat Rate Schedule. (Copy of the Flat Rate is available at www.maxonlift.com.)

All warranty repairs must be performed by an authorized MAXON warranty facility. For any repairs that may exceed \$500, including parts and labor, MAXON's Technical Service Department must be notified and an "Authorization Number" obtained.

All claims for warranty must be received within 30 Days of the repair date, and include the following information:

1. Liftgate Model Number and Serial Number
2. The End User must be referenced on the claim
3. Detailed Description of Problem
4. Corrective Action Taken, and Date of Repair
5. Parts used for Repair, Including MAXON Part Number(s)
6. MAXON R.M.A. # and/or Authorization # if applicable (see below)
7. Person contacted at MAXON if applicable
8. Claim must show detailed information i.e. Labor rate and hours of work performed

Warranty claims can also be placed on-line at www.maxonlift.com. On-line claims will be given priority processing.

All claims for warranty will be denied if paperwork has not been received or claim submitted via Maxon website for processing by MAXON's Warranty Department within 30 days of repair date.

All components may be subject to return for inspection, prior to the claim being processed. MAXON products may not be returned without prior written approval from MAXON's Technical Service Department. Returns must be accompanied by a copy of the original invoice or reference with original invoice number and are subject to a credit deduction to cover handling charges and any necessary reconditioning costs. **Unauthorized returns will be refused and will become the responsibility of the returnee.**

Any goods being returned to MAXON Lift must be pre-approved for return, and have the R.M.A. number written on the outside of the package in plain view, and returned freight prepaid. All returns are subject to a 15% handling charge if not accompanied by a detailed packing list. Returned parts are subject to no credit and returned back to the customer.

Defective Parts requested for return must be returned within 30 days of the claim date for consideration to:

MAXON Lift Corp.
16205 Distribution Way, Cerritos, CA 90703
Attn: RMA#___

MAXON's warranty policy does not include the reimbursement for travel time, towing, vehicle rental, service calls, oil, batteries or loss of income due to downtime. Fabrication or use of non Maxon parts, which are available from MAXON, are also not covered.

MAXON's Flat Rate Labor Schedule takes into consideration the time required for diagnosis of a problem.

All Liftgates returned are subject to inspection and a 15% restocking fee. Any returned Liftgates or components that have been installed or not returned in new condition will be subject to an additional reworking charge which will be based upon the labor and material cost required to return the Liftgate or component to new condition.

PURCHASE PART WARRANTY

Term of Warranty: 1 Year from Date of Purchase.

Type of Warranty: Part replacement only

MAXON will guarantee all returned genuine MAXON replacement parts upon receipt and inspection of parts and original invoice.

All warranty replacements parts will be sent out via ground freight. If a Rush Shipment is requested all freight charges will be billed to the requesting party.

TABLE OF CONTENTS

WARNINGS	7
ORDERING PARTS	7
BMR-A LIFTGATE SECTION	8
BMR-A LIFTGATE (WITH TAILLIGHTS & WITHOUT TAILLIGHTS)	9
MAIN FRAME & ATTACHING HARDWARE (BMR-A)	10
RH COLUMN ASSEMBLY (WITH TAILLIGHTS)	12
RH COLUMN ASSEMBLY (WITHOUT TAILLIGHTS)	14
RH RUNNER ASSEMBLY (BMR-A)	16
SPRING GUARD MOUNTING	18
UPPER TANDEM ASSEMBLY, RH RUNNER	19
TANDEM ASSEMBLY (LOWER)	20
LH COLUMN ASSEMBLY (WITH TAILLIGHTS)	22
LH COLUMN ASSEMBLY (WITHOUT TAILLIGHTS)	24
LH RUNNER ASSEMBLY (BMR-A)	26
UPPER TANDEM ASSEMBLY, LH RUNNER	28
PLATFORM, FLIPOVER, AND CHAIN ASSEMBLY (STEEL)	30
ALUMINUM RETENTION RAMP ASSEMBLY (USE WITH STEEL PLATFORM)	32
LH CHAIN ASSEMBLY (FOR STEEL PLATFORM)	34
RH CHAIN ASSEMBLY (FOR STEEL PLATFORM)	35
PLATFORM, FLIPOVER, AND CHAIN ASSEMBLY (ALUMINUM)	36
PLATFORM & CHAIN ASSY W/FIXED RAMP (ALUMINUM)	38

TABLE OF CONTENTS - Continued

PLATFORM ASSEMBLY (ALUMINUM)	40
PLATFORM FLIPOVER (ALUMINUM - NO RAMP)	41
PLATFORM FLIPOVER W/FIXED RAMP (ALUMINUM)	42
ALUMINUM RETENTION RAMP ASSEMBLY (USE WITH ALUMINUM PLATFORM)	44
L.H. CHAIN ASSEMBLY (FOR ALUMINUM PLATFORM)	46
R.H. CHAIN ASSEMBLY (FOR ALUMINUM PLATFORM)	47
BMR-A-CS & ONE PIECE LIFTGATE SECTION	49
BMR-A-CS LIFTGATE	50
BMR-A-ONE PIECE LIFTGATE	51
MAIN FRAME & ATTACHING HARDWARE (BMR-A-CS & ONE PIECE PLATFORM)	52
RH COLUMN ASSEMBLY (BMR-A-CS & ONE PIECE)	54
RH RUNNER ASSEMBLY (BMR-A-CS & ONE PIECE)	56
SPRING GUARD MOUNTING	58
UPPER TANDEM ASSEMBLY, RH RUNNER	59
TANDEM ASSEMBLY (LOWER)	60
LH COLUMN ASSEMBLY (BMR-A-CS & ONE PIECE)	62
LH RUNNER ASSEMBLY (BMR-A-CS & ONE PIECE)	64
UPPER TANDEM ASSEMBLY, LH RUNNER	66
CS PLATFORM ASSEMBLY (STEEL)	68
ONE PIECE STEEL PLATFORM ASSEMBLY	70
ALUMINUM RETENTION RAMP ASSEMBLY (USED WITH STEEL PLATFORM)	72

TABLE OF CONTENTS - Continued

ONE PIECE ALUMINUM PLATFORM ASSEMBLY (42" DEEP)	74
ONE PIECE ALUMINUM PLATFORM ASSEMBLY (48" DEEP)	76
ALUMINUM RETENTION RAMP ASSEMBLY (USED WITH ALUMINUM PLATFORM)	78
HYDRAULIC COMPONENTS SECTION	81
DUAL PUMP ASSEMBLY, POWER DOWN	82
HYDRAULIC COMPONENTS, POWER DOWN	84
SINGLE PUMP ASSEMBLY, POWER DOWN	86
PUMP/MOTOR, POWER DOWN	88
PUMP/MOTOR, GRAVITY DOWN	90
DUAL PUMP ASSEMBLY, GRAVITY DOWN	92
HYDRAULIC COMPONENTS, GRAVITY DOWN	94
SINGLE PUMP ASSEMBLY, GRAVITY DOWN	96
ELECTRICAL COMPONENTS SECTION	99
ELECTRICAL COMPONENTS	100
ELECTRICAL COMPONENTS - DUAL PUMP BOX	102
ELECTRICAL COMPONENTS - SINGLE PUMP BOX	103
ELECTRICAL COMPONENTS - BATTERY BOX	104
BATTERY BOX	106

Comply with the following WARNINGS while maintaining Liftgates.

⚠ WARNING

- Read and understand the instructions in **Maintenance Manuals M-00-26** and **M-01-24** before performing maintenance on the Liftgate.
- **Disconnect Liftgate power cable from battery** before repairing or servicing Liftgate.
- Wear appropriate safety equipment such as protective eyeglasses, faceshield and clothing while performing maintenance on the Liftgate and handling the battery. Debris from drilling and contact with battery acid may injure unprotected eyes and skin.
- Be careful working by an automotive type battery. Make sure the work area is well ventilated and there are no flames or sparks near the battery. Never lay objects on the battery that can short the terminals together. If battery acid gets in your eyes, immediately seek first aid. If acid gets on your skin, immediately wash it off with soap and water.
- Never perform unauthorized modifications on the Liftgate. Modifications may result in early failure of the Liftgate and may create hazards for Liftgate operators and maintainers.

ORDERING PARTS

- Use only **Maxon Authorized Parts** for replacement parts. Order replacement parts from:

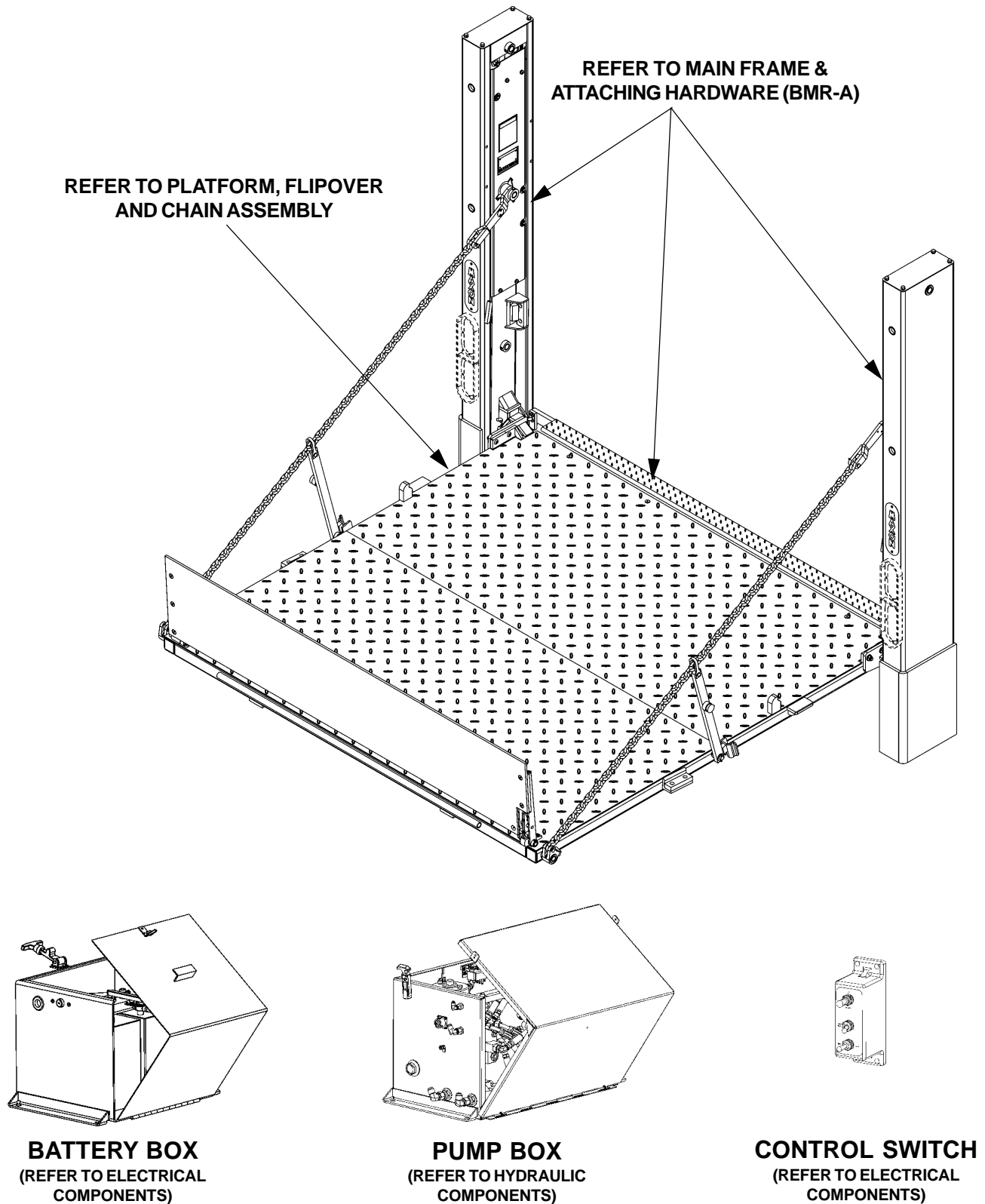
MAXON LIFT CORP. Customer Service
11921 Slauson Ave., Santa Fe Springs, CA 90670
Phone: (800) 227-4116

- To order parts by e-mail, submit orders to **partssales@maxonlift.com**.
- Provide Liftgate model and serial number information with your parts order.
- Need Technical Support? Send requests by e-mail to **technicalsupport@maxonlift.com**.
- For latest version Manuals (and replacements), download Manuals from Maxon's website at **www.maxonlift.com**.

11921 Slauson Ave. Santa Fe Springs, CA. 90670 (800) 227-4116 FAX (888) 771-7713

BMR-A LIFTGATE SECTION

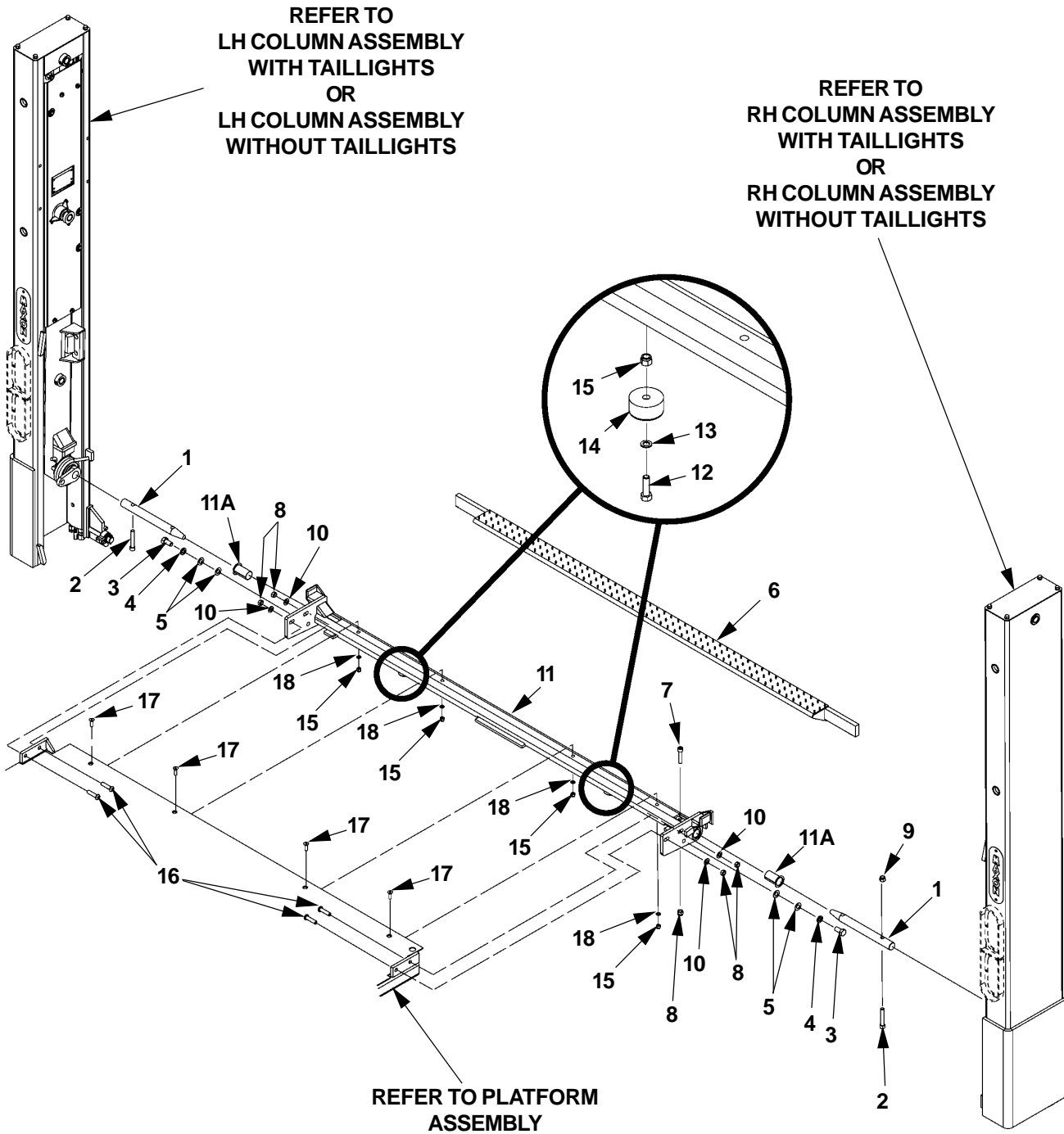
BMR-A LIFTGATE (WITH TAILLIGHTS & WITHOUT TAILLIGHTS)



MAXON 11921 Slauson Ave. Santa Fe Springs, CA. 90670 (800) 227-4116 FAX (888) 771-7713

MAIN FRAME & ATTACHING HARDWARE (BMR-A)

11921 Slauson Ave. Santa Fe Springs, CA. 90670 (800) 227-4116 FAX (888) 771-7713



MAIN FRAME & ATTACHING HARDWARE (BMR-A)

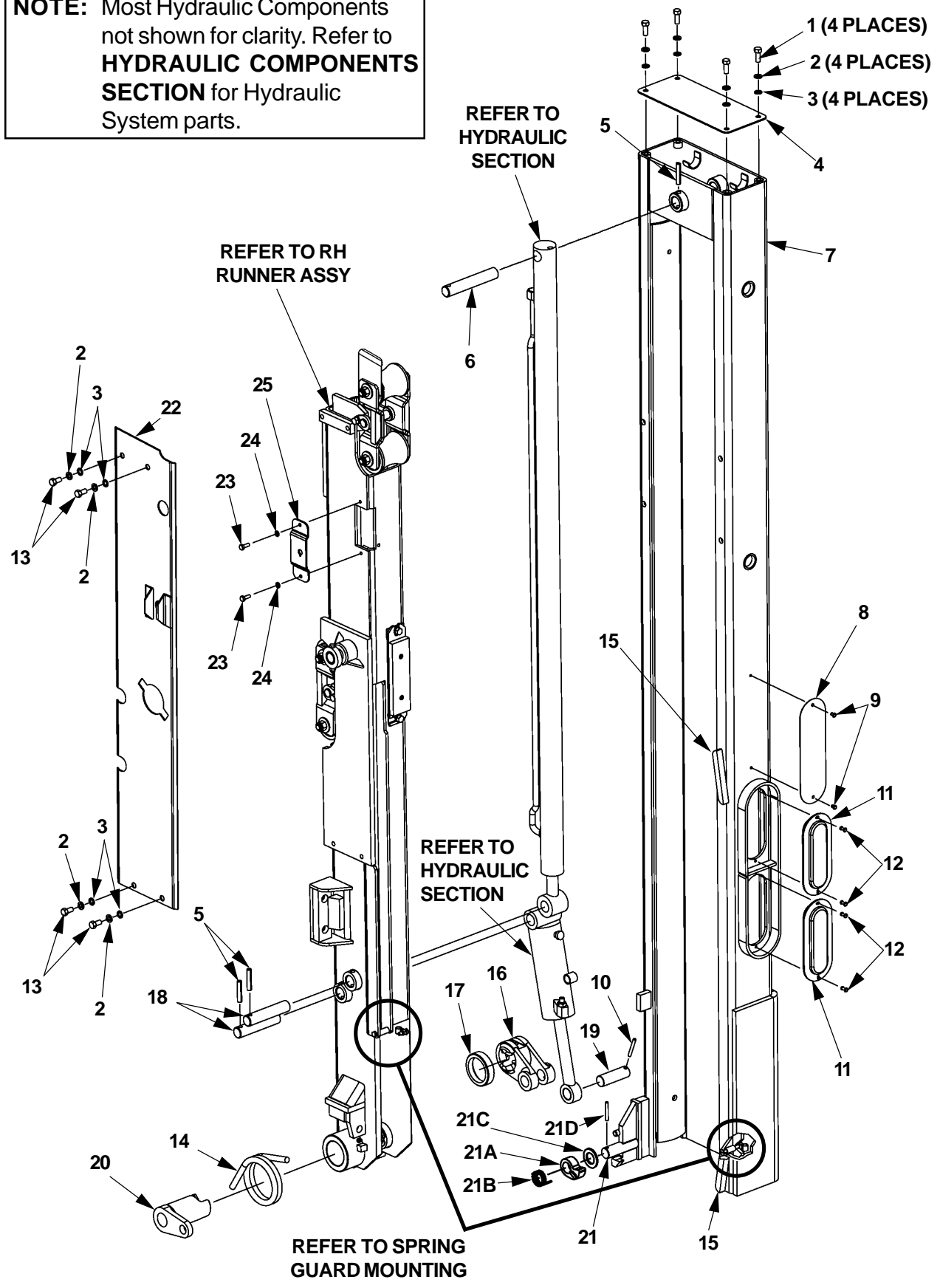
ITEM	QTY.	PART NO.	DESCRIPTION
1	2	280103	PIN
2	2	900037-11	SOCKET HEAD SCREW, GRADE 8, 1/2"-20 X 3" LG.
3	2	900055-1	HEX HEAD SCREW, 5/8"-11 X 1-1/4" LG.
4	2	902011-8	LOCK WASHER, 5/8"
5	4	902000-18	FLAT WASHER, 5/8"
6	1	280340-01	EXTENSION PLATE (96" WIDE)
		280340-02	EXTENSION PLATE (102" WIDE)
7	1	900036-10	SOCKET HEAD SCREW, GRADE 8, 1/2"-13 X 2-1/4" LG.
8	5	040066	NYLON LOCK NUT, 1/2"-13
9	1	901008	NYLON LOCK NUT, 1/2"-20
10	4	902013-13	FLAT WASHER, 1/2"
11	1	280090-01	CONNECTOR BAR ASSEMBLY 96" WIDE
		280090-02	CONNECTOR BAR ASSEMBLY 102" WIDE
11A	2	905200	BEARING, SELF LUBE
12	2	900014-5	HEX HEAD BOLT, 3/8"-16 X 1-1/4" LG.
13	2	902000-10	FLAT WASHER, 3/8"
14	2	253516	RUBBER BUMPER
15	6	901002	NYLON LOCK NUT, 3/8"-16
16	4	900068-04	BUTTON HEAD SCREW, 1/2"-13 X 1-3/4" (STEEL PLATFORM ONLY)
		900068-06	BUTTON HEAD SCREW, 1/2"-13 X 2-1/4" (ALUMINUM PLATFORM ONLY)
17	4	900040-5	SOCKET HEAD SCREW, 3/8"-16 X 1-1/4" LG.
18	4	902001-2	FLAT WASHER, 3/8"

MAXON[®] 11921 Slauson Ave. Santa Fe Springs, CA. 90670 (800) 227-4116 FAX (888) 771-7713

RH COLUMN ASSEMBLY (WITH TAILLIGHTS)

NOTE: Most Hydraulic Components not shown for clarity. Refer to **HYDRAULIC COMPONENTS SECTION** for Hydraulic System parts.

11921 Slauson Ave. Santa Fe Springs, CA. 90670 (800) 227-4116 FAX (888) 771-7713



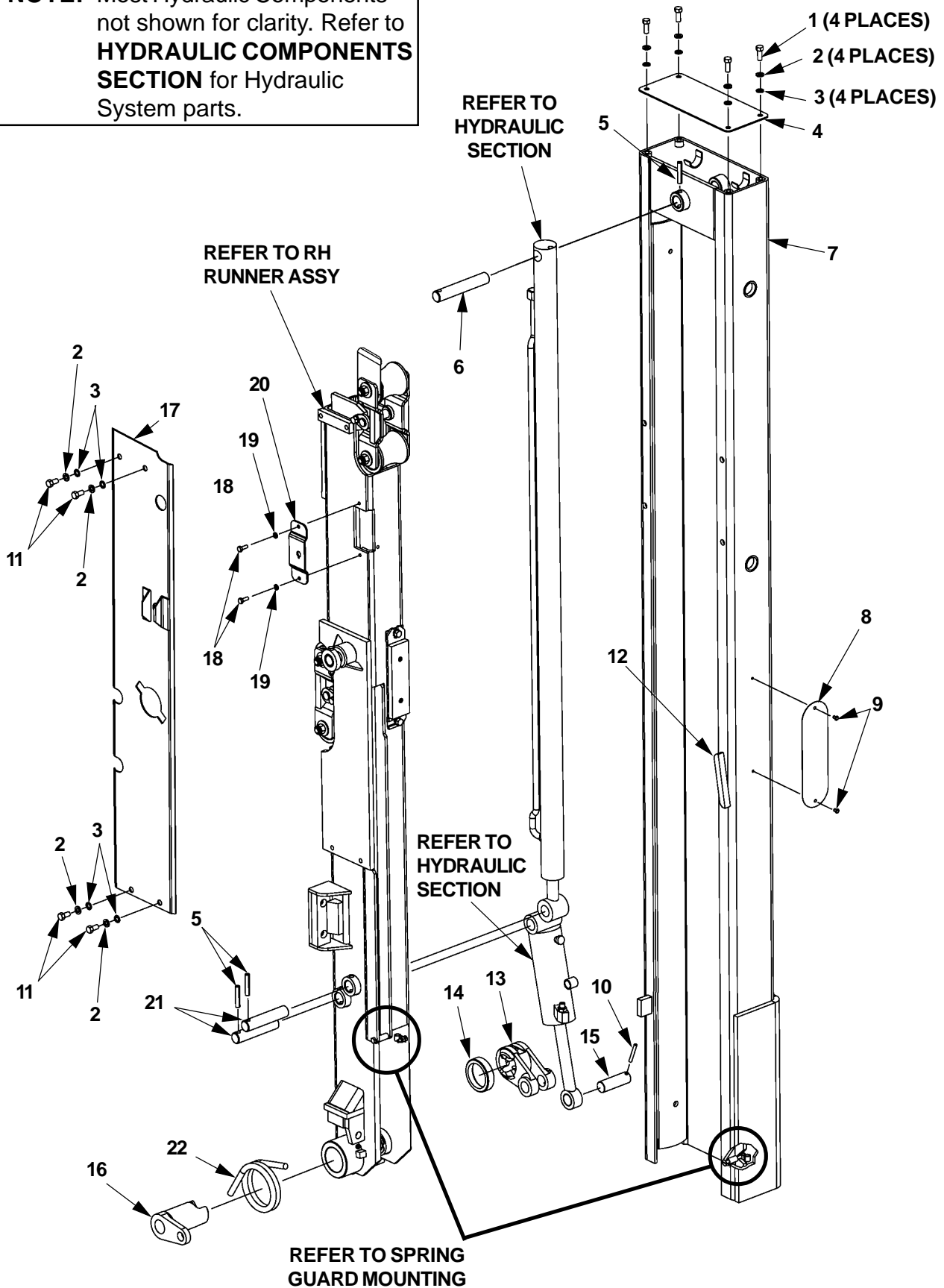
RH COLUMN ASSEMBLY (WITH TAILLIGHTS)

ITEM	QTY.	PART NO.	DESCRIPTION
REF	1	280670-01	RH COLUMN ASSEMBLY (BMRA 35/44)
		280670-02	RH COLUMN ASSEMBLY (BMRA 55/66)
1	4	900014-4	HEX HEAD BOLT, 3/8"-16 x 1" LG., GRADE 8
2	8	902011-4	LOCK WASHER, 3/8"
3	8	902000-10	FLAT WASHER, 3/8"
4	1	263114	COLUMN TOP COVER
5	3	221416	ROLL PIN
6	1	263457	PIN, 5-7/8" LG.
7	1	280665-01	RH COLUMN
8	1	260478	MAXON PLATE
9	2	207644	POP RIVET, 3/16" x .40" LG.
10	1	905033-5	ROLL PIN
11	2	265924-01	LIGHT, STOP/TAIL/TURN LED
12	4	904005-2	BLIND RIVET
13	4	900064-02	BUTTONHEAD SCREW, 3/8"-16 x 5/8" LG.
14	1	260179	TORSION SPRING
15	2	280018	LOCKING FLAT
16	1	260517	COUPLING INSIDE ASSEMBLY
17	1	253695	BUSHING, 3/4"
18	2	253590	PIN, 4-3/4" LG.
19	1	253772	PIN, 3-3/32" LG.
20	1	260516-01	COUPLING OUTSIDE ASSEMBLY
21	1	280580-02	BOTTOM STOP ASSEMBLY, RH
21A	1	260783-02	RH ROTATING BLOCK
21B	1	260404-02	TORSION SPRING
21C	1	902028-16	FLAT WASHER, 5/8"
21D	1	905033-1	ROLL PIN
22	1	280668-01	COLUMN COVER, RH
23	2	900000-1	HEX HEAD BOLT, 1/4"-20 x 3/4" LG., GRADE 8
24	2	902011-2	LOCK WASHER, 1/4"
25	1	253694	SWITCH PLATE

MAXON[®] 11921 Slauson Ave. Santa Fe Springs, CA. 90670 (800) 227-4116 FAX (888) 771-7713

RH COLUMN ASSEMBLY (WITHOUT TAILLIGHTS)

NOTE: Most Hydraulic Components not shown for clarity. Refer to **HYDRAULIC COMPONENTS SECTION** for Hydraulic System parts.



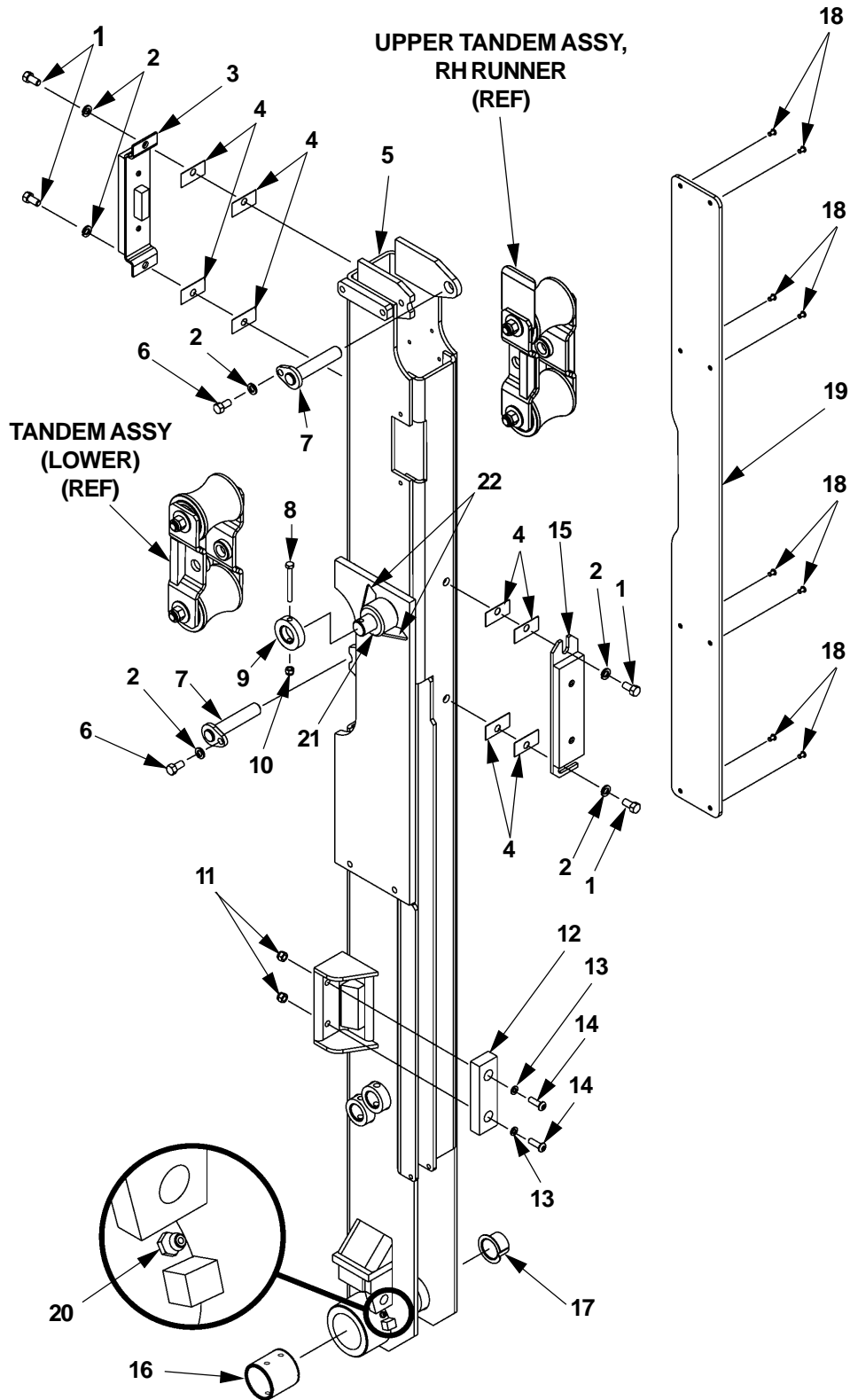
11921 Slauson Ave. Santa Fe Springs, CA. 90670 (800) 227-4116 FAX (888) 771-7713

RH COLUMN ASSEMBLY (WITHOUT TAILLIGHTS)

ITEM	QTY.	PART NO.	DESCRIPTION
REF	1	280670-11	RH COLUMN ASSEMBLY
1	4	900014-4	HEX HEAD BOLT, 3/8"-16 x 1" LG, GRADE 8
2	8	902011-4	LOCK WASHER, 3/8"
3	8	902000-10	FLAT WASHER, 3/8"
4	1	263114	COLUMN TOP COVER
5	3	221416	ROLL PIN
6	1	263457	PIN, 5-7/8" LG.
7	1	280665-11	RH COLUMN
8	1	260478	MAXON PLATE
9	2	207644	POP RIVET, 3/16" x .40" LG.
10	1	905033-5	ROLL PIN
11	4	900064-02	BUTTONHEAD SCREW, 3/8"-16 x 5/8" LG.
12	1	280018	LOCKING FLAT
13	1	260517	COUPLING INSIDE ASSEMBLY
14	1	253695	BUSHING, 3/4"
15	1	253772	PIN, 3-3/32" LG.
16	1	260516-01	COUPLING OUTSIDE ASSEMBLY
17	1	280668-01	COLUMN COVER, RH
18	2	900000-1	HEX HEAD BOLT, 1/4"-20 x 3/4" LG, GRADE 8
19	2	902011-2	LOCK WASHER, 1/4"
20	1	253694	SWITCH PLATE
21	2	253590	PIN, 4-3/4" LG.
22	1	260179	.TORSION SPRING

MAXON[®] 11921 Slauson Ave. Santa Fe Springs, CA. 90670 (800) 227-4116 FAX (888) 771-7713

RH RUNNER ASSEMBLY (BMR-A)



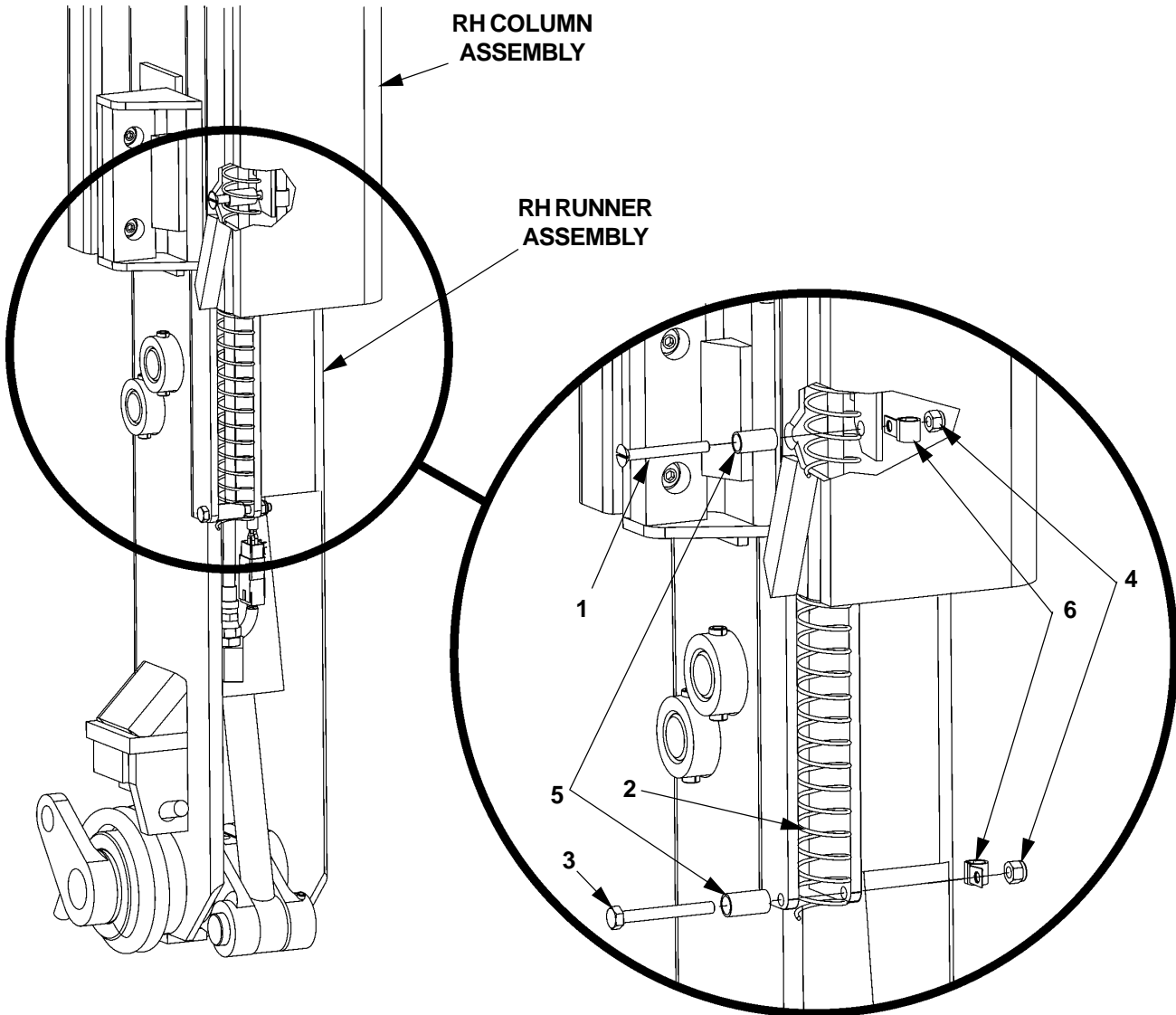
11921 Slauson Ave. Santa Fe Springs, CA. 90670 (800) 227-4116 FAX (888) 771-7713

RH RUNNER ASSEMBLY (BMR-A)

ITEM	QTY.	PART NO.	DESCRIPTION
REF	1	280706-01	RH RUNNER ASSEMBLY
1	4	900014-12	HEX HEAD BOLT, 3/8"-16 x 5/8" LG.
2	6	902011-4	LOCK WASHER, 3/8"
3	1	263221	UPPER PAD SUPPORT ASSEMBLY
4	8	263030	SPACER
5	1	280704-01	RH RUNNER
6	2	900014-3	HEX HEAD BOLT, 3/8" - 16X3/4" LG.
7	2	280067	ARM WELDMENT
8	1	900000-10	BOLT, 1/4-20 x 2-1/2" LG.
9	1	253615	PIN COLLAR, 1/2"
10	1	901000	NYLON LOCK NUT
11	2	901001	NYLON LOCK NUT
12	1	225278-02	BUMPER
13	2	902013-10	FLAT WASHER, 5/16"
14	2	900001-4	BUTTON HEAD SCREW, 5/16"-18 x 1-1/4" LG.
15	1	263225	LOWER PAD SUPPORT ASSEMBLY
16	1	908011-01	BEARING, SELF LUBE
17	1	253595	BEARING, SELF LUBE
18	8	207644	POP RIVET, 3/16" x .40" LG.
19	1	253543	PAD
20	1	224342	GREASE FITTING 1/4"
21	1	253614	CHAIN BRACKET WELDMENT
22	2	253645	GUSSET, CHAIN BRACKET

MAXON® 11921 Slauson Ave. Santa Fe Springs, CA. 90670 (800) 227-4116 FAX (888) 771-7713

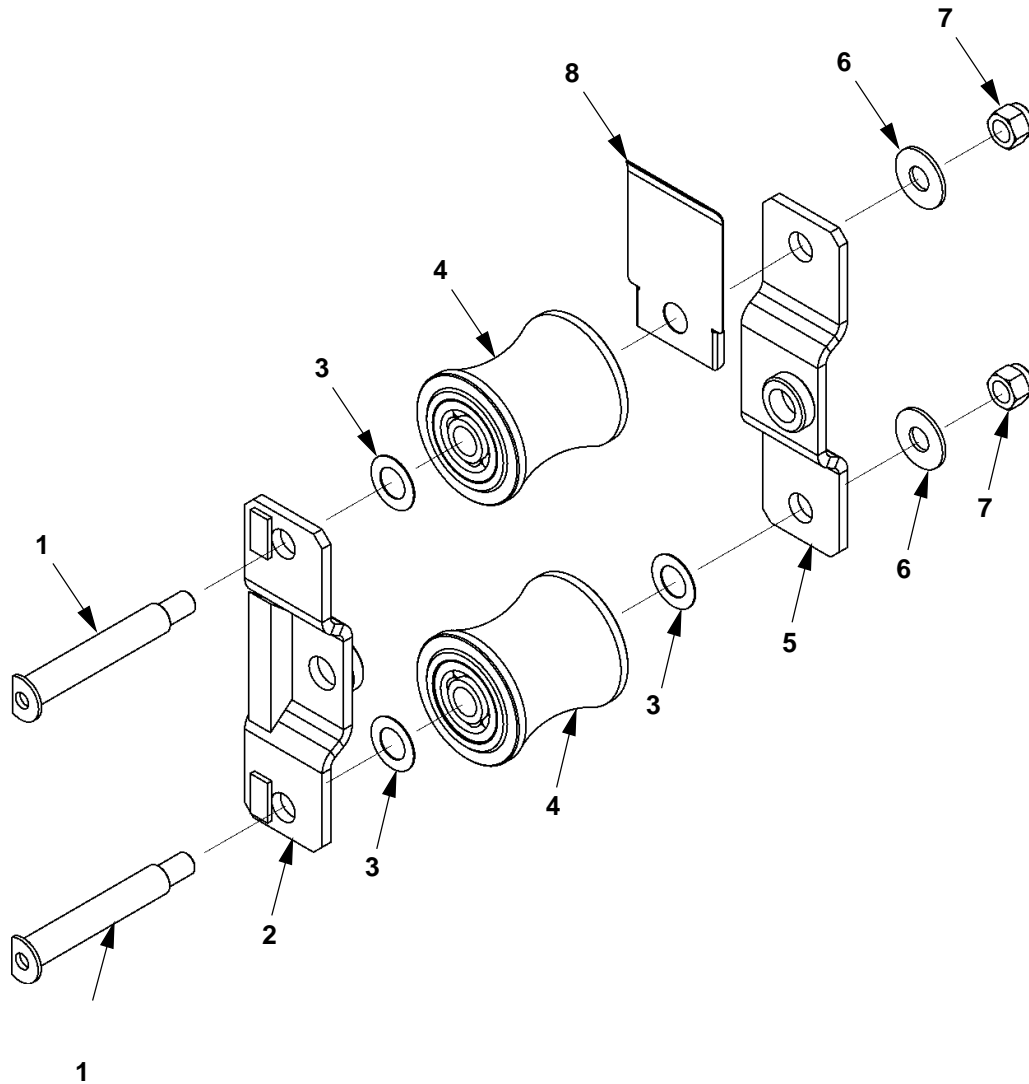
SPRING GUARD MOUNTING



11921 Slauson Ave. Santa Fe Springs, CA. 90670 (800) 227-4116 FAX (888) 771-7713

ITEM	QTY.	PART NO.	DESCRIPTION
1	1	260299	FLAT HEAD SCREW, 1/4"-20 x 2-1/2" LG.
2	1	253603-01	SPRING GUARD
3	1	900000-9	HEX HEAD BOLT, GR 8, 1/4"-20 x 2-1/4" LG.
4	2	901000	NYLON LOCK NUT
5	2	253621	ROUND TUBE 1/2"DIA. x 15/16" LG.
6	2	224006	CLAMP, #6 RUBBER LOOM

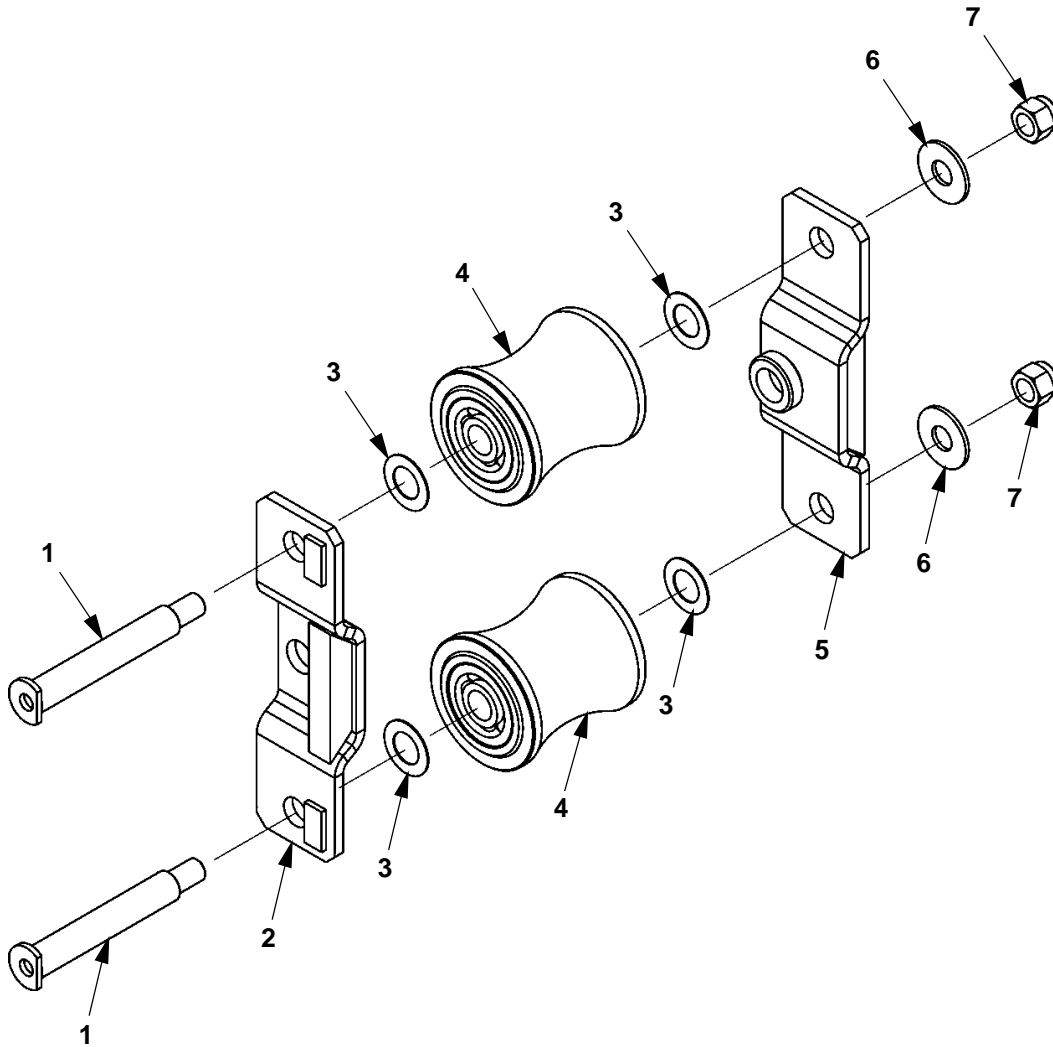
UPPER TANDEM ASSEMBLY, RH RUNNER



ITEM	QTY.	PART NO.	DESCRIPTION
REF	1	280055-02	UPPER TANDEM ASSEMBLY, RH RUNNER
1	2	253509-01	ROLLER AXLE
2	1	280064	ROLLER BRACKET
3	3	261182	FLAT WASHER, 1-1/4"
4	2	253550-100	ROLLER
5	1	280063	ROLLER BRACKET
6	2	902014	FLAT WASHER, 1-3/8"
7	2	901008	NYLON LOCK NUT
8	1	280851-01	ROLLER COVER

MAXON[®] 11921 Slauson Ave. Santa Fe Springs, CA. 90670 (800) 227-4116 FAX (888) 771-7713

TANDEM ASSEMBLY (LOWER)



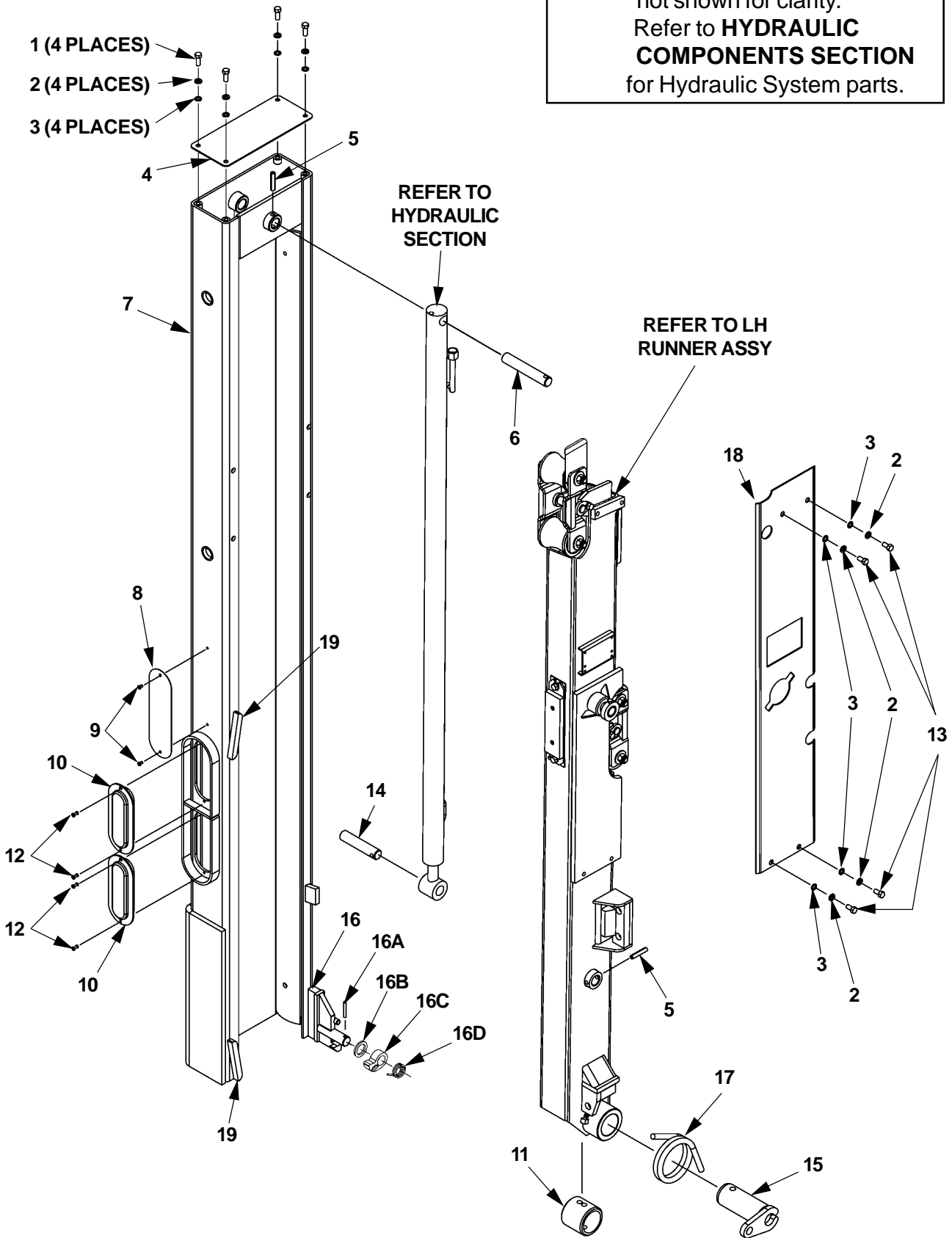
ITEM	QTY.	PART NO.	DESCRIPTION
REF	1	280055	TANDEM ASSEMBLY
1	2	253509-01	ROLLER AXLE
2	1	280064	ROLLER BRACKET
3	4	261182	FLAT WASHER, 1-1/4"
4	2	253550-100	ROLLER
5	1	280063	ROLLER BRACKET
6	2	902014	FLAT WASHER, 1-3/8"
7	2	901008	NYLON LOCK NUT

11921 Slauson Ave. Santa Fe Springs, CA. 90670 (800) 227-4116 FAX (888) 771-7713

THIS PAGE INTENTIONALLY LEFT BLANK

LH COLUMN ASSEMBLY (WITH TAILLIGHTS)

NOTE: Most Hydraulic Components not shown for clarity. Refer to **HYDRAULIC COMPONENTS SECTION** for Hydraulic System parts.



11921 Slauson Ave. Santa Fe Springs, CA. 90670 (800) 227-4116 FAX (888) 771-7713

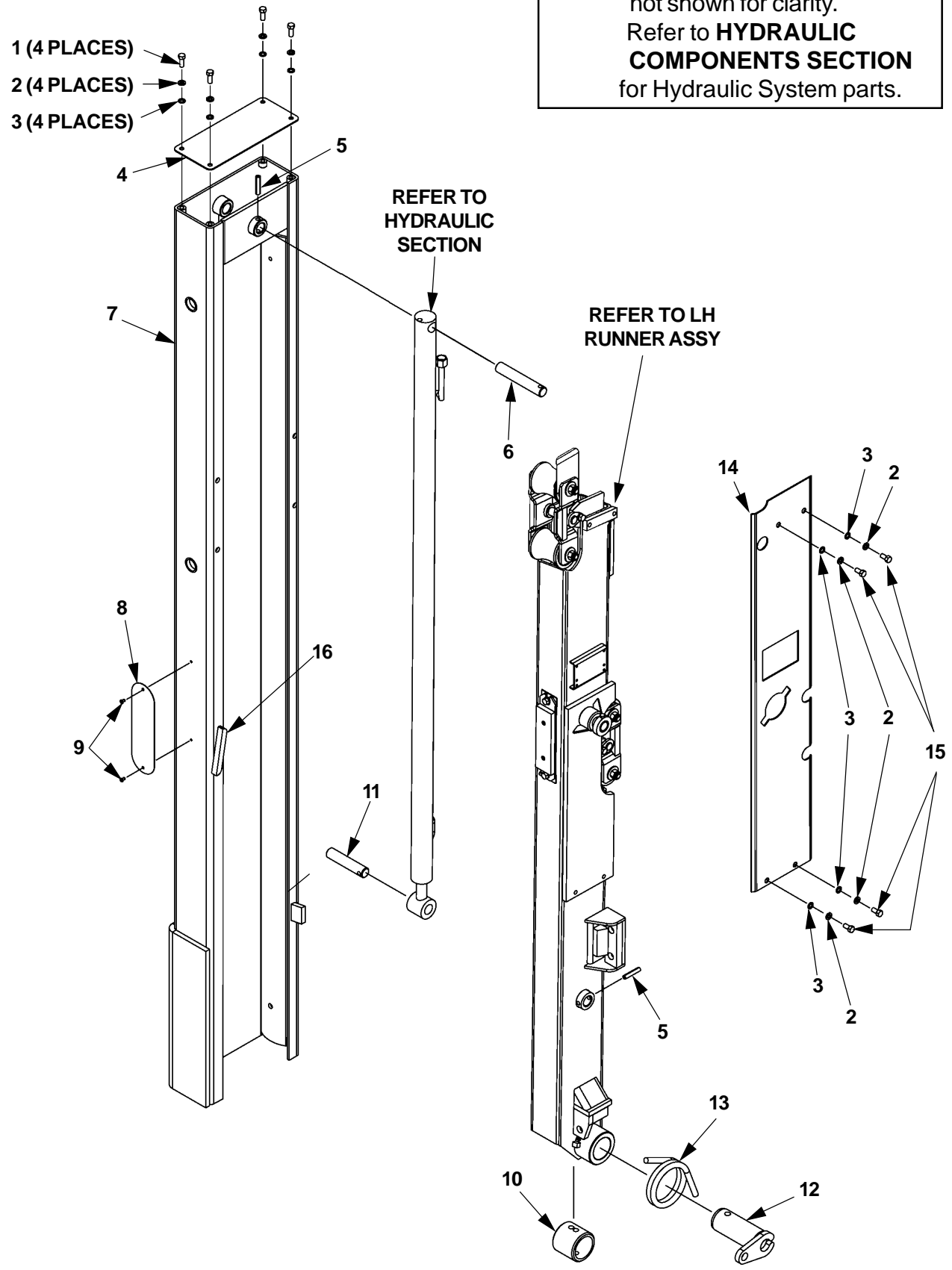
LH COLUMN ASSEMBLY (WITH TAILLIGHTS)

ITEM	QTY.	PART NO.	DESCRIPTION
REF	1	280669-01	LH COLUMN ASSEMBLY (BMRA 35/44)
		280669-02	LH COLUMN ASSEMBLY (BMRA 55/66)
1	4	900014-4	HEX HEAD BOLT, 3/8"-16 x 1" LG.
2	8	902011-4	LOCK WASHER, 3/8"
3	8	902000-10	FLAT WASHER, 3/8"
4	1	263114	COLUMN TOP COVER
5	2	221416	ROLL PIN
6	1	263457	PIN, 5-7/8" LG.
7	1	280664-01	LH COLUMN
8	1	260478	MAXON PLATE
9	2	207644	POP RIVET, 3/16" x .40" LG.
10	2	265924-01	LIGHT, STOP/TAIL/TURN LED
11	1	253696	PIN COLLAR, 2-3/4" LG.
12	4	904005-2	BLIND RIVET
13	4	900064-02	BUTTONHEAD SCREW, 3/8"-16 x 5/8" LG.
14	1	253590	PIN, 4-3/4" LG.
15	1	280623-01	PIN COLLAR WELDMENT
16	1	280580-01	BOTTOM STOP ASSEMBLY, LH
16A	1	905033-1	ROLL PIN
16B	1	902028-16	FLAT WASHER, 5/8"
16C	1	260783-01	LH ROTATING BLOCK
16D	1	260404-01	TORSION SPRING
17	1	280620-01	TORSION SPRING
18	1	280666-01	COLUMN COVER, LH
19	2	280018	LOCKING FLAT

MAXON[®] 11921 Slauson Ave. Santa Fe Springs, CA. 90670 (800) 227-4116 FAX (888) 771-7713

LH COLUMN ASSEMBLY (WITHOUT TAILLIGHTS)

NOTE: Most Hydraulic Components not shown for clarity.
Refer to **HYDRAULIC COMPONENTS SECTION** for Hydraulic System parts.



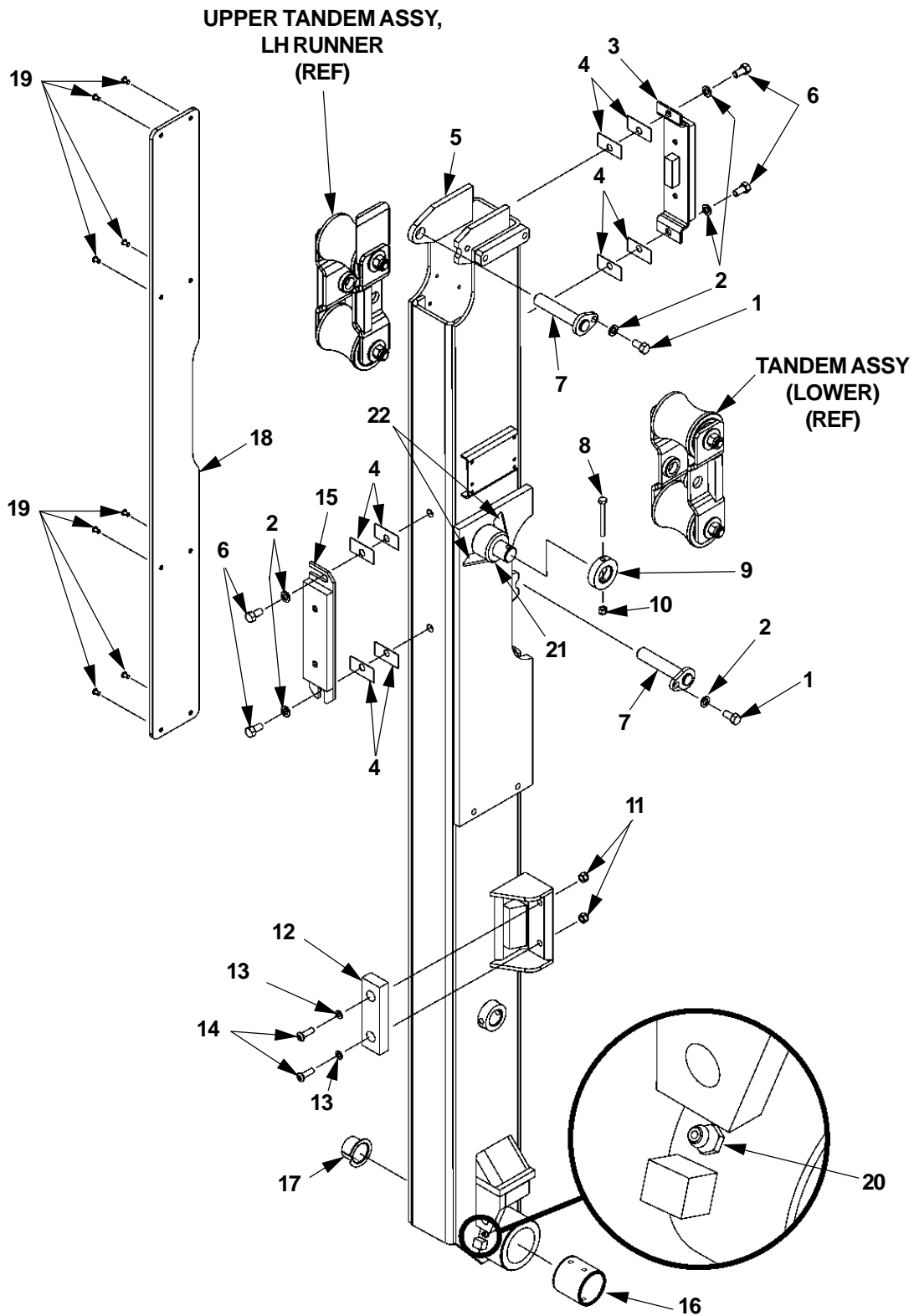
11921 Slauson Ave. Santa Fe Springs, CA. 90670 (800) 227-4116 FAX (888) 771-7713

LH COLUMN ASSEMBLY (WITHOUT TAILLIGHTS)

ITEM	QTY.	PART NO.	DESCRIPTION
REF	1	280669-11	LH COLUMN ASSEMBLY
1	4	900014-4	HEX HEAD BOLT, 3/8"-16 x 1" LG.
2	8	902011-4	LOCK WASHER, 3/8"
3	8	902000-10	FLAT WASHER, 3/8"
4	1	263114	COLUMN TOP COVER
5	2	221416	ROLL PIN
6	1	263457	PIN, 5-7/8" LG.
7	1	280664-11	LH COLUMN
8	1	260478	MAXON PLATE
9	2	207644	POP RIVET, 3/16" x .40" LG.
10	1	253696	PIN COLLAR, 2-3/4" LG.
11	1	253590	PIN, 4-3/4" LG.
12	1	280623-01	PIN COLLAR WELDMENT
13	1	280620-01	TORSION SPRING
14	1	280666-01	COLUMN SIDE COVER
15	4	900064-02	BUTTONHEAD SCREW, 3/8"-16 x 5/8" LG.
16	1	280018	LOCKING FLAT

MAXON[®] 11921 Slauson Ave. Santa Fe Springs, CA. 90670 (800) 227-4116 FAX (888) 771-7713

LH RUNNER ASSEMBLY (BMR-A)



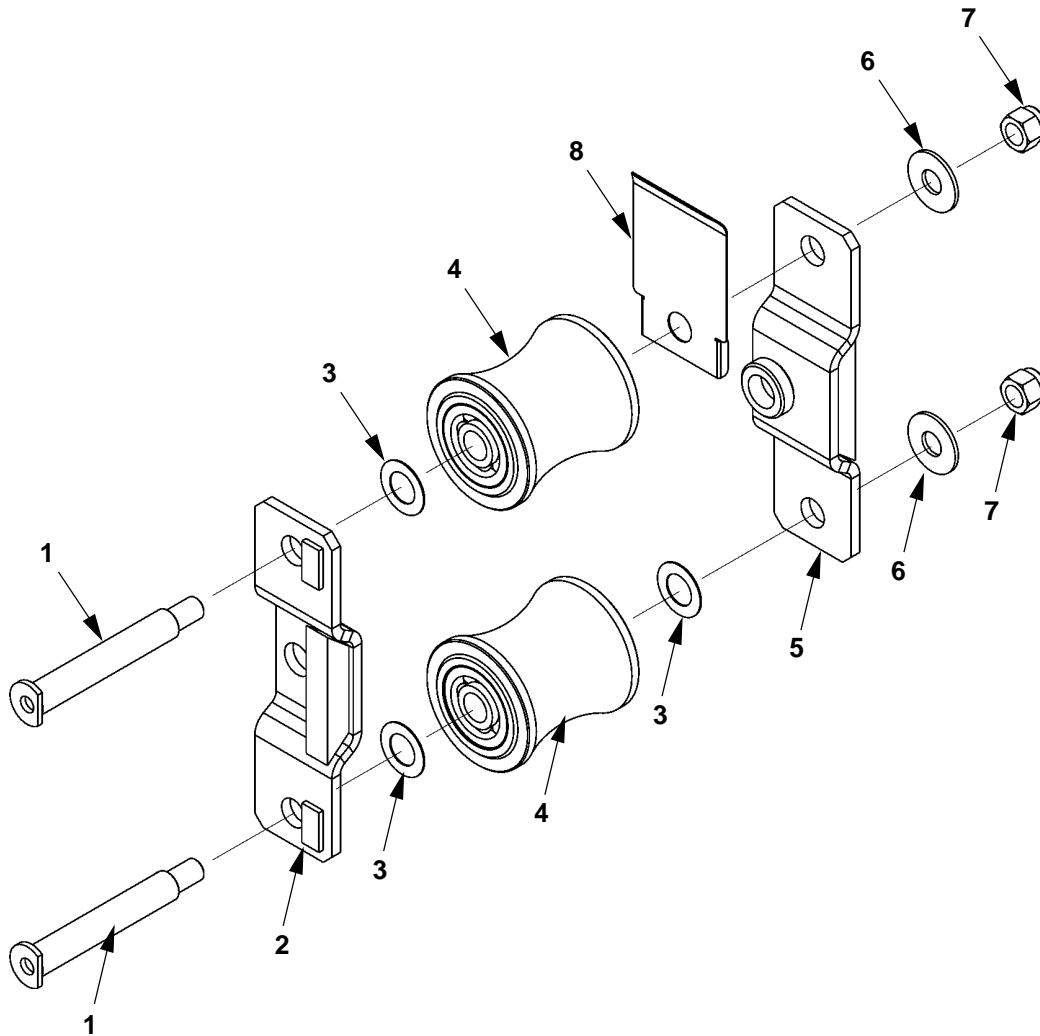
11921 Slauson Ave. Santa Fe Springs, CA. 90670 (800) 227-4116 FAX (888) 771-7713

LH RUNNER ASSEMBLY (BMR-A)

ITEM	QTY.	PART NO.	DESCRIPTION
REF	1	280705-01	LH RUNNER ASSEMBLY
1	2	900014-3	HEX HEAD BOLT, 3/8"-16 x 3/4" LG.
2	6	902011-4	LOCK WASHER, 3/8"
3	1	263221	UPPER PAD SUPPORT ASSEMBLY
4	A/R	263030	SPACER
5	1	280703-01	LH RUNNER
6	4	900014-12	HEX HEAD BOLT, 3/8" - 16X5/8" LG.
7	2	280067	ARM WELDMENT
8	1	900000-10	HEX HEAD BOLT, 1/4"-20 x 2-1/2" LG.
9	1	253615	PIN COLLAR, 1/2"
10	1	901000	NYLON LOCK NUT
11	2	901001	NYLON LOCK NUT
12	1	225278-02	BUMPER
13	2	902013-10	FLAT WASHER, 5/16"
14	2	900001-4	BUTTON HEAD SCREW, 5/16"-18 x 1" LG.
15	1	263225	LOWER PAD SUPPORT ASSEMBLY
16	1	908011-01	BEARING, SELF LUBE
17	1	253595	BEARING, SELF LUBE
18	1	253543	PAD
19	8	207644	POP RIVET, 3/16" x .40" LG.
20	1	224342	GREASE FITTING 1/4"
21	1	253614	CHAIN BRACKET WELDMENT
22	2	253645	GUSSET, CHAIN BRACKET

NOTE: A/R means As Required.

UPPER TANDEM ASSEMBLY, LH RUNNER

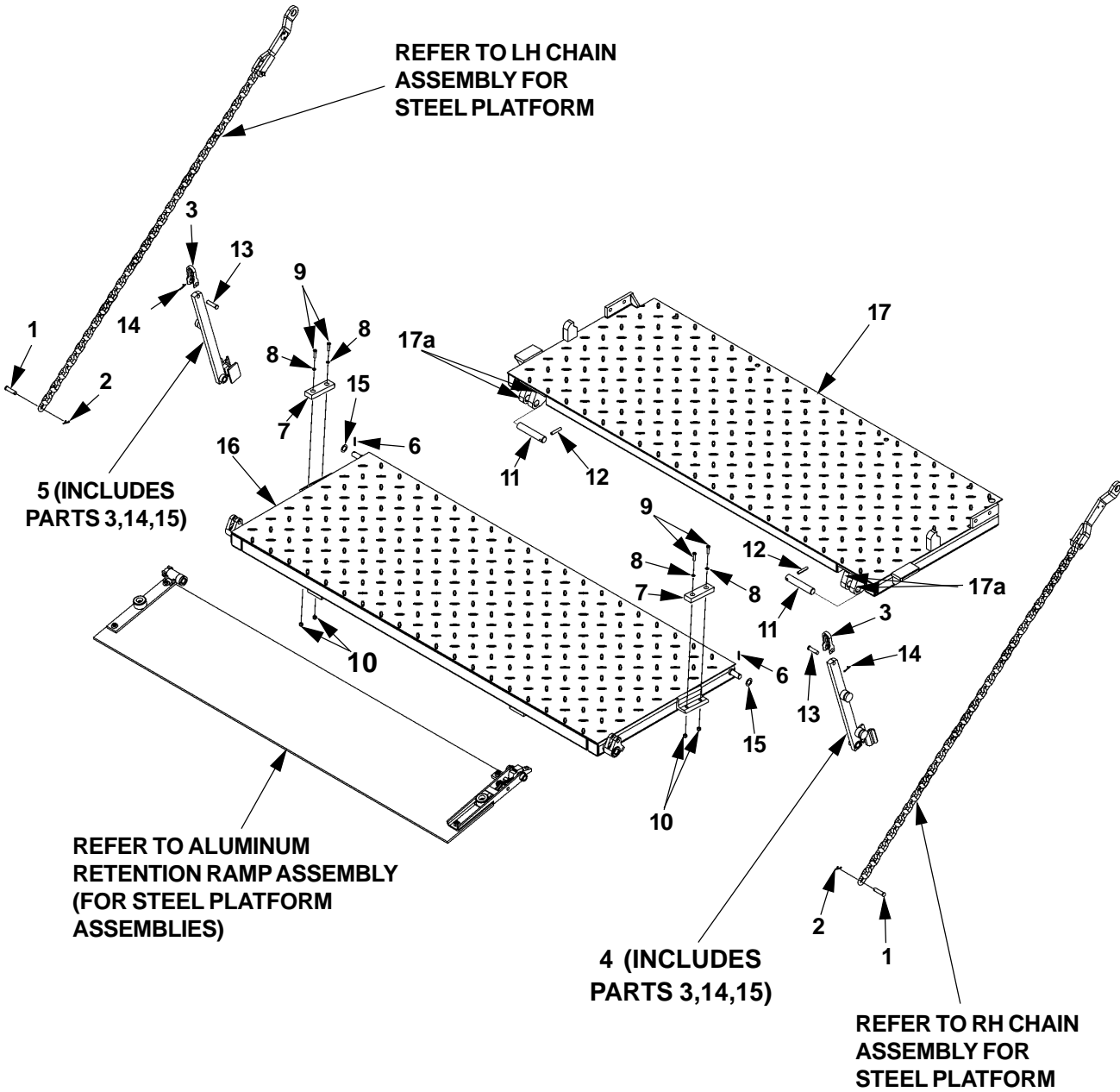


ITEM	QTY.	PART NO.	DESCRIPTION
REF	1	280055-01	UPPER TANDEM ASSEMBLY, LH RUNNER
1	2	253509-01	ROLLER AXLE
2	1	280064	ROLLER BRACKET
3	3	261182	FLAT WASHER, 1-1/4"
4	2	253550-100	ROLLER
5	1	280063	ROLLER BRACKET
6	2	902014	FLAT WASHER, 1-3/8"
7	2	901008	NYLON LOCK NUT
8	1	280851-01	ROLLER COVER

11921 Slauson Ave. Santa Fe Springs, CA. 90670 (800) 227-4116 FAX (888) 771-7713

THIS PAGE INTENTIONALLY LEFT BLANK

PLATFORM, FLIPOVER, AND CHAIN ASSEMBLY (STEEL)



11921 Slauson Ave. Santa Fe Springs, CA. 90670 (800) 227-4116 FAX (888) 771-7713

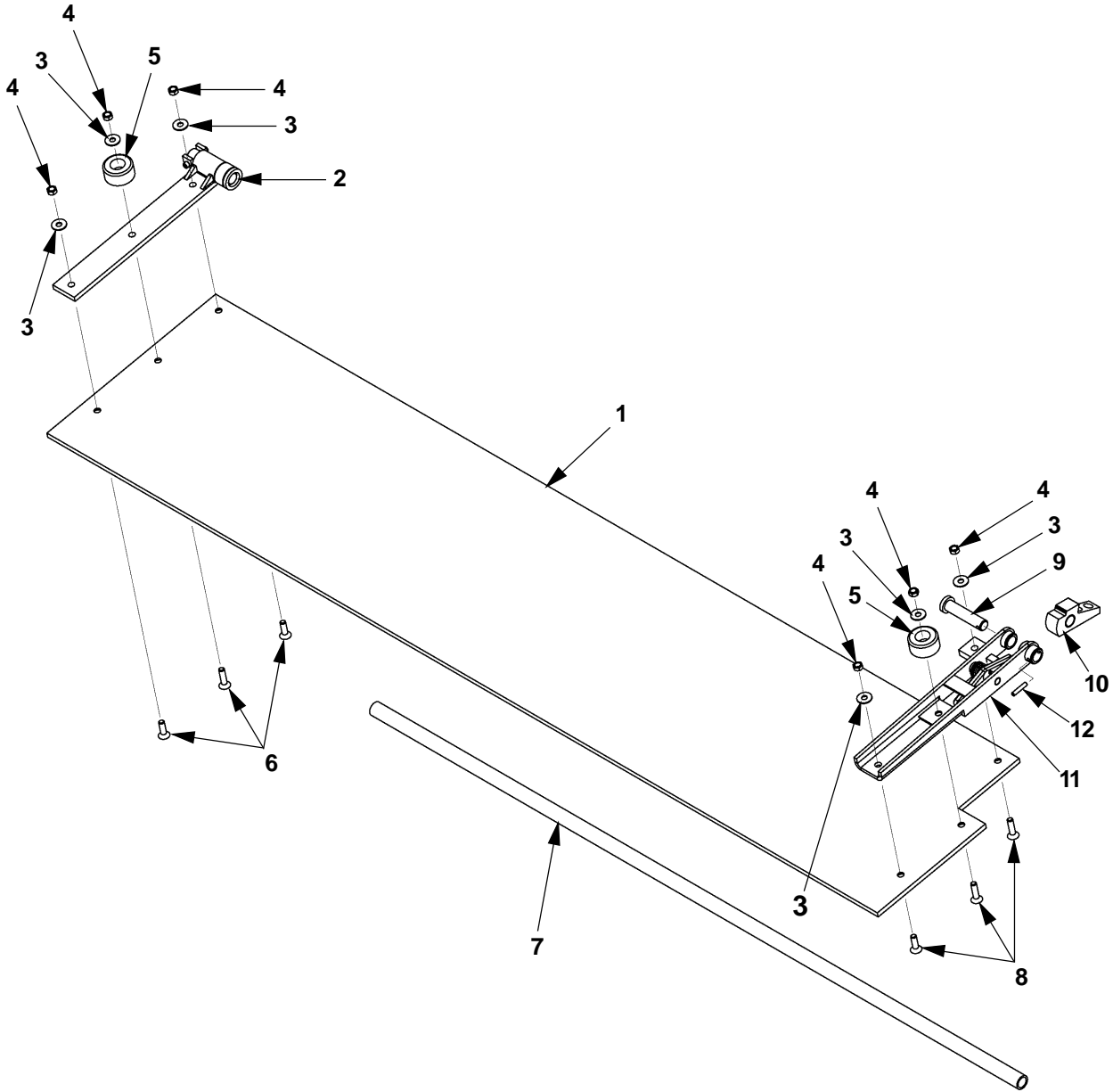
PLATFORM, FLIPOVER, AND CHAIN ASSEMBLY (STEEL)

ITEM	QTY.	DESCRIPTION	24" DEEP	30" DEEP	36" DEEP	42" DEEP
1	2	CLEVIS PIN	905136-01			
2	2	COTTER PIN	030177			
3	2	ANCHOR SHACKLE	280644-01			
4	1	OPENER ASSEMBLY RH, 30" + 30" *	280030-02			
		OPENER ASSEMBLY RH, 36" + 36" *	280030-04			
		OPENER ASSEMBLY RH, 42" + 42" *	280030-06			
		OPENER ASSEMBLY RH, 36" + 24" *	280030-08			
		OPENER ASSEMBLY RH, 42" + 30" *	280030-10			
5	1	OPENER ASSEMBLY LH, 30" + 30" *	280030-01			
		OPENER ASSEMBLY LH, 36" + 36" *	280030-03			
		OPENER ASSEMBLY LH, 42" + 42" *	280030-05			
		OPENER ASSEMBLY LH, 36" + 24" *	280030-07			
		OPENER ASSEMBLY LH, 42" + 30" *	280030-09			
6	2	ROLL PIN	905015-3			
7	2	BUMPER	225278-02			
8	4	FLAT WASHER, 5/16"	902013-10			
9	4	BUTTON HEAD SCREW, 5/16"-18 X 1/4" LG.	900001-4			
10	4	NYLON LOCK NUT	901001			
11	2	PIN, 5-1/2" LG.	253587			
12	2	ROLL PIN	221416			
13	2	CLEVIS PIN	905136-02			
14	2	COTTER PIN	030805			
15	2	FLAT WASHER, 1-1/4"	261685			
16	1	FLIPOVER, 96" WIDE VEHICLE (BMR 55-66)	280180-13	280180-08	280180-02	280180-03
		FLIPOVER, 102" WIDE VEHICLE (BMR 55-66)	280180-14	280180-04	280180-05	280180-06
		FLIPOVER, 96" WIDE VEHICLE (BMR 35-44)	280180-15	280180-07	280180-08	280180-09
		FLIPOVER, 102" WIDE VEHICLE (BMR 35-44)	280180-16	280180-10	280180-11	280180-12
17	1	PLATFORM, 96" WIDE VEHICLE (BMR 55-66)	N/A	280190-01	280190-02	280190-03
		PLATFORM, 102" WIDE VEHICLE (BMR 55-66)	N/A	280190-04	280190-05	280190-06
		PLATFORM, 96" WIDE VEHICLE (BMR35-44)	N/A	280190-07	280190-08	280190-09
		PLATFORM, 102" WIDE VEHICLE (BMR 35-44)	N/A	280190-10	280190-11	280190-12
17A	4	BEARING, SELF-LUBE	253657			

* PLATFORM + FLIPOVER DEPTH

MAXON 11921 Slauson Ave. Santa Fe Springs, CA. 90670 (800) 227-4116 FAX (888) 771-7713

ALUMINUM RETENTION RAMP ASSEMBLY (USE WITH STEEL PLATFORM)



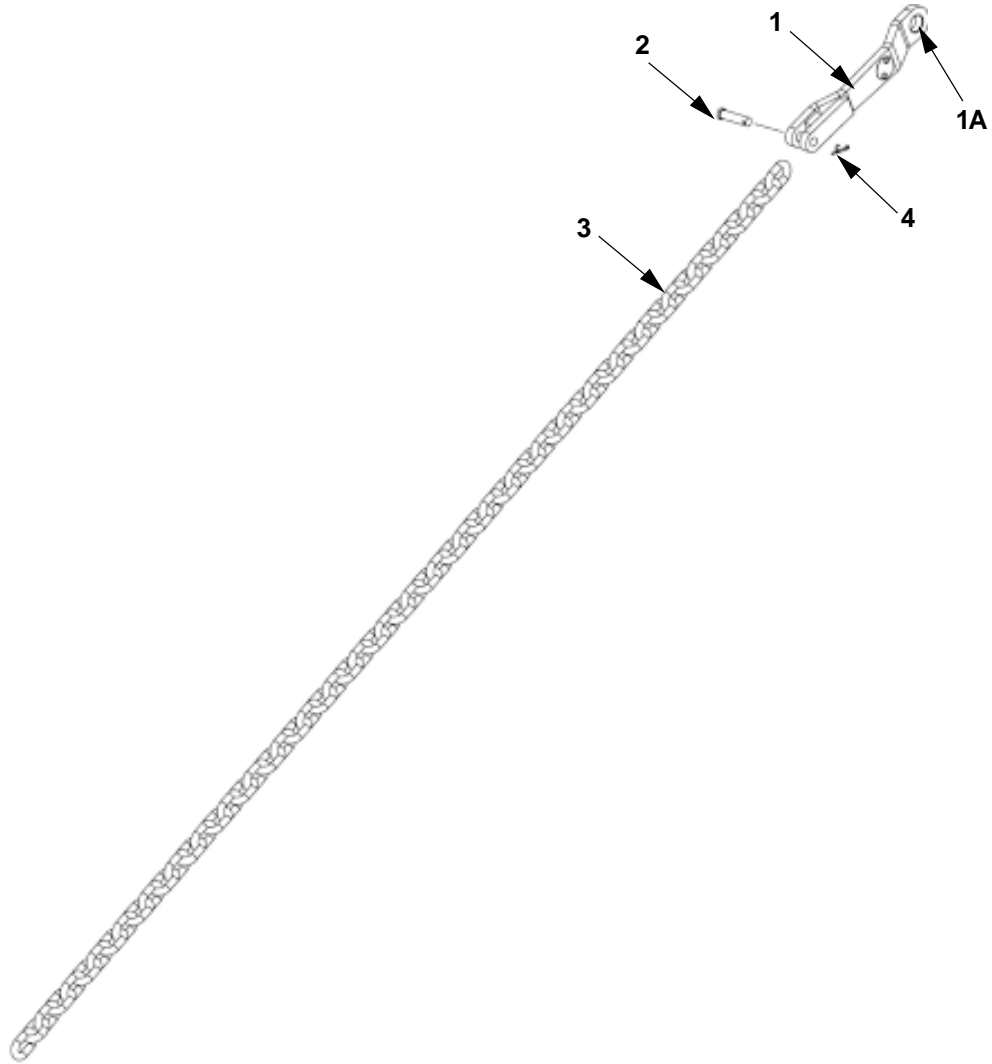
11921 Slauson Ave. Santa Fe Springs, CA. 90670 (800) 227-4116 FAX (888) 771-7713

ALUMINUM RETENTION RAMP ASSEMBLY (USE WITH STEEL PLATFORM)

ITEM	QTY.	PART NO.	DESCRIPTION
1	1	264697-02	ALUMINUM RAMP (96" WIDE VEHICLE)
		264697-03	ALUMINUM RAMP (102" WIDE VEHICLE)
2	1	253524	HINGE ASSEMBLY LH
3	6	902001-2	FLAT WASHER, 3/8"
4	6	030955	NYLON LOCK NUT
5	2	253516	RUBBER BUMPER
6	3	900040-5	SCREW, FLAT SOCKET HEAD, 3/8"-16" X 1-1/4" LG.
7	1	225985	PIPE, 60" LG.
8	3	900040-6	SCREW, FLAT SOCKET HEAD, 3/8"-16 X 1-1/2" LG.
9	1	264586	PIN WELDMENT
10	1	264639	LOCKING CAM
11	1	264572	HINGE ASSEMBLY RH
12	1	905033-2	ROLL PIN

MAXON[®] 11921 Slauson Ave. Santa Fe Springs, CA. 90670 (800) 227-4116 FAX (888) 771-7713

LH CHAIN ASSEMBLY (FOR STEEL PLATFORM)

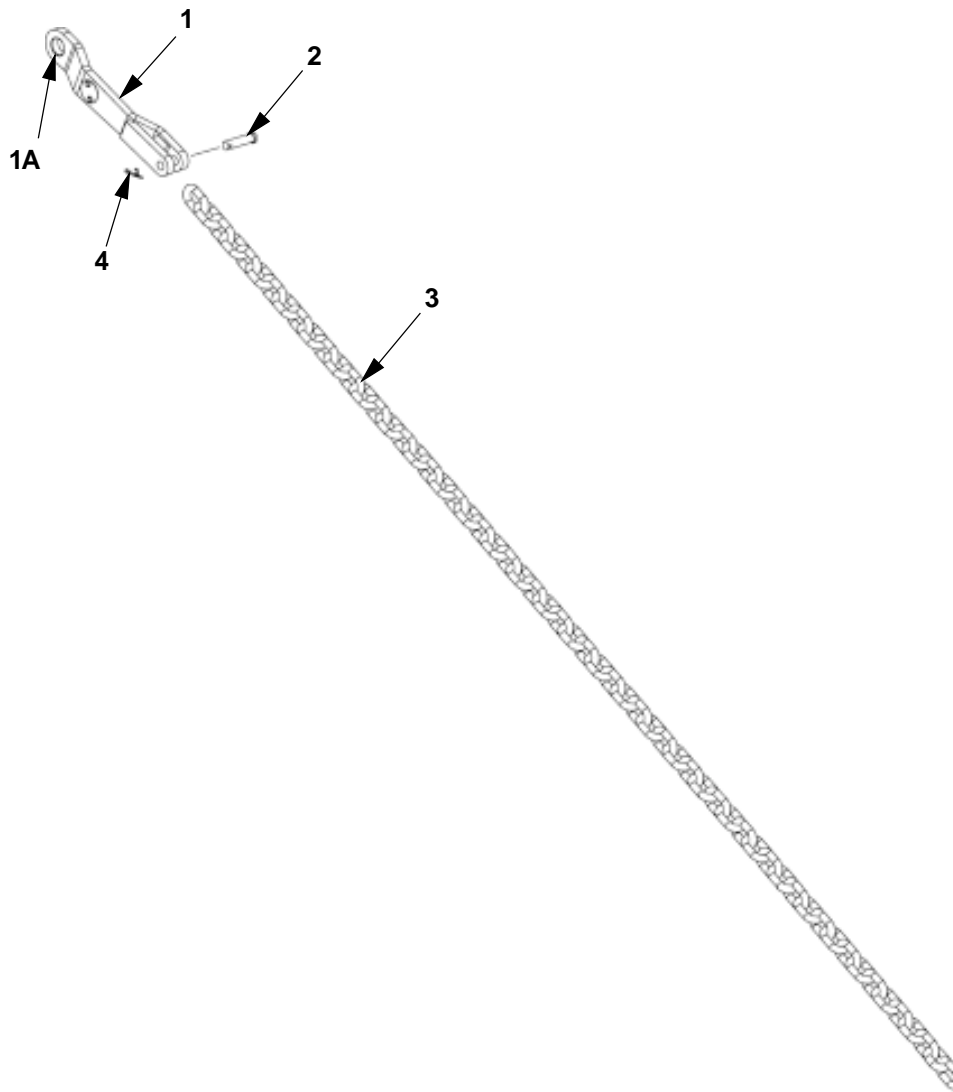


11921 Slauson Ave. Santa Fe Springs, CA. 90670 (800) 227-4116 FAX (888) 771-7713

ITEM	QTY.	DESCRIPTION	* 42" + 42"	* 42" + 30"	* 36" + 36"	* 36" + 24"	* 30" + 30"
REF	1	CHAIN ASSEMBLY LH	280065-05	280065-09		280065-07	280065-01
1	1	TEAR DROP ASSY. LH	280505-01				
1A	1	BEARING, SELF-LUBE	260078				
2	1	CLEVIS PIN	905136-01				
3	1	CHAIN	253606-11	253606-28	253606-27	253606-02	
4	1	COTTER PIN	030177				

* PLATFORM + FLIPOVER DEPTH

RH CHAIN ASSEMBLY (FOR STEEL PLATFORM)

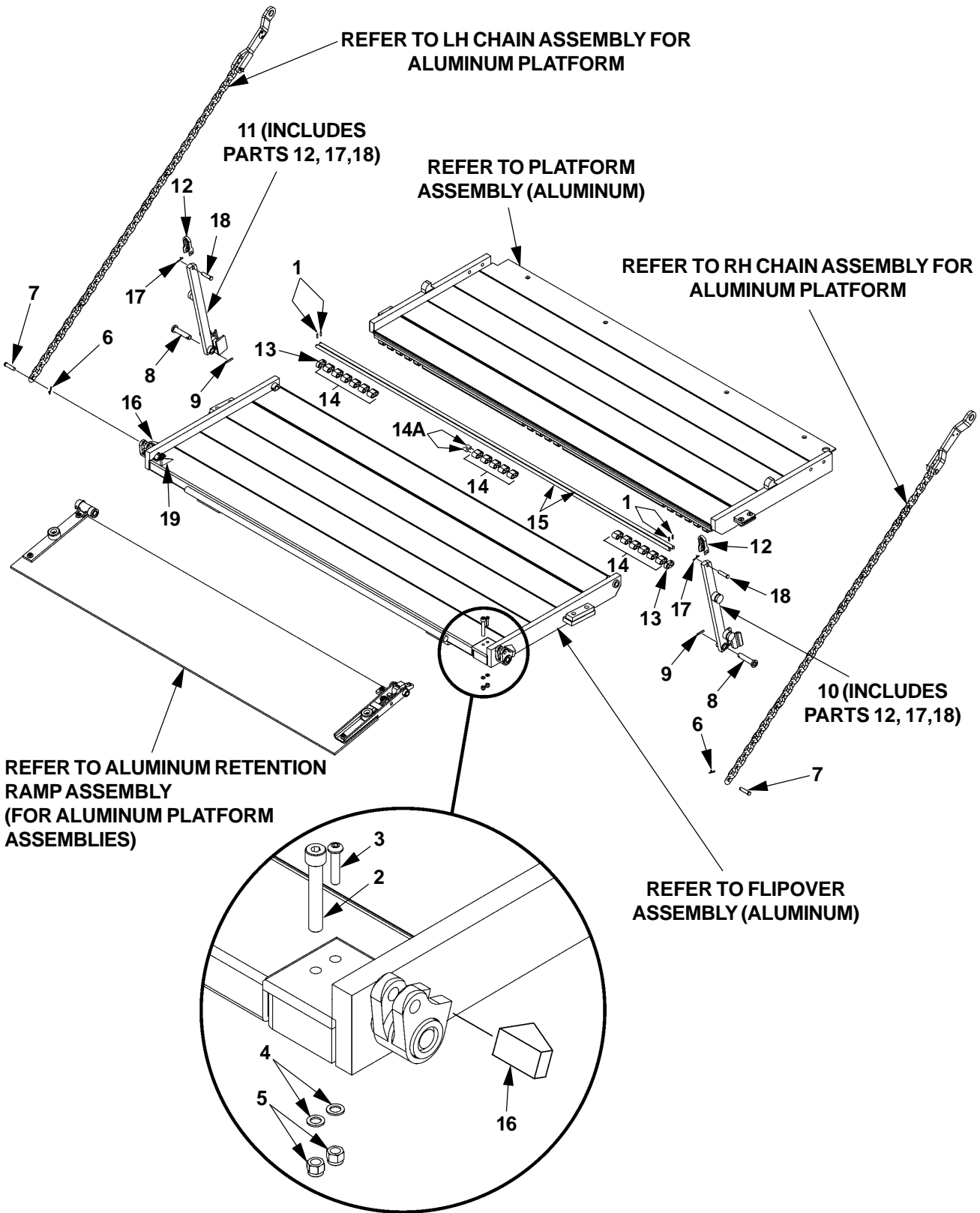


ITEM	QTY.	DESCRIPTION	* 42" + 42"	* 42" + 30"	* 36" + 36"	* 36" + 24"	* 30" + 30"	
REF	1	CHAIN ASSEMBLY RH	280065-06	280065-10		280065-08	280065-02	
1	1	TEAR DROP ASSY. RH	280505-02					
1A	1	BEARING, SELF-LUBE	260078					
2	1	CLEVIS PIN	905136-01					
3	1	CHAIN	253606-11	253606-28	253606-27	253606-02		
4	1	COTTER PIN	030177					

* PLATFORM + FLIPOVER DEPTH

MAXON® 11921 Slauson Ave. Santa Fe Springs, CA. 90670 (800) 227-4116 FAX (888) 771-7713

PLATFORM, FLIPOVER, AND CHAIN ASSEMBLY (ALUMINUM)



11921 Slauson Ave. Santa Fe Springs, CA. 90670 (800) 227-4116 FAX (888) 771-7713

PLATFORM, FLIPOVER, AND CHAIN ASSEMBLY (ALUMINUM)

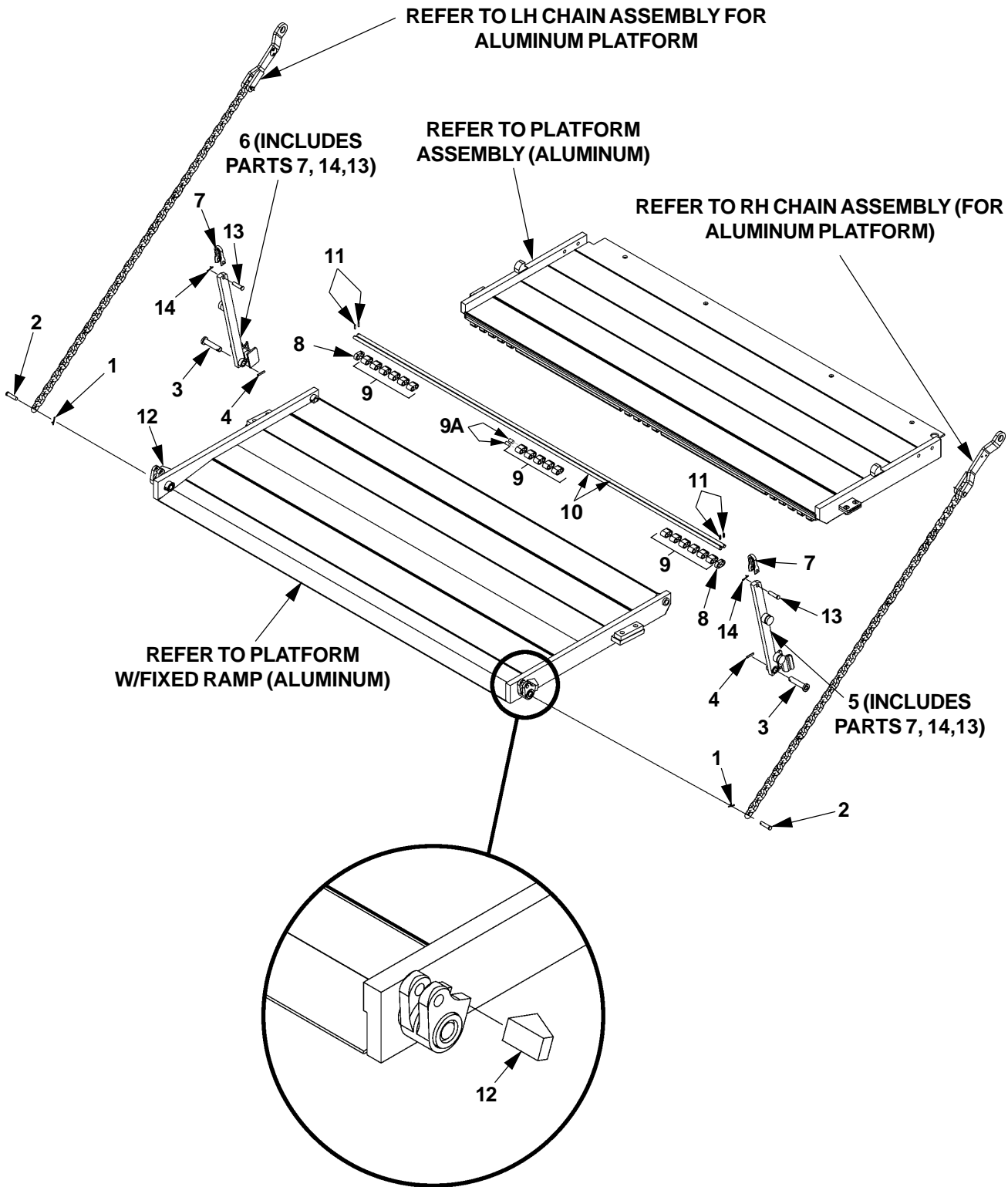
ITEM	QTY.	PART NO.	DESCRIPTION
1	4	905015-1	ROLL PIN
2	1	900065-06	SOCKET HEAD SCREW, 1/2"-20 x 3"
3	1	900064-06	BUTTON HEAD SCREW, 5/16"-18 x 1-1/2"
4	2	902000-10	FLAT WASHER, 3/8"
5	2	901002	NYLON LOCK NUT
6	2	030177	COTTER PIN
7	2	905136-01	CLEVIS PIN
8	2	280195	PIN WELDMENT
9	2	905033-1	ROLL PIN
10	1	280030-02	OPENER ASSEMBLY RH, 30" + 30" *
		280030-04	OPENER ASSEMBLY RH, 36" + 36" *
		280030-06	OPENER ASSEMBLY RH, 42" + 42" *
		280030-08	OPENER ASSEMBLY RH, 36" + 24" *
		280030-10	OPENER ASSEMBLY RH, 42" + 30" *
11	1	280030-01	OPENER ASSEMBLY LH, 30" + 30" *
		280030-03	OPENER ASSEMBLY LH, 36" + 36" *
		280030-05	OPENER ASSEMBLY LH, 42" + 42" *
		280030-07	OPENER ASSEMBLY LH, 36" + 24" *
		280030-09	OPENER ASSEMBLY LH, 42" + 30" *
12	2	280644-01	ANCHOR SHACKLE
13	2	280110	HINGE ASSEMBLY
14	17	280109	HINGE ASSEMBLY
14A	2	908003-07	BEARING
15	2	263456-10	HINGE ROD, 79-3/4" LG (96" WIDE PLATFORM)
		263456-11	HINGE ROD, 85-3/4" LG (102" WIDE PLATFORM)
16	2	280209	STOP BLOCK
17	2	030805	COTTER PIN
18	2	905136-02	CLEVIS PIN
19	1	280877-01	GUSSET

* PLATFORM + FLIPOVER DEPTH

MAXON® 11921 Slauson Ave. Santa Fe Springs, CA. 90670 (800) 227-4116 FAX (888) 771-7713

PLATFORM & CHAIN ASSY W/FIXED RAMP (ALUMINUM)

11921 Slauson Ave. Santa Fe Springs, CA. 90670 (800) 227-4116 FAX (888) 771-7713



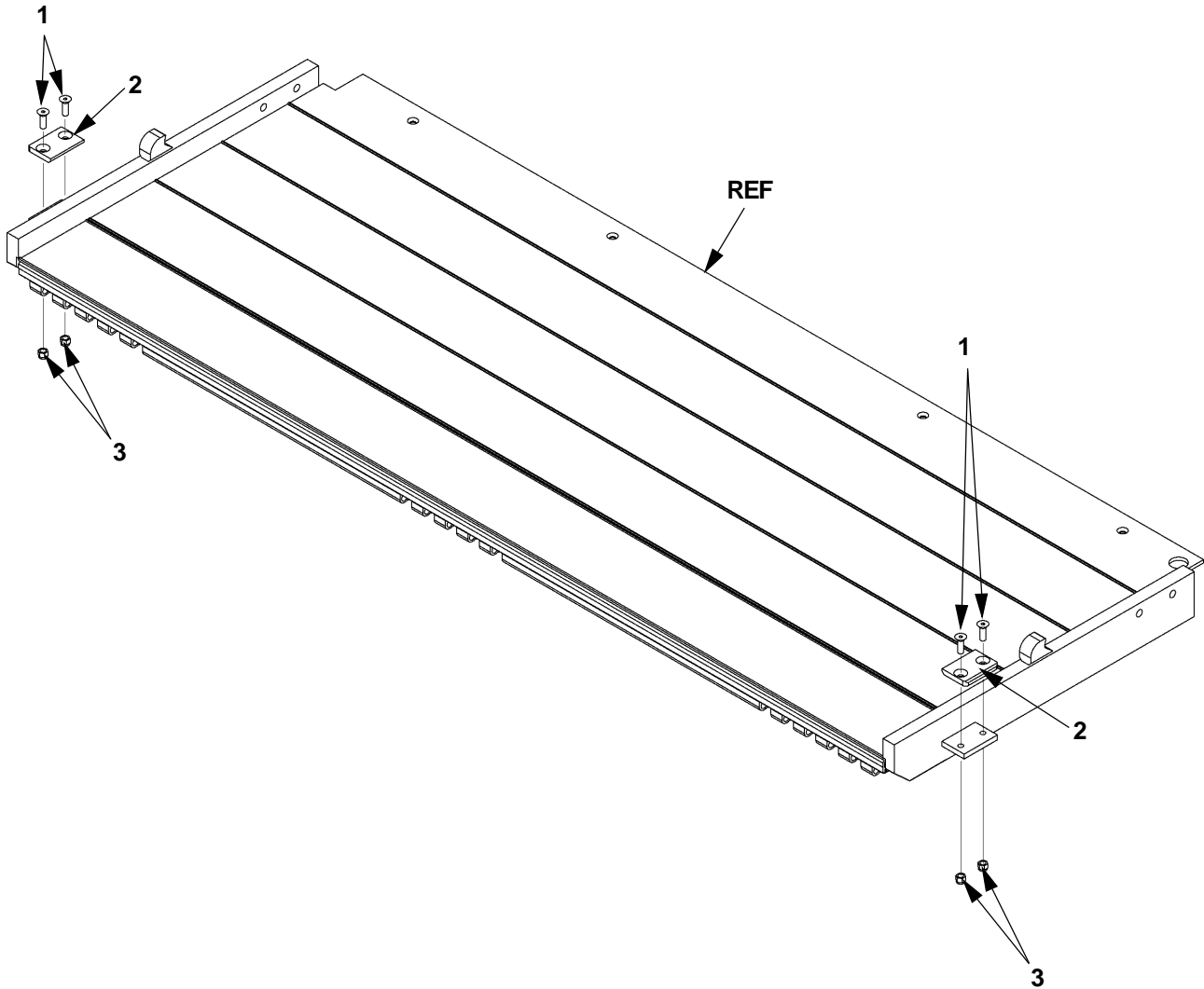
PLATFORM & CHAIN ASSY W/FIXED RAMP (ALUMINUM)

ITEM	QTY.	PART NO.	DESCRIPTION
1	2	030177	COTTER PIN
2	2	905136-01	CLEVIS PIN
3	2	280195	PIN WELDMENT
4	2	905033-1	ROLL PIN
5	1	280030-02	OPENER ASSEMBLY RH 30" + 30" *
		280030-04	OPENER ASSEMBLY RH 36" + 36" *
		280030-06	OPENER ASSEMBLY RH 42" + 42" *
		280030-08	OPENER ASSEMBLY RH 36" + 24" *
		280030-10	OPENER ASSEMBLY RH 42" + 30" *
6	1	280030-01	OPENER ASSEMBLY LH 30" + 30" *
		280030-03	OPENER ASSEMBLY LH 36" + 36" *
		280030-05	OPENER ASSEMBLY LH 42" + 42" *
		280030-07	OPENER ASSEMBLY LH 36" + 24" *
		280030-09	OPENER ASSEMBLY LH 42" + 30" *
7	2	280644-01	ANCHOR SHACKLE
8	2	280110	HINGE ASSEMBLY
9	17	280109	HINGE ASSEMBLY
9A	2	908003-07	BEARING
10	2	263456-10	HINGE ROD, 79-3/4" LG. (96" WIDE PLATFORM)
		263456-11	HINGE ROD, 85-3/4" LG. (102" WIDE PLATFORM)
11	4	905015-1	ROLL PIN
12	2	280209	STOP BLOCK
13	2	905136-02	CLEVIS PIN
14	2	030805	COTTER PIN

* PLATFORM + FLIPOVER DEPTH

MAXON® 11921 Slauson Ave. Santa Fe Springs, CA. 90670 (800) 227-4116 FAX (888) 771-7713

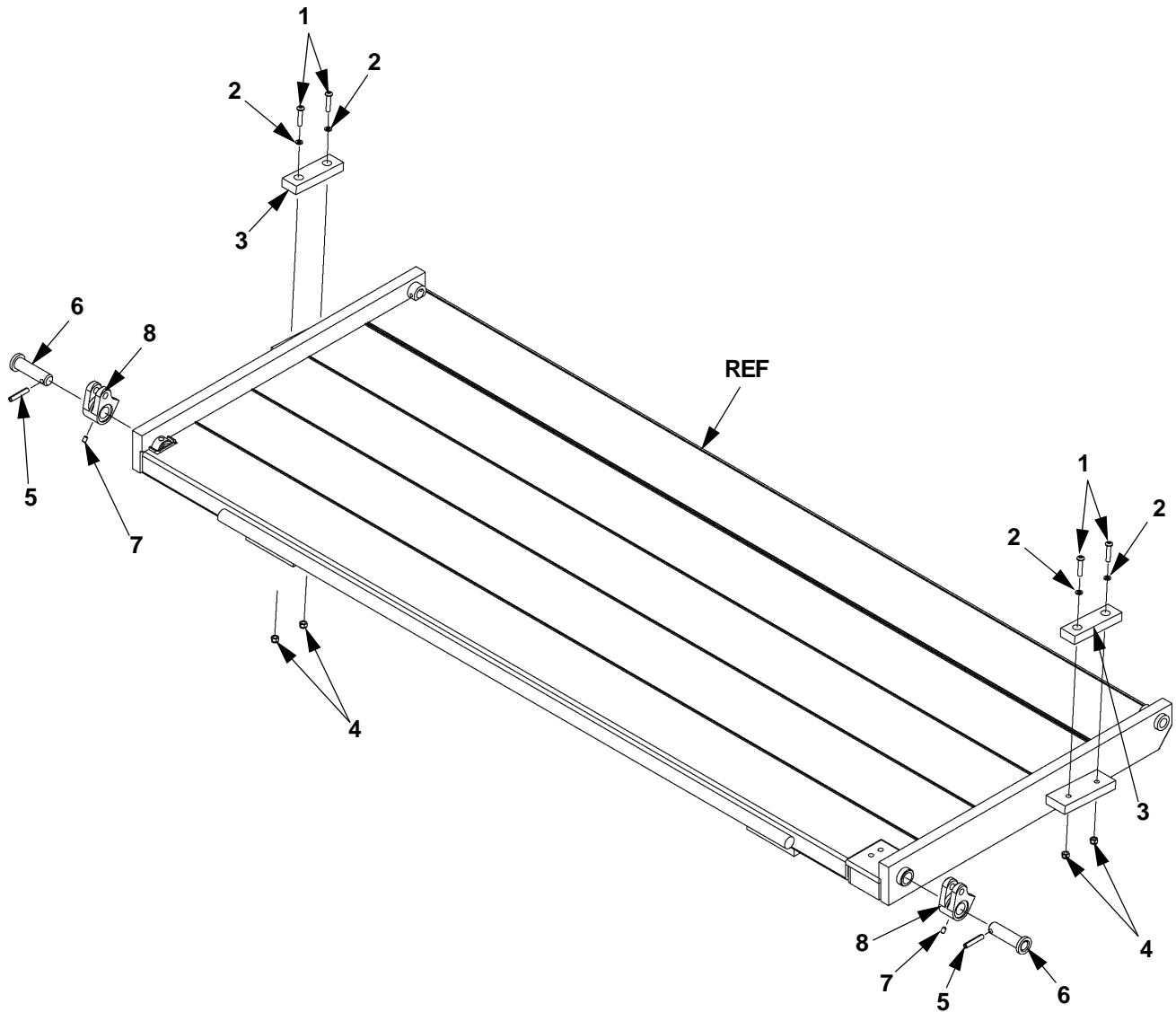
PLATFORM ASSEMBLY (ALUMINUM)



11921 Slauson Ave. Santa Fe Springs, CA. 90670 (800) 227-4116 FAX (888) 771-7713

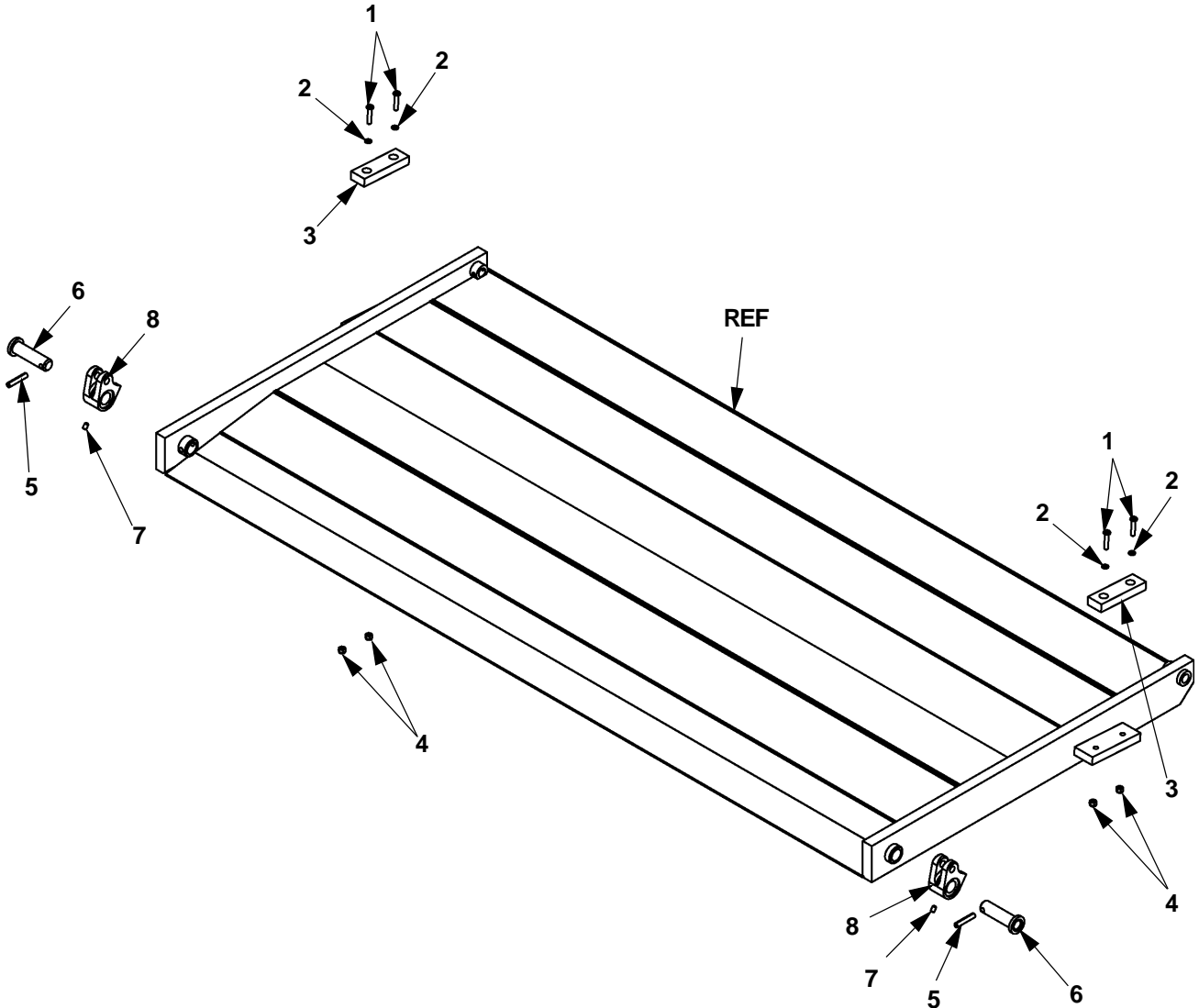
ITEM	QTY.	DESCRIPTION	30" DEEP	36" DEEP	42" DEEP
REF	1	PLATFORM, 96" WIDE VEHICLE	280871-01	280871-03	280871-05
		PLATFORM, 102" WIDE VEHICLE	280871-02	280871-04	280871-06
1	4	FLAT HEAD SCREW, 3/8"-16 x 1-1/4" LG.	900040-5		
2	2	BRACKET	280027		
3	4	NYLON LOCK NUT, 3/8"-16	901002		

PLATFORM FLIPOVER (ALUMINUM - NO RAMP)



ITEM	QTY.	DESCRIPTION	30" DEEP	36" DEEP	42" DEEP
REF	1	FLIPOVER, 96" WIDE VEHICLE	280873-01	280873-03	280873-05
		FLIPOVER, 102" WIDE VEHICLE	280873-02	280873-04	280873-06
1	4	BUTTON SCREW, 5/16-18 x 1-1/2" LG.	900001-5		
2	4	WASHER, 5/16"	902013-10		
3	2	BUMPER	225278-02		
4	4	NYLON LOCK NUT, 5/16"-18	901001		
5	2	ROLL PIN	221416		
6	2	PIN WELDMENT	280127		
7	2	SET SCREW, 5/16-18 x 1/2" LG.	903006-3		
8	2	CHAIN HOLDER	280021		

PLATFORM FLIPOVER W/FIXED RAMP (ALUMINUM)



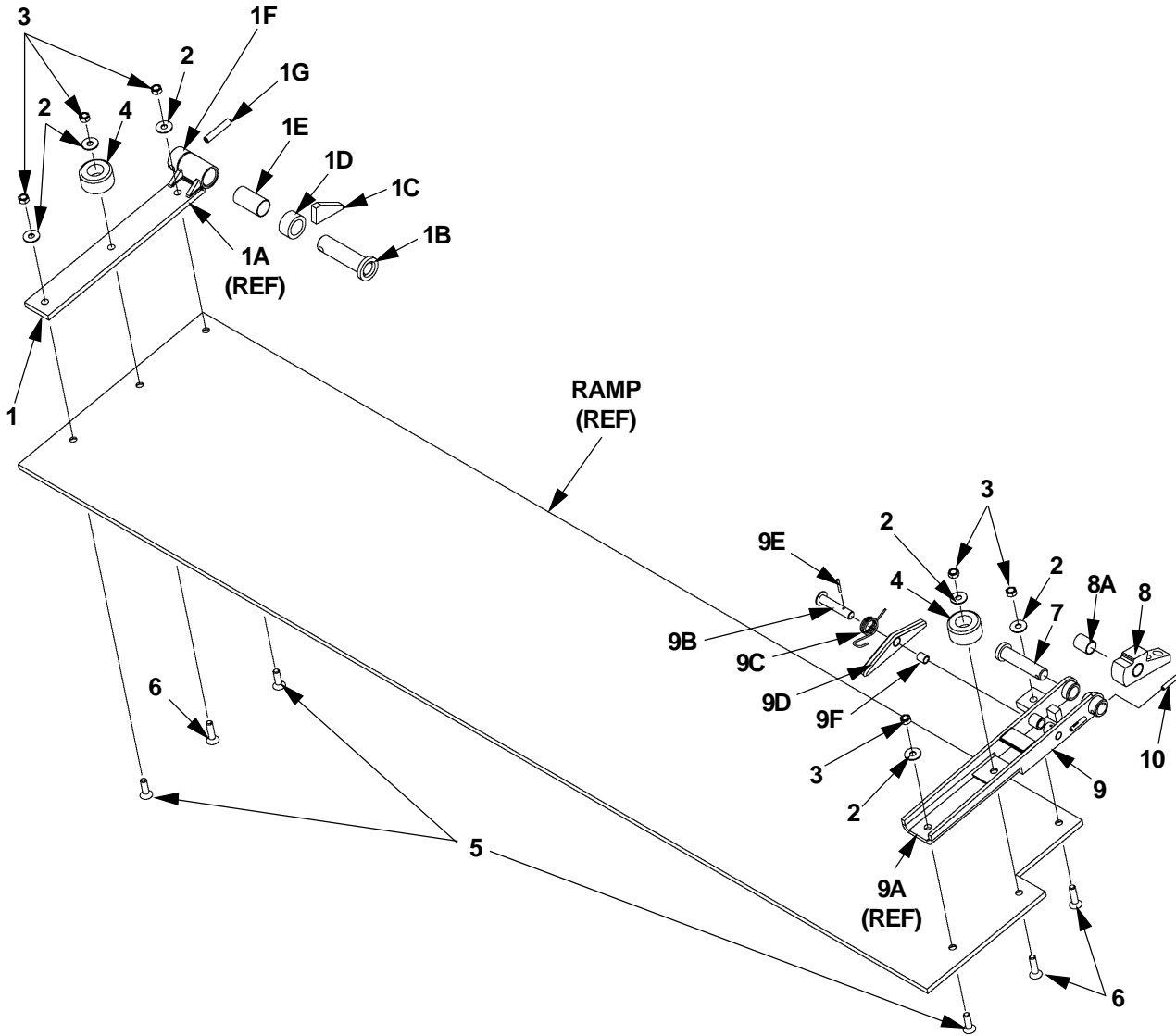
11921 Slauson Ave. Santa Fe Springs, CA. 90670 (800) 227-4116 FAX (888) 771-7713

ITEM	QTY.	DESCRIPTION	24" DEEP	30" DEEP
REF	1	FLIPOVER, 96" WIDE VEHICLE	280875-01	280875-03
		FLIPOVER, 102" WIDE VEHICLE	280875-02	280875-04
1	4	BUTTON HEADSCREW, 5/16-18 x 1-1/2"	900001-5	
2	4	WASHER, 5/16"	902013-10	
3	2	BUMPER	225278-02	
4	4	NYLON LOCK NUT, 5/16"-18	901001	
5	2	ROLL PIN	221416	
6	2	PIN WELDMENT	280127	
7	2	SET SCREW, 5/16-18 x 1/2" LG.	903006-3	
8	2	CHAIN HOLDER	280021	

THIS PAGE INTENTIONALLY LEFT BLANK

ALUMINUM RETENTION RAMP ASSEMBLY (USE WITH ALUMINUM PLATFORM)

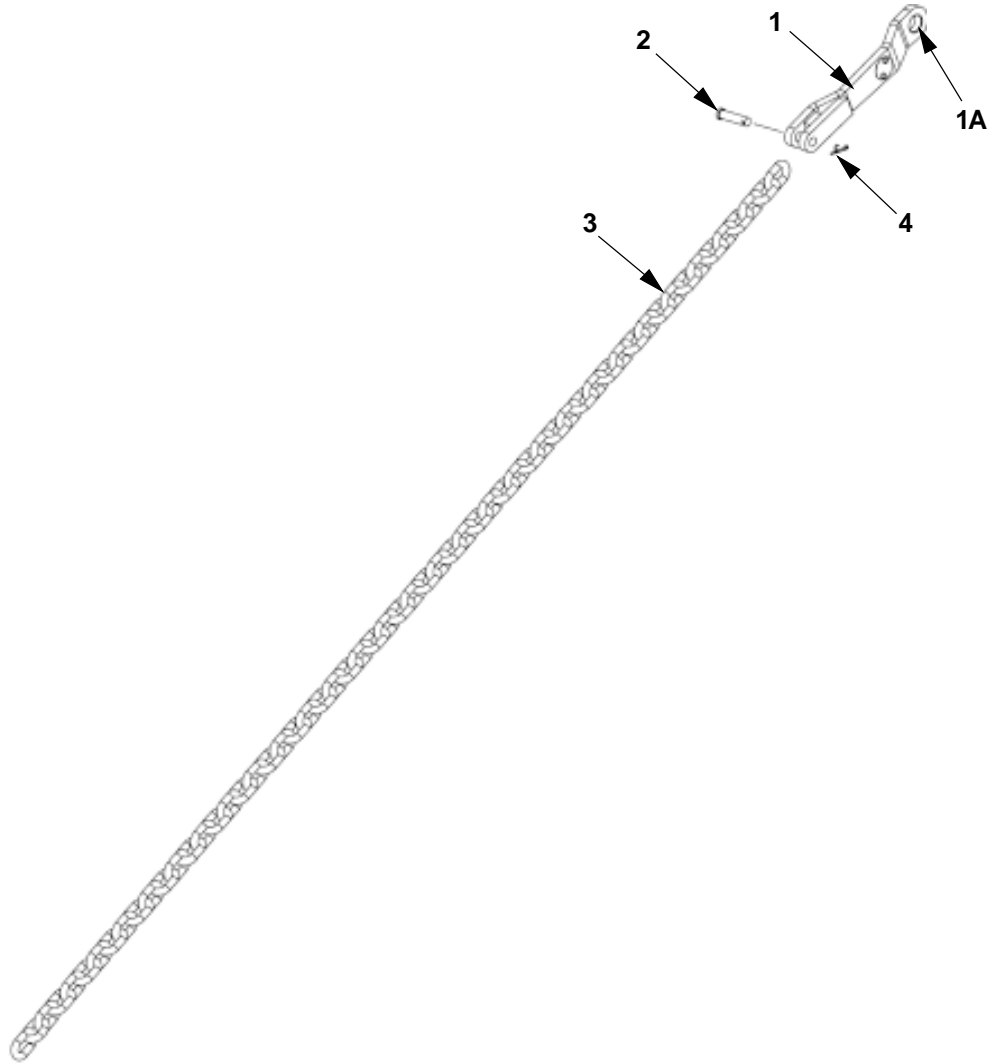
11921 Slauson Ave. Santa Fe Springs, CA. 90670 (800) 227-4116 FAX (888) 771-7713



ALUMINUM RETENTION RAMP ASSEMBLY (USE WITH ALUMINUM PLATFORM)

ITEM	QTY.	PART NO.	DESCRIPTION
REF	1	264697-06	ALUMINUM RAMP (96" WIDE PLATFORM)
		264697-07	ALUMINUM RAMP (102" WIDE PLATFORM)
1	1	263463	HINGE ASSEMBLY LH
1A	1	REF	HINGE ARM WELDMENT
1B	1	253528	PIN WELDMENT
1C	1	263467	GUSSET
1D	1	091884-10	ROUND TUBE, ALUMINUM, 3/4" LG.
1E	1	253541	BEARING, SELF LUBE
1F	1	263466	PIN COLLAR
1G	1	221416	ROLL PIN, 3/8" x 2" LG.
2	6	902001-2	LOCK WASHER, 3/8"
3	6	030955	LOCK NUT, 3/8"-16
4	2	253516	RUBBER BUMPER
5	3	900040-5	SOCKET FLAT HD SCREW, 3/8-16 X 1-1/4" LG.
6	3	900040-6	SOCKET FLAT HD SCREW, 3/8-16 X 1-1/2" LG.
7	1	264586	PIN WELDMENT, 3/4" LG.
8	1	264639	LOCKING CAM
8A	1	260917-06	BEARING, SELF LUBE
9	1	264572	HINGE ASSEMBLY RH
9A	1	REF	HINGE WELDMENT, RH
9B	1	264577	PIN WELDMENT, 1/2" LG.
9C	1	264638	TORSION SPRING, LH
9D	1	264547	LOCKING ARM ASSY
9E	1	030406	ROLL PIN, 1/8" x 1" LG.
9F	1	253542	BEARING, SELF LUBE
10	1	905033-2	ROLL PIN, 1/4" x 1-1/4" LG.

L.H. CHAIN ASSEMBLY (FOR ALUMINUM PLATFORM)

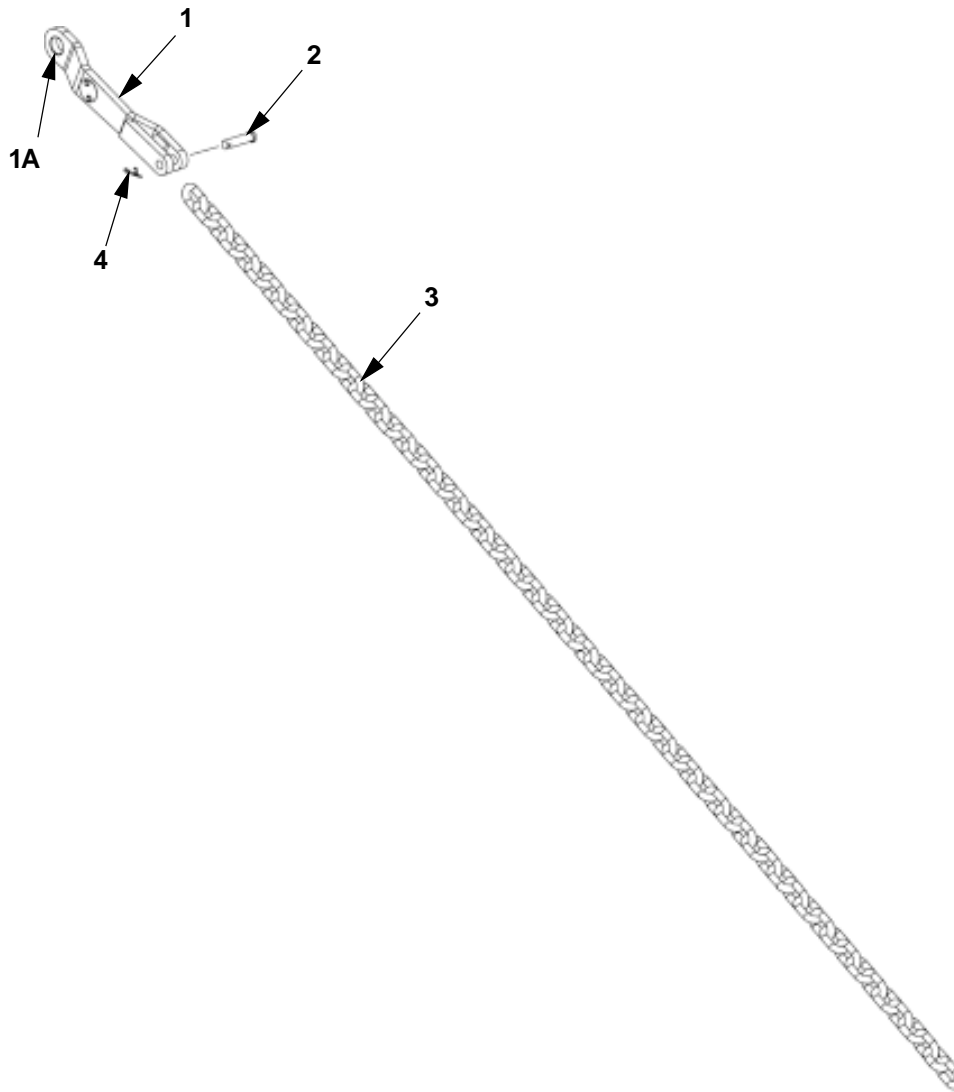


11921 Slauson Ave. Santa Fe Springs, CA. 90670 (800) 227-4116 FAX (888) 771-7713

ITEM	QTY.	DESCRIPTION	* 30" + 30"	* 36" + 36"	* 42" + 42"	* 42" + 30" FIXED RAMP	* 36" + 24" FIXED RAMP	
REF	1	CHAIN ASSEMBLY LH	280065-01	280065-03	280065-05		280065-09	
1	1	TEAR DROP ASSY. LH	280505-01					
1A	1	BEARING, SELF-LUBE	260078					
2	1	CLEVIS PIN	905136-01					
3	1	CHAIN	253606-02	253606-01	253606-11		253606-28	
4	1	COTTER PIN	030177					

* PLATFORM + FLIPOVER DEPTH

R.H. CHAIN ASSEMBLY (FOR ALUMINUM PLATFORM)



ITEM	QTY.	DESCRIPTION	* 30" + 30"	* 36" + 36"	* 42" + 42"	* 42" + 30" FIXED RAMP	* 36" + 24" FIXED RAMP	
REF	REF	CHAIN ASSEMBLY RH	280065-02	280065-04	280065-06		280065-10	
1	1	TEAR DROP ASSY. RH	280505-02					
1A	1	BEARING, SELF-LUBE	260078					
2	1	CLEVIS PIN	905136-01					
3	1	CHAIN	253606-02	253606-01	253606-11		253606-28	
4	1	COTTER PIN	030177					

* PLATFORM + FLIPOVER DEPTH

THIS PAGE INTENTIONALLY LEFT BLANK

11921 Slauson Ave. Santa Fe Springs, CA. 90670 (800) 227-4116 FAX (888) 771-7713

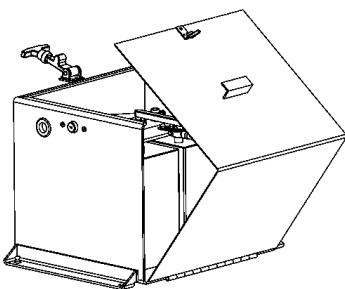
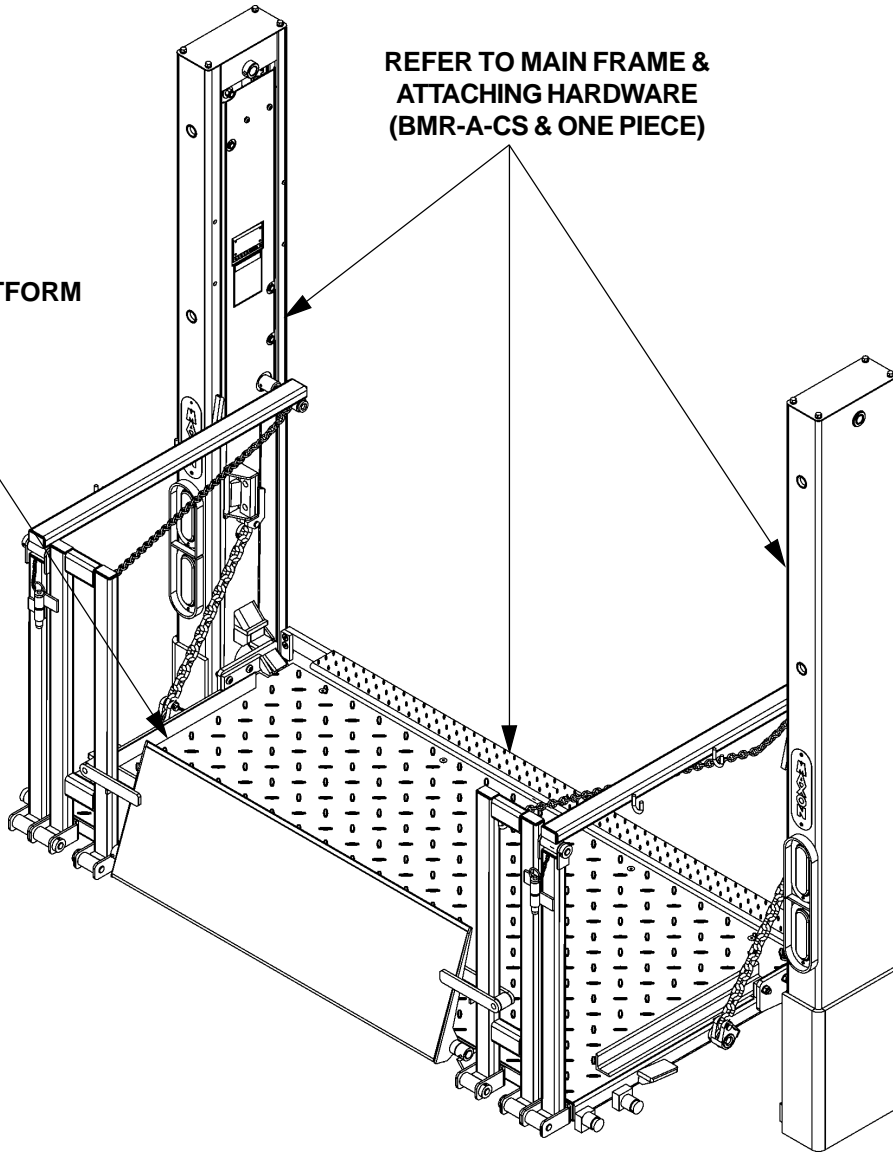
BMR-A-CS & ONE PIECE LIFTGATE SECTION

BMR-A-CS LIFTGATE

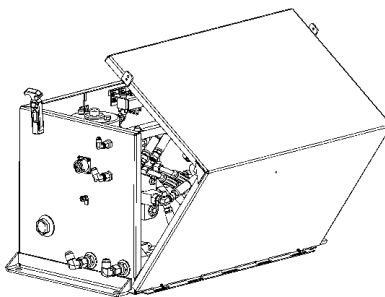
11921 Slauson Ave. Santa Fe Springs, CA. 90670 (800) 227-4116 FAX (888) 771-7713

REFER TO CS PLATFORM ASSEMBLY

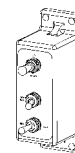
REFER TO MAIN FRAME & ATTACHING HARDWARE (BMR-A-CS & ONE PIECE)



BATTERY BOX
(REFER TO ELECTRICAL COMPONENTS)

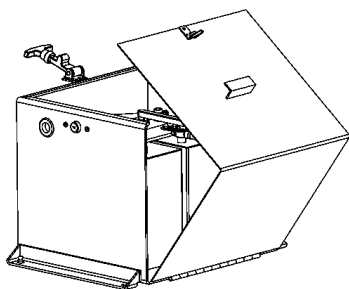
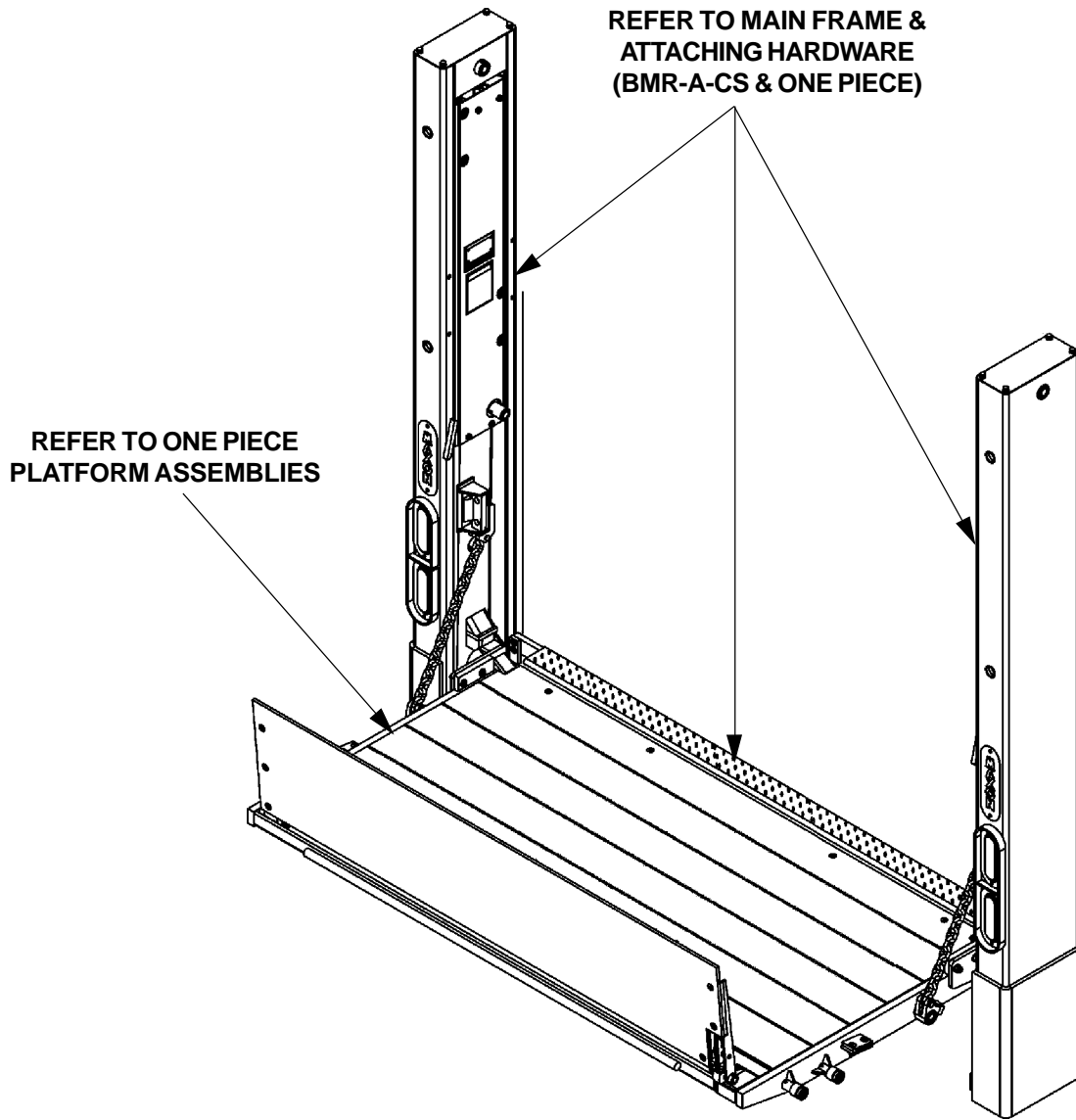


PUMP BOX
(REFER TO HYDRAULIC COMPONENTS)

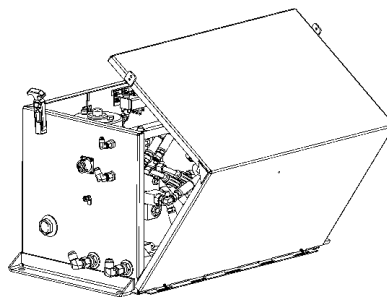


CONTROL SWITCH
(REFER TO ELECTRICAL COMPONENTS)

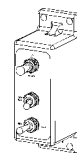
BMR-A-ONE PIECE LIFTGATE



BATTERY BOX
(REFER TO ELECTRICAL COMPONENTS)

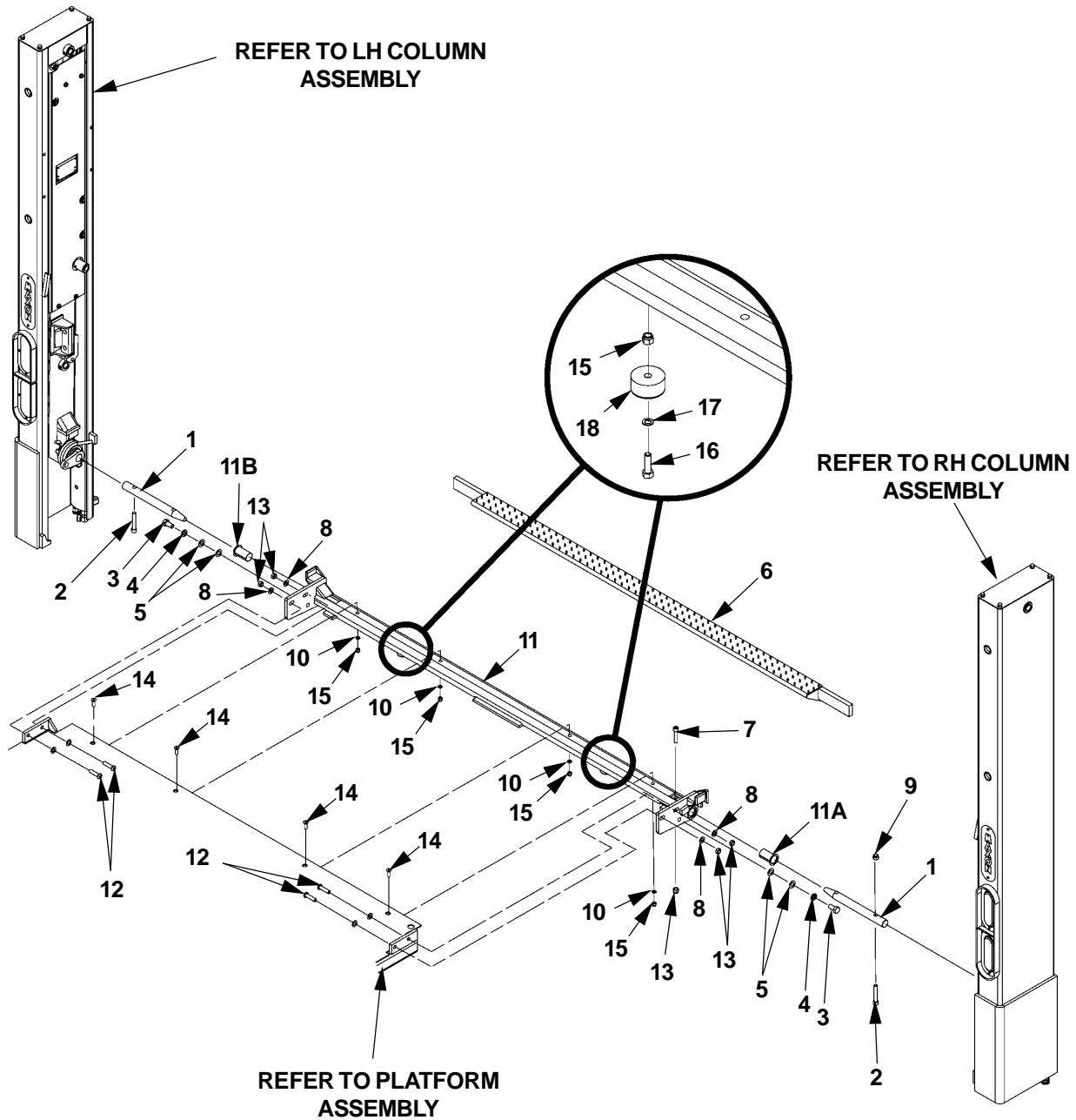


PUMP BOX
(REFER TO HYDRAULIC COMPONENTS)



CONTROL SWITCH
(REFER TO ELECTRICAL COMPONENTS)

MAIN FRAME & ATTACHING HARDWARE (BMR-A-CS & ONE PIECE PLATFORM)



11921 Slauson Ave. Santa Fe Springs, CA. 90670 (800) 227-4116 FAX (888) 771-7713

MAIN FRAME & ATTACHING HARDWARE (BMR-A-CS & ONE PIECE PLATFORM)

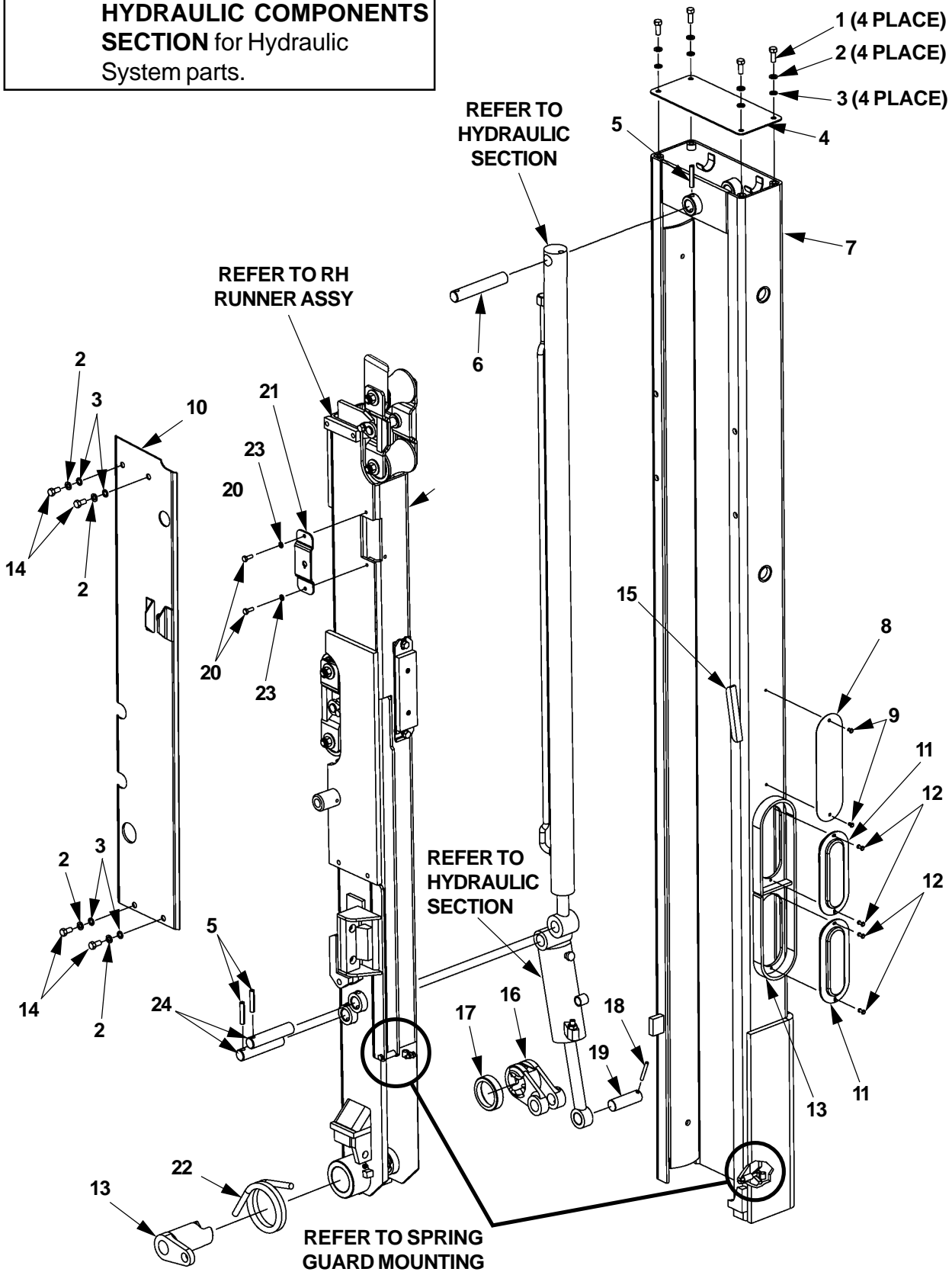
ITEM	QTY.	PART NO.	DESCRIPTION
1	2	280103	PIN, 13" LG. STAINLESS STEEL
2	2	900037-11	SOCKET HEAD SCREW, GRADE 8, 1/2"-20 x 3" LG.
3	2	900055-1	HEX HEAD SCREW, 5/8"-11 x 1-1/4" LG.
4	2	902011-8	LOCK WASHER, 5/8"
5	4	902000-18	FLAT WASHER, 5/8"
6	1	280340-01	ONE PIECE EXTENSION PLATE (96" WIDE)
		280340-02	ONE PIECE EXTENSION PLATE (102" WIDE)
		280340-03	BMR-CS EXTENSION PLATE (96" WIDE)
		280340-04	BMR-CS EXTENSION PLATE (102" WIDE)
7	1	900036-10	SOCKET HEAD SCREW, GRADE 8, 1/2"-13 x 2-1/4" LG.
8	4	902013-13	FLAT WASHER, 1/2"
9	1	901008	NYLON LOCK NUT, 1/2"-20
10	4	902001-2	FLAT WASHER, 3/8"
11	1	280090-01	CONNECTOR BAR ASSEMBLY, 96" WIDE
	1	280090-02	CONNECTOR BAR ASSEMBLY, 102" WIDE
11A	2	905200	BEARING, SELF LUBE
12	4	900068-04	BUTTON HEAD SCREW, 1/2"-13 x 1-3/4" LG. (STEEL PLATFORM ONLY)
		900068-05	BUTTON HEAD SCREW, 1/2"-13 x 2" LG. (ALUMINUM PLATFORM ONLY)
13	5	040066	NYLON LOCK NUT, 1/2"-13
14	4	900040-5	SOCKET HEAD SCREW, 3/8"-16 x 1-1/4" LG.
15	6	901002	NYLON LOCK NUT, 3/8"-16
16	2	900014-5	HEX HEAD BOLT, 3/8"-16 X 1-1/4" LG.
17	2	902000-10	FLAT WASHER, 3/8"
18	2	253516	RUBBER BUMPER

MAXON[®] 11921 Slauson Ave. Santa Fe Springs, CA. 90670 (800) 227-4116 FAX (888) 771-7713

RH COLUMN ASSEMBLY (BMR-A-CS & ONE PIECE)

NOTE: Most Hydraulic Components not shown for clarity. Refer to **HYDRAULIC COMPONENTS SECTION** for Hydraulic System parts.

11921 Slauson Ave. Santa Fe Springs, CA. 90670 (800) 227-4116 FAX (888) 771-7713

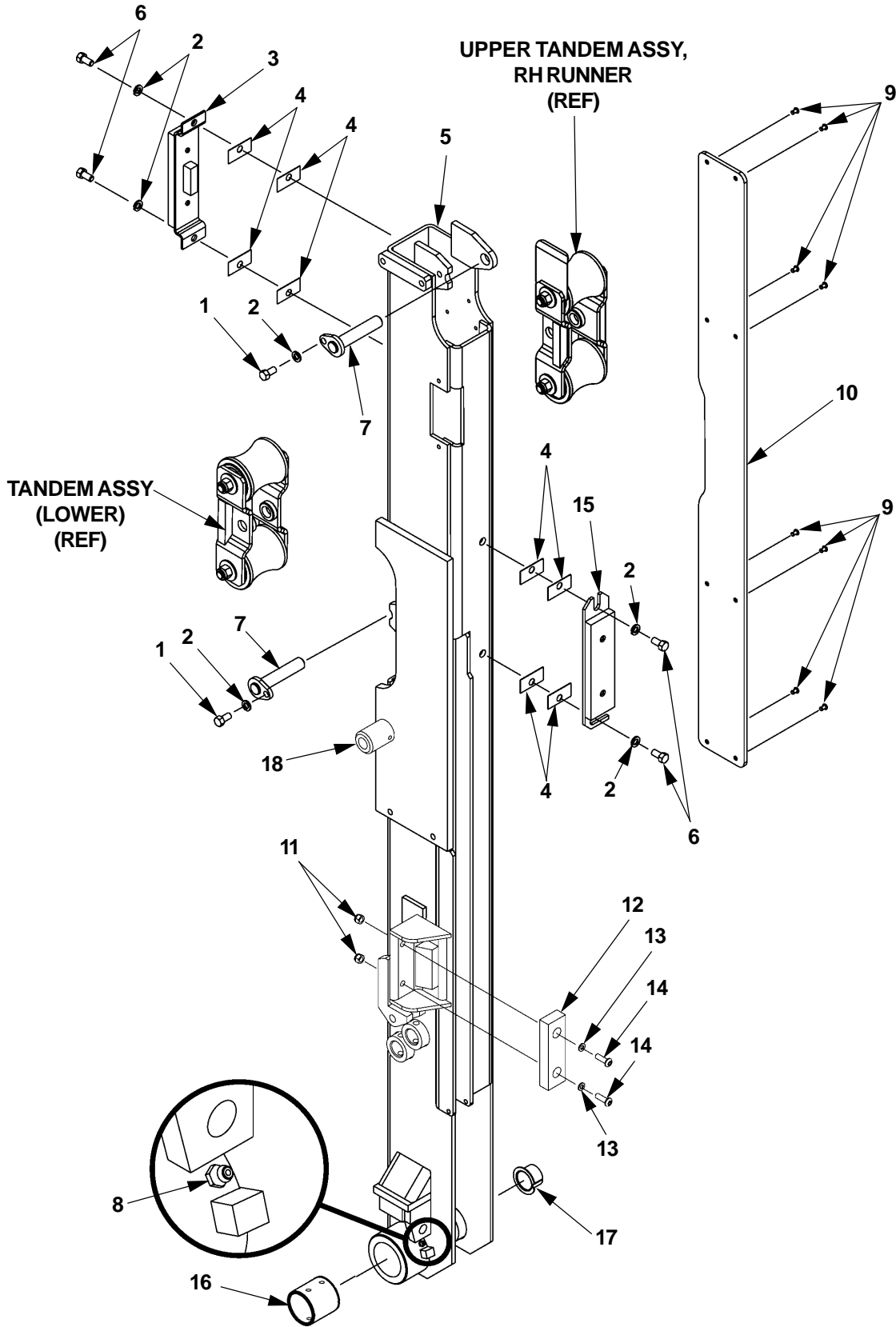


RH COLUMN ASSEMBLY (BMR-A-CS & ONE PIECE)

ITEM	QTY.	PART NO.	DESCRIPTION
REF	1	280690-01	RH COLUMN ASSEMBLY
1	4	900014-4	HEX HEAD BOLT, 3/8"-16 x 1" LG.
2	8	902011-4	LOCK WASHER, 3/8"
3	8	902000-10	FLAT WASHER, 3/8"
4	1	263114	COLUMN TOP COVER
5	3	221416	ROLL PIN
6	1	263457	PIN, 5-7/8" LG.
7	1	280695-01	RH COLUMN
8	1	260478	MAXON PLATE
9	2	207644	POP RIVET, 3/16" x .40" LG.
10	1	280698-01	COLUMN SIDE COVER
11	2	265924-01	LIGHT, STOP/TAIL/TURN LED
12	4	904005-2	BLIND RIVET
13	1	260516-01	COUPLING OUTSIDE ASSEMBLY
14	4	900064-02	BUTTON HD SCREW, 3/8"-16 x 5/8" LG.
15	1	280018	LOCKING FLAT
16	1	260517	COUPLING INSIDE ASSEMBLY
17	1	253695	BUSHING, 3/4"
18	1	905033-5	ROLL PIN
19	1	253772	PIN, 3-3/32" LG.
20	2	900000-1	HEX HEAD BOLT, 1/4"-20 x 5/8" LG.
21	1	253694	SWITCH PLATE
22	1	260179	TORSION SPRING
23	2	902011-2	LOCK WASHER, 1/4"
24	2	253590	PIN, 4-3/4" LG.

MAXON[®] 11921 Slauson Ave. Santa Fe Springs, CA. 90670 (800) 227-4116 FAX (888) 771-7713

RH RUNNER ASSEMBLY (BMR-A-CS & ONE PIECE)



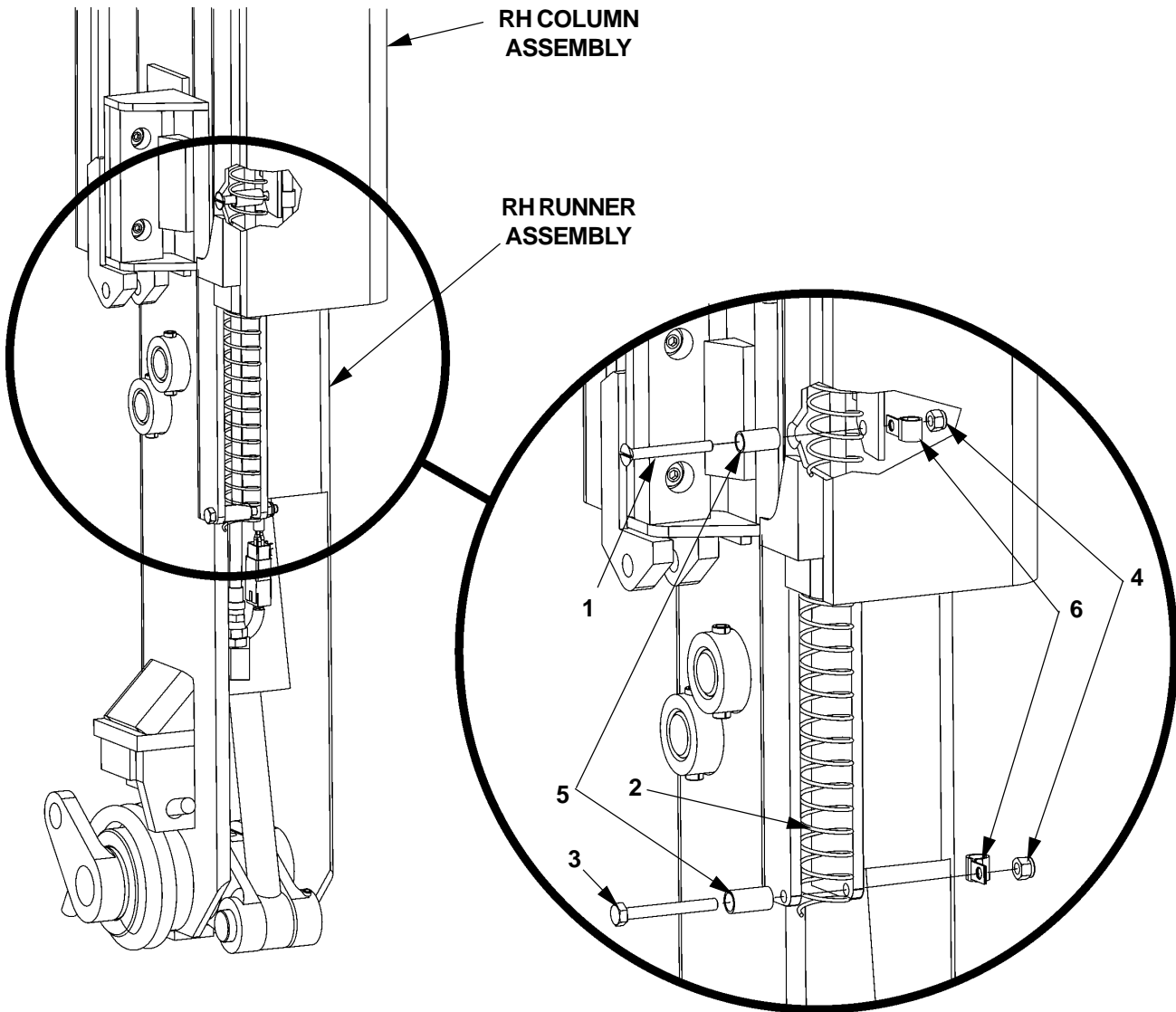
11921 Slauson Ave. Santa Fe Springs, CA. 90670 (800) 227-4116 FAX (888) 771-7713

RH RUNNER ASSEMBLY (BMR-A-CS & ONE PIECE)

ITEM	QTY.	PART NO.	DESCRIPTION
REF	1	280710-01	RH RUNNER ASSEMBLY
1	2	900014-3	HEX HEAD BOLT, 3/8"-16 x 3/4" LG.
2	6	902011-4	LOCK WASHER, 3/8"
3	1	263221	UPPER PAD SUPPORT ASSEMBLY
4	A/R	263030	SPACER
5	1	280708-01	RH RUNNER
6	4	900014-12	HEX HEAD BOLT, 3/8"-16 x 5/8" LG.
7	2	280067	ARM WELDMENT
8	1	224342	GREASE FITTING 1/4"
9	8	207644	POP RIVET, 3/16" x .40" LG.
10	1	253543	PAD
11	2	901001	NYLON LOCK NUT, 5/16"-18
12	1	225278-02	BUMPER
13	2	902013-01	FLAT WASHER, 5/16"
14	2	900001-4	BUTTON HEAD SCREW, 5/16"-18 x 1-1/4" LG.
15	1	263225	LOWER PAD SUPPORT ASSEMBLY
16	1	908011-01	BEARING, SELF LUBE
17	1	253595	BEARING, SELF LUBE
18	1	280309	BUSHING

NOTE: A/R means As Required.

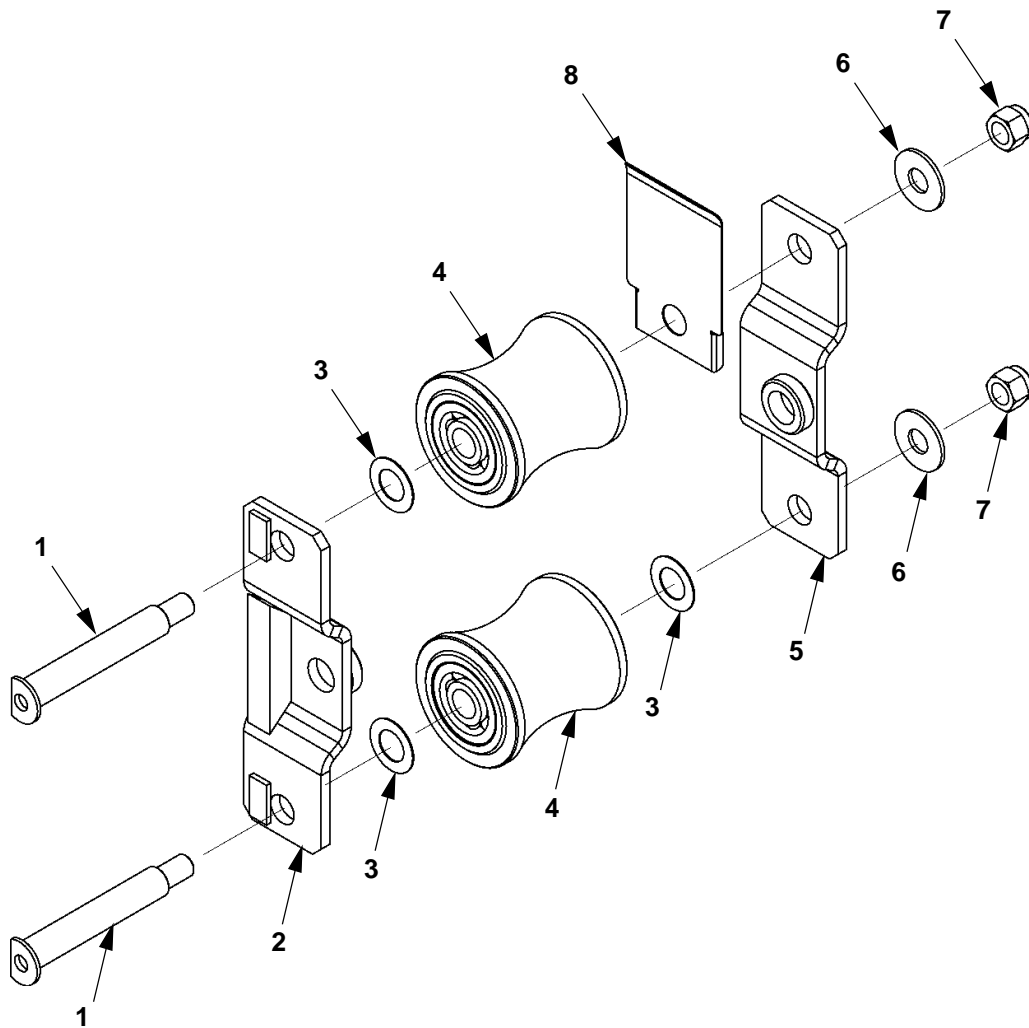
SPRING GUARD MOUNTING



11921 Slauson Ave. Santa Fe Springs, CA. 90670 (800) 227-4116 FAX (888) 771-7713

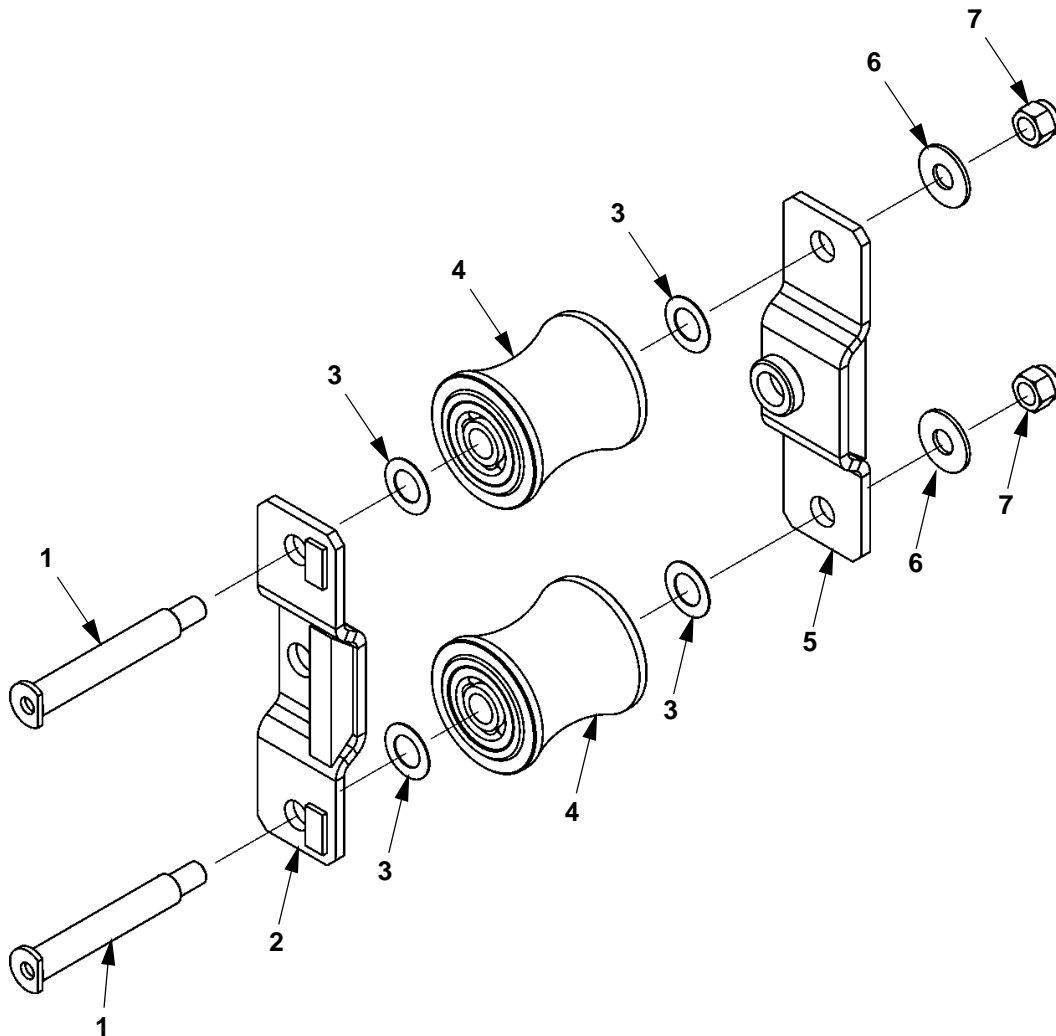
ITEM	QTY.	PART NO.	DESCRIPTION
1	1	260299	FLAT HEAD SCREW, 1/4"-20 x 2-1/2" LG.
2	1	253603-01	SPRING GUARD
3	1	900000-9	HEX HEAD BOLT, GR 8, 1/4"-20 x 2-1/4" LG.
4	2	901000	NYLON LOCK NUT
5	2	253621	ROUND TUBE 1/2"DIA. x 15/16" LG.
6	2	224006	CLAMP, #6 RUBBER LOOM

UPPER TANDEM ASSEMBLY, RH RUNNER



ITEM	QTY.	PART NO.	DESCRIPTION
REF	1	280055-02	UPPER TANDEM ASSEMBLY, RH RUNNER
1	2	253509-01	ROLLER AXLE
2	1	280064	ROLLER BRACKET
3	3	261182	FLAT WASHER, 1-1/4"
4	2	253550-100	ROLLER
5	1	280063	ROLLER BRACKET
6	2	902014	FLAT WASHER, 1-3/8"
7	2	901008	NYLON LOCK NUT
8	1	280851-01	ROLLER COVER

TANDEM ASSEMBLY (LOWER)



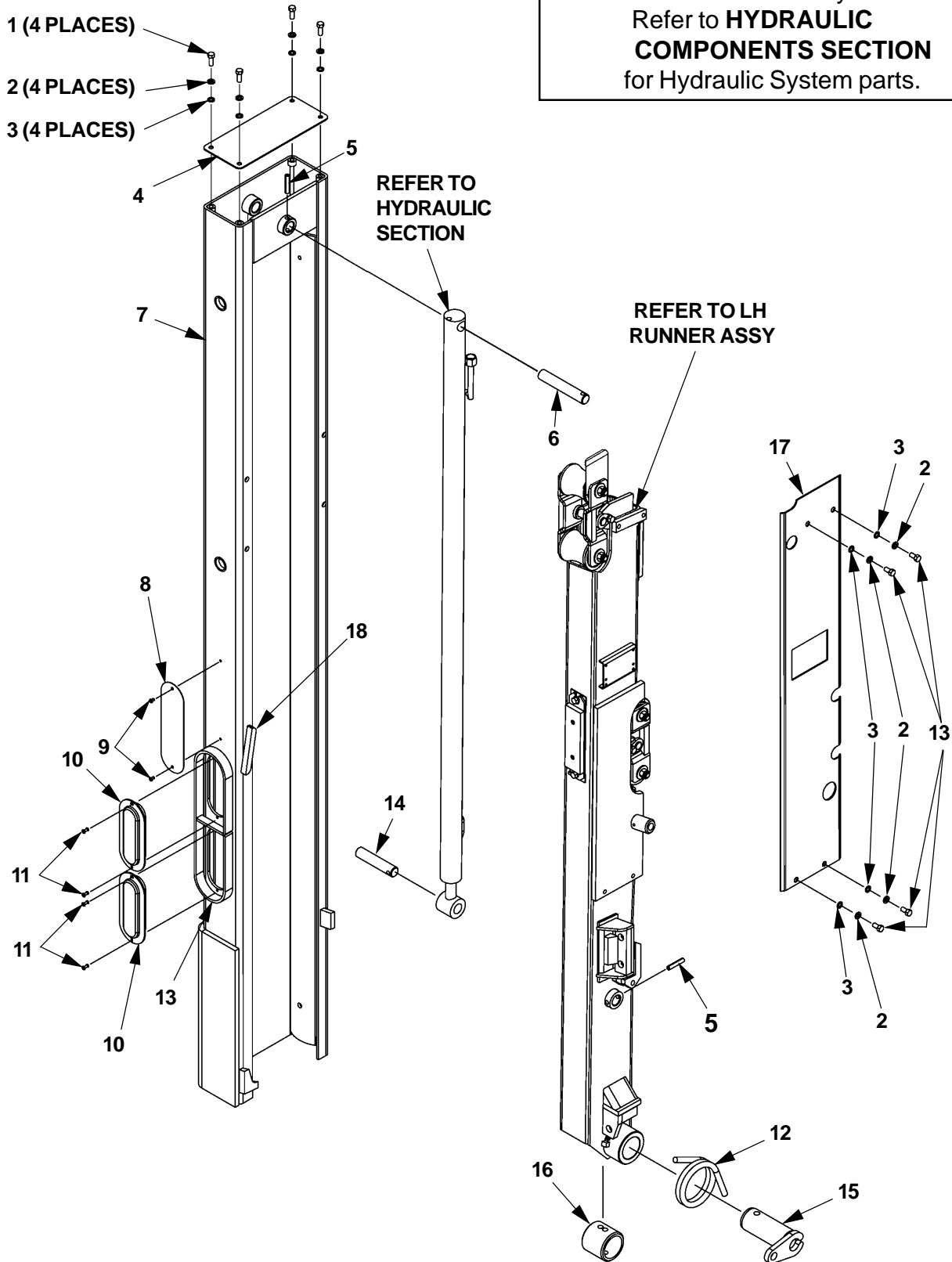
ITEM	QTY.	PART NO.	DESCRIPTION
REF	1	280055	LOWER TANDEM ASSEMBLY
1	2	253509-01	ROLLER AXLE
2	1	280064	ROLLER BRACKET
3	4	261182	FLAT WASHER, 1-1/4"
4	2	253550-100	ROLLER
5	1	280063	ROLLER BRACKET
6	2	902014	FLAT WASHER, 1-3/8"
7	2	901008	NYLON LOCK NUT

11921 Slauson Ave. Santa Fe Springs, CA. 90670 (800) 227-4116 FAX (888) 771-7713

THIS PAGE INTENTIONALLY LEFT BLANK

LH COLUMN ASSEMBLY (BMR-A-CS & ONE PIECE)

NOTE: Most Hydraulic Components not shown for clarity. Refer to **HYDRAULIC COMPONENTS SECTION** for Hydraulic System parts.



11921 Slauson Ave. Santa Fe Springs, CA. 90670 (800) 227-4116 FAX (888) 771-7713

LH COLUMN ASSEMBLY (BMR-A-CS & ONE PIECE)

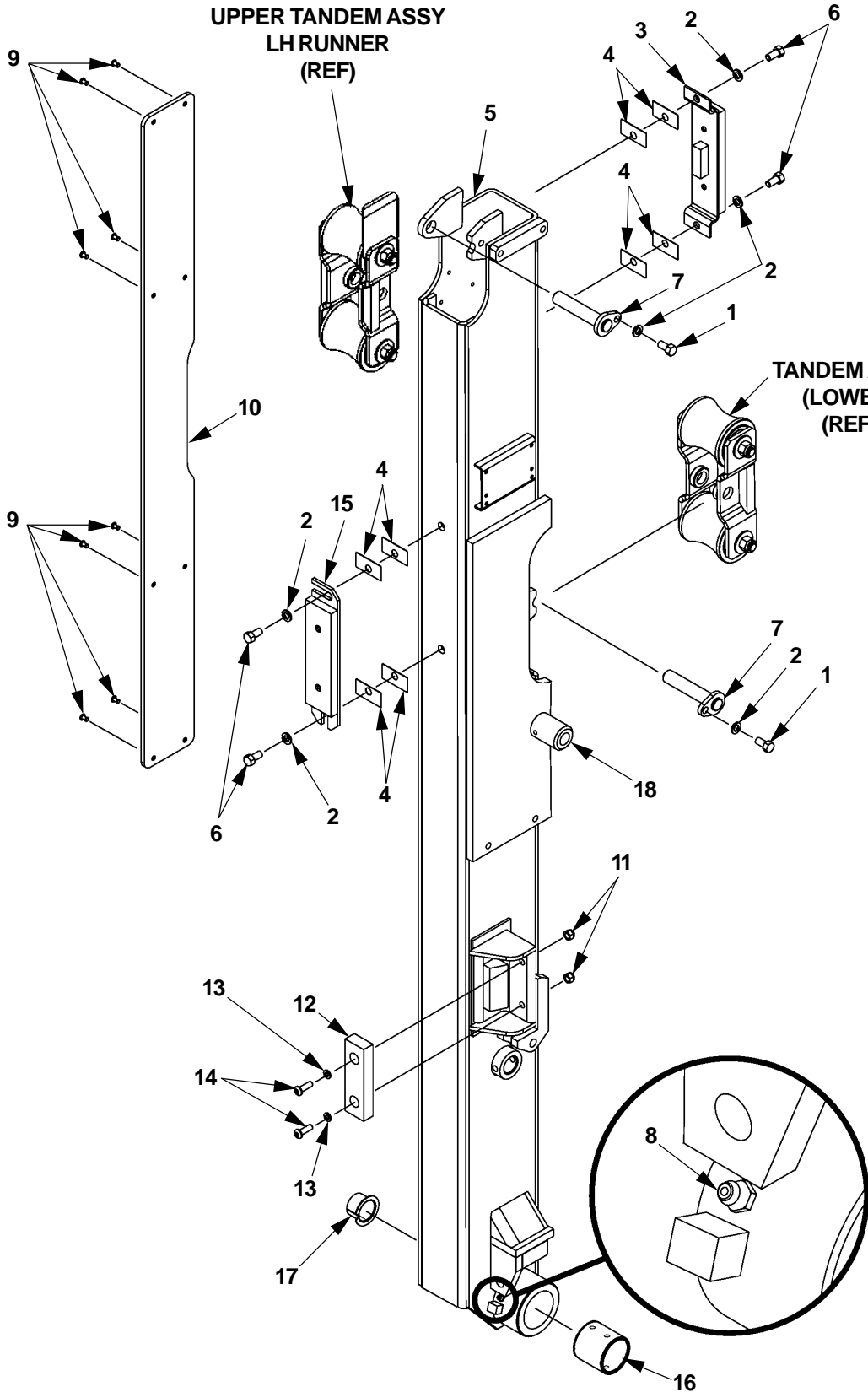
ITEM	QTY.	PART NO.	DESCRIPTION
REF	1	280689-01	LH COLUMN ASSEMBLY
1	4	900014-4	HEX HEAD BOLT, 3/8"-16 x 1" LG.
2	8	902011-4	LOCK WASHER, 3/8"
3	8	902000-10	FLAT WASHER, 3/8"
4	1	263114	COLUMN TOP COVER
5	2	221416	ROLL PIN
6	1	263457	PIN, 5-7/8" LG.
7	1	280694-01	LH COLUMN
8	1	260478	MAXON PLATE
9	2	207644	POP RIVET, 3/16" x .40" LG.
10	2	265924-01	LIGHT, STOP/TAIL/TURN LED
11	4	904005-2	BLIND RIVET
12	1	280620-01	TORSION SPRING
13	4	900064-02	BUTTON HD SCREW, 3/8"-16 x 5/8" LG.
14	1	253590	PIN, 4-3/4" LG.
15	1	280623-01	COUPLING OUTSIDE ASSEMBLY
16	1	253696	PIN COLLAR, 2-3/4"
17	1	280696-01	COLUMN COVER, LH
18	1	280018	LOCKING FLAT

MAXON® 11921 Slauson Ave. Santa Fe Springs, CA. 90670 (800) 227-4116 FAX (888) 771-7713

LH RUNNER ASSEMBLY (BMR-A-CS & ONE PIECE)

UPPER TANDEM ASSY
LH RUNNER
(REF)

TANDEM ASSY
(LOWER)
(REF)



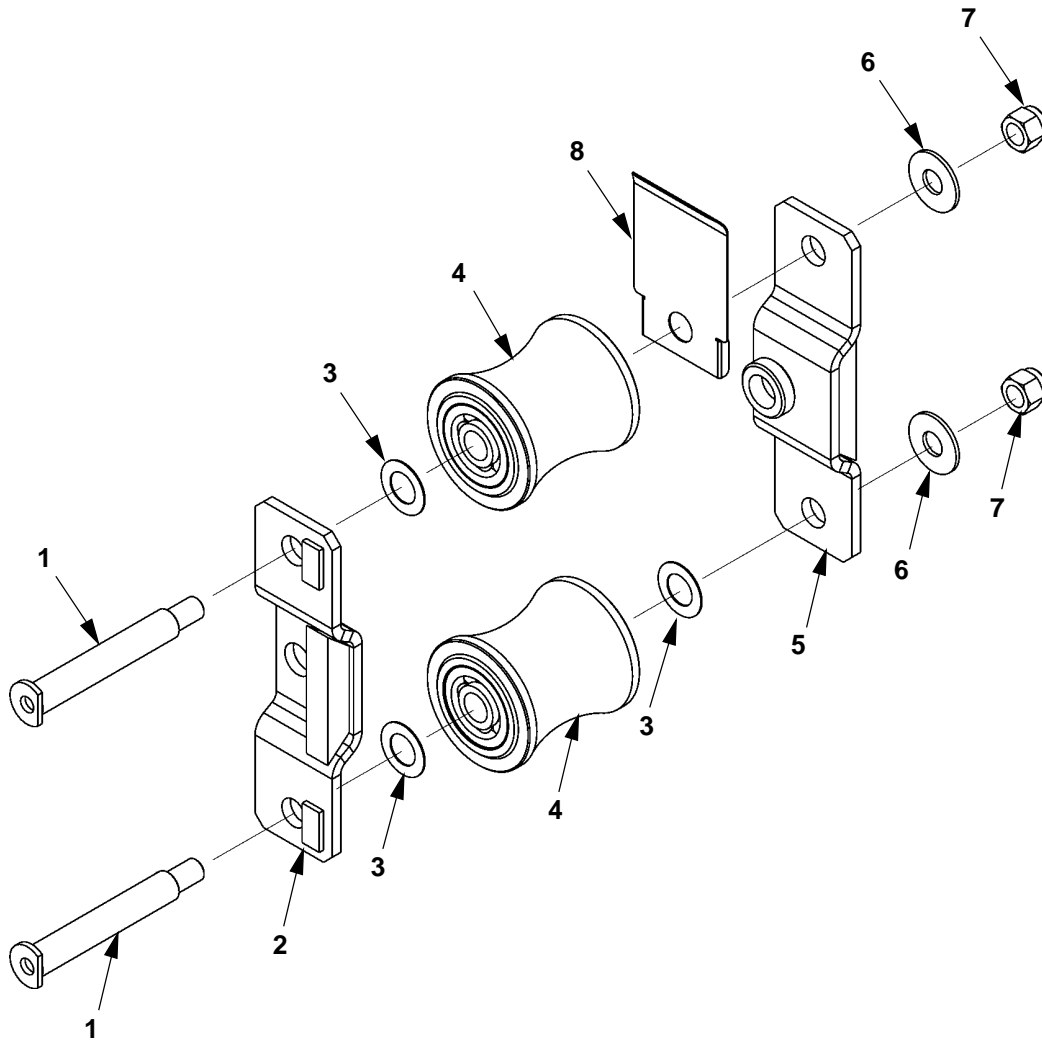
11921 Slauson Ave. Santa Fe Springs, CA. 90670 (800) 227-4116 FAX (888) 771-7713

LH RUNNER ASSEMBLY (BMR-A-CS & ONE PIECE)

ITEM	QTY.	PART NO.	DESCRIPTION
REF	1	280709-01	LH RUNNER ASSEMBLY
1	2	900014-3	HEX HEAD BOLT, 3/8"-16 x 3/4" LG.
2	6	902011-4	LOCK WASHER, 3/8"
3	1	263221	UPPER PAD SUPPORT ASSEMBLY
4	A/R	263030	SPACER
5	1	280707-01	LH RUNNER
6	4	900014-12	HEX HEAD BOLT, 3/8"-16 x 5/8" LG.
7	2	280067	ARM WELDMENT
8	1	224342	GREASE FITTING 1/4"
9	8	207644	POP RIVET, 3/16" x .40" LG.
10	1	253543	PAD
11	2	901001	NYLON LOCK NUT, 5/16"-18
12	1	225278-02	BUMPER
13	2	902013-10	FLAT WASHER, 5/16"
14	2	900001-3	BUTTON HEAD SCREW, 5/16"-18 x 1-1/4" LG.
15	1	263225	LOWER PAD SUPPORT ASSEMBLY
16	1	908011-01	BEARING, SELF LUBE
17	1	253595	BEARING, SELF LUBE
18	1	280309	BUSHING

NOTE: A/R means As Required.

UPPER TANDEM ASSEMBLY, LH RUNNER



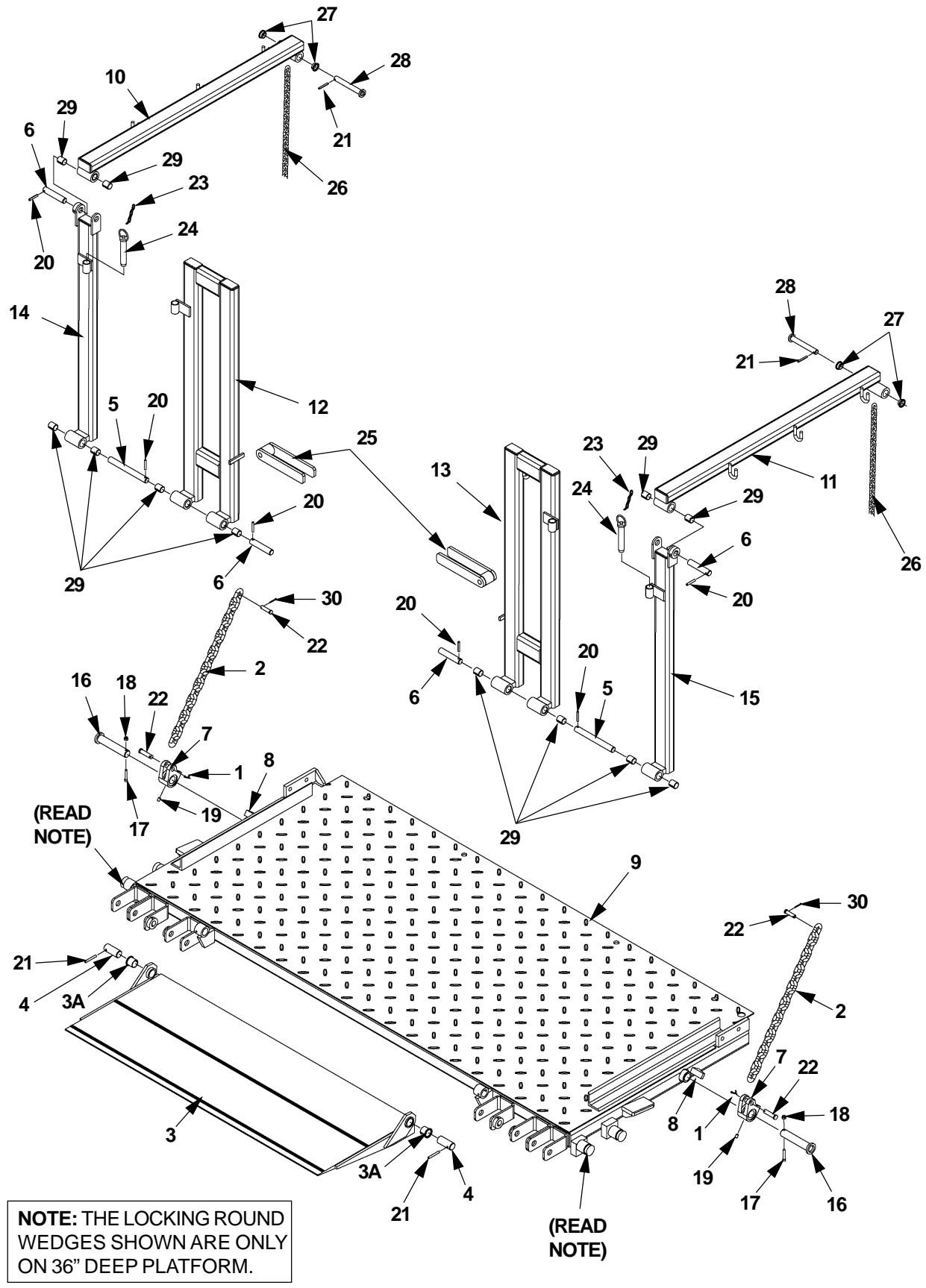
ITEM	QTY.	PART NO.	DESCRIPTION
REF	1	280055-01	UPPER TANDEM ASSEMBLY, LH RUNNER
1	2	253509-01	ROLLER AXLE
2	1	280064	ROLLER BRACKET
3	3	261182	FLAT WASHER, 1-1/4"
4	2	253550-100	ROLLER
5	1	280063	ROLLER BRACKET
6	2	902014	FLAT WASHER, 1-3/8"
7	2	901008	NYLON LOCK NUT
8	1	280851-01	ROLLER COVER

11921 Slauson Ave. Santa Fe Springs, CA. 90670 (800) 227-4116 FAX (888) 771-7713

THIS PAGE INTENTIONALLY LEFT BLANK

CS PLATFORM ASSEMBLY (STEEL)

11921 Slauson Ave. Santa Fe Springs, CA. 90670 (800) 227-4116 FAX (888) 771-7713

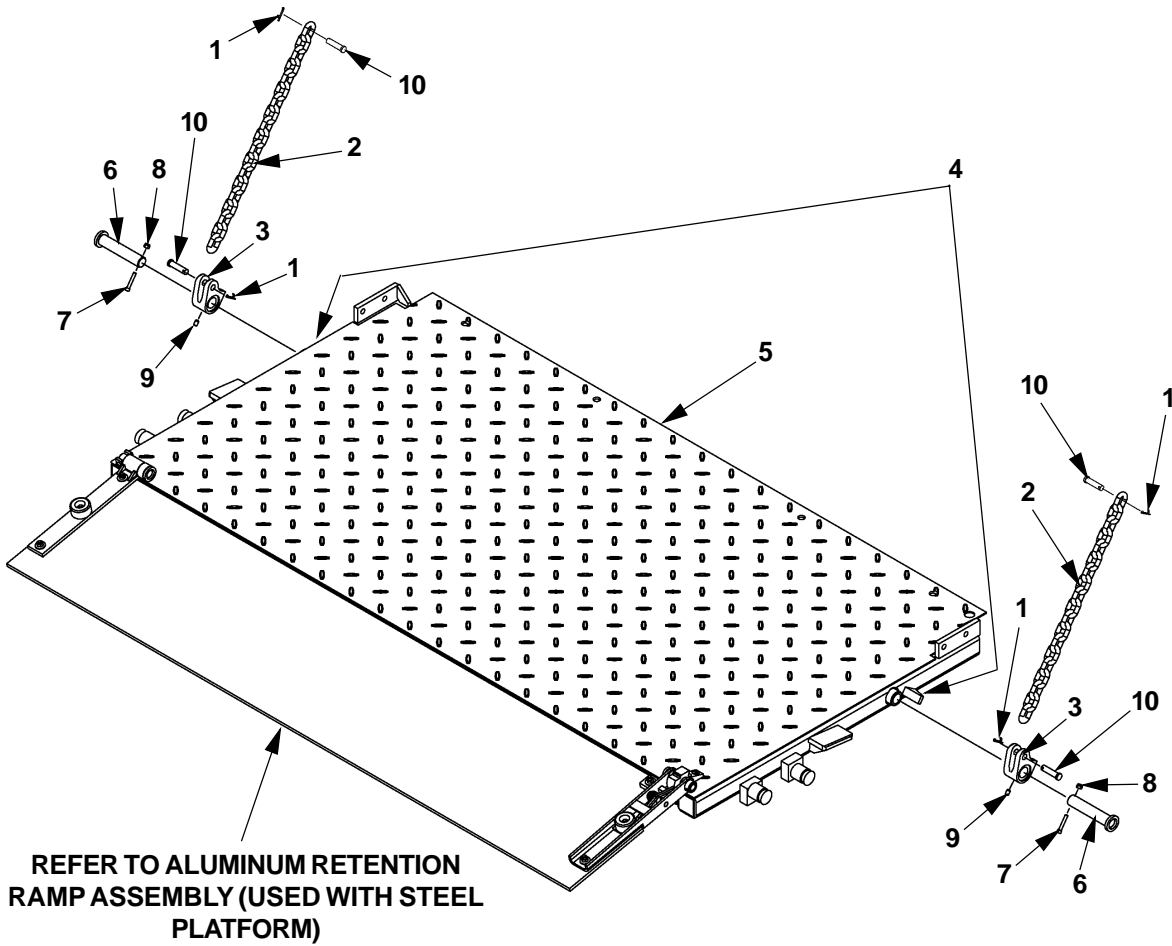


NOTE: THE LOCKING ROUND WEDGES SHOWN ARE ONLY ON 36" DEEP PLATFORM.

CS PLATFORM ASSEMBLY (STEEL)

ITEM	QTY.	PART NO.	DESCRIPTION
1	2	030177	PIN, COTTER 1/8 x 1-1/2" LG.
2	2	253606-26	CHAIN, 3/8" x 22-7/8" LG.
3		280586-01	RAMP, BMRA-CS EXTRUDED
3A	2	908002-01	BEARING, SELF LUBE
4	2	260772	PIN, 2-3/8" LG.
5	2	260876	PIN, 6-7/8" LG.
6	4	260877	PIN, 3-3/4" LG.
7	2	280021	CHAIN HOLDER
8	2	280212	STOP BLOCK
9	1	280312-01	PLATFORM (96" x 36" DEEP)
		280312-02	PLATFORM (96" x 42" DEEP)
		280312-03	PLATFORM (102"x 36" DEEP)
		280312-04	PLATFORM (102"x 42" DEEP)
10	1	280320-01	HORIZONTAL RAIL, LH (36" DEEP P/F)
		280320-03	HORIZONTAL RAIL, LH (42" DEEP P/F)
11	1	280320-02	HORIZONTAL RAIL, RH (36" DEEP P/F)
		280320-04	HORIZONTAL RAIL, RH (42" DEEP P/F)
12	1	280334-01	FOLDING RAIL, LH (96" WIDE P/F)
		280334-03	FOLDING RAIL, LH (102" WIDE P/F)
13	1	280334-02	FOLDING RAIL, RH (96" WIDE P/F)
		280334-04	FOLDING RAIL, RH (102" WIDE P/F)
14	1	280335-01	CORNER POST, LH
15	1	280335-02	CORNER POST, RH
16	2	280459-01	PIN WELDMENT
17	2	900025-6	SOCKET HD SCREW, 1/4"-20 x 1-1/2" LG.
18	2	901000	NYLON LOCK NUT, 1/4"-20
19	2	903006-3	SETSCREW, 5/16"-18 x 1/2" LG.
20	6	905033-1	ROLL PIN, 1-1/2" LG.
21	2	905033-5	ROLL PIN, 2" LG.
22	4	905136-01	CLEVIS PIN, 1/2"x1-29/32" LG.
23	2	050408-05	CHAIN, 5 LINKS
24	2	202802	BALL LOCK PIN
25	2	260755	LATCH ASSEMBLY
26	2	050162-12	CHAIN, 2/0 x 46" LG.
27	4	265072	BEARING, SELF LUBE
28	2	280324-01	PIN WELDMENT
29	12	260917-06	BEARING, SELF LUBE
30	2	030805	COTTER PIN, 1/8" X 1"

ONE PIECE STEEL PLATFORM ASSEMBLY



11921 Slauson Ave. Santa Fe Springs, CA. 90670 (800) 227-4116 FAX (888) 771-7713

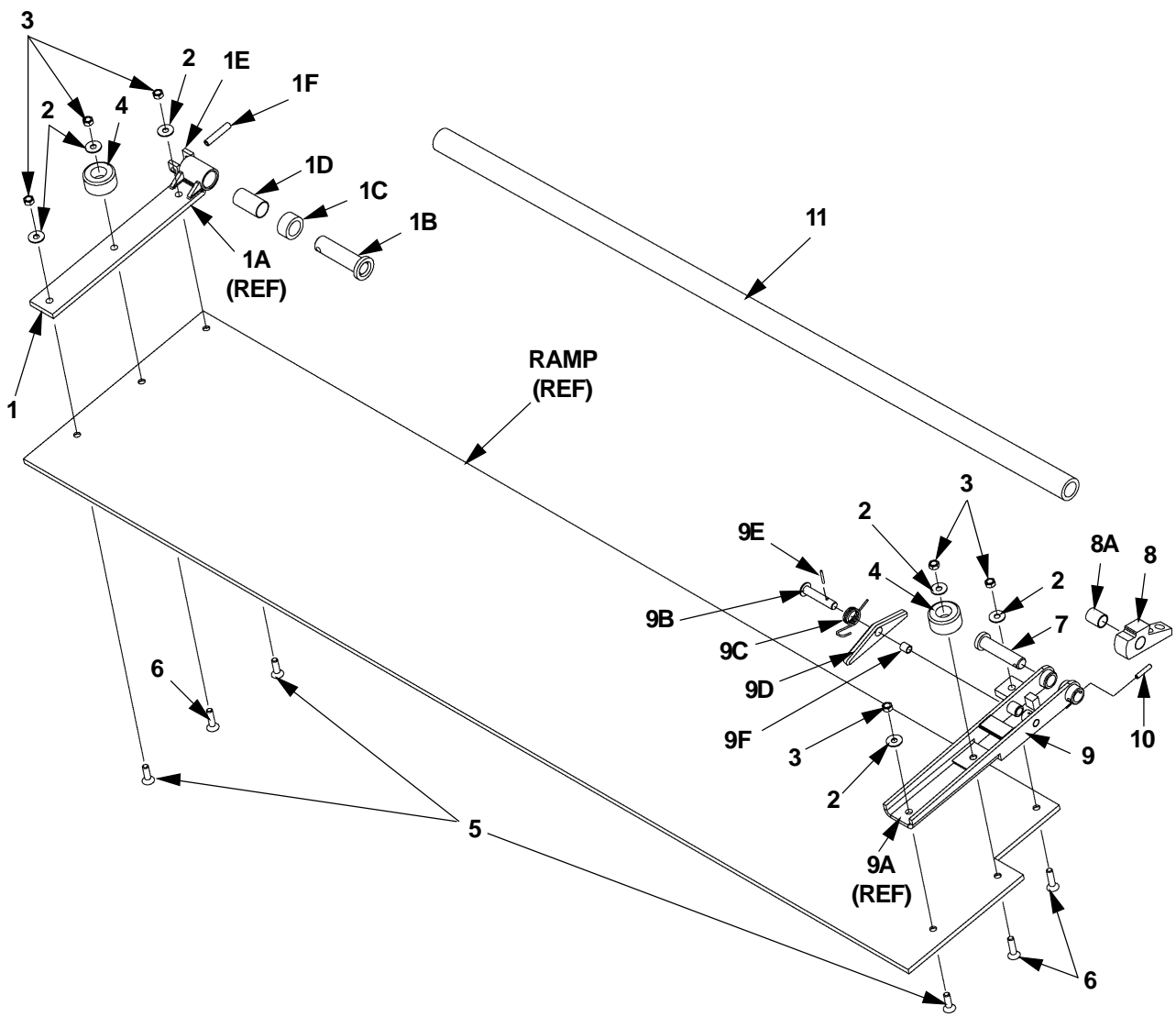
ONE PIECE STEEL PLATFORM ASSEMBLY

ITEMS	QTY.	PARTNO.	DESCRIPTION
1	4	030177	COTTER PIN
2	2	253606-26	CHAIN, 22-7/8" LG.
3	2	280021	CHAIN HOLDER
4	2	266777-01	STOP BLOCK
5	1	280311-01	PLATFORM (96" x 42" DEEP)
		280311-02	PLATFORM (96" x 48" DEEP)
		280311-03	PLATFORM (102" x 42" DEEP)
		280311-04	PLATFORM (102" x 48" DEEP)
6	2	280459-01	PIN WELDMENT
7	2	900025-6	SOCKET HD SCREW, 1/4"-20 x 1-1/2" LG.
8	2	901000	NYLON LOCK NUT, 1/4"-20
9	2	903006-3	SET SCREW 5/16"-18 x 1/2" LG
10	4	905136-01	CLEVIS PIN, 1/2" x 1-29/32" LG.

MAXON® 11921 Slauson Ave. Santa Fe Springs, CA. 90670 (800) 227-4116 FAX (888) 771-7713

ALUMINUM RETENTION RAMP ASSEMBLY (USED WITH STEEL PLATFORM)

11921 Slauson Ave. Santa Fe Springs, CA. 90670 (800) 227-4116 FAX (888) 771-7713

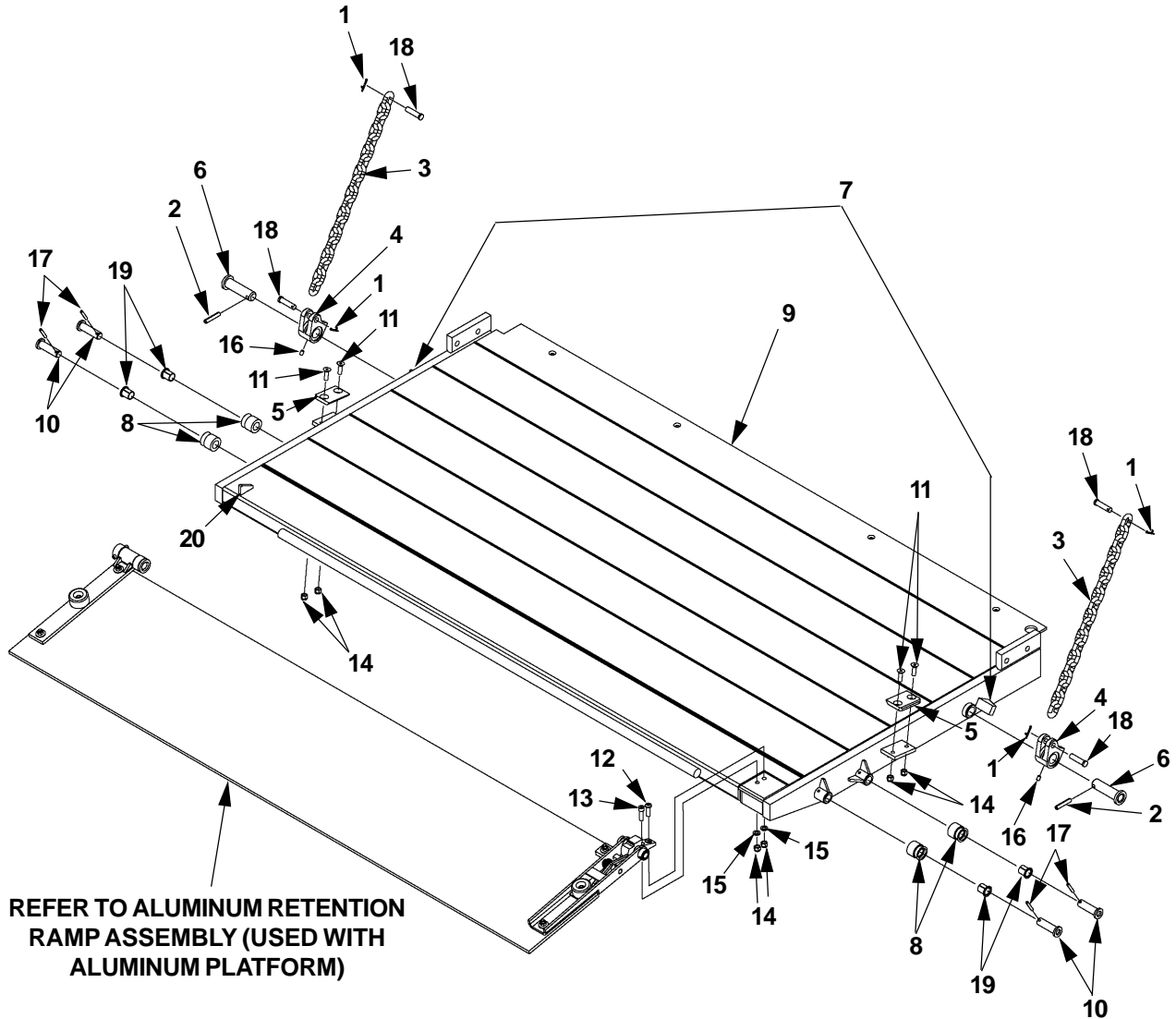


ALUMINUM RETENTION RAMP ASSEMBLY (USED WITH STEEL PLATFORM)

ITEM	QTY.	PART NO.	DESCRIPTION
REF	1	264697-06	ALUMINUM RAMP (96" WIDE PLATFORM)
		264697-07	ALUMINUM RAMP (102" WIDE PLATFORM)
1	1	253524	HINGE ASSEMBLY LH
1A	1	REF	HINGE ARM WELDMENT
1B	1	253528	PIN WELDMENT
1C	1	253517	BUSHING, 3/4"
1D	1	253541	BEARING, SELF LUBE
1E	1	078202	PIN COLLAR
1F	1	221416	ROLL PIN, 3/8" x 2" LG.
2	6	902001-2	LOCK WASHER, 3/8"
3	6	030955	LOCK NUT, 3/8"-16
4	2	253516	RUBBER BUMPER
5	3	900040-5	SOCKET FLAT HD SCREW, 3/8-16 X 1-1/4" LG.
6	3	900040-6	SOCKET FLAT HD SCREW, 3/8-16 X 1-1/2" LG.
7	1	264586	PIN WELDMENT, 3/4" LG.
8	1	264639	LOCKING CAM
8A	1	260917-06	BEARING, SELF LUBE
9	1	264572	HINGE ASSEMBLY RH
9A	1	REF	HINGE WELDMENT, RH
9B	1	264577	PIN WELDMENT, 1/2" LG.
9C	1	264638	TORSION SPRING, LH
9D	1	264547	LOCKING ARM ASSY
9E	1	030406	ROLL PIN, 1/8" x 1" LG.
9F	1	253542	BEARING, SELF LUBE
10	1	905033-2	ROLL PIN, 1/4" x 1-1/4" LG.
11	1	225985	PIPE, SCHED. 80, 3/4" X 60" LG

MAXON® 11921 Slauson Ave. Santa Fe Springs, CA. 90670 (800) 227-4116 FAX (888) 771-7713

ONE PIECE ALUMINUM PLATFORM ASSEMBLY (42" DEEP)



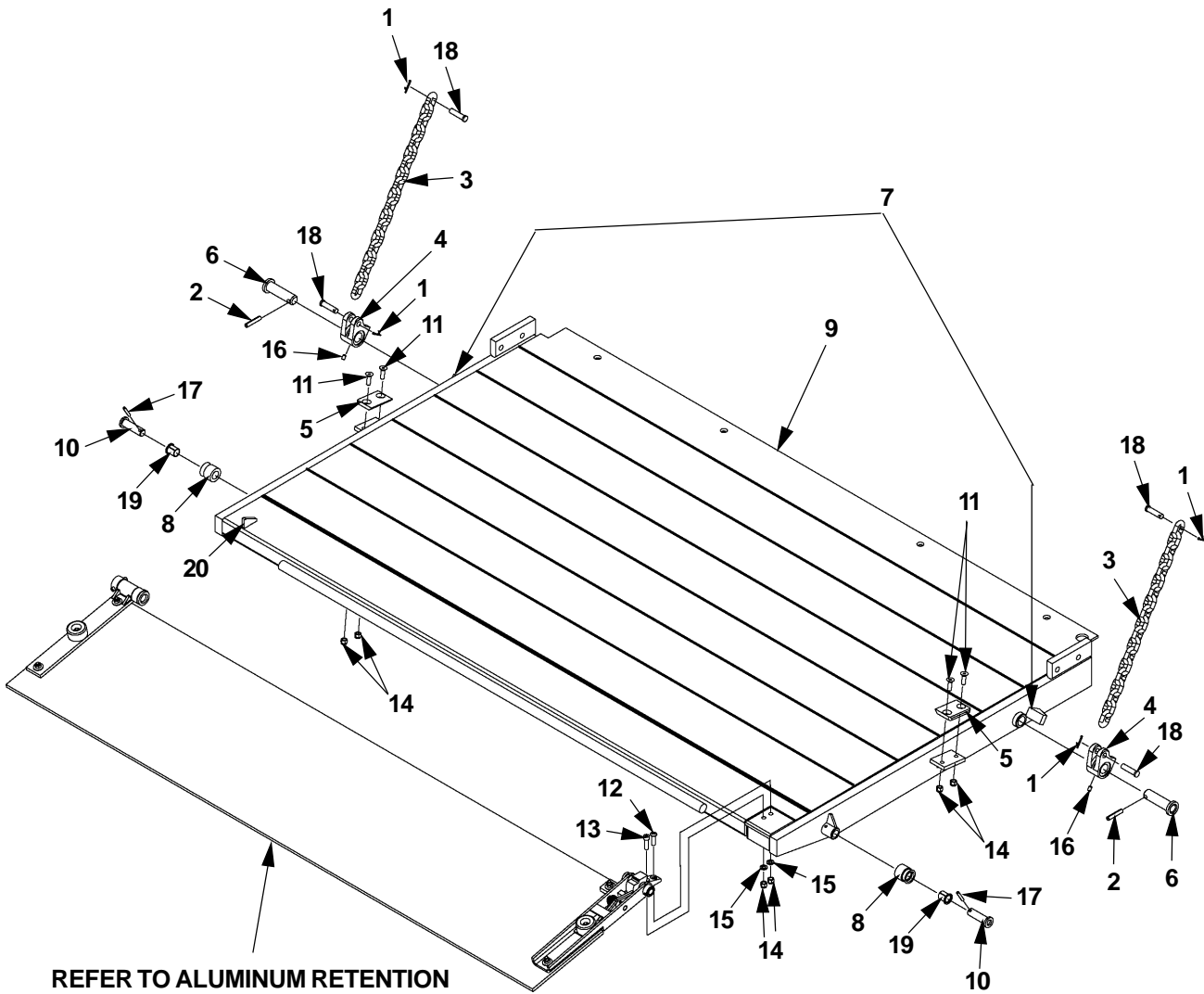
11921 Slauson Ave. Santa Fe Springs, CA. 90670 (800) 227-4116 FAX (888) 771-7713

ONE PIECE ALUMINUM PLATFORM ASSEMBLY (42" DEEP)

ITEMS	QTY.	PART NO.	DESCRIPTION
1	4	030177	COTTER PIN, 1/8" x 1-1/2" LG.
2	2	221416	ROLL PIN, 3/8" x 2" LG.
3	2	253606-26	CHAIN, 22-7/8" LG.
4	2	280021	CHAIN HOLDER
5	2	280027	BRACKET
6	2	280127	PIN WELDMENT
7	2	266777-01	STOP BLOCK
8	4	280283-01	LOCKING ROUND WEDGE
9	1	280310-01	PLATFORM WELDMENT (80" WIDE)
		280310-03	PLATFORM WELDMENT (86" WIDE)
10	4	280495-01	PIN WELDMENT
11	4	900040-5	SOCKET FLAT HD SCREW, 3/8"-16 x 1-1/4" LG.
12	1	900064-06	BUTTON HEAD CAP SCREW, 3/8"-16 x 1-1/4" LG.
13	1	900065-05	SOCKET HEAD SCREW, 3/8"-16 x 1-1/4" LG.
14	6	901002	NYLON LOCK NUT, 3/8"-16
15	2	902000-10	FLAT WASHER, 3/8"
16	2	903006-3	SET SCREW, 5/16"-18 x 1/2" LG.
17	4	905033-1	ROLL PIN
18	2	905136-01	CLEVIS PIN, 1/2" x 1-29/32" LG.
19	4	905305-01	BEARING, SELF LUBE
20	1	280877-01	GUSSET

MAXON[®] 11921 Slauson Ave. Santa Fe Springs, CA. 90670 (800) 227-4116 FAX (888) 771-7713

ONE PIECE ALUMINUM PLATFORM ASSEMBLY (48" DEEP)



REFER TO ALUMINUM RETENTION
RAMP ASSEMBLY (USED WITH
ALUMINUM PLATFORM)

11921 Slauson Ave. Santa Fe Springs, CA. 90670 (800) 227-4116 FAX (888) 771-7713

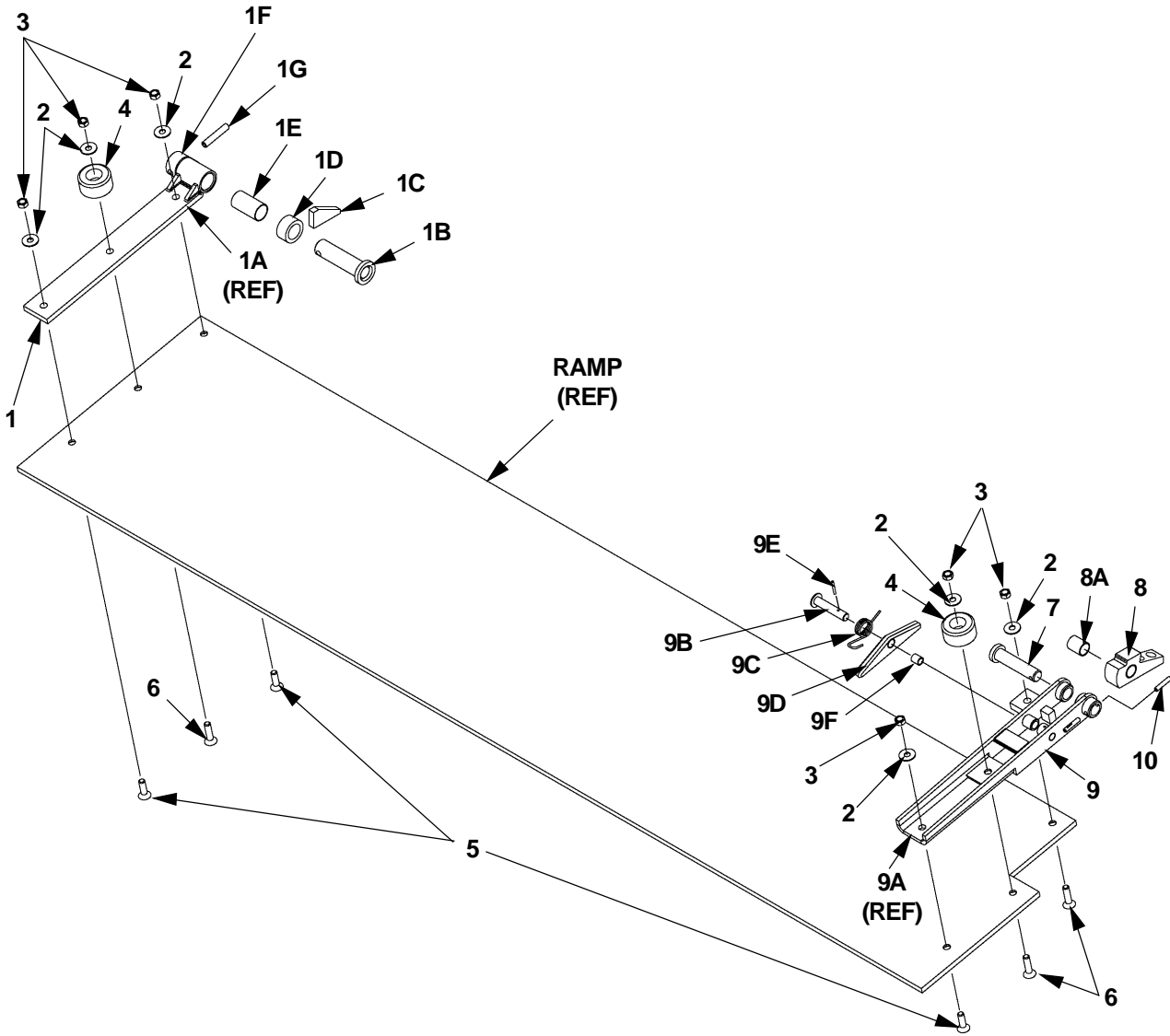
ONE PIECE ALUMINUM PLATFORM ASSEMBLY (48" DEEP)

ITEMS	QTY.	PART NO.	DESCRIPTION
1	4	030177	COTTER PIN, 1/8" x 1-1/2" LG.
2	2	221416	ROLL PIN, 3/8" x 2" LG.
3	2	253606-26	CHAIN, 3/8" x 22-7/8" LG.
4	2	280021	CHAIN HOLDER
5	2	280027	BRACKET
6	2	280127	PIN WELDMENT
7	2	280209	STOP BLOCK
8	2	280283-01	LOCKING ROUND WEDGE
9	1	280310-02	PLATFORM WELDMENT (96" WIDE)
		280310-04	PLATFORM WELDMENT (102" WIDE)
10	2	280495-01	PIN WELDMENT
11	4	900040-5	SOCKET FLAT HD SCREW, 3/8"-16 x 1-1/4" LG.
12	1	900064-06	BUTTON HEAD CAP SCREW, 3/8"-16 x 1-1/4" LG.
13	1	900065-05	SOCKET HEAD SCREW, 3/8"-16 x 1-1/4" LG.
14	6	901002	NYLON LOCK NUT, 3/8"-16
15	2	902000-10	FLAT WASHER, 3/8"
16	2	903006-3	SET SCREW, 5/16"-18 x 1/2" LG.
17	2	905033-1	ROLL PIN
18	2	905136-01	CLEVIS PIN, 1/2" x 1-29/32" LG.
19	2	905305-01	BEARING, SELF LUBE
20	1	280877-01	GUSSET

MAXON[®] 11921 Slauson Ave. Santa Fe Springs, CA. 90670 (800) 227-4116 FAX (888) 771-7713

ALUMINUM RETENTION RAMP ASSEMBLY (USED WITH ALUMINUM PLATFORM)

11921 Slauson Ave. Santa Fe Springs, CA. 90670 (800) 227-4116 FAX (888) 771-7713



ALUMINUM RETENTION RAMP ASSEMBLY (USED WITH ALUMINUM PLATFORM)

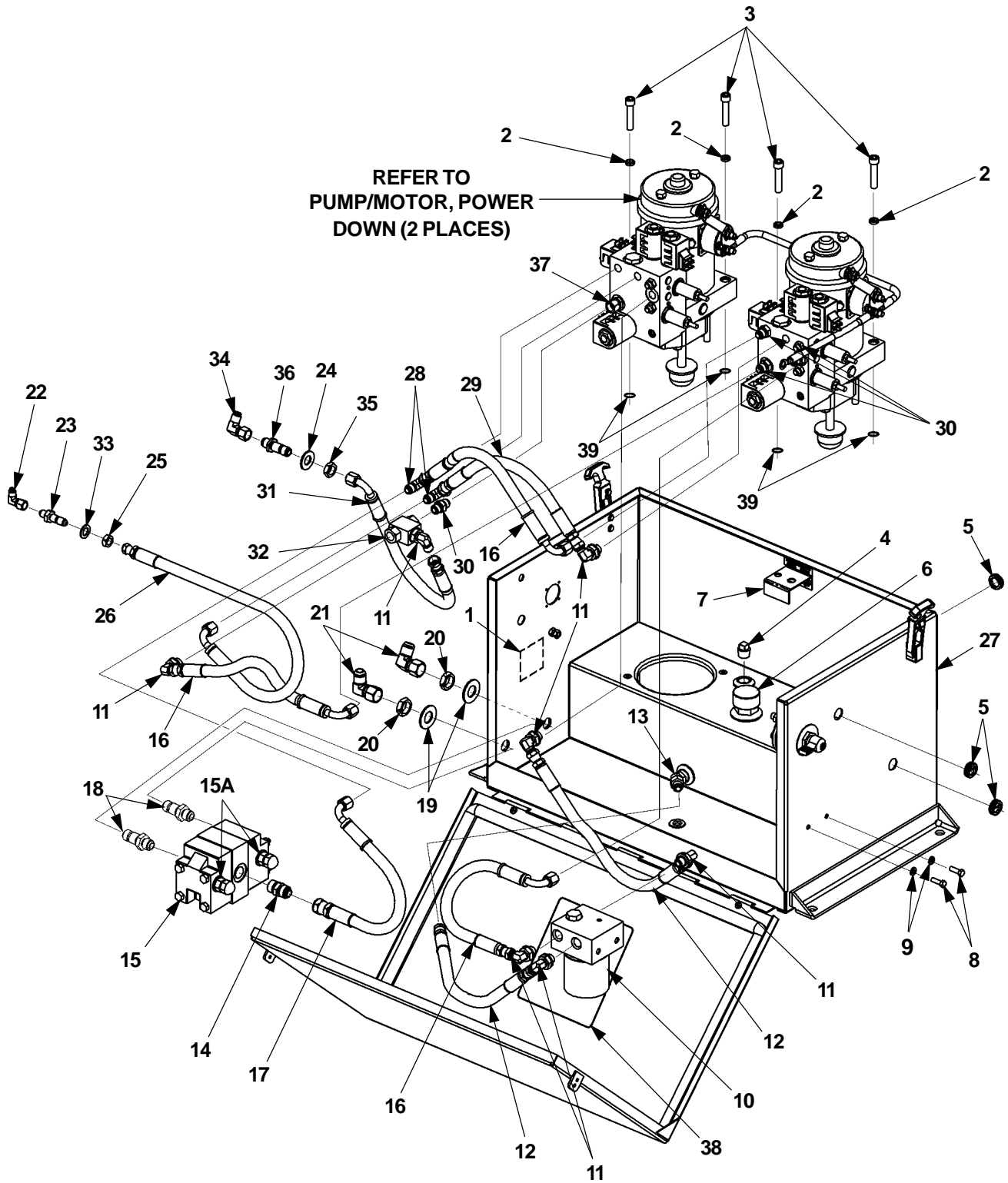
ITEM	QTY.	PART NO.	DESCRIPTION
REF	1	264697-06	ALUMINUM RAMP (96" WIDE PLATFORM)
		264697-07	ALUMINUM RAMP (102" WIDE PLATFORM)
1	1	263463	HINGE ASSEMBLY LH
1A	1	REF	HINGE ARM WELDMENT
1B	1	253528	PIN WELDMENT
1C	1	263467	GUSSET
1D	1	091884-10	ROUND TUBE, ALUMINUM, 3/4" LG.
1E	1	253541	BEARING, SELF LUBE
1F	1	263466	PIN COLLAR
1G	1	221416	ROLL PIN, 3/8" x 2" LG.
2	6	902001-2	LOCK WASHER, 3/8"
3	6	030955	LOCK NUT, 3/8"-16
4	2	253516	RUBBER BUMPER
5	3	900040-5	SOCKET FLAT HD SCREW, 3/8-16 X 1-1/4" LG.
6	3	900040-6	SOCKET FLAT HD SCREW, 3/8-16 X 1-1/2" LG.
7	1	264586	PIN WELDMENT, 3/4" LG.
8	1	264639	LOCKING CAM
8A	1	260917-06	BEARING, SELF LUBE
9	1	264572	HINGE ASSEMBLY RH
9A	1	REF	HINGE WELDMENT, RH
9B	1	264577	PIN WELDMENT, 1/2" LG.
9C	1	264638	TORSION SPRING, LH
9D	1	264547	LOCKING ARM ASSY
9E	1	030406	ROLL PIN, 1/8" x 1" LG.
9F	1	253542	BEARING, SELF LUBE
10	1	905033-2	ROLL PIN, 1/4" x 1-1/4" LG.

THIS PAGE INTENTIONALLY LEFT BLANK

11921 Slauson Ave. Santa Fe Springs, CA. 90670 (800) 227-4116 FAX (888) 771-7713

HYDRAULIC COMPONENTS SECTION

DUAL PUMP ASSEMBLY, POWER DOWN



11921 Slauson Ave. Santa Fe Springs, CA. 90670 (800) 227-4116 FAX (888) 771-7713

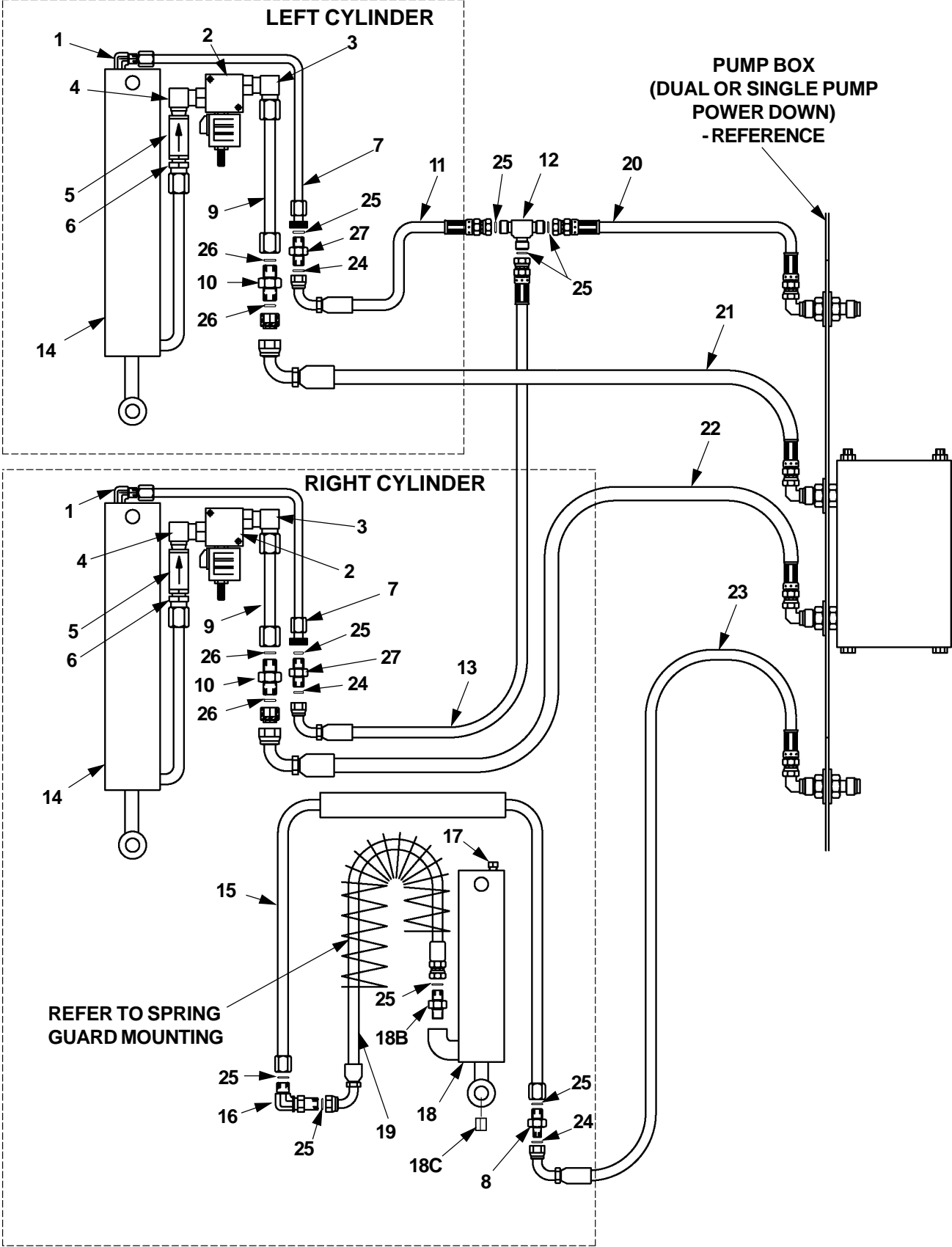
DUAL PUMP ASSEMBLY, POWER DOWN

ITEM	QTY.	PART NO.	DESCRIPTION
REF	-	264200	DUAL PUMP ASSY, POWER DOWN
1	1	265734-01	GROUND STUD DECAL
2	4	263952	LOCK WASHER, 3/8" ZINC
3	4	263951	CAP SCREW, 3/8"-16 x 1-3/4" LG.
4	1	700729	PLUG, 3/8"
5	3	261416	GROMMET, 3/4" RUBBER
6	1	263369	FILLER CAP
7	1	264183	DECAL PUMP SELECTOR
8	2	900004-1	CAP SCREW, 1/4"-20 x 3/4" LG.
9	2	902011-2	LOCK WASHER, 1/4" x 1/16" THK.
10	1	260920	SPIN-ON OIL FILTER
11	7	905152	ELBOW, 90°, SAE#6 x JIC#7#6
12	2	263967	HOSE, 3/8" HP JIC#6 F-F x 16.12" LG.
13	1	905177	ELBOW, 45°, 3/8" NPT x 3/8" JIC
14	1	253706	STRAIGHT UNION SAE#8 x JIC#8 M-M
15	1	253513	FLOW DIVIDER
15A	2	902024	WASHER, THREAD SEAL
16	3	263966	HOSE, 3/8" HP JIC#6 F-F x 14.4" LG.
17	1	263971	HOSE, 3/8" HP JIC#6 F-F x 17.57" LG.
18	2	261461	UNION, BLKHD, SAE 37° FLARE TWIN
19	2	902000-20	FLAT WASHER, 3/4"
20	2	261462	NUT, BULKHD, SAE 37° FLARE TWIN
21	2	260120	ELBOW, 90°, JIC#8-M x JIC#8-F
22	1	905027	ELBOW JIC#4 M-F SW
23	1	905096	STRAIGHT UNION JIC#4
24	1	902013-14	FLAT WASHER, 19/32" ZINC
25	1	905085	NUT, BULKHEAD, JIC#4
26	1	264196	HOSE, 90°, 3/8" HP JIC#6
27	1	264260	PUMP BOX ASSEMBLY
28	2	264180	TEE, STRAIGHT THREAD, O-RING
29	1	264091	HOSE, 3/8" HP JIC#6 F-F 13.8
30	4	905153	FITTING STR. THD. SAE#6 x JIC #6
31	1	264197	HOSE, 3/8" HP JIC#6
32	1	264198	IN-LINE SHUTTLE VALVE
33	1	902000-14	FLAT WASHER, 1/2" X 7/64"
34	1	905154	ELBOW, 90° JIC#6 M-F
35	1	905086	NUT, BLKHD, JIC#6
36	1	905100	STRAIGHT UNION JIC#6
37	1	905181	SWIVEL, SAE 37°, 3/8" M-JIC#6
38	1	265330-02	DECAL, P/D HYDRAULIC FLUID LEVEL
39	4	908025-01	O-RING

MAXON 11921 Slauson Ave. Santa Fe Springs, CA. 90670 (800) 227-4116 FAX (888) 771-7713

HYDRAULIC COMPONENTS, POWER DOWN

11921 Slauson Ave. Santa Fe Springs, CA. 90670 (800) 227-4116 FAX (888) 771-7713

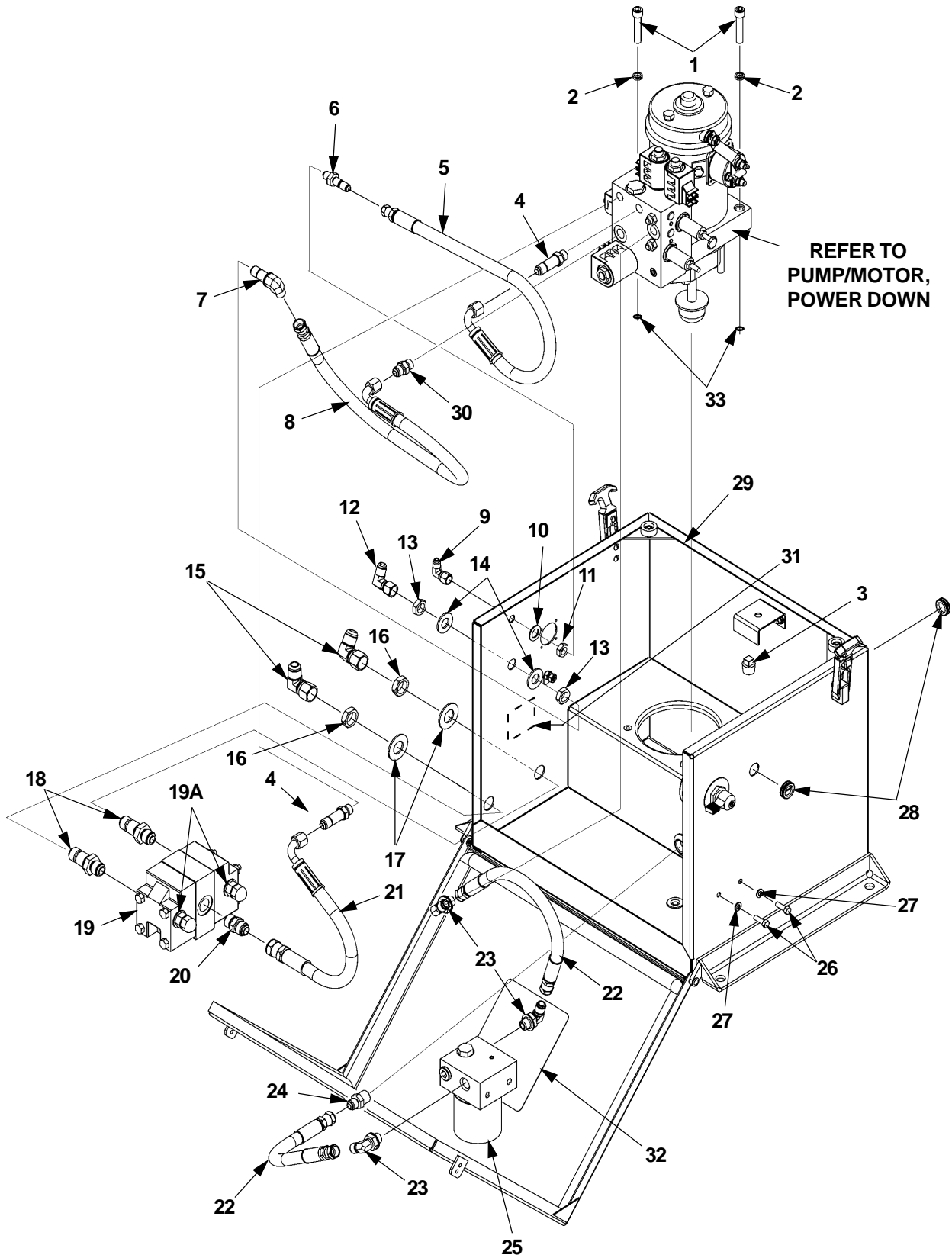


HYDRAULIC COMPONENTS, POWER DOWN

ITEM	QTY.	PART NO.	DESCRIPTION
1	2	905157	ELBOW, 3/8" x 1/4" M-M
2	2	264307	HYD. LOCK VALVE
3	2	905158	ELBOW STRAIGHT, #8 x #6 M-M
4	2	260164	ELBOW 90° STRAIGHT, #6 x 1/4" M-M
5	2	253745	VALVE PRESSURE COMP.
6	2	905176	STRAIGHT CONNECTOR, #8 x #4 M-M
7	2	280629-01	RETURN TUBE ASSEMBLY
8	1	905180	UNION, FACE SEAL,# 6-#4, 1/4"M - 3/8"M
9	2	280628-01	LIFTING TUBE ASSEMBLY
10	2	905161	UNION, #8 M-M
11	1	264294-02	HOSE ASSEMBLY HP, 100"
12	1	905150	TEE, UNION 3/8" F.S. MALE, 6-JLO
12A	3	906712-02	O-RING #6, 3/8" ORFS TUBE END
13	1	264294-03	HOSE ASSEMBLY HP, 24"
14	2	280663-01	CYLINDER (BMR-A -35 & -44)
		280663-02	CYLINDER (BMR-A -55 & -66)
14A	1	280524	SEAL KIT, CYL. (BMR-A -35 & -44)
		280523	SEAL KIT, CYL. (BMR-A -55 & -66)
15	1	280630-01	"U" TUBE ASSEMBLY, 98" x 11"
16	1	905162	ELBOW BULKHEAD UNION, #6 M-M
17	1	040494	BREATHER
18	1	264103	CLOSING CYLINDER
18A	1	280528	SEAL KIT, CYLINDER
18B	1	905179	CONNECTOR, #4 x #6 M-M
18C	1	253657	BEARING, SELF-LUBE
19	1	264109	HOSE ASSEMBLY HP, 46"
		280229-01	HOSE ASSEMBLY HP, 34"
		280229-02	HOSE ASSEMBLY HP, 166"
20	1	280229-03	HOSE ASSEMBLY HP, 286"
		280223-02	HOSE ASSEMBLY HP, 142"
		280223-04	HOSE ASSEMBLY HP, 274"
21	1	280223-06	HOSE ASSEMBLY HP, 394"
		280223-01	HOSE ASSEMBLY HP, 64"
		280223-03	HOSE ASSEMBLY HP, 196"
22	1	280223-05	HOSE ASSEMBLY HP, 316"
		280232-01	HOSE ASSEMBLY HP, 56"
23	1	280232-02	HOSE ASSEMBLY HP, 188"
		280232-03	HOSE ASSEMBLY HP, 308"
24	3	906712-01	O-RING, #4 (1/4" FACE SEAL TUBE-END)
25	8	906712-02	O-RING, #6 (3/8" FACE SEAL TUBE-END)
26	4	906712-03	O-RING, #8 (1/2" FACE SEAL TUBE-END)
27	2	905175	UNION, FACE SEAL, #6 M-M

MAXON® 11921 Slauson Ave. Santa Fe Springs, CA. 90670 (800) 227-4116 FAX (888) 771-7713

SINGLE PUMP ASSEMBLY, POWER DOWN

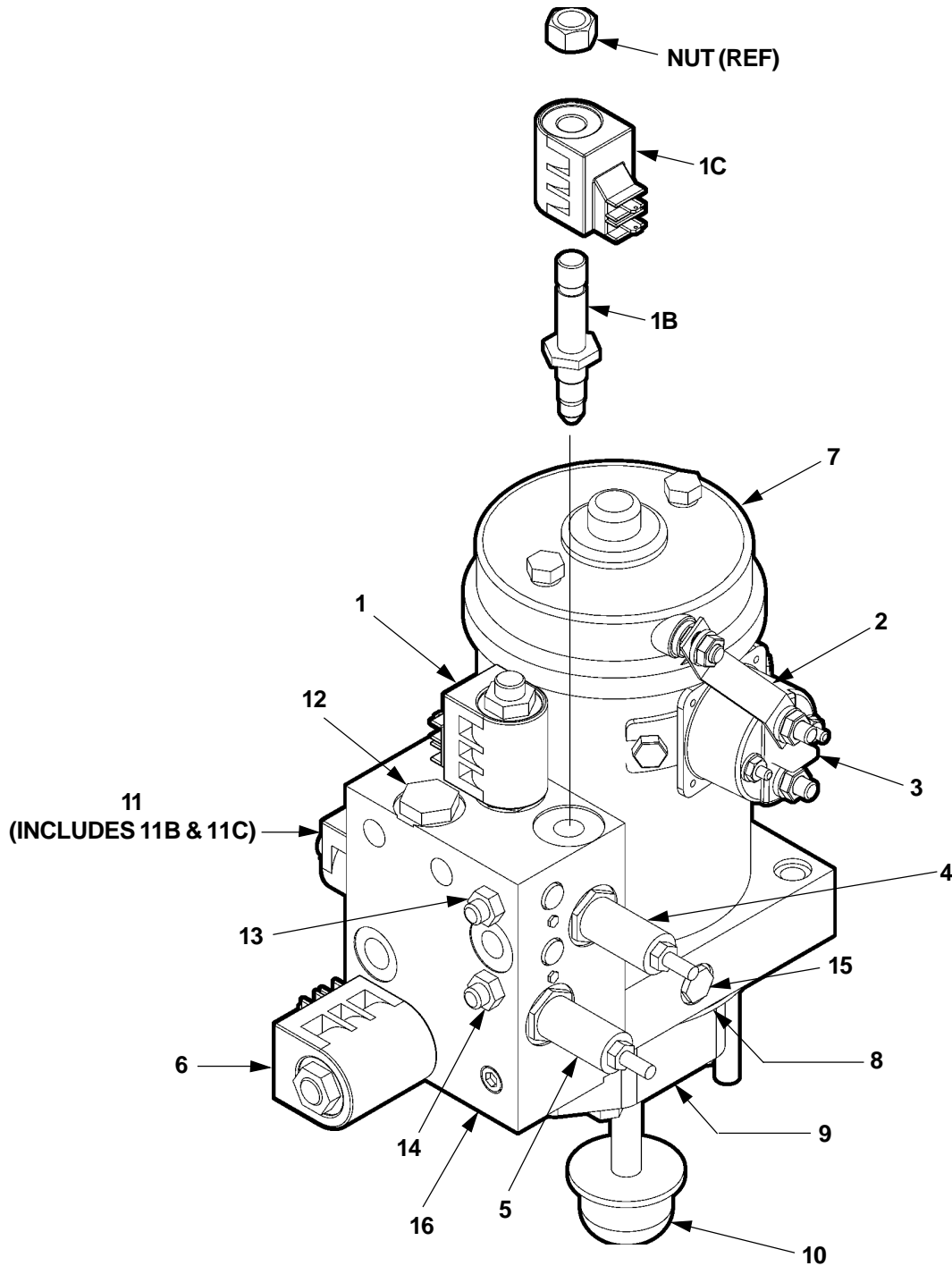


SINGLE PUMP ASSEMBLY, POWER DOWN

ITEM	QTY.	PART NO.	DESCRIPTION
REF	-	280240	SINGLE PUMP ASSY, POWER DOWN
1	2	263951	CAP SCREW, 3/8"-16 x 1-3/4"
2	2	263952	LOCK WASHER, 3/8"
3	1	700729	PLUG, 3/8"
4	2	905214	FITTING, STR. THD., O-RING SAE #6 & JIC
5	1	264196	HOSE, 90°, 3/8" HP JIC #6
6	1	905096	STRAIGHT UNION JIC #4
7	1	905148	BULKHEAD UNION ELBOW SAE #6, JIC
8	1	263970	HOSE, 3/8" HP JIC #6 F-F 22"
9	1	905027	ELBOW JIC #4 M-F SW
10	1	902000-14	FLAT WASHER, 1/2" x 7/64"
11	1	905085	NUT, BULKHEAD JIC #4
12	1	905154	ELBOW, 90°, JIC #8-M x JIC #6-F
13	2	905086	NUT, BULKHEAD JIC #6
14	2	902013-14	FLAT WASHER, 9/16"
15	2	260120	ELBOW, 90°, JIC #8-M x JIC #8-F
16	2	261462	NUT, BLKHD, SAE 37° FLARE TWIN
17	2	902000-20	FLAT WASHER, .750" x .090" THK
18	2	261461	UNION, BULKHEAD, SAE 37° FLARE TWIN
19	1	253513	FLOW DIVIDER
19A	2	902024	WASHER, THREAD SEAL
20	1	253706	STR. UNION, O-RING, SAE #8-M JIC #8-M
21	1	263971	HOSE, 3/8" HP JIC #6 F-F x 17.57" LG
22	2	263967	HOSE, 3/8" HP JIC #6 F-F x 16.12" LG
23	3	905152	ELBOW, 90°, SAE #6 x JIC 37 #6
24	1	403071	CONNECTOR, 3/8" x 3/8" MALE
25	1	260920	SPIN-ON OIL FILTER
26	2	900004-1	CAP SCREW, 1/4-20 x 3/4"
27	2	902011-2	LOCK WASHER, 1/4" x 5/8"
28	2	261416	GROMMET, 3/4"
29	1	280241	SINGLE PUMP BOX ASSEMBLY
30	1	905153	FITTING, STR. THD. O-RING SAE #6 & JIC 6
31	1	265734-01	GROUND STUD DECAL
32	1	265330-02	DECAL, P/D HYDRAULIC FLUID LEVEL
33	2	908025-01	O-RING

MAXON® 11921 Slauson Ave. Santa Fe Springs, CA. 90670 (800) 227-4116 FAX (888) 771-7713

PUMP/MOTOR, POWER DOWN

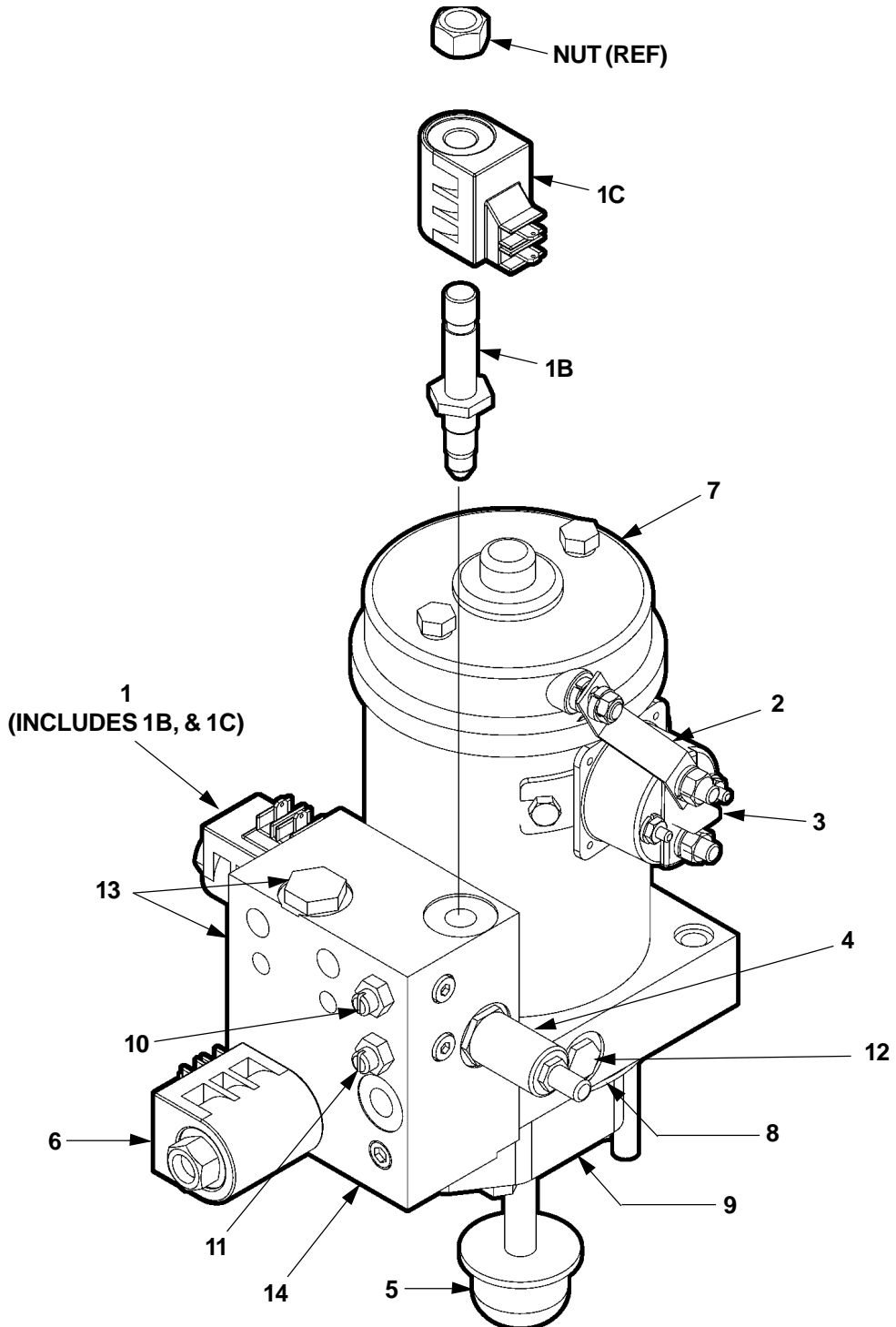


11921 Slauson Ave. Santa Fe Springs, CA. 90670 (800) 227-4116 FAX (888) 771-7713

PUMP/MOTOR, POWER DOWN

ITEM	QTY.	PART NO.	DESCRIPTION
REF	-	264191	PUMP/MOTOR, POWER DOWN
1	2	290043	VALVE, 2 POSITION, 2-WAY
1A	1	226594	O-RING KIT, 2-WAY VALVE
1B	1	290044	VALVE CARTRIDGE ONLY
1C	1	290045	COIL ONLY
2	1	262966	BUS BAR
3	1	265662	STARTER SOLENOID, 12 VDC, 4-TERMINAL (MTE P/N 39002134)
		262939	STARTER SOLENOID, 12 VDC, 3-TERMINAL
4	1	290035	RELIEF VALVE (2400 PSI)
5	1	290036	RELIEF VALVE (300 PSI)
6	1	290019	VALVE, 2 POSITION, 3-WAY
7	1	250093	MOTOR, 12 VDC
8	1	251884	O-RING
9	1	290004	GEAR PUMP
10	1	260250	FILTER
11	1	290046	VALVE, 2 POSITION, 4 WAY
11A	1	226595	O-RING KIT, 4-WAY
11B	1	290047	VALVE CARTRIDGE ONLY
11C	1	290048	COIL ONLY
12	1	290033	CHECK VALVE (F VALVE)
13	1	290031	NEEDLE VALVE
14	1	290032	NEEDLE VALVE
15	1	260229	RELIEF VALVE
16	1	290030	MANIFOLD BLOCK ASSEMBLY (WITH VALVES)

PUMP/MOTOR, GRAVITY DOWN



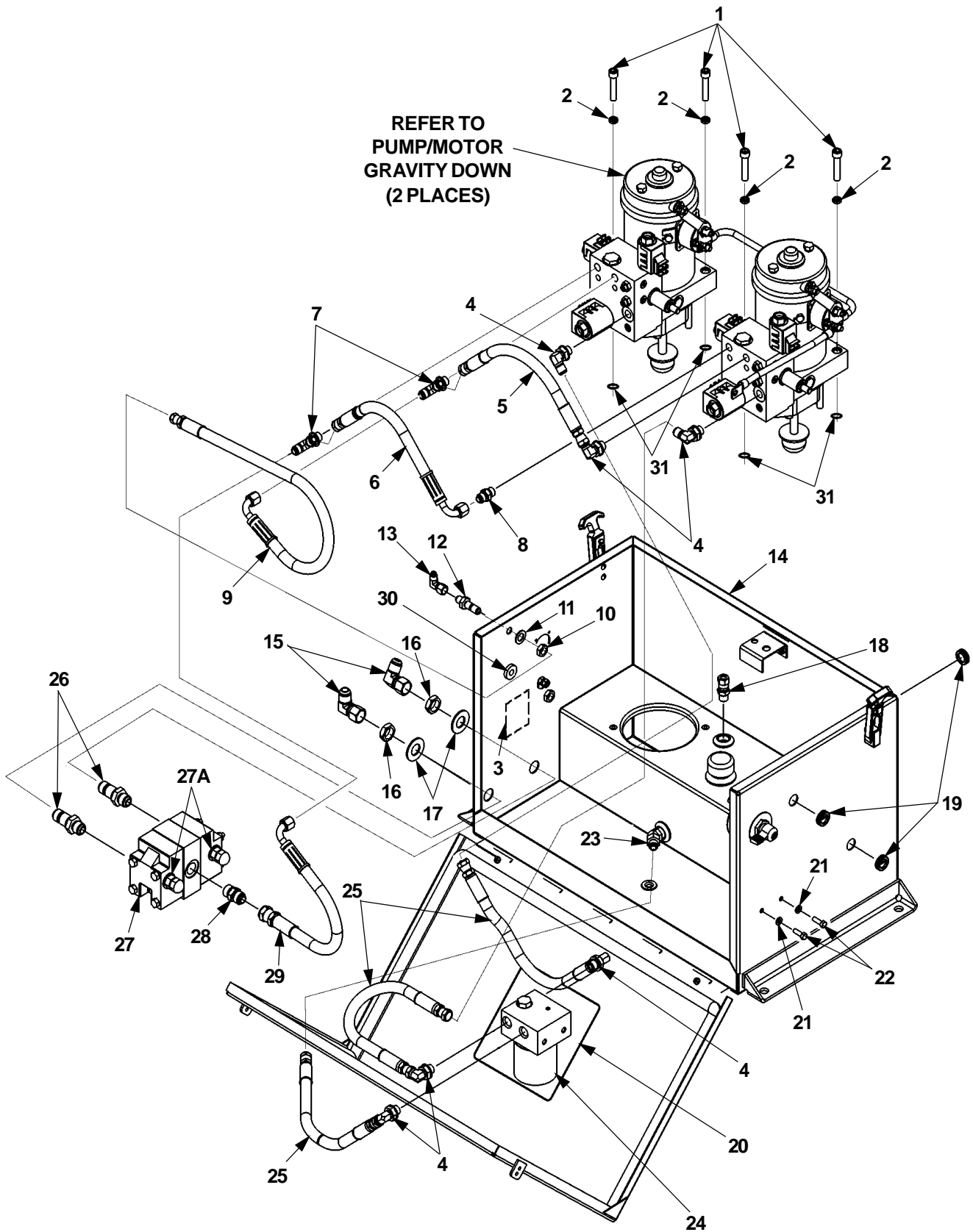
11921 Slauson Ave. Santa Fe Springs, CA. 90670 (800) 227-4116 FAX (888) 771-7713

PUMP/MOTOR, GRAVITY DOWN

ITEM	QTY.	PART NO.	DESCRIPTION
REF	-	263785	PUMP/MOTOR, GRAVITY DOWN
1	2	290043	VALVE, SOLENOID 2-WAY
1A	1	226594	O-RING KIT, 2-WAY VALVE
1B	1	290044	VALVE CARTRIDGE ONLY
1C	1	290045	COIL ONLY
2	1	262966	BUS BAR
3	1	265662	STARTER SOLENOID, 12 VDC, 4-POLE (MTE P/N 39002134)
		262939	STARTER SOLENOID, 12 VDC, 3-TERMINAL
4	1	290035	RELIEF VALVE (2400 PSI)
5	1	260250	FILTER
6	1	290019	VALVE, 2 POSITION, 3-WAY
7	1	250093	MOTOR, 12 VDC
8	1	251884	O-RING
9	1	290004	GEAR PUMP
10	1	290031	NEEDLE VALVE
11	1	290032	NEEDLE VALVE
12	1	260229	RELIEF VALVE
13	2	290033	CHECK VALVE (F&G VALVES)
14	1	290029	MANIFOLD BLOCK ASSEMBLY (WITH VALVES)

MAXON® 11921 Slauson Ave. Santa Fe Springs, CA. 90670 (800) 227-4116 FAX (888) 771-7713

DUAL PUMP ASSEMBLY, GRAVITY DOWN



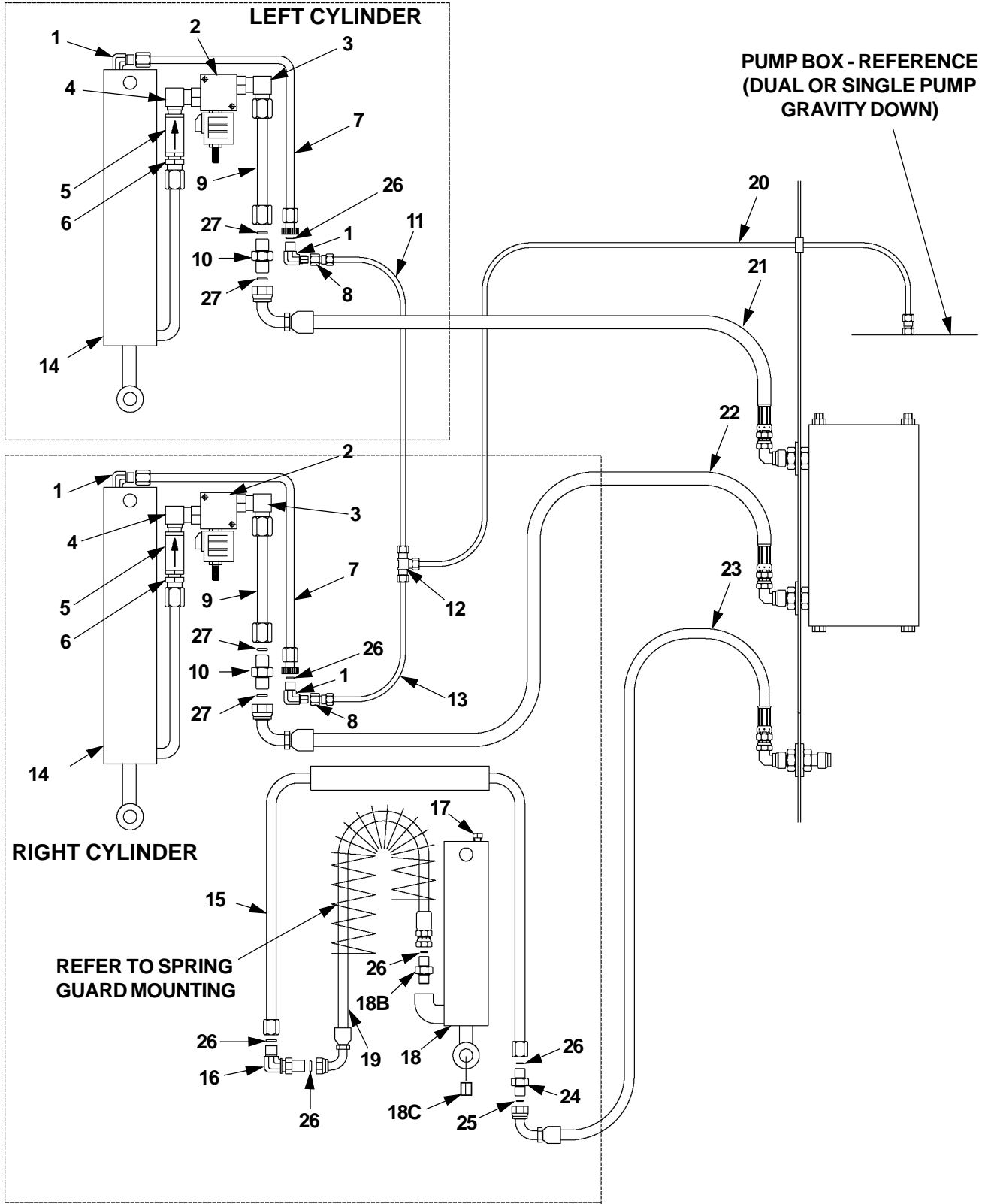
11921 Slauson Ave. Santa Fe Springs, CA. 90670 (800) 227-4116 FAX (888) 771-7713

DUAL PUMP ASSEMBLY, GRAVITY DOWN

ITEM	QTY.	PART NO.	DESCRIPTION
REF	-	280220	DUAL PUMP ASSY, GRAVITY DOWN
1	4	263951	CAP SCREW, 3/8"-16 x 1-3/4"
2	4	263952	LOCK WASHER, 3/8"
3	1	265734-01	GROUND STUD DECAL
4	5	905152	ELBOW, 90°, SAE #6 x JIC 37 #6
5	1	264091	HOSE, 3/8" HP JIC #6 F-F 13.8"
6	1	263966	HOSE, 3/8" HP JIC #6 F-F x 14.4" LG.
7	2	264180	TEE, STRAIGHT THREAD, O-RING
8	1	905153	FITTING STR. THD. SAE #6 x JIC #6
9	1	264196	HOSE, 90°, 3/8" HP JIC #6
10	1	905085	NUT, BULKHEAD, JIC #4
11	1	902000-14	FLAT WASHER, 1/2" x 7/64"
12	1	905096	STRAIGHT UNION JIC #4
13	1	905027	ELBOW, JIC #4 M-F SW
14	1	264260	PUMP BOX ASSEMBLY
15	2	260120	ELBOW, 90°, JIC #8-M x JIC #8-F
16	2	261462	NUT, BULKHEAD, SAE 37° FLARE TWIN
17	2	902013-16	FLAT WASHER, 3/4" x 1-1/2"
18	1	202402	AIR FITTING
19	3	261416	GROMMET, 3/4"
20	1	265330-01	DECAL, G/D HYDRAULIC FLUID LEVEL
21	2	902011-2	LOCK WASHER, 1/4" x 1/16" THK.
22	2	900004	HEX HEAD CAP SCREW, 1/4"-20 x 1/2"
23	1	905177	ELBOW, 45°, 3/8" NPT x 3/8" JIC
24	1	260920	SPIN-ON OIL FILTER
25	3	263967	HOSE, 3/8" HP JIC #6 F-F x 16.12" LG
26	2	261461	UNION, BULKHEAD, SAE 37° FLARE TWIN
27	1	253513	FLOW DIVIDER
27A	2	902024	WASHER, THREAD SEAL
28	1	253706	STRAIGHT UNION, SAE #8 x JIC #8 M-M
29	1	263971	HOSE, 3/8" HP JIC #6 F-F x 17.57" LG.
30	1	263981	GROMMET, 3/8"
31	4	908025-01	O-RING

HYDRAULIC COMPONENTS, GRAVITY DOWN

11921 Slauson Ave. Santa Fe Springs, CA. 90670 (800) 227-4116 FAX (888) 771-7713

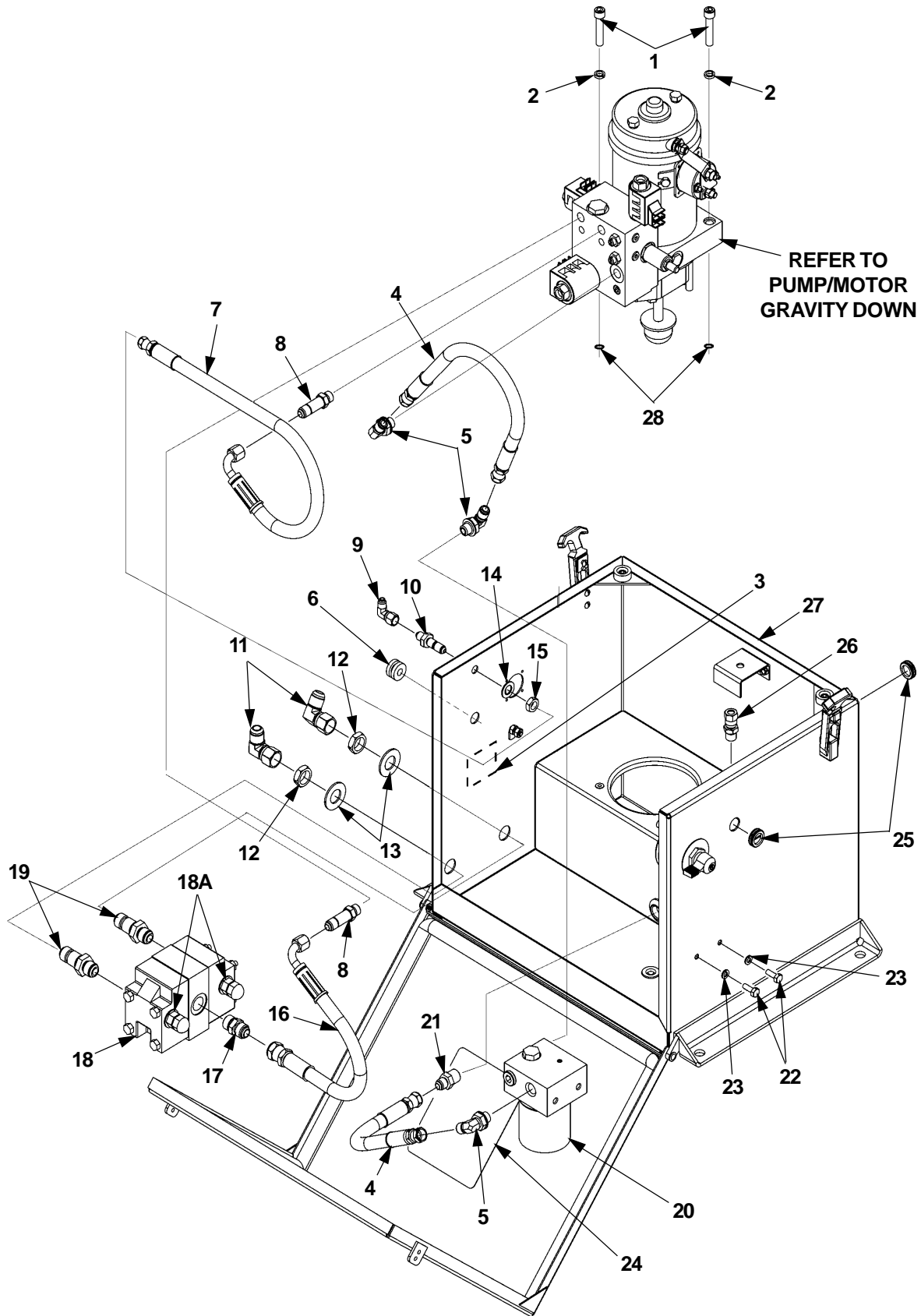


HYDRAULIC COMPONENTS, GRAVITY DOWN

ITEM	QTY.	PART NO.	DESCRIPTION
1	4	905157	ELBOW, 3/8" x 1/4" M-M
2	2	264307	HYD. LOCK VALVE
3	2	905158	ELBOW STRAIGHT, #8 x #6 M-M
4	2	260164	ELBOW, 90° STRAIGHT, #6 x 1/4" M-M
5	2	253745	VALVE PRESSURE COMP.
6	2	905176	STRAIGHT CONNECTOR, #8 x #4 M-M
7	2	280629-01	RETURN TUBE ASSEMBLY
8	2	905156	AIR BRAKE CONNECTOR
9	2	280628-01	LIFTING TUBE ASSEMBLY
10	2	905161	UNION, #8 M-M
11	1	099996-05	TUBING, 108" LG
12	1	905155	TEE, 3/8"
13	1	099996-06	TUBING, 24" LG
14	2	280663-01	CYLINDER (FOR 35 & 44 BMR-A)
		280663-02	CYLINDER (FOR 55 & 66 BMR-A)
14A	1	280524	SEAL KIT, CYL. (FOR 35 & 44 BMR-A)
		280523	SEAL KIT, CYL. (FOR 55 & 66 BMR-A)
15	1	280630-01	"U" TUBE ASSEMBLY, 98" x 11"
16	1	905162	ELBOW, BULKHEAD UNION, #6 M-M
17	1	040494	BREATHER
18	1	264103	CLOSING CYLINDER
18A	1	280528	SEAL KIT, CYLINDER
18B	1	905179	CONNECTOR, #4 x #6 M-M
18C	1	253657	BEARING, SELF LUBE
19	1	264109	HOSE ASSEMBLY HP, 46"
20	1	099996-02	TUBING, 84" LG
		099996-03	TUBING, 192" LG
		099996-08	TUBING, 324" LG
21	1	280223-02	HOSE ASSEMBLY HP, 166"
		280223-04	HOSE ASSEMBLY HP, 274"
		280223-06	HOSE ASSEMBLY HP, 394"
22	1	280223-01	HOSE ASSEMBLY HP, 64"
		280223-03	HOSE ASSEMBLY HP, 196"
		280223-05	HOSE ASSEMBLY HP, 316"
23	1	280232-01	HOSE ASSEMBLY HP, 56"
		280232-02	HOSE ASSEMBLY HP, 188"
		280232-03	HOSE ASSEMBLY HP, 308"
24	1	905180	UNION, FACE SEAL, #6-#4, 1/4"M-3/8"M
25	1	906712-01	O-RING, #4 (1/4" FACE SEAL TUBE-END)
26	1	906712-02	O-RING, #6 (3/8" FACE SEAL TUBE-END)
27	1	906712-03	O-RING, #8 (1/2" FACE SEAL TUBE-END)

MAXON® 11921 Slauson Ave. Santa Fe Springs, CA. 90670 (800) 227-4116 FAX (888) 771-7713

SINGLE PUMP ASSEMBLY, GRAVITY DOWN



SINGLE PUMP ASSEMBLY, GRAVITY DOWN

ITEM	QTY.	PART NO.	DESCRIPTION
REF	-	280230	SINGLE PUMP ASSY, GRAVITY DOWN
1	2	263951	CAP SCREW, 3/8"-16 x 1-3/4"
2	2	263952	LOCK WASHER, 3/8"
3	1	265734-01	GROUND STUD DECAL
4	2	263967	HOSE, 3/8" HP JIC #6 F-F x 16.12" LG
5	3	905152	ELBOW, 90°, SAE #6 x JIC 37 #6
6	1	263981	GROMMET, 3/8"
7	1	264196	HOSE, 90°, 3/8" HP JIC #6
8	2	905214	FITTING, STR. THD., O-RING SAE #6 & JIC
9	1	905027	ELBOW, JIC #4 M-F SW
10	1	905096	STRAIGHT UNION JIC #4
11	2	260120	ELBOW, 90°, JIC #8-M x JIC #8-F
12	2	261462	NUT, BULKHEAD, SAE 37° FLARE TWIN
13	2	902000-20	FLAT WASHER, .750" x .090" THK
14	1	902000-14	FLAT WASHER, 1/2" x 7/64"
15	1	905085	NUT, BULKHEAD, JIC #4
16	1	263971	HOSE, 3/8" HP JIC #6 F-F x 17.57" LG.
17	1	253706	STRAIGHT UNION, SAE #8-M JIC #8-M
18	1	253513	FLOW DIVIDER
18A	2	902024	WASHER, THREAD SEAL
19	2	261461	UNION, BULKHEAD, SAE 37° FLARE TWIN
20	1	260920	SPIN-ON OIL FILTER
21	1	403071	CONNECTOR, 3/8" x 3/8" MALE
22	2	900004-1	HEX HEAD CAP SCREW, 1/4"-20 x 3/4"
23	2	902011-2	LOCK WASHER, 1/4" x 5/8"
24	1	265330-01	DECAL, G/D HYDRAULIC FLUID LEVEL
25	2	261416	GROMMET, 3/4"
26	1	202402	AIR FITTING
27	1	280241	SINGLE PUMP BOX ASSEMBLY
28	2	908025-01	O-RING

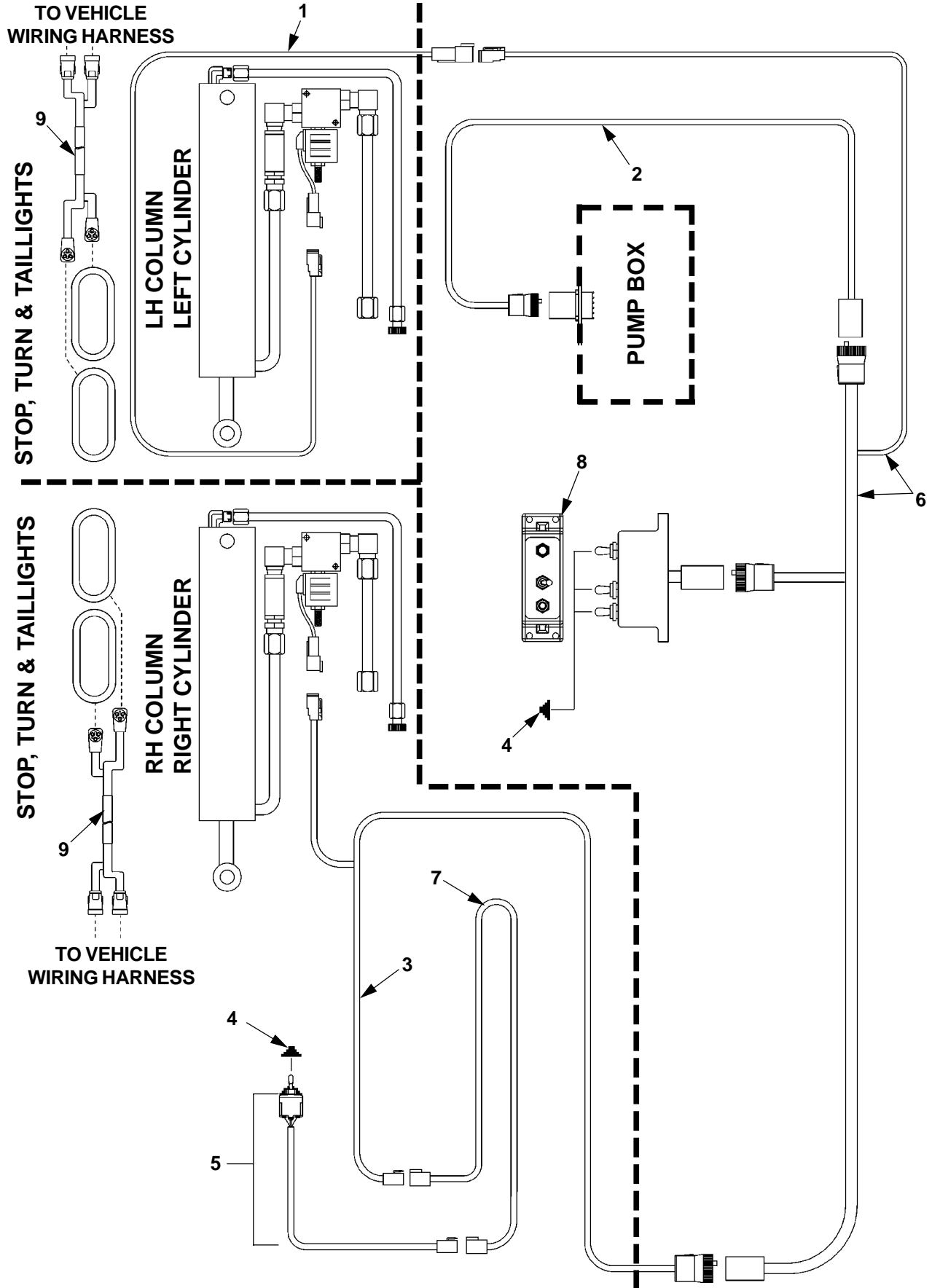
MAXON® 11921 Slauson Ave. Santa Fe Springs, CA. 90670 (800) 227-4116 FAX (888) 771-7713

THIS PAGE INTENTIONALLY LEFT BLANK

11921 Slauson Ave. Santa Fe Springs, CA. 90670 (800) 227-4116 FAX (888) 771-7713

ELECTRICAL COMPONENTS SECTION

ELECTRICAL COMPONENTS



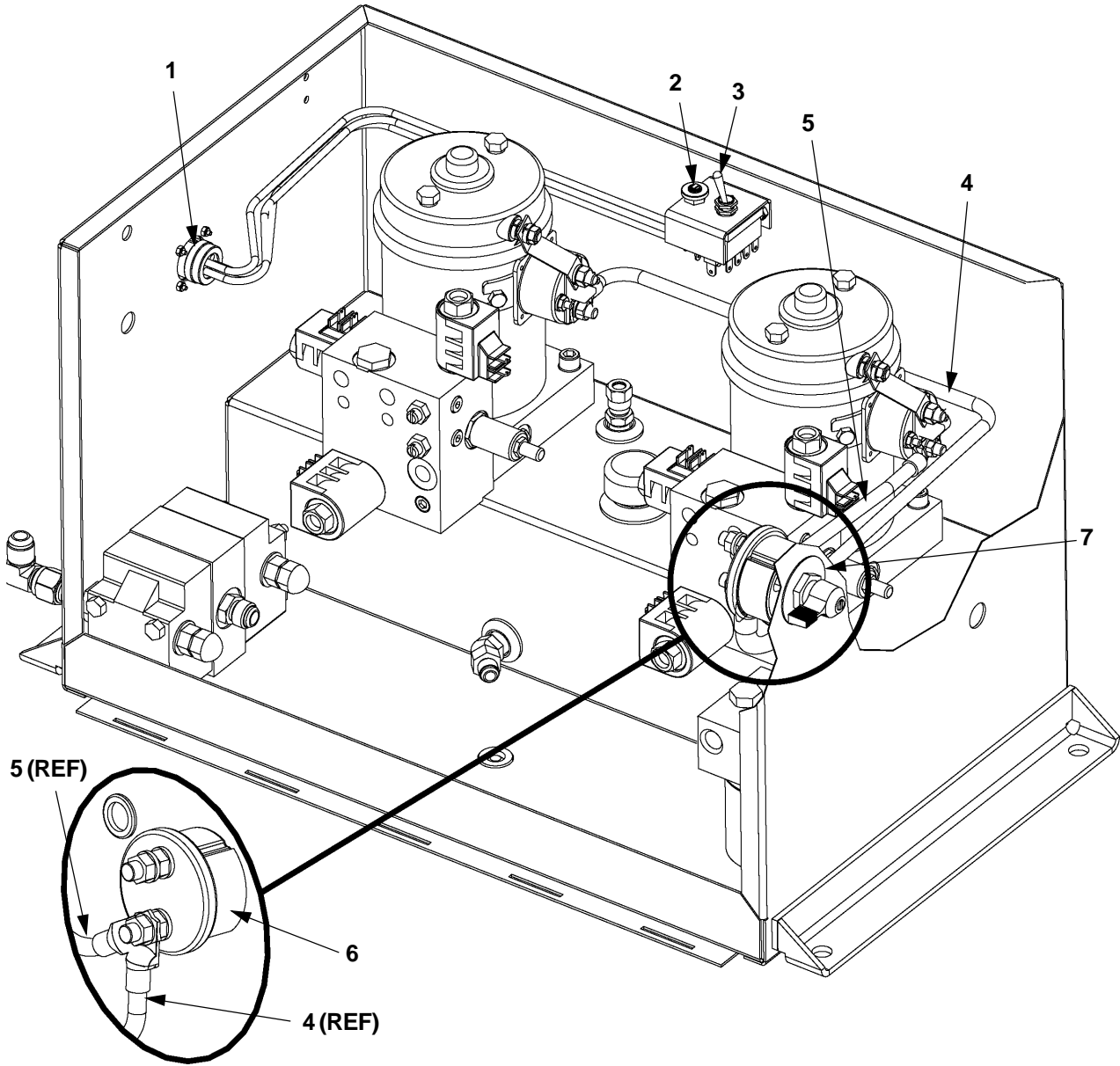
ELECTRICAL COMPONENTS

NOTE: MAXON recommends using dielectric grease on all electrical connections.

ITEM	QTY.	PART NO.	DESCRIPTION
1	1	263733	HARNESS ASSEMBLY, "D" VALVE (LH COLUMN)
2	1	263726-04	EXTENSION HARNESS, PUMP BOX, 264" LG
		263726-01	EXTENSION HARNESS, PUMP BOX, 144" LG
		263726-03	EXTENSION HARNESS, PUMP BOX, 60" LG
3	1	263725	HARNESS ASSEMBLY (WITH FUSES) (RH COLUMN)
4	4	905206	SWITCH SEAL BOOT, HALF-TOGGLE
5	1	280692-01	SWITCH & CABLE ASSEMBLY, BMRA
6	1	280285	INTERCONNECT HARNESS, BMR-A GRAVITY DOWN
		280286	INTERCONNECT HARNESS, BMR-A POWER DOWN
7	1	280693-01	CABLE ASSEMBLY FLEXIBLE
8	1	280253	CONTROL BOX BMR-A POWER DOWN
		280252	CONTROL BOX BMR-A GRAVITY DOWN
9	2	280625-01	HARNESS ASSEMBLY, STOP, TURN & TAILLIGHTS (FOR COLUMNS EQUIPPED WITH LIGHTS, ONLY)

MAXON[®] 11921 Slauson Ave. Santa Fe Springs, CA. 90670 (800) 227-4116 FAX (888) 771-7713

ELECTRICAL COMPONENTS - DUAL PUMP BOX

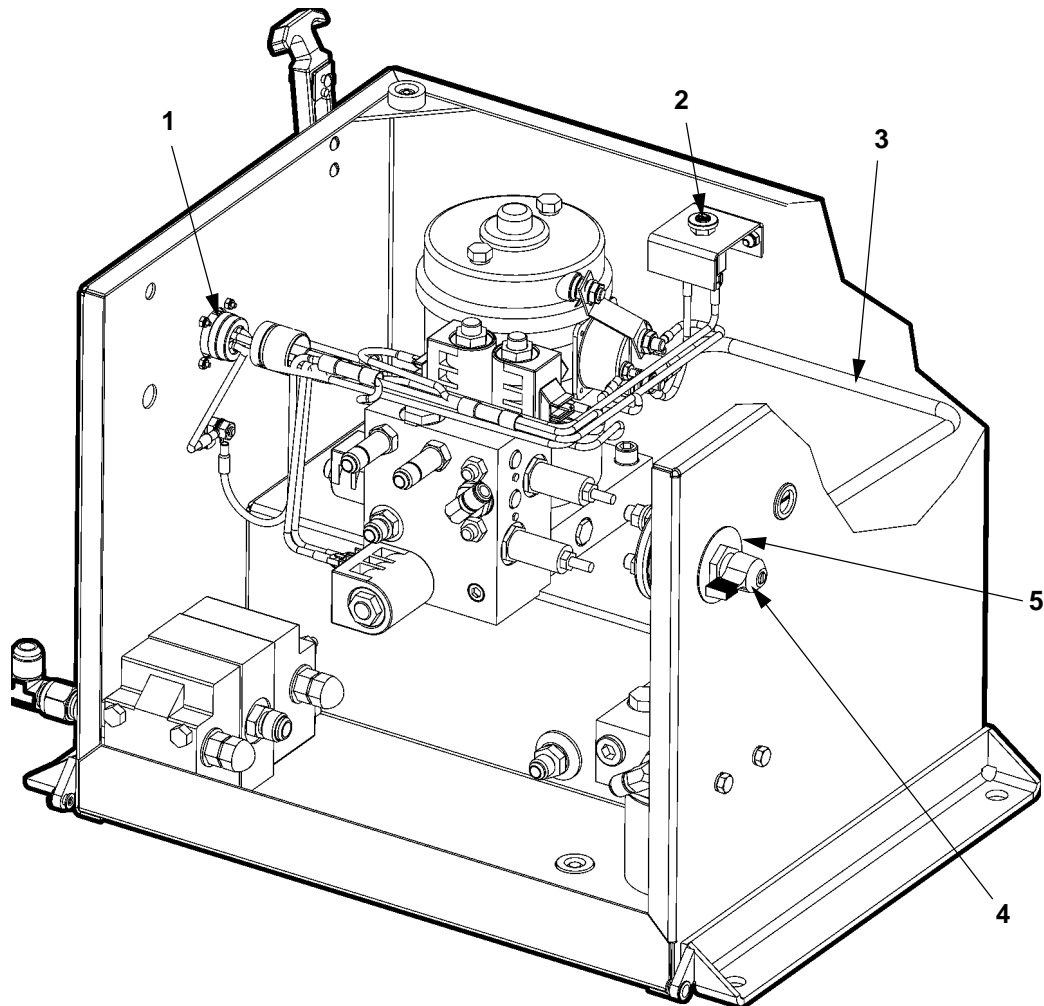


NOTE: MAXON recommends using dielectric grease on all electrical connections.

ITEM	QTY.	PART NO.	DESCRIPTION
1	1	280235	SOLENOID HARNESS, GRAVITY DOWN
		264255	SOLENOID HARNESS, POWER DOWN
2	1	264179	CIRCUIT BREAKER
3	1	264163	TOGGLE SWITCH, 2 POSITION
4	1	251871-20	CABLE ASSEMBLY
5	1	251871-14	CABLE ASSEMBLY
6	1	228754	SWITCH, MASTER DISCONNECT
7	1	228755	PLATE, SWITCH FACE

11921 Slauson Ave. Santa Fe Springs, CA. 90670 (800) 227-4116 FAX (888) 771-7713

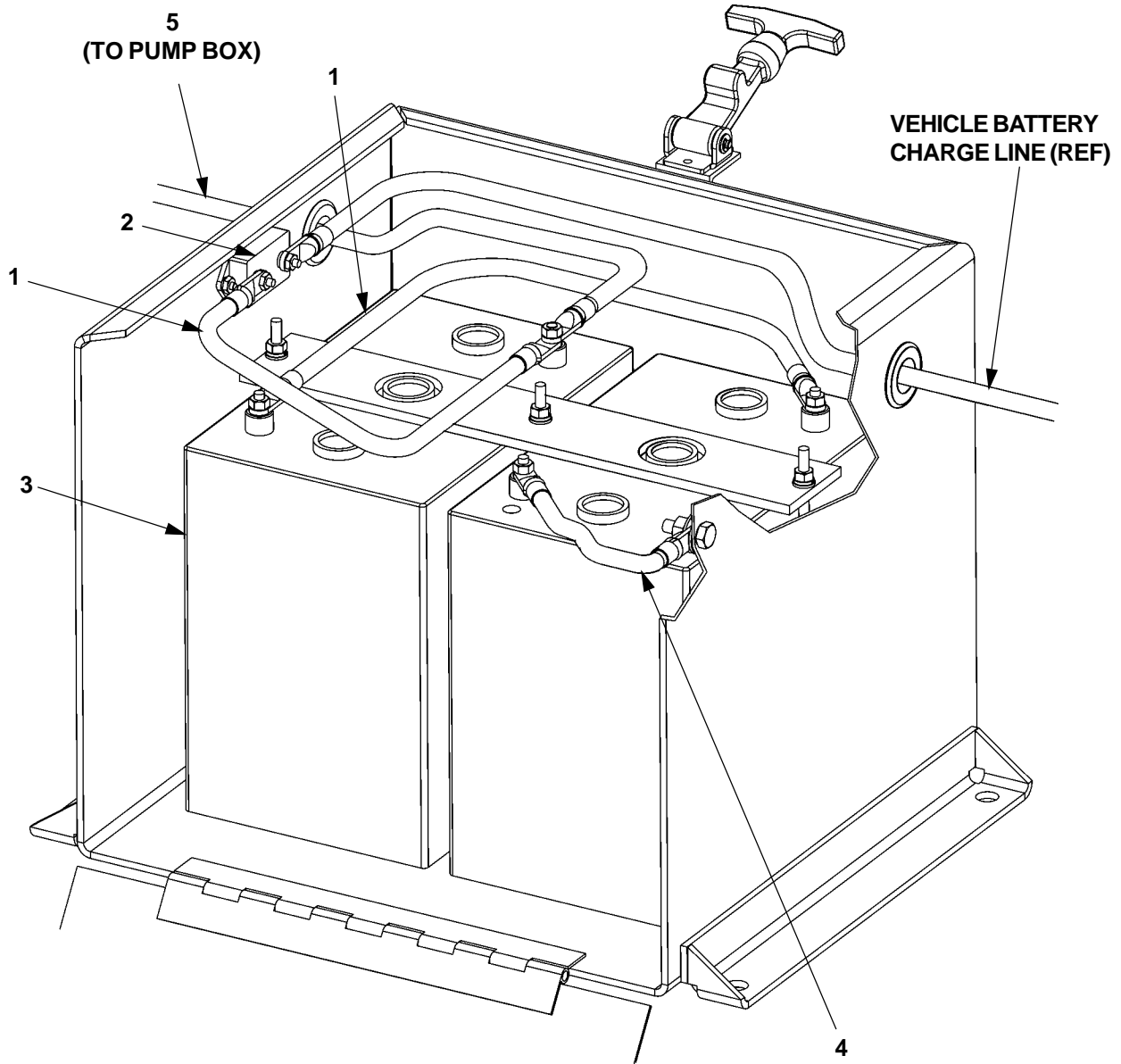
ELECTRICAL COMPONENTS - SINGLE PUMP BOX



NOTE: MAXON recommends using dielectric grease on all electrical connections.

ITEM	QTY.	PART NO.	DESCRIPTION
1	1	280225	SOLENOID HARNESS, GRAVITY DOWN
		280242	SOLENOID HARNESS, POWER DOWN
2	1	264179	CIRCUIT BREAKER
3	1	251871-12	CABLE ASSEMBLY
4	1	228754	SWITCH, MASTER DISCONNECT
5	1	228755	PLATE, SWITCH FACE

ELECTRICAL COMPONENTS - BATTERY BOX



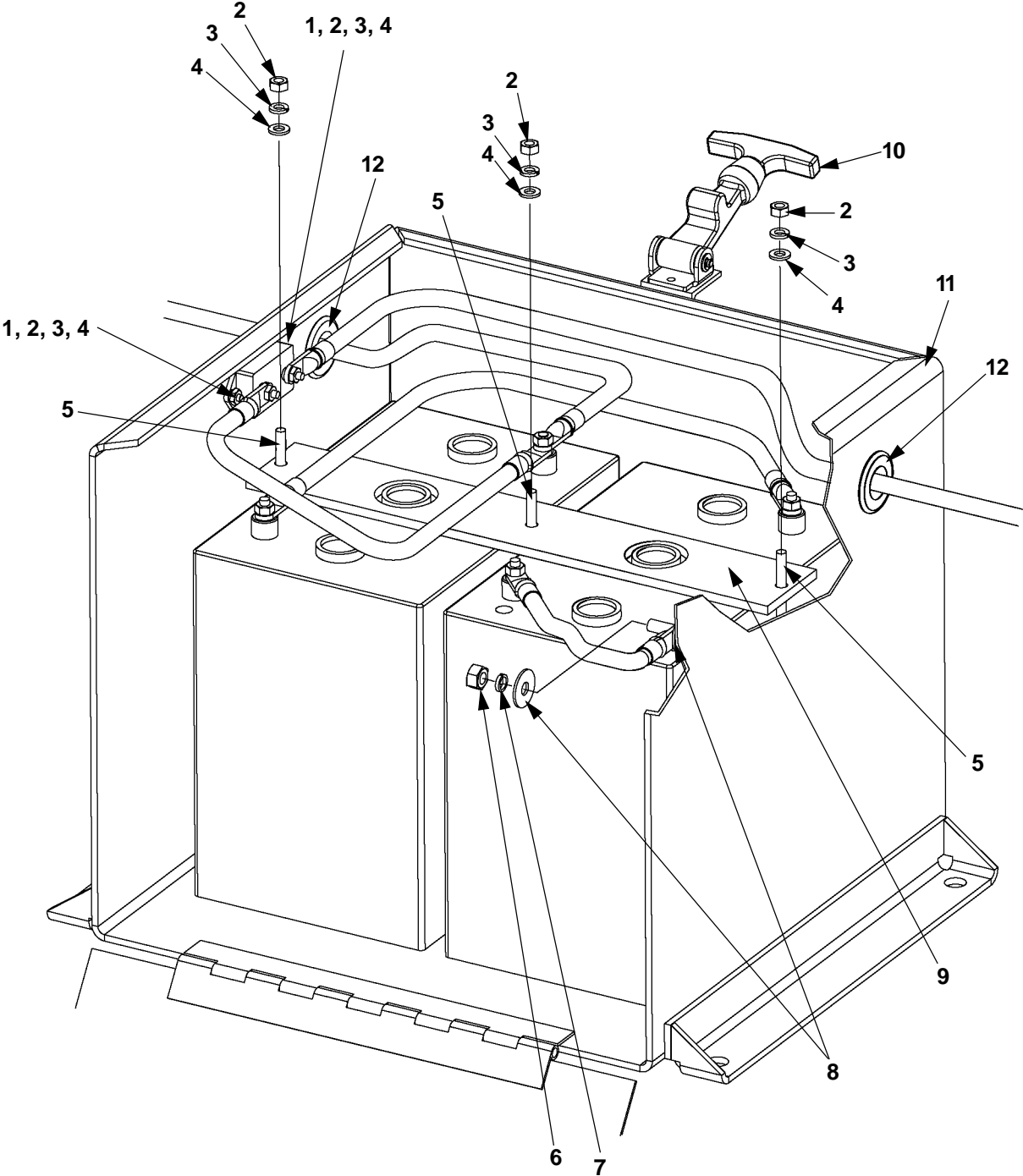
NOTE: MAXON recommends using dielectric grease on all electrical connections.

ITEM	QTY.	PART NO.	DESCRIPTION
1	2	251871-05	CABLE ASSEMBLY
2	1	221736	CIRCUIT BREAKER 150 AMP
3	2	250934	BATTERY, 6V HEAVY DUTY
4	1	251871-14	CABLE ASSEMBLY
5	1	251871-11	CABLE ASSEMBLY

11921 Slauson Ave. Santa Fe Springs, CA. 90670 (800) 227-4116 FAX (888) 771-7713

THIS PAGE INTENTIONALLY LEFT BLANK

BATTERY BOX



11921 Slauson Ave. Santa Fe Springs, CA. 90670 (800) 227-4116 FAX (888) 771-7713

BATTERY BOX

ITEM	QTY.	PART NO.	DESCRIPTION
1	2	900002-4	PAN HEAD SCREW 1/4"-20
2	5	901011-1	HEX NUT, 1/4"-20
3	5	902011-2	LOCK WASHER, 1/4"
4	7	902000-1	FLAT WASHER, 1/4"
5	3	227722	ROD, BATTERY HOLD DOWN
6	1	901005	HEX NUT, 5/16"-18
7	1	902011-3	LOCK WASHER, 5/16"
8	2	902000-7	FLAT WASHER, 5/16"
9	1	250479	BATTERY HOLD DOWN
10	1	215139	CATCH & FASTENER
11	1	264022	DUAL BATTERY BOX
12	2	251097	GROMMET, RUBBER 7/8 X 1-5/8

MAXON[®] 11921 Slauson Ave. Santa Fe Springs, CA. 90670 (800) 227-4116 FAX (888) 771-7713

