
PE-BMR-16-12

Table of Contents

Book Page	Page Number
Final Assembly	5
Final Assembly (Oct 2016 to Sept 2018)	7
Right Hand Column Assembly	9
Right Hand Runner Assembly	12
Left Hand Column Assembly	15
Left Hand Runner Assembly	18
Tandem Assembly with Rollers	21
Tandem Assembly with Slide Pad	23
Platform Flipover Chain Assembly ARR Steel	25
Platform Flipover Chain Assembly ARR Steel (Oct 2016 to Sept 2018)	28
Platform Flipover Chain Assembly ARR Grating	31
Platform Flipover Chain Assembly ARR Grating (Oct 2016 to Sept 2018)	34
Platform Flipover Chain Assembly Fixed Ramp Steel	37
Platform Flipover Chain Assembly Fixed Ramp Steel (Oct 2016 to Sept 2018)	39
Platform Flipover Chain Assembly CS Steel	41
Platform Flipover Chain Assembly CS Steel (Oct 2016 to Sept 2018)	43
Platform Flipover Chain Assembly ACS Steel	45
Platform Flipover Chain Assembly ACS Steel (Oct 2016 to Sept 2018)	47
Platform Assembly (Steel)	49

Platform Assembly Grating (Steel)	51
Flipover with Retention Ramp (Steel)	53
Flipover with Retention Ramp (Steel) (Oct 2016 to Sept 2018)	55
Flipover with Retention Ramp (Steel Grating)	57
Flipover with Retention Ramp (Steel Grating) (Oct 2016 to Sept 2018)	59
Flipover with Fixed Ramp (Steel)	61
Flipover with Fixed Ramp (Steel) (Oct 2016 to Sept 2018)	63
Flipover with Single Cart Stop (Steel)	65
Flipover with Dual Cart Stops (Steel)	68
Flipover with Dual Cart Stops (Steel) (Oct 2016 to Sept 2018)	71
Flipover with Auto Cart Stop (Steel)	74
Flipover with Auto Cart Stop (Steel) (Oct 2016 to Sept 2018)	76
Aluminum Retention Ramp Assembly (Steel Platform)	78
Platform Flipover Chain Assembly ARR Aluminum	80
Platform Flipover Chain Assembly ARR Aluminum (Oct 2016 to Sept 2018)	83
Platform Flipover Chain Assembly with Fixed Ramp Aluminum	86
Platform Flipover Chain Assembly with Fixed Ramp Aluminum (Oct 2016 to Sept 2018)	88
Platform Flipover Chain Assembly with ACS Aluminum	91
Platform Flipover Chain Assembly with ACS Aluminum (Oct 2016 to Sept 2018)	93
Platform Flipover Chain Assembly with DCS Aluminum	95
Platform Assembly (Aluminum)	97
Flipover Assembly with ARR (Aluminum)	100
Flipover Assembly with ARR (Aluminum) (Oct 2016 to Sept 2018)	102

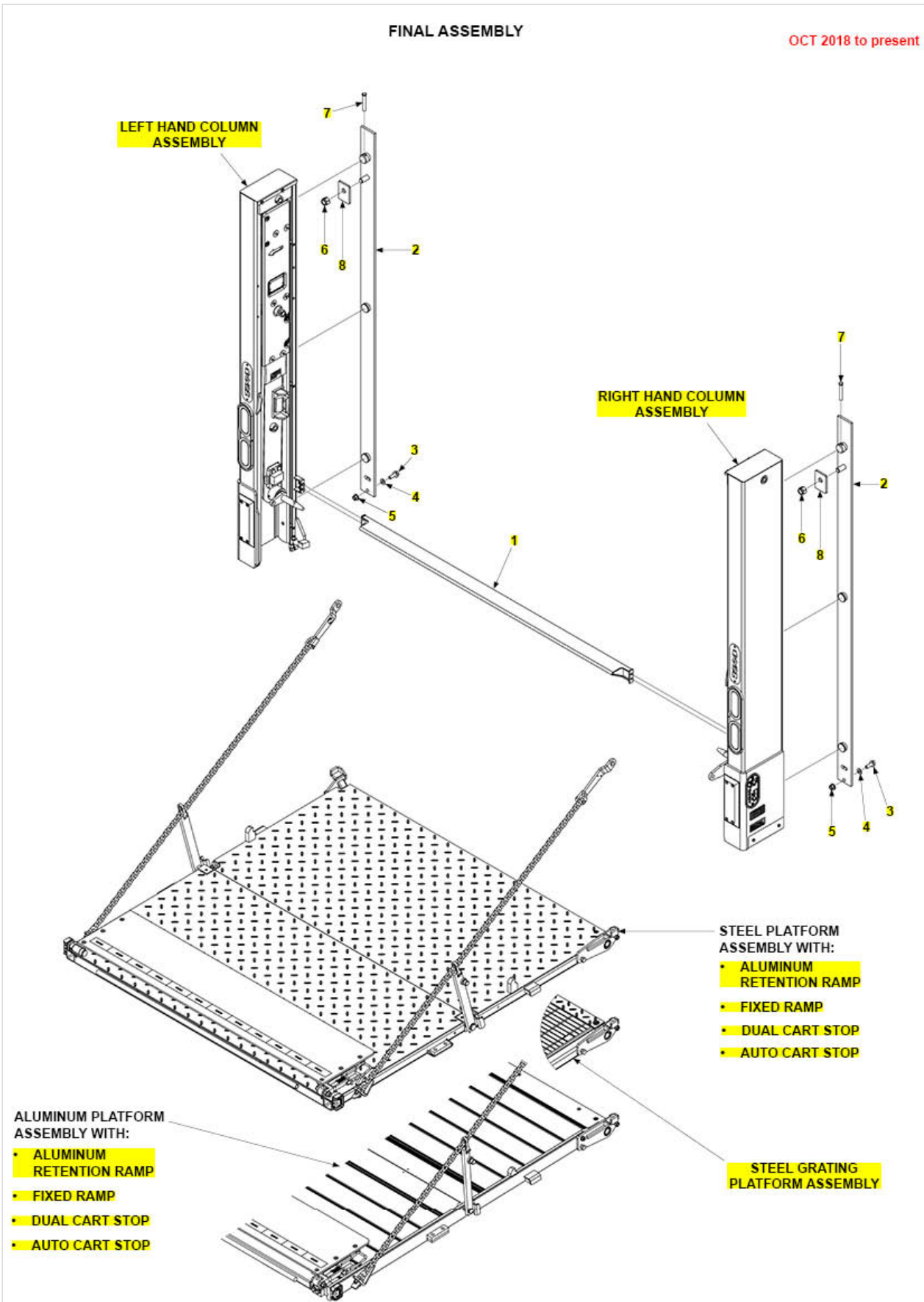
Flipover Assembly with Fixed Ramp (Aluminum)	105
Flipover Assembly with Fixed Ramp (Aluminum) (Oct 2016 to Sept 2018)	107
Flipover Assembly with Auto Cart Stop (Aluminum)	109
Flipover Assembly with Auto Cart Stop (Aluminum) (Oct 2016 to Sept 2018)	111
Flipover Assembly with Dual Cart Stops (Aluminum)	113
Aluminum Retention Ramp (For Aluminum Platform)	115
Left Hand Chain Assembly	117
Left Hand Chain Assembly (Oct 2016 to Sept 2018)	119
Right Hand Chain Assembly	121
Right Hand Chain Assembly (Oct 2016 to Sept 2018)	123
Hydraulic Systems - GD	125
Hydraulic Systems - GD (Oct 2016 - Feb 2017)	129
Hydraulic Systems - PD	133
Hydraulic Systems - PD (Oct 2016 - Feb 2017)	137
Pump Cover and Mounting Plate Assembly	141
Pump Cover Mounting Plate (Oct 2016 - Feb 2017)	143
Pump Assembly - Gravity Down	145
Pump Assembly - Gravity Down (Oct 2016 - Feb 2017)	147
Pump Assembly - Power Down	149
Pump Assembly - Power Down (Oct 2016 - Feb 2017)	151
Valve Assembly - GD	153
MTE or Bucher Power Unit GD	155
12 Volt DC Power Unit - GD	157
12 Volt DC Power Unit - GD (Oct 2016 - Feb 2017)	159
12 Volt DC Power Unit - PD	161
12 Volt DC Power Unit - PD (Oct 2016 - Feb 2017)	163
MTE or Bucher Power Unit PD	165

Valve Assembly - PD	167
MTE or Bucher Motor	169
12 Volt DC Secondary Power	171
12 Volt DC Secondary Power (Oct 2016 - Feb 2017)	173
Electrical Systems	175
Electrical Systems (Oct 2016 - Feb 2017)	177
Electrical Comp - Pump Assy	179
Electrical Comp - Pump Assy (Oct 2016 - Feb 2017)	181
Electrical Components - Pump Assembly	183
12 Volt Battery Connection	185
Optional Battery Box Assembly	187
Optional Battery Box	189
Decals	191

SPARE PARTS LIST
BMR 3300 4400 5500 6600

FINAL ASSEMBLY

OCT 2018 to present



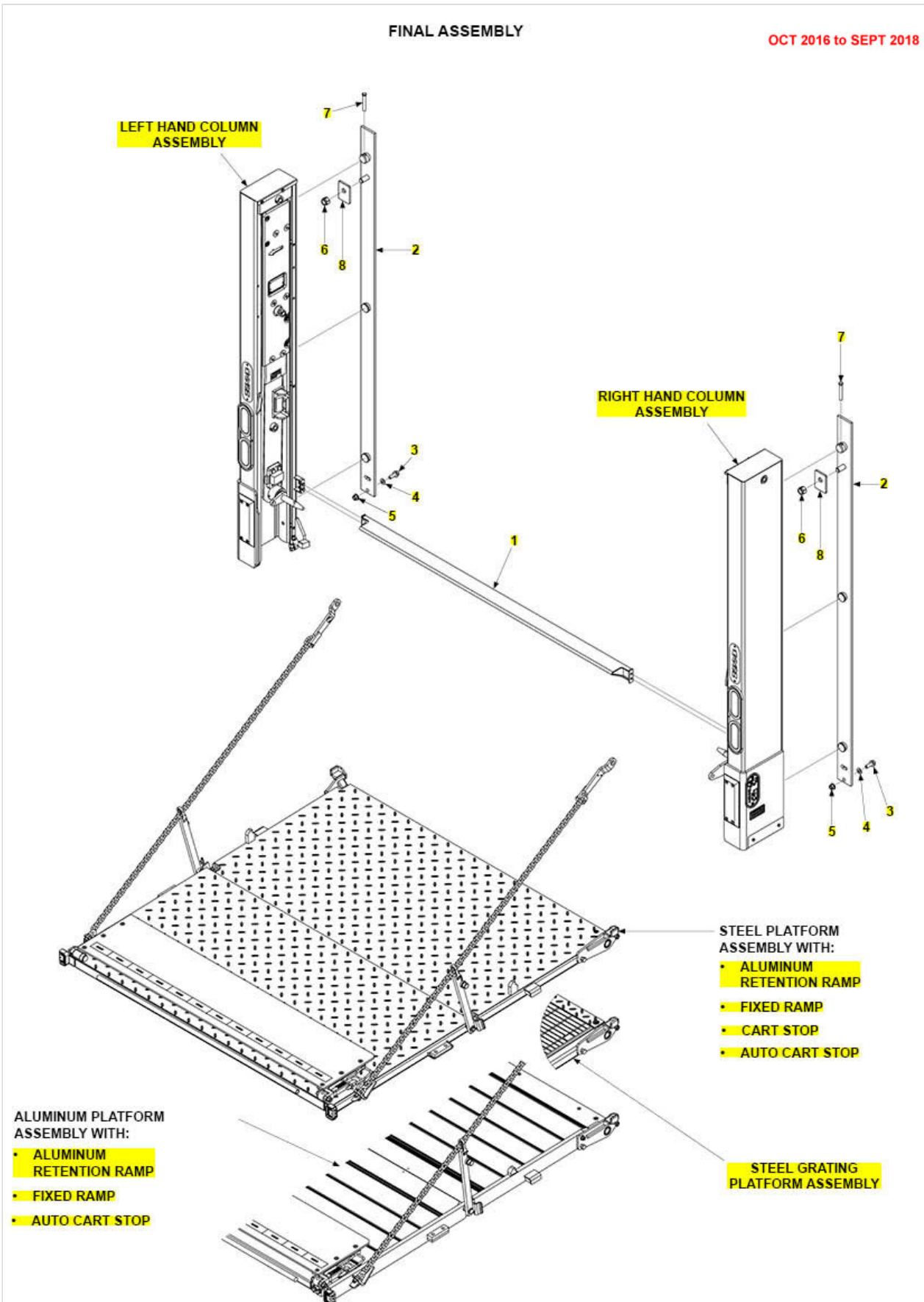
SPARE PARTS LIST
BMR 3300 4400 5500 6600

Pos	CPN	Qty	Description
1	288790-01G-800	1	EXT PL WLDMT, BMR, WELD-ON,ST,G
1	288790-101-800	1	EXT PLT WLDMT, BMR, WELD-ON, SST
1	288790-11G-800	1	EXT PLT WLDMT, BMRW, WELD-ON, ST, G
1	288790-111-800	1	EXT PLT WLDMT, BMRW, WELD-ON, SST
1	288790-21	1	EXT PLT WLDMT,BMR,BOLT-ON,ST
1	288790-121	1	EXT PLT WLDMT,BMR,BOLT-ON,SST
1	288790-21-500	1	EXT PLT WLDMT, BMR, BOLT-ON, ST, PRIMER
1	288790-31	1	EXT PLT WLDMT,BMRW,BOLT-ON,ST
1	288790-131	1	EXT PLT WLDMT,BMRW,BOLT-ON,SST
1	288790-31-500	1	EXT PLT WLDMT, BMRW, BOLT-ON, ST, PRIMER
2	286290-01	2	UNIT MOUNTING PLATE WELDMENT, STEEL
2	286290-11	2	UNIT MOUNTING PLATE WELDMENT, STAINLESS STEEL
2	286290-21	2	UNIT MOUNTING PLATE WELDMENT, STEEL, PRIMER
3	901615-03	2	HEX FLANGE BOLT, 5/8"-11 X 1-3/4" LG.
4	902013-15	2	FLAT WASHER, 5/8"
5	901023-04	2	FLANGE LOCK NUT, 5/8"-11
6	903159-01	2	NYLON STOP NUT, 1"-8
7	905381-01	2	HEX CAP SCREW, FULL THREAD, 5/8"-11 X 4" LG.
8	286295-01	2	GUSSET

SPARE PARTS LIST
BMR 3300 4400 5500 6600
 (Oct 2016 to Sept 2018)

FINAL ASSEMBLY

OCT 2016 to SEPT 2018



ALUMINUM PLATFORM ASSEMBLY WITH:

- ALUMINUM RETENTION RAMP
- FIXED RAMP
- AUTO CART STOP

STEEL PLATFORM ASSEMBLY WITH:

- ALUMINUM RETENTION RAMP
- FIXED RAMP
- CART STOP
- AUTO CART STOP

STEEL GRATING PLATFORM ASSEMBLY

SPARE PARTS LIST
BMR 3300 4400 5500 6600
 (Oct 2016 to Sept 2018)

Pos	CPN	Qty	Description
2	286290-01	2	UNIT MOUNTING PLATE WELDMENT, STEEL
2	286290-11	2	UNIT MOUNTING PLATE WELDMENT, STAINLESS STEEL
2	286290-21	2	UNIT MOUNTING PLATE WELDMENT, STEEL, PRIMER
3	901615-03	2	HEX FLANGE BOLT, 5/8"-11 X 1-3/4" LG.
4	902013-15	2	FLAT WASHER, 5/8"
5	901023-04	2	FLANGE LOCK NUT, 5/8"-11
6	903159-01	2	NYLON STOP NUT, 1"-8
7	905381-01	2	HEX CAP SCREW, FULL THREAD, 5/8"-11 X 4" LG.
8	286295-01	2	GUSSET
1	288790-01G-800	1	EXT PL WLDMT, BMR, WELD-ON,ST,G
1	288790-101-800	1	EXT PLT WLDMT, BMR, WELD-ON, SST
1	288790-11G-800	1	EXT PLT WLDMT, BMRW, WELD-ON, ST, G
1	288790-111-800	1	EXT PLT WLDMT, BMRW, WELD-ON, SST
1	288790-21	1	EXT PLT WLDMT,BMR,BOLT-ON,ST
1	288790-121	1	EXT PLT WLDMT,BMR,BOLT-ON,SST
1	288790-21-500	1	EXT PLT WLDMT, BMR, BOLT-ON, ST, PRIMER
1	288790-31	1	EXT PLT WLDMT,BMRW,BOLT-ON,ST
1	288790-131	1	EXT PLT WLDMT,BMRW,BOLT-ON,SST
1	288790-31-500	1	EXT PLT WLDMT, BMRW, BOLT-ON, ST, PRIMER

SPARE PARTS LIST

BMR 3300 4400 5500 6600

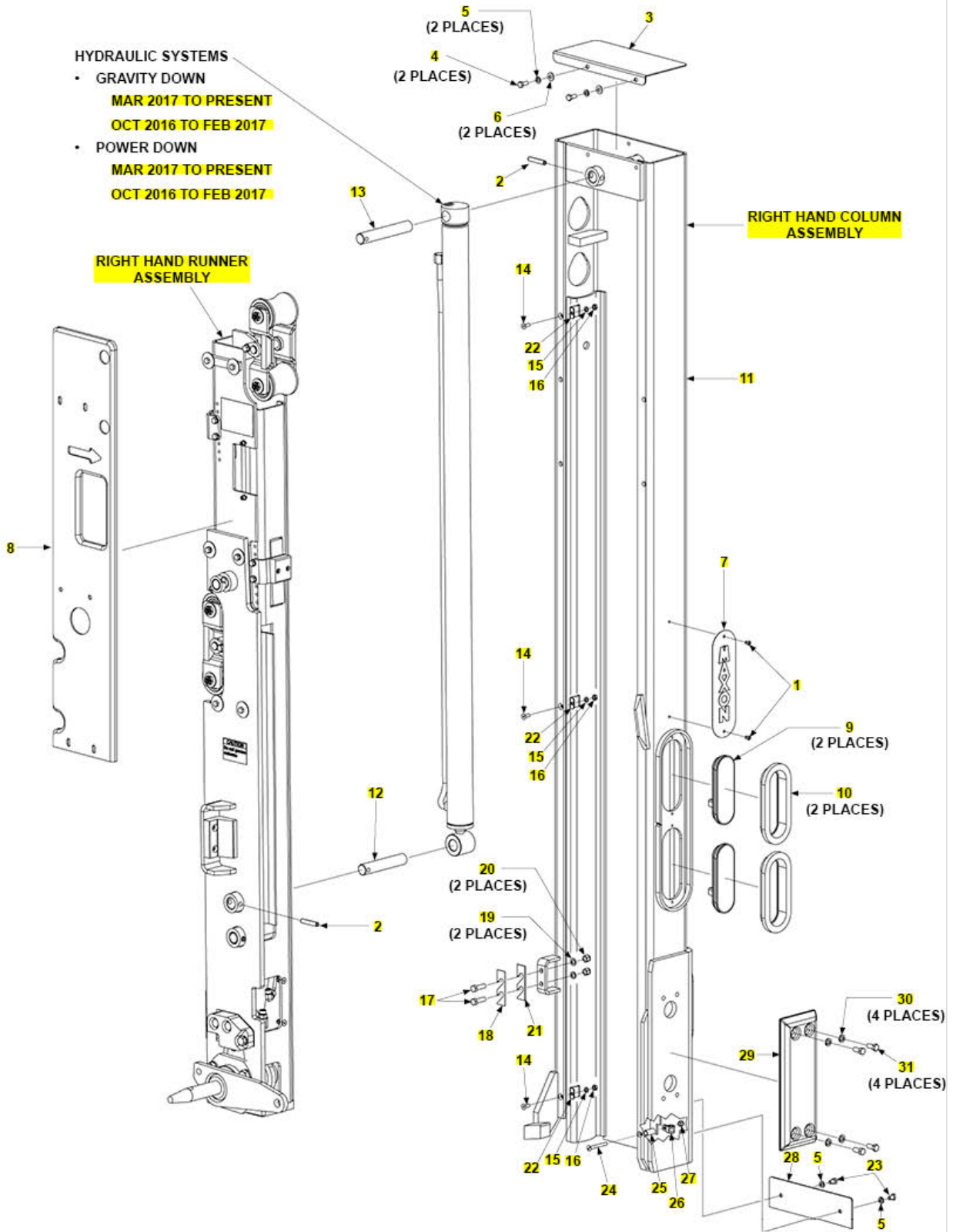
RIGHT HAND COLUMN ASSEMBLY

OCT 2016 to present

NOTE: Most hydraulic components not shown for clarity. Refer to HYDRAULIC SYSTEMS for hydraulic system parts.

- HYDRAULIC SYSTEMS
- GRAVITY DOWN
MAR 2017 TO PRESENT
OCT 2016 TO FEB 2017
 - POWER DOWN
MAR 2017 TO PRESENT
OCT 2016 TO FEB 2017

RIGHT HAND RUNNER ASSEMBLY



SPARE PARTS LIST
BMR 3300 4400 5500 6600

Pos	CPN	Qty	Description
REF	296320-01G	1	COL ASSY BMR44,RH,12V,GALVANIZED,G/D,WITH ROLLERS
REF	296320-11G	1	COL ASSY BMR44,RH,12V,GALVANIZED,P/D,WITH ROLLERS
REF	296320-02G	1	COL ASSY BMR66,RH,12V,GALVANIZED,G/D,WITH ROLLERS
REF	296320-12G	1	COL ASSY BMR66,RH,12V,GALVANIZED,P/D,WITH ROLLERS
REF	296320-11G-100	1	COL ASSY BMR44,RH,12V,GALVANIZED,P/D,W/SLIDE PADS
REF	296320-12G-100	1	COL ASSY BMR66,RH,12V,GALVANIZED,P/D,W/SLIDE PADS
1	904005-2	2	RIVET,BLIND SSTL DOME.187X.565
2	904717-06	2	ROLL PIN, 3/8" X 2" LG.
3	295744-12	1	COVER, COLUMN TOP (GALVANIZED)
4	901602-04	2	BOLT, HEX, 5/16"-18 X 3/4" LG.
5	902019-4	4	LOCK WASHER, 9/16" O.D. X 5/16" I.D.
6	903409-02	2	FENDER WASHER, 3/4" O.D. X 5/16" I.D.
7	260478	1	MAXON VERTICAL PLATE, 3" X 10-1/8" LG.
8	286327-01	1	COLUMN COVER, RH
9	285371-02	2	LED LIGHT, OVAL, RED
10	261687-01	2	GROMMET
11	286241-01G	1	COLUMN WELDMENT, RH (GALVANIZED)
12	268068-05	1	PIN, STAINLESS STEEL, 1" O.D. X 5-3/8" LG.
13	268068-06	1	PIN, STAINLESS STEEL, 1" O.D. X 5-7/8" LG.
14	900711-03	3	CAP SCREW, FLAT HEAD, 1/4"-20 x 3/4" LG.
15	902019-3	3	LOCK WASHER, 1/2" O.D. X 1/4" I.D.
16	903107-03	3	HEX NUT, 1/4"-20

SPARE PARTS LIST
BMR 3300 4400 5500 6600

Pos	CPN	Qty	Description
17	900014-5	2	HEX CAP SCREW, 3/8"-16 X 1-1/4" LG.
18	288799-01	1	SPACER, 1/16" THICK
19	903447-02	2	FLAT WASHER, 3/8" O.D. X 1/16" THICK
20	903134-01	2	NYLON NUT, INSRT STOP 3/8"-16
21	288799-02	1	SPACER, 1/32" THICK
22	286276-01	3	CLAMP
23	900009-4	1	CAP SCREW, 5/16"-18 X 1/2" LG.
24	260299	1	SLOTTED SCREW, FLAT, 1/4"-20 X 2-1/2" LG.
25	298101-01	1	NYLON TUBE BUSHING DIA .63 O.D., DIA .38 X 1.44 LG
26	224006	1	RUBBER LOOM CLAMP, #6
27	901000	1	NYLON NUT, 1/4"-20
28	286265-01	1	COVER
29	297131-01	1	BMR LOADING DOCK BUMPER
30	902019-5	4	LOCK WASHER, 11/16" O.D. X 3/8"
31	900764-05	4	SCREW, HEX CAP .38-16X.88, SS

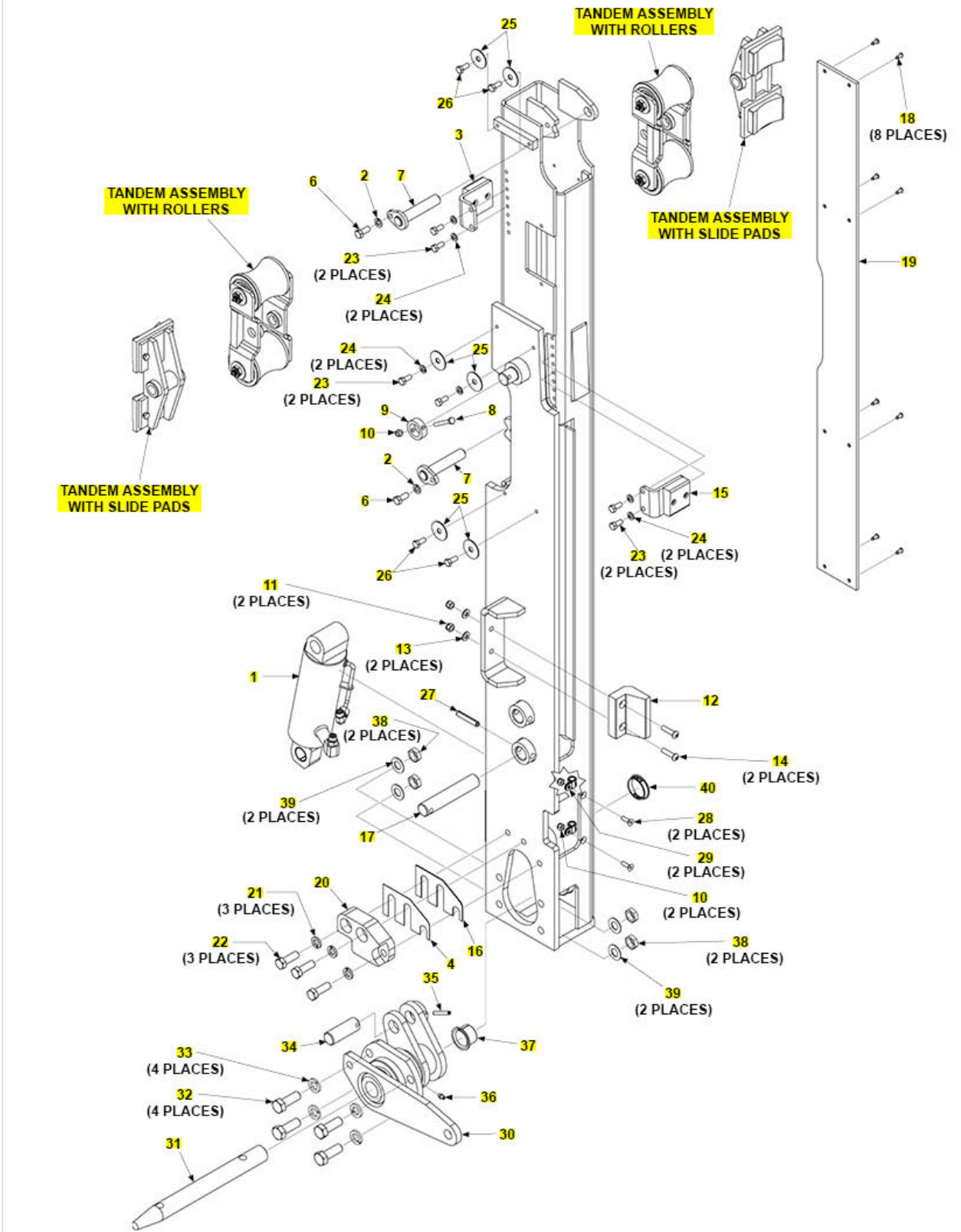
SPARE PARTS LIST

BMR 3300 4400 5500 6600

RIGHT HAND RUNNER ASSEMBLY

OCT 2016 to present

COMPLETE ASSEMBLY:
RIGHT HAND RUNNER ASSEMBLY



SPARE PARTS LIST
BMR 3300 4400 5500 6600

Pos	CPN	Qty	Description
1	286281-01	1	CYLINDER ASSEMBLY, 2-3/4" X 5-1/4" X 1-1/8"
2	902011-4	2	LOCK WASHER, 3/8"
3	287433-02	1	UPPER PAD ASSEMBLY, RH RUNNER
4	286759-02	1	SPACER, 1/32" THICK
6	900764-05	2	HEX HEAD CAP SCREW, 3/8"-16 X 7/8" LG.
7	280067	2	ARM WELDMENT
8	900004-8	1	CAP SCREW, 1/4"-20 X 2" LG.
9	269227-01	1	PIN COLLAR
10	903137-01	3	NYLON LOCK NUT, 1/4"-20
11	903106-10	2	NYLON LOCK NUT, 5/16"-18
12	288940-01	1	BUMPER, PLATFORM STOP
13	902013-10	2	FLAT WASHER, 5/16"
14	900001-4	2	BUTTON HEAD SCREW, 5/16"-18 X 1-1/4" LG.
15	287434-02	1	LOWER PAD SUPPORT ASSEMBLY
16	286759-01	1	SPACER, 1/16" THICK
17	268068-05	1	PIN, 1" O.D. X 5-3/8" LG.
18	904005-2	8	POP RIVET, 3/16" X 9/16" LG.
19	253543	1	PAD
20	286226-02	1	HOLDER, RUNNER RH, CASTING, BLACK
21	902011-6	3	LOCK WASHER, 1/2" X 1/8"
22	900035-3	3	CAP SCREW, HEX HEAD 1/2"-13 X 1-1/2" LG.
23	901602-04	6	HEX BOLT, 5/16"-18 X 3/4" LG.
24	902019-4	6	LOCK WASHER, 9/16" X 5/16"
25	902008	6	FENDER WASHER, 1-1/2" X 13/32" X 1/16"
26	901602-05	4	BOLT, HEX .313-18X.88,18-8 SS
27	904717-06	1	ROLL PIN, 3/8" X 2" LG.
28	900711-04	2	SOCKET SCREW, FLUSH 1/4"-20 X 7/8" LG.
29	224006	2	CLAMP, RUBBER LOOM, #6
30	286315-01	1	PLATFORM FOLDING ARMATURE
31	280103	1	PIN, 13" LG.

SPARE PARTS LIST
BMR 3300 4400 5500 6600

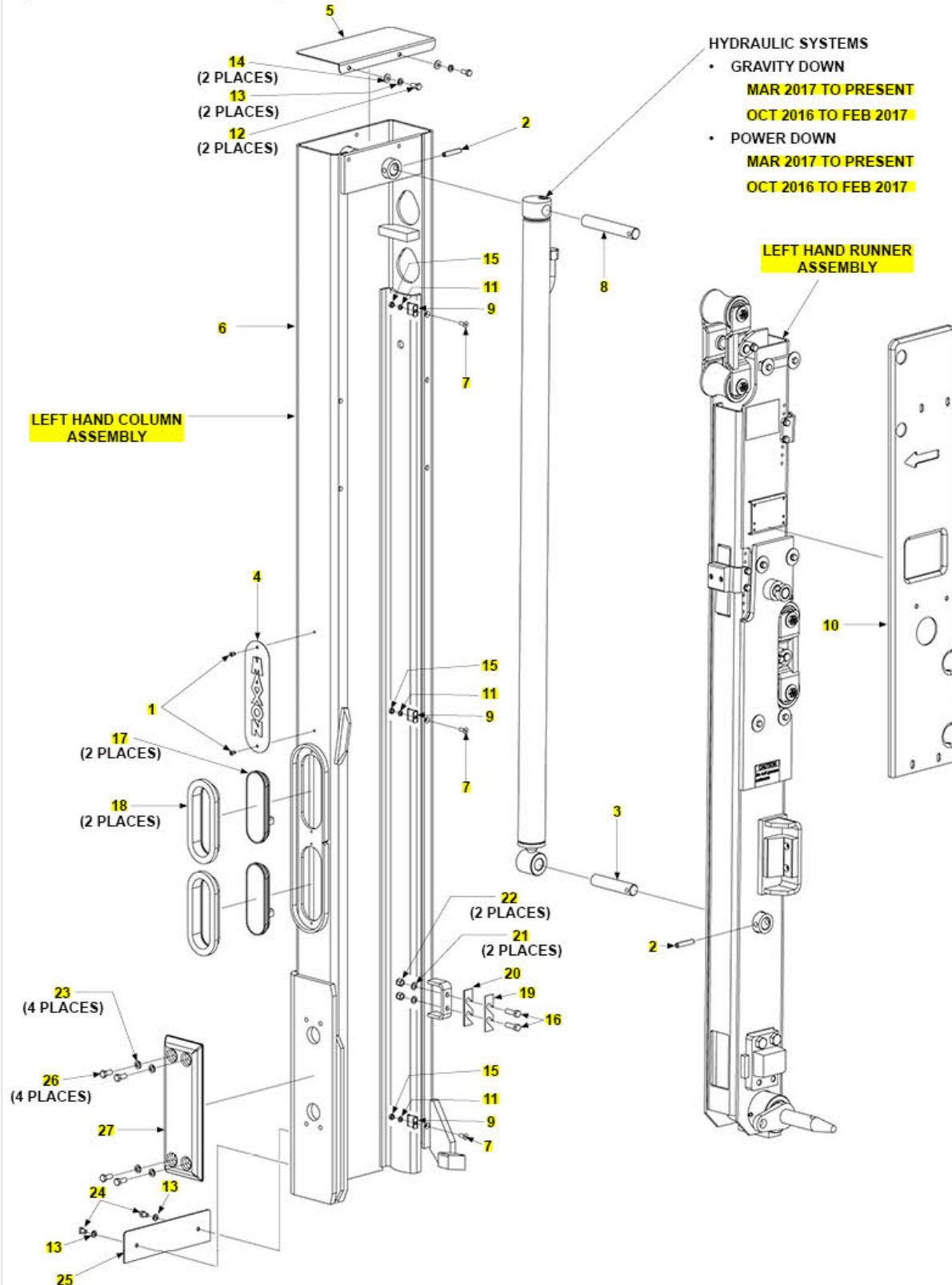
Pos	CPN	Qty	Description
32	900055-03	4	HEX HEAD SCREW, 5/8"-11 X 1-3/4" LG.
33	902011-8	4	LOCK WASHER, 5/8" X 3/16" THICK
34	286269-01	1	PIN, 1" O.D. X 2-3/4" LG.
35	905033-4	1	ROLL PIN, 1/4" O.D. X 1-3/4" LG.
36	224342	1	GREASE FITTING
37	908007-06	1	BEARING, FLNGD 1.25SHFT, .75LG
38	030331	4	JAM NUT, 5/8"-11
39	902000-18	4	FLAT WASHER, 5/8" X 1/16" THICK
40	908081-09	1	PLUG, NYLON
REF	286325-01G	1	RH RUNNER ASSEMBLY WITH ROLLERS (GALVANIZED)
REF	286325-01G-100	1	RH RUNNER ASSEMBLY WITH SLIDE PAD (GALVANIZED)

SPARE PARTS LIST
BMR 3300 4400 5500 6600

LEFT HAND COLUMN ASSEMBLY

OCT 2016 to present

NOTE: Most hydraulic components not shown for clarity. Refer to **HYDRAULIC SYSTEMS** for hydraulic system parts.



SPARE PARTS LIST
BMR 3300 4400 5500 6600

Pos	CPN	Qty	Description
REF	286215-01G	1	COL ASSY BMR44,LH,12V,GALVANIZED, WITH ROLLERS
REF	286215-02G	1	COL ASSY BMR66,LH,12V,GALVANIZED, WITH ROLLERS
REF	286215-01G-100	1	COL ASSY BMR44,LH,12V,GALVANIZED, W/SLIDE PADS
REF	286215-02G-100	1	COL ASSY BMR66,LH,12V,GALVANIZED, W/SLIDE PADS
1	904005-2	2	RIVET,BLIND SSTL DOME.187X.565
2	904717-06	2	ROLL PIN, 3/8" X 2" LG.
3	268068-07	1	PIN, STAINLESS STEEL, 1" O.D. X 4-5/16" LG.
4	260478	1	MAXON VERTICAL PLATE, 3" X 10-1/8" LG.
5	295744-11	1	COLUMN COVER, TOP (GALVANIZED)
6	286221-01G	1	COLUMN WELDMENT, LH (GALVANIZED)
7	900711-03	3	SOCKET SCREW, FLUSH, 1/4"-20 X 3/4" LG.
8	268068-06	1	PIN, STAINLESS STEEL, 1" O.D. X 5-7/8" LG.
9	286276-01	3	CLAMP
10	286326-01	1	COLUMN COVER, LH
11	902019-3	3	LOCK WASHER, 1/2" O.D. X 1/4" I.D.
12	901602-04	2	HEX BOLT, 5/16"-18 X 3/4" LG.
13	902019-4	4	LOCK WASHER, 9/16" O.D. X 5/16" I.D.
14	903409-02	2	FENDER WASHER, 3/4" O.D. X 5/16" I.D.
15	903107-03	3	HEX NUT, 1/4"-20
16	900014-5	2	HEX HEAD CAP SCREW, 3/8"-16 X 1-1/4" LG.
17	285371-02	2	LAMP, LED S/T&T, OVAL,TRK-LITE
18	261687-01	2	GROMMET
19	288799-02	1	SPACER, 1/32" THICK
20	288799-01	1	SPACER, 1/16" THICK
21	903447-02	2	FLAT WASHER, 3/8" O.D. X 1/16" THICK
22	903134-01	2	NYLON LOCK NUT, 3/8"-16
23	902019-5	4	LOCK WASHER, 11/16" O.D. X 3/8" I.D.

17/12/2018

Spare Parts

SPARE PARTS LIST
BMR 3300 4400 5500 6600

Pos	CPN	Qty	Description
24	900009-4	2	CAP SCREW, 5/16"-18 X 1/2" LG.
25	286265-01	1	COVER
26	900764-05	4	SCREW, HEX CAP .38-16X.88, SS
27	297131-01	1	BMR LOADING DOCK BUMPER

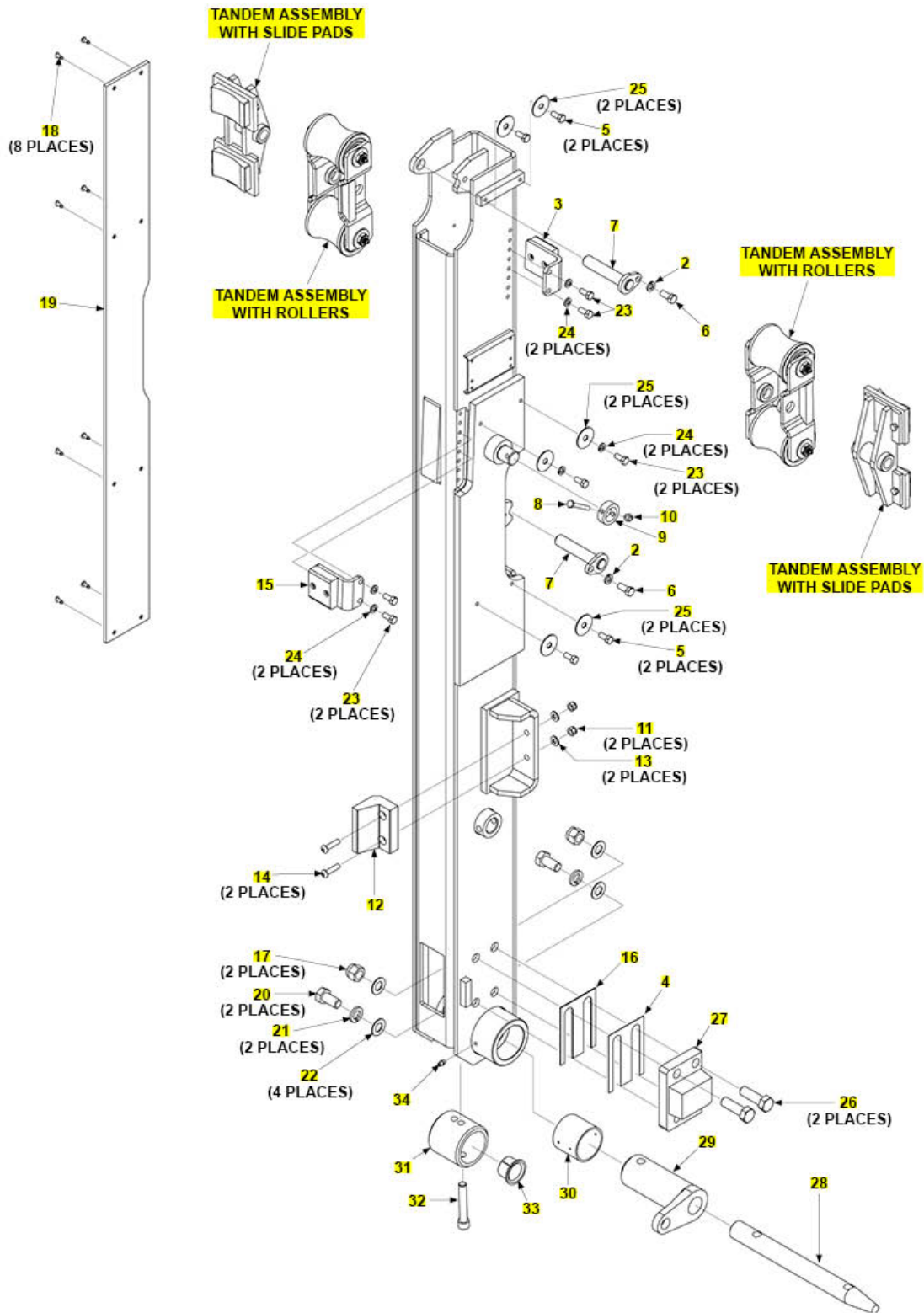
SPARE PARTS LIST
BMR 3300 4400 5500 6600

LEFT HAND RUNNER ASSEMBLY

OCT 2016 to present

COMPLETE ASSEMBLY:

LEFT HAND RUNNER ASSEMBLY



SPARE PARTS LIST
BMR 3300 4400 5500 6600

Pos	CPN	Qty	Description
1	286261-01G	1	LH RUNNER (GALVANIZED)
2	902011-4	1	LOCK WASHER, 3/8"
3	287433-01	1	UPPER PAD ASSEMBLY, LH RUNNER
4	288798-02	1	SPACER, 1/32" THICK
5	901602-05	1	BOLT, HEX .313-18X.88,18-8 SS
6	900764-05	1	HEX HEAD CAP SCREW, 3/8"-16 X 7/8" LG.
7	280067	1	ARM WELDMENT
8	900004-8	1	CAP SCREW, 1/4"-20 X 2" LG.
9	269227-01	1	PIN COLLAR
10	903137-01	1	NYLON LOCK NUT, 1/4"-20
11	903106-10	1	NYLON LOCK NUT, 5/16"-18
12	288940-01	1	BUMPER, PLATFORM STOP
13	902013-10	1	FLAT WASHER, 5/16"
14	900001-4	1	BUTTON HEAD SCREW, 5/16"-18 X 1-1/4" LG.
15	287434-01	1	LOWER PAD ASSEMBLY, LH RUNNER
16	288798-01	1	SPACER, 1/16" THICK
17	040156	1	LOCK NUT, 5/8"-11
18	904005-2	1	POP RIVET, 3/16" X 9/16" LG.
19	253543	1	PAD
20	900055-1	1	HEX HEAD SCREW, 5/8"-11 X 1-1/4" LG.
21	902019-9	1	LOCK WASHER, 1-1/16" O.D. X 5/8 I.D.
22	902000-18	1	FLAT WASHER, 5/8" X 1/16" THICK
23	901602-04	1	HEX BOLT, 5/16"-18 X 3/4" LG. X 2" LG.
24	902019-4	1	LOCK WASHER, 9/16" X 5/16"
25	902008	1	FENDER WASHER, 1-1/2" X 13/32" X 1/16"
26	900055-04	1	HEX HEAD SCREW, 5/8"-11
27	288795-01G	1	BLOCK WLDMT, RUNNER LH, GALV
28	280103	1	PIN, 13" LG.
29	280623-01	1	LH COUPLING, MACHINED
30	908011-01	1	BEARING, 2-1/2" O.D. X 2-1/4" I.D. X 2-1/8" LG.

SPARE PARTS LIST
BMR 3300 4400 5500 6600

Pos	CPN	Qty	Description
31	253696	1	PIN COLLAR, 2-5/16" I.D. X 2-3/4" LG.
32	900037-11	1	SCREW, SOC. HD 1/2-20X3 GR8 ZC
33	908007-04	1	BEARING, FLNGD 1.25SHFT,1"LG
34	224342	1	GREASE FITTING, 1/4", SELF DRILLING
REF	286235-01G	1	LH RUNNER ASSEMBLY WITH ROLLERS (GALVANIZED)
REF	286235-01G-100	1	LH RUNNER ASSEMBLY WITH SLIDE PADS (GALVANIZED)

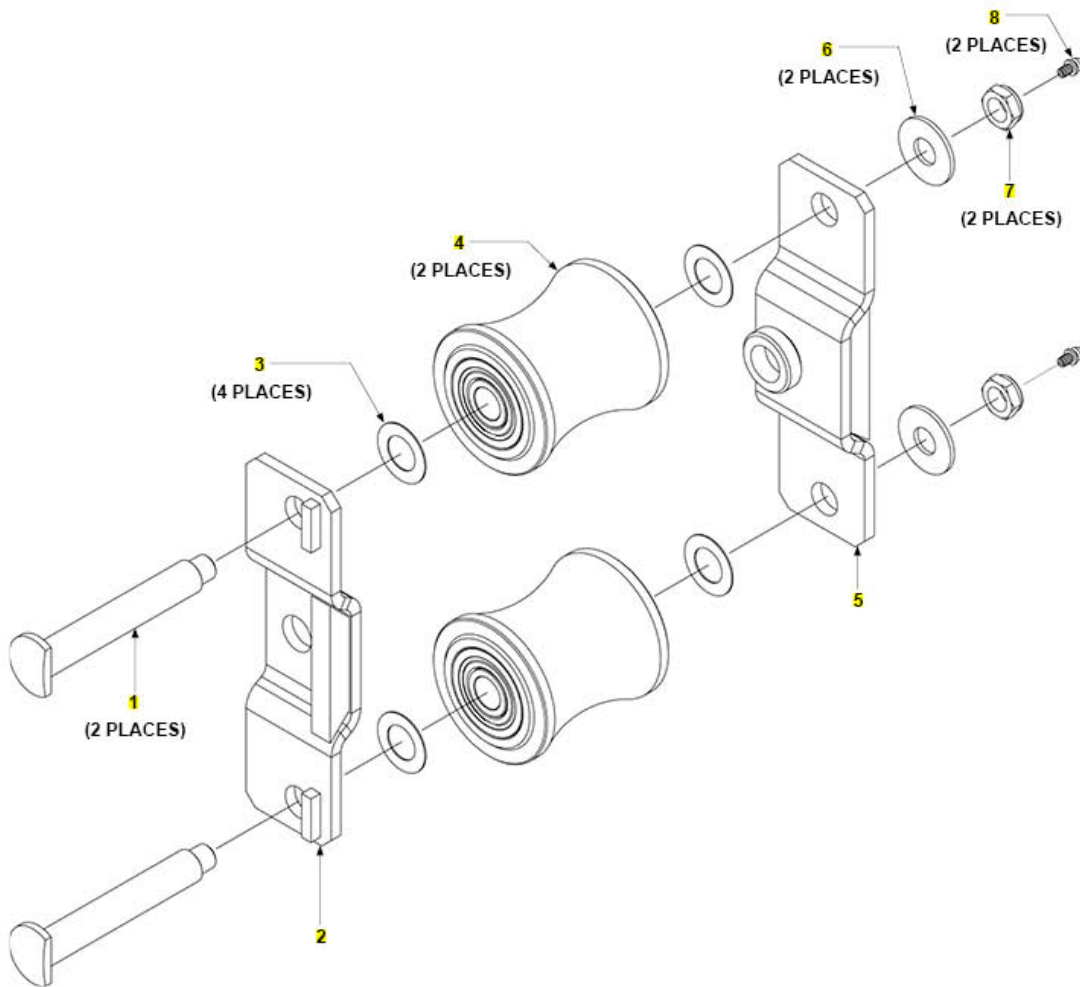
SPARE PARTS LIST
BMR 3300 4400 5500 6600

TANDEM ASSEMBLY WITH ROLLERS

OCT 2016 to present

COMPLETE ASSEMBLY:

TANDEM ASSEMBLY WITH ROLLERS



SPARE PARTS LIST
BMR 3300 4400 5500 6600

Pos	CPN	Qty	Description
1	286289-01	2	ROLLER AXEL
2	288956-01	1	OUTER BRACKET
3	261182	1	FLAT WASHER, .72" I.D. X 1-1/4" O.D. STAINLESS STEEL
4	268899-01	1	ROLLER
5	286308-01	1	INNER BRACKET
6	902014	1	FLAT WASHER, 5/8" I.D. X 1-3/8" O.D.
7	901016-1	1	LOCK NUT, THIN HEAD, 1/2"-20
8	268264-02	1	GREASE FITTING, DRIVE-IN, 3/16"
REF	286234-01	1	TANDEM ASSEMBLY, BMRB

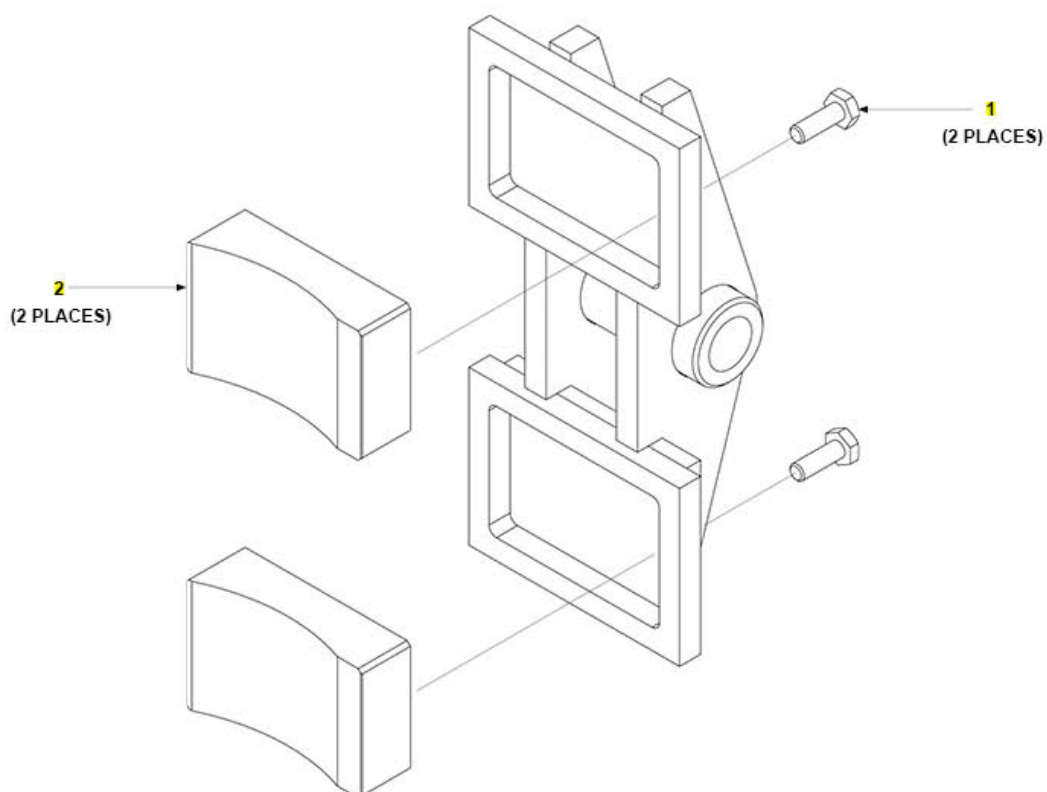
SPARE PARTS LIST
BMR 3300 4400 5500 6600

TANDEM ASSEMBLY WITH SLIDE PADS

OCT 2016 to present

COMPLETE ASSEMBLY:

TANDEM ASSEMBLY WITH SLIDE PADS



17/12/2018

Spare Parts

SPARE PARTS LIST
BMR 3300 4400 5500 6600

Pos	CPN	Qty	Description
1	900004-2	1	CAP SCREW, 1/4" -20 X 3/4" LG, GRADE 8
2	287657-01	1	SLIDE PAD
REF	287655-01	1	TANDEM ASSEMBLY WITH SLIDE PADS

SPARE PARTS LIST
BMR 3300 4400 5500 6600

PLATFORM, FLIPOVER, AND CHAIN ASSEMBLY WITH ALUMINUM RETENTION RAMP (STEEL)

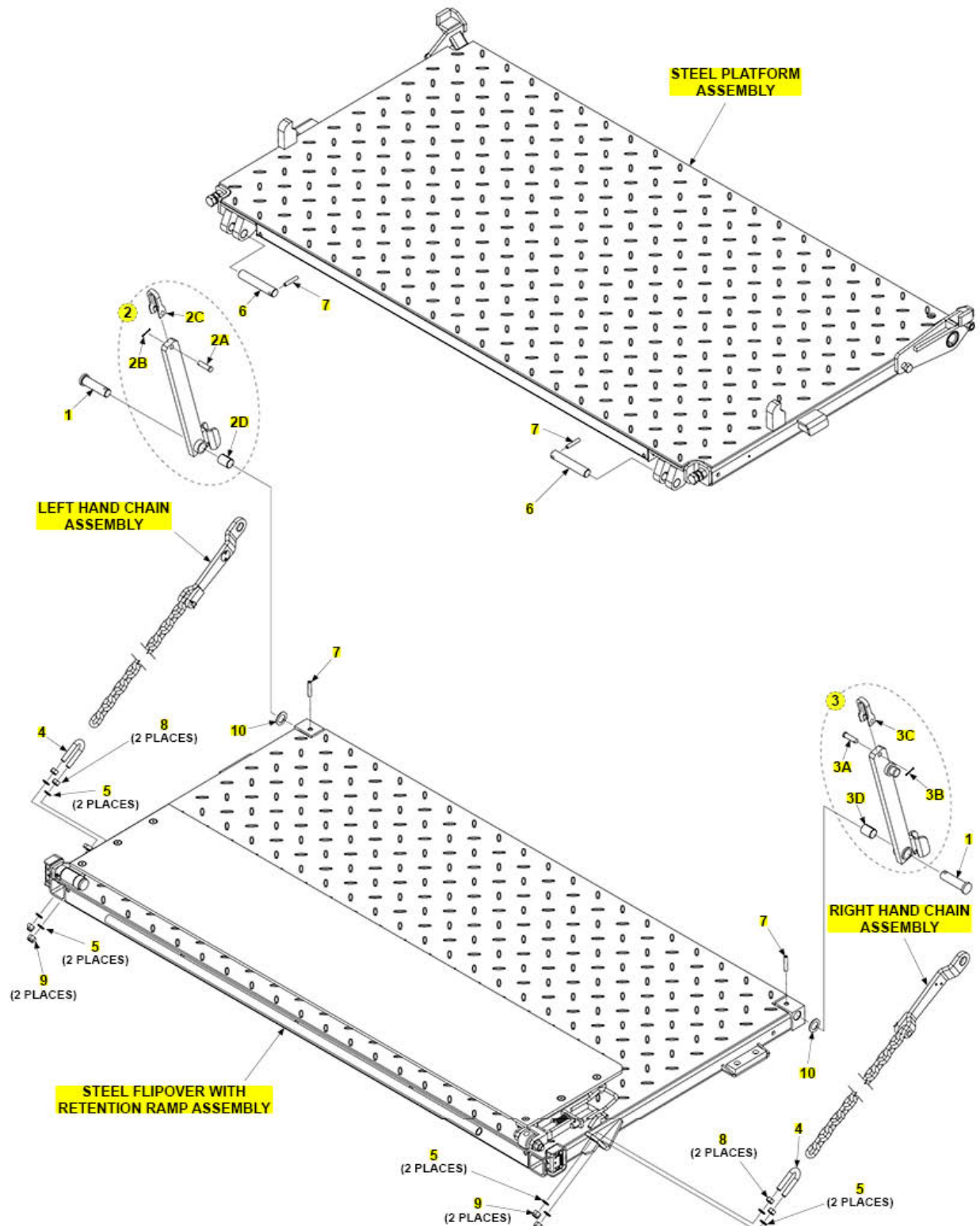
OCT 2018 to present

CAUTION

MAXON recommends replacing Left Hand & Right Hand platform support chains as a set. Possible harm to users or bystanders and/or equipment damage could result if chains are only replaced one at a time.

COMPLETE ASSEMBLY:

PLATFORM, FLIPOVER, AND CHAIN ASSEMBLY WITH ALUMINUM RETENTION RAMP (STEEL)



SPARE PARTS LIST
BMR 3300 4400 5500 6600

Pos	CPN	Qty	Description
1	253528	2	PIN
2	298172-01	1	OPENER ASSY BMR,30+30 P/F,LH
2	298172-03	1	OPENER ASSY BMR,36+36 P/F,LH
2	298172-05	1	OPENER ASSY BMR,42+42 P/F,LH
2	298172-07	1	OPENER ASSY BMR,36+24 P/F,LH
2	298172-09	1	OPENER ASSY BMR,42+30 P/F,LH
2A	905136-02	1	CLEVIS PIN, 1/2" X 1-3/4" LG, GRADE 8
2B	030805	1	COTTER PIN, 1/8" X 1" LG.
2C	280644-01	1	ANCHOR SHACKLE
2D	260916-02	1	BEARING SELF LUBE 1DIAX1.50IN
3	286880-02	1	OPENER ASSEMBLY RH, 30" + 30" *
3	286880-04	1	OPENER ASSEMBLY RH, 36" + 36" *
3	286880-06	1	OPENER ASSEMBLY RH, 42" + 42" *
3	286880-08	1	OPENER ASSEMBLY RH, 36" + 24" *
3	286880-10	1	OPENER ASSEMBLY RH, 42" + 30" *
3A	905136-02	1	CLEVIS PIN, 1/2" X 1-3/4" LG, GRADE 8
3B	030805	1	COTTER PIN, 1/8" X 1" LG.
3C	280644-01	1	ANCHOR SHACKLE
3D	260916-02	1	BEARING SELF LUBE 1DIAX1.50IN
4	282854-01	2	U-BOLT
5	902000-14	8	WASHER, FLAT .500X.063 THK
6	268068-03	2	PIN, STAINLESS STEEL 5-1/2" LG.
7	904717-06	4	PIN, ROLL .38 X 2 ZINC
8	901011-9	4	NUT, 1/2"-13
9	901010	4	NYLON LOCK NUT, 1/2"-13
REF	298190-601G	1	P/F, F/O ASSY, ST80X30+30+16ARR,GALV,BMR
REF	298190-602G	1	P/F, F/O ASSY, ST80X36+36+16ARR,GALV,BMR
REF	298190-603G	1	P/F, F/O ASSY, ST80X42+42+16ARR,GALV,BMR

SPARE PARTS LIST
BMR 3300 4400 5500 6600

Pos	CPN	Qty	Description
REF	298190-604G	1	P/F, F/O ASSY, ST80X36+24+16ARR,GALV,BMR
REF	298190-605G	1	P/F, F/O ASSY, ST80X42+30+16ARR,GALV,BMR
REF	298190-611G	1	P/F, F/O ASSY, ST85X30+30+16ARR,GALV,BMR
REF	298190-612G	1	P/F, F/O ASSY, ST85X36+36+16ARR,GALV,BMR
REF	298190-613G	1	P/F, F/O ASSY, ST85X42+42+16ARR,GALV,BMR
REF	298190-614G	1	P/F, F/O ASSY, ST85X36+24+16ARR,GALV,BMR
REF	298190-615G	1	P/F, F/O ASSY, ST85X42+30+16ARR,GALV,BMR
10	902000-25	2	WASHER, FLAT

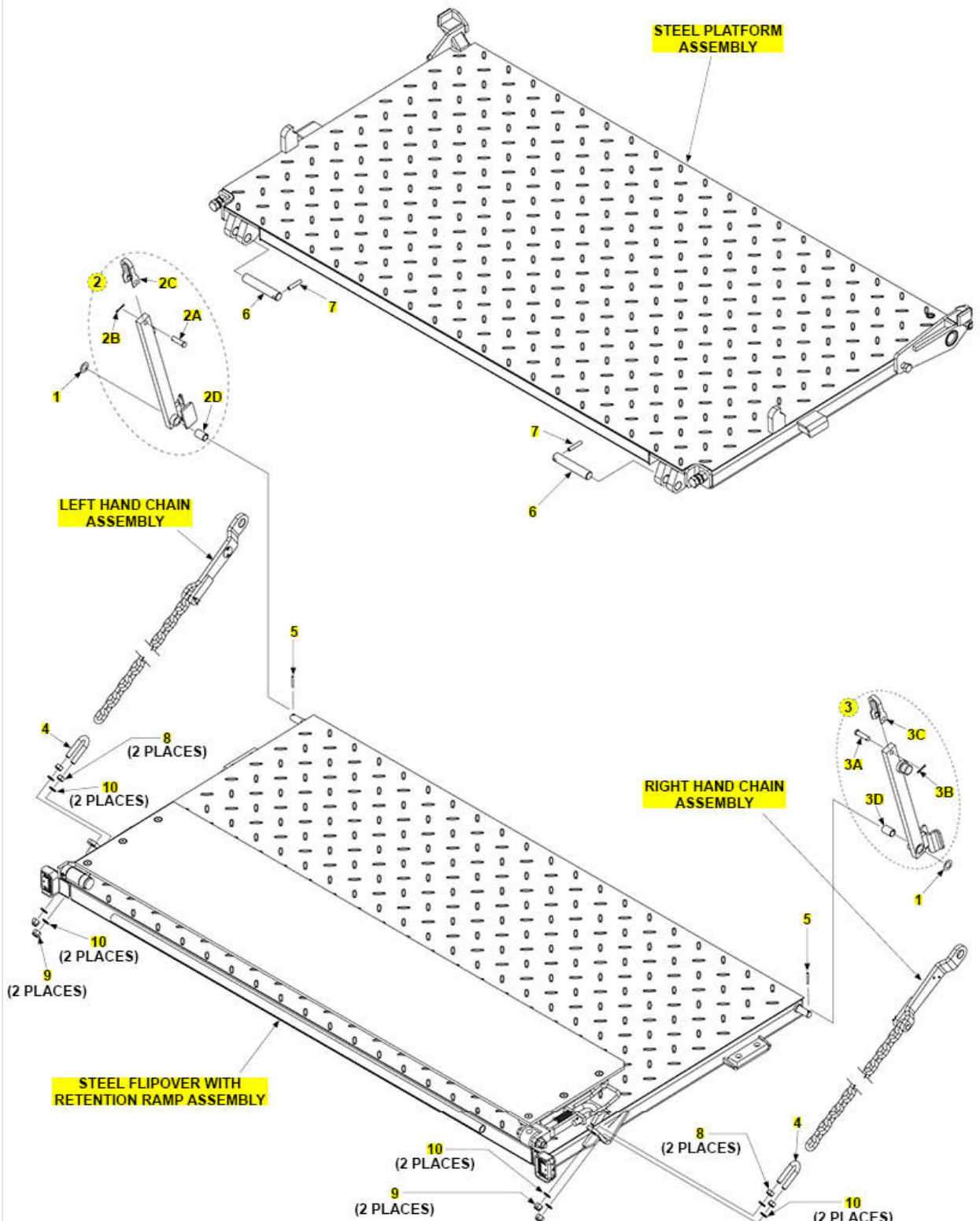
SPARE PARTS LIST
BMR 3300 4400 5500 6600
(Oct 2016 to Sept 2018)

PLATFORM, FLIPOVER, AND CHAIN ASSEMBLY WITH ALUMINUM RETENTION RAMP
(STEEL)

OCT 2016 to SEPT 2018

CAUTION
MAXON recommends replacing Left Hand & Right Hand platform support chains as a set. Possible harm to users or bystanders and/or equipment damage could result if chains are only replaced one at a time.

COMPLETE ASSEMBLY:
PLATFORM, FLIPOVER, AND CHAIN ASSEMBLY WITH ALUMINUM RETENTION RAMP (STEEL)



SPARE PARTS LIST
BMR 3300 4400 5500 6600
(Oct 2016 to Sept 2018)

Pos	CPN	Qty	Description
2	286880-01	1	OPENER ASSEMBLY LH, 30" + 30" *
2	286880-03	1	OPENER ASSEMBLY LH, 36" + 36" *
2	286880-05	1	OPENER ASSEMBLY LH, 42" + 42" *
2	286880-07	1	OPENER ASSEMBLY LH, 36" + 24" *
2	286880-09	1	OPENER ASSEMBLY LH, 42" + 30" *
2A	905136-02	1	CLEVIS PIN, 1/2" X 1-3/4" LG, GRADE 8
2B	030805	1	COTTER PIN, 1/8" X 1" LG.
2C	280644-01	1	ANCHOR SHACKLE
2D	260917-05	1	BEARING, SELF LUBE, 3/4" DIA. X 1-3/8" LG.
3	286880-02	1	OPENER ASSEMBLY RH, 30" + 30" *
3	286880-04	1	OPENER ASSEMBLY RH, 36" + 36" *
3	286880-06	1	OPENER ASSEMBLY RH, 42" + 42" *
3	286880-08	1	OPENER ASSEMBLY RH, 36" + 24" *
3	286880-10	1	OPENER ASSEMBLY RH, 42" + 30" *
3A	905136-02	1	CLEVIS PIN, 1/2" X 1-3/4" LG, GRADE 8
3B	030805	1	COTTER PIN, 1/8" X 1" LG.
3C	280644-01	1	ANCHOR SHACKLE
3D	260917-05	1	BEARING, SELF LUBE, 3/4" DIA. X 1-3/8" LG.
4	282854-01	1	U-BOLT
5	905015-3	1	ROLL PIN, 3/16" X 1-1/2" LG.
6	268068-03	1	PIN, STAINLESS STEEL 5-1/2" LG.
7	904717-06	1	PIN, ROLL .38 X 2 ZINC
8	901011-9	1	NUT, 1/2"-13
9	901010	1	NYLON LOCK NUT, 1/2"-13
10	902000-14	1	FLAT WASHER, 1/2" X 7/16"
REF	286820-601G	1	P/F ASSY BMRB66G,ST80X(30+30+16),GALV
REF	286820-602G	1	P/F ASSY BMRB66G,ST80X(36+36+16),GALV
REF	286820-603G	1	P/F ASSY BMRB66G,ST80X(42+42+16),GALV
REF	286820-604G	1	P/F ASSY BMRB66G,ST80X(36+24+16),GALV
REF	286820-605G	1	P/F ASSY BMRB66G,ST80X(42+30+16),GALV

SPARE PARTS LIST
BMR 3300 4400 5500 6600
 (Oct 2016 to Sept 2018)

Pos	CPN	Qty	Description
REF	286820-611G	1	P/F ASSY BMRBW66G,ST85X(30+30+16),GALV
REF	286820-612G	1	P/F ASSY BMRBW66G,ST85X(36+36+16),GALV
REF	286820-613G	1	P/F ASSY BMRBW66G,ST85X(42+42+16),GALV
REF	286820-614G	1	P/F ASSY BMRBW66G,ST85X(36+24+16),GALV
REF	286820-615G	1	P/F ASSY BMRBW66G,ST85X(42+30+16),GALV
1	261685	1	FLAT WASHER, 3/4" I.D. STAINLESS STEEL

SPARE PARTS LIST
BMR 3300 4400 5500 6600

PLATFORM, FLIPOVER, AND CHAIN ASSEMBLY, STEEL GRATING WITH ALUMINUM RETENTION RAMP

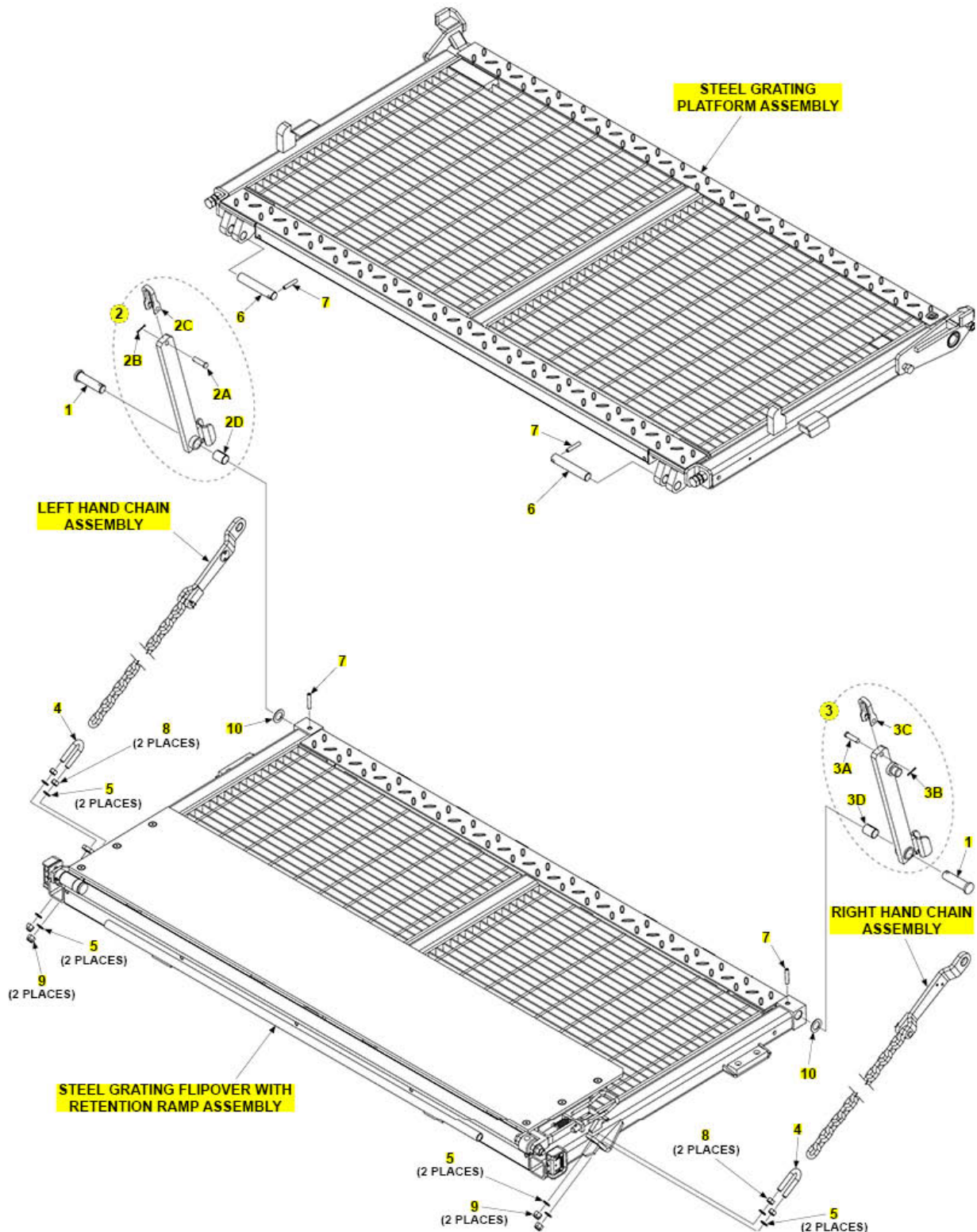
CAUTION

MAXON recommends replacing Left Hand & Right Hand platform support chains as a set. Possible harm to users or bystanders and/or equipment damage could result if chains are only replaced one at a time.

OCT 2018 to present

COMPLETE ASSEMBLY:

PLATFORM, FLIPOVER, AND CHAIN ASSEMBLY, STEEL GRATING WITH ALUMINUM RETENTION RAMP



SPARE PARTS LIST
BMR 3300 4400 5500 6600

Pos	CPN	Qty	Description
1	253528	2	PIN
2	298172-01	1	OPENER ASSY BMR,30+30 P/F,LH
2	298172-03	1	OPENER ASSY BMR,36+36 P/F,LH
2	298172-05	1	OPENER ASSY BMR,42+42 P/F,LH
2	298172-07	1	OPENER ASSY BMR,36+24 P/F,LH
2	298172-09	1	OPENER ASSY BMR,42+30 P/F,LH
2A	905136-02	1	CLEVIS PIN, 1/2" X 1-3/4" LG, GRADE 8
2B	030805	1	COTTER PIN, 1/8" X 1" LG.
2C	280644-01	1	ANCHOR SHACKLE
2D	260916-02	1	BEARING SELF LUBE 1DIAX1.50IN
3	298172-02	1	OPENER ASSY BMR,30+30 P/F,RH
3	298172-04	1	OPENER ASSY BMR,36+36 P/F,RH
3	298172-06	1	OPENER ASSY BMR,42+42 P/F,RH
3	298172-08	1	OPENER ASSY BMR,36+24 P/F,RH
3	298172-10	1	OPENER ASSY BMR,42+30 P/F,RH
3A	905136-02	1	CLEVIS PIN, 1/2" X 1-3/4" LG, GRADE 8
3B	030805	1	COTTER PIN, 1/8" X 1" LG.
3C	280644-01	1	ANCHOR SHACKLE
3D	260916-02	1	BEARING SELF LUBE 1DIAX1.50IN
4	282854-01	2	U-BOLT
5	902000-14	8	WASHER, FLAT .500X.063 THK
6	268068-03	2	PIN, STAINLESS STEEL 5-1/2" LG.
7	904717-06	4	PIN, ROLL .38 X 2 ZINC
8	901011-9	4	NUT, 1/2"-13
9	901010	4	NYLON LOCK NUT, 1/2"-13
REF	298810-601G	1	P/F,F/O ASSY, GR-ST80X30+30+16ARR,GALV,BMR
REF	298810-602G	1	P/F,F/O ASSY, GR-ST80X36+36+16ARR,GALV,BMR
REF	298810-603G	1	P/F,F/O ASSY, GR-ST80X42+42+16ARR,GALV,BMR

SPARE PARTS LIST
BMR 3300 4400 5500 6600

Pos	CPN	Qty	Description
REF	298810-604G	1	P/F,F/O ASSY, GR-ST80X36+24+16ARR,GALV,BMR
REF	298810-605G	1	P/F,F/O ASSY, GR-ST80X42+30+16ARR,GALV,BMR
REF	298810-611G	1	P/F,F/O ASSY, GR-ST85X30+30+16ARR,GALV,BMR
REF	298810-612G	1	P/F,F/O ASSY, GR-ST85X36+36+16ARR,GALV,BMR
REF	298810-613G	1	P/F,F/O ASSY, GR-ST85X42+42+16ARR,GALV,BMR
REF	298810-614G	1	P/F,F/O ASSY, GR-ST85X36+24+16ARR,GALV,BMR
REF	298810-615G	1	P/F,F/O ASSY, GR-ST85X42+30+16ARR,GALV,BMR
10	902000-25	2	WASHER, FLAT

SPARE PARTS LIST
BMR 3300 4400 5500 6600
(Oct 2016 to Sept 2018)

PLATFORM, FLIPOVER, AND CHAIN ASSEMBLY, STEEL GRATING WITH ALUMINUM RETENTION RAMP

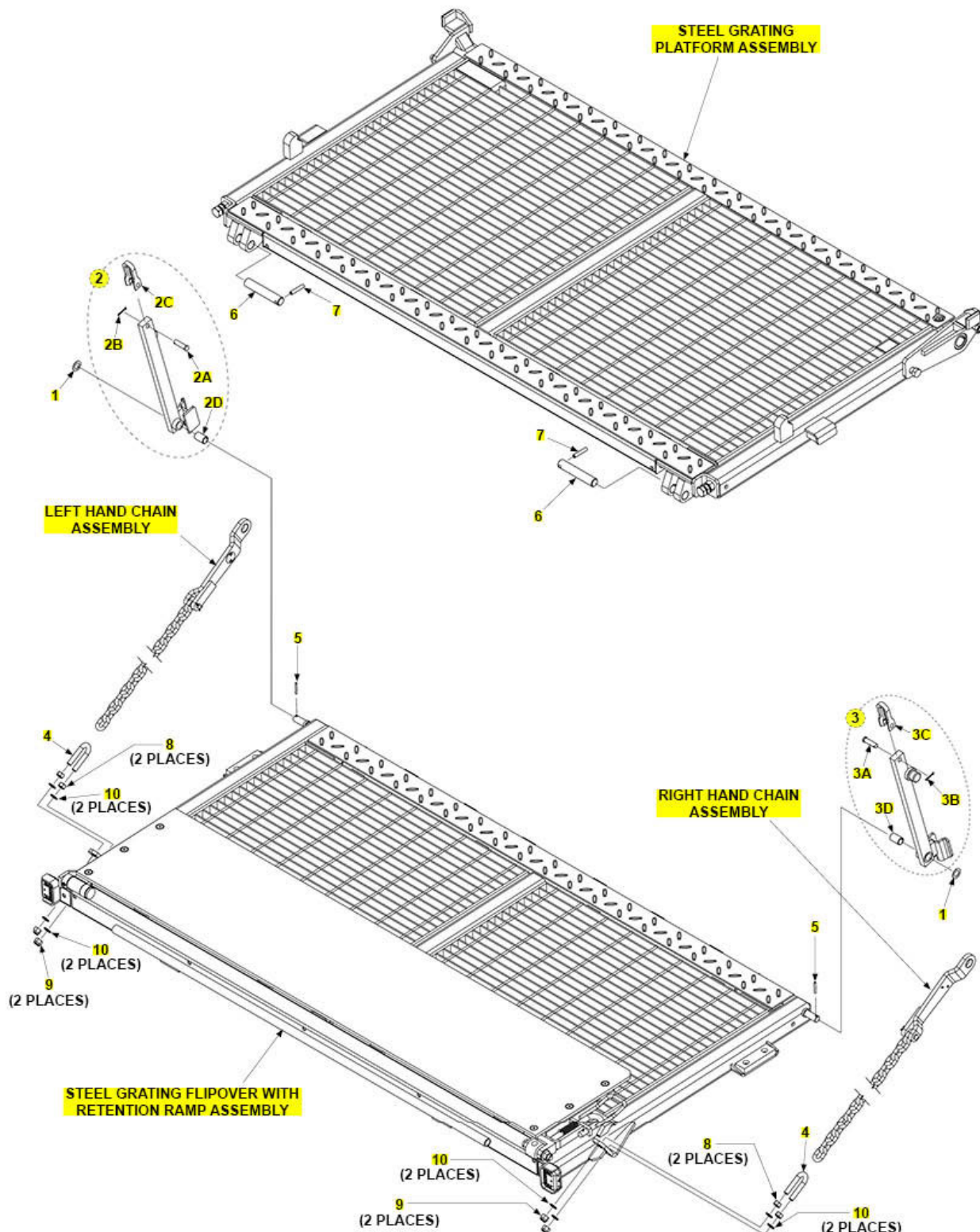
CAUTION

MAXON recommends replacing Left Hand & Right Hand platform support chains as a set. Possible harm to users or bystanders and/or equipment damage could result if chains are only replaced one at a time.

OCT 2016 to SEPT 2018

COMPLETE ASSEMBLY:

PLATFORM, FLIPOVER, AND CHAIN ASSEMBLY,
STEEL GRATING WITH ALUMINUM RETENTION RAMP



SPARE PARTS LIST
BMR 3300 4400 5500 6600
(Oct 2016 to Sept 2018)

Pos	CPN	Qty	Description
2	286880-01	1	OPENER ASSEMBLY LH, 30" + 30" *
2	286880-03	1	OPENER ASSEMBLY LH, 36" + 36" *
2	286880-05	1	OPENER ASSEMBLY LH, 42" + 42" *
2	286880-07	1	OPENER ASSEMBLY LH, 36" + 24" *
2	286880-09	1	OPENER ASSEMBLY LH, 42" + 30" *
2A	905136-02	1	CLEVIS PIN, 1/2" X 1-3/4" LG, GRADE 8
2B	030805	1	COTTER PIN, 1/8" X 1" LG.
2C	280644-01	1	ANCHOR SHACKLE
2D	260917-05	1	BEARING, SELF LUBE, 3/4" DIA. X 1-3/8" LG.
3	286880-02	1	OPENER ASSEMBLY RH, 30" + 30" *
3	286880-04	1	OPENER ASSEMBLY RH, 36" + 36" *
3	286880-06	1	OPENER ASSEMBLY RH, 42" + 42" *
3	286880-08	1	OPENER ASSEMBLY RH, 36" + 24" *
3	286880-10	1	OPENER ASSEMBLY RH, 42" + 30" *
3A	905136-02	1	CLEVIS PIN, 1/2" X 1-3/4" LG, GRADE 8
3B	030805	1	COTTER PIN, 1/8" X 1" LG.
3C	280644-01	1	ANCHOR SHACKLE
3D	260917-05	1	BEARING, SELF LUBE, 3/4" DIA. X 1-3/8" LG.
4	282854-01	1	U-BOLT
5	905015-3	1	ROLL PIN, 3/16" X 1-1/2" LG.
6	268068-03	1	PIN, STAINLESS STEEL 5-1/2" LG.
7	904717-06	1	PIN, ROLL .38 X 2 ZINC
8	901011-9	1	NUT, 1/2"-13
9	901010	1	NYLON LOCK NUT, 1/2"-13
10	902000-14	1	FLAT WASHER, 1/2" X 7/16"
REF	288960-601G	1	P/F ASSY BMRB66G,GR-ST80X30+30+16ARR
REF	288960-602G	1	P/F ASSY BMRB66G,GR-ST80X36+36+16ARR
REF	288960-603G	1	P/F ASSY BMRB66G,GR-ST80X42+42+16ARR

SPARE PARTS LIST
BMR 3300 4400 5500 6600
 (Oct 2016 to Sept 2018)

Pos	CPN	Qty	Description
REF	288960-604G	1	P/F ASSY BMRB66G,GR-ST80X36+24+16ARR
REF	288960-605G	1	P/F ASSY BMRB66G,GR-ST80X42+30+16ARR
REF	288960-611G	1	P/F ASSY BMRBW66G,GR-ST85X30+30+16ARR
REF	288960-612G	1	P/F ASSY BMRBW66G,GR-ST85X36+36+16ARR
REF	288960-613G	1	P/F ASSY BMRBW66G,GR-ST85X42+42+16ARR
REF	288960-614G	1	P/F ASSY BMRBW66G,GR-ST85X36+24+16ARR
REF	288960-615G	1	P/F ASSY BMRBW66G,GR-ST85X42+30+16ARR
1	261685	1	FLAT WASHER, 3/4" I.D. STAINLESS STEEL

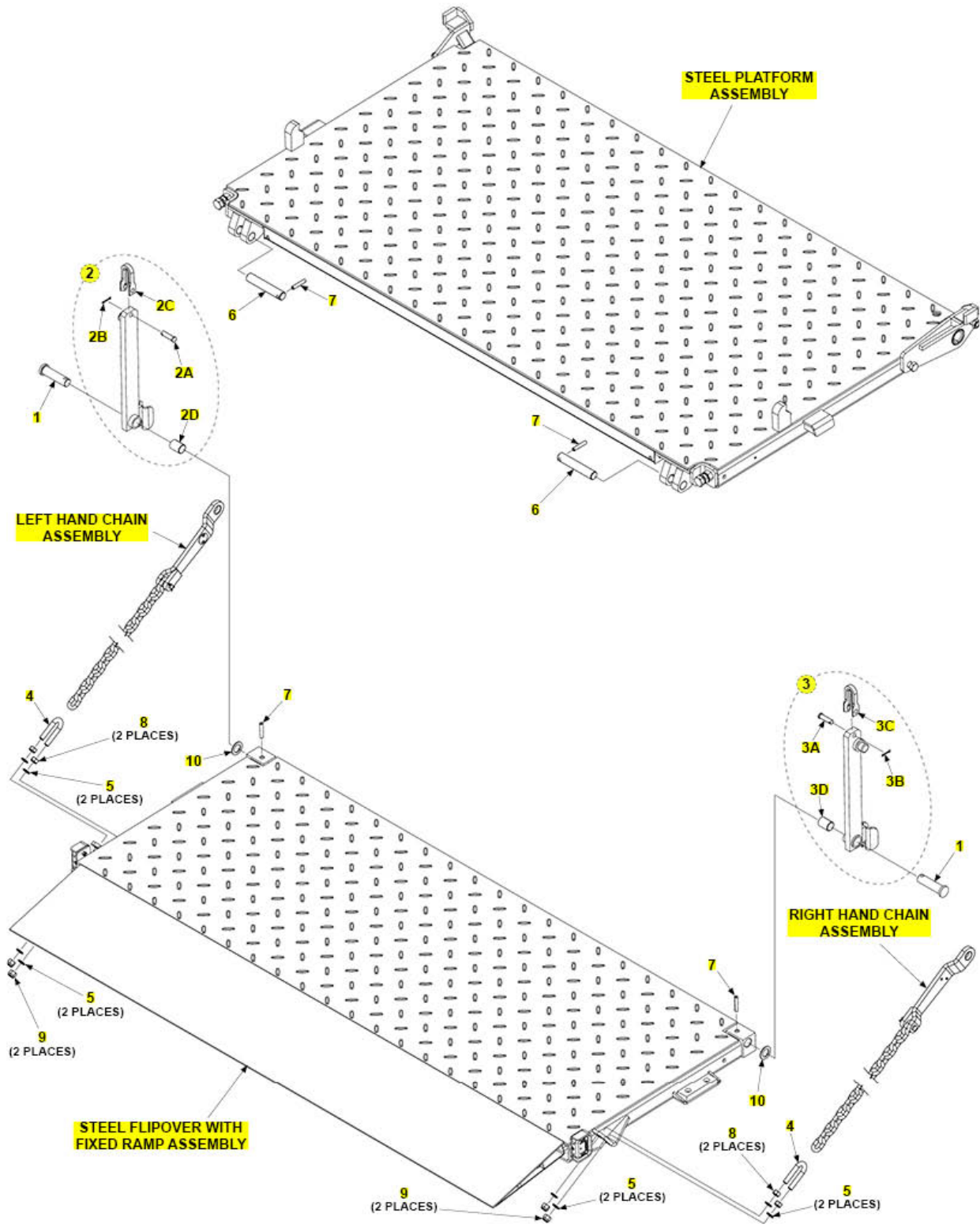
SPARE PARTS LIST
BMR 3300 4400 5500 6600

PLATFORM, FLIPOVER, AND CHAIN ASSEMBLY WITH FIXED RAMP (STEEL)

OCT 2018 to present

CAUTION
 MAXON recommends replacing Left Hand & Right Hand platform support chains as a set. Possible harm to users or bystanders and/or equipment damage could result if chains are only replaced one at a time.

COMPLETE ASSEMBLY:
PLATFORM, FLIPOVER, AND CHAIN ASSEMBLY WITH FIXED RAMP (STEEL)



SPARE PARTS LIST
BMR 3300 4400 5500 6600

Pos	CPN	Qty	Description
1	253528	2	PIN
2	298172-07	1	OPENER ASSY BMR,36+24 P/F,LH
2	298172-09	1	OPENER ASSY BMR,42+30 P/F,LH
2A	905136-02	1	CLEVIS PIN, 1/2" X 1-3/4" LG, GRADE 8
2B	030805	1	COTTER PIN, 1/8" X 1" LG.
2C	280644-01	1	ANCHOR SHACKLE
2D	260916-02	1	BEARING SELF LUBE 1DIAX1.50IN
3	298172-08	1	OPENER ASSY BMR,36+24 P/F,RH
3	298172-10	1	OPENER ASSY BMR,42+30 P/F,RH
3A	905136-02	1	CLEVIS PIN, 1/2" X 1-3/4" LG, GRADE 8
3B	030805	1	COTTER PIN, 1/8" X 1" LG.
3C	280644-01	1	ANCHOR SHACKLE
3D	260916-02	1	BEARING SELF LUBE 1DIAX1.50IN
4	282854-01	2	U-BOLT
5	902000-14	8	WASHER, FLAT .500X.063 THK
6	268068-03	2	PIN, STAINLESS STEEL 5-1/2" LG.
7	904717-06	4	PIN, ROLL .38 X 2 ZINC
8	901011-9	4	NUT, 1/2"
9	901010	4	NYLON LOCK NUT, 1/2"-13
REF	298830-606G	1	P/F,F/O ASSY, ST80X36+24+12FIX,GALV,BMR
REF	298830-607G	1	P/F,F/O ASSY, ST80X42+30+12FIX,GALV,BMR
REF	298830-616G	1	P/F,F/O ASSY, ST85X36+24+12FIX,GALV,BMR
REF	298830-617G	1	P/F,F/O ASSY, ST85X42+30+12FIX,GALV,BMR
10	902000-25	2	WASHER, FLAT

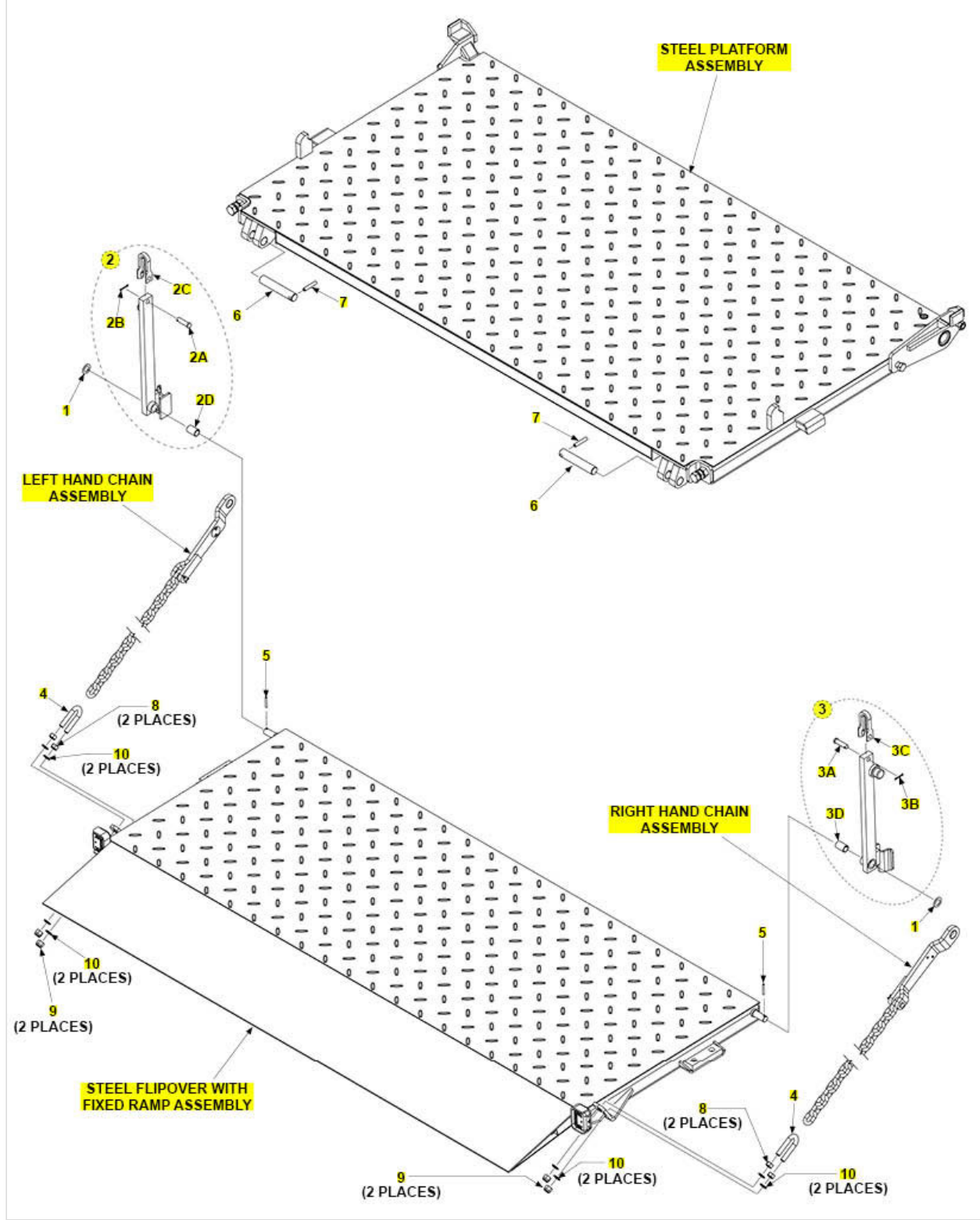
SPARE PARTS LIST
BMR 3300 4400 5500 6600
(Oct 2016 to Sept 2018)

PLATFORM, FLIPOVER, AND CHAIN ASSEMBLY WITH FIXED RAMP
(STEEL)

OCT 2016 to SEPT 2018

CAUTION
MAXON recommends replacing Left Hand & Right Hand platform support chains as a set. Possible harm to users or bystanders and/or equipment damage could result if chains are only replaced one at a time.

COMPLETE ASSEMBLY:
PLATFORM, FLIPOVER, AND CHAIN ASSEMBLY WITH FIXED RAMP



SPARE PARTS LIST
BMR 3300 4400 5500 6600
(Oct 2016 to Sept 2018)

Pos	CPN	Qty	Description
2	286880-07	1	OPENER ASSY BMRB,36+24 P/F,LH
2	286880-09	1	OPENER ASSEMBLY LH, 42" + 30" *
2A	905136-02	1	CLEVIS PIN, 1/2" X 1-3/4" LG, GRADE 8
2B	030805	1	COTTER PIN, 1/8" X 1" LG.
2C	280644-01	1	ANCHOR SHACKLE
2D	260917-05	1	BEARING, SELF LUBE, 3/4" DIA. X 1-3/8" LG.
3	286880-08	1	OPENER ASSY BMRB,36+24 P/F,RH
3	286880-10	1	OPENER ASSEMBLY RH, 42" + 30" *
3A	905136-02	1	CLEVIS PIN, 1/2" X 1-3/4" LG, GRADE 8
3B	030805	1	COTTER PIN, 1/8" X 1" LG.
3C	280644-01	1	ANCHOR SHACKLE
3D	260917-05	1	BEARING, SELF LUBE, 3/4" DIA. X 1-3/8" LG.
4	282854-01	1	U-BOLT
5	905015-3	1	ROLL PIN, 3/16" X 1-1/2" LG.
6	268068-03	1	PIN, STAINLESS STEEL 5-1/2" LG.
7	904717-06	1	PIN, ROLL .38 X 2 ZINC
8	901011-9	1	NUT, 1/2"
9	901010	1	NYLON LOCK NUT, 1/2"-13
10	902000-14	1	FLAT WASHER, 1/2"
REF	288259-606G	1	P/F ASSY BMRB66G,ST80X36+24+12FIX,GALV
REF	288259-607G	1	P/F ASSY BMRB66G,ST80X42+30+12FIX,GALV
REF	288259-616G	1	P/F ASSY BMRBW66G,ST85X36+24+12FIX,GALV
REF	288259-617G	1	P/F ASSY BMRBW66G,ST85X42+30+12FIX,GALV
1	261685	1	FLAT WASHER, 3/4" I.D. STAINLESS STEEL

SPARE PARTS LIST

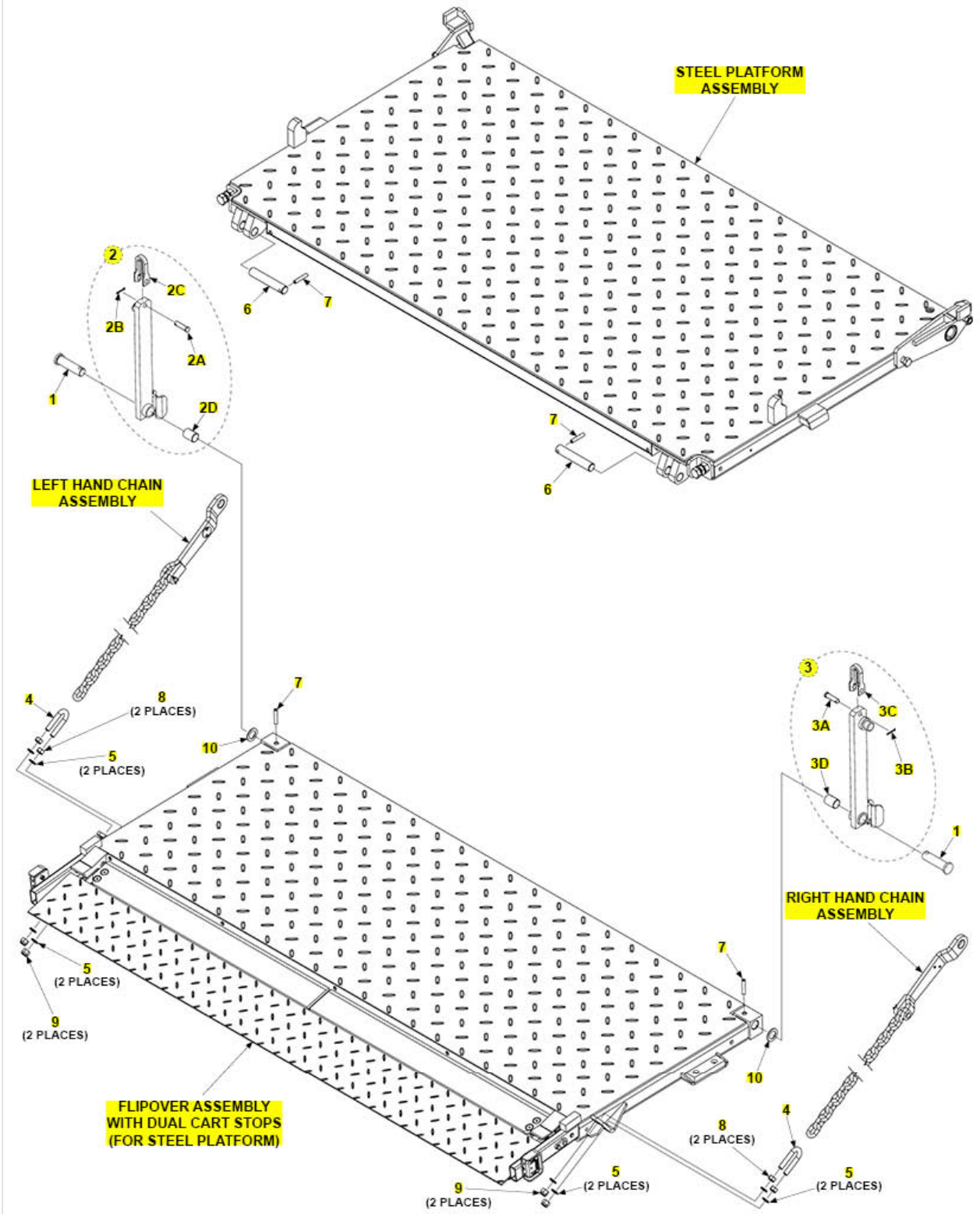
BMR 3300 4400 5500 6600

PLATFORM, FLIPOVER, AND CHAIN ASSEMBLY WITH CART STOP (STEEL)

OCT 2018 to present

CAUTION
MAXON recommends replacing Left Hand & Right Hand platform support chains as a set. Possible harm to users or bystanders and/or equipment damage could result if chains are only replaced one at a time.

COMPLETE ASSEMBLY:
PLATFORM, FLIPOVER, AND CHAIN ASSEMBLY WITH CART STOP (STEEL)



SPARE PARTS LIST
BMR 3300 4400 5500 6600

Pos	CPN	Qty	Description
1	253528	2	PIN
2	298172-07	1	OPENER ASSY BMR,36+24 P/F,LH
2	298172-09	1	OPENER ASSY BMR,42+30 P/F,LH
2A	905136-02	1	CLEVIS PIN, 1/2" X 1-3/4" LG, GRADE 8
2B	030805	1	COTTER PIN, 1/8" X 1" LG.
2C	280644-01	1	ANCHOR SHACKLE
2D	260916-02	1	BEARING SELF LUBE 1DIAX1.50IN
3	298172-08	1	OPENER ASSY BMR,36+24 P/F,RH
3	298172-10	1	OPENER ASSY BMR,42+30 P/F,RH
3A	905136-02	1	CLEVIS PIN, 1/2" X 1-3/4" LG, GRADE 8
3B	030805	1	COTTER PIN, 1/8" X 1" LG.
3C	280644-01	1	ANCHOR SHACKLE
3D	260916-02	1	BEARING SELF LUBE 1DIAX1.50IN
4	282854-01	2	U-BOLT
5	905015-3	8	ROLL PIN, 3/16" X 1-1/2" LG.
6	268068-03	2	PIN, STAINLESS STEEL 5-1/2" LG.
7	904717-06	4	PIN, ROLL .38 X 2 ZINC
8	901011-9	4	NUT, 1/2"
9	901010	4	NYLON LOCK NUT, 1/2"-13
REF	298880-6091G	1	P/F,F/O ASSY, ST80X36+24+12DCS,GALV,BMR
REF	298880-609G	1	P/F,F/O ASSY, ST80X42+30+12DCS,GALV,BMR
REF	298880-6191G	1	P/F,F/O ASSY, ST85X36+24+12DCS,GALV,BMR
REF	298880-619G	1	P/F,F/O ASSY, ST85X42+30+12DCS,GALV,BMR
10	902000-25	2	WASHER, FLAT

SPARE PARTS LIST

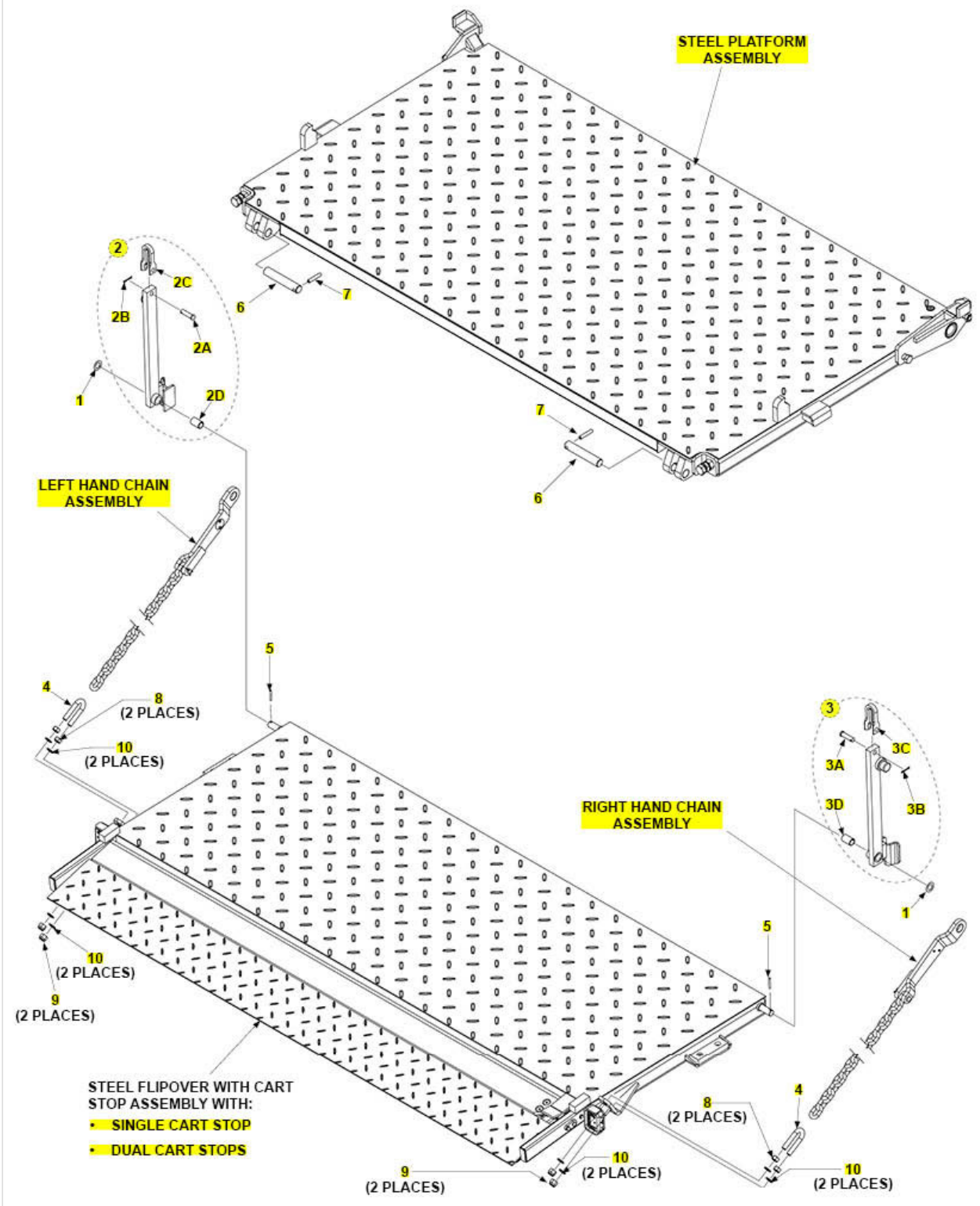
BMR 3300 4400 5500 6600
(Oct 2016 to Sept 2018)

PLATFORM, FLIPOVER, AND CHAIN ASSEMBLY WITH CART STOP (STEEL)

OCT 2016 to SEPT 2018

CAUTION
MAXON recommends replacing Left Hand & Right Hand platform support chains as a set. Possible harm to users or bystanders and/or equipment damage could result if chains are only replaced one at a time.

COMPLETE ASSEMBLY:
PLATFORM, FLIPOVER, AND CHAIN ASSEMBLY WITH CART STOP (STEEL)



SPARE PARTS LIST
BMR 3300 4400 5500 6600
(Oct 2016 to Sept 2018)

Pos	CPN	Qty	Description
2	286880-07	1	OPENER ASSY BMRB,36+24 P/F,LH
2	286880-09	1	OPENER ASSY BMRB,42+30 P/F,LH
2A	905136-02	1	CLEVIS PIN, 1/2" X 1-3/4" LG, GRADE 8
2B	030805	1	COTTER PIN, 1/8" X 1" LG.
2C	280644-01	1	ANCHOR SHACKLE
2D	260917-05	1	BEARING, SELF LUBE, 3/4" DIA. X 1-3/8" LG.
3	286880-08	1	OPENER ASSY BMRB,36+24 P/F,RH
3	286880-10	1	OPENER ASSY BMRB,42+30 P/F,RH
3A	905136-02	1	CLEVIS PIN, 1/2" X 1-3/4" LG, GRADE 8
3B	030805	1	COTTER PIN, 1/8" X 1" LG.
3C	280644-01	1	ANCHOR SHACKLE
3D	260917-05	1	BEARING, SELF LUBE, 3/4" DIA. X 1-3/8" LG.
4	282854-01	1	U-BOLT
5	905015-3	1	ROLL PIN, 3/16" X 1-1/2" LG.
6	268068-03	1	PIN, STAINLESS STEEL 5-1/2" LG.
7	904717-06	1	PIN, ROLL .38 X 2 ZINC
8	901011-9	1	NUT, 1/2"
9	901010	1	NYLON LOCK NUT, 1/2"-13
10	902000-14	1	FLAT WASHER, 1/2"
REF	287952-608G	1	P/F BMRB66G,ST80X42+30+12SCR,GALV
REF	287952-6081G	1	P/F BMRB66G,ST80X36+24+12SCR,GALV
REF	287952-618G	1	P/F BMRBW66G,ST85X42+30+12SCR,GALV
REF	287952-6181G	1	P/F BMRBW66G,ST85X36+24+12SCR,GALV
REF	287952-609G	1	P/F BMRB66G,ST80X42+30+12DCR,GALV
REF	287952-6091G	1	P/F BMRB66G,ST80X36+24+12DCR,GALV
REF	287952-619G	1	P/F BMRBW66G,ST85X42+30+12DCR,GALV
REF	287952-6191G	1	P/F BMRBW66G,ST85X36+24+12DCR,GALV
1	261685	1	FLAT WASHER, 3/4" I.D. STAINLESS STEEL

SPARE PARTS LIST
BMR 3300 4400 5500 6600

PLATFORM, FLIPOVER, AND CHAIN ASSEMBLY WITH AUTO CART STOP (STEEL)

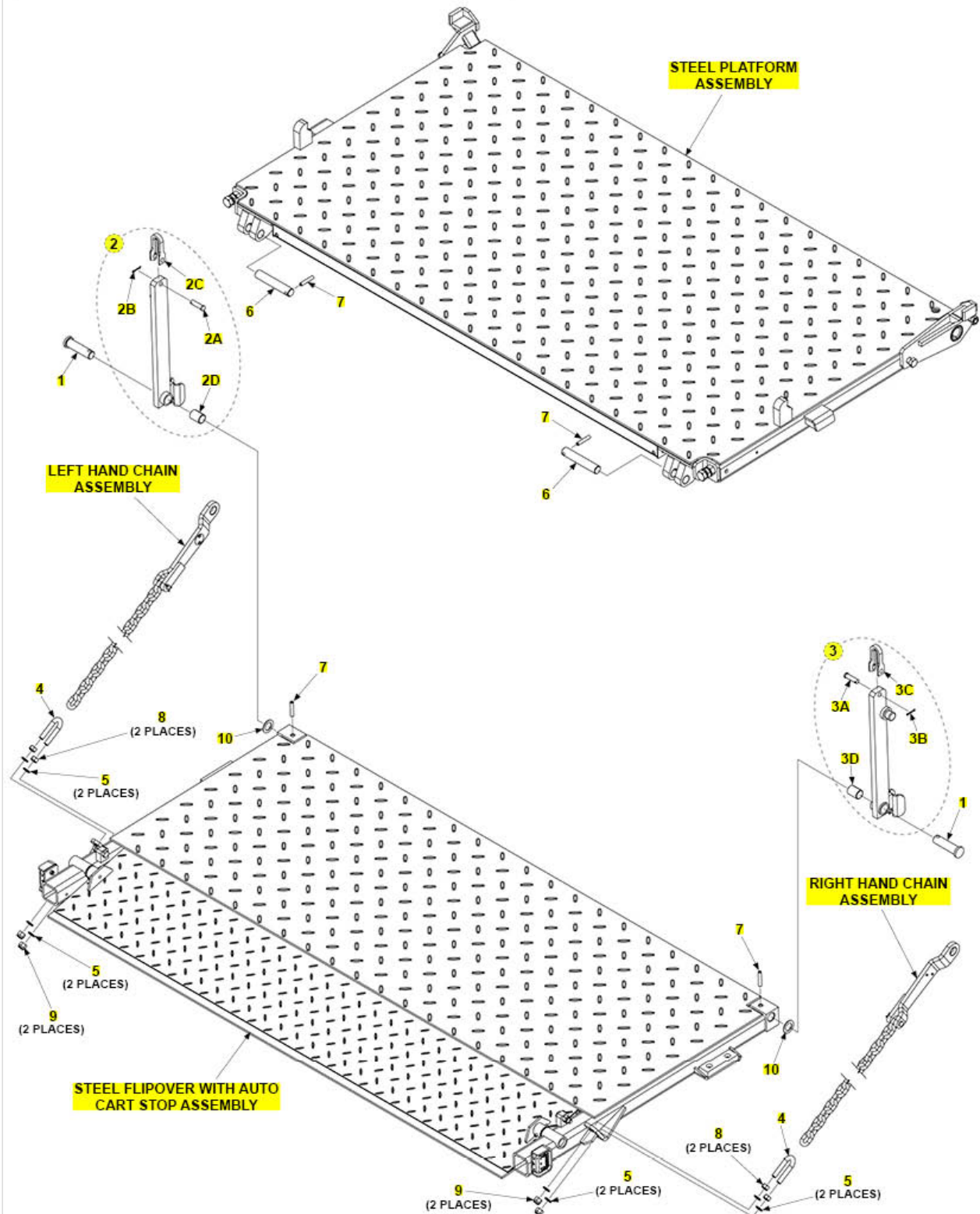
OCT 2018 to present

CAUTION

MAXON recommends replacing Left Hand & Right Hand platform support chains as a set. Possible harm to users or bystanders and/or equipment damage could result if chains are only replaced one at a time.

COMPLETE ASSEMBLY:

PLATFORM, FLIPOVER, AND CHAIN ASSEMBLY WITH AUTO CART STOP (STEEL)



SPARE PARTS LIST
BMR 3300 4400 5500 6600

Pos	CPN	Qty	Description
1	253528	2	PIN
2	298172-05	1	OPENER ASSY BMR,42+42 P/F,LH
2A	905136-02	1	CLEVIS PIN, 1/2" X 1-3/4" LG, GRADE 8
2B	030805	1	COTTER PIN, 1/8" X 1" LG.
2C	280644-01	1	ANCHOR SHACKLE
2D	260916-02	1	BEARING SELF LUBE 1DIAX1.50IN
3	298172-06	1	OPENER ASSY BMR,42+42 P/F,RH
3A	905136-02	1	CLEVIS PIN, 1/2" X 1-3/4" LG, GRADE 8
3B	030805	1	COTTER PIN, 1/8" X 1" LG.
3C	280644-01	1	ANCHOR SHACKLE
3D	260916-02	1	BEARING SELF LUBE 1DIAX1.50IN
4	282854-01	2	U-BOLT
5	902000-14	8	WASHER, FLAT .500X.063 THK
6	268068-03	2	PIN, STAINLESS STEEL 5-1/2" LG.
7	904717-06	4	PIN, ROLL .38 X 2 ZINC
8	901011-9	4	NUT, 1/2"
9	901010	4	NYLON LOCK NUT, 1/2"-13
REF	298850-607G	1	P/F,F/O ASSY, ST80X42+30+12ACS,GALV,BMR
REF	298850-617G	1	P/F,F/O ASSY, ST85X42+30+12ACS,GALV,BMR
10	902000-25	2	WASHER, FLAT

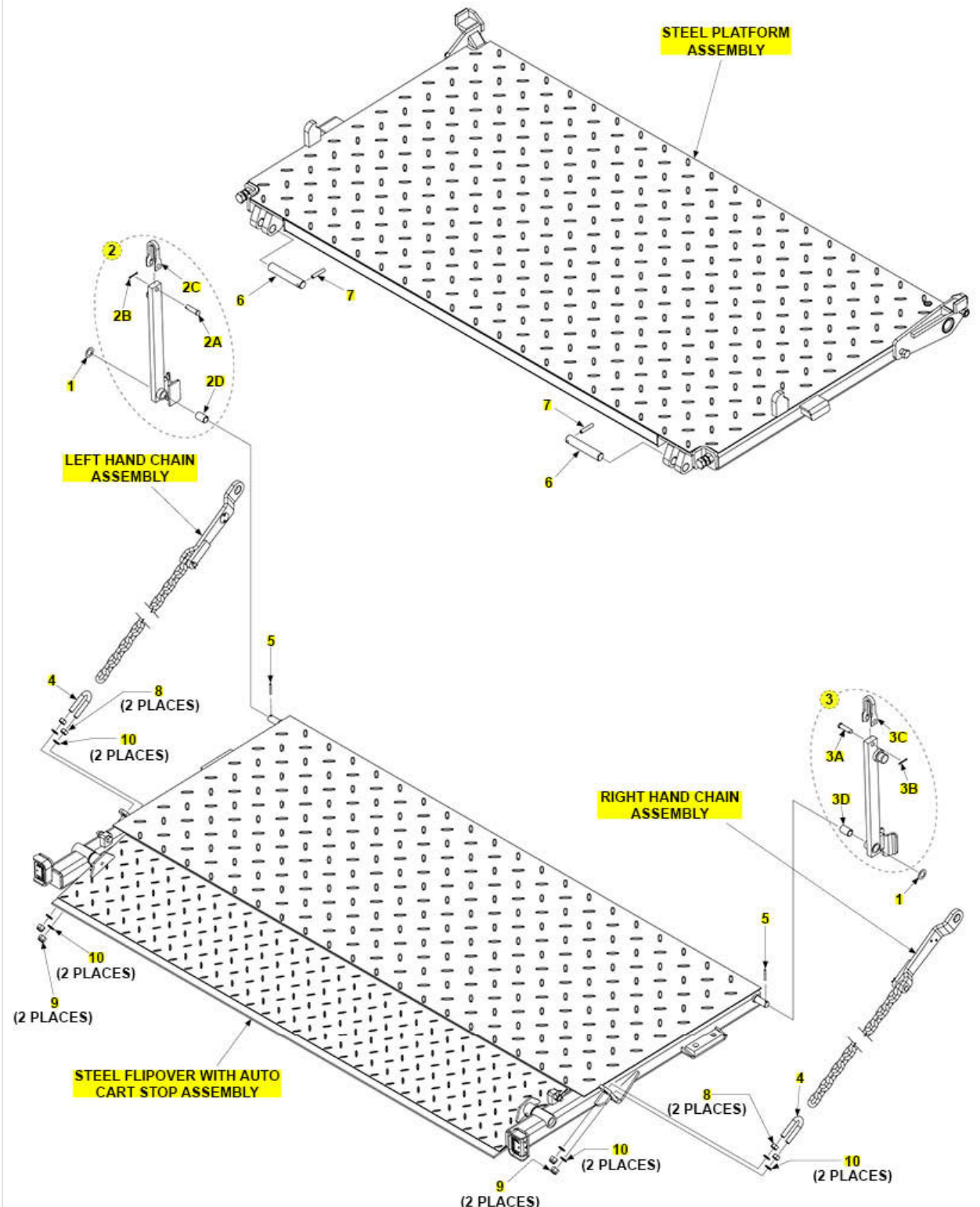
SPARE PARTS LIST
BMR 3300 4400 5500 6600
(Oct 2016 to Sept 2018)

PLATFORM, FLIPOVER, AND CHAIN ASSEMBLY WITH AUTO CART STOP
(STEEL)

OCT 2016 to SEPT 2018

CAUTION
MAXON recommends replacing Left Hand & Right Hand platform support chains as a set. Possible harm to users or bystanders and/or equipment damage could result if chains are only replaced one at a time.

COMPLETE ASSEMBLY:
PLATFORM, FLIPOVER, AND CHAIN ASSEMBLY WITH AUTO CART STOP (STEEL)



SPARE PARTS LIST
BMR 3300 4400 5500 6600
(Oct 2016 to Sept 2018)

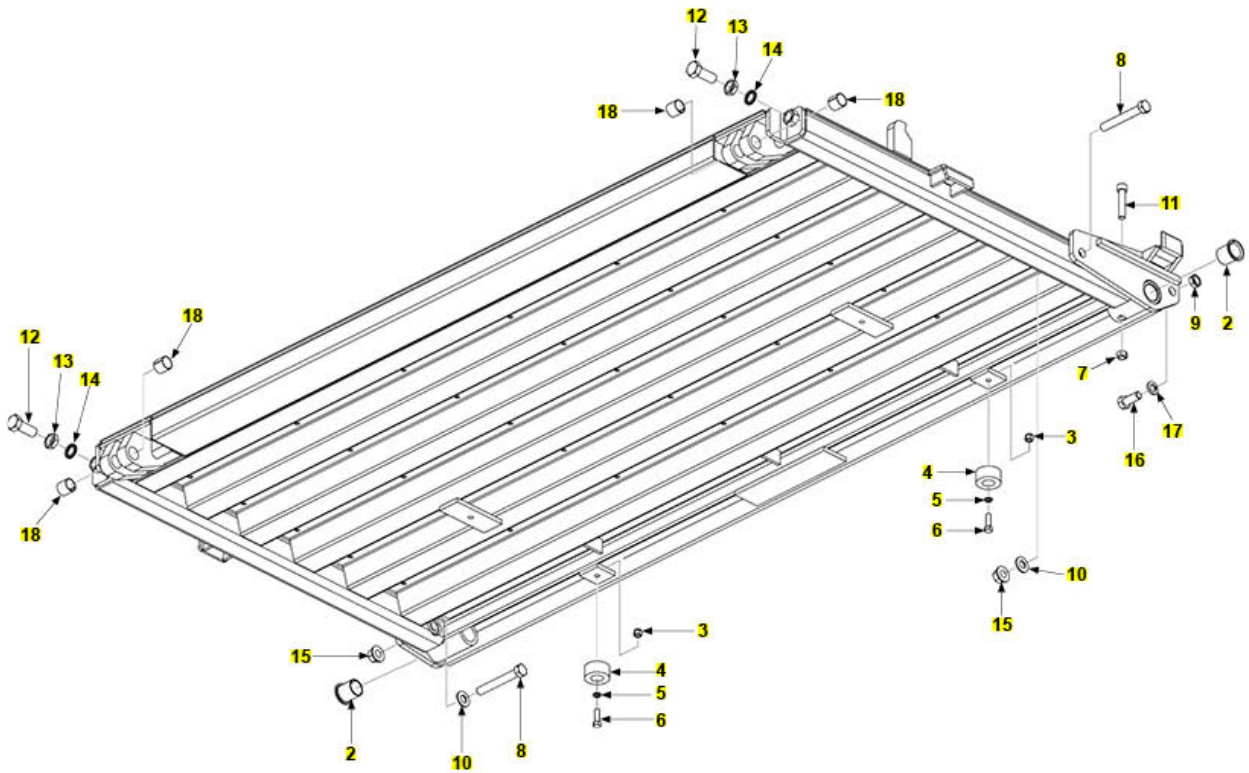
Pos	CPN	Qty	Description
2	286880-09	1	OPENER ASSEMBLY LH, 42" + 30" *
2A	905136-02	1	CLEVIS PIN, 1/2" X 1-3/4" LG, GRADE 8
2B	030805	1	COTTER PIN, 1/8" X 1" LG.
2C	280644-01	1	ANCHOR SHACKLE
2D	260917-05	1	BEARING, SELF LUBE, 3/4" DIA. X 1-3/8" LG.
3	286880-10	1	OPENER ASSEMBLY RH, 42" + 30" *
3A	905136-02	1	CLEVIS PIN, 1/2" X 1-3/4" LG, GRADE 8
3B	030805	1	COTTER PIN, 1/8" X 1" LG.
3C	280644-01	1	ANCHOR SHACKLE
3D	260917-05	1	BEARING, SELF LUBE, 3/4" DIA. X 1-3/8" LG.
4	282854-01	1	U-BOLT
5	905015-3	1	ROLL PIN, 3/16" X 1-1/2" LG.
6	268068-03	1	PIN, STAINLESS STEEL 5-1/2" LG.
7	904717-06	1	PIN, ROLL .38 X 2 ZINC
8	901011-9	1	NUT, 1/2"
9	901010	1	NYLON LOCK NUT, 1/2"-13
10	902000-14	1	FLAT WASHER, 1/2"
REF	288750-601G	1	P/F ASSY BMR66G,ST80X(42+30+12)
REF	288750-611G	1	P/F ASSY BMRW66G,ST85X(42+30+12)
1	261685	1	FLAT WASHER, 3/4" I.D. STAINLESS STEEL

SPARE PARTS LIST
BMR 3300 4400 5500 6600

PLATFORM ASSEMBLY (STEEL)

OCT 2016 to present

COMPLETE ASSEMBLY:
PLATFORM ASSEMBLY (STEEL)



SPARE PARTS LIST
BMR 3300 4400 5500 6600

Pos	CPN	Qty	Description
2	908007-05	1	BEARING, FLANGE, 1-1/4" DIA. X 1-1/2" LG.
3	901002	1	NYLON LOCK NUT, 3/6"-16
4	253516	1	RUBBER BUMPER
5	902000-10	1	FLAT WASHER, 3/8"
6	900014-5	1	HEX HEAD BOLT, 3/8"-16 X 1-1/4" LG, GRADE 8
7	040066	1	NYLON LOCK NUT, 1/2"-13
8	900055-14	1	HEX HEAD SCREW, 5/8"-11 X 4-1/2" LG.
9	030331	1	JAM NUT, 5/8"-11
10	903443-12	1	FLAT WASHER, 5/8"
11	900036-11	1	SOCKET SCREW, 1/2"-13 X 2-1/5" LG.
12	900038-7	1	CAP SCREW, 3/4"-10 X 2" LG, GRADE 8
13	030335	1	JAM NUT, 3/4"-10
14	903435-10	1	LOCK WASHER, 3/4"-M18
15	901023-04	1	LOCK NUT, FLANGE, 5/8"-11
16	900055-02	1	HEX HEAD SCREW, 5/8"-11 X 1-1/2" LG.
17	902011-8	1	LOCK WASHER, 5/8" X 3/16" THICK
18	253657	1	BEARING, SELF LUBE, 1" DIA. X 1" LG.
REF	296055-601G	1	P/F ASSY BMR66G, ST80X30
REF	296055-602G	1	P/F ASSY BMR66G, ST80X36
REF	296055-603G	1	P/F ASSY BMR66G, ST80X42
REF	296055-611G	1	P/F ASSY BMRW66G, ST85X30
REF	296055-612G	1	P/F ASSY BMRW66G, ST85X36
REF	296055-613G	1	P/F ASSY BMRW66G, ST85X42

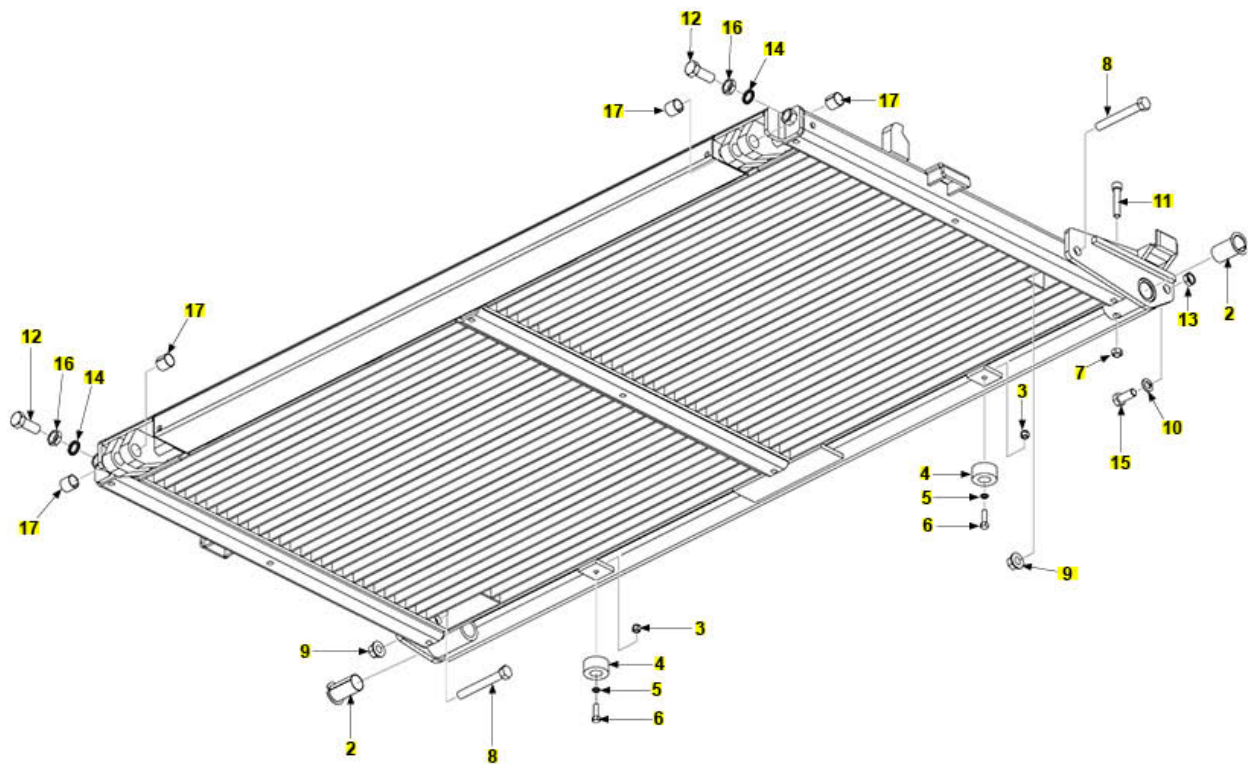
SPARE PARTS LIST
BMR 3300 4400 5500 6600

PLATFORM ASSEMBLY GRATING (STEEL)

OCT 2016 to present

COMPLETE ASSEMBLY:

PLATFORM ASSEMBLY GRATING (STEEL)



SPARE PARTS LIST
BMR 3300 4400 5500 6600

Pos	CPN	Qty	Description
2	908007-05	1	BEARING, FLANGE, SELF LUBE, 2-1/4" I.D. X 2-1/2" LG.
3	901002	1	NYLON LOCK NUT, 3/6"-16
4	253516	1	RUBBER BUMPER
5	902000-10	1	FLAT WASHER, 3/8"
6	900014-5	1	HEX HEAD BOLT, 3/8"-16 X 1-1/4" LG, GRADE 8
7	040066	1	NYLON LOCK NUT, 1/2"-13
8	900055-16	1	HEX HEAD SCREW, 5/8"-11 X 5" LG.
9	903136-05	1	LOCK NUT, FLANGE, 5/8"-11
10	902011-8	1	LOCK WASHER, 5/8" X 3/16" THICK
11	900036-11	1	SOCKET SCREW, 1/2"-13 X 2-1/5" LG.
12	900038-7	1	HEX HEAD CAP SCREW, 3/4"-10 X 2" LG, GRADE 8
13	030331	1	JAM NUT, 5/8"-11
14	903435-10	1	LOCK WASHER, 3/4"-M18
15	900055-02	1	HEX HEAD SCREW, 5/8"-11 X 1-1/2" LG.
16	030335	1	JAM NUT, 3/4"-10
17	253657	1	BEARING, SELF LUBE, 1" DIA. X 1" LG.
REF	288970-601G	1	P/F ASSY BMRB66G,ST80X30
REF	288970-602G	1	P/F ASSY BMRB66G,ST80X36
REF	288970-603G	1	P/F ASSY BMRB66G,ST80X42
REF	288970-611G	1	P/F ASSY BMRBW66G,ST85X30
REF	288970-612G	1	P/F ASSY BMRBW66G,ST85X36
REF	288970-613G	1	P/F ASSY BMRBW66G,ST85X42

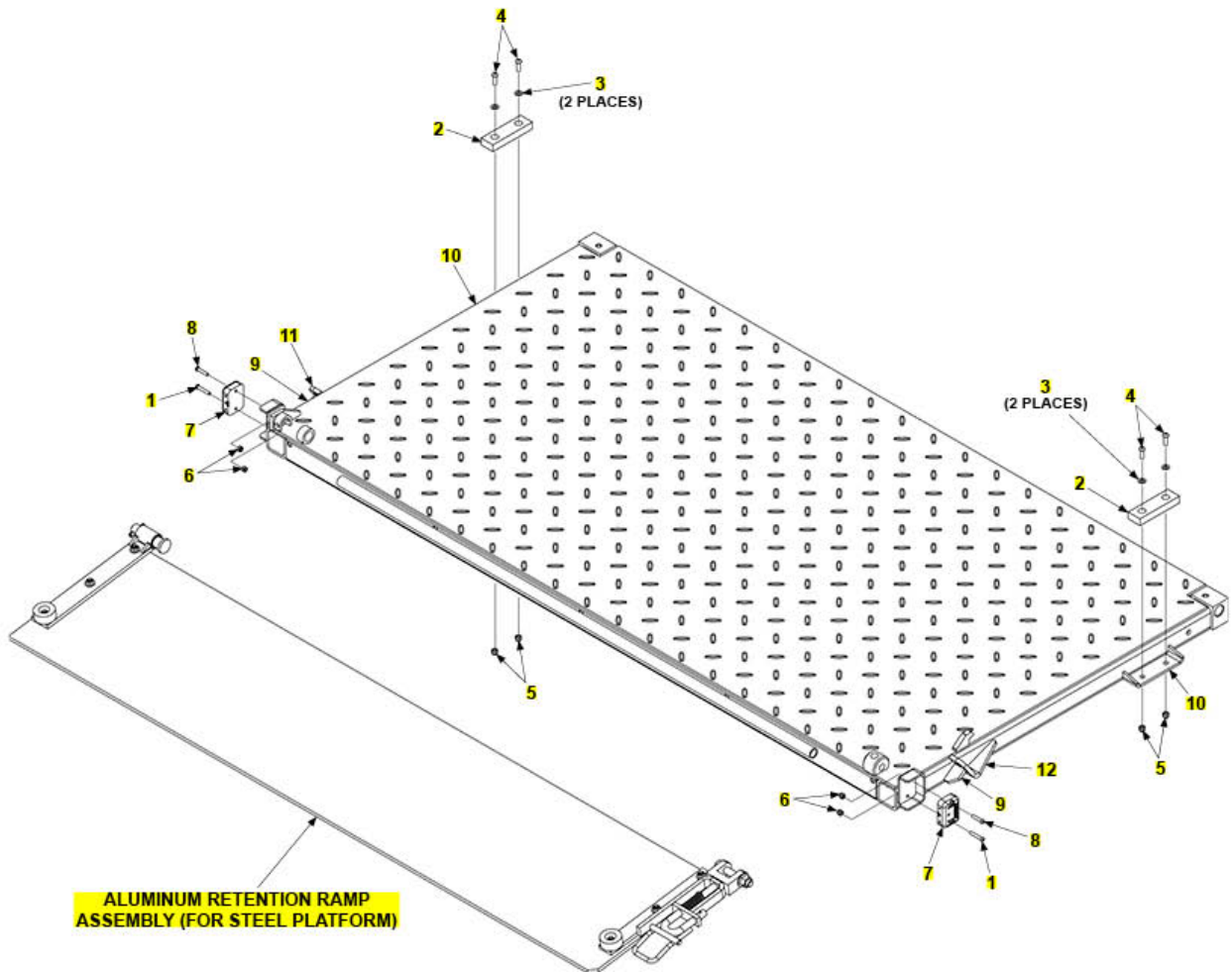
SPARE PARTS LIST
BMR 3300 4400 5500 6600

FLIPOVER WITH RETENTION RAMP (STEEL)

OCT 2018 to present

NOTE: Items 9, 10, 11, and 12 are not galvanized or painted. Apply cold galvanize spray after welds cool.

COMPLETE ASSEMBLY:
FLIPOVER WITH RETENTION RAMP (STEEL)



SPARE PARTS LIST
BMR 3300 4400 5500 6600

Pos	CPN	Qty	Description
REF	298170-601G	1	F/O ASSY, ST80X30+16ARR,GALV,BMR
REF	298170-602G	1	F/O ASSY, ST80X36+16ARR,GALV,BMR
REF	298170-603G	1	F/O ASSY, ST80X42+16ARR,GALV,BMR
REF	298170-604G	1	F/O ASSY, ST80X24+16ARR,GALV,BMR
REF	298170-611G	1	F/O ASSY, ST85X30+16ARR,GALV,BMR
REF	298170-612G	1	F/O ASSY, ST85X36+16ARR,GALV,BMR
REF	298170-613G	1	F/O ASSY, ST85X42+16ARR,GALV,BMR
REF	298170-614G	1	F/O ASSY, ST85X24+16ARR,GALV,BMR
1	900719-09	2	SCREW,BUTTON.25-20 X1.5 SS
2	225278-02	2	BUMPER, 3/4" x 1-1/2" x 5"
3	902013-10	4	FLAT WASHER, 5/16"
4	900001-3	4	BUTTON HEAD SCREW, 5/16"-18 X 1" LG.
5	903106-10	4	NYLON LOCK NUT, 5/16"-18
6	903137-01	4	NYLON LOCK NUT, 1/4"-20
7	907362-01	2	FLASHING SAFETY LIGHT
8	900719-08	2	BUTTON SCREW, 1/4"-20 X 1-1/4"
9	286837-01	2	SUPPORT GUSSET
10	287579-01	2	BRACKET, BUMPER HOLDER
11	298862-01	1	BRACKET,U-BOLT HOLDER,LH F/O
12	298862-02	1	BRACKET,U-BOLT HOLDER,RH F/O

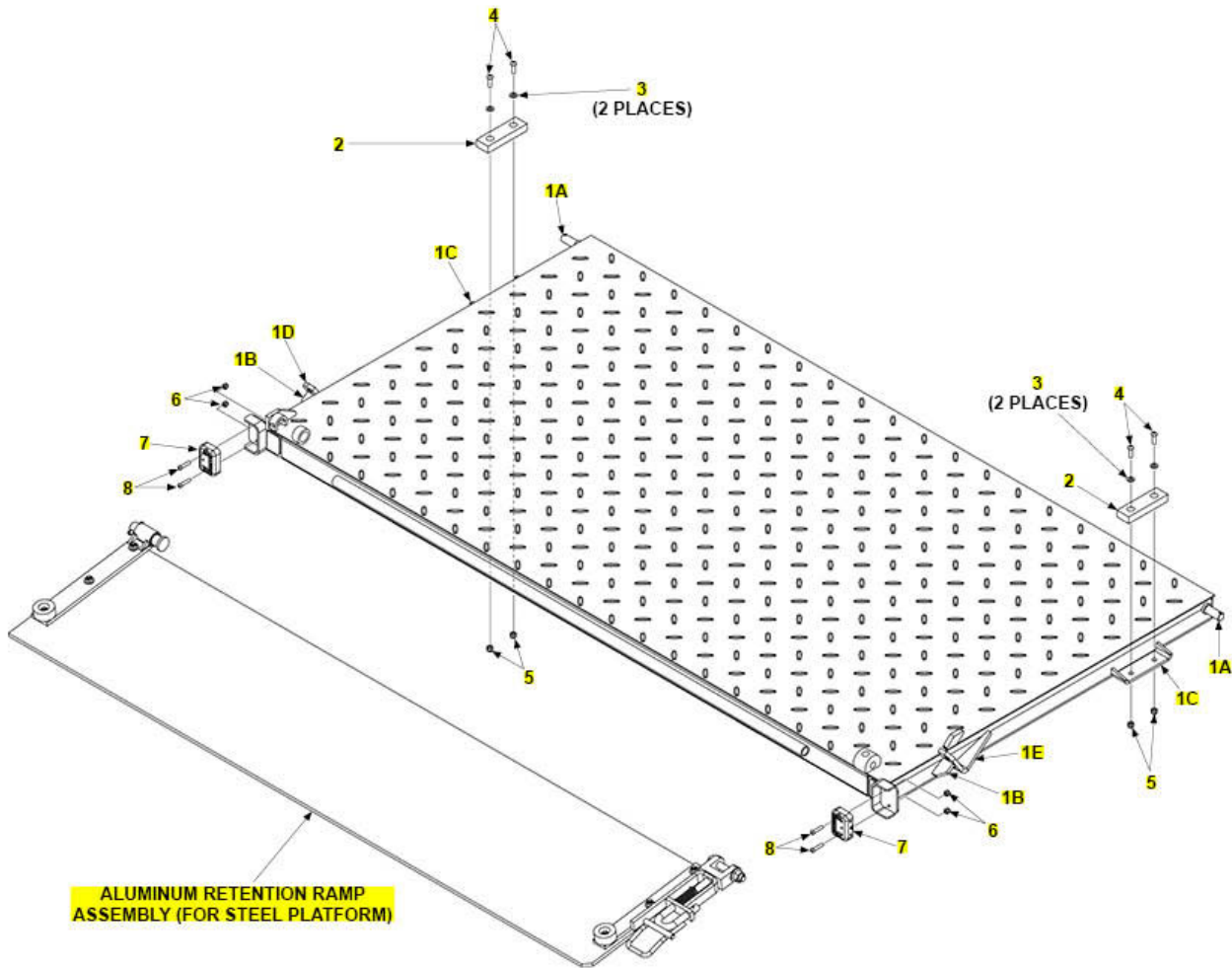
SPARE PARTS LIST
BMR 3300 4400 5500 6600
 (Oct 2016 to Sept 2018)

FLIPOVER WITH RETENTION RAMP (STEEL)

OCT 2016 to SEPT 2018

NOTE: Items 1A, 1B, 1C, 1D, and 1E are not galvanized or painted. Apply cold galvanize spray after welds cool.

COMPLETE ASSEMBLY:
FLIPOVER WITH RETENTION RAMP (STEEL)



SPARE PARTS LIST
BMR 3300 4400 5500 6600
(Oct 2016 to Sept 2018)

Pos	CPN	Qty	Description
2	225278-02	1	BUMPER, 3/4" x 1-1/2" x 5"
3	902013-10	1	FLAT WASHER, 5/16"
4	900001-3	1	BUTTON HEAD SCREW, 5/16"-18 X 1" LG.
5	903106-10	1	NYLON LOCK NUT, 5/16"-18
6	903137-01	1	NYLON LOCK NUT, 1/4"-20
7	907150-01	1	FLASHING SAFETY LIGHT
8	900719-08	1	BUTTON SCREW, 1/4"-20 X 1-1/4"
1A	280194	1	PIN, CHAIN SUPPORT
1B	286837-01	1	SUPPORT GUSSET
1C	287579-01	1	BRACKET, BUMPER HOLDER
1D	288944-01	1	BRACKET,U-BOLT HOLDER,LH F/O
1E	288944-02	1	BRACKET,U-BOLT HOLDER,RH F/O
REF	296056-601G	1	F/O,ARR ASSY BMR66G, ST80X30
REF	296056-602G	1	F/O,ARR ASSY BMR66G, ST80X36
REF	296056-603G	1	F/O,ARR ASSY BMR66G, ST80X42
REF	296056-604G	1	F/O,ARR ASSY BMR66G, ST80X24
REF	296056-611G	1	F/O,ARR ASSY BMRW66G, ST85X30
REF	296056-612G	1	F/O,ARR ASSY BMRW66G, ST85X36
REF	296056-613G	1	F/O,ARR ASSY BMRW66G, ST85X42
REF	296056-614G	1	F/O,ARR ASSY BMRW66G, ST85X24

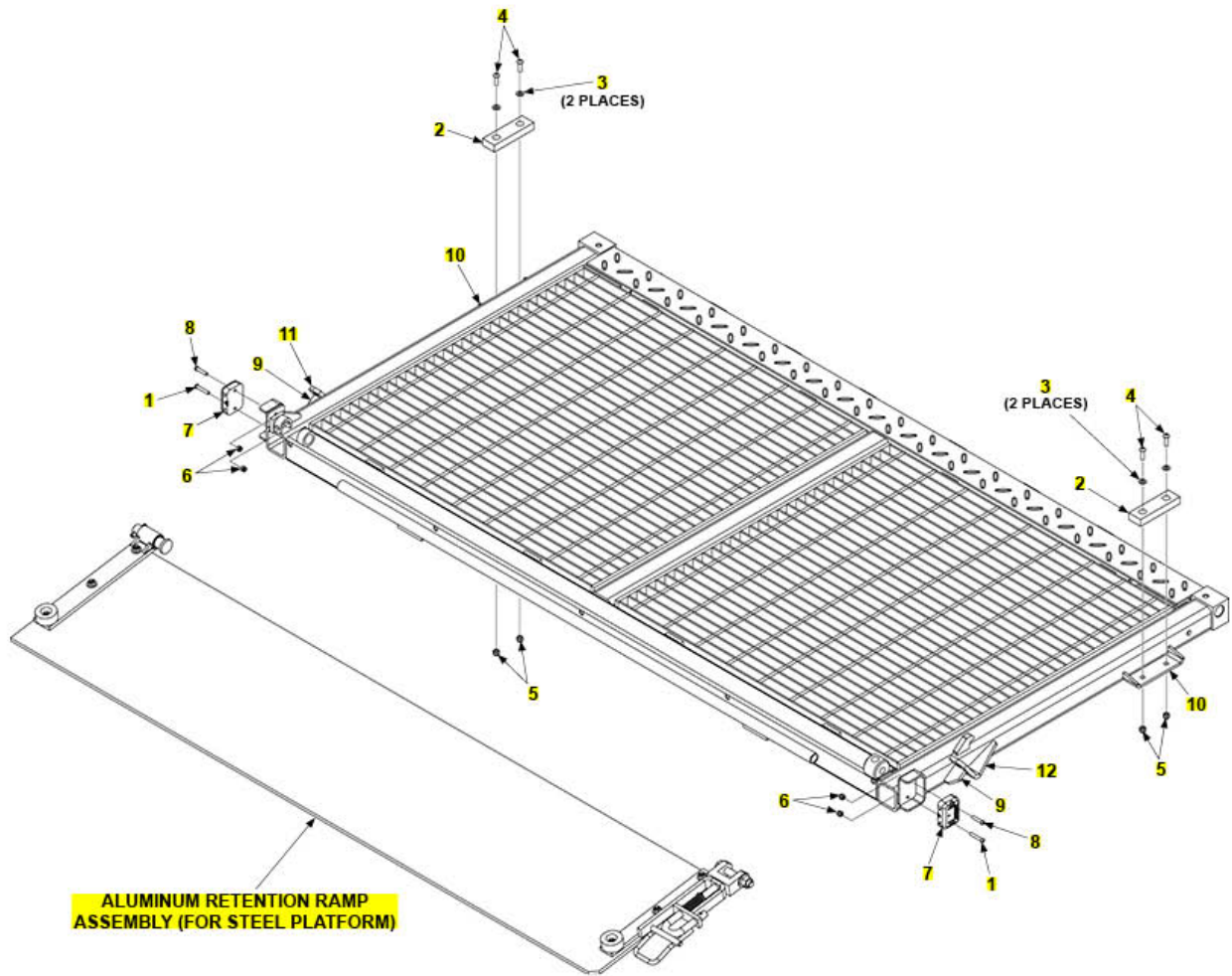
SPARE PARTS LIST
BMR 3300 4400 5500 6600

FLIPOVER WITH RETENTION RAMP (STEEL, GRATING)

OCT 2018 to present

NOTE: Items 9, 10, 11, and 12 are not galvanized or painted. Apply cold galvanize spray after welds cool.

COMPLETE ASSEMBLY:
FLIPOVER WITH RETENTION RAMP (STEEL, GRATING)



SPARE PARTS LIST
BMR 3300 4400 5500 6600

Pos	CPN	Qty	Description
REF	298815-601G	1	F/O ASSY, GR-ST80X30+16ARR,GALV,BMR
REF	298815-602G	1	F/O ASSY, GR-ST80X36+16ARR,GALV,BMR
REF	298815-603G	1	F/O ASSY, GR-ST80X42+16ARR,GALV,BMR
REF	298815-604G	1	F/O ASSY, GR-ST80X24+16ARR,GALV,BMR
REF	298815-611G	1	F/O ASSY, GR-ST85X30+16ARR,GALV,BMR
REF	298815-612G	1	F/O ASSY, GR-ST85X36+16ARR,GALV,BMR
REF	298815-613G	1	F/O ASSY, GR-ST85X42+16ARR,GALV,BMR
REF	298815-614G	1	F/O ASSY, GR-ST85X24+16ARR,GALV,BMR
1	900719-09	2	SCREW,BUTTON.25-20 X1.5 SS
2	225278-02	2	BUMPER, 3/4" x 1-1/2" x 5"
3	902013-10	4	FLAT WASHER, 5/16"
4	900001-3	4	BUTTON HEAD SCREW, 5/16"-18 X 1" LG.
5	901001	4	NYLON LOCK NUT, 5/16"-18
6	903137-01	4	NYLON LOCK NUT, 1/4"-20
7	907362-01	2	FLASHING SAFETY LIGHT
8	900719-08	2	BUTTON SCREW, 1/4"-20 X 1-1/4"
9	286837-01	2	SUPPORT GUSSET
10	287579-01	1	BRACKET, BUMPER HOLDER
11	298862-01	1	BRACKET,U-BOLT HOLDER,LH F/O
12	298862-02	1	BRACKET,U-BOLT HOLDER,RH F/O

SPARE PARTS LIST
BMR 3300 4400 5500 6600
(Oct 2016 to Sept 2018)

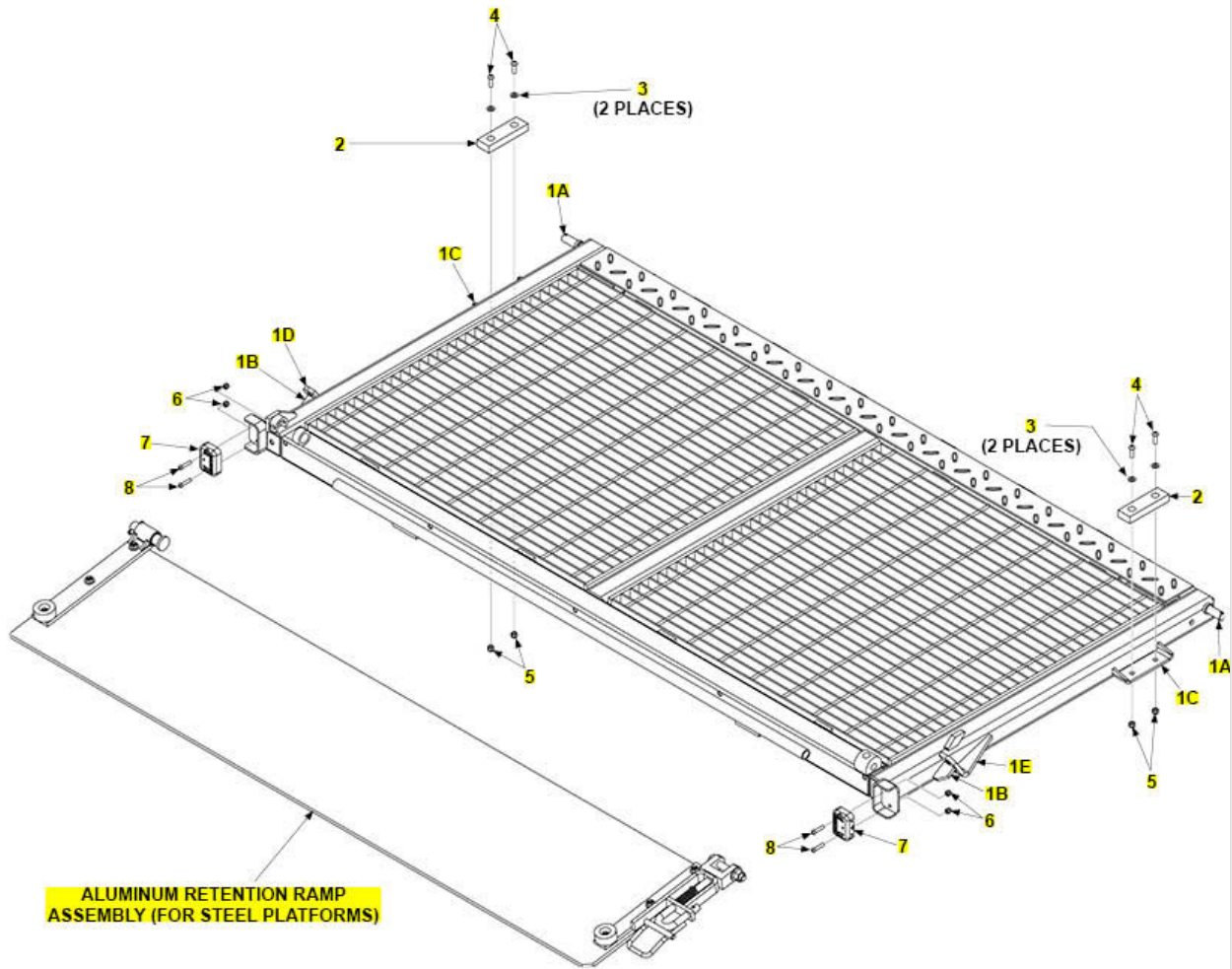
FLIPOVER WITH RETENTION RAMP (STEEL, GRATING)

OCT 2016 to SEPT 2018

NOTE: Items 1A, 1B, 1C, 1D, and 1E are not galvanized or painted. Apply cold galvanize spray after welds cool.

COMPLETE ASSEMBLY:

FLIPOVER WITH RETENTION RAMP (STEEL, GRATING)



SPARE PARTS LIST
BMR 3300 4400 5500 6600
 (Oct 2016 to Sept 2018)

Pos	CPN	Qty	Description
2	225278-02	1	BUMPER, 3/4" x 1-1/2" x 5"
3	902013-10	1	FLAT WASHER, 5/16"
4	900001-3	1	BUTTON HEAD SCREW, 5/16"-18 X 1" LG.
5	901001	1	NYLON LOCK NUT, 5/16"-18
6	903137-01	1	NYLON LOCK NUT, 1/4"-20
7	907150-01	1	FLASHING SAFETY LIGHT
8	900719-08	1	BUTTON SCREW, 1/4"-20 X 1-1/4"
1A	280194	1	PIN, CHAIN SUPPORT
1B	286837-01	1	SUPPORT GUSSET
1C	287579-01	1	BRACKET, BUMPER HOLDER
1D	288944-01	1	BRACKET,U-BOLT HOLDER,LH F/O
1E	288944-02	1	BRACKET,U-BOLT HOLDER,RH F/O
REF	288961-601G	1	F/O,ARR ASSY BMRB66G,ST80X30
REF	288961-602G	1	F/O,ARR ASSY BMRB66G,ST80X36
REF	288961-603G	1	F/O,ARR ASSY BMRB66G,ST80X42
REF	288961-604G	1	F/O,ARR ASSY BMRB66G,ST80X24
REF	288961-611G	1	F/O,ARR ASSY BMRBW66G,ST85X30
REF	288961-612G	1	F/O,ARR ASSY BMRBW66G,ST85X36
REF	288961-613G	1	F/O,ARR ASSY BMRBW66G,ST85X42
REF	288961-614G	1	F/O,ARR ASSY BMRBW66G,ST85X24

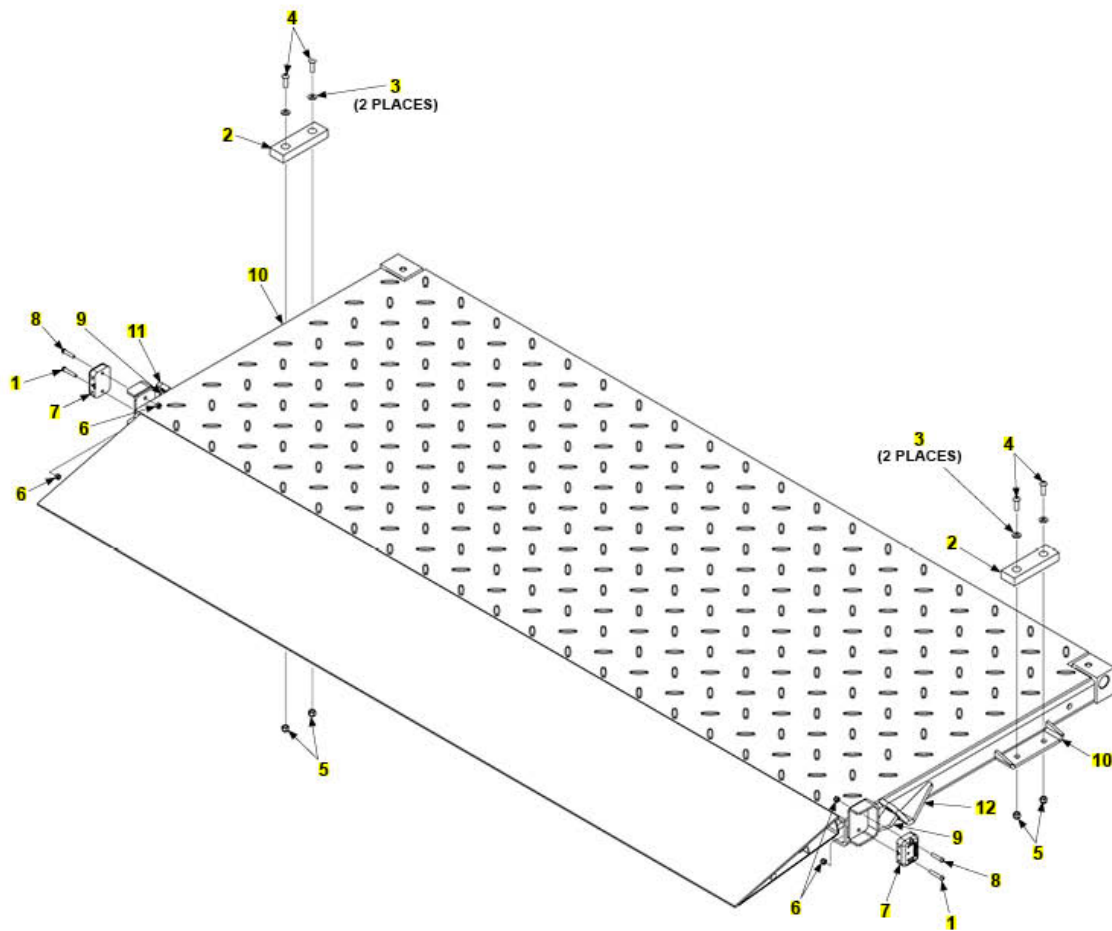
SPARE PARTS LIST
BMR 3300 4400 5500 6600

FLIPOVER WITH FIXED RAMP (STEEL)

OCT 2018 to present

NOTE: Items 9, 10, 11, and 12 are not galvanized or painted. Apply cold galvanize spray after welds cool.

COMPLETE ASSEMBLY:
FLIPOVER WITH FIXED RAMP (STEEL)



SPARE PARTS LIST
BMR 3300 4400 5500 6600

Pos	CPN	Qty	Description
1	900719-09	2	SCREW,BUTTON.25-20 X1.5 SS
2	225278-02	2	BUMPER, 3/4X1.5X5 2HOLE RUBBER
3	902013-10	4	WASHER, FLAT 5/16" SAE, ZC
4	900001-3	4	SCREW, BUT 5/16-18X1 ALLOY
5	901001	4	NUT, NYLON 5/16-18 ZINC
6	901000	4	NUT, NYLON 1/4-20 ZINC
7	907362-01	2	FLASHING SAFETY LIGHT
8	900719-08	2	SCREW,BUTTON.25-20 X1.25 SS
9	286837-01	2	SUPPORT GUSSET
10	287579-01	2	BRACKET, BUMPER HOLDER
11	298862-01	1	BRACKET,U-BOLT HOLDER,LH F/O
12	298862-02	1	BRACKET,U-BOLT HOLDER,RH F/O
REF	298833-606G	1	F/O ASSY, ST80X24+12FIX,GALV,BMR
REF	298833-607G	1	F/O ASSY, ST80X30+12FIX,GALV,BMR
REF	298830-616G	1	P/F,F/O ASSY, ST85X36+24+12FIX,GALV,BMR
REF	298830-617G	1	P/F,F/O ASSY, ST85X42+30+12FIX,GALV,BMR

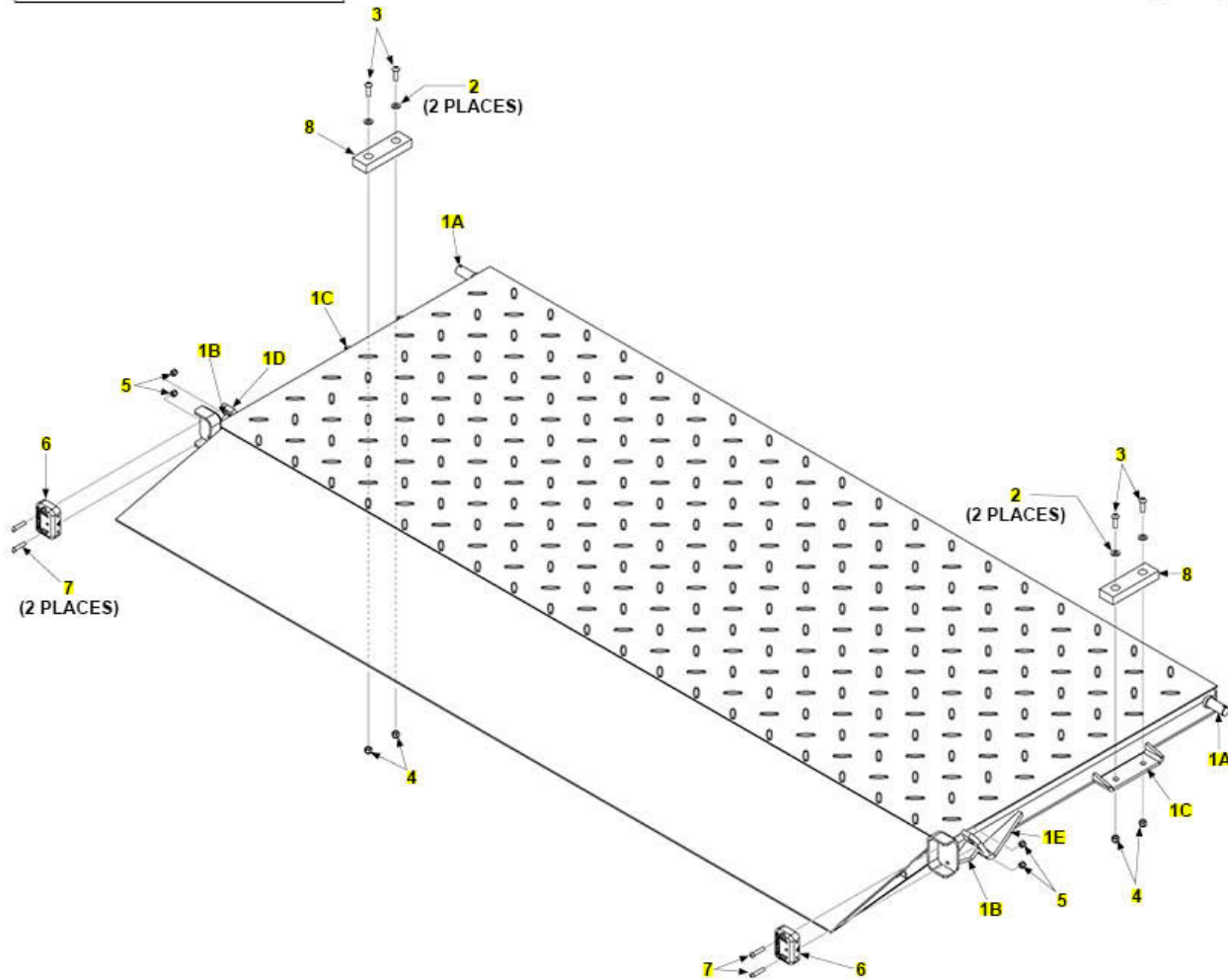
SPARE PARTS LIST
BMR 3300 4400 5500 6600
 (Oct 2016 to Sept 2018)

FLIPOVER WITH FIXED RAMP (STEEL)

OCT 2016 to SEPT 2018

NOTE: Items 1A, 1B, 1C, 1D, and 1E are not galvanized or painted. Apply cold galvanize spray after welds cool.

COMPLETE ASSEMBLY:
FLIPOVER WITH FIXED RAMP (STEEL)



SPARE PARTS LIST
BMR 3300 4400 5500 6600
 (Oct 2016 to Sept 2018)

Pos	CPN	Qty	Description
2	902013-10	1	FLAT WASHER, 5/16"
3	900001-3	1	BUTTON HEAD SCREW, 5/16"-18 X 1" LG.
4	901001	1	NUT,NYLON 5/16-18 ZINC
5	901000	1	NUT, NYLON 1/4-20 ZINC
6	907150-01	1	FLASHING SAFETY LIGHT
7	900719-08	1	BUTTON SCREW, 1/4"-20 X 1-1/4"
8	225278-02	1	BUMPER, 3/4" x 1-1/2" x 5"
1A	280194	1	PIN, CHAIN SUPPORT
1B	286837-01	1	SUPPORT GUSSET
1C	287579-01	1	BRACKET, BUMPER HOLDER
1D	288944-01	1	BRACKET,U-BOLT HOLDER,LH F/O
1E	288944-02	1	BRACKET,U-BOLT HOLDER,RH F/O
REF	296173-606G	1	F/O ASSY BMR66G, ST80X24+12FX
REF	296173-607G	1	F/O ASSY BMR66G, ST80X30+12FX
REF	296173-616G	1	F/O ASSY BMRW66G, ST85X24+12FX
REF	296173-617G	1	F/O ASSY BMRW66G, ST85X30+12FX

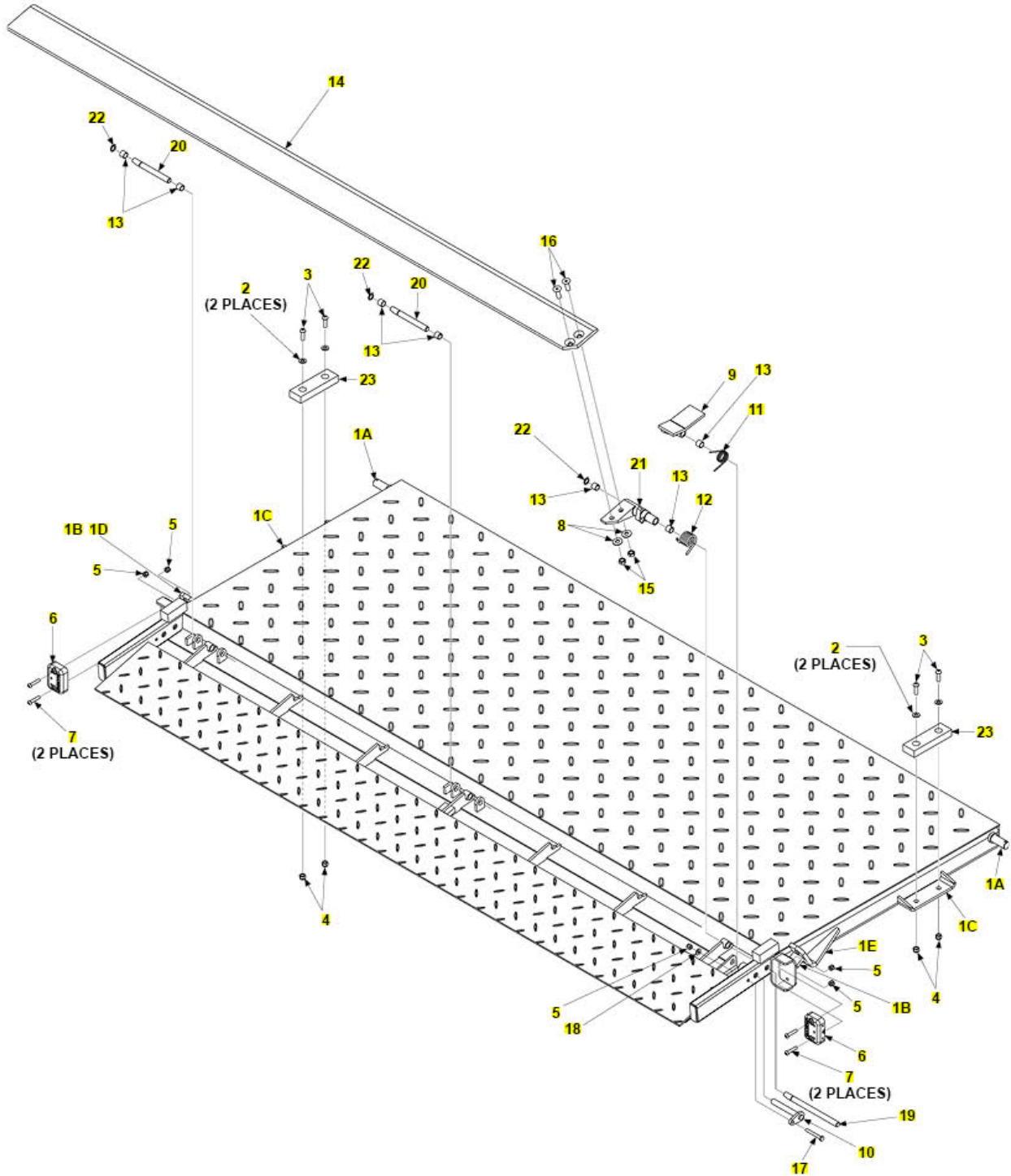
SPARE PARTS LIST
BMR 3300 4400 5500 6600
 (Oct 2016 to Sept 2018)

FLIPOVER WITH SINGLE CART STOP (STEEL)

OCT 2016 to SEPT 2018

NOTE: Items 1A, 1B, 1C, 1D, and 1E are not galvanized or painted. Apply cold galvanize spray after welds cool.

COMPLETE ASSEMBLY:
FLIPOVER WITH SINGLE CART STOP (STEEL)



SPARE PARTS LIST
BMR 3300 4400 5500 6600
(Oct 2016 to Sept 2018)

Pos	CPN	Qty	Description
2	902013-10	1	FLAT WASHER, 5/16"
3	900001-3	1	BUTTON HEAD SCREW, 5/16"-18 X 1" LG.
4	901001	1	NYLON LOCK NUT, 5/16"-18
5	901000	1	NYLON LOCK NUT, 1/4"-20
6	907150-01	1	FLASHING SAFETY LIGHT
7	900719-08	1	BUTTON SCREW, 1/4"-20 X 1-1/4"
8	902001-2	1	FLAT WASHER, 38" X 1/16" THICK
9	260360	1	LOCKING HOOK, RH
10	261693	1	PIN LOCKING HOOK SUPPORT
11	252460	1	SPRING,TORSION.095X3.5LH,302SS
12	202528-01	1	SPRING, TORSION, CART STOP, L/SIDE
13	253542	1	BEARING, SELF-LUBE, 12" X 1/2"
14	253850	1	CART STOP, 3/8", ALUMINUM
15	030955	1	LOCK NUT, 3/8"-16
16	900061-5	1	SOCKET SCREW, 3/4"-16 X 1-1/4" LG.
17	260558	1	HEX HEAD BOLT, 1/4"-20 X 2" LG, GRADE 8
18	902013-09	1	FLAT WASHER, 1/4"
19	261496-02	1	PIN, 7-1/8" LG.
20	261496-01	1	PIN, 4-13/16" LG.
21	260321	1	LOCKING CAM, RH
22	260930-01	1	RETAINING RING, 1" X 1/16"
23	225278-02	1	BUMPER, 3/4" x 1-1/2" x 5"
1A	280194	1	PIN, CHAIN SUPPORT
1B	286837-01	1	SUPPORT GUSSET
1C	287579-01	1	BRACKET, BUMPER HOLDER
1D	288944-01	1	BRACKET,U-BOLT HOLDER,LH F/O
1E	288944-02	1	BRACKET,U-BOLT HOLDER,RH F/O
REF	296621-01G	1	F/O ASSY BMRG66, 80X30+12, SCS
REF	296621-02G	1	F/O ASSY BMRWG66, 85X30+12, SCS
REF	296621-03G	1	F/O ASSY BMRG66, 80X24+12, SCS

17/12/2018

Spare Parts

SPARE PARTS LIST
BMR 3300 4400 5500 6600
(Oct 2016 to Sept 2018)

Pos	CPN	Qty	Description
REF	296621-04G	1	F/O ASSY BMRBG66, 85X24+12, SCS

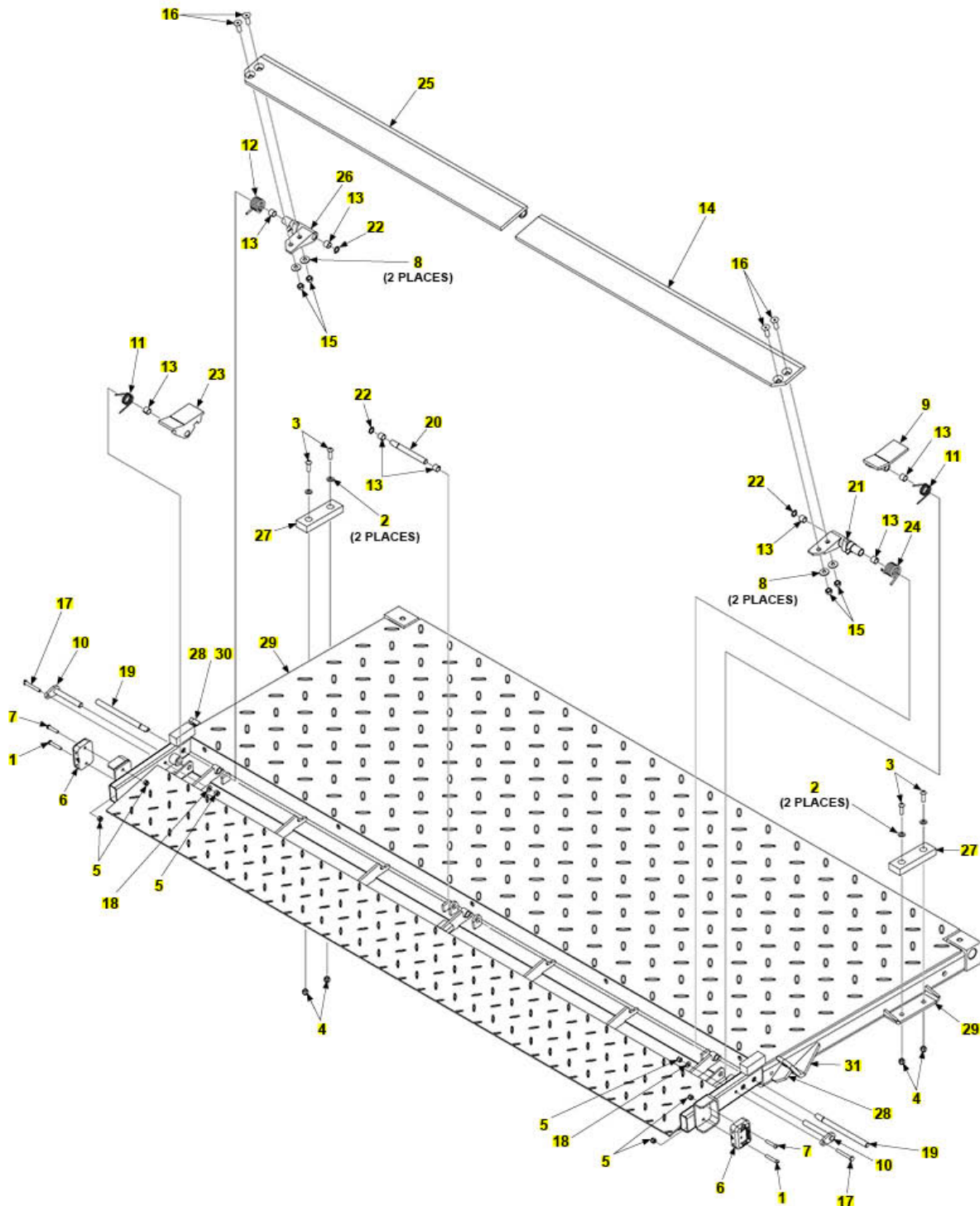
SPARE PARTS LIST
BMR 3300 4400 5500 6600

FLIPOVER WITH DUAL CART STOPS (STEEL)

OCT 2018 to present

NOTE: Items 28, 29, 30, and 31 are not galvanized or painted. Apply cold galvanize spray after welds cool.

COMPLETE ASSEMBLY:
FLIPOVER WITH DUAL CART STOPS (STEEL)



SPARE PARTS LIST
BMR 3300 4400 5500 6600

Pos	CPN	Qty	Description
1	900719-09	2	SCREW,BUTTON.25-20 X1.5 SS
2	902013-10	4	FLAT WASHER, 5/16"
3	900001-3	4	BUTTON HEAD SCREW, 5/16"-18 X 1" LG.
4	901001	4	NYLON LOCK NUT, 5/16"-18
5	901000	6	NYLON LOCK NUT, 1/4"-20
6	907362-01	2	FLASHING SAFETY LIGHT
7	900719-08	2	BUTTON SCREW, 1/4"-20 X 1-1/4"
8	902001-2	4	FLAT WASHER, 3/8" X 1/16" THICK
9	260360-01	1	LOCKING HOOK, CAST L/H
10	261693	2	PIN LOCKING HOOK SUPPORT
11	252460	2	SPRING,TORSION.095X3.5LH,302SS
12	202528-02	1	SPRING, TORSION, CART STOP, R/SIDE
13	253542	8	BEARING, SELF-LUBE, 12" X 1/2"
14	253896	1	CART STOP, 3/8", ALUMINUM
15	030955	4	LOCK NUT, 3/8"-16
16	900061-5	4	SOCKET SCREW, 3/4"-16 X 1-1/4" LG.
17	260558	2	HEX HEAD BOLT, 1/4"-20 X 2" LG, GRADE 8
18	902013-09	2	FLAT WASHER, 1/4"
19	261496-02	2	PIN, 7-1/8" LG.
20	261496-01	1	PIN, 4-13/16" LG.
21	260321	1	LOCKING CAM, RH
22	260930-01	3	RETAINING RING, 1" X 1/16"
23	260360	1	LOCKING HOOK, CAST R/H
24	202528-01	1	TORSION SPRING, 1" LG.
25	253896-01	1	CART STOP, 3/8", ALUMINUM
26	260321-01	1	LOCKING CAM, LH
27	225278-02	2	BUMPER, 3/4" x 1-1/2" x 5"
28	286837-01	2	SUPPORT GUSSET
29	287579-01	2	BRACKET, BUMPER HOLDER
30	298862-01	1	BRACKET,U-BOLT HOLDER,LH F/O

SPARE PARTS LIST
BMR 3300 4400 5500 6600

Pos	CPN	Qty	Description
31	298862-02	1	BRACKET,U-BOLT HOLDER,RH F/O
REF	298874-03G	1	F/O ASSY, ST80X24+12DCS,GALV,BMR
REF	298874-04G	1	F/O ASSY, ST85X24+12DCS,GALV,BMR
REF	298874-01G	1	F/O ASSY, ST80X30+12DCS,GALV,BMR
REF	298874-02G	1	F/O ASSY, ST85X30+12DCS,GALV,BMR

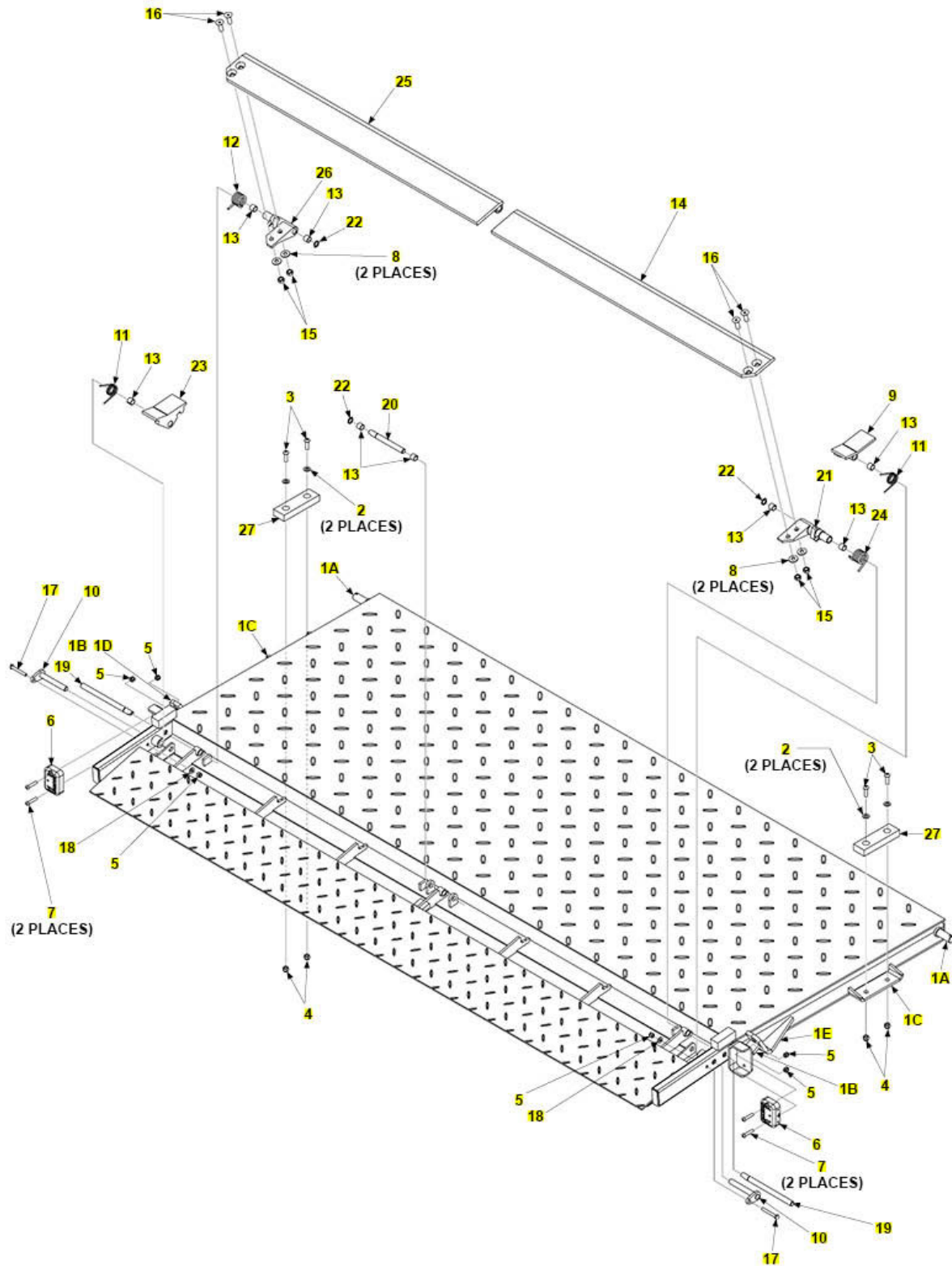
SPARE PARTS LIST
BMR 3300 4400 5500 6600
 (Oct 2016 to Sept 2018)

FLIPOVER WITH DUAL CART STOPS (STEEL)

OCT 2016 to SEPT 2018

NOTE: Items 1A, 1B, 1C, 1D, and 1E are not galvanized or painted. Apply cold galvanize spray after welds cool.

COMPLETE ASSEMBLY:
FLIPOVER WITH DUAL CART STOPS (STEEL)



SPARE PARTS LIST
BMR 3300 4400 5500 6600
 (Oct 2016 to Sept 2018)

Pos	CPN	Qty	Description
2	902013-10	1	FLAT WASHER, 5/16"
3	900001-3	1	BUTTON HEAD SCREW, 5/16"-18 X 1" LG.
4	901001	1	NYLON LOCK NUT, 5/16"-18
5	901000	1	NYLON LOCK NUT, 1/4"-20
6	907150-01	1	FLASHING SAFETY LIGHT
7	900719-08	1	BUTTON SCREW, 1/4"-20 X 1-1/4"
8	902001-2	1	FLAT WASHER, 38" X 1/16" THICK
9	260360-01	1	LOCKING HOOK, CAST L/H
10	261693	1	PIN LOCKING HOOK SUPPORT
11	252460	1	SPRING,TORSION.095X3.5LH,302SS
12	202528-02	1	SPRING, TORSION, CART STOP, R/SIDE
13	253542	1	BEARING, SELF-LUBE, 12" X 1/2"
14	253896	1	CART STOP, 3/8", ALUMINUM
15	030955	1	LOCK NUT, 3/8"-16
16	900061-5	1	SOCKET SCREW, 3/4"-16 X 1-1/4" LG.
17	260558	1	HEX HEAD BOLT, 1/4"-20 X 2" LG, GRADE 8
18	902013-09	1	FLAT WASHER, 1/4"
19	261496-02	1	PIN, 7-1/8" LG.
20	261496-01	1	PIN, 4-13/16" LG.
21	260321	1	LOCKING CAM, RH
22	260930-01	1	RETAINING RING, 1" X 1/16"
23	260360	1	LOCKING HOOK, CAST R/H
24	202528-01	1	TORSION SPRING, 1" LG.
25	253896-01	1	CART STOP, 3/8", ALUMINUM
26	260321-01	1	LOCKING CAM, LH
27	225278-02	1	BUMPER, 3/4" x 1-1/2" x 5"
1A	280194	1	PIN, CHAIN SUPPORT
1B	286837-01	1	SUPPORT GUSSET
1C	287579-01	1	BRACKET, BUMPER HOLDER
1D	288944-01	1	BRACKET,U-BOLT HOLDER,LH F/O

SPARE PARTS LIST
BMR 3300 4400 5500 6600
(Oct 2016 to Sept 2018)

Pos	CPN	Qty	Description
1E	288944-02	1	BRACKET,U-BOLT HOLDER,RH F/O
REF	296622-01G	1	F/O ASSY, BMR66G, 80X30+12, DCS
REF	296622-02G	1	F/O ASSY, BMRW66G, 85X30+12, DCS
REF	296622-03G	1	F/O ASSY, BMR66G, 80X24+12, DCS
REF	296622-04G	1	F/O ASSY, BMRW66G, 85X24+12, DCS

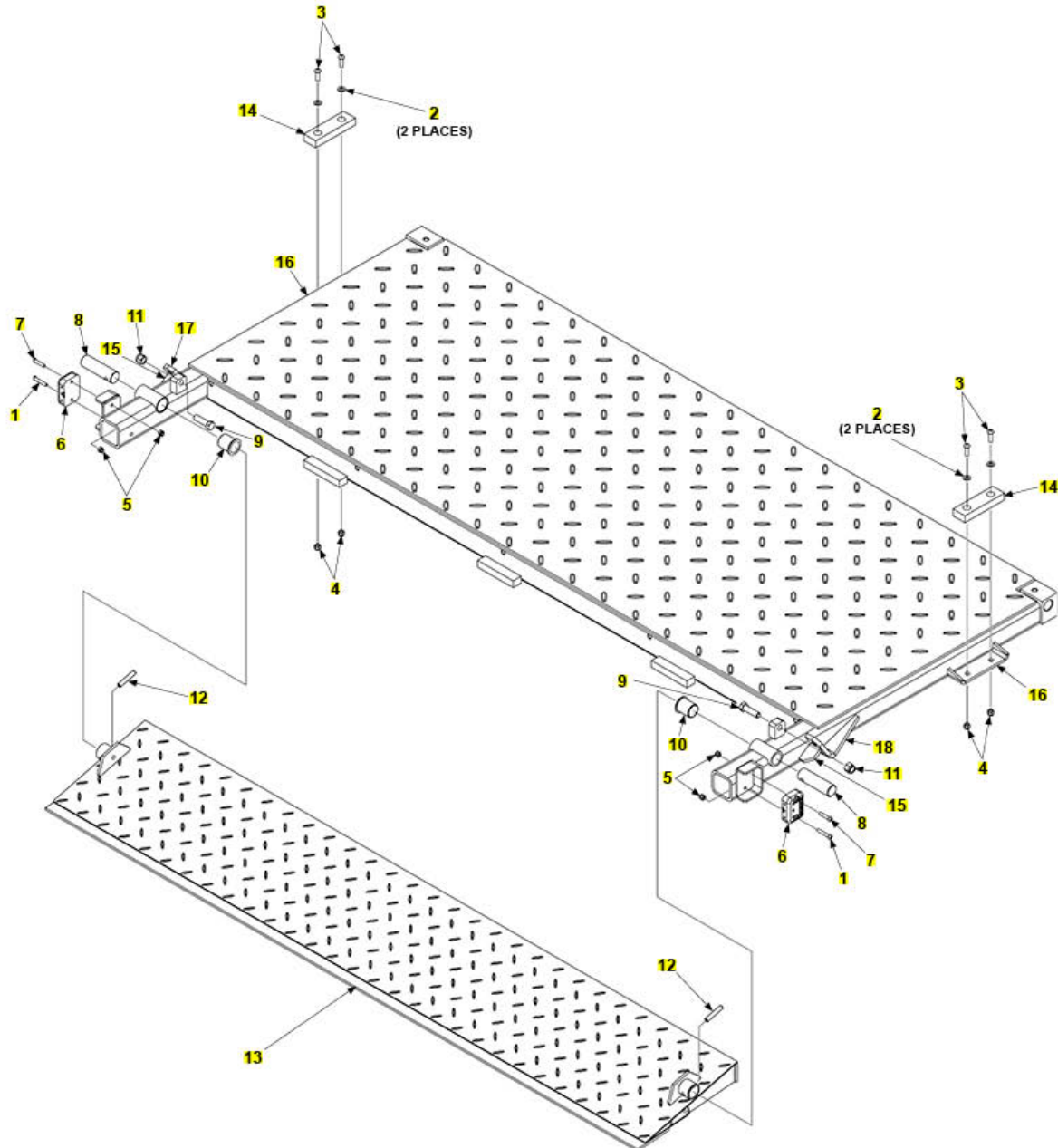
SPARE PARTS LIST
BMR 3300 4400 5500 6600

FLIPOVER WITH AUTO CART STOP (STEEL)

OCT 2018 to present

NOTE: Items 15, 16, 17, and 18 are not galvanized or painted. Apply cold galvanize spray after welds cool.

COMPLETE ASSEMBLY:
FLIPOVER WITH AUTO CART STOPS (STEEL)



SPARE PARTS LIST
BMR 3300 4400 5500 6600

Pos	CPN	Qty	Description
1	900719-09	2	SCREW,BUTTON.25-20 X1.5 SS
2	902013-10	4	FLAT WASHER, 5/16"
3	900001-3	4	SCREW, BUT 5/16-18X1 ALLOY
4	901001	4	NYLON LOCK NUT, 5/16"-18
5	901000	4	NUT, NYLON 1/4-20 ZINC
6	907150-01	2	FLASHING SAFETY LIGHT
7	900719-08	2	SCREW,BUTTON.25-20 X1.25 SS
8	281369-02	2	CART STOP PIN, 1-1/8" DIA. X 3-13/16" LG.
9	900734-07	2	HEX HEAD SCREW,1/2"-13 X 1-3/4" LG.
10	261837-12	2	BUSHING, FLANGE, 1-1/8" I.D. X 1-1/2" LG.
11	903117-01	2	NYLON LOCK NUT, 1/2"-13
12	904717-06	2	ROLL PIN, 3/8" X 2" LG.
13	288752-11G	1	RAMP WLDMT, C/S 12X74.75,GALV
13	288752-12G	1	RAMP WLDMT, C/S 12X79.75,GALV
14	225278-02	2	BUMPER, 3/4" x 1-1/2" x 5"
15	286837-01	2	SUPPORT GUSSET
16	287579-01	2	BRACKET, BUMPER HOLDER
17	298862-01	1	BRACKET,U-BOLT HOLDER,LH F/O
18	298862-02	1	BRACKET,U-BOLT HOLDER,RH F/O
REF	298853-01G	1	F/O ASSY, ST80X30+12ACS,GALV,BMR
REF	298853-02G	1	F/O ASSY, ST85X30+12ACS,GALV,BMR

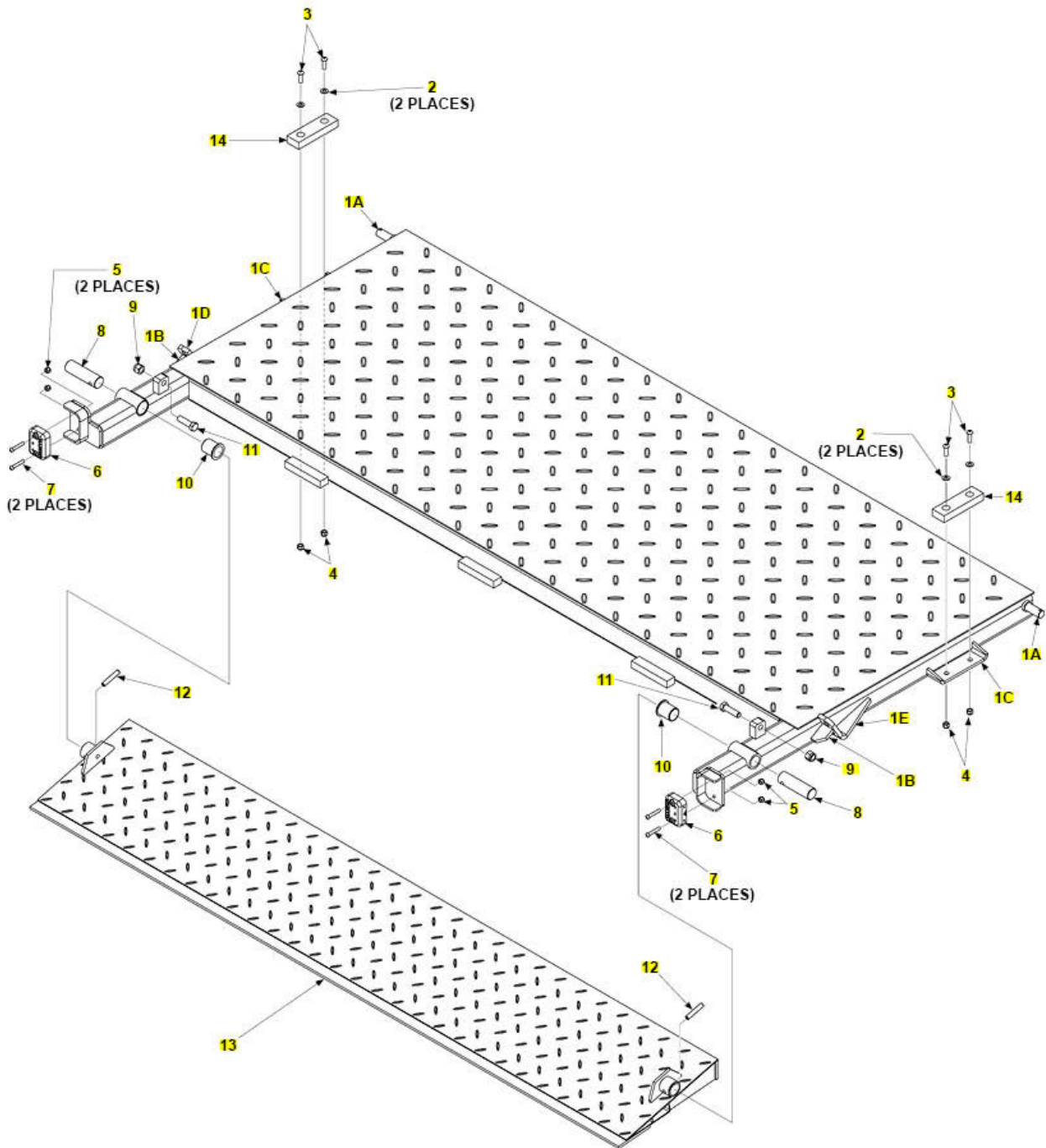
SPARE PARTS LIST
BMR 3300 4400 5500 6600
 (Oct 2016 to Sept 2018)

FLIPOVER WITH AUTO CART STOP (STEEL)

OCT 2016 to SEPT 2018

NOTE: Items 1A, 1B, 1C, 1D, and 1E are not galvanized or painted. Apply cold galvanize spray after welds cool.

COMPLETE ASSEMBLY:
FLIPOVER WITH AUTO CART STOP (STEEL)



SPARE PARTS LIST
BMR 3300 4400 5500 6600
(Oct 2016 to Sept 2018)

Pos	CPN	Qty	Description
2	902013-10	1	FLAT WASHER, 5/16"
3	900001-4	1	SCREW, BTN .31-18X1.25 ALLOY
4	901001	1	NYLON LOCK NUT, 5/16"-18
5	903137-01	1	NYLON LOCK NUT, 1/4"-20
6	907150-01	1	FLASHING SAFETY LIGHT
7	900719-09	1	BUTTON SCREW, 1/4"-20 X 1-1/2"
8	281369-02	1	CART STOP PIN, 1-1/8" DIA. X 3-13/16" LG.
9	900734-07	1	HEX HEAD SCREW, 1/2"-13 X 1-3/4" LG.
10	261837-12	1	BUSHING, FLANGE, 1-1/8" I.D. X 1-1/2" LG.
11	903117-01	1	NYLON LOCK NUT, 1/2"-13
12	904717-06	1	ROLL PIN, 3/8" X 2" LG.
13	288752-11G	1	RAMP WLDMT, C/S 12X74.75,GALV
13	288752-12G	1	RAMP WLDMT, C/S 12X79.75,GALV
14	225278-02	1	BUMPER, 3/4" x 1-1/2" x 5"
1A	280194	1	PIN, CHAIN SUPPORT
1B	286837-01	1	SUPPORT GUSSET
1C	287579-01	1	BRACKET, BUMPER HOLDER
1D	288944-01	1	BRACKET,U-BOLT HOLDER,LH F/O
1E	288944-02	1	BRACKET,U-BOLT HOLDER,RH F/O
REF	296618-01G	1	F/O ASSY, BMR66G, 80X30+12, ACS
REF	296618-02G	1	F/O ASSY, BMRW66G, 85X30+12, ACS

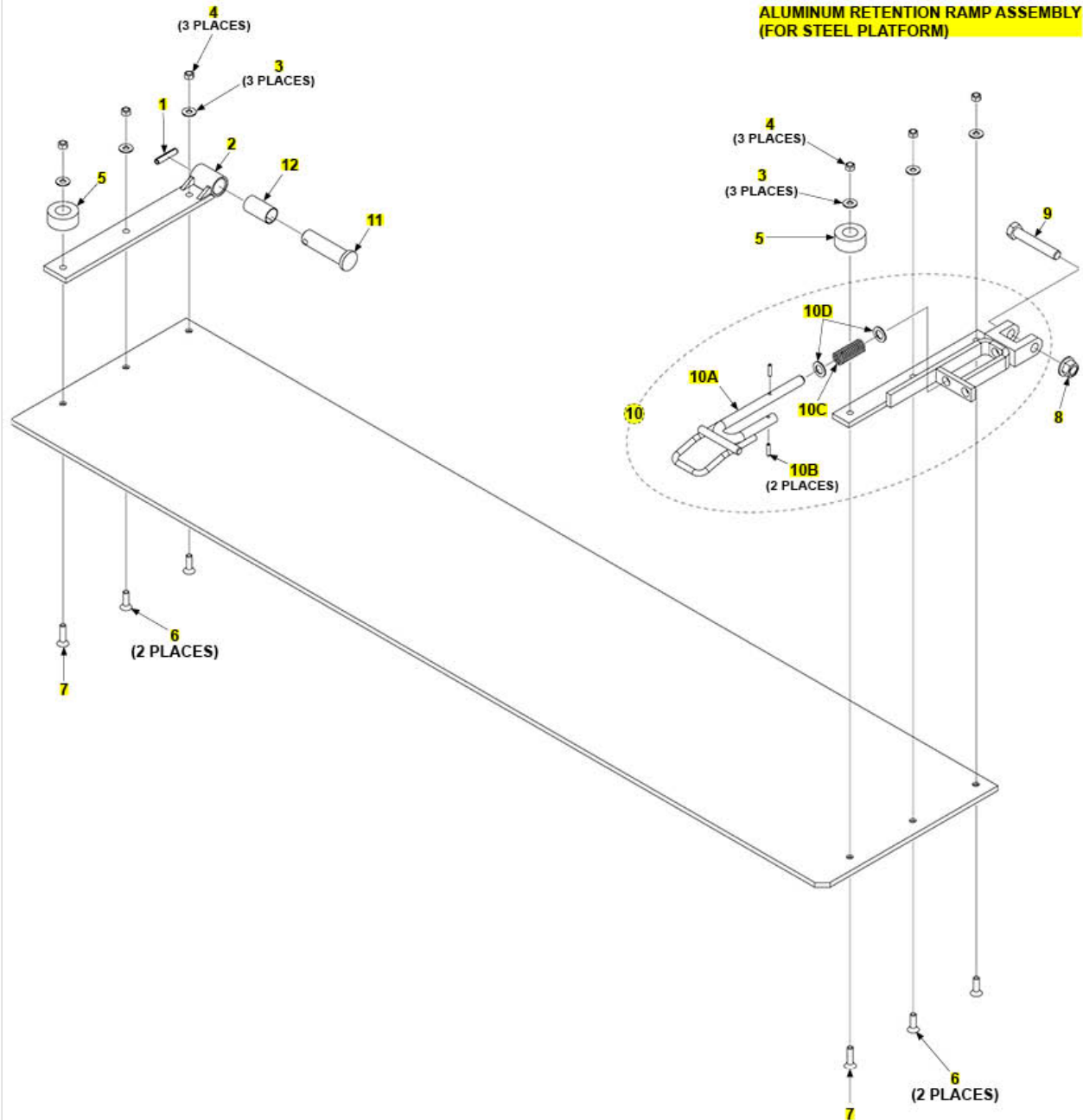
SPARE PARTS LIST
BMR 3300 4400 5500 6600

ALUMINUM RETENTION RAMP ASSEMBLY (FOR STEEL PLATFORM)

OCT 2016 to present

COMPLETE ASSEMBLY:

**ALUMINUM RETENTION RAMP ASSEMBLY
(FOR STEEL PLATFORM)**



SPARE PARTS LIST
BMR 3300 4400 5500 6600

Pos	CPN	Qty	Description
1	904717-05	1	PIN ROLL .38 X 1.75 ZINC
2	253526-01	1	HINGE ARM WELDMENT, LH (GALVANIZED)
3	902001-2	1	FLAT WASHER, 3/8"
4	030955	1	NYLON LOCK NUT, 3/8"-16
5	905363-01	1	RUBBER BUMPER
6	900040-5	1	SCREW, FLAT SOCKET HEAD, 3/8"-16" X 1-1/4" LG.
7	900040-6	1	SCREW, FLAT SOCKET HEAD, 3/8"-16 X 1-1/2" LG.
8	901023-04	1	LOCK NUT, FLANGE, 5/8"-11
9	900055-11	1	HEX HEAD SCREW, 5/8"-11 X 3-3/4" LG.
10	287528-01	1	ARM ASSEMBLY, RH
10A	287575-01	1	PIN LOCKING WELDMENT
10B	904719-09	1	PIN, ROLL, Ø.188 X 1LG, SS
10C	908209-01	1	COMPRESSION SPRING
10D	903434-13	1	WASHER, FLAT, M16, SS
11	253528	1	PIN WELDMENT
12	253541	1	BEARING, SELF LUBE, 1" DIA. X 2" LG.
REF	286845-80	1	ALUMINUM RETENTION RAMP ASSEMBLY, 16" (96" WIDE VEH)
REF	286845-85	1	ALUMINUM RETENTION RAMP ASSEMBLY, 16" (102" WIDE VEH)

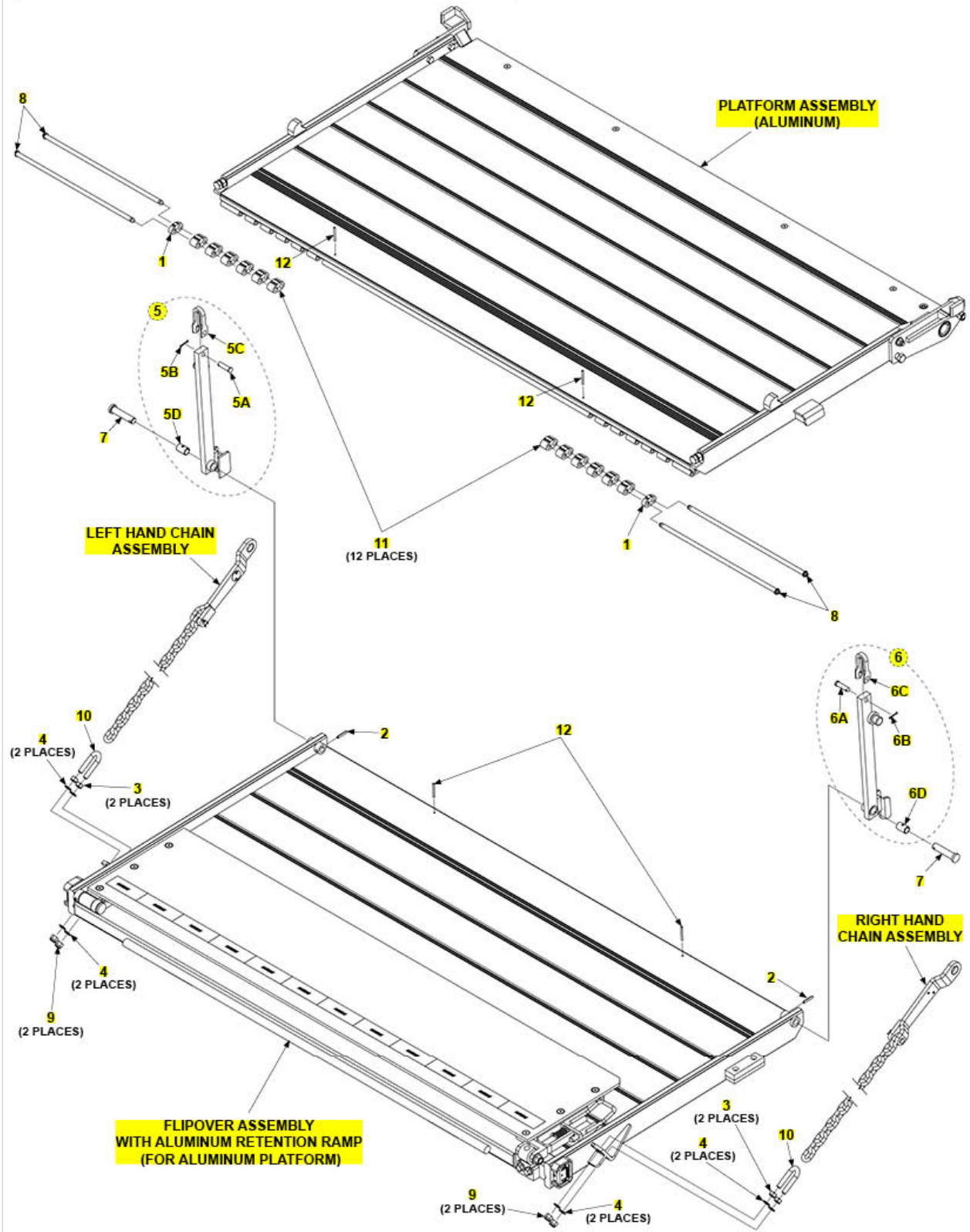
SPARE PARTS LIST
BMR 3300 4400 5500 6600

PLATFORM, FLIPOVER, AND CHAIN ASSEMBLY WITH ALUMINUM RETENTION RAMP (ALUMINUM)

OCT 2018 to present

CAUTION
MAXON recommends replacing Left Hand & Right Hand platform support chains as a set. Possible harm to users or bystanders and/or equipment damage could result if chains are only replaced one at a time.

COMPLETE ASSEMBLY:
PLATFORM, FLIPOVER, AND CHAIN ASSEMBLY WITH ALUMINUM RETENTION RAMP (ALUMINUM)



SPARE PARTS LIST
BMR 3300 4400 5500 6600

Pos	CPN	Qty	Description
1	311046-11	2	LINK SPACER, 1/2" LG.
2	905033-1	2	ROLL PIN, 1/4" X 1-1/2" LG.
3	901011-9	4	NUT, 1/2"-13
4	902000-14	8	FLAT WASHER, 1/2"
5	286880-01	1	OPENER ASSEMBLY LH, 30" + 30" *
5	286880-03	1	OPENER ASSEMBLY LH, 36" + 36" *
5	286880-05	1	OPENER ASSEMBLY LH, 42" + 42" *
5A	905136-02	1	PIN, CLEVIS Ø.500 X 1.750 GR8
5B	030805	1	COTTER PIN, 1/8" X 1" LG.
5C	280644-01	1	ANCHOR SHACKLE
5D	260917-05	1	BEARING, SELF LUBE, 3/4" DIA. X 1-3/8" LG.
6	286880-02	1	OPENER ASSEMBLY RH, 30" + 30" *
6	286880-04	1	OPENER ASSEMBLY RH, 36" + 36" *
6	286880-06	1	OPENER ASSEMBLY RH, 42" + 42" *
6A	905136-02	1	PIN, CLEVIS Ø.500 X 1.750 GR8
6B	030805	1	COTTER PIN, 1/8" X 1" LG.
6C	280644-01	1	ANCHOR SHACKLE
6D	260917-05	1	BEARING, SELF LUBE, 3/4" DIA. X 1-3/8" LG.
7	280195	2	PIN
8	285963-01	4	HINGE PIN
9	901010	4	NYLON LOCK NUT, 1/2"-13
10	282854-01	2	U-BOLT
11	311046-10	12	LINK SPACER, 1" LG.
12	904719-17	4	ROLL PIN, 3/16" X 2" LG.
REF	299150-651MG	1	P/F,F/O ASSY, AL80X30+30+16ARR,MG,BMR
REF	299150-652MG	1	P/F,F/O ASSY, AL80X36+36+16ARR,MG,BMR
REF	299150-653MG	1	P/F,F/O ASSY, AL80X42+42+16ARR,MG,BMR
REF	299150-661MG	1	P/F,F/O ASSY, AL85X30+30+16ARR,MG,BMR
REF	299150-662MG	1	P/F,F/O ASSY, AL85X36+36+16ARR,MG,BMR
REF	299150-663MG	1	P/F,F/O ASSY, AL85X42+42+16ARR,MG,BMR

17/12/2018

Spare Parts

SPARE PARTS LIST
BMR 3300 4400 5500 6600

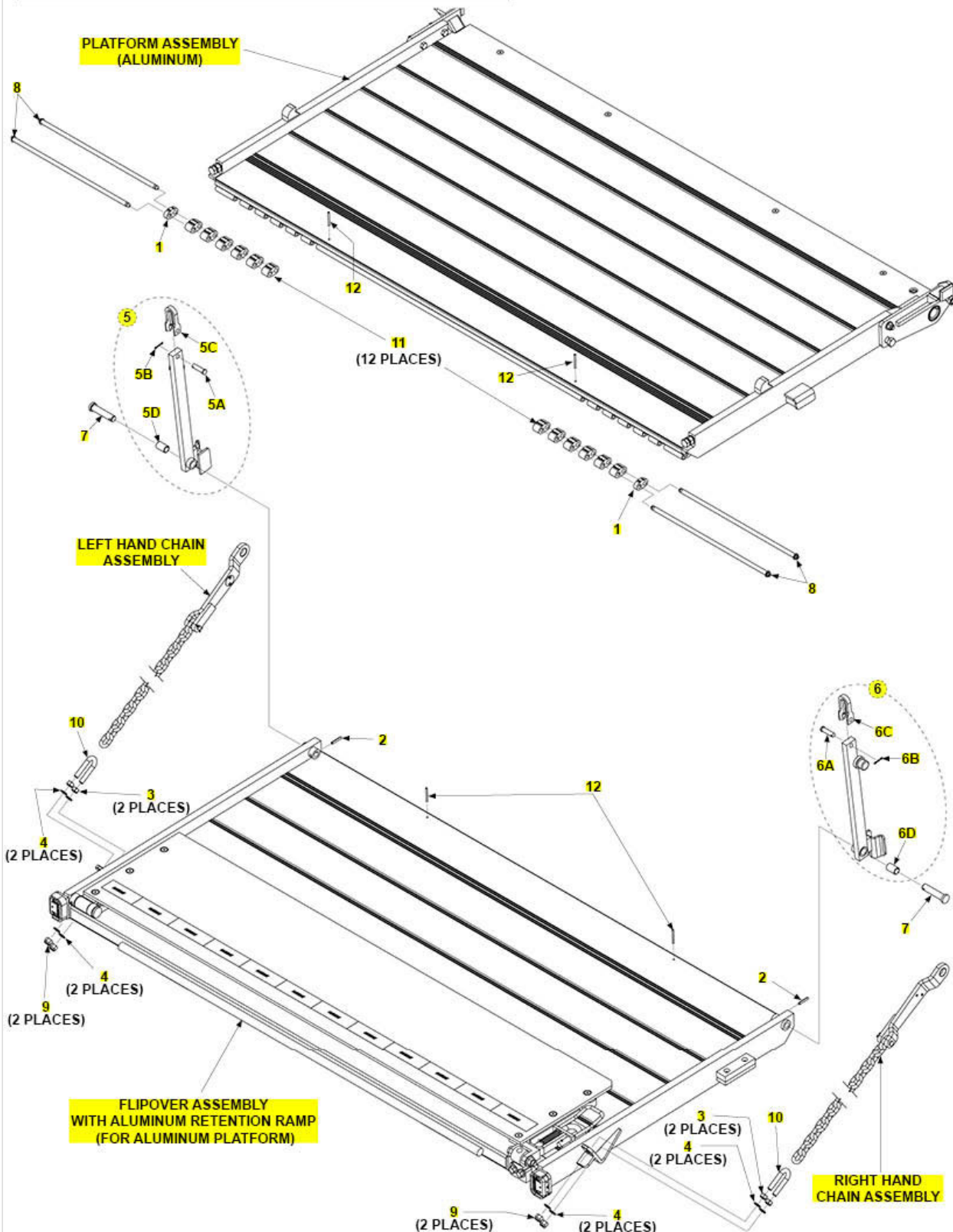
SPARE PARTS LIST
BMR 3300 4400 5500 6600
 (Oct 2016 to Sept 2018)

PLATFORM, FLIPOVER, AND CHAIN ASSEMBLY WITH ALUMINUM RETENTION RAMP (ALUMINUM)

OCT 2016 to SEPT 2018

CAUTION
 MAXON recommends replacing Left Hand & Right Hand platform support chains as a set. Possible harm to users or bystanders and/or equipment damage could result if chains are only replaced one at a time.

COMPLETE ASSEMBLY:
PLATFORM, FLIPOVER, AND CHAIN ASSEMBLY WITH ALUMINUM RETENTION RAMP (ALUMINUM)



SPARE PARTS LIST
BMR 3300 4400 5500 6600
(Oct 2016 to Sept 2018)

Pos	CPN	Qty	Description
2	905033-1	1	ROLL PIN, 1/4" X 1-1/2" LG.
3	901011-9	1	NUT, 1/2"-13
4	902000-14	1	FLAT WASHER, 1/2"
5	286880-01	1	OPENER ASSEMBLY LH, 30" + 30" *
5	286880-03	1	OPENER ASSEMBLY LH, 36" + 36" *
5	286880-05	1	OPENER ASSEMBLY LH, 42" + 42" *
5A	905136-02	1	PIN, CLEVIS Ø.500 X 1.750 GR8
5B	030805	1	COTTER PIN, 1/8" X 1" LG.
5C	280644-01	1	ANCHOR SHACKLE
5D	260917-05	1	BEARING, SELF LUBE, 3/4" DIA. X 1-3/8" LG.
6	286880-02	1	OPENER ASSEMBLY RH, 30" + 30" *
6	286880-04	1	OPENER ASSEMBLY RH, 36" + 36" *
6	286880-06	1	OPENER ASSEMBLY RH, 42" + 42" *
6A	905136-02	1	PIN, CLEVIS Ø.500 X 1.750 GR8
6B	030805	1	COTTER PIN, 1/8" X 1" LG.
6C	280644-01	1	ANCHOR SHACKLE
6D	260917-05	1	BEARING, SELF LUBE, 3/4" DIA. X 1-3/8" LG.
7	280195	1	PIN
8	285963-01	1	HINGE PIN
9	901010	1	NYLON LOCK NUT, 1/2"-13
10	282854-01	1	U-BOLT
11	311046-10	1	LINK SPACER, 1" LG.
12	904719-17	1	ROLL PIN, 3/16" X 2" LG.
REF	286850-651	1	P/F,F/O ASSY, AL80X(30+30+16ARR)
REF	286850-652	1	P/F,F/O ASSY, AL80X(36+36+16ARR)
REF	286850-653	1	P/F,F/O ASSY, AL80X(42+42+16ARR)
REF	286850-661	1	P/F,F/O ASSY, AL85X(30+30+16ARR)
REF	286850-662	1	P/F,F/O ASSY, AL85X(36+36+16ARR)
REF	286850-663	1	P/F,F/O ASSY, AL85X(42+42+16ARR)
REF	286850-651MG	1	P/F,F/O ASSY, AL80X(30+30+16ARR),MG

SPARE PARTS LIST
BMR 3300 4400 5500 6600
 (Oct 2016 to Sept 2018)

Pos	CPN	Qty	Description
REF	286850-652MG	1	P/F,F/O ASSY, AL80X(36+36+16ARR),MG
REF	286850-653MG	1	P/F,F/O ASSY, AL80X(42+42+16ARR),MG
REF	286850-661MG	1	P/F,F/O ASSY, AL85X(30+30+16ARR),MG
REF	286850-662MG	1	P/F,F/O ASSY, AL85X(36+36+16ARR),MG
REF	286850-663MG	1	P/F,F/O ASSY, AL85X(42+42+16ARR),MG
1	311046-11	1	LINK SPACER, 1/2" LG.

SPARE PARTS LIST
BMR 3300 4400 5500 6600

PLATFORM, FLIPOVER, AND CHAIN ASSEMBLY WITH FIXED RAMP (ALUMINUM)

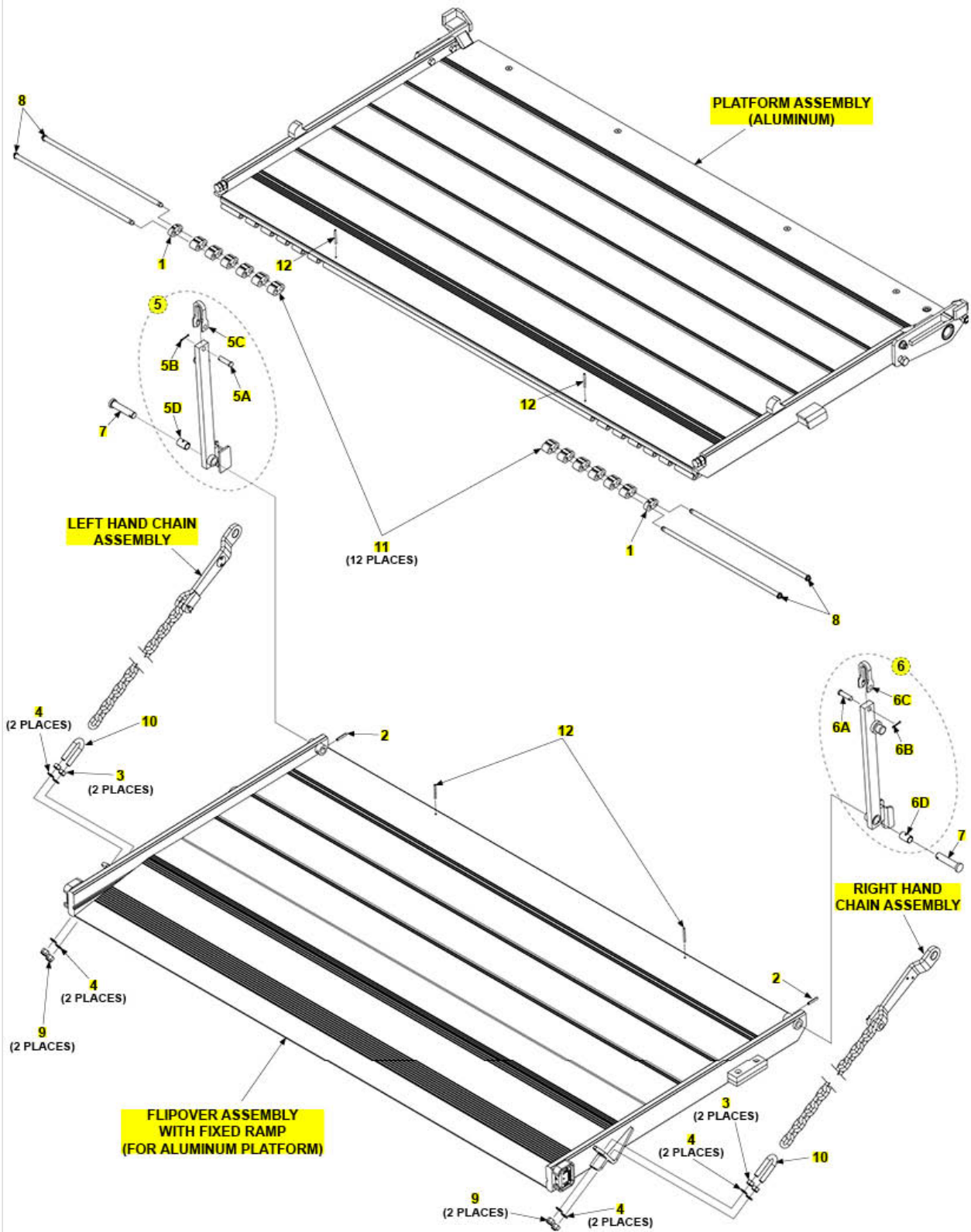
OCT 2018 to present

CAUTION

MAXON recommends replacing Left Hand & Right Hand platform support chains as a set. Possible harm to users or bystanders and/or equipment damage could result if chains are only replaced one at a time.

COMPLETE ASSEMBLY:

PLATFORM, FLIPOVER, AND CHAIN ASSEMBLY WITH FIXED RAMP (ALUMINUM)



SPARE PARTS LIST
BMR 3300 4400 5500 6600

Pos	CPN	Qty	Description
1	311046-11	2	LINK SPACER, 1/2" LG.
2	905033-1	2	ROLL PIN, 1/4" X 1-1/2" LG.
3	901011-9	4	NUT, 1/2"-13
4	902000-14	8	FLAT WASHER, 1/2"
5	286880-03	1	OPENER ASSY BMRB,36+36 P/F,LH
5	286880-05	1	OPENER ASSY BMRB,42+42 P/F,LH
5A	905136-02	1	PIN, CLEVIS Ø.500 X 1.750 GR8
5B	030805	1	COTTER PIN, 1/8" X 1" LG.
5C	280644-01	1	ANCHOR SHACKLE
5D	260917-05	1	BEARING, SELF LUBE, 3/4" DIA. X 1-3/8" LG.
6	286880-04	1	OPENER ASSY BMRB,36+36 P/F,RH
6	286880-06	1	OPENER ASSY BMRB,42+42 P/F,RH
6A	905136-02	1	PIN, CLEVIS Ø.500 X 1.750 GR8
6B	030805	1	COTTER PIN, 1/8" X 1" LG.
6C	280644-01	1	ANCHOR SHACKLE
6D	260917-05	1	BEARING, SELF LUBE, 3/4" DIA. X 1-3/8" LG.
7	280195	2	PIN
8	285963-01	4	HINGE PIN
9	901010	4	NYLON LOCK NUT, 1/2"-13
10	282854-01	2	U-BOLT
11	311046-10	12	LINK SPACER, 1" LG.
12	904719-17	4	ROLL PIN, 3/16" X 2" LG.
REF	299180-656MG	1	P/F & F/O ASSY, AL80X36+24+12FIX,MG,BMR
REF	299180-657MG	1	P/F & F/O ASSY, AL80X42+30+12FIX,MG,BMR
REF	299180-666MG	1	P/F & F/O ASSY, AL85X36+24+12FIX,MG,BMR
REF	299180-667MG	1	P/F & F/O ASSY, AL85X42+30+12FIX,MG,BMR

SPARE PARTS LIST
BMR 3300 4400 5500 6600
(Oct 2016 to Sept 2018)

PLATFORM, FLIPOVER, AND CHAIN ASSEMBLY WITH FIXED RAMP (ALUMINUM)

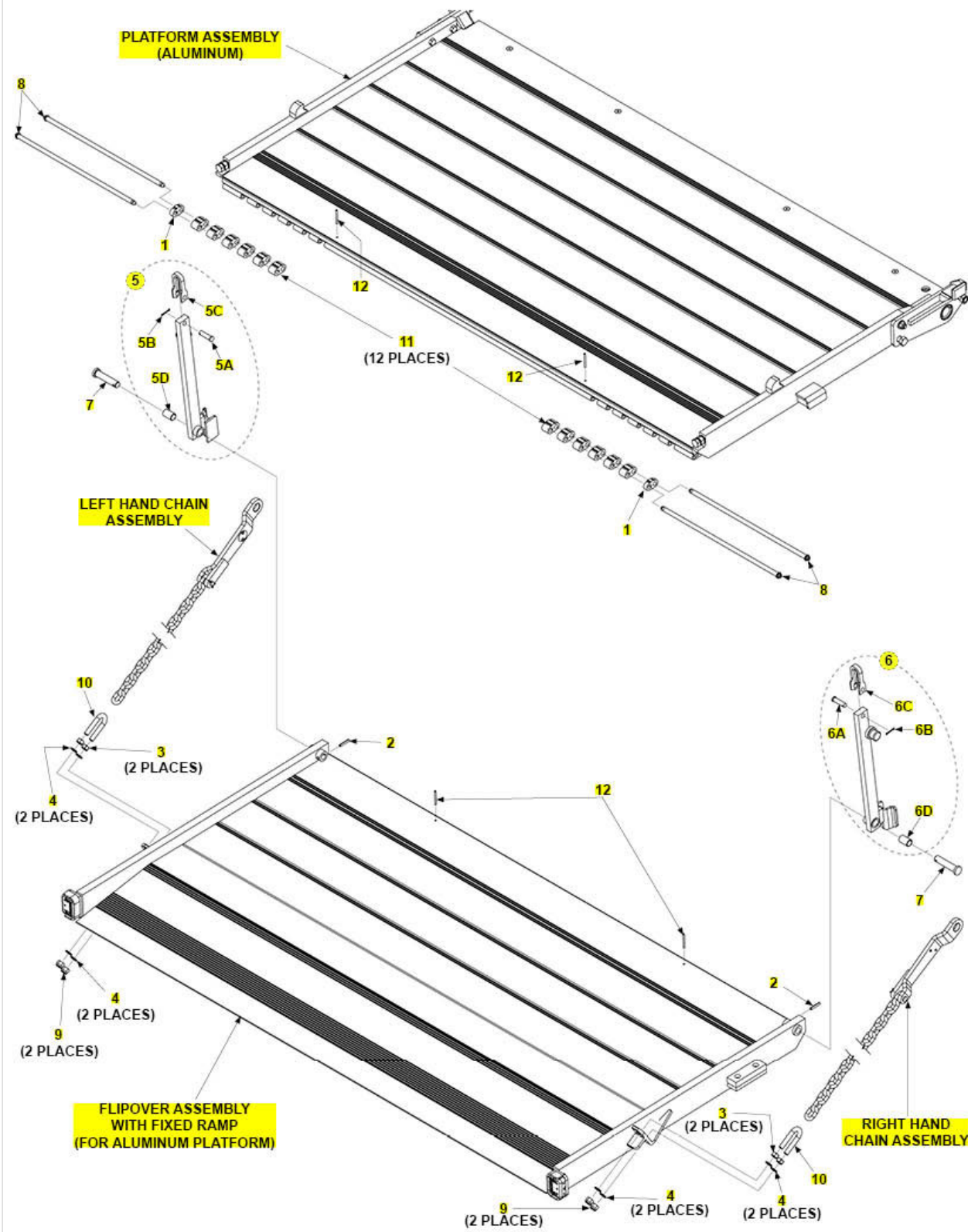
OCT 2016 to SEPT 2018

CAUTION

MAXON recommends replacing Left Hand & Right Hand platform support chains as a set. Possible harm to users or bystanders and/or equipment damage could result if chains are only replaced one at a time.

COMPLETE ASSEMBLY:

PLATFORM, FLIPOVER, AND CHAIN ASSEMBLY WITH FIXED RAMP (ALUMINUM)



SPARE PARTS LIST
BMR 3300 4400 5500 6600
(Oct 2016 to Sept 2018)

Pos	CPN	Qty	Description
2	905033-1	1	ROLL PIN, 1/4" X 1-1/2" LG.
3	901011-9	1	NUT, 1/2"-13
4	902000-14	1	FLAT WASHER, 1/2"
5	286880-07	1	OPENER ASSEMBLY LH, 36" + 24" *
5	286880-09	1	OPENER ASSEMBLY LH, 42" + 30" *
5A	905136-02	1	PIN, CLEVIS Ø.500 X 1.750 GR8
5B	030805	1	COTTER PIN, 1/8" X 1" LG.
5C	280644-01	1	ANCHOR SHACKLE
5D	260917-05	1	BEARING, SELF LUBE, 3/4" DIA. X 1-3/8" LG.
6	286880-08	1	OPENER ASSEMBLY RH, 36" + 24" *
6	286880-10	1	OPENER ASSEMBLY RH, 42" + 30" *
6A	905136-02	1	PIN, CLEVIS Ø.500 X 1.750 GR8
6B	030805	1	COTTER PIN, 1/8" X 1" LG.
6C	280644-01	1	ANCHOR SHACKLE
6D	260917-05	1	BEARING, SELF LUBE, 3/4" DIA. X 1-3/8" LG.
7	280195	1	PIN
8	285963-01	1	HINGE PIN
9	901010	1	NYLON LOCK NUT, 1/2"-13
10	282854-01	1	U-BOLT
11	311046-10	1	LINK SPACER, 1" LG.
12	904719-17	1	ROLL PIN, 3/16" X 2" LG.
REF	288264-656	1	P/F,C-BAR ASSY BMRB,AL80X(36+24+12FIX)
REF	288264-657	1	P/F,C-BAR ASSY BMRB,AL80X(42+30+12FIX)
REF	288264-666	1	P/F,C-BAR ASSY BMRBW,AL85X(36+24+12FIX)
REF	288264-667	1	P/F,C-BAR ASSY BMRBW,AL85X(42+30+12FIX)
REF	288264-656MG	1	P/F,C-BAR ASSY BMRB,AL80X(36+24+12FIX),MG
REF	288264-657MG	1	P/F,C-BAR ASSY BMRB,AL80X(42+30+12FIX),MG

SPARE PARTS LIST
BMR 3300 4400 5500 6600
(Oct 2016 to Sept 2018)

Pos	CPN	Qty	Description
REF	288264-666MG	1	P/F,C-BAR ASSY BMRBW,AL85X(36+24+12FIX),MG
REF	288264-667MG	1	P/F,C-BAR ASSY BMRBW,AL85X(42+30+12FIX),MG
1	311046-11	1	LINK SPACER, 1/2" LG.

SPARE PARTS LIST

BMR 3300 4400 5500 6600

PLATFORM, FLIPOVER, AND CHAIN ASSEMBLY WITH AUTO CART STOP (ALUMINUM)

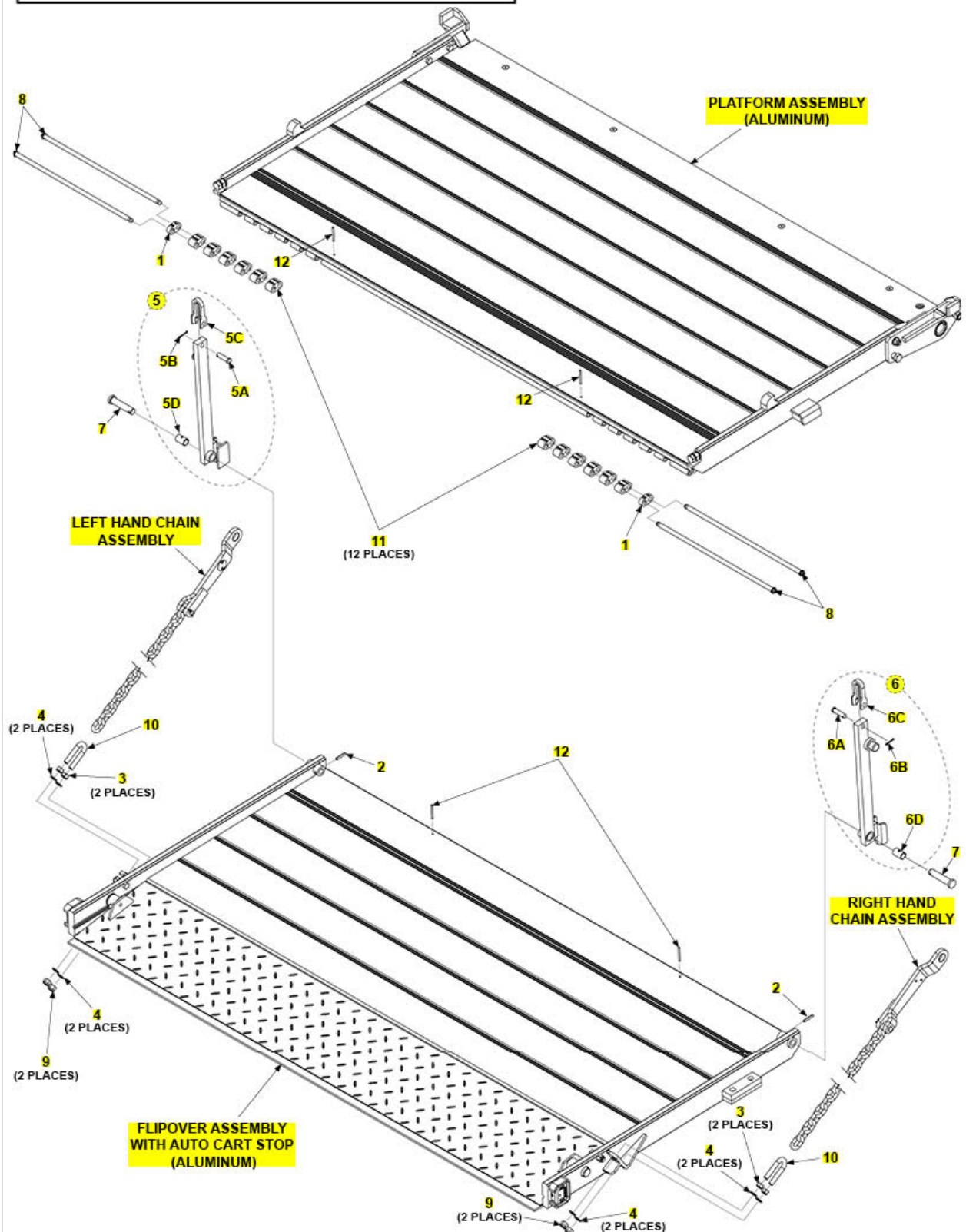
OCT 2018 to present

CAUTION

MAXON recommends replacing Left Hand & Right Hand platform support chains as a set. Possible harm to users or bystanders and/or equipment damage could result if chains are only replaced one at a time.

COMPLETE ASSEMBLY:

PLATFORM, FLIPOVER, AND CHAIN ASSEMBLY WITH AUTO CART STOP (ALUMINUM)



SPARE PARTS LIST
BMR 3300 4400 5500 6600

Pos	CPN	Qty	Description
2	905033-1	2	ROLL PIN, 1/4" X 1-1/2" LG.
3	901011-9	4	NUT, 1/2"-13
4	902000-14	8	FLAT WASHER, 1/2"
5	286880-09	1	OPENER ASSEMBLY LH, 42" + 30" *
5A	905136-02	1	PIN, CLEVIS Ø.500 X 1.750 GR8
5B	030805	1	COTTER PIN, 1/8" X 1" LG.
5C	280644-01	1	ANCHOR SHACKLE
5D	260917-05	1	BEARING, SELF LUBE, 3/4" DIA. X 1-3/8" LG.
6	286880-10	1	OPENER ASSEMBLY RH, 42" + 30" *
6A	905136-02	1	PIN, CLEVIS Ø.500 X 1.750 GR8
6B	030805	1	COTTER PIN, 1/8" X 1" LG.
6C	280644-01	1	ANCHOR SHACKLE
6D	260917-05	1	BEARING, SELF LUBE, 3/4" DIA. X 1-3/8" LG.
7	280195	2	PIN
8	285963-01	4	HINGE PIN
9	901010	4	NYLON LOCK NUT, 1/2"-13
10	282854-01	2	U-BOLT
11	311046-10	12	LINK SPACER, 1" LG.
12	904719-17	4	ROLL PIN, 3/16" X 2" LG.
REF	299160-657MG	1	P/F,F/O ASSY,AL80X42+30+12ACS,MG,BMR
REF	299160-667MG	1	P/F,F/O ASSY,AL85X42+30+12ACS,MG,BMR
1	311046-11	2	LINK SPACER, 1/2" LG.

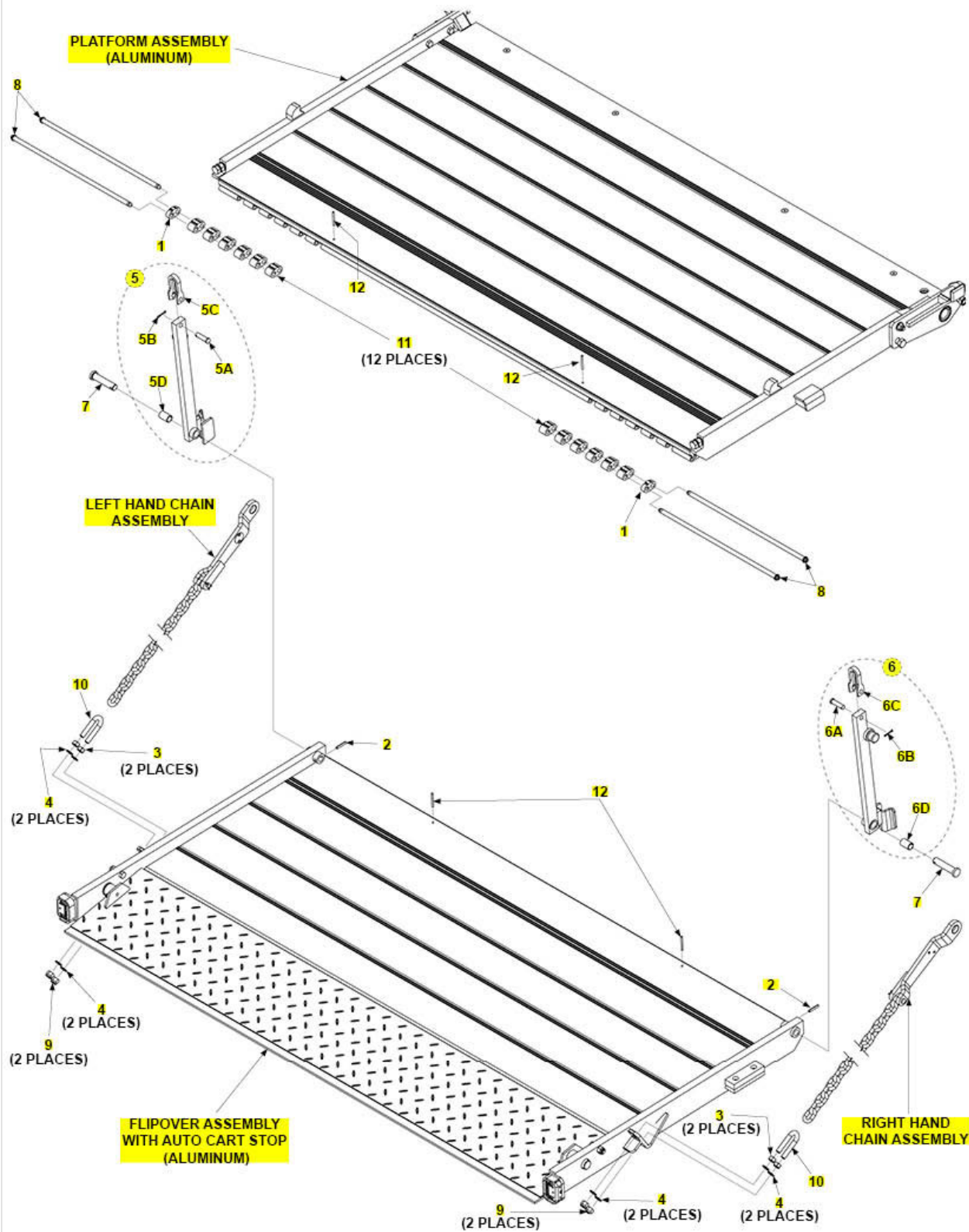
SPARE PARTS LIST
BMR 3300 4400 5500 6600
(Oct 2016 to Sept 2018)

PLATFORM, FLIPOVER, AND CHAIN ASSEMBLY WITH AUTO CART STOP (ALUMINUM)

OCT 2016 to SEPT 2018

CAUTION
MAXON recommends replacing Left Hand & Right Hand platform support chains as a set. Possible harm to users or bystanders and/or equipment damage could result if chains are only replaced one at a time.

COMPLETE ASSEMBLY:
PLATFORM, FLIPOVER, AND CHAIN ASSEMBLY WITH AUTO CART STOP (ALUMINUM)



SPARE PARTS LIST
BMR 3300 4400 5500 6600
(Oct 2016 to Sept 2018)

Pos	CPN	Qty	Description
2	905033-1	1	ROLL PIN, 1/4" X 1-1/2" LG.
3	901011-9	1	NUT, 1/2"-13
4	902000-14	1	FLAT WASHER, 1/2"
5	286880-09	1	OPENER ASSEMBLY LH, 42" + 30" *
5A	905136-02	1	PIN, CLEVIS Ø.500 X 1.750 GR8
5B	030805	1	COTTER PIN, 1/8" X 1" LG.
5C	280644-01	1	ANCHOR SHACKLE
5D	260917-05	1	BEARING, SELF LUBE, 3/4" DIA. X 1-3/8" LG.
6	286880-10	1	OPENER ASSEMBLY RH, 42" + 30" *
6A	905136-02	1	PIN, CLEVIS Ø.500 X 1.750 GR8
6B	030805	1	COTTER PIN, 1/8" X 1" LG.
6C	280644-01	1	ANCHOR SHACKLE
6D	260917-05	1	BEARING, SELF LUBE, 3/4" DIA. X 1-3/8" LG.
7	280195	1	PIN
8	285963-01	1	HINGE PIN
9	901010	1	NYLON LOCK NUT, 1/2"-13
10	282854-01	1	U-BOLT
11	311046-10	1	LINK SPACER, 1" LG.
12	904719-17	1	ROLL PIN, 3/16" X 2" LG.
REF	288762-651	1	P/F,F/O ASSY,BMRB,AL80X(42+30+12ACS)
REF	288762-652	1	P/F,F/O ASSY,BMRBW,AL85X(42+30+12ACS)
REF	288762-651MG	1	P/F,F/O ASSY,BMRB,AL80X(42+30+12ACS),MG
REF	288762-652MG	1	P/F,F/O ASSY,BMRBW,AL85X(42+30+12ACS),MG
1	311046-11	1	LINK SPACER, 1/2" LG.

SPARE PARTS LIST
BMR 3300 4400 5500 6600

PLATFORM, FLIPOVER, AND CHAIN ASSEMBLY WITH DUAL CART STOPS (ALUMINUM)

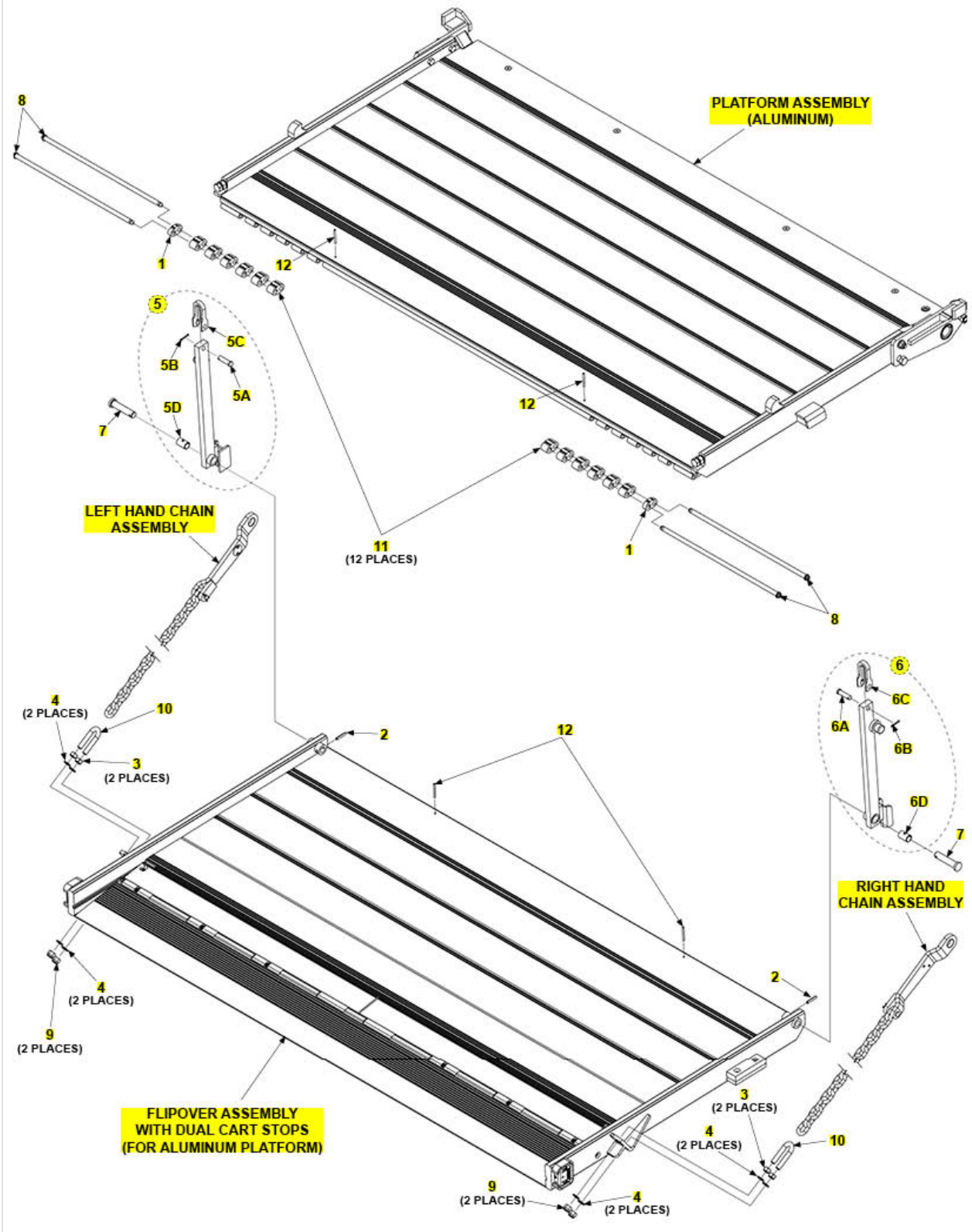
OCT 2018 to present

CAUTION

MAXON recommends replacing Left Hand & Right Hand platform support chains as a set. Possible harm to users or bystanders and/or equipment damage could result if chains are only replaced one at a time.

COMPLETE ASSEMBLY:

PLATFORM, FLIPOVER, AND CHAIN ASSEMBLY WITH DUAL CART STOPS (ALUMINUM)



SPARE PARTS LIST
BMR 3300 4400 5500 6600

Pos	CPN	Qty	Description
1	311046-11	2	LINK SPACER, 1/2" LG.
2	905033-1	2	ROLL PIN, 1/4" X 1-1/2" LG.
3	901011-9	4	NUT, 1/2"-13
4	902000-14	8	FLAT WASHER, 1/2"
5	286880-07	1	OPENER ASSY BMRB,36+24 P/F,LH
5	286880-09	1	OPENER ASSY BMRB,42+30 P/F,LH
5A	905136-02	1	PIN, CLEVIS Ø.500 X 1.750 GR8
5B	030805	1	COTTER PIN, 1/8" X 1" LG.
5C	280644-01	1	ANCHOR SHACKLE
5D	260917-05	1	BEARING, SELF LUBE, 3/4" DIA. X 1-3/8" LG.
6	286880-08	1	OPENER ASSY BMRB,36+24 P/F,RH
6	286880-10	1	OPENER ASSY BMRB,42+30 P/F,RH
6A	905136-02	1	PIN, CLEVIS Ø.500 X 1.750 GR8
6B	030805	1	COTTER PIN, 1/8" X 1" LG.
6C	280644-01	1	ANCHOR SHACKLE
6D	260917-05	1	BEARING, SELF LUBE, 3/4" DIA. X 1-3/8" LG.
7	280195	2	PIN
8	285963-01	4	HINGE PIN
9	901010	4	NYLON LOCK NUT, 1/2"-13
10	282854-01	2	U-BOLT
11	311046-10	12	LINK SPACER, 1" LG.
12	904719-17	4	ROLL PIN, 3/16" X 2" LG.
REF	299190-6591MG	1	P/F,F/O ASSY, AL80X36+24+12DCS,MG,BMR
REF	299190-659MG	1	P/F,F/O ASSY, AL80X42+30+12DCS,MG,BMR
REF	299190-6691MG	1	P/F,F/O ASSY, AL85X36+24+12DCS,MG,BMR
REF	299190-669MG	1	P/F,F/O ASSY, AL85X42+30+12DCS,MG,BMR

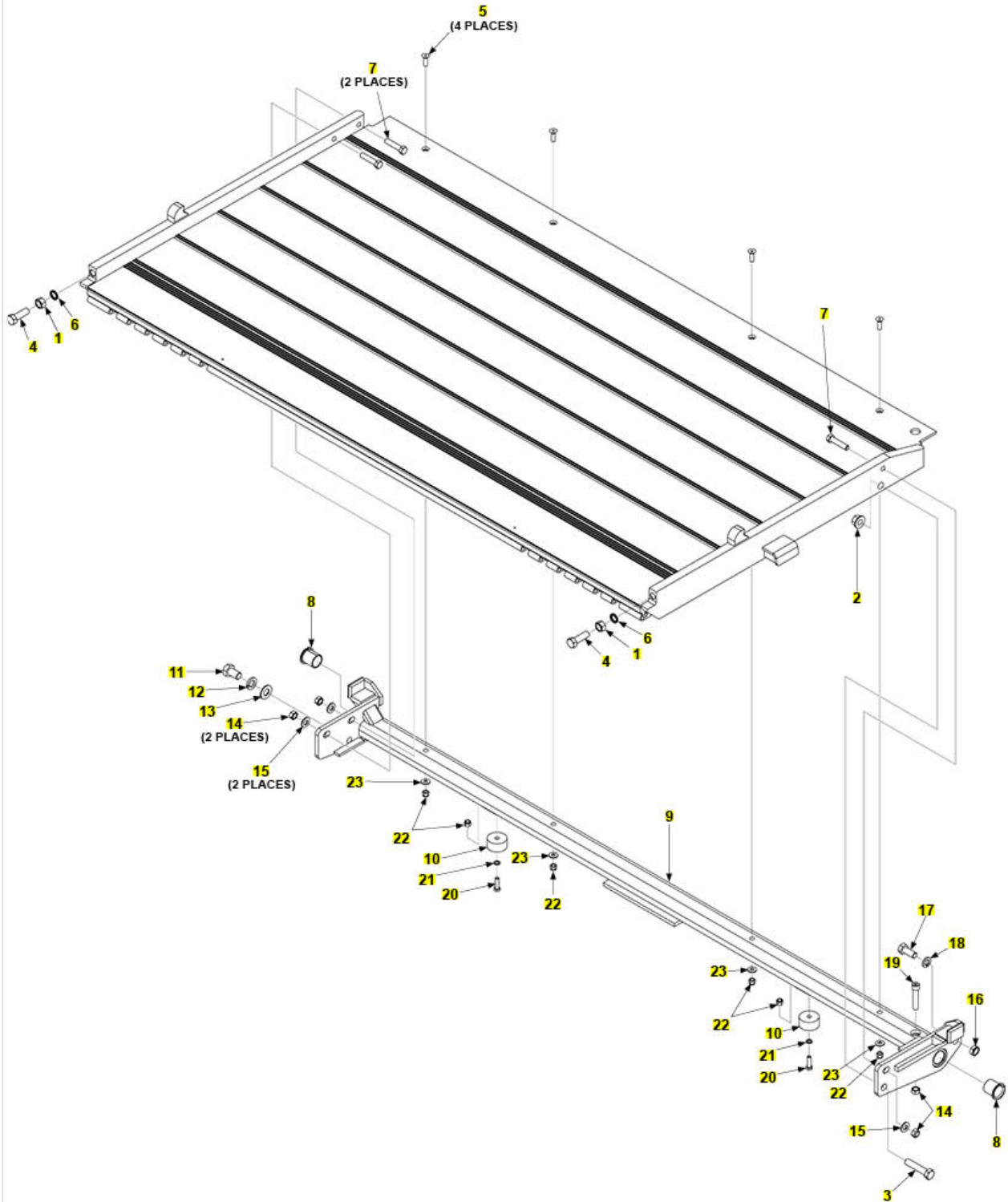
SPARE PARTS LIST
BMR 3300 4400 5500 6600

PLATFORM ASSEMBLY (ALUMINUM)

OCT 2016 to present

COMPLETE ASSEMBLY:

PLATFORM ASSEMBLY (ALUMINUM)



SPARE PARTS LIST
BMR 3300 4400 5500 6600

Pos	CPN	Qty	Description
1	030329	2	NUT, 5/8-11 ZINC
2	901023-04	1	LOCK NUT, FLANGE, 5/8"-11
3	900055-08	1	HEX HEAD SCREW, 5/8"-11 X 3" LG.
4	900055-04	1	HEX HEAD SCREW, 5/8"-11 X 2" LG.
5	900040-5	1	SCREW,FL HD SOC 3/8-16X1-1/4ZC
6	903435-09	1	LOCK WASHER, 5/8"
7	900035-6	1	HEX HEAD CAP SCREW, 1/2"-13 X 2-1/4" LG.
8	908007-05	1	FLANGED BEARING, 1-1/4" SHAFT X 1-1/2" LG.
9	286855-01	1	C-BAR WELDMENT, 96" WIDE VEHICLE
9	286855-02	1	C-BAR WELDMENT, 102" WIDE VEHICLE VEHICLE
10	253516	1	RUBBER BUMPER, 2" X 1"
11	900032-1	1	SCREW, HEX HD 3/4-10X1-1/2 ZC
12	902011-9	1	LOCK WASHER, 3/4" X 3/16" THICK
13	902000-20	1	FLAT WASHER, 3/4" X 3/32" THICK
14	040066	1	LOCK NUT, 1/2"-13
15	902013-13	1	FLAT WASHER, 1/2"
16	030331	1	JAM NUT, 5/8'-11
17	900055-02	1	HEX HEAD SCREW, 5/8"-11 X 1-1/2" LG.
18	902011-8	1	LOCK WASHER, 5/8" X 3/16" THICK
19	900036-11	1	SOCKET HEAD SCREW, 1/2"-13 X 2-1/2" LG.
20	900014-5	1	HEX HEAD SCREW, 3/8"-16 X 1-1/4" LG.
21	902000-10	1	FLAT WASHER, 3/8"
22	901002	1	NUT, NYLON 3/8-16 ZINC
23	902001-2	1	FLAT WASHER, 3/8" X 1/16" THICK
REF	286860-01	1	PLATFORM ASSEMBLY, 96" WIDE VEHICLE, ALUMINUM, 30" DEEP
REF	286860-02	1	PLATFORM ASSEMBLY, 96" WIDE VEHICLE, ALUMINUM, 36" DEEP
REF	286860-03	1	PLATFORM ASSEMBLY, 96" WIDE VEHICLE, ALUMINUM, 42" DEEP

SPARE PARTS LIST
BMR 3300 4400 5500 6600

Pos	CPN	Qty	Description
REF	286860-11	1	PLATFORM ASSEMBLY, 102" WIDE VEHICLE, ALUMINUM, 30" DEEP
REF	286860-12	1	PLATFORM ASSEMBLY, 102" WIDE VEHICLE, ALUMINUM, 36" DEEP
REF	286860-13	1	PLATFORM ASSEMBLY, 102" WIDE VEHICLE, ALUMINUM, 42" DEEP
REF	286860-21	1	PLATFORM ASSEMBLY, 96" WIDE VEHICLE, ALUMINUM, MAXGRIP KNURLED SURFACE, 30" DEEP
REF	286860-22	1	PLATFORM ASSEMBLY, 96" WIDE VEHICLE, ALUMINUM, MAXGRIP KNURLED SURFACE, 36" DEEP
REF	286860-23	1	PLATFORM ASSEMBLY, 96" WIDE VEHICLE, ALUMINUM, MAXGRIP KNURLED SURFACE, 42" DEEP
REF	286860-41	1	PLATFORM ASSEMBLY, 102" WIDE VEHICLE, ALUMINUM, MAXGRIP KNURLED SURFACE, 30" DEEP
REF	286860-42	1	PLATFORM ASSEMBLY, 102" WIDE VEHICLE, ALUMINUM, MAXGRIP KNURLED SURFACE, 36" DEEP
REF	286860-43	1	PLATFORM ASSEMBLY, 102" WIDE VEHICLE, ALUMINUM, MAXGRIP KNURLED SURFACE, 42" DEEP

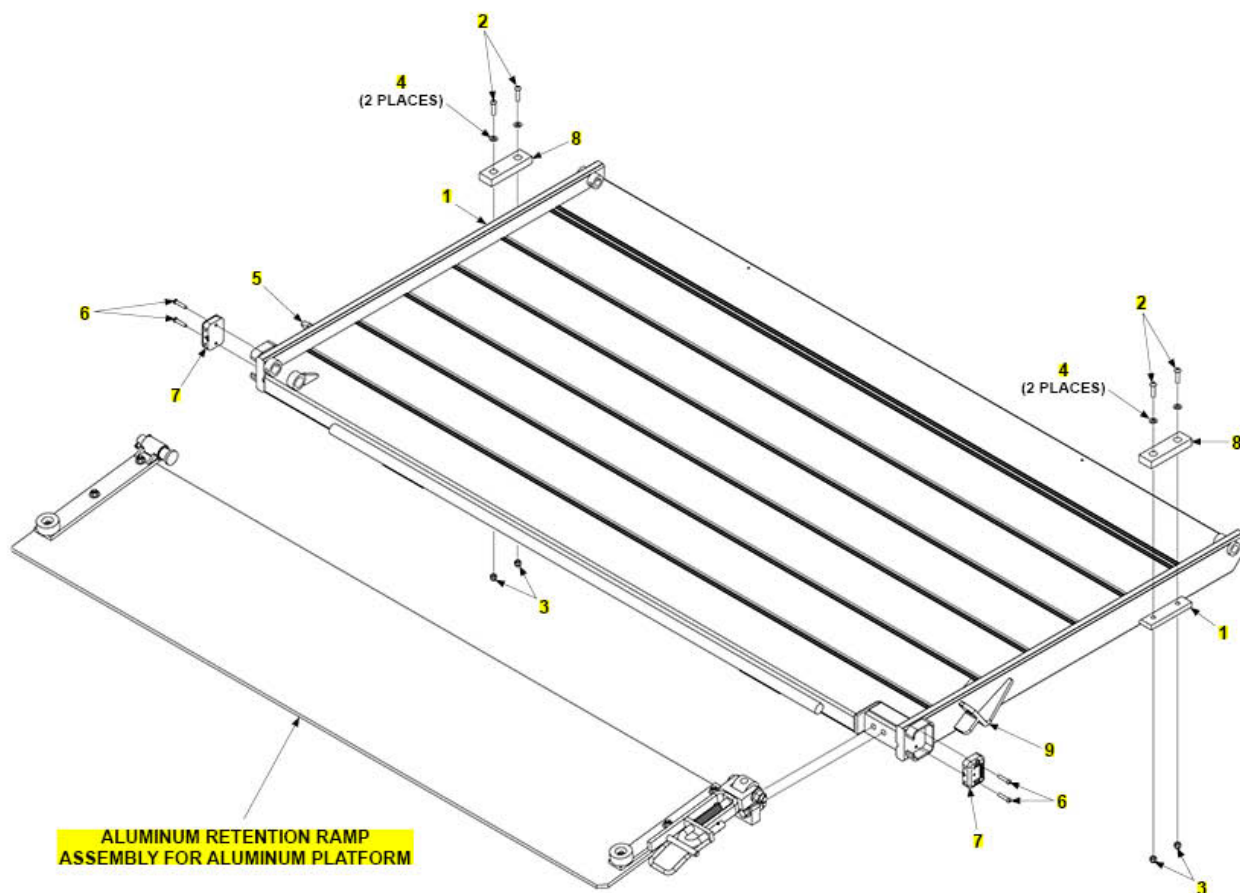
SPARE PARTS LIST
BMR 3300 4400 5500 6600

FLIPOVER ASSEMBLY WITH ALUMINUM RETENTION RAMP (ALUMINUM)

OCT 2018 to present

COMPLETE ASSEMBLY:

FLIPOVER ASSEMBLY WITH ALUMINUM RETENTION RAMP (ALUMINUM)



SPARE PARTS LIST
BMR 3300 4400 5500 6600

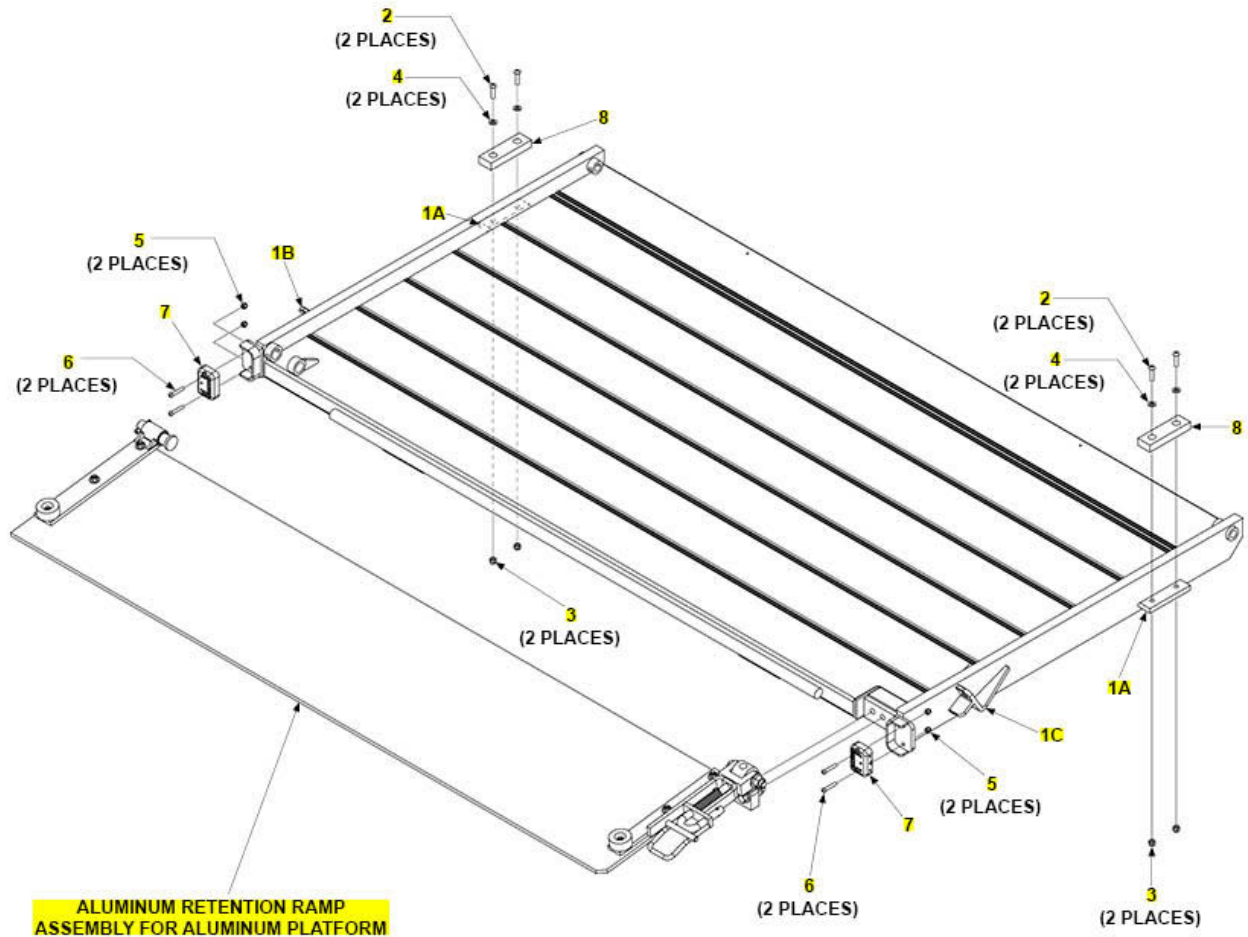
Pos	CPN	Qty	Description
REF	299170-651MG	1	F/O ASSY, AL80X30+16ARR,MG,BMR
REF	299170-652MG	1	F/O ASSY, AL80X36+16ARR,MG,BMR
REF	299170-653MG	1	F/O ASSY, AL80X42+16ARR,MG,BMR
REF	299170-661MG	1	F/O ASSY, AL85X30+16ARR,MG,BMR
REF	299170-662MG	1	F/O ASSY, AL85X36+16ARR,MG,BMR
REF	299170-663MG	1	F/O ASSY, AL85X42+16ARR,MG,BMR
1	287591-01	2	FLAT, AL, BUMPER HOLDER
2	900001-4	4	BUTTON SCREW, 5/16"-18 X 1-1/4" LG.
3	903106-10	4	LOCK NUT, 5/16"-18
4	902013-10	4	FLAT WASHER, 5/16"
5	287587-01	1	BRACKET, U-BOLT HOLDER, LH F/O
6	900719-08	4	SCREW,BUTTON.25-20 X1.25 SS
7	907362-01	2	FLASHING SAFETY LIGHT
8	225278-02	2	RUBBER BUMPER, 3/4" X 1-1/2" X 5" LG.
9	287587-02	1	BRACKET, U-BOLT HOLDER, RH F/O

SPARE PARTS LIST
BMR 3300 4400 5500 6600
(Oct 2016 to Sept 2018)

FLIPOVER ASSEMBLY WITH ALUMINUM RETENTION RAMP (ALUMINUM)

OCT 2016 to SEPT 2018

COMPLETE ASSEMBLY:
**FLIPOVER ASSEMBLY WITH ALUMINUM
RETENTION RAMP (ALUMINUM)**



SPARE PARTS LIST
BMR 3300 4400 5500 6600
 (Oct 2016 to Sept 2018)

Pos	CPN	Qty	Description
2	900001-4	1	BUTTON SCREW, 5/16"-18 X 1-1/4" LG.
3	903106-10	1	LOCK NUT, 5/16"-18
4	902013-10	1	FLAT WASHER, 5/16"
5	903137-01	1	NYLON LOCK NUT, 1/4"-20
6	900719-09	1	BUTTON SCREW, 1/4"-20 X 1-1/2" LG.
7	907150-01	1	FLASHING SAFETY LIGHT
8	225278-02	1	RUBBER BUMPER, 3/4" X 1-1/2" X 5" LG.
1A	287591-01	1	FLAT, AL, BUMPER HOLDER
1B	287587-01	1	BRACKET,U-BOLT HOLDER,LH F/O
1C	287587-02	1	BRACKET,U-BOLT HOLDER,RH F/O
REF	286870-01	1	FLIPOVER ASSEMBLY, 96" WIDE VEHICLE, ALUMINUM, 30" DEEP
REF	286870-02	1	FLIPOVER ASSEMBLY, 96" WIDE VEHICLE, ALUMINUM, 36" DEEP
REF	286870-03	1	FLIPOVER ASSEMBLY, 96" WIDE VEHICLE, ALUMINUM, 42" DEEP
REF	286870-04	1	FLIPOVER ASSEMBLY, 102" WIDE VEHICLE, ALUMINUM, 30" DEEP
REF	286870-05	1	FLIPOVER ASSEMBLY, 102" WIDE VEHICLE, ALUMINUM, 36" DEEP
REF	286870-06	1	FLIPOVER ASSEMBLY, 102" WIDE VEHICLE, ALUMINUM, 42" DEEP
REF	286870-11MG	1	FLIPOVER ASSEMBLY, 96" WIDE VEHICLE, ALUMINUM, MAXGRIP KNURLED SURFACE, 30" DEEP
REF	286870-12MG	1	FLIPOVER ASSEMBLY, 96" WIDE VEHICLE, ALUMINUM, MAXGRIP KNURLED SURFACE, 36" DEEP
REF	286870-13MG	1	FLIPOVER ASSEMBLY, 96" WIDE VEHICLE, ALUMINUM, MAXGRIP KNURLED SURFACE, 42" DEEP
REF	286870-14MG	1	FLIPOVER ASSEMBLY, 102" WIDE VEHICLE, ALUMINUM, MAXGRIP KNURLED SURFACE, 30" DEEP

SPARE PARTS LIST
BMR 3300 4400 5500 6600
(Oct 2016 to Sept 2018)

Pos	CPN	Qty	Description
REF	286870-15MG	1	FLIPOVER ASSEMBLY, 102" WIDE VEHICLE, ALUMINUM, MAXGRIP KNURLED SURFACE, 36" DEEP
REF	286870-16MG	1	FLIPOVER ASSEMBLY, 102" WIDE VEHICLE, ALUMINUM, MAXGRIP KNURLED SURFACE, 42" DEEP

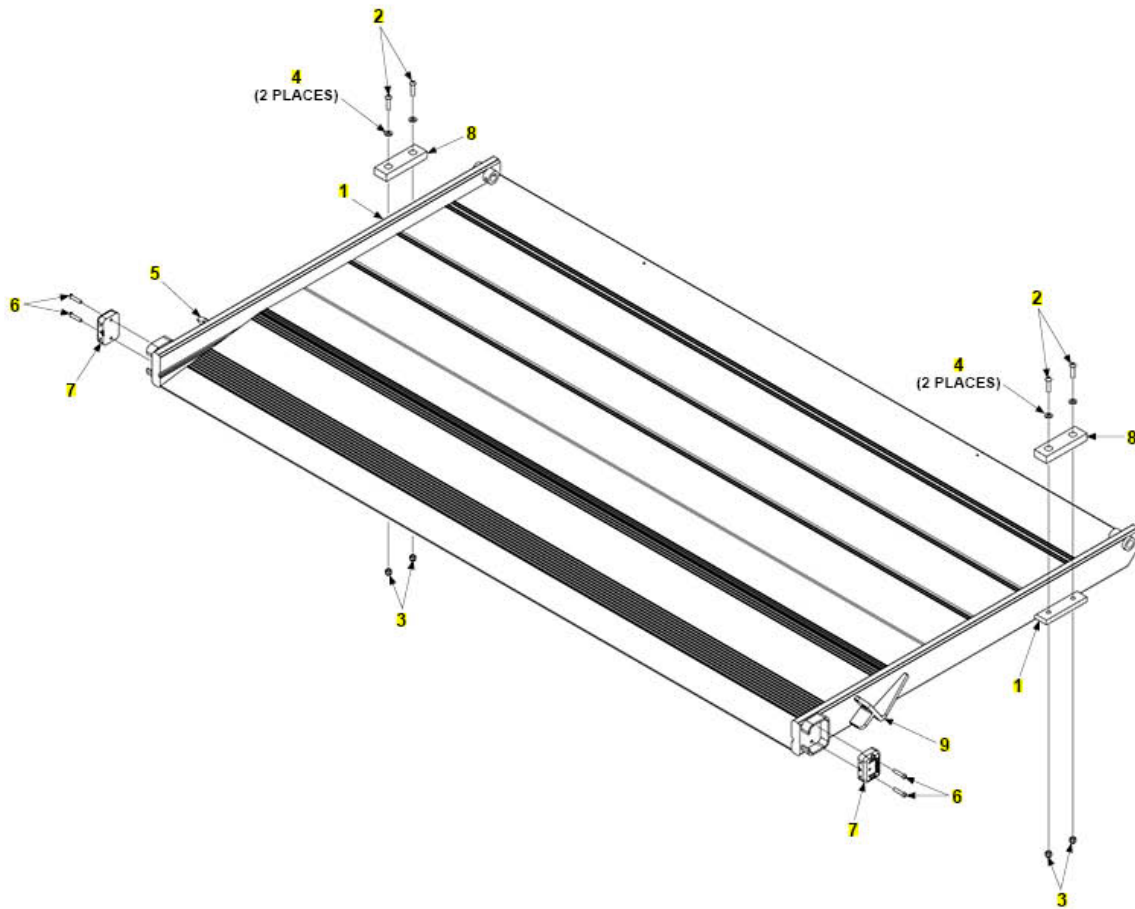
SPARE PARTS LIST
BMR 3300 4400 5500 6600

FLIPOVER ASSEMBLY WITH FIXED RAMP (ALUMINUM)

OCT 2018 to present

COMPLETE ASSEMBLY:

FLIPOVER ASSEMBLY WITH FIXED RAMP (ALUMINUM)



SPARE PARTS LIST
BMR 3300 4400 5500 6600

Pos	CPN	Qty	Description
1	287591-01	2	FLAT, AL, BUMPER HOLDER
2	900001-4	4	BUTTON SCREW, 5/16"-18 X 1-1/4" LG.
3	901001	4	NYLON LOCK NUT, 5/16"-18
4	902013-10	4	FLAT WASHER, 5/16"
5	287587-01	1	BRACKET, U-BOLT HOLDER, LH F/O
6	907362-01	2	FLASHING SAFETY LIGHT
7	900719-08	4	SCREW,BUTTON.25-20 X1.25 SS
8	225278-02	2	BUMPER
9	287587-02	1	BRACKET, U-BOLT HOLDER, RH F/O
REF	299184-656MG	1	F/O ASSY, AL80X24+12FIX,MG,BMR
REF	299184-657MG	1	F/O ASSY, AL80X30+12FIX,MG,BMR
REF	299184-666MG	1	F/O ASSY, AL85X24+12FIX,MG,BMR
REF	299184-667MG	1	F/O ASSY, AL85X30+12FIX,MG,BMR

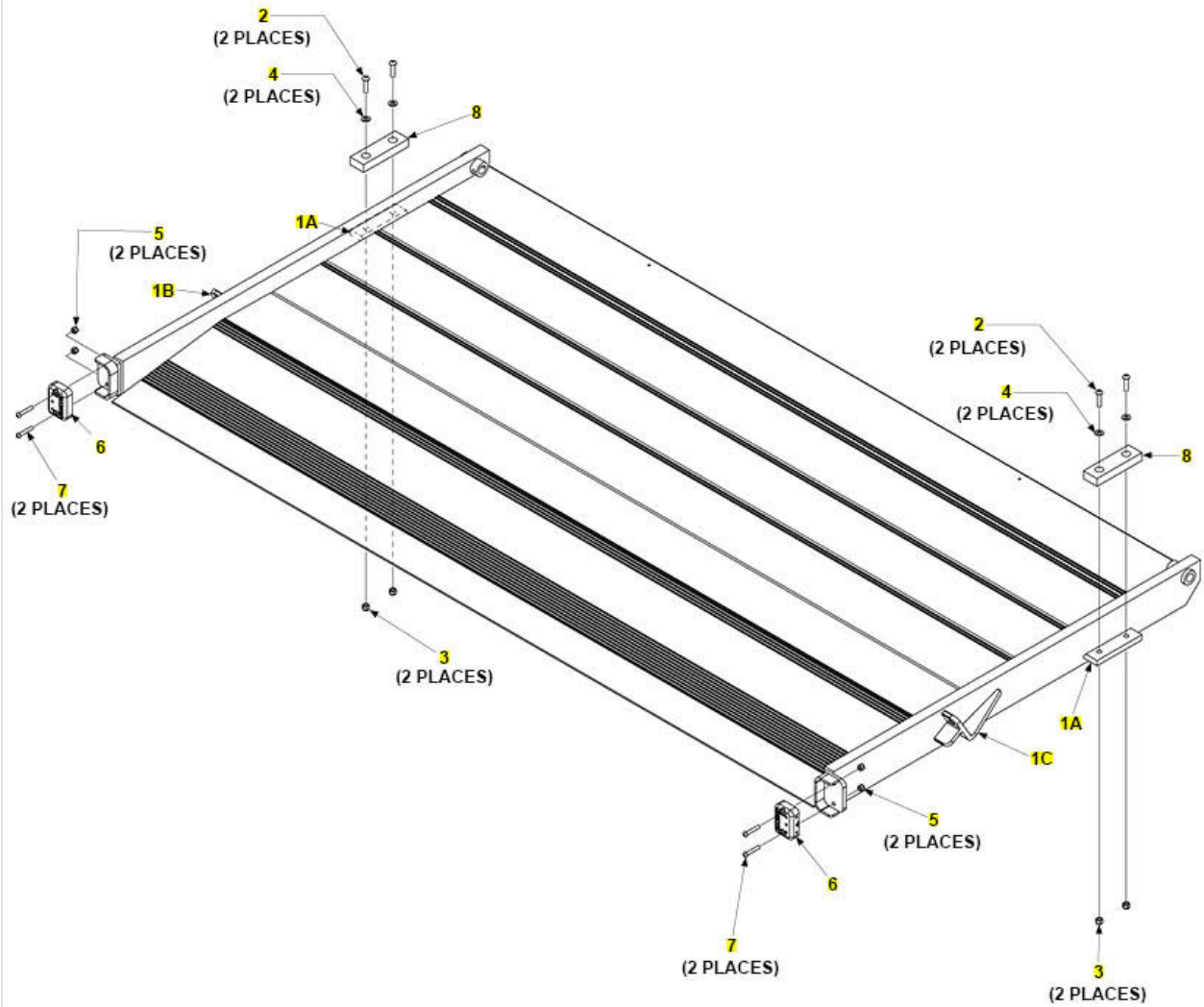
SPARE PARTS LIST
BMR 3300 4400 5500 6600
(Oct 2016 to Sept 2018)

FLIPOVER ASSEMBLY WITH FIXED RAMP (ALUMINUM)

OCT 2016 to SEPT 2018

COMPLETE ASSEMBLY:

**FLIPOVER ASSEMBLY WITH
FIXED RAMP (ALUMINUM)**



SPARE PARTS LIST
BMR 3300 4400 5500 6600
 (Oct 2016 to Sept 2018)

Pos	CPN	Qty	Description
2	900001-4	1	BUTTON SCREW, 5/16"-18 X 1-1/4" LG.
3	901001	1	NYLON LOCK NUT, 5/16"-18
4	902013-10	1	FLAT WASHER, 5/16"
5	901000	1	NYLON LOCK NUT, 1/4"-20
6	907150-01	1	FLASHING SAFETY LIGHT
7	900719-09	1	BUTTON SCREW, 1/4"-20 X 1-1/2"
8	225278-02	1	BUMPER
1A	287591-01	1	FLAT, AL, BUMPER HOLDER
1B	287587-01	1	BRACKET,U-BOLT HOLDER,LH F/O
1C	287587-02	1	BRACKET,U-BOLT HOLDER,RH F/O
REF	288263-01	1	F/O ASSY, BMRB AL 24+12 X 80
REF	288263-02	1	F/O ASSY, BMRB AL 30+12 X 80
REF	288263-03	1	F/O ASSY, BMRB AL 24+12 X 85
REF	288263-04	1	F/O ASSY, BMRB AL 30+12 X 85
REF	288263-11	1	F/O ASSY, BMRB AL 24+12 X 80MG
REF	288263-12	1	F/O ASSY, BMRB AL 30+12 X 80MG
REF	288263-13	1	F/O ASSY, BMRB AL 24+12 X 85MG
REF	288263-14	1	F/O ASSY, BMRB AL 30+12 X 85MG

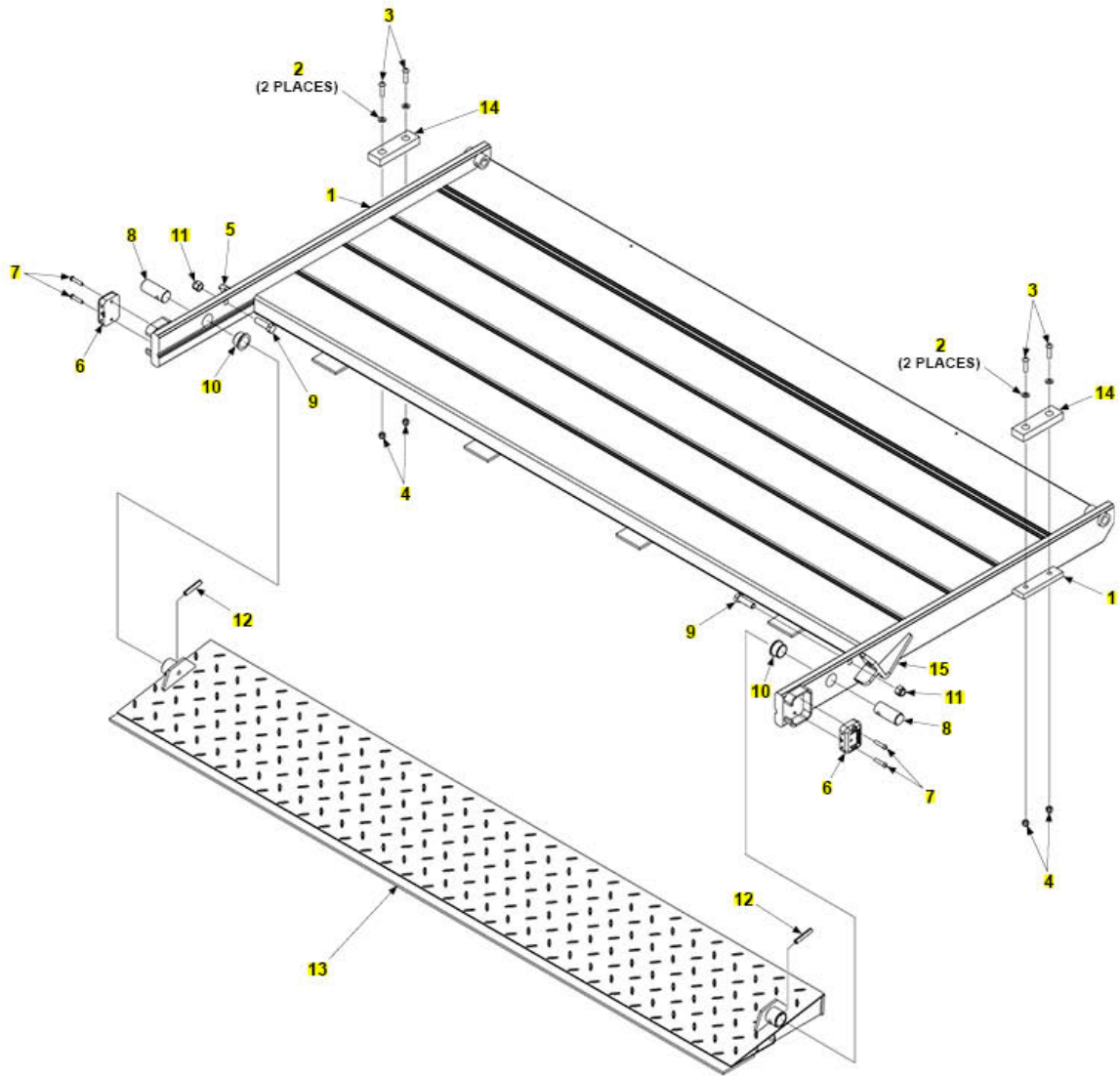
SPARE PARTS LIST
BMR 3300 4400 5500 6600

FLIPOVER ASSEMBLY WITH AUTO CART STOP (ALUMINUM)

OCT 2018 to present

COMPLETE ASSEMBLY:

FLIPOVER ASSEMBLY WITH AUTO CART STOP (ALUMINUM)



SPARE PARTS LIST
BMR 3300 4400 5500 6600

Pos	CPN	Qty	Description
1	287591-01	2	FLAT, AL, BUMPER HOLDER
2	902013-10	4	FLAT WASHER, 5/16"
3	900001-4	4	BUTTON HEAD SCREW, 5/16"-18 X 1-1/4" LG.
4	903106-10	4	NUT, NYL INSRT STOP.313 -18 SS
5	287587-01	1	BRACKET, U-BOLT HOLDER, LH F/O
6	907362-01	2	FLASHING SAFETY LIGHT
7	900719-08	4	SCREW,BUTTON.25-20 X1.25 SS
8	281369-01	2	CART STOP PIN, 1-1/8" DIA. X 2-11/16" LG.
9	900734-07	2	HEX HEAD SCREW,1/2"-13 X 1-3/4" LG.
10	261837-11	2	BUSHING, FLANGE, 1-1/8" I.D. X 3/4" LG.
11	903117-01	2	NYLON LOCK NUT, 1/2"-13
12	904717-06	2	ROLL PIN, 3/8" X 2" LG.
13	297849-01G	1	RAMP WLDMT, C/S 12X77.75, GALV
13	297849-02G	1	RAMP WLDMT, C/S 12X82.75, GALV
14	225278-02	2	BUMPER, 3/4" x 1-1/2" x 5"
15	287587-02	1	BRACKET, U-BOLT HOLDER, RH F/O
REF	299165-657MG	1	F/O ASSY, AL80X30+12ACS,MG,BMR
REF	299165-667MG	1	F/O ASSY, AL85X30+12ACS,MG,BMR

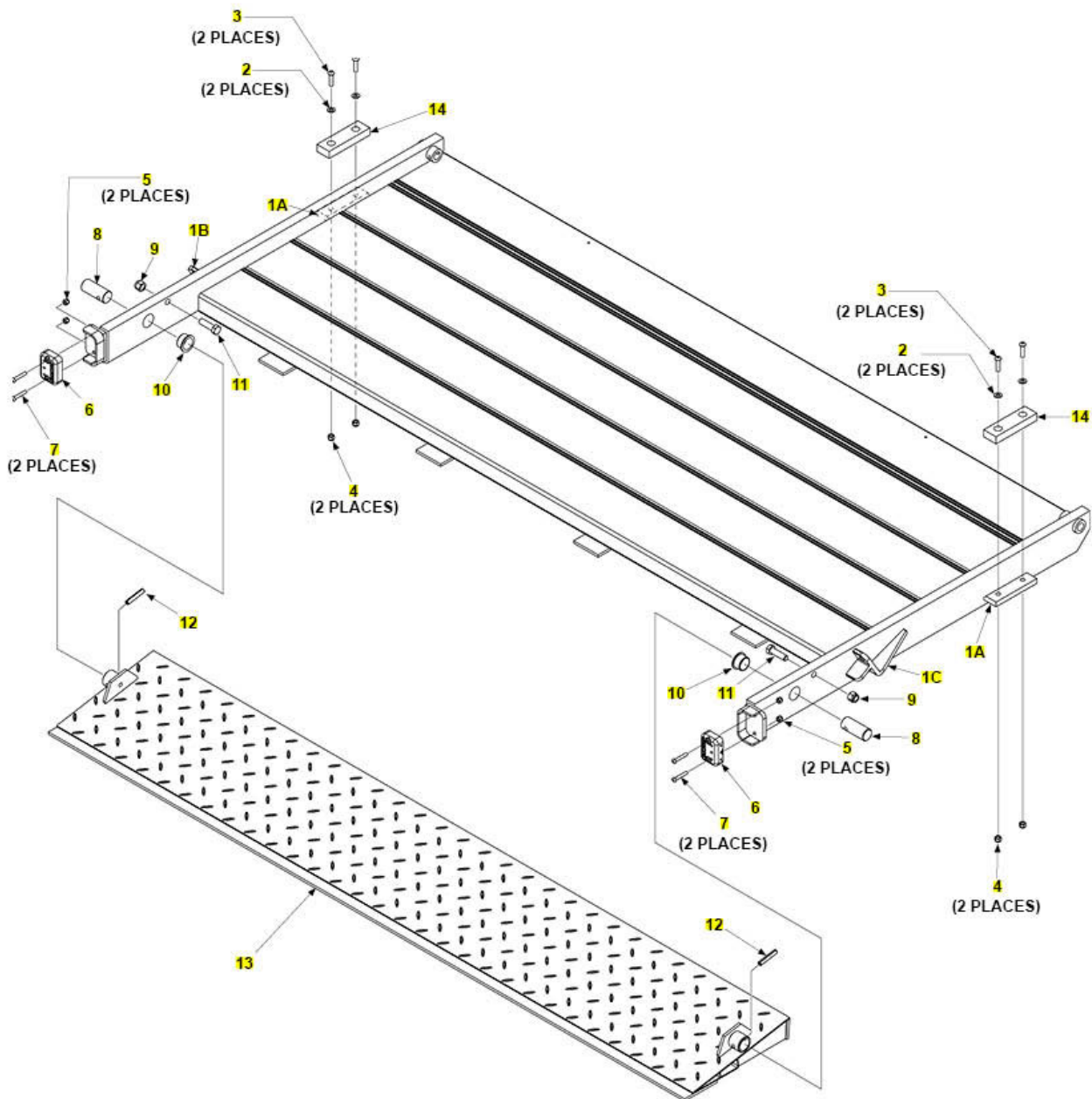
SPARE PARTS LIST
BMR 3300 4400 5500 6600
 (Oct 2016 to Sept 2018)

FLIPOVER ASSEMBLY WITH AUTO CART STOP (ALUMINUM)

OCT 2016 to SEPT 2018

COMPLETE ASSEMBLY:

**FLIPOVER ASSEMBLY WITH
 AUTO CART STOP (ALUMINUM)**



SPARE PARTS LIST
BMR 3300 4400 5500 6600
(Oct 2016 to Sept 2018)

Pos	CPN	Qty	Description
2	902013-10	1	FLAT WASHER, 5/16"
3	900001-4	1	BUTTON HEAD SCREW, 5/16"-18 X 1-1/4" LG.
4	901001	1	NUT,NYLON 5/16-18 ZINC
5	903137-01	1	NYLON LOCK NUT, 1/4"-20
6	907150-01	1	FLASHING SAFETY LIGHT
7	900719-09	1	BUTTON SCREW, 1/4"-20 X 1-1/2"
8	281369-01	1	CART STOP PIN, 1-1/8" DIA. X 2-11/16" LG.
9	900734-07	1	HEX HEAD SCREW,1/2"-13 X 1-3/4" LG.
10	261837-11	1	BUSHING, FLANGE, 1-1/8" I.D. X 3/4" LG.
11	903117-01	1	NYLON LOCK NUT, 1/2"-13
12	904717-06	1	ROLL PIN, 3/8" X 2" LG.
13	288752-13G	1	RAMP WLDMT, C/S 12X77.75,GALV
13	288752-14G	1	RAMP WLDMT, C/S 12X82.75,GALV
14	225278-02	1	BUMPER, 3/4" x 1-1/2" x 5"
1A	287591-01	1	FLAT, AL, BUMPER HOLDER
1B	287587-01	1	BRACKET,U-BOLT HOLDER,LH F/O
1C	287587-02	1	BRACKET,U-BOLT HOLDER,RH F/O
REF	288759-01	1	FLIPOVER ASSEMBLY, 96" WIDE VEHICLE, 30" FLIPOVER
REF	288759-02	1	FLIPOVER ASSEMBLY, 102" WIDE VEHICLE, 30" FLIPOVER
REF	288759-11	1	FLIPOVER ASSEMBLY, 96" WIDE VEHICLE, 30" FLIPOVER, MAXGRIP KNURLED SURFACE
REF	288759-12	1	FLIPOVER ASSEMBLY, 102" WIDE VEHICLE, 30" FLIPOVER, MAXGRIP KNURLED SURFACE

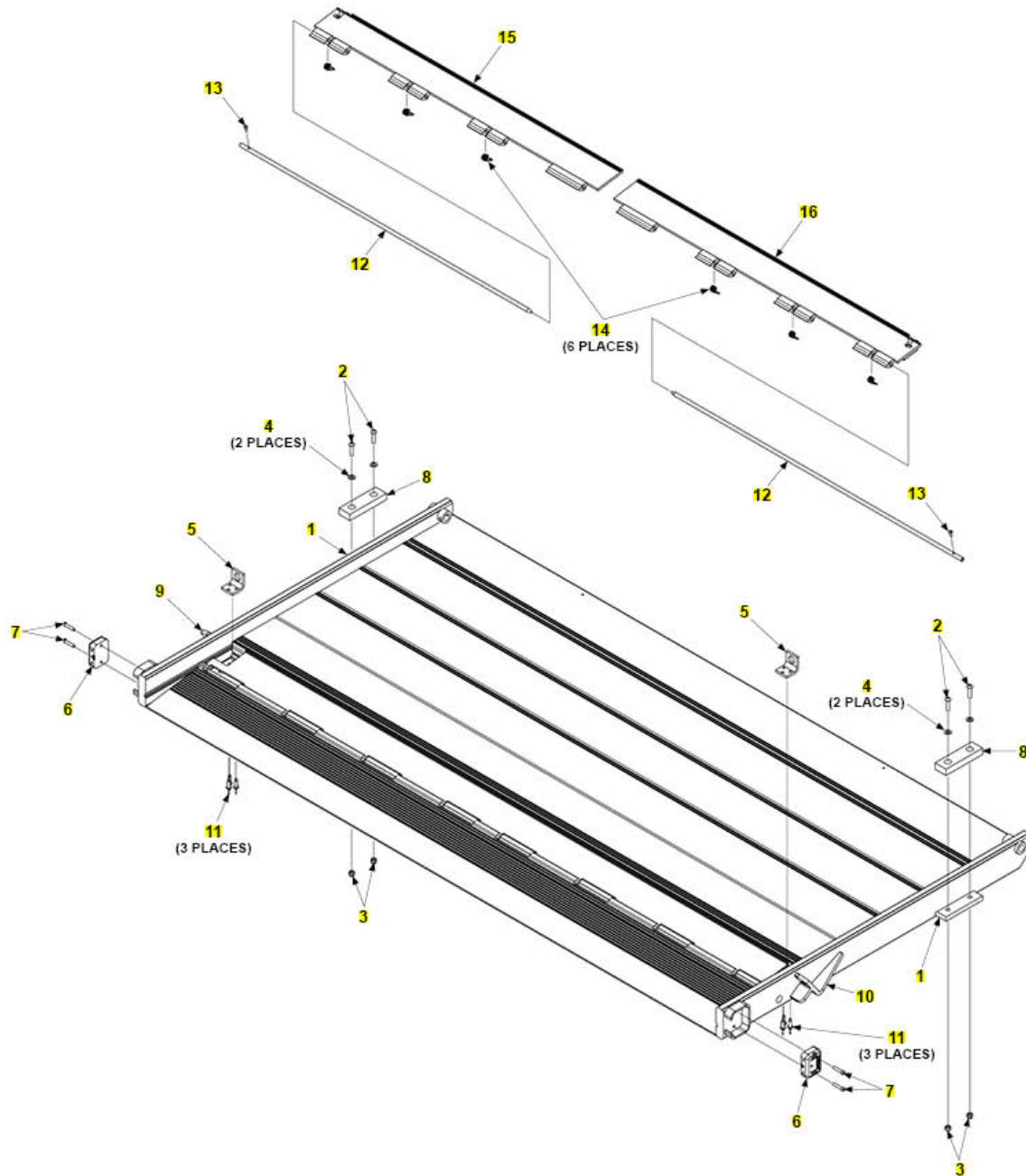
SPARE PARTS LIST
BMR 3300 4400 5500 6600

FLIPOVER ASSEMBLY WITH DUAL CART STOPS (ALUMINUM)

OCT 2018 to present

COMPLETE ASSEMBLY:

FLIPOVER ASSEMBLY WITH DUAL CART STOPS (ALUMINUM)



SPARE PARTS LIST
BMR 3300 4400 5500 6600

Pos	CPN	Qty	Description
REF	299194-6591MG	1	F/O ASSY, AL80X24+12DCS,MG,BMR
REF	299194-659MG	1	F/O ASSY, AL80X30+12DCS,MG,BMR
REF	299194-6691MG	1	F/O ASSY, AL85X24+12DCS,MG,BMR
REF	299194-669MG	1	F/O ASSY, AL85X30+12DCS,MG,BMR
1	287591-01	2	FLAT, AL, BUMPER HOLDER
2	900001-4	4	BUTTON SCREW, 5/16"-18 X 1-1/4" LG.
3	901001	4	NYLON LOCK NUT, 5/16"-18
4	902013-10	4	FLAT WASHER, 5/16"
5	297111-01	2	CATCH BRACKET, BMR
6	907362-01	2	FLASHING SAFETY LIGHT
7	900719-08	4	SCREW,BUTTON.25-20 X1.25 SS
8	225278-02	2	BUMPER
9	287587-01	1	BRACKET, U-BOLT HOLDER, LH F/O
10	287587-02	1	BRACKET, U-BOLT HOLDER, RH F/O
11	903719-04	6	RIVET,BL/DM,SS .25X.37-.5
12	287443-14	2	PIN, CART STOP, 39.88"LG
12	287443-15	2	PIN, CART STOP, 42.38"LG
13	900722-03	2	SCREW,BTN 10-24 X.5,SS
14	282729-01	6	SPRING, C/S .08 WIRE, 302 SS
15	297068-04	1	CART STOP ASSY, DCS, 38.78" LG,LH
15	297068-06	1	CART STOP ASSY, DCS, 41.29" LG,LH
16	297068-03	1	CART STOP ASSY, DCS, 38.78" LG,RH
16	297068-05	1	CART STOP ASSY, DCS, 41.29" LG,RH

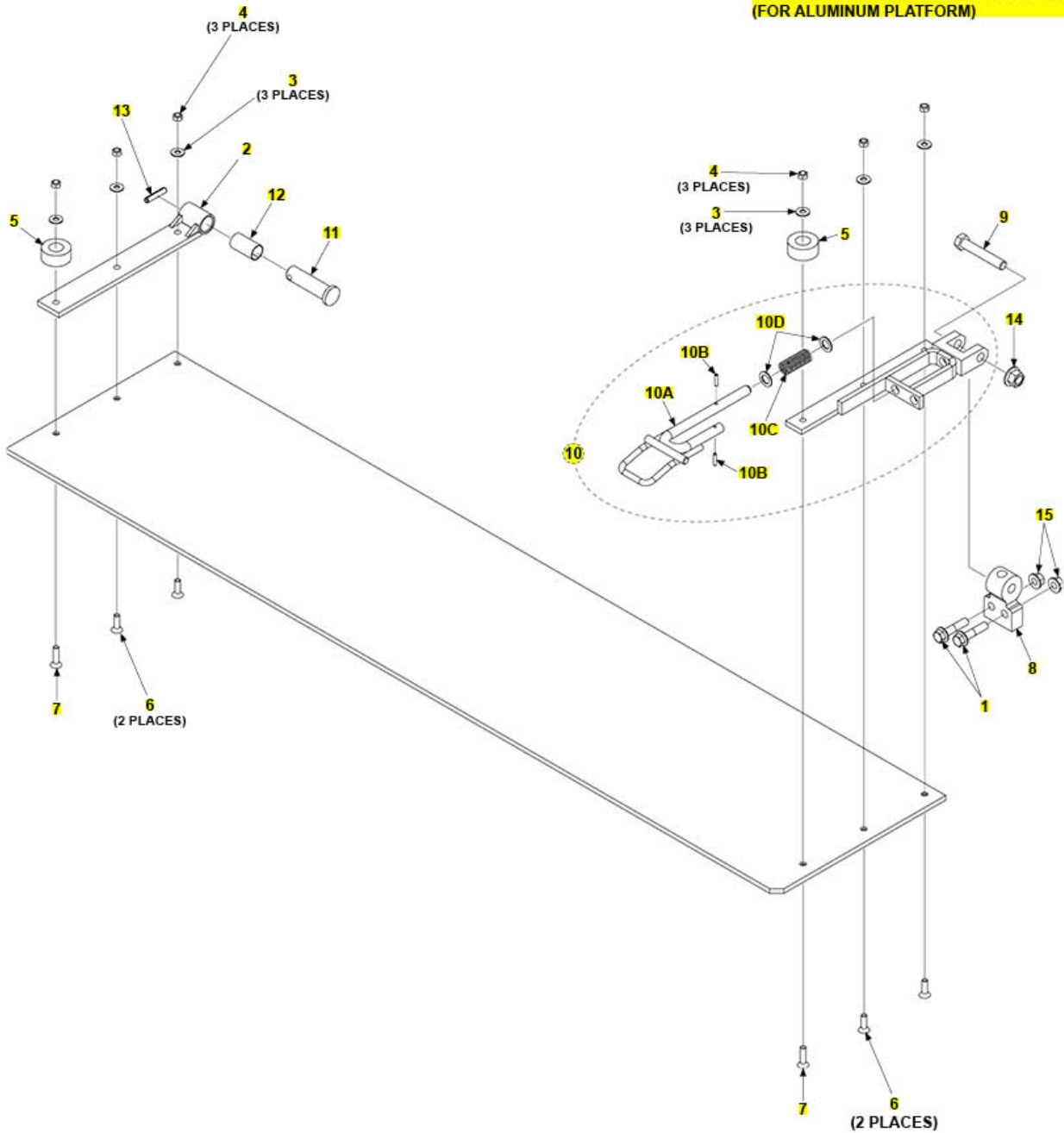
SPARE PARTS LIST
BMR 3300 4400 5500 6600

ALUMINUM RETENTION RAMP ASSEMBLY (FOR ALUMINUM PLATFORM)

OCT 2016 to present

COMPLETE ASSEMBLY:

**ALUMINUM RETENTION RAMP ASSEMBLY
(FOR ALUMINUM PLATFORM)**



SPARE PARTS LIST
BMR 3300 4400 5500 6600

Pos	CPN	Qty	Description
1	901024-3	2	BOLT HEX FRAME .5-13 X 2.25"LG
2	253526-01	1	HINGE ARM WELDMENT, LH (GALVANIZED)
3	902001-2	1	FLAT WASHER, 3/8"
4	030955	1	NYLON LOCK NUT, 3/8"-16
5	905363-01	1	RUBBER BUMPER
6	900040-5	1	SCREW, FLAT SOCKET HEAD, 3/8"-16" X 1-1/4" LG.
7	900040-6	1	SCREW, FLAT SOCKET HEAD, 3/8"-16 X 1-1/2" LG.
8	287530-02	1	HINGE CASTING, BLACK
9	900055-11	1	HEX HEAD SCREW, 5/8"-11 X 3-3/4" LG.
10	287528-01	1	ARM ASSEMBLY, RH
10A	287575-01	1	PIN LOCKING WELDMENT
10B	904719-09	1	PIN, ROLL, Ø.188 X 1LG, SS
10C	908209-01	1	COMPRESSION SPRING
10D	903434-13	1	WASHER, FLAT, M16, SS
11	253528	1	PIN
12	253541	1	BEARING, SELF LUBE, 1" DIA. X 2" LG.
13	904717-05	1	ROLL PIN, 3/8" X 1-3/4" LG.
14	901023-04	1	LOCK NUT, FLANGE, 5/8"-11
15	901023	1	LOCK NUT, FLANGE, 1/2"-13
REF	286834-80	1	F/O WLDMT AL, 80X30
REF	286834-85	1	F/O WLDMT AL, 85X30

SPARE PARTS LIST
BMR 3300 4400 5500 6600

LEFT HAND CHAIN ASSEMBLY

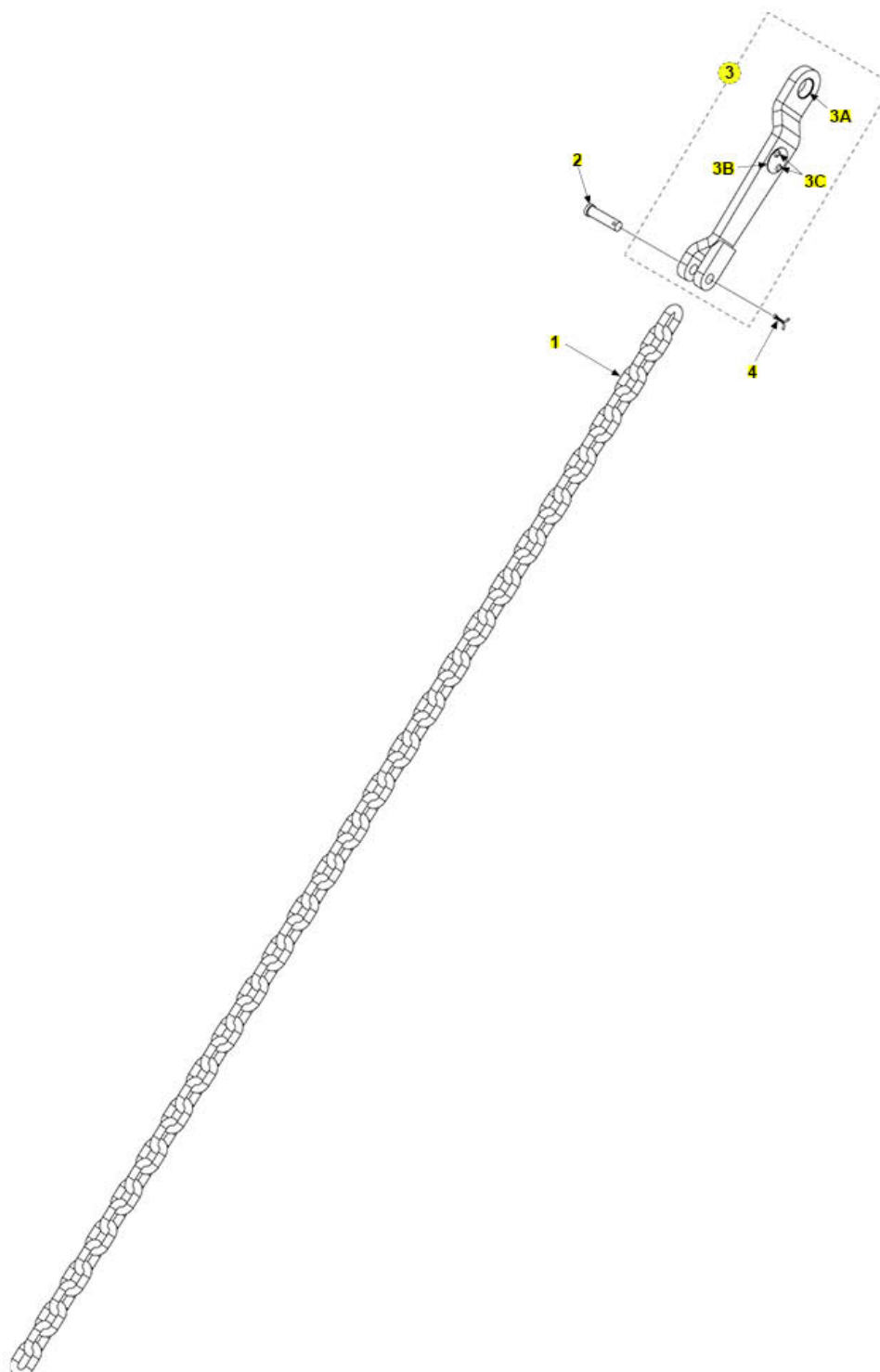
OCT 2018 to present

CAUTION

MAXON recommends replacing Left Hand & Right Hand platform support chains as a set. Possible harm to users or bystanders and/or equipment damage could result if chains are only replaced one at a time.

COMPLETE ASSEMBLY:

LEFT HAND CHAIN ASSEMBLY



SPARE PARTS LIST
BMR 3300 4400 5500 6600

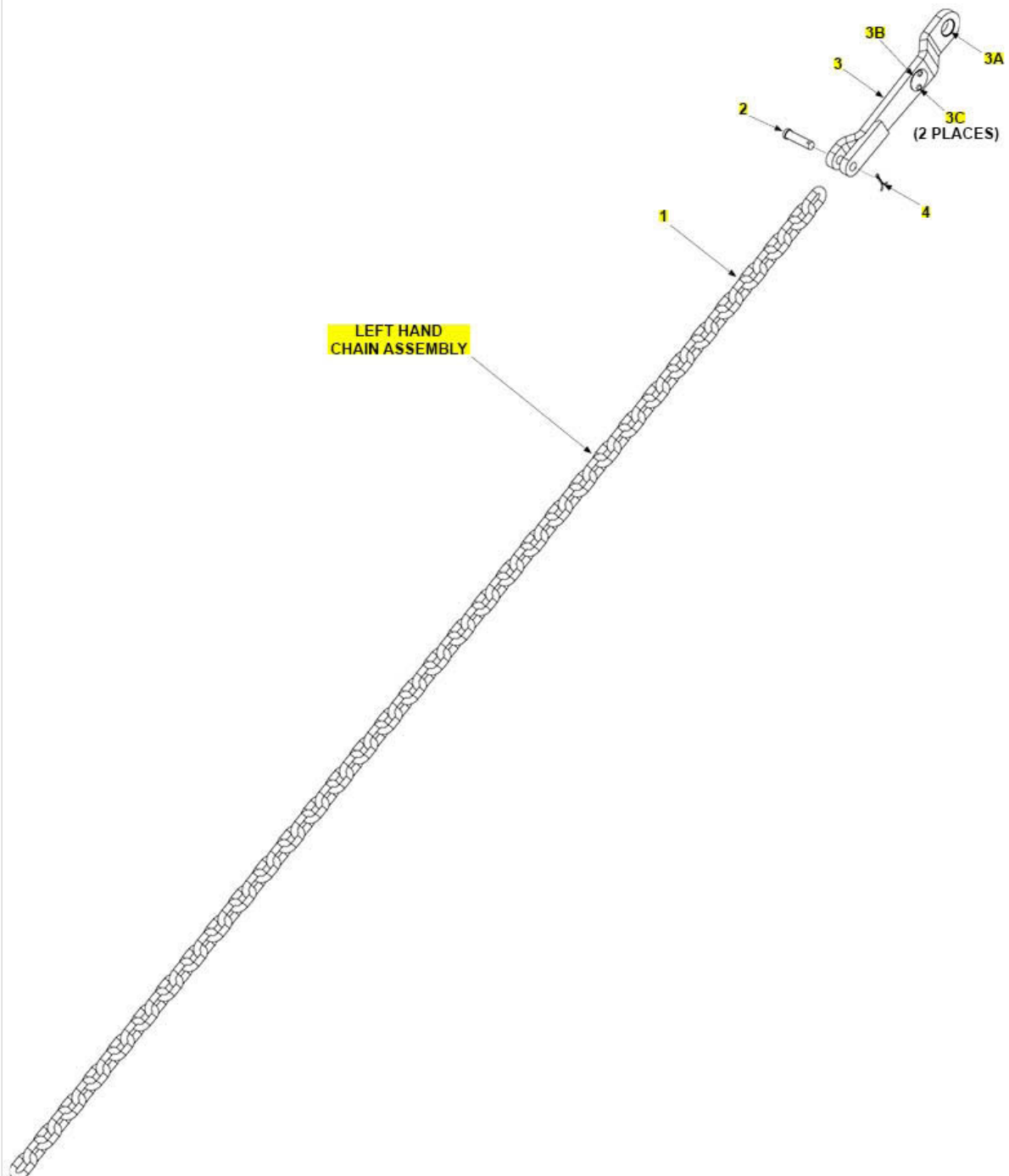
Pos	CPN	Qty	Description
1	282866-17	1	CHAIN, GALV, .38 X 62.10 LG
1	282866-03	1	CHAIN .38X63.25 LG
1	282866-16	1	CHAIN, GALV, .38 X 71.52 LG
1	282866-01	1	CHAIN .38X72.7 LG
1	282866-05	1	CHAIN .38X78.5 LG
1	282866-04	1	CHAIN .38X76.25 LG
2	905136-01	1	CLEVIS PIN, 1/2" X 1-7/8" LG.
3	280505-01	1	TEAR DROP ASSEMBLY, LH
3A	260078	1	BEARING, SELF-LUBE
3B	260009	1	KEEP HANDS CLEAR (PLATE) (SEE DECAL SEC)
3C	207644-03	2	POP RIVET, 3/16" X .40" LG.
4	030805	1	COTTER PIN, 1/8" X 1" LG.
REF	282867-17	1	CHAIN ASSY LH BMRA, 60" P/F
REF	282867-05	1	CHAIN ASSY LH BMRA, 60" P/F
REF	282867-15	1	CHAIN ASSY LH BMRA, 72" P/F
REF	282867-01	1	CHAIN ASSY LH BMRA, 72" P/F
REF	282867-09	1	CHAIN ASSY LH BMRA, 78" P/F
REF	282867-07	1	CHAIN ASSY LH BMRA, 84" P/F

SPARE PARTS LIST
BMR 3300 4400 5500 6600
(Oct 2016 to Sept 2018)

LEFT HAND CHAIN ASSEMBLY

OCT 2016 to SEPT 2018

CAUTION
MAXON recommends replacing Left Hand & Right Hand platform support chains as a set. Possible harm to users or bystanders and/or equipment damage could result if chains are only replaced one at a time.



LEFT HAND CHAIN ASSEMBLY

SPARE PARTS LIST
BMR 3300 4400 5500 6600
 (Oct 2016 to Sept 2018)

Pos	CPN	Qty	Description
1	282866-03	1	CHAIN, GALV, .38 X 63.25 LG
1	282866-01	1	CHAIN, GALV, .38 X 72.7LG
1	282866-05	1	CHAIN, GALV, .38 X 78.5LG
2	905136-01	1	CLEVIS PIN, 1/2" X 1-7/8" LG.
3	280505-01	1	TEAR DROP ASSEMBLY, LH
3A	260078	1	BEARING, SELF-LUBE
3B	260009	1	KEEP HANDS CLEAR (PLATE) (SEE DECAL SEC)
3C	207644-03	1	POP RIVET, 3/16" X .40" LG.
4	030805	1	COTTER PIN, 1/8" X 1" LG.
REF	282867-05	1	CHAIN ASSEMBLY LH, 30"+ 30" OR 36" + 24" PLATFORM*
REF	282867-01	1	CHAIN ASSEMBLY LH, 36"+ 36" PLATFORM*
REF	282867-09	1	CHAIN ASSEMBLY LH, 42"+ 42" PLATFORM*

SPARE PARTS LIST
BMR 3300 4400 5500 6600

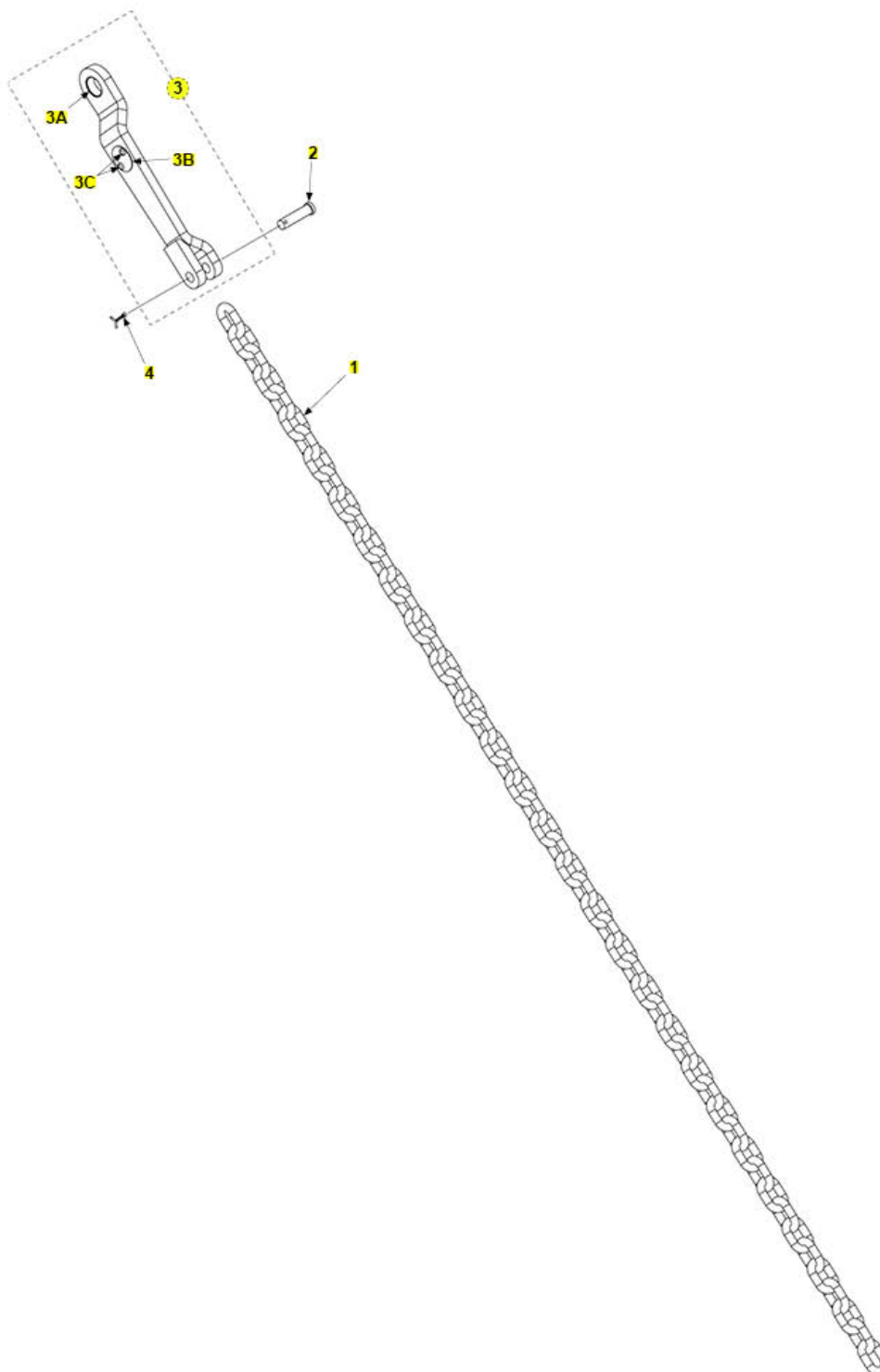
RIGHT HAND CHAIN ASSEMBLY

OCT 2018 to present

CAUTION

MAXON recommends replacing Left Hand & Right Hand platform support chains as a set. Possible harm to users or bystanders and/or equipment damage could result if chains are only replaced one at a time.

COMPLETE ASSEMBLY:
RIGHT HAND CHAIN ASSEMBLY



SPARE PARTS LIST
BMR 3300 4400 5500 6600

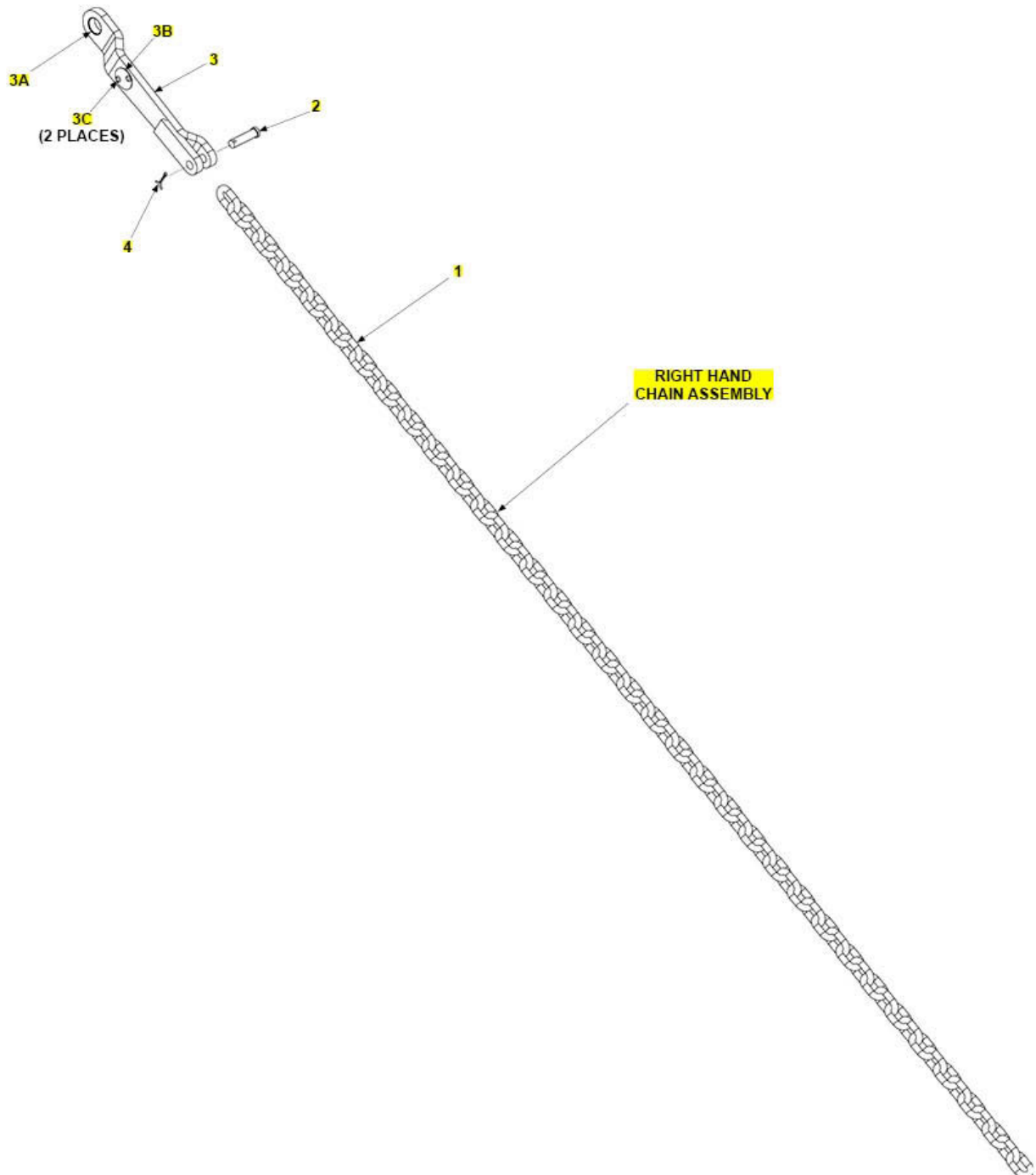
Pos	CPN	Qty	Description
1	282866-17	1	CHAIN, GALV, .38 X 62.10 LG
1	282866-03	1	CHAIN .38X63.25 LG
1	282866-16	1	CHAIN, GALV, .38 X 71.52 LG
1	282866-01	1	CHAIN .38X72.7 LG
1	282866-05	1	CHAIN .38X78.5 LG
1	282866-04	1	CHAIN .38X76.25 LG
2	905136-01	1	CLEVIS PIN, 1/2" X 1-7/8" LG.
3	280505-02	1	TEAR DROP ASSEMBLY, RH
3A	260078	1	BEARING, SELF-LUBE
3B	260009	1	KEEP HANDS CLEAR (PLATE) (SEE DECAL SEC)
3C	207644-03	2	POP RIVET, 3/16" X .40" LG.
4	030805	1	COTTER PIN, 1/8" X 1" LG.
REF	282867-18	1	CHAIN ASSY RH BMRA, 60" P/F
REF	282867-06	1	CHAIN ASSY RH BMRA, 60" P/F
REF	282867-16	1	CHAIN ASSY RH BMRA, 72" P/F
REF	282867-02	1	CHAIN ASSY RH BMRA, 72" P/F
REF	282867-10	1	CHAIN ASSY RH BMRA, 78" P/F
REF	282867-08	1	CHAIN ASSY RH BMRA, 84" P/F

SPARE PARTS LIST
BMR 3300 4400 5500 6600
(Oct 2016 to Sept 2018)

RIGHT HAND CHAIN ASSEMBLY

OCT 2016 to SEPT 2018

⚠ CAUTION
MAXON recommends replacing Left Hand & Right Hand platform support chains as a set. Possible harm to users or bystanders and/or equipment damage could result if chains are only replaced one at a time.



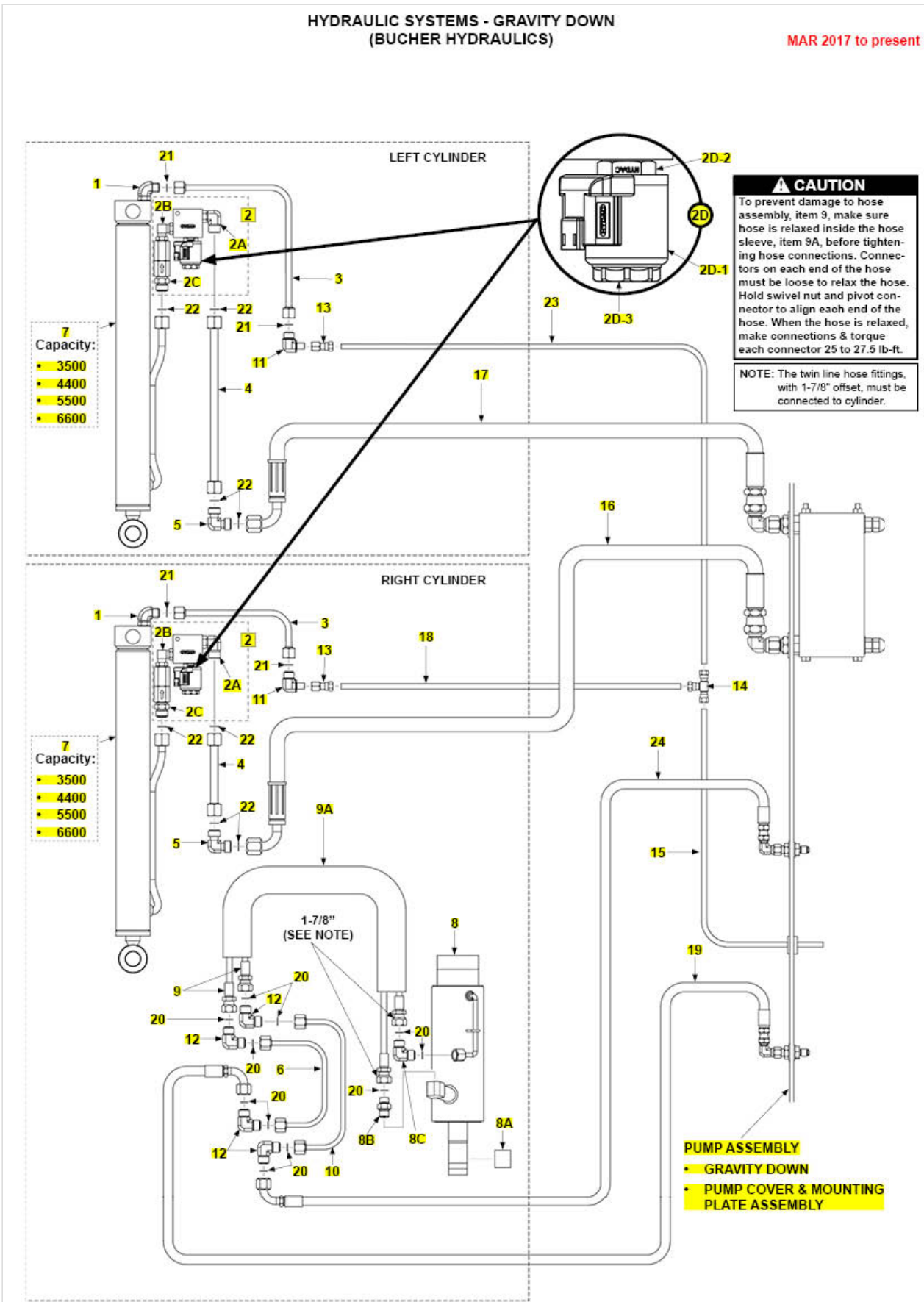
SPARE PARTS LIST
BMR 3300 4400 5500 6600
 (Oct 2016 to Sept 2018)

Pos	CPN	Qty	Description
1	282866-03	1	CHAIN, GALV, .38 X 63.25 LG
1	282866-01	1	CHAIN, GALV, .38 X 72.7LG
1	282866-05	1	CHAIN, GALV, .38 X 78.5LG
2	905136-01	1	CLEVIS PIN, 1/2" X 1-7/8" LG.
3	280505-02	1	TEAR DROP ASSEMBLY, RH
3A	260078	1	BEARING, SELF-LUBE
3B	260009	1	KEEP HANDS CLEAR (PLATE) (SEE DECAL SEC)
3C	207644-03	1	POP RIVET, 3/16" X .40" LG.
4	030805	1	COTTER PIN, 1/8" X 1" LG.
REF	282867-06	1	CHAIN ASSEMBLY RH, 30"+ 30" OR 36" + 24" PLATFORM*
REF	282867-02	1	CHAIN ASSEMBLY RH, 36"+ 36" PLATFORM*
REF	282867-10	1	CHAIN ASSEMBLY RH, 42"+ 42" PLATFORM*

SPARE PARTS LIST
BMR 3300 4400 5500 6600
 Hydraulic Systems - Gravity Down

HYDRAULIC SYSTEMS - GRAVITY DOWN
(BUCHER HYDRAULICS)

MAR 2017 to present



SPARE PARTS LIST
BMR 3300 4400 5500 6600
Hydraulic Systems - Gravity Down

Pos	CPN	Qty	Description
2	288520-12	1	HYDRAULIC LOCK VALVE, 12 VDC
2A	905158	1	ELBOW STRAIGHT, FACE SEAL #8, O-RING, #6 M-M
2B	906722-01	1	ELBOW 90°, O-RING, #6 M-M
2C	288518-01	1	VALVE ASSEMBLY, PRESSURE COMPENSATED, 3 GPM
2D	282999-01	1	HYDRAULIC LOCK VALVE ASSEMBLY
2D-1	906841-01	1	COIL, 12 VDC
2D-2	906840-01	1	VALVE CARTRIDGE (2 WAY, 2 POLE)
2D-3	906840-02	1	NUT, CARTRIDGE VALVE
3	286283-01	1	FACE SEAL TUBE ASSEMBLY, RETURN LINE
4	286282-01	1	FACE SEAL TUBE ASSEMBLY, LIFT LINE
5	906830-01	1	ELBOW 90°, FACE SEAL, #8 M-M
6	286296-01	1	TUBE ASSEMBLY, FACE SEAL, 1/4"
7.1	286335-01	1	CYL D/ACT, 1.75BX53.13XTRX1R
7.2	286335-02	1	CYL D/ACT, 2BX53.13STRX1R
8	286281-01	1	CYLINDER ASSEMBLY, 2-3/4" BORE, 5-1/4" STROKE
8A	253657	1	BEARING, SELF LUBE DIA. 1" I.D. X 1" LG.
8B	905179	1	CONNECTOR, FACE SEAL #4, O-RING, #6 M-M
8C	906792-01	1	UNION, ELBOW, F/S #4M-#4M 90°
9	296853-01	1	TWIN HOSE & CABLE ASSY, BMR
9A	096002-10	1	DISCHARGE HOSE, 1"BLUE PVC,38.5"L
10	286298-01	1	TUBE ASSEMBLY, FACE SEAL, 1/4"
11	905157	1	ELBOW, 3/8" FACE SEAL, 1/4' NPTF, M-M
12	906792-01	1	UNION, ELBOW, FACE SEAL #4M-#4M 90 DEG
13	905156	1	AIR BRAKE CONNECTOR
14	905155	1	TEE, UNION AIR BRAKE, 3/8"
15	099996-02	1	TUBING,.375 THERMOPLASTIC 7.0'
15	099996-03	1	TUBING.375 THERMOPLASTIC 16.0'

SPARE PARTS LIST
BMR 3300 4400 5500 6600
 Hydraulic Systems - Gravity Down

Pos	CPN	Qty	Description
15	099996-10	1	TUBING, .375 THERMOPLASTIC 22.0'
15	099996-08	1	TUBING.375 THERMOPLASTIC 27.0'
15	099996-09	1	TUBING,.375 THERMOPLASTIC 35.0'
16	280223-01	1	H/A HP.38F/S#8 90 F-JIC#8F72"
16	280223-03	1	H/A HP.38F/S#8 90 F-JIC#8F196"
16	280223-13	1	H/A HP.38F/S#8 90F-JIC#8F 256"
16	280223-05	1	H/A HP.38F/S#8 90 F-JIC#8F316"
16	280223-09	1	H/A HP.38F/S#8 90F-JIC#8F 412"
17	280223-02	1	H/A HP.38F/S#8 90 F-JIC#8F150"
17	280223-04	1	H/A HP.38F/S#8 90 F-JIC#8F274"
17	280223-14	1	H/A HP.38F/S#8 90F-JIC#8F 334"
17	280223-06	1	H/A HP.38F/S#8 90 F-JIC#8F394"
17	280223-10	1	H/A HP.38F/S#8 90F-JIC#8F 490"
18	099996-06	1	TUBING, THERMOPLASTIC, 3/8", 2 FT.
19	280232-01	1	H/A HP1/4F/S#4 90F-JIC#4F 64"
19	280232-02	1	H/A HP1/4F/S#4 90F-JIC#4F 188"
19	280232-09	1	H/A HP.25F/S#4 90F-JIC#4F 248"
19	280232-03	1	H/A HP1/4F/S#4 90F-JIC#4F 308"
19	280232-05	1	H/A HP.25F/S#4 90F-JIC#4F 404"
20	906712-01	1	O-RING, #4 (1/4" FACE SEAL TUBE-END)
21	906712-02	1	O-RING, #6 (3/8" FACE SEAL TUBE-END)
22	906712-03	1	O-RING, #8 (1/2" FACE SEAL TUBE-END)
REF	296190-12	1	BMR PMP BOX ASSY, G/D 12V
23	099996-05	1	TUBING, THERMOPLASTIC, 3/8", 9 FT.
24	280232-01-100	1	H/A HP1/4F/S#4 90F-JIC#4F 64" W/YEL TAPE
24	280232-02-100	1	H/A HP1/4F/S#4 90F-JIC#4F 188" W/YEL TAPE
24	280232-09-100	1	H/A HP.25F/S#4 90F-JIC#4F 248" W/YEL TAPE
24	280232-03-100	1	H/A HP1/4F/S#4 90F-JIC#4F 308" W/YEL TAPE

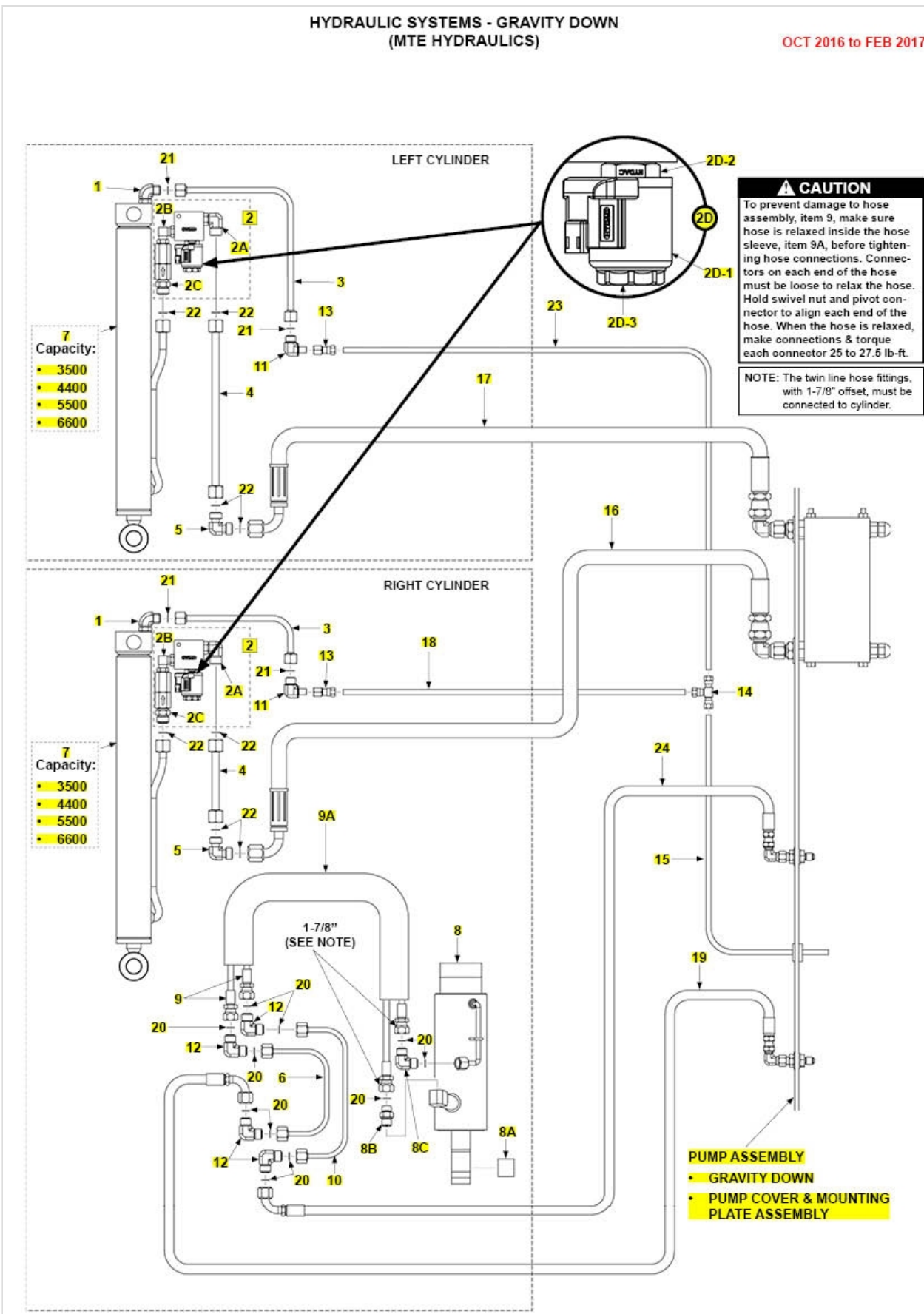
SPARE PARTS LIST
BMR 3300 4400 5500 6600
Hydraulic Systems - Gravity Down

Pos	CPN	Qty	Description
24	280232-05-100	1	H/A HP.25F/S#4 90F-JIC#4F 404" W/YEL TAPE
1	906707-01	1	ELBOW, FACE SEAL, #6 M-M

SPARE PARTS LIST

BMR 3300 4400 5500 6600

Hydraulic Systems - Gravity Down (Oct 2016 - Feb 2017)



SPARE PARTS LIST**BMR 3300 4400 5500 6600**

Hydraulic Systems - Gravity Down (Oct 2016 - Feb 2017)

Pos	CPN	Qty	Description
2	288520-12	1	HYDRAULIC LOCK VALVE, 12 VDC
2A	905158	1	ELBOW STRAIGHT, FACE SEAL #8, O-RING, #6 M-M
2B	906722-01	1	ELBOW 90°, O-RING, #6 M-M
2C	288518-01	1	VALVE ASSEMBLY, PRESSURE COMPENSATED, 3 GPM
2D	282999-01	1	HYDRAULIC LOCK VALVE ASSEMBLY
2D-1	906841-01	1	COIL, 12 VDC
2D-2	906840-01	1	VALVE CARTRIDGE (2 WAY, 2 POLE)
2D-3	906840-02	1	NUT, CARTRIDGE VALVE
3	286283-01	1	FACE SEAL TUBE ASSEMBLY, RETURN LINE
4	286282-01	1	FACE SEAL TUBE ASSEMBLY, LIFT LINE
5	906830-01	1	ELBOW 90°, FACE SEAL, #8 M-M
6	286296-01	1	TUBE ASSEMBLY, FACE SEAL, 1/4"
7.1	286335-01	1	CYL D/ACT, 1.75BX53.13XTRX1R
7.2	286335-02	1	CYL D/ACT, 2BX53.13STRX1R
8	286281-01	1	CYLINDER ASSEMBLY, 2-3/4" BORE, 5-1/4" STROKE
8A	253657	1	BEARING, SELF LUBE DIA. 1" I.D. X 1" LG.
8B	905179	1	CONNECTOR, FACE SEAL #4, O-RING, #6 M-M
8C	906792-01	1	UNION, ELBOW, F/S #4M-#4M 90°
9	296853-01	1	TWIN HOSE & CABLE ASSY, BMR
9A	096002-10	1	DISCHARGE HOSE, 1"BLUE PVC,38.5"L
10	286298-01	1	TUBE ASSEMBLY, FACE SEAL, 1/4"
11	905157	1	ELBOW, 3/8" FACE SEAL, 1/4' NPTF, M-M
12	906792-01	1	UNION, ELBOW, FACE SEAL #4M-#4M 90 DEG
13	905156	1	AIR BRAKE CONNECTOR
14	905155	1	TEE, UNION AIR BRAKE, 3/8"
15	099996-02	1	TUBING,.375 THERMOPLASTIC 7.0'
15	099996-03	1	TUBING.375 THERMOPLASTIC 16.0'

SPARE PARTS LIST

BMR 3300 4400 5500 6600

Hydraulic Systems - Gravity Down (Oct 2016 - Feb 2017)

Pos	CPN	Qty	Description
15	099996-10	1	TUBING, .375 THERMOPLASTIC 22.0'
15	099996-08	1	TUBING.375 THERMOPLASTIC 27.0'
15	099996-09	1	TUBING,.375 THERMOPLASTIC 35.0'
16	280223-01	1	H/A HP.38F/S#8 90 F-JIC#8F72"
16	280223-03	1	H/A HP.38F/S#8 90 F-JIC#8F196"
16	280223-13	1	H/A HP.38F/S#8 90F-JIC#8F 256"
16	280223-05	1	H/A HP.38F/S#8 90 F-JIC#8F316"
16	280223-09	1	H/A HP.38F/S#8 90F-JIC#8F 412"
17	280223-02	1	H/A HP.38F/S#8 90 F-JIC#8F150"
17	280223-04	1	H/A HP.38F/S#8 90 F-JIC#8F274"
17	280223-14	1	H/A HP.38F/S#8 90F-JIC#8F 334"
17	280223-06	1	H/A HP.38F/S#8 90 F-JIC#8F394"
17	280223-10	1	H/A HP.38F/S#8 90F-JIC#8F 490"
18	099996-06	1	TUBING, THERMOPLASTIC, 3/8", 2 FT.
19	280232-01	1	H/A HP1/4F/S#4 90F-JIC#4F 64"
19	280232-02	1	H/A HP1/4F/S#4 90F-JIC#4F 188"
19	280232-09	1	H/A HP.25F/S#4 90F-JIC#4F 248"
19	280232-03	1	H/A HP1/4F/S#4 90F-JIC#4F 308"
19	280232-05	1	H/A HP.25F/S#4 90F-JIC#4F 404"
20	906712-01	1	O-RING, #4 (1/4" FACE SEAL TUBE-END)
21	906712-02	1	O-RING, #6 (3/8" FACE SEAL TUBE-END)
22	906712-03	1	O-RING, #8 (1/2" FACE SEAL TUBE-END)
REF	296190-12	1	BMR PMP BOX ASSY, G/D 12V
23	099996-05	1	TUBING, THERMOPLASTIC, 3/8", 9 FT.
24	280232-01-100	1	H/A HP1/4F/S#4 90F-JIC#4F 64" W/YEL TAPE
24	280232-02-100	1	H/A HP1/4F/S#4 90F-JIC#4F 188" W/YEL TAPE
24	280232-09-100	1	H/A HP.25F/S#4 90F-JIC#4F 248" W/YEL TAPE
24	280232-03-100	1	H/A HP1/4F/S#4 90F-JIC#4F 308" W/YEL TAPE

SPARE PARTS LIST**BMR 3300 4400 5500 6600**

Hydraulic Systems - Gravity Down (Oct 2016 - Feb 2017)

Pos	CPN	Qty	Description
24	280232-05-100	1	H/A HP.25F/S#4 90F-JIC#4F 404" W/YEL TAPE
1	906707-01	1	ELBOW, FACE SEAL, #6 M-M

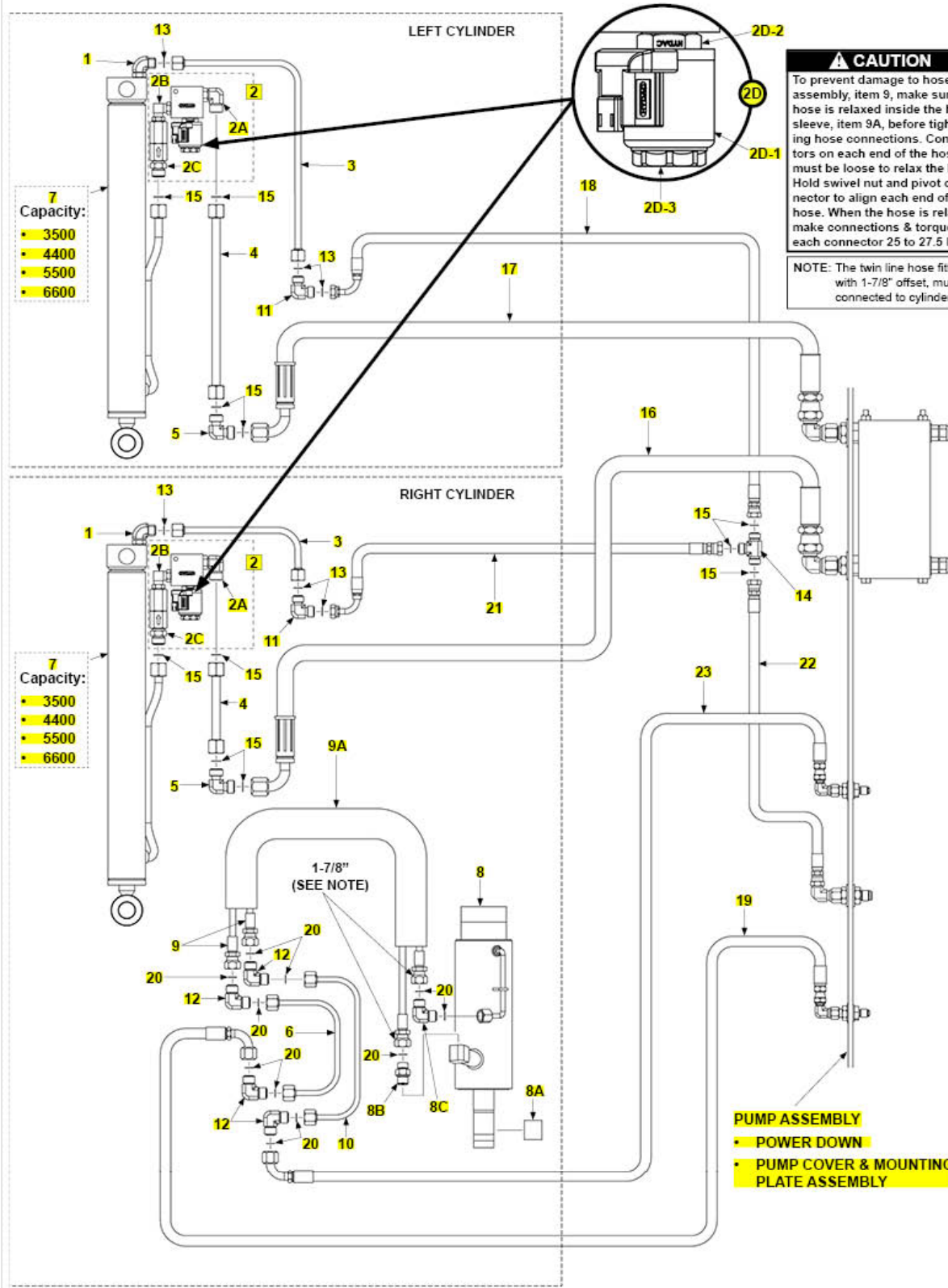
SPARE PARTS LIST

BMR 3300 4400 5500 6600

Hydraulic Systems - Power Down

**HYDRAULIC SYSTEMS - POWER DOWN
(BUCHER HYDRAULICS)**

MAR 2017 to present



SPARE PARTS LIST
BMR 3300 4400 5500 6600
 Hydraulic Systems - Power Down

Pos	CPN	Qty	Description
2	288520-12	1	HYDRAULIC LOCK VALVE, 12 VDC
2A	905158	1	ELBOW STRAIGHT, FACE SEAL #8, O-RING, #6 M-M
2B	906722-01	1	ELBOW 90°, O-RING, #6 M-M
2C	288518-01	1	VALVE ASSEMBLY, PRESSURE COMPENSATED, 3 GPM
2D	282999-01	1	HYDRAULIC LOCK VALVE ASSEMBLY
2D-1	906841-01	1	COIL, 12 VDC
2D-2	906840-01	1	VALVE CARTRIDGE (2 WAY, 2 POLE)
2D-3	906840-02	1	NUT, CARTRIDGE VALVE
3	286283-01	1	FACE SEAL TUBE ASSEMBLY, RETURN LINE
4	286282-01	1	FACE SEAL TUBE ASSEMBLY, LIFT LINE
5	906830-01	1	ELBOW 90°, FACE SEAL, #8 M-M
6	286296-01	1	TUBE ASSEMBLY, FACE SEAL, 1/4"
7.1	286335-01	1	CYL D/ACT, 1.75BX53.13XTRX1R
7.2	286335-02	1	CYL D/ACT, 2BX53.13STRX1R
8	286281-01	1	CYLINDER ASSEMBLY, 2-3/4" BORE, 5-1/4" STROKE
8A	253657	1	BEARING, SELF LUBE DIA. 1" I.D. X 1" LG.
8B	905179	1	CONNECTOR, FACE SEAL #4, O-RING, #6 M-M
8C	906792-01	1	UNION, ELBOW, F/S #4M-#4M 90°
9	296853-01	1	TWIN HOSE & CABLE ASSY, BMR
9A	096002-10	1	DISCHARGE HOSE, 1" BLUE PVC, 38.5"L
10	286298-01	1	TUBE ASSEMBLY, FACE SEAL, 1/4"
11	906829-01	1	UNION, ELBOW, F/S #6M-#6M 90DEG
12	906792-01	1	UNION, ELBOW, FACE SEAL #4M-#4M 90 DEG
13	906712-02	1	O-RING, #6 (3/8" FACE SEAL TUBE-END)
14	905150	1	TEE, UNION 3/8 F.S. MALE, 6-JLO
15	906712-03	1	O-RING, #8 (1/2" FACE SEAL TUBE-END)
16	280223-01	1	H/A HP.38F/S#8 90 F-JIC#8F72"

SPARE PARTS LIST
BMR 3300 4400 5500 6600
 Hydraulic Systems - Power Down

Pos	CPN	Qty	Description
16	280223-03	1	H/A HP.38F/S#8 90 F-JIC#8F196"
16	280223-13	1	H/A HP.38F/S#8 90F-JIC#8F 256"
16	280223-05	1	H/A HP.38F/S#8 90 F-JIC#8F316"
16	280223-09	1	H/A HP.38F/S#8 90F-JIC#8F 412"
17	280223-02	1	H/A HP.38F/S#8 90 F-JIC#8F150"
17	280223-04	1	H/A HP.38F/S#8 90 F-JIC#8F274"
17	280223-14	1	H/A HP.38F/S#8 90F-JIC#8F 334"
17	280223-06	1	H/A HP.38F/S#8 90 F-JIC#8F394"
17	280223-10	1	H/A HP.38F/S#8 90F-JIC#8F 490"
18	264294-02	1	HOSE/A HP1/4F/S690DECF/S6F100
19	280232-01	1	H/A HP1/4F/S#4 90F-JIC#4F 64"
19	280232-02	1	H/A HP1/4F/S#4 90F-JIC#4F 188"
19	280232-09	1	H/A HP.25F/S#4 90F-JIC#4F 248"
19	280232-03	1	H/A HP1/4F/S#4 90F-JIC#4F 308"
19	280232-05	1	H/A HP.25F/S#4 90F-JIC#4F 404"
20	906712-01	1	O-RING, #4 (1/4" FACE SEAL TUBE-END)
21	264294-03	1	HP HOSE 1/4", 24" LG.
22	280229-01	1	H/A HP.25,F/S#6F-JIC #6F,34"
22	280229-02	1	H/A HP.25,F/S#6F-JIC #6F,166"
22	280229-06	1	H/A HP.25,F/S#6F-JIC#6F,226"
22	280229-03	1	H/A HP.25,F/S#6F-JIC #6F,286"
22	280229-04	1	H/A HP.25,F/S#6F-JIC#6F,382"
REF	296180-12	1	BMR PMP BOX ASSY, P/D 12V
23	280232-01-100	1	H/A HP1/4F/S#4 90F-JIC#4F 64" W/YEL TAPE
23	280232-02-100	1	H/A HP1/4F/S#4 90F-JIC#4F 188" W/YEL TAPE
23	280232-09-100	1	H/A HP.25F/S#4 90F-JIC#4F 248" W/YEL TAPE
23	280232-03-100	1	H/A HP1/4F/S#4 90F-JIC#4F 308" W/YEL TAPE

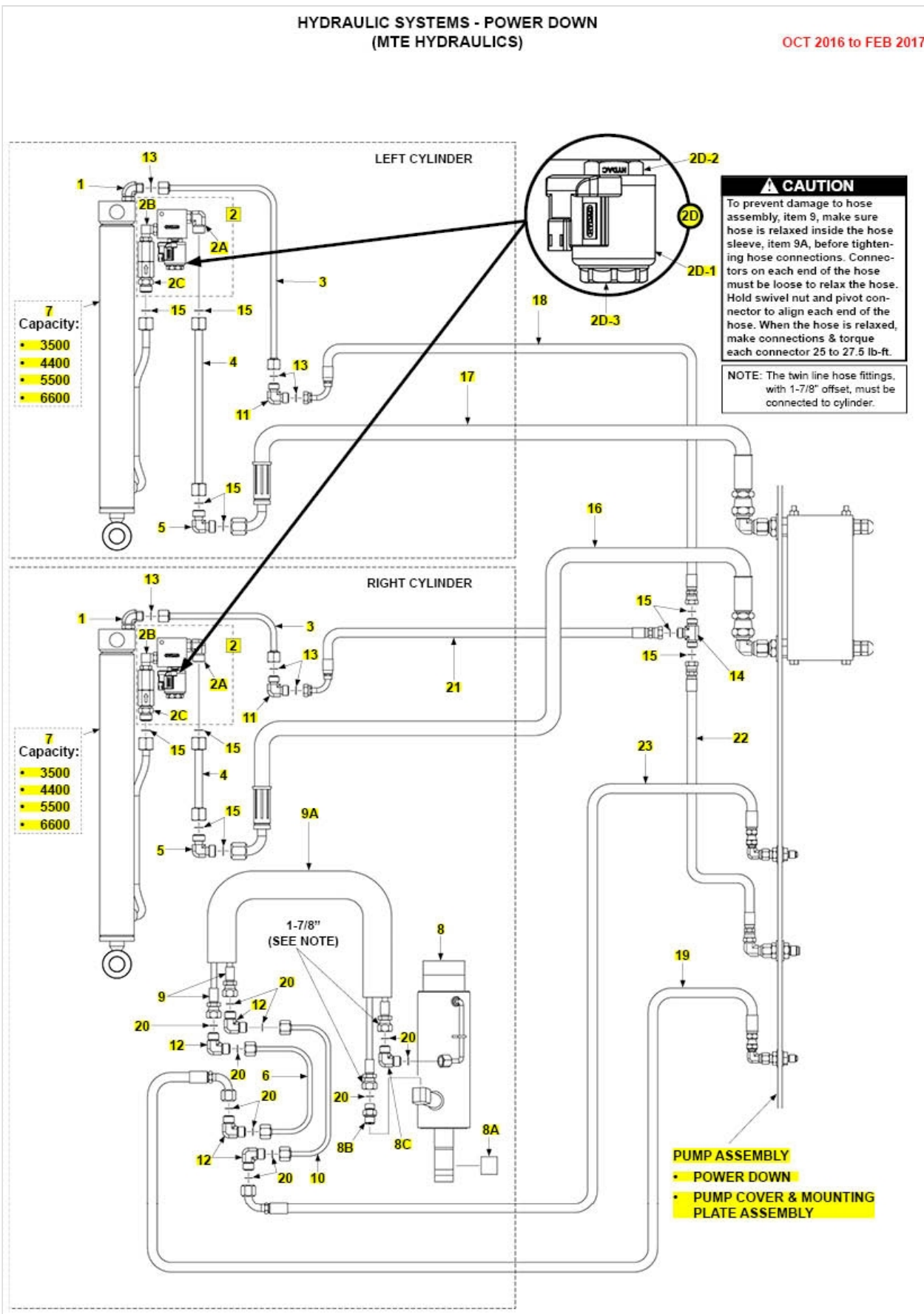
SPARE PARTS LIST
BMR 3300 4400 5500 6600
Hydraulic Systems - Power Down

Pos	CPN	Qty	Description
23	280232-05-100	1	H/A HP.25F/S#4 90F-JIC#4F 404" W/YEL TAPE
1	906707-01	1	ELBOW, FACE SEAL, #6 M-M

SPARE PARTS LIST

BMR 3300 4400 5500 6600

Hydraulic Systems - Power Down (Oct 2016 - Feb 2017)



SPARE PARTS LIST**BMR 3300 4400 5500 6600**

Hydraulic Systems - Power Down (Oct 2016 - Feb 2017)

Pos	CPN	Qty	Description
2	288520-12	1	HYDRAULIC LOCK VALVE, 12 VDC
2A	905158	1	ELBOW STRAIGHT, FACE SEAL #8, O-RING, #6 M-M
2B	906722-01	1	ELBOW 90°, O-RING, #6 M-M
2C	288518-01	1	VALVE ASSEMBLY, PRESSURE COMPENSATED, 3 GPM
2D	282999-01	1	HYDRAULIC LOCK VALVE ASSEMBLY
2D-1	906841-01	1	COIL, 12 VDC
2D-2	906840-01	1	VALVE CARTRIDGE (2 WAY, 2 POLE)
2D-3	906840-02	1	NUT, CARTRIDGE VALVE
3	286283-01	1	FACE SEAL TUBE ASSEMBLY, RETURN LINE
4	286282-01	1	FACE SEAL TUBE ASSEMBLY, LIFT LINE
5	906830-01	1	ELBOW 90°, FACE SEAL, #8 M-M
6	286296-01	1	TUBE ASSEMBLY, FACE SEAL, 1/4"
7.1	286335-01	1	CYL D/ACT, 1.75BX53.13XTRX1R
7.2	286335-02	1	CYL D/ACT, 2BX53.13STRX1R
8	286281-01	1	CYLINDER ASSEMBLY, 2-3/4" BORE, 5-1/4" STROKE
8A	253657	1	BEARING, SELF LUBE DIA. 1" I.D. X 1" LG.
8B	905179	1	CONNECTOR, FACE SEAL #4, O-RING, #6 M-M
8C	906792-01	1	UNION, ELBOW, F/S #4M-#4M 90°
9	296853-01	1	TWIN HOSE & CABLE ASSY, BMR
9A	096002-10	1	DISCHARGE HOSE, 1" BLUE PVC, 38.5"L
10	286298-01	1	TUBE ASSEMBLY, FACE SEAL, 1/4"
11	906829-01	1	UNION, ELBOW, F/S #6M-#6M 90 DEG
12	906792-01	1	UNION, ELBOW, FACE SEAL #4M-#4M 90 DEG
13	906712-02	1	O-RING, #6 (3/8" FACE SEAL TUBE-END)
14	905150	1	TEE, UNION 3/8 F.S. MALE, 6-JLO
15	906712-03	1	O-RING, #8 (1/2" FACE SEAL TUBE-END)
16	280223-01	1	H/A HP.38F/S#8 90 F-JIC#8F72"

SPARE PARTS LIST

BMR 3300 4400 5500 6600

Hydraulic Systems - Power Down (Oct 2016 - Feb 2017)

Pos	CPN	Qty	Description
16	280223-03	1	H/A HP.38F/S#8 90 F-JIC#8F196"
16	280223-13	1	H/A HP.38F/S#8 90F-JIC#8F 256"
16	280223-05	1	H/A HP.38F/S#8 90 F-JIC#8F316"
16	280223-09	1	H/A HP.38F/S#8 90F-JIC#8F 412"
17	280223-02	1	H/A HP.38F/S#8 90 F-JIC#8F150"
17	280223-04	1	H/A HP.38F/S#8 90 F-JIC#8F274"
17	280223-14	1	H/A HP.38F/S#8 90F-JIC#8F 334"
17	280223-06	1	H/A HP.38F/S#8 90 F-JIC#8F394"
17	280223-10	1	H/A HP.38F/S#8 90F-JIC#8F 490"
18	264294-02	1	HOSE/A HP1/4F/S690DECF/S6F100
19	280232-01	1	H/A HP1/4F/S#4 90F-JIC#4F 64"
19	280232-02	1	H/A HP1/4F/S#4 90F-JIC#4F 188"
19	280232-09	1	H/A HP.25F/S#4 90F-JIC#4F 248"
19	280232-03	1	H/A HP1/4F/S#4 90F-JIC#4F 308"
19	280232-05	1	H/A HP.25F/S#4 90F-JIC#4F 404"
20	906712-01	1	O-RING, #4 (1/4" FACE SEAL TUBE-END)
21	264294-03	1	HP HOSE 1/4", 24" LG.
22	280229-01	1	H/A HP.25,F/S#6F-JIC #6F,34"
22	280229-02	1	H/A HP.25,F/S#6F-JIC #6F,166"
22	280229-06	1	H/A HP.25,F/S#6F-JIC#6F,226"
22	280229-03	1	H/A HP.25,F/S#6F-JIC #6F,286"
22	280229-04	1	H/A HP.25,F/S#6F-JIC#6F,382"
REF	296180-12	1	BMR PMP BOX ASSY, P/D 12V
23	280232-01-100	1	H/A HP1/4F/S#4 90F-JIC#4F 64" W/YEL TAPE
23	280232-02-100	1	H/A HP1/4F/S#4 90F-JIC#4F 188" W/YEL TAPE
23	280232-09-100	1	H/A HP.25F/S#4 90F-JIC#4F 248" W/YEL TAPE
23	280232-03-100	1	H/A HP1/4F/S#4 90F-JIC#4F 308" W/YEL TAPE

SPARE PARTS LIST**BMR 3300 4400 5500 6600**

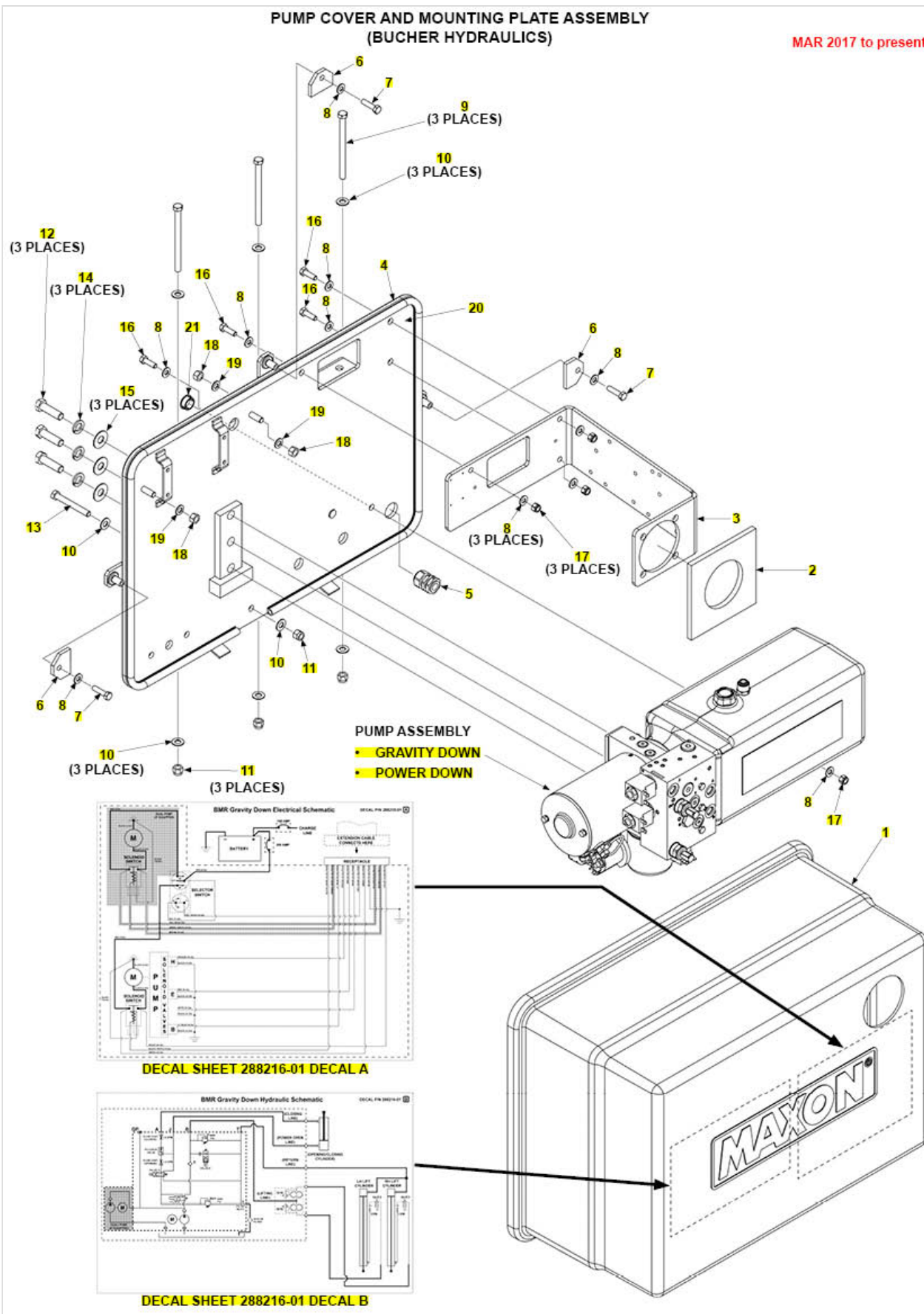
Hydraulic Systems - Power Down (Oct 2016 - Feb 2017)

Pos	CPN	Qty	Description
23	280232-05-100	1	H/A HP.25F/S#4 90F-JIC#4F 404" W/YEL TAPE
1	906707-01	1	ELBOW, FACE SEAL, #6 M-M

SPARE PARTS LIST

BMR 3300 4400 5500 6600

Pump Cover and Mounting Plate Assembly



SPARE PARTS LIST**BMR 3300 4400 5500 6600**

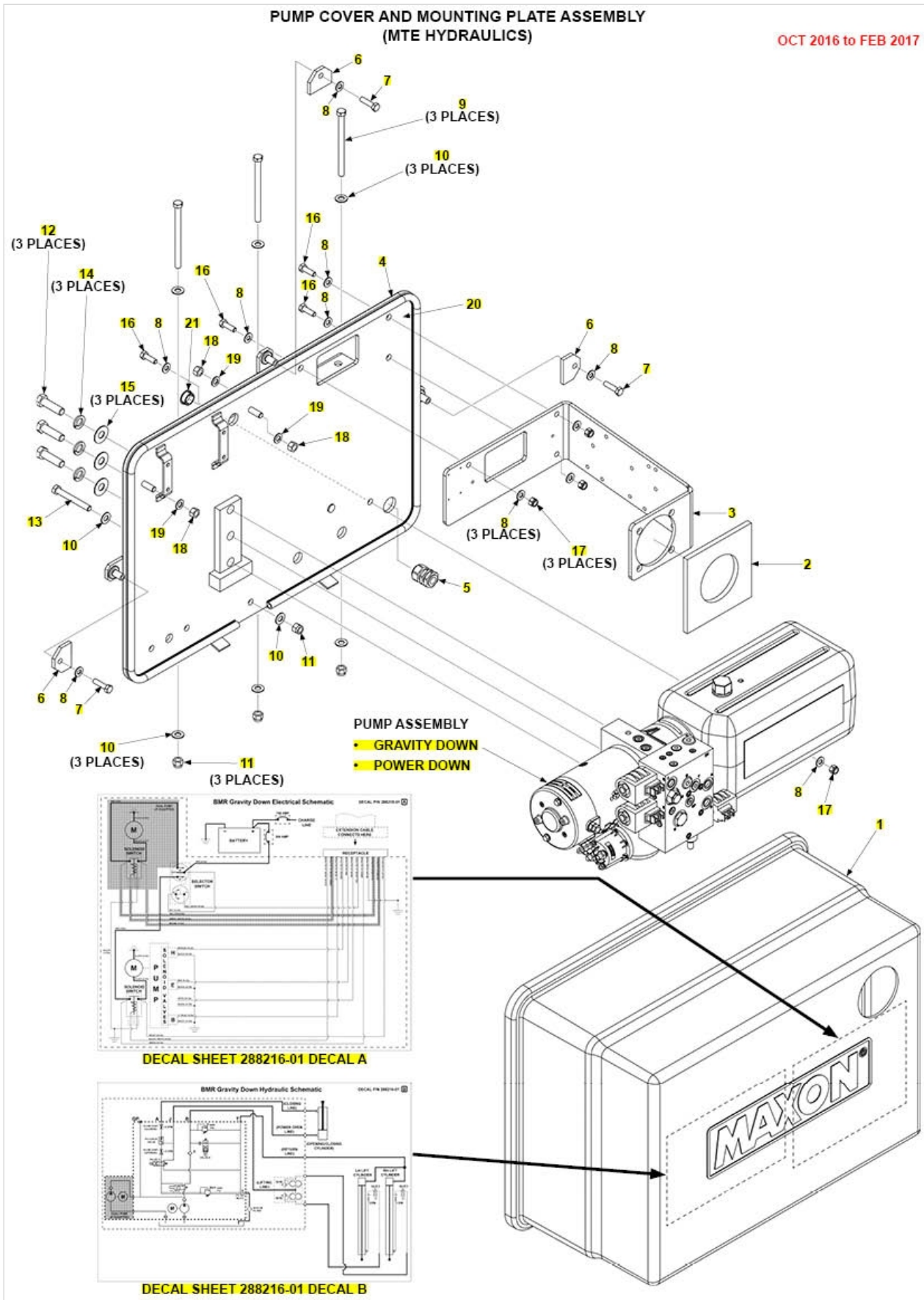
Pump Cover and Mounting Plate Assembly

Pos	CPN	Qty	Description
2	289701-01	1	PUMP SWITCH SEAL
3	296183-01	1	CONTROL PANEL & SW MNT PLATE
4	093232	1	NEOPRENE BULB TRIM SEAL, 1/4"
5	268034-03	1	CORD GRIP, NYLON, 3/4" X 3/8" I.D.
6	281062-03	1	FLAT HOLDER, 1-9/16" LG.
7	900009-5	1	SCREW, CAP .31-18X1.25 G8 ZC
8	903443-07	1	FLAT WASHER, 5/16"
9	900014-16	1	HEX CAP SCREW, 3/8"-16 X 5" LG, GRADE 8
10	902013-11	1	FLAT WASHER, 3/8"
11	901002	1	NYLON NUT, 3/8"-16
12	900035-4	1	HEX HEAD CAP SCREW, 1/2"-13 X 1-3/4" LG.
13	900014-11	1	SCREW,HEX CAP.38-16X3 GR8, ZC
14	902011-6	1	WASHER, LOCK 1/2X1/8 ZC
15	903409-05	1	FENDER WASHER, 9/16" I.D. X 1-1/4" O.D.
16	901602-06	1	HEX HEAD BOLT, 5/16"-18 X 1" LG.
17	903106-10	1	NYLON NUT, 5/16"-18
18	901011-5	1	HEX HEAD NUT, 3/8"-16
19	902028-6	1	FLAT WASHER, 11/16" O.D. X 3/8" I.D.
20	296182-01G	1	BMRB PMP MOUNT PLATE WLDMT GALV
21	908081-04	1	NYLON PLUG, 7/8"
REF	288216-01	1	DECAL SHEET,BMR GD SCHEMATIC
REF	288213-06	1	DECAL SHEET,BMRB POWER DOWN
1	269575-02	1	PUMP COVER

SPARE PARTS LIST

BMR 3300 4400 5500 6600

Pump Cover and Mounting Plate Assembly (Oct 2016 - Feb 2017)



SPARE PARTS LIST**BMR 3300 4400 5500 6600**

Pump Cover and Mounting Plate Assembly (Oct 2016 - Feb 2017)

Pos	CPN	Qty	Description
2	289701-01	1	PUMP SWITCH SEAL
3	296183-01	1	CONTROL PANEL & SW MNT PLATE
4	093232	1	NEOPRENE BULB TRIM SEAL, 1/4"
5	268034-03	1	CORD GRIP, NYLON, 3/4" X 3/8" I.D.
6	281062-03	1	FLAT HOLDER, 1-9/16" LG.
7	900009-5	1	SCREW, CAP .31-18X1.25 G8 ZC
8	903443-07	1	FLAT WASHER, 5/16"
9	900014-16	1	HEX CAP SCREW, 3/8"-16 X 5" LG, GRADE 8
10	902013-11	1	FLAT WASHER, 3/8"
11	901002	1	NYLON NUT, 3/8"-16
12	900035-4	1	HEX HEAD CAP SCREW, 1/2"-13 X 1-3/4" LG.
13	900014-11	1	SCREW,HEX CAP.38-16X3 GR8, ZC
14	902011-6	1	WASHER, LOCK 1/2X1/8 ZC
15	903409-05	1	FENDER WASHER, 9/16" I.D. X 1-1/4" O.D.
16	901602-06	1	HEX HEAD BOLT, 5/16"-18 X 1" LG.
17	903106-10	1	NYLON NUT, 5/16"-18
18	901011-5	1	HEX HEAD NUT, 3/8"-16
19	902028-6	1	FLAT WASHER, 11/16" O.D. X 3/8" I.D.
20	296182-01G	1	BMRB PMP MOUNT PLATE WLDMT GALV
21	908081-04	1	NYLON PLUG, 7/8"
REF	288216-01	1	DECAL SHEET,BMR GD SCHEMATIC
REF	288213-06	1	DECAL SHEET,BMRB POWER DOWN
1	269575-02	1	PUMP COVER

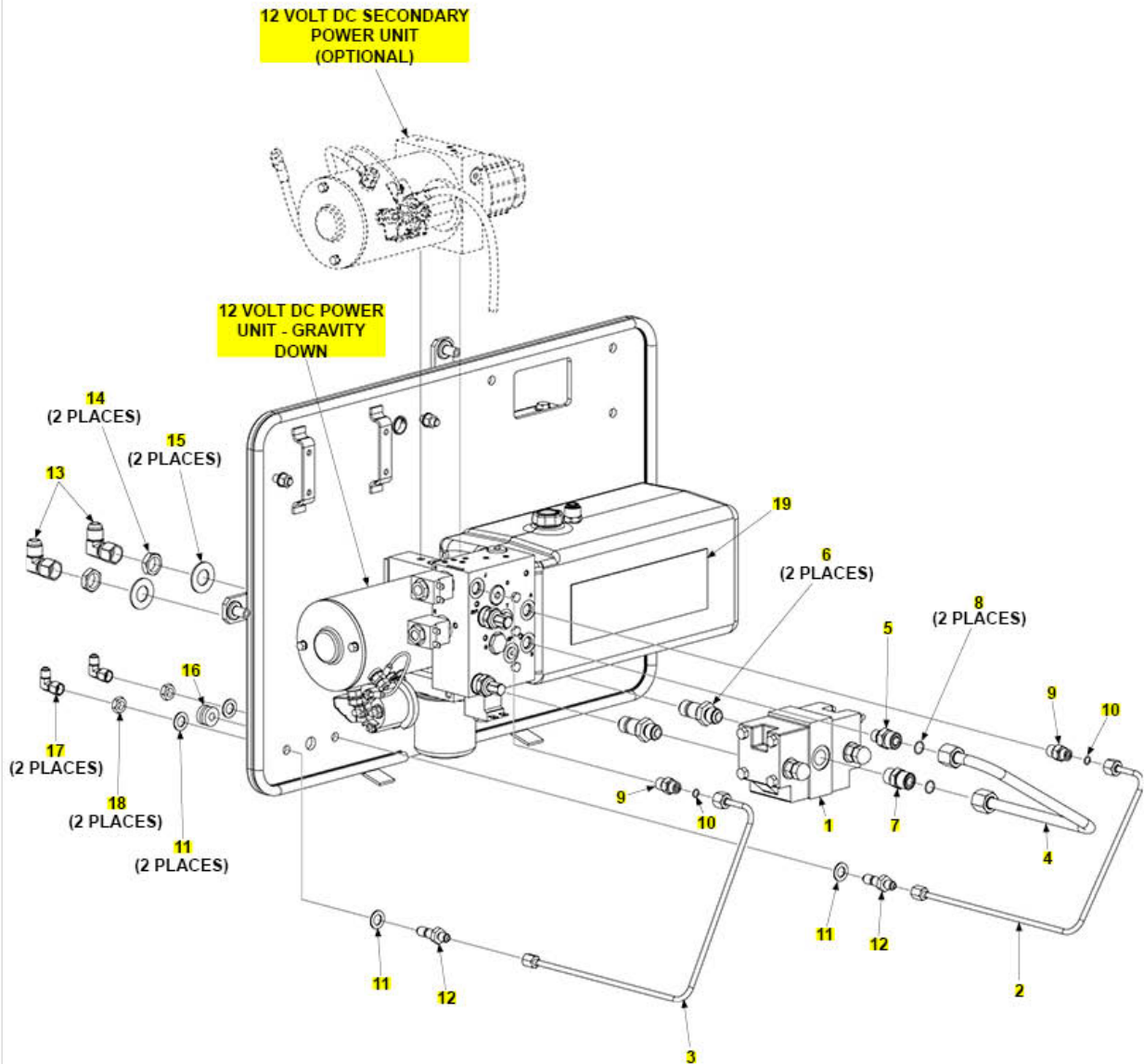
SPARE PARTS LIST

BMR 3300 4400 5500 6600

Pump Assembly - Gravity Down

**PUMP ASSEMBLY - GRAVITY DOWN
(BUCHER HYDRAULICS)**

MAR 2017 to present



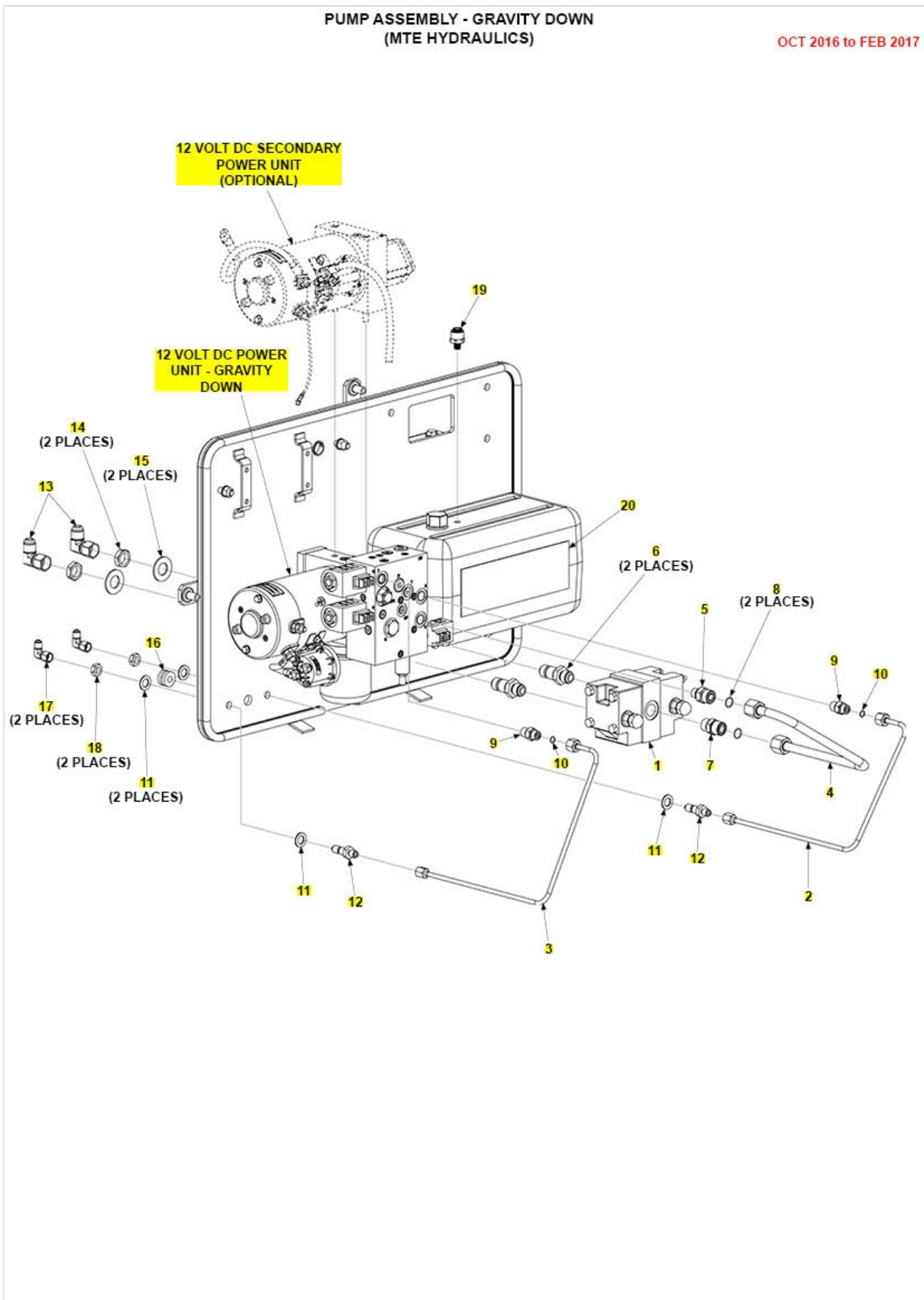
SPARE PARTS LIST
BMR 3300 4400 5500 6600
Pump Assembly - Gravity Down

Pos	CPN	Qty	Description
2	287665-01	1	FACE SEAL TUBE ASSEMBLY, 1/4"
3	287664-01	1	FACE SEAL TUBE ASSEMBLY, 1/4"
4	287667-01	1	FACE SEAL TUBE ASSEMBLY, 1/2"
5	906762-01	1	CONNECTOR, #8 FACE SEAL, #6 O-RING, M-M
6	261461	1	BULKHEAD UNION, 37°, TWIN FLARE
7	905173-02	1	CONNECTOR, ORIFICE FACE SEAL, #8
8	906712-03	1	O-RING, #8, 1/2" FACE SEAL, TUBE END
9	905179	1	CONNECTOR, #4 FACE SEAL, #6 O-RING, M-M
10	906712-01	1	O-RING, #4 (1/4" FACE SEAL TUBE-END)
11	902000-14	1	WASHER, FLAT .500X.063 THK
12	905096	1	BULKHEAD UNION FITTING, M, #4
13	260120	1	ELBOW, 90°, #8M - #8F
14	261462	1	BULKHEAD NUT, 37°, TWIN FLARE
15	902000-20	1	FLAT WASHER, 3/4" X 3/32" THICK
16	263981	1	GROMMET, 3/8" X 5/8"-
17	905027	1	ELBOW, 37°, NUT, #4
18	905085	1	BULKHEAD NUT, #4
19	905384-01	1	ADAPTER, .375 OD TUBE X .125 NPTF
20	282927-01	1	DECAL, BMRB OIL LEVEL
1	253513	1	FLOW DIVIDER

SPARE PARTS LIST

BMR 3300 4400 5500 6600

Pump Assembly - Gravity Down (Oct 2016 - Feb 2017)



SPARE PARTS LIST**BMR 3300 4400 5500 6600**

Pump Assembly - Gravity Down (Oct 2016 - Feb 2017)

Pos	CPN	Qty	Description
2	287665-01	1	FACE SEAL TUBE ASSEMBLY, 1/4"
3	287664-01	1	FACE SEAL TUBE ASSEMBLY, 1/4"
4	287667-01	1	FACE SEAL TUBE ASSEMBLY, 1/2"
5	906762-01	1	CONNECTOR, #8 FACE SEAL, #6 O-RING, M-M
6	261461	1	BULKHEAD UNION, 37°, TWIN FLARE
7	905173-02	1	CONNECTOR, ORIFICE FACE SEAL, #8
8	906712-03	1	O-RING, #8, 1/2" FACE SEAL, TUBE END
9	905179	1	CONNECTOR, #4 FACE SEAL, #6 O-RING, M-M
10	906712-01	1	O-RING, #4 (1/4" FACE SEAL TUBE-END)
11	902000-14	1	WASHER, FLAT .500X.063 THK
12	905096	1	BULKHEAD UNION FITTING, M, #4
13	260120	1	ELBOW, 90°, #8M - #8F
14	261462	1	BULKHEAD NUT, 37°, TWIN FLARE
15	902000-20	1	FLAT WASHER, 3/4" X 3/32" THICK
16	263981	1	GROMMET, 3/8" X 5/8"-
17	905027	1	ELBOW, 37°, NUT, #4
18	905085	1	BULKHEAD NUT, #4
19	905384-01	1	ADAPTER, .375 OD TUBE X .125 NPTF
20	282927-01	1	DECAL, BMRB OIL LEVEL
1	253513	1	FLOW DIVIDER

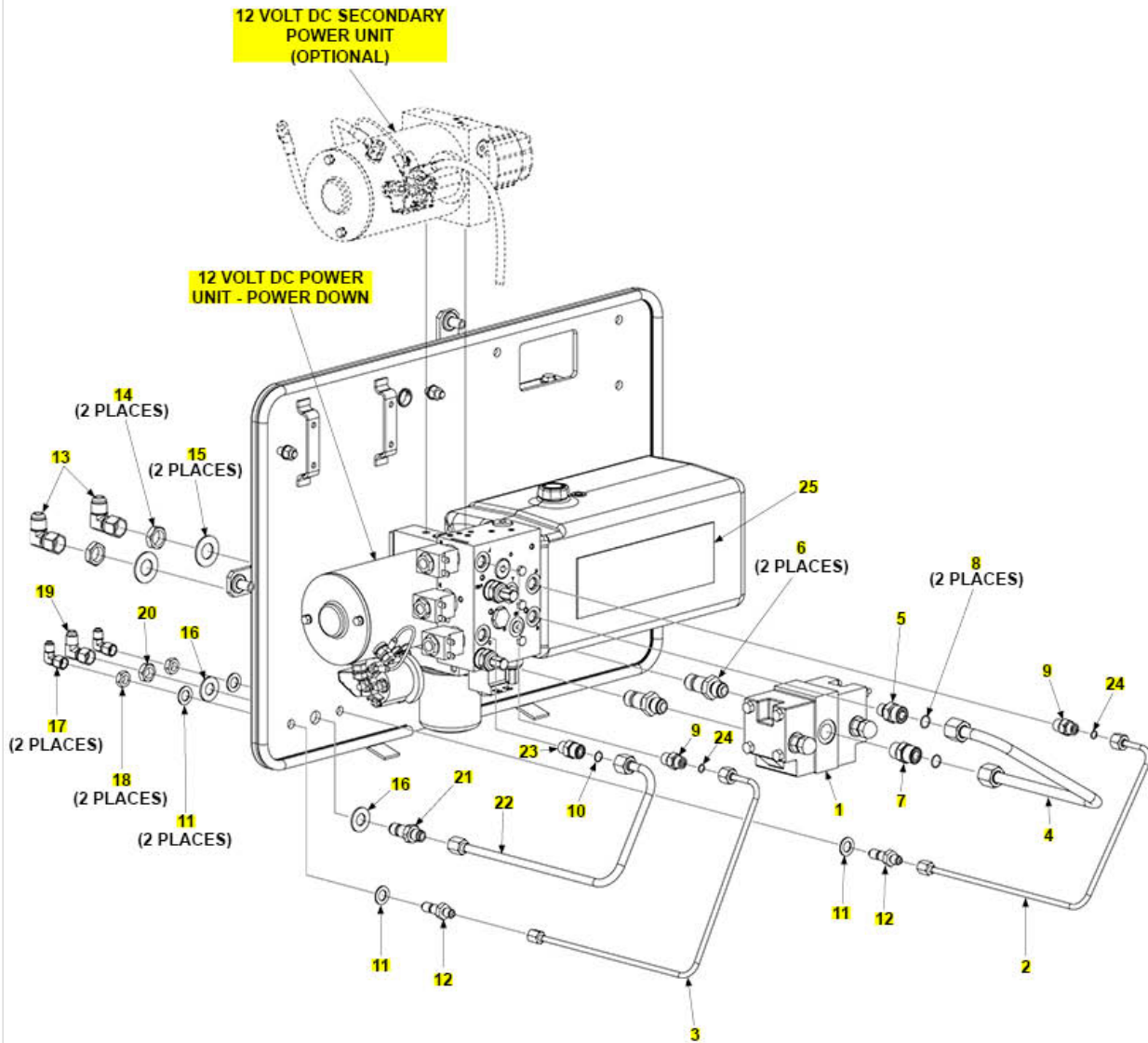
SPARE PARTS LIST

BMR 3300 4400 5500 6600

Pump Assembly - Power Down

**PUMP ASSEMBLY - POWER DOWN
(BUCHER HYDRAULICS)**

MAR 2017 to present



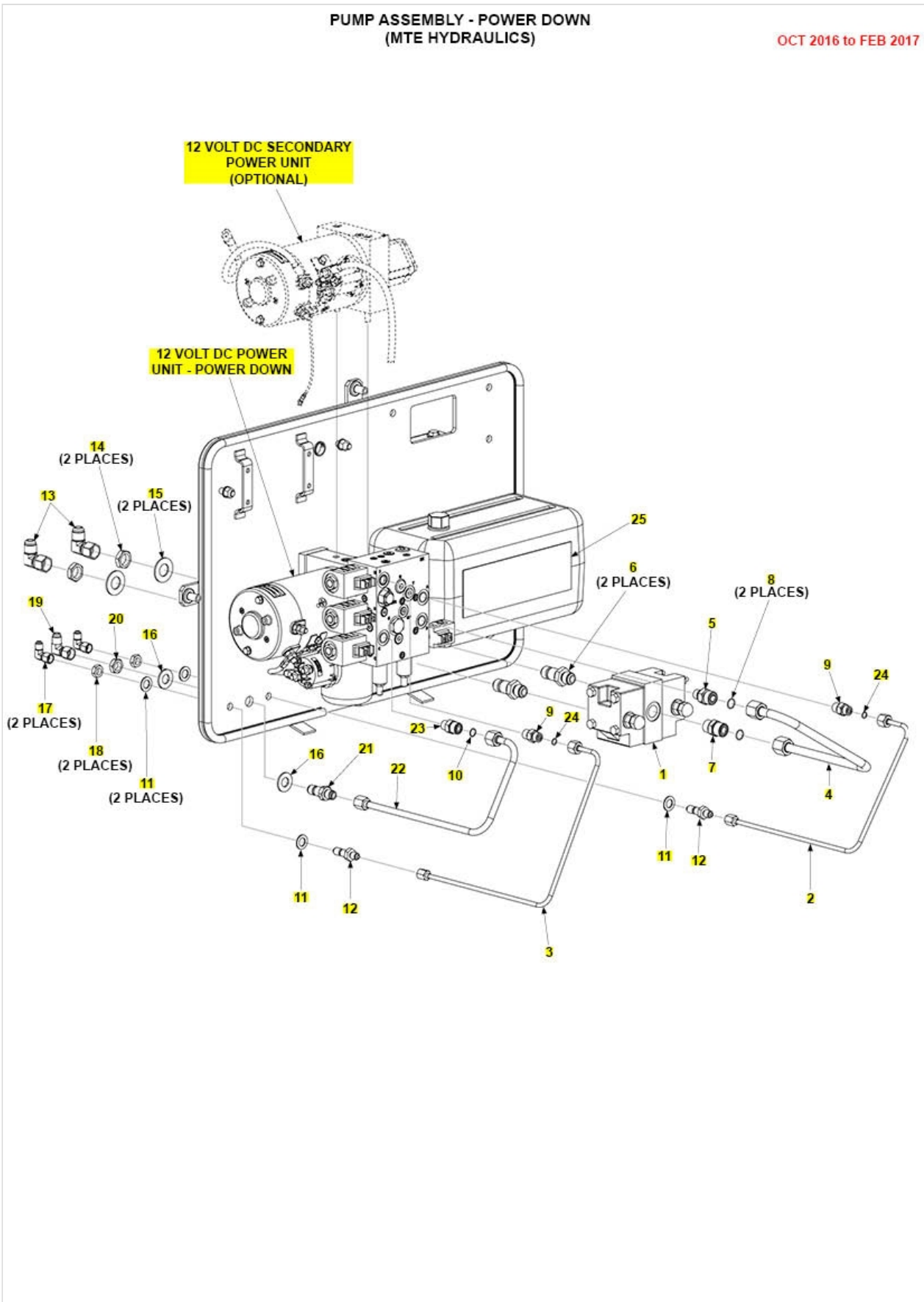
SPARE PARTS LIST
BMR 3300 4400 5500 6600
 Pump Assembly - Power Down

Pos	CPN	Qty	Description
2	287665-01	1	FACE SEAL TUBE ASSEMBLY, 1/4"
3	287664-01	1	FACE SEAL TUBE ASSEMBLY, 1/4"
4	287667-01	1	FACE SEAL TUBE ASSEMBLY, 1/2"
5	906762-01	1	CONNECTOR, #8 FACE SEAL, #6 O-RING, M-M
6	261461	1	BULKHEAD UNION, 37°, TWIN FLARE
7	905173-02	1	CONNECTOR, ORIFICE FACE SEAL, #8
8	906712-03	1	O-RING, #8, 1/2" FACE SEAL, TUBE END
9	905179	1	CONNECTOR, #4 FACE SEAL, #6 O-RING, M-M
10	906712-02	1	O-RING, #6, 3/8" FACE SEAL, TUBE END
11	902000-14	1	WASHER, FLAT .500X.063 THK
12	905096	1	BULKHEAD UNION FITTING, M, #4
13	260120	1	ELBOW, 90°, #8M - #8F
14	261462	1	BULKHEAD NUT, 37°, TWIN FLARE
15	902000-20	1	FLAT WASHER, 3/4"
16	902013-14	1	FLAT WASHER, 9/16"
17	905027	1	ELBOW, 37°, NUT, #4
18	905085	1	BULKHEAD NUT, #4
19	905154	1	ELBOW, 90°, #6M - #6F
20	905086	1	BULKHEAD NUT, #6
21	905100	1	BULKHEAD UNION FITTING, M, #6
22	287666-01	1	FACE SEAL TUBE ASSEMBLY, 3/8"
23	905173	1	CONNECTOR, ORIFICE FACE SEAL, #6
24	906712-01	1	O-RING, #4 (1/4" FACE SEAL TUBE-END)
25	282927-01	1	DECAL, BMRB OIL LEVEL
1	253513	1	FLOW DIVIDER

SPARE PARTS LIST

BMR 3300 4400 5500 6600

Pump Assembly - Power Down (Oct 2016 - Feb 2017)



SPARE PARTS LIST**BMR 3300 4400 5500 6600**

Pump Assembly - Power Down (Oct 2016 - Feb 2017)

Pos	CPN	Qty	Description
2	287665-01	1	FACE SEAL TUBE ASSEMBLY, 1/4"
3	287664-01	1	FACE SEAL TUBE ASSEMBLY, 1/4"
4	287667-01	1	FACE SEAL TUBE ASSEMBLY, 1/2"
5	906762-01	1	CONNECTOR, #8 FACE SEAL, #6 O-RING, M-M
6	261461	1	BULKHEAD UNION, 37°, TWIN FLARE
7	905173-02	1	CONNECTOR, ORIFICE FACE SEAL, #8
8	906712-03	1	O-RING, #8, 1/2" FACE SEAL, TUBE END
9	905179	1	CONNECTOR, #4 FACE SEAL, #6 O-RING, M-M
10	906712-02	1	O-RING, #6, 3/8" FACE SEAL, TUBE END
11	902000-14	1	WASHER, FLAT .500X.063 THK
12	905096	1	BULKHEAD UNION FITTING, M, #4
13	260120	1	ELBOW, 90°, #8M - #8F
14	261462	1	BULKHEAD NUT, 37°, TWIN FLARE
15	902000-20	1	FLAT WASHER, 3/4"
16	902013-14	1	FLAT WASHER, 9/16"
17	905027	1	ELBOW, 37°, NUT, #4
18	905085	1	BULKHEAD NUT, #4
19	905154	1	ELBOW, 90°, #6M - #6F
20	905086	1	BULKHEAD NUT, #6
21	905100	1	BULKHEAD UNION FITTING, M, #6
22	287666-01	1	FACE SEAL TUBE ASSEMBLY, 3/8"
23	905173	1	CONNECTOR, ORIFICE FACE SEAL, #6
24	906712-01	1	O-RING, #4 (1/4" FACE SEAL TUBE-END)
25	282927-01	1	DECAL, BMRB OIL LEVEL
1	253513	1	FLOW DIVIDER

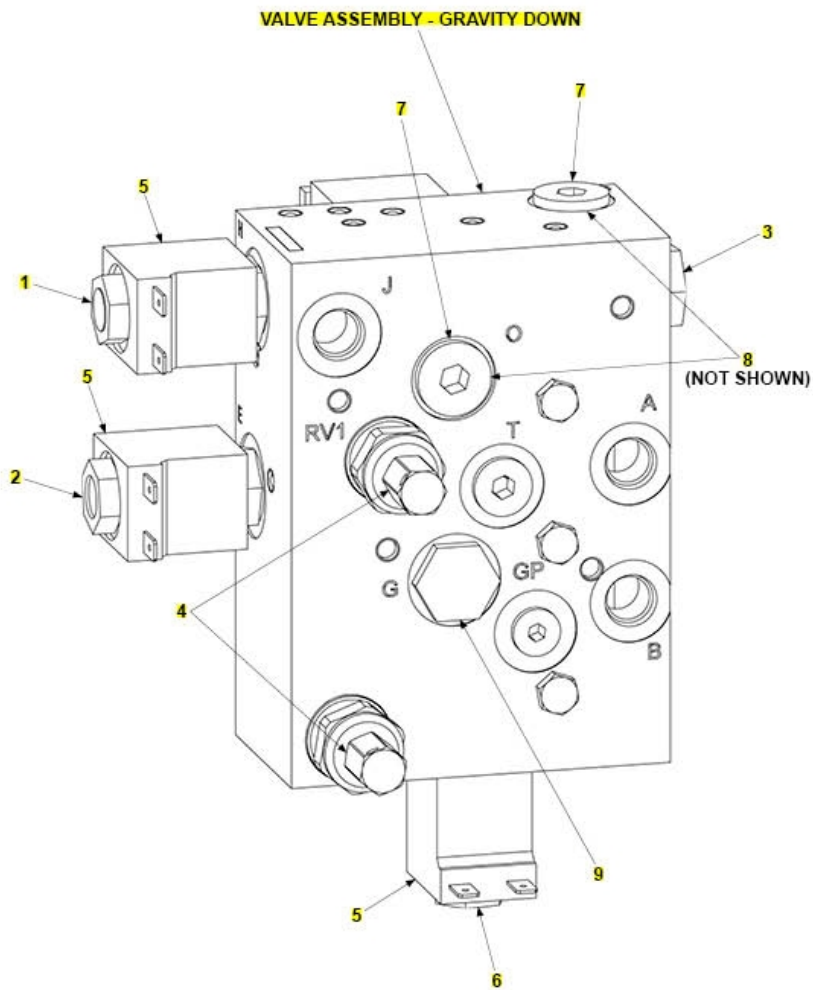
SPARE PARTS LIST

BMR 3300 4400 5500 6600

Valve Assembly - Gravity Down

**VALVE ASSEMBLY - GRAVITY DOWN
(BUCHER HYDRAULICS)**

MAR 2017 to present



SPARE PARTS LIST
BMR 3300 4400 5500 6600
Valve Assembly - Gravity Down

Pos	CPN	Qty	Description
1	290153	1	CARTRIDGE,4-W/2-P.#8, 1/2IN STEM
2	290126	1	CARTRIDGE ONLY, 3W/2P, GPS-LR
3	297542	1	VALVE ASSY,CHK,CART,SIZE8,SING PILT
4	290156	1	VALVE MAS VM01 HDM10 T.95-210 (SAME AS 269338)
5	290125	1	COIL,10VDC,#8,TWO 1/4 MALE TAB
6	269417	1	CARTRIDGE,2W/2P,NC,POPPET,4000
7	290162	1	PLUG, SAE O-RING, 3/4-16,HEX,SOC
8	269346	1	POPPET ASSY, PRSS CMP FL CNTRL
9	297539	1	VALVE,CK,CART,SIZE8,W/OSCREEN
REF	297538	1	VALVE ASSY,ELC,12VDC,4W,CRT

SPARE PARTS LIST

BMR 3300 4400 5500 6600

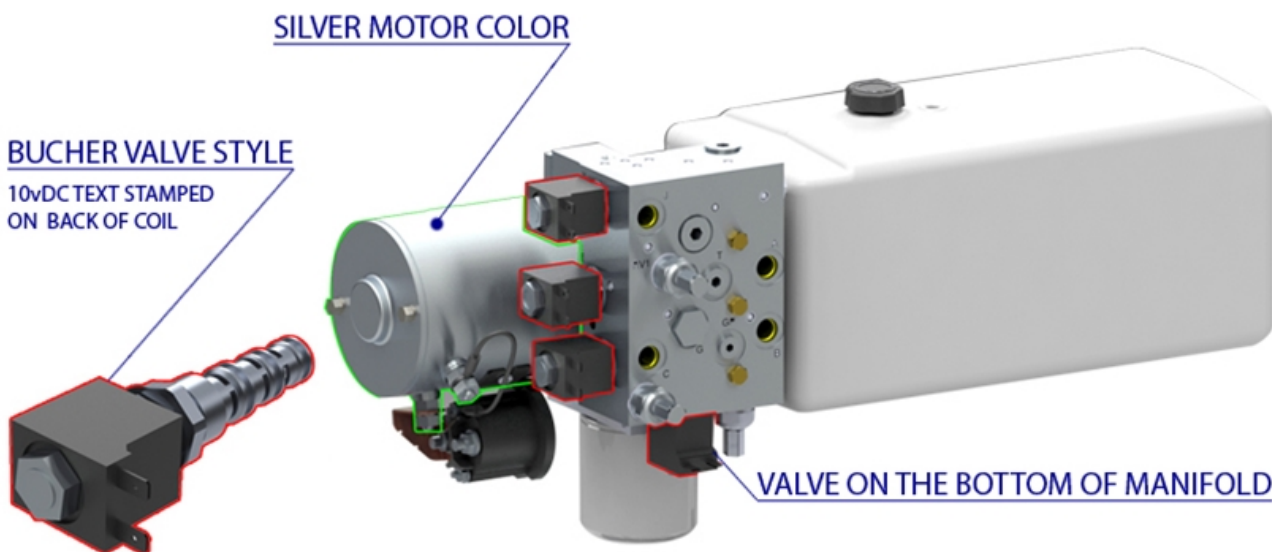
MTE or Bucher Power Unit GD

POWER UNIT, BUCHER

IDENTIFIER 1 - SILVER MOTOR COLOR

IDENTIFIER 2 - VALVE LOCATED ON THE BOTTOM OF THE MANIFOLD

IDENTIFIER 3 - 10VDC TEXT STAMPED ON BACK OF COIL

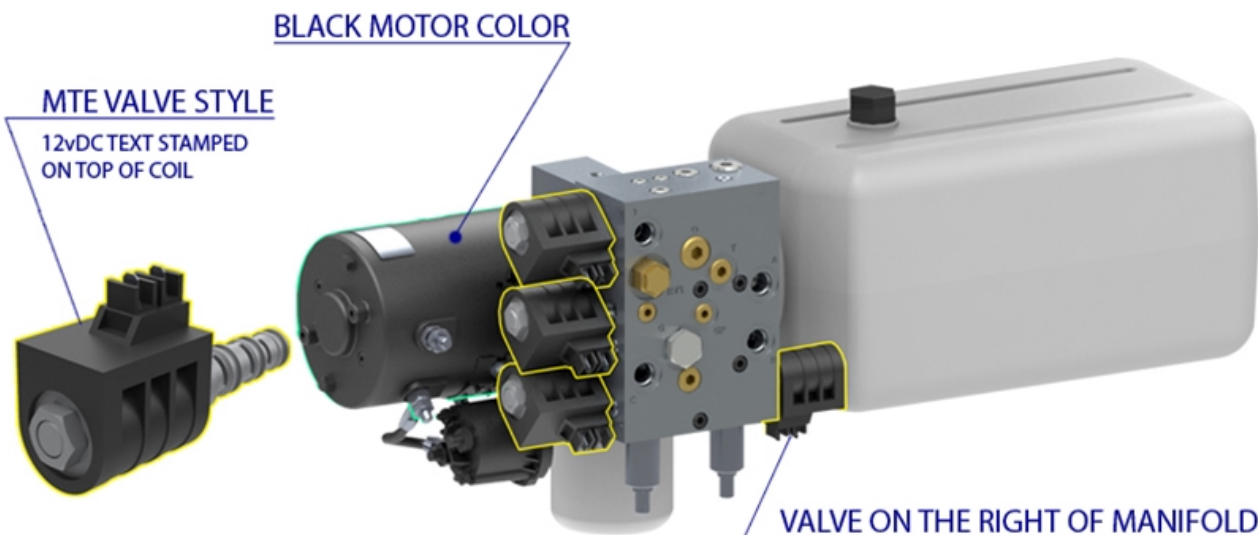


POWER UNIT, MTE

IDENTIFIER 1 - BLACK MOTOR COLOR

IDENTIFIER 2 - VALVE LOCATED ON THE RIGHT OF THE MANIFOLD

IDENTIFIER 3 - 12VDC TEXT STAMPED ON THE COIL SURFACE



17/12/2018

Spare Parts

SPARE PARTS LIST
BMR 3300 4400 5500 6600
MTE or Bucher Power Unit GD

Pos	CPN	Qty	Description
-----	-----	-----	-------------

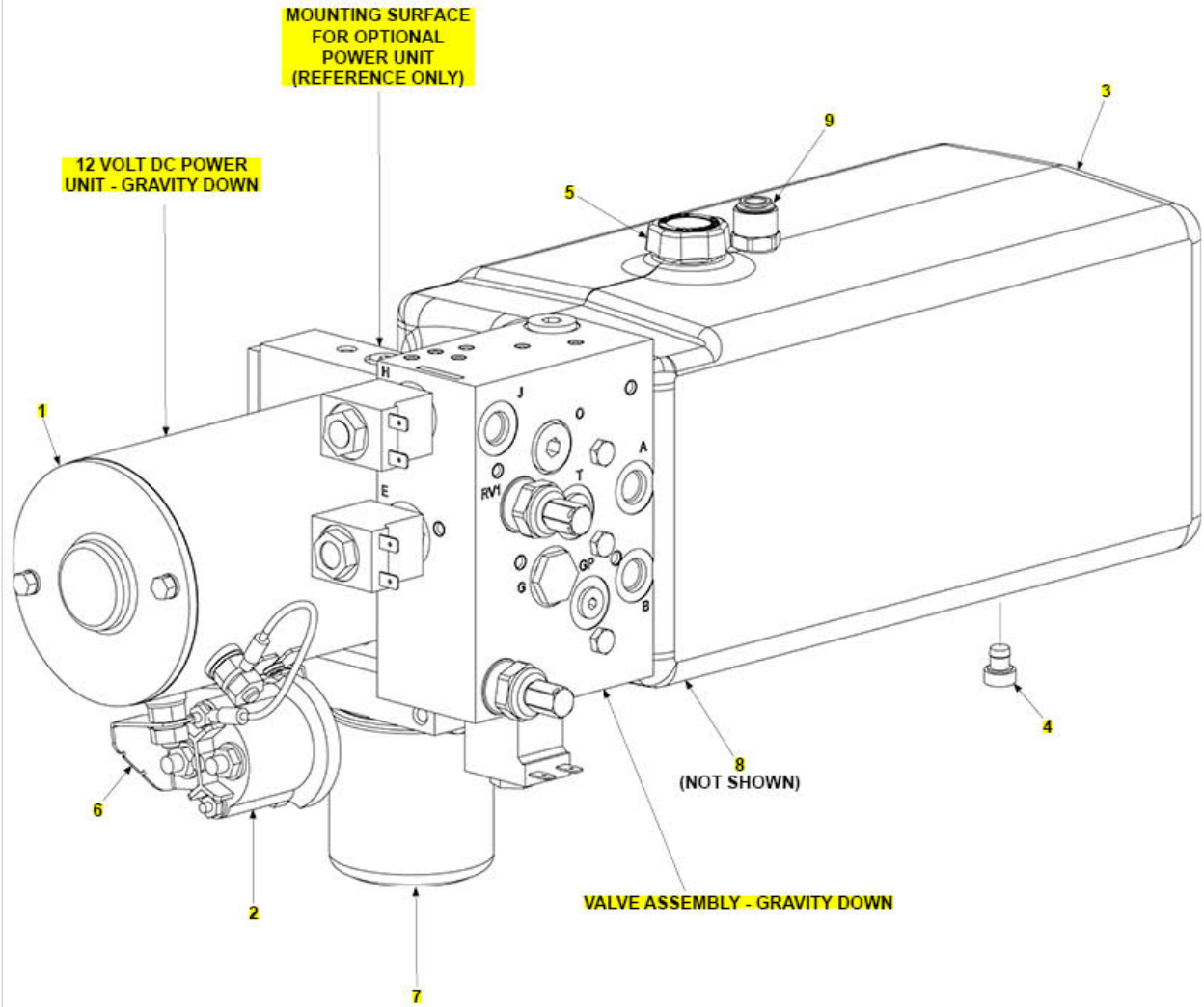
SPARE PARTS LIST

BMR 3300 4400 5500 6600

12 Volt DC Power Unit - Gravity Down

12 VOLT DC POWER UNIT - GRAVITY DOWN
(BUCHER HYDRAULICS)

MAR 2017 to present



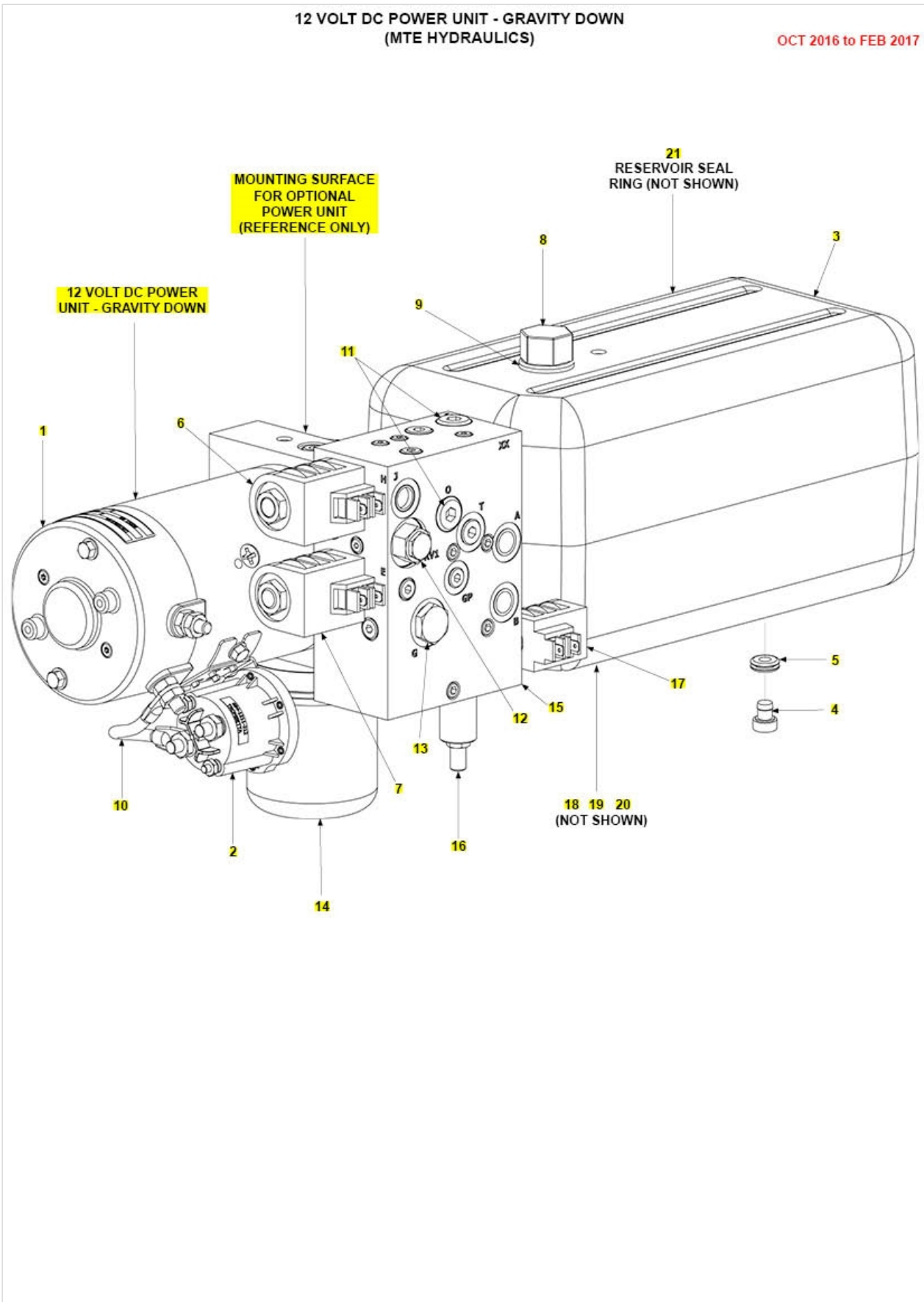
SPARE PARTS LIST
BMR 3300 4400 5500 6600
 12 Volt DC Power Unit - Gravity Down

Pos	CPN	Qty	Description
1	297552	1	MOTOR,DC,12V,4.5in,2 TERM,LONG
2	269339	1	SWITCH,SOL ACT MTR ST, 12 VDC
3	297544	1	RESV,PLASTIC,6.7X6.7X16.00,H/MT
4	287282	1	PLUG.SAE O-RING, 9/49-18, HEX, SO
5	287281	1	PLUG,RESEV,BREATHER-FILLER
6	286599	1	STRAP, MOTOR-COLENOID CONNECTING
7	297573	1	FILTER,ELEMNT SPIN-ON,MINI,25 MICRON
8	297578	1	PUMP,AP100/2.5,EXT TANG,NO CVRS
9	297551	1	FITTING,CONNECTOR,3/8TUBEX1 /8NPTMALE
REF	297530-12	1	12 VDC POWER UNIT 203.1, BMR GD

SPARE PARTS LIST

BMR 3300 4400 5500 6600

12 Volt DC Power Unit - Gravity Down (Oct 2016 - Feb 2017)



SPARE PARTS LIST**BMR 3300 4400 5500 6600**

12 Volt DC Power Unit - Gravity Down (Oct 2016 - Feb 2017)

Pos	CPN	Qty	Description
1	269582-01	1	MOTOR,12 VDC,HEAVY DUTY,2 TERM
2	284080-01	1	SWITCH, SOLENOID ASSY
3	296026-01	1	TANK 2.0 GALLON 16" LONG W/FOOT BRACKET
4	908017-01	1	PLUG, DRAIN PORT
5	908018-01	1	GROMMET RUBBER, .31 ID
6	290046	1	VALVE ASSY4WAYDOUBLE SPADE
7	290019	1	VALVE,2 POS-3WAY W/COIL
8	280806-01	1	FILLER, BREATHER
9	908016-01	1	GROMMET, RUBBER, .60 ID
10	280404	1	CABLE ASSY
11	906929-01	1	FLOW CONTROL VALVE, 1.50 GPM, P-C
12	906930-01	1	RELIEF VALVE "RV1" SET @ 2400 PSI
13	290033	1	VALVE, CHECK VERTICAL PUMP
14	262412	1	FILTER, SPIN ON HYDRAULIC
15	296027-01	1	MANIFOLD ASSEMBLY, MAXON, SEVERE DUTY
16	905195	1	RELIEF VALVE DIFF,2000-3500PSI
17	290043	1	VALVE ASSY 2 WAY DOUBLE SPADE
18	296021-01	1	PUMP, 203.1, PRESSURE LOADED
19	260261	1	OIL SEAL, PUMP (NOT SHOWN)
20	290020	1	O-RING, PUMP (NOT SHOWN)
21	290061	1	SEAL SQUARE CUT PL RESERVOIR
REF	296030-12	1	12 VDC POWER UNIT 203.1, BMRB GD

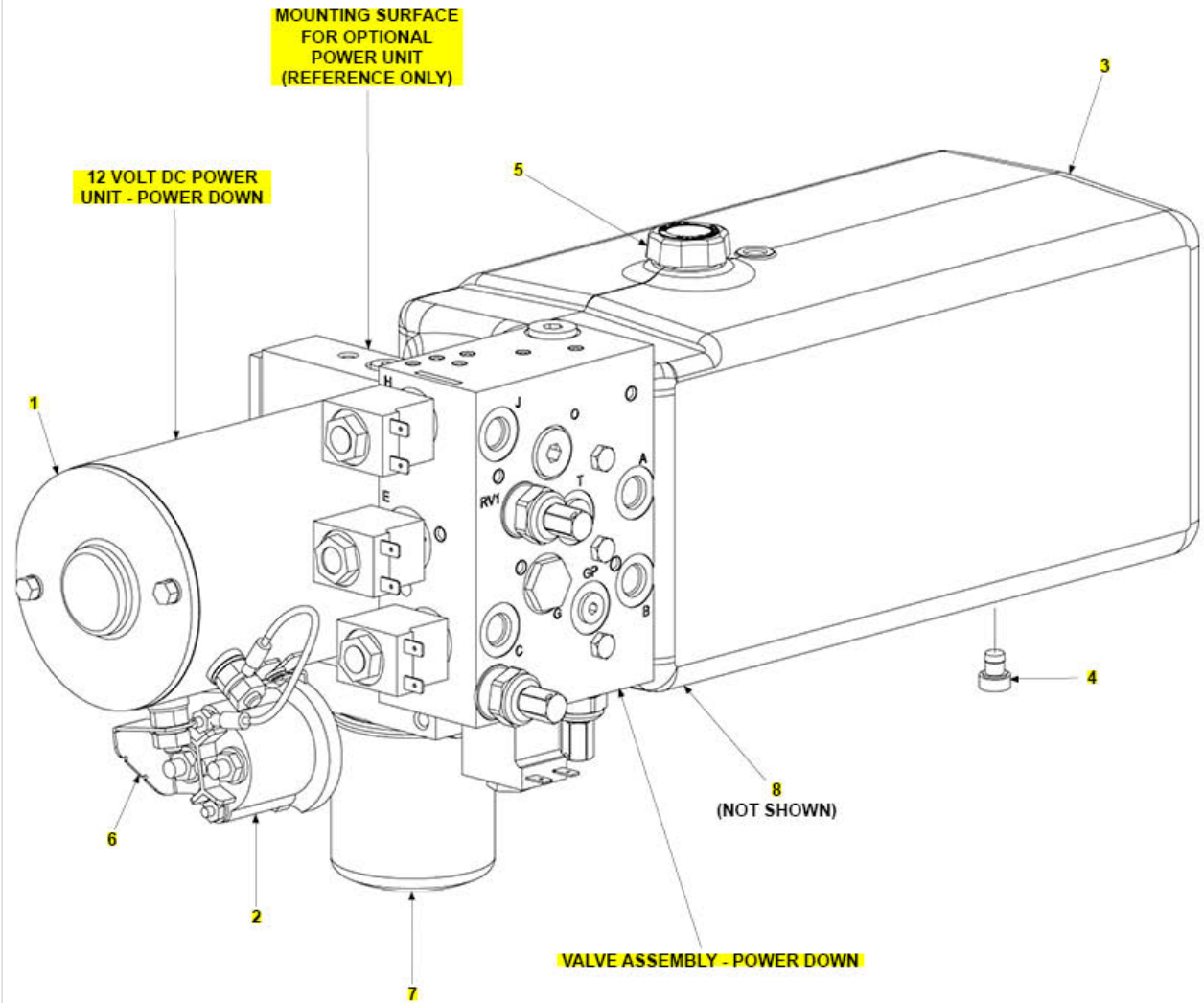
SPARE PARTS LIST

BMR 3300 4400 5500 6600

12 Volt DC Power Unit - Power Down

**12 VOLT DC POWER UNIT - POWER DOWN
(BUCHER HYDRAULICS)**

MAR 2017 to present



SPARE PARTS LIST**BMR 3300 4400 5500 6600**

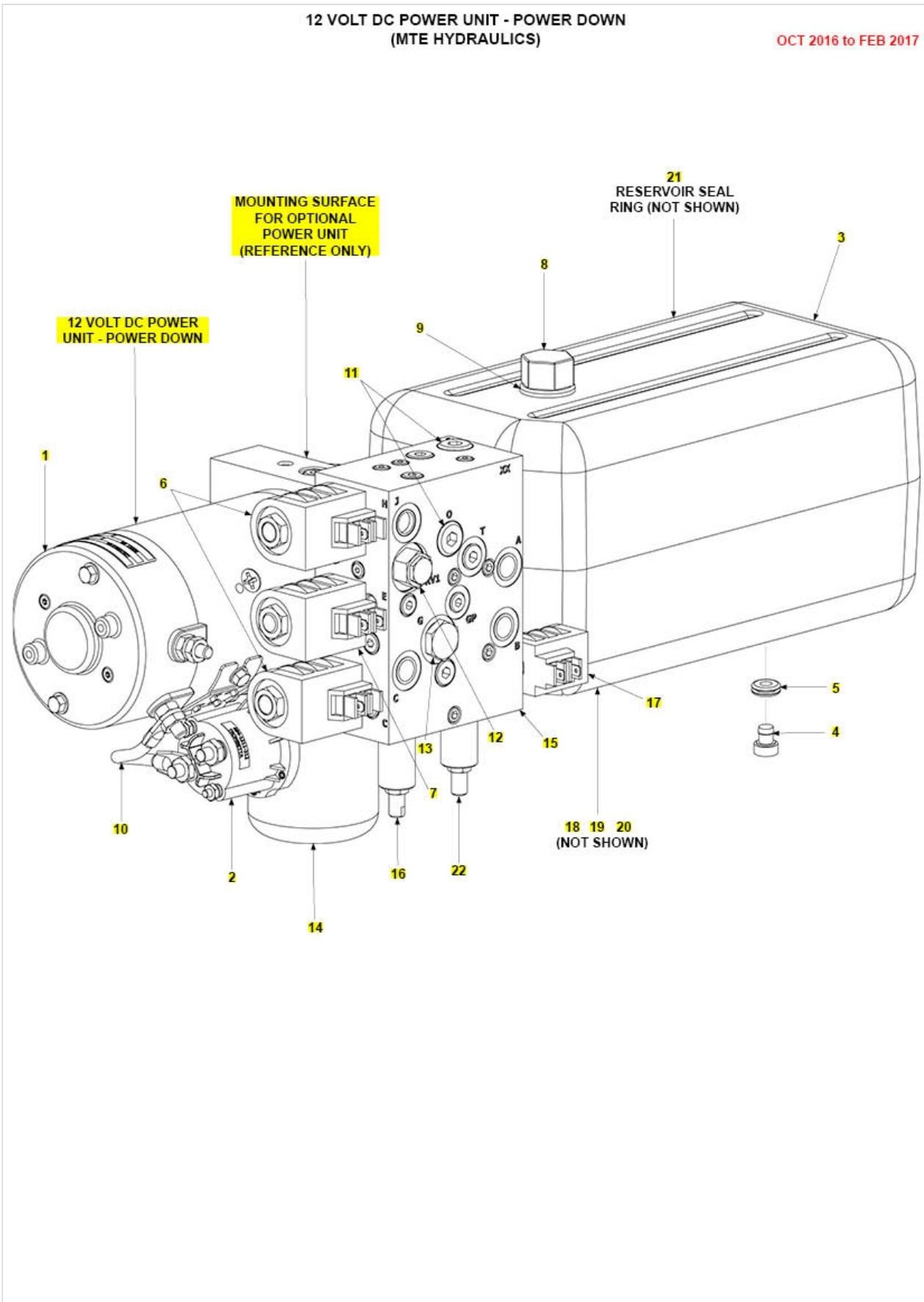
12 Volt DC Power Unit - Power Down

Pos	CPN	Qty	Description
1	297552	1	MOTOR,DC,12V,4.5in,2 TERM,LONG
2	269339	1	SWITCH,SOL ACT MTR ST, 12 VDC
3	297586	1	RESV,PLASTIC,6.7X6.7X16.00,H/MT
4	287282	1	PLUG.SAE O-RING, 9/49-18, HEX, SO
5	287281	1	PLUG,RESEV,BREATHER-FILLER
6	286599	1	STRAP, MOTOR-COLENOID CONNECTING
7	297573	1	FILTER,ELEMNT SPIN-ON,MINI,25 MICRON
8	297578	1	PUMP,AP100/2.5,EXT TANG,NO CVRS
REF	297540-12	1	12 VDC POWER UNIT 203.1 BMR PD

SPARE PARTS LIST

BMR 3300 4400 5500 6600

12 Volt DC Power Unit - Power Down (Oct 2016 - Feb 2017)



SPARE PARTS LIST**BMR 3300 4400 5500 6600**

12 Volt DC Power Unit - Power Down (Oct 2016 - Feb 2017)

Pos	CPN	Qty	Description
1	269582-01	1	MOTOR,12 VDC,HEAVY DUTY,2 TERM
2	284080-01	1	SWITCH, SOLENOID ASSY
3	296022-01	1	TANK 2.0 GALLON 16" LONG W/FOOT BRACKET
4	908017-01	1	PLUG, DRAIN PORT
5	908018-01	1	GROMMET RUBBER, .31 ID
6	290046	1	VALVE ASSY4WAYDOUBLE SPADE
7	290019	1	VALVE,2 POS-3WAY W/COIL
8	280806-01	1	FILLER, BREATHER
9	908016-01	1	GROMMET, RUBBER, .60 ID
10	280404	1	CABLE ASSY
11	906929-01	1	FLOW CONTROL VALVE, 1.50 GPM, P-C
12	906930-01	1	RELIEF VALVE "RV1" SET @ 2400 PSI
13	290033	1	VALVE, CHECK VERTICAL PUMP
14	262412	1	FILTER, SPIN ON HYDRAULIC
15	296023-01	1	MANIFOLD ASSEMBLY, MAXON, SEVERE DUTY
16	290035	1	VALVE, RELIEF 2400 PSI
17	290043	1	VALVE ASSY 2 WAY DOUBLE SPADE
18	296021-01	1	PUMP, 203.1, PRESSURE LOADED
19	260261	1	OIL SEAL, PUMP (NOT SHOWN)
20	290020	1	O-RING, PUMP (NOT SHOWN)
21	290061	1	SEAL SQUARE CUT PL RESERVOIR
22	905195	1	RELIEF VALVE DIFF,2000-3500PSI
REF	296020-12	1	12 VDC POWER UNIT 203.1 BMRB PD

SPARE PARTS LIST**BMR 3300 4400 5500 6600**

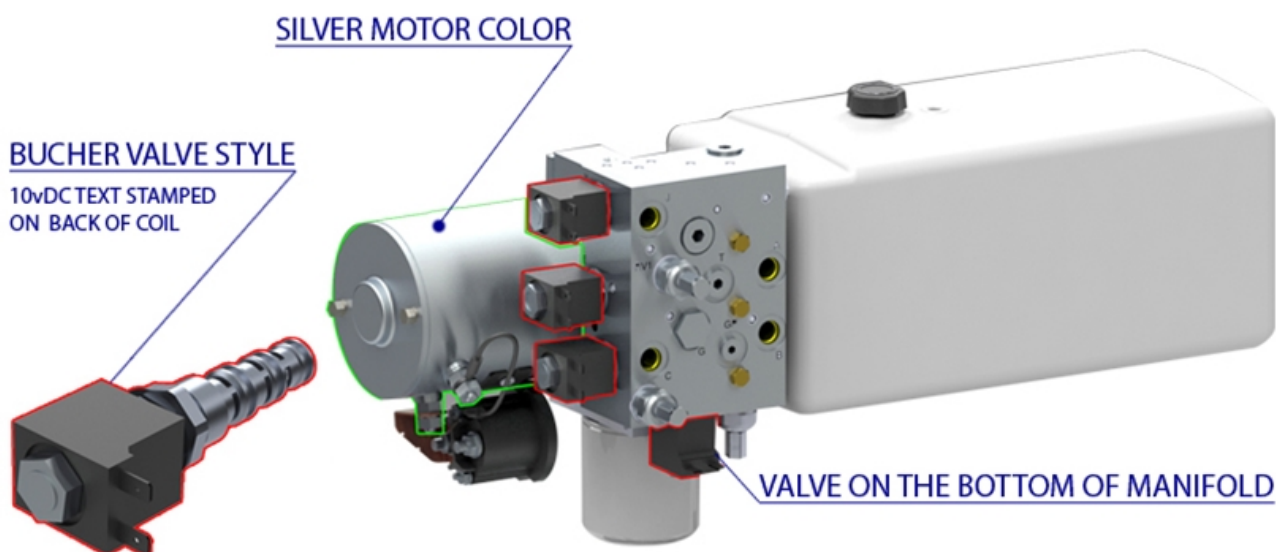
MTE or Bucher Power Unit PD

POWER UNIT, BUCHER

IDENTIFIER 1 - SILVER MOTOR COLOR

IDENTIFIER 2 - VALVE LOCATED ON THE BOTTOM OF THE MANIFOLD

IDENTIFIER 3 - 10VDC TEXT STAMPED ON BACK OF COIL

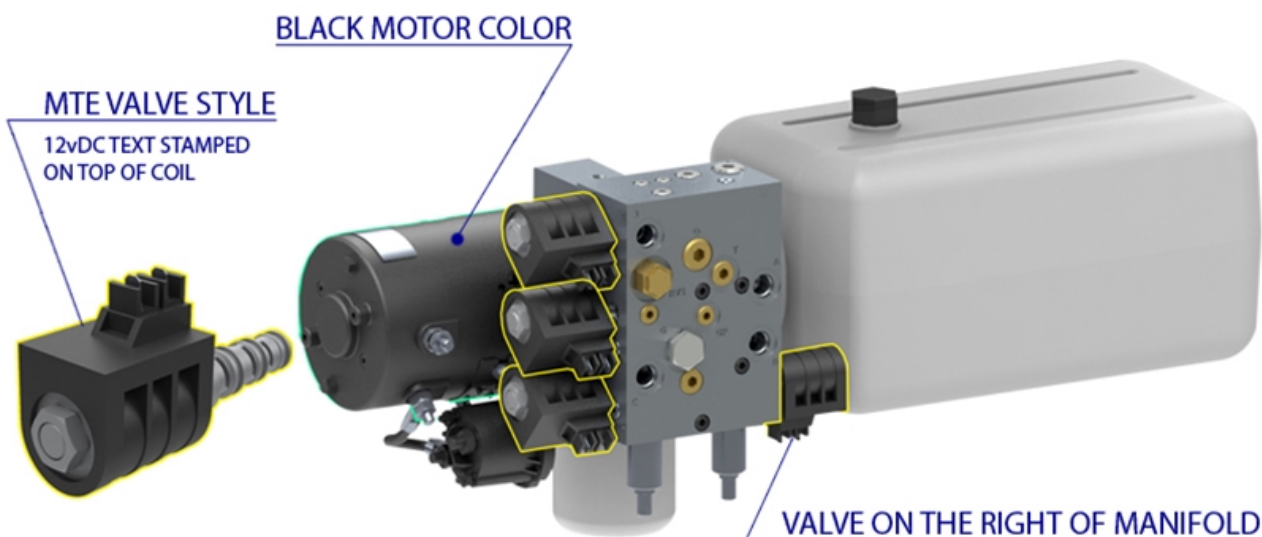


POWER UNIT, MTE

IDENTIFIER 1 - BLACK MOTOR COLOR

IDENTIFIER 2 - VALVE LOCATED ON THE RIGHT OF THE MANIFOLD

IDENTIFIER 3 - 12VDC TEXT STAMPED ON THE COIL SURFACE



17/12/2018

Spare Parts

SPARE PARTS LIST
BMR 3300 4400 5500 6600
MTE or Bucher Power Unit PD

Pos	CPN	Qty	Description
------------	------------	------------	--------------------

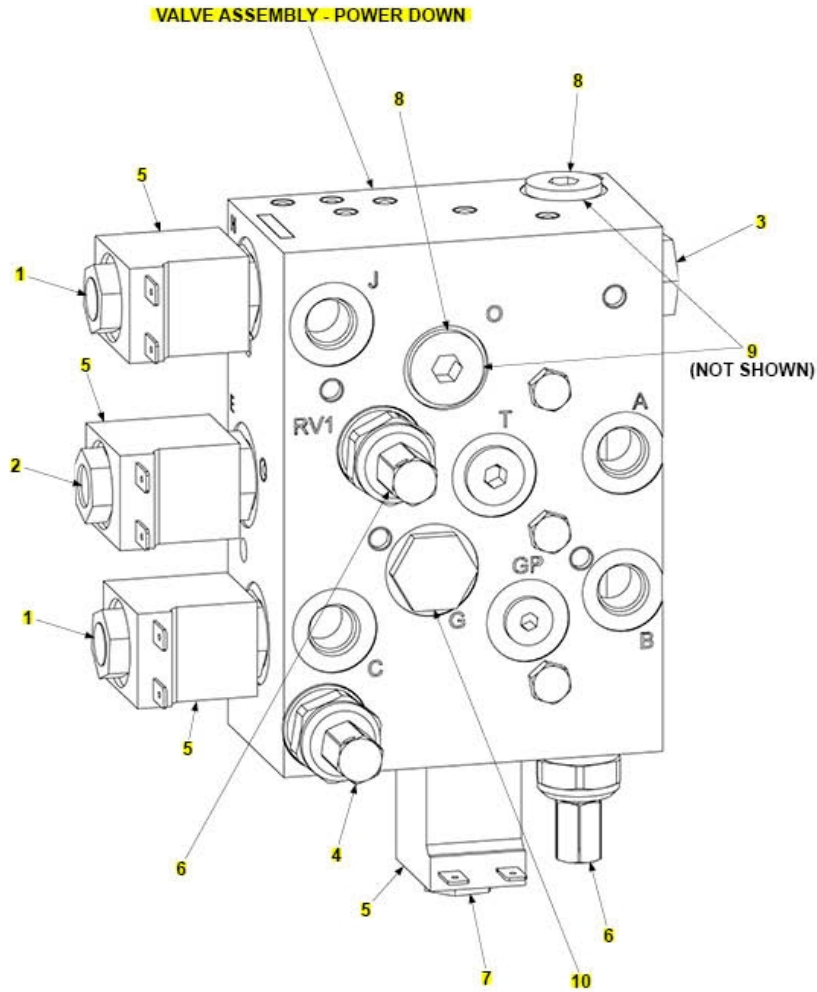
SPARE PARTS LIST

BMR 3300 4400 5500 6600

Valve Assembly - Power Down

**VALVE ASSEMBLY - POWER DOWN
(BUCHER HYDRAULICS)**

MAR 2017 to present



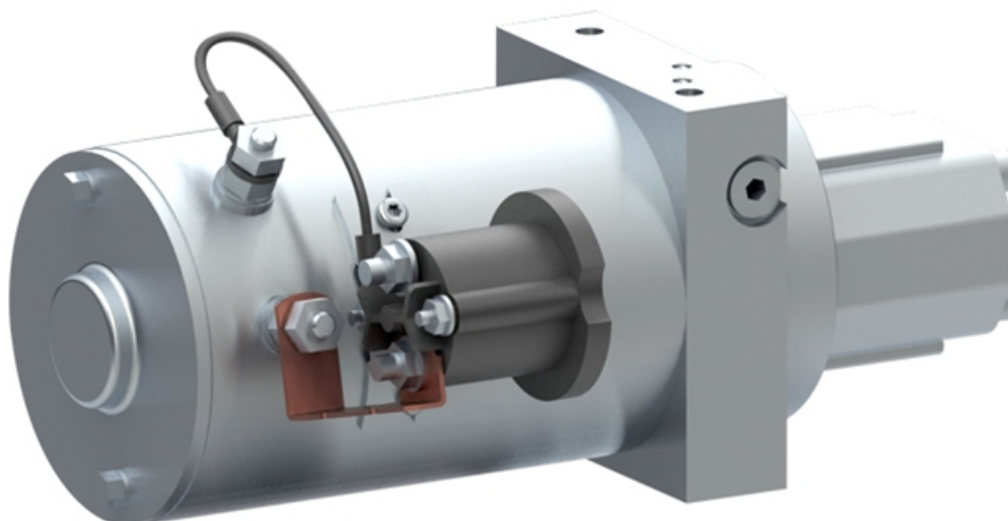
SPARE PARTS LIST
BMR 3300 4400 5500 6600
Valve Assembly - Power Down

Pos	CPN	Qty	Description
1	290153	1	CARTRIDGE,4-W/2-P.#8, 1/2IN STEM
2	290126	1	CARTRIDGE ONLY, 3W/2P, GPS-LR
3	297542	1	VALVE ASSY,CHK,CART,SIZE8,SING PILT
4	298032	1	VALV MAX VM01 HDM10 T.0-30
5	290125	1	COIL,10VDC,#8,TWO 1/4 MALE TAB
6	269338	1	VALVE,RELIEF,VM01,GREEN SPRING
7	269417	1	CARTRIDGE,2W/2P,NC,POPPET,4000
8	290162	1	PLUG, SAE O-RING, 3/4-16,HEX,SOC
9	298031	1	POPPET ASSY, P CMP FL, GPM 1.5
10	297539	1	VALVE,CK,CART,SIZE8,W/OSCREEN
REF	297574	1	VALVE ASSY,ELC,12VDC,4W/4W,CRT

SPARE PARTS LIST
BMR 3300 4400 5500 6600
MTE or Bucher Motor

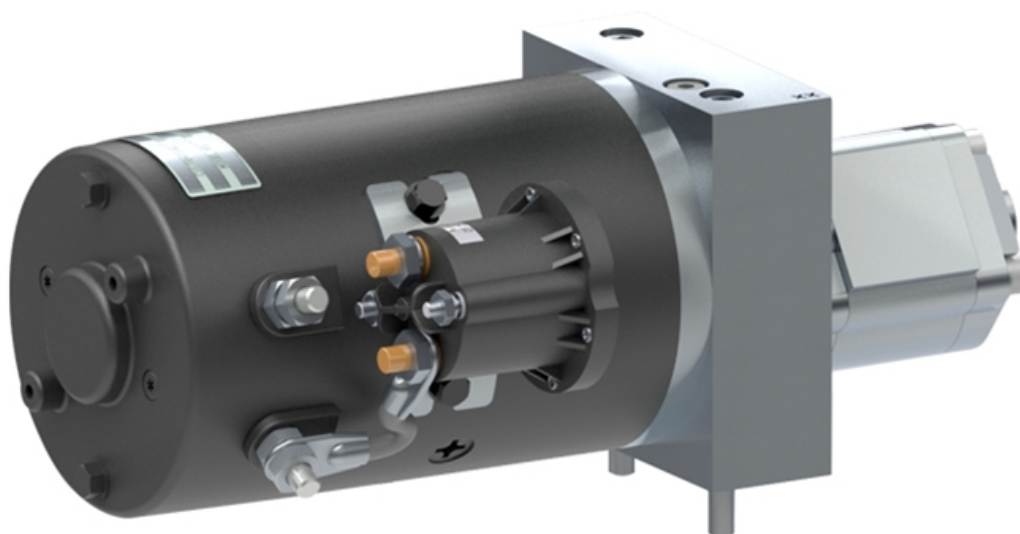
MOTOR, BUCHER

SILVER MOTOR COLOR



MOTOR, MTE

BLACK MOTOR COLOR



17/12/2018

Spare Parts

SPARE PARTS LIST
BMR 3300 4400 5500 6600
MTE or Bucher Motor

Pos	CPN	Qty	Description
------------	------------	------------	--------------------

SPARE PARTS LIST

BMR 3300 4400 5500 6600

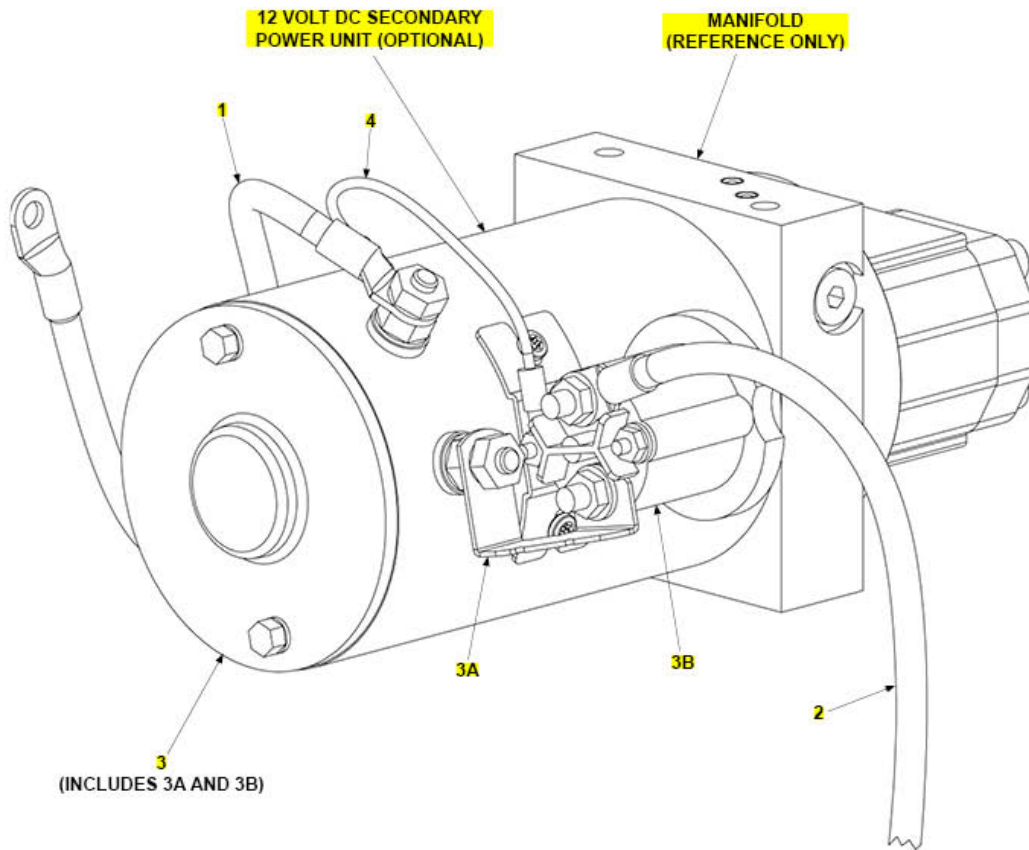
12 Volt DC Secondary Power Unit (Optional)

**12 VOLT DC SECONDARY POWER UNIT (OPTIONAL)
(BUCHER HYDRAULICS)**

MAR 2017 to present

NOTE: Secondary power unit is the same for gravity down or power down pumps.

NOTE: Two 5/16" hex socket head screws fasten the secondary power unit to the pump assembly. Torque the 2 screws to 18 lb-ft +/- 2 lb-ft.



SPARE PARTS LIST**BMR 3300 4400 5500 6600**

12 Volt DC Secondary Power Unit (Optional)

Pos	CPN	Qty	Description
1	268226-01	1	CABLE ASSY,2GA, .31/.38RING, 10"
2	287676-02	1	CABLE ASSY 2GA,R .31/.38, 35.0LG
3	297525-12	1	12V POWER UNIT
3A	286599	1	STRAP, MOTOR-COLENOID CONNECTING
3B	269339	1	SWITCH,SOL ACT MTR ST, 12 VDC
4	297833	1	WIRE ASSY, CNTRL, 16AWG, HS, RING (500218807551050)
REF	296445-12	1	2ND PUMP ASSY. KIT 12V

SPARE PARTS LIST**BMR 3300 4400 5500 6600**

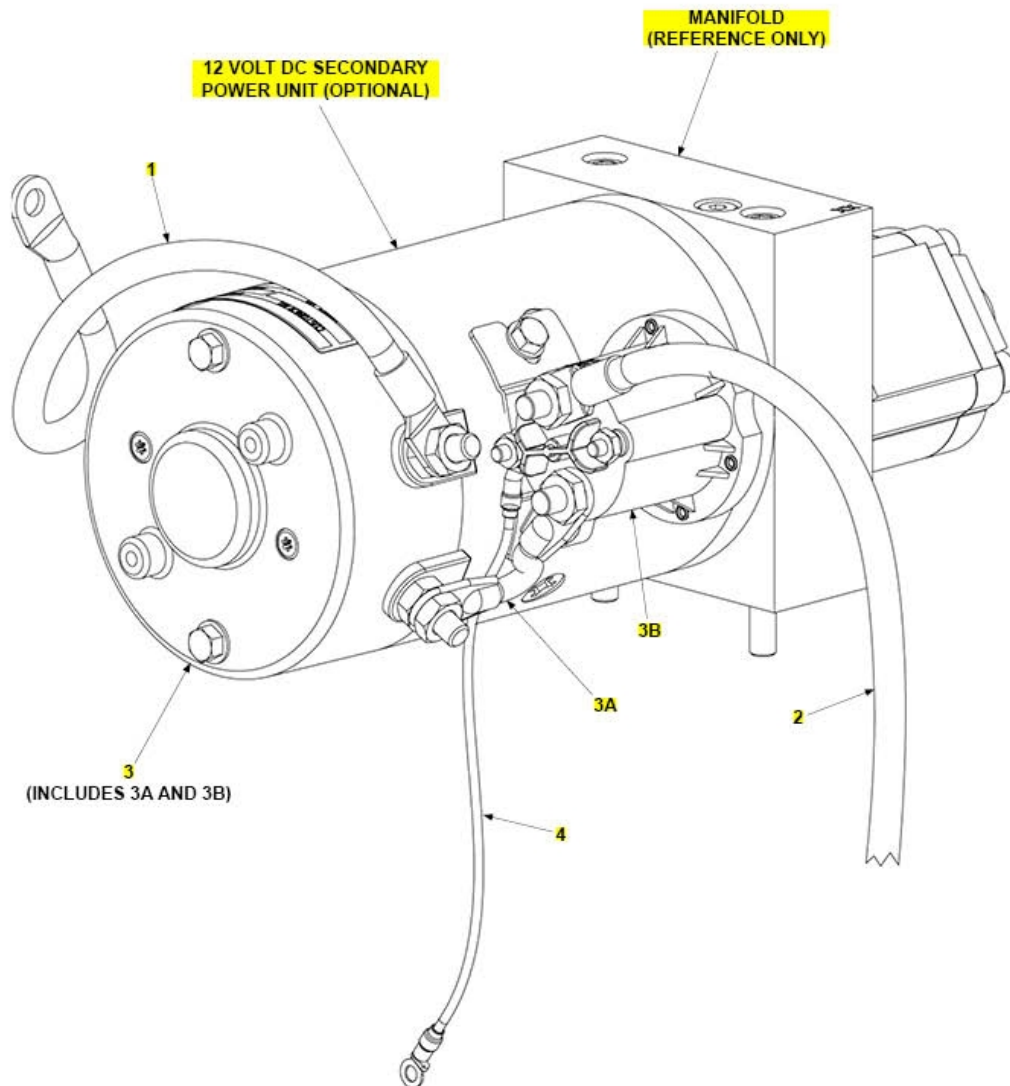
12 Volt DC Secondary Power Unit (Optional) (Oct 2016 - Feb 2017)

**12 VOLT DC SECONDARY POWER UNIT (OPTIONAL)
(MTE HYDRAULICS)**

OCT 2016 to FEB 2017

NOTE: Secondary power unit is the same for gravity down or power down pumps.

NOTE: Two 5/16" hex socket head screws fasten the secondary power unit to the pump assembly. Torque the 2 screws to 18 lb-ft +/- 2 lb-ft.

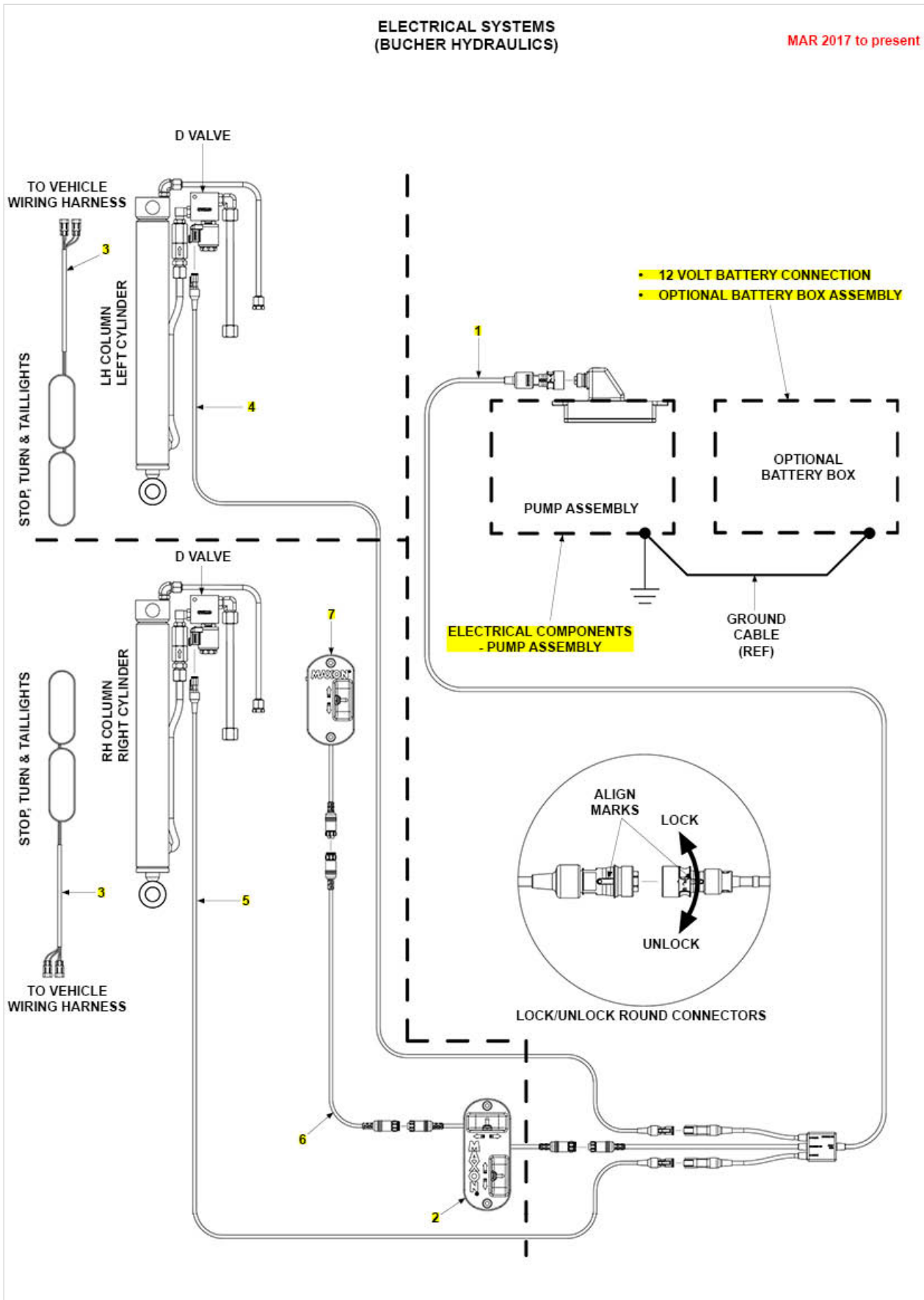


SPARE PARTS LIST**BMR 3300 4400 5500 6600**

12 Volt DC Secondary Power Unit (Optional) (Oct 2016 - Feb 2017)

Pos	CPN	Qty	Description
1	268226-01	1	CABLE ASSY,2GA, .31/.38RING, 10"
2	287676-02	1	CABLE ASSY 2GA,R .31/.38, 35.0LG
3	296015-12	1	12 VDC P/UNIT 203.1, NO BLOCK
3A	280404	1	CABLE ASSY
3B	284080-01	1	SWITCH, SOLENOID ASSY
4	296443-01	1	GROUND WIRE ASSY
REF	296445-12	1	2ND PUMP ASSY. KIT 12V

SPARE PARTS LIST
BMR 3300 4400 5500 6600
Electrical Systems



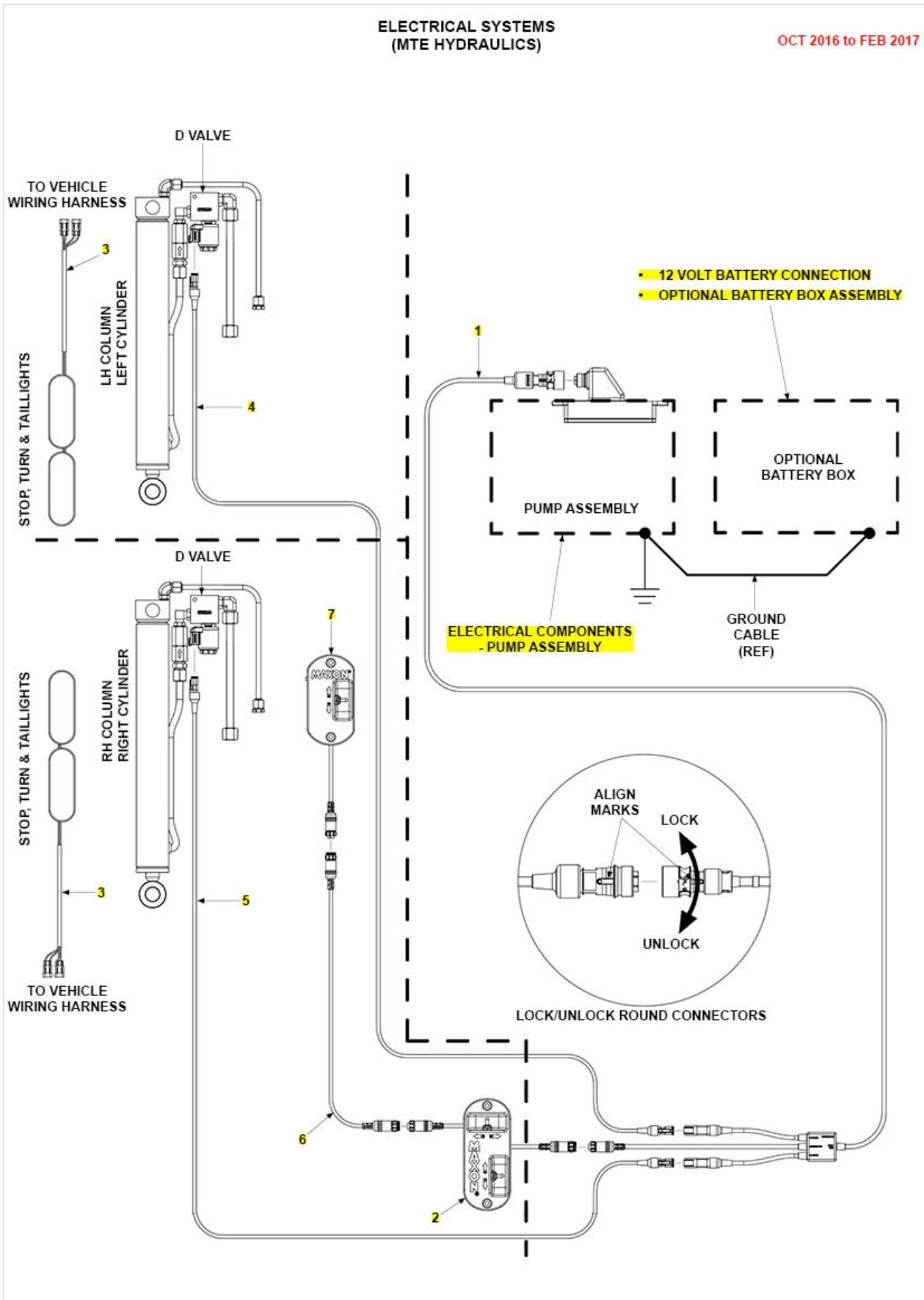
SPARE PARTS LIST
BMR 3300 4400 5500 6600
 Electrical Systems

Pos	CPN	Qty	Description
2	296150-01	1	MAIN TOGGLE SWITCH ASSY, GD
2	296150-02	1	MAIN TOGGLE SWITCH ASSY, PD
3	295916-01	1	ST&T, HARN, LED TO INC,BMRB
4	286268-02	1	CABLE, MOLDED, 240" LG.
5	286268-03	1	CABLE MOLDED,166" LG
6	296649-01	1	FLEX CABLE M/M CON. HARNESS
7	296160-01	1	RUNNER TOGGLE SWITCH ASSY,GD
7	296160-02	1	RUNNER TOGGLE SWITCH ASSY,PD
1	296900-01	1	INTERCONNECT HARNESS 6'L
1	296900-02	1	INTERCONNECT HARNESS 15'L
1	296900-03	1	INTERCONNECT HARNESS 23'L
1	296900-05	1	INTERCONNECT HARNESS 31'L
1	296900-06	1	INTERCONNECT HARNESS 39'L

SPARE PARTS LIST

BMR 3300 4400 5500 6600

Electrical Systems (Oct 2016 - Feb 2017)



SPARE PARTS LIST**BMR 3300 4400 5500 6600**

Electrical Systems (Oct 2016 - Feb 2017)

Pos	CPN	Qty	Description
2	296150-01	1	MAIN TOGGLE SWITCH ASSY, GD
2	296150-02	1	MAIN TOGGLE SWITCH ASSY, PD
3	295916-01	1	ST&T, HARN, LED TO INC,BMRB
4	286268-02	1	CABLE, MOLDED, 240" LG.
5	286268-03	1	CABLE MOLDED,166" LG
6	296649-01	1	FLEX CABLE M/M CON. HARNESS
7	296160-01	1	RUNNER TOGGLE SWITCH ASSY,GD
7	296160-02	1	RUNNER TOGGLE SWITCH ASSY,PD
1	296900-01	1	INTERCONNECT HARNESS 6'L
1	296900-02	1	INTERCONNECT HARNESS 15'L
1	296900-03	1	INTERCONNECT HARNESS 23'L
1	296900-05	1	INTERCONNECT HARNESS 31'L
1	296900-06	1	INTERCONNECT HARNESS 39'L

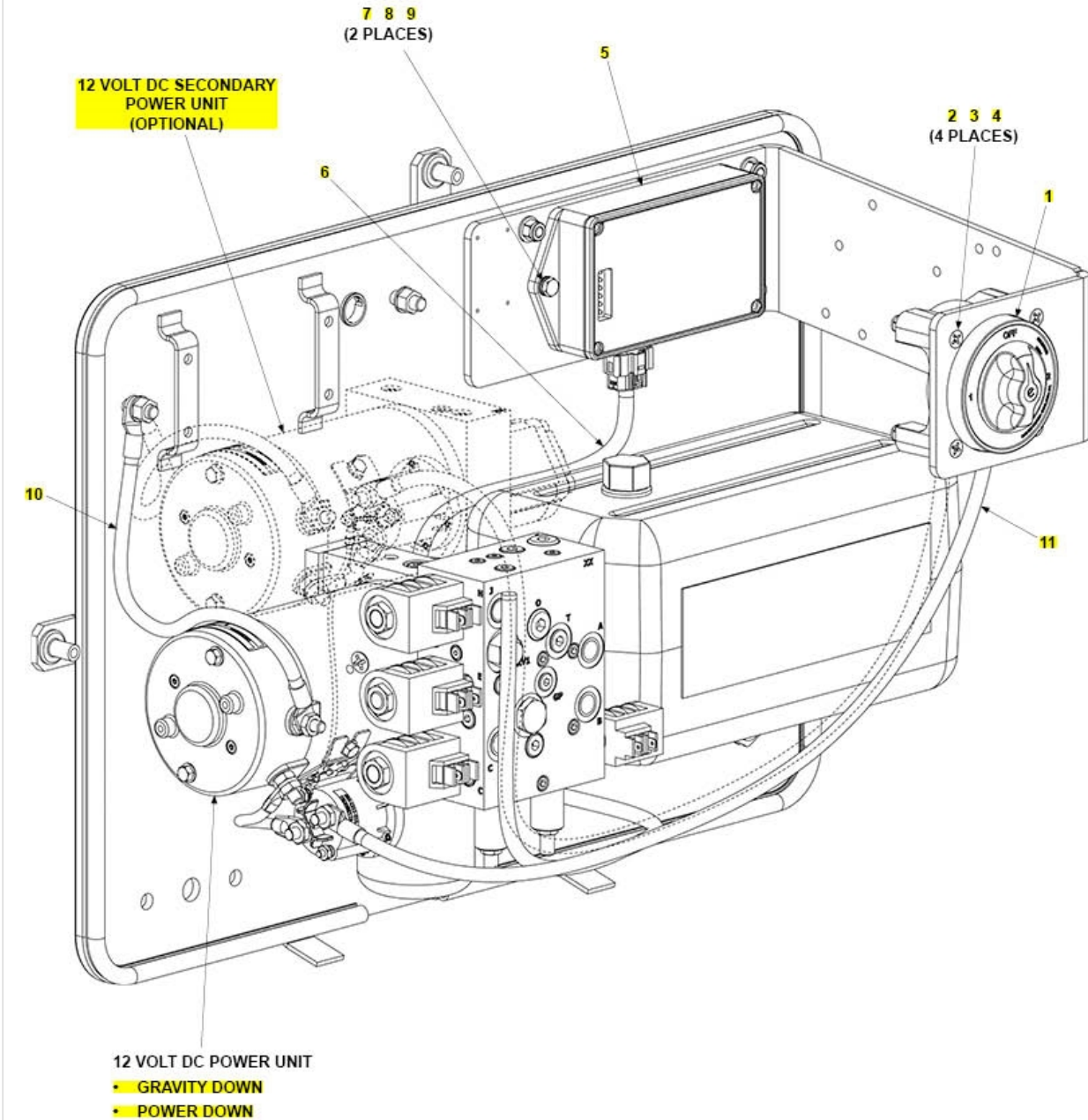
SPARE PARTS LIST

BMR 3300 4400 5500 6600

Electrical Components - Pump Assembly

ELECTRICAL COMPONENTS - PUMP ASSEMBLY

OCT 2016 to present



SPARE PARTS LIST
BMR 3300 4400 5500 6600
 Electrical Components - Pump Assembly

Pos	CPN	Qty	Description
1	906608-01	1	CHARGING SYSTEM SWITCH 1&2 POS
2	900715-15	1	SCREW, FL PH .25-20X2.25 ZP
3	901000	1	NUT, NYLON 1/4-20 ZINC
4	903443-06	1	WASHER, SAE FLAT.25, ZC
5	296140-01	1	BMR PMP CONTROLLER
6	296147-01	1	BMR PUMP VALVE HARNESS
7	900004-4	1	SCREW, CAP .25-20X.63 GR8 ZC
8	902011-2	1	WASHER. LOCK .25 .062 THK
9	902000-2	1	WASHER, FLAT 1/4X1/32
10	268226-12	1	CABLE ASSY,2GA,.31/.38RING, 12"
11	287676-01	1	CABLE ASSY,2GA,R .31RINGS 28.0

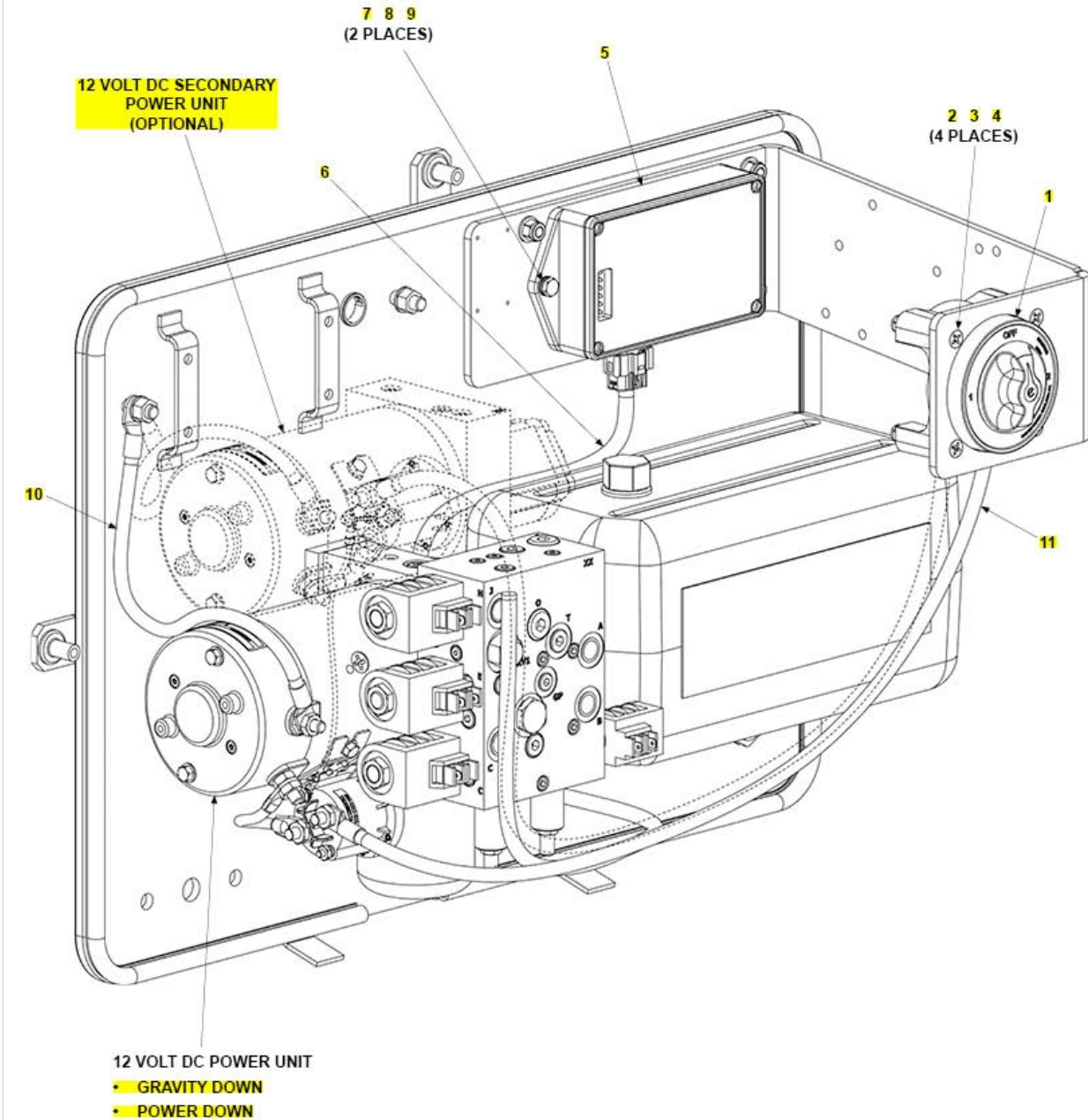
SPARE PARTS LIST

BMR 3300 4400 5500 6600

Electrical Components - Pump Assembly (Oct 2016 - Feb 2017)

**ELECTRICAL COMPONENTS - PUMP ASSEMBLY
(MTE HYDRAULICS)**

OCT 2016 to FEB 2017



SPARE PARTS LIST**BMR 3300 4400 5500 6600**

Electrical Components - Pump Assembly (Oct 2016 - Feb 2017)

Pos	CPN	Qty	Description
2	900715-15	1	SCREW, FL PH .25-20X2.25 ZP
3	901000	1	NUT, NYLON 1/4-20 ZINC
4	903443-06	1	WASHER, SAE FLAT.25, ZC
5	296140-01	1	BMR PMP CONTROLLER
6	296147-01	1	BMR PUMP VALVE HARNESS
7	900004-4	1	SCREW, CAP .25-20X.63 GR8 ZC
8	902011-2	1	WASHER. LOCK .25 .062 THK
9	902000-2	1	WASHER, FLAT 1/4X1/32
10	268226-12	1	CABLE ASSY,2GA,,.31/.38RING, 12"
11	287676-01	1	CABLE ASSY,2GA,R .31RINGS 28.0
1	906608-01	1	CHARGING SYSTEM SWITCH 1&2 POS

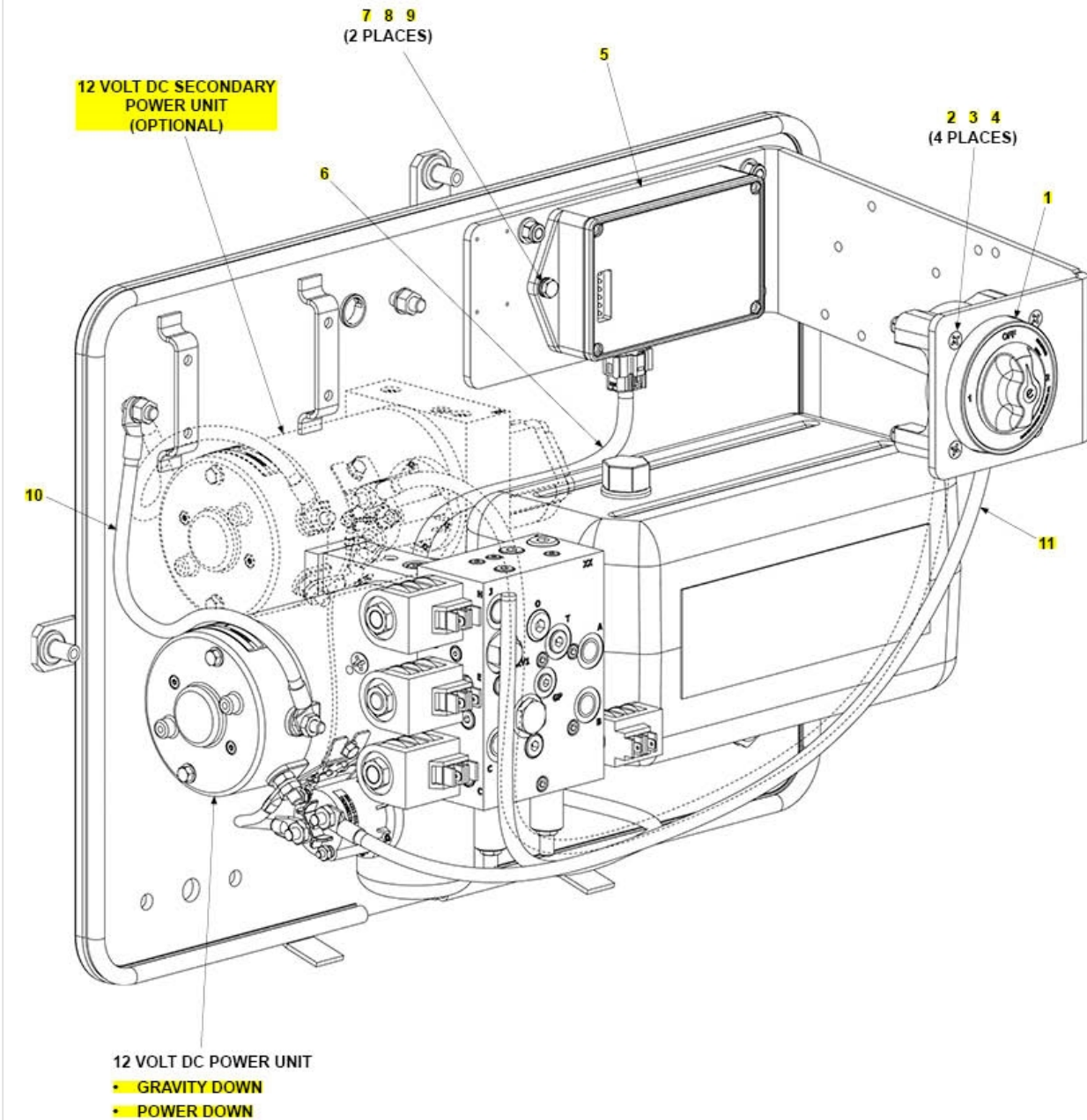
SPARE PARTS LIST

BMR 3300 4400 5500 6600

Electrical Components - Pump Assembly

ELECTRICAL COMPONENTS - PUMP ASSEMBLY

OCT 2016 to present



SPARE PARTS LIST
BMR 3300 4400 5500 6600
 Electrical Components - Pump Assembly

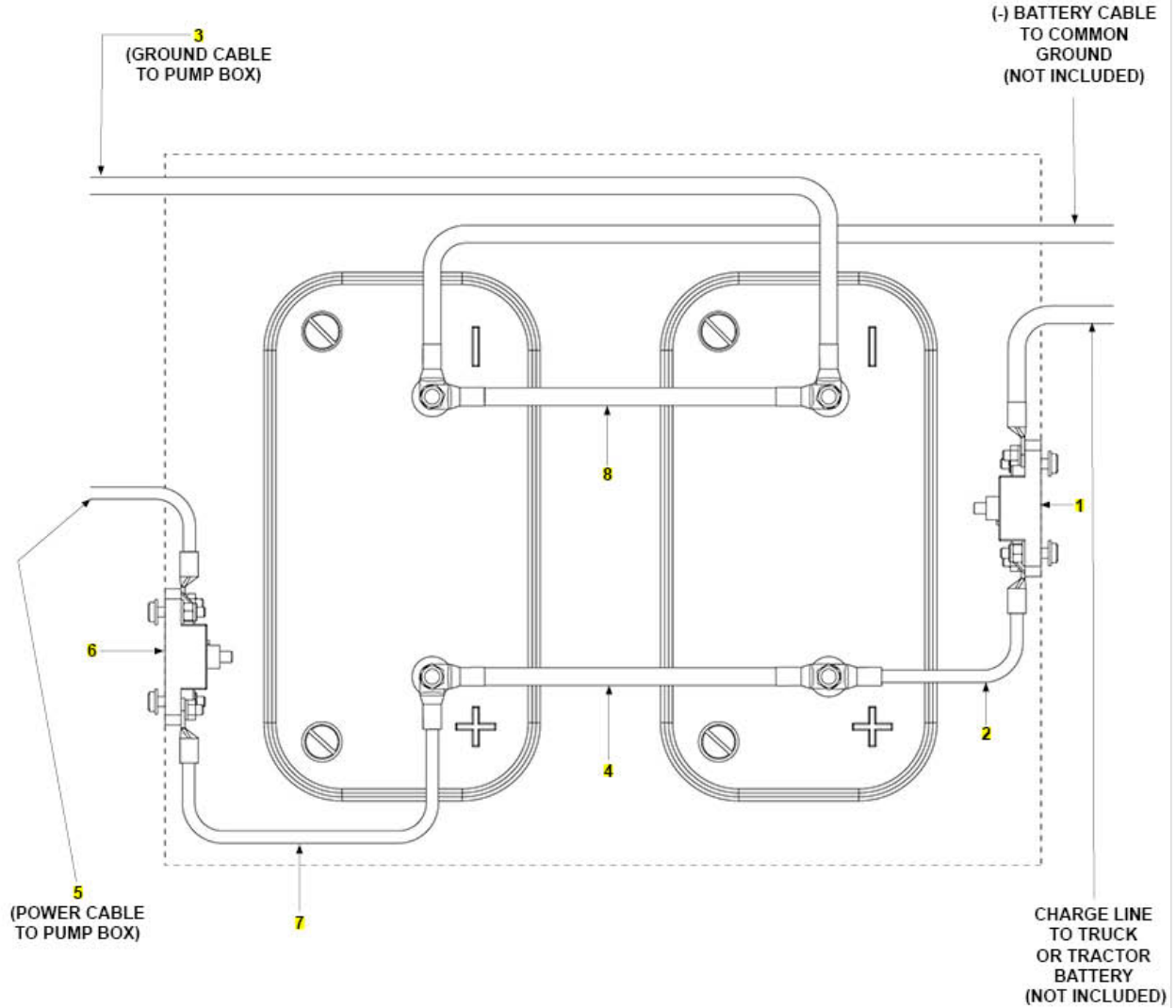
Pos	CPN	Qty	Description
2	900715-15	1	SCREW, FL PH .25-20X2.25 ZP
3	901000	1	NUT, NYLON 1/4-20 ZINC
4	903443-06	1	WASHER, SAE FLAT.25, ZC
5	296140-01	1	BMR PMP CONTROLLER
6	296147-01	1	BMR PUMP VALVE HARNESS
7	900004-4	1	SCREW, CAP .25-20X.63 GR8 ZC
8	902011-2	1	WASHER. LOCK .25 .062 THK
9	902000-2	1	WASHER, FLAT 1/4X1/32
10	268226-12	1	CABLE ASSY,2GA,,.31/.38RING, 12"
11	287676-01	1	CABLE ASSY,2GA,R .31RINGS 28.0
1	906608-01	1	CHARGING SYSTEM SWITCH 1&2 POS

SPARE PARTS LIST
BMR 3300 4400 5500 6600
12 Volt Battery Connection

12 VOLT BATTERY CONNECTION

OCT 2016 to present

NOTE: MAXON recommends using dielectric grease on all electrical connections.



SPARE PARTS LIST
BMR 3300 4400 5500 6600
 12 Volt Battery Connection

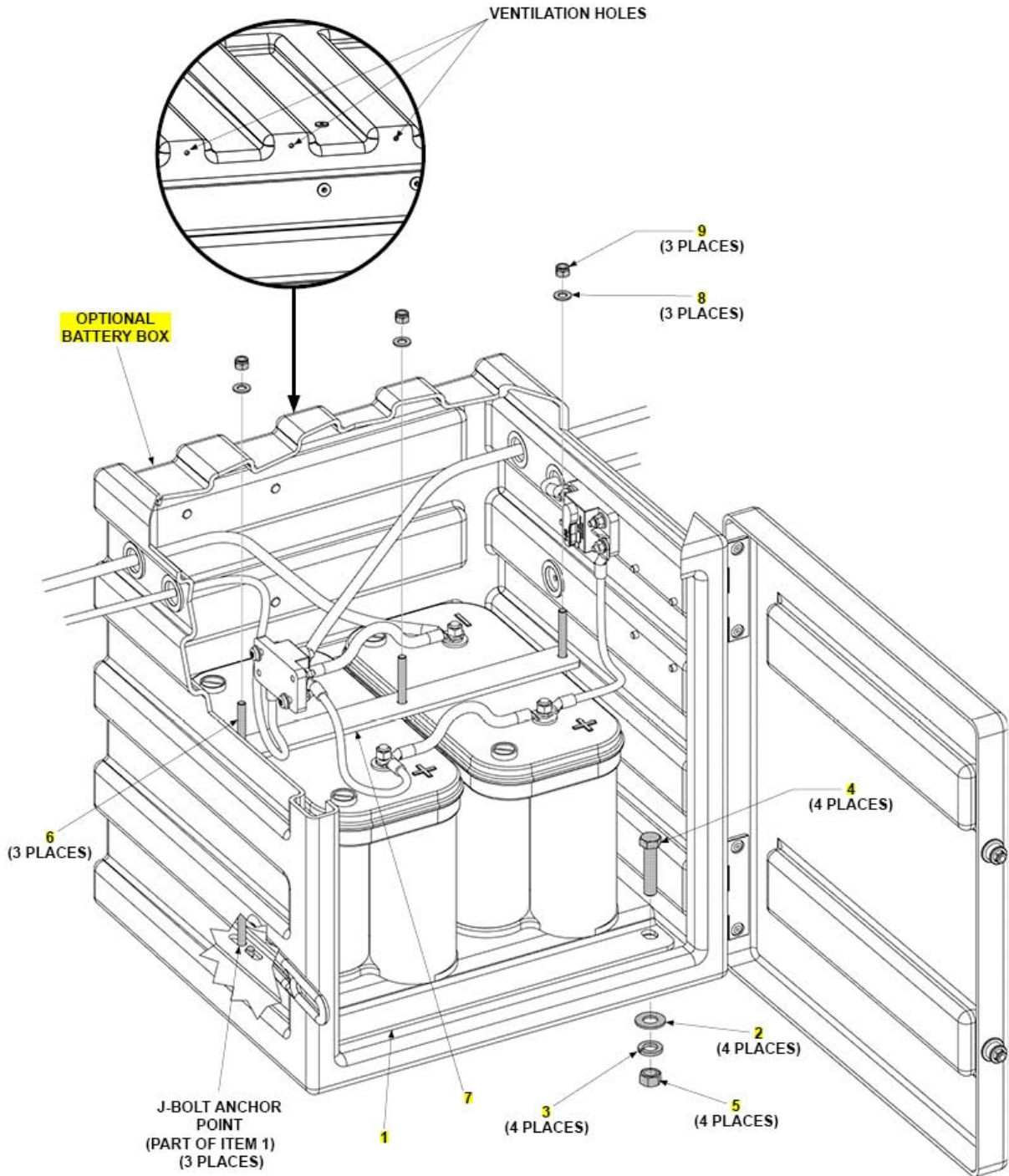
Pos	CPN	Qty	Description
2	269308-12	1	CABLE ASSEMBLY, 2 GA, RED, 12" LG.
3	268226-06	1	CABLE ASSEMBLY, 2 GA, 74" LG.
4	269308-10	1	CABLE ASSEMBLY, 2 GA, RED, 10" LG.
5	285506-07	1	CABLE ASSEMBLY, 2 GA, RED, 57" LG.
6	907230-01	1	CIRCUIT BREAKER, 200 AMP, TRIP/RESET
7	285506-01	1	CABLE ASSEMBLY, 2 GA, RED, 3/8" RING, 10" LG.
8	251871-14	1	CABLE ASSEMBLY, 2 GA, BLACK, 10" LG.
1	907207-01	1	CIRCUIT BREAKER, 150 AMP, MANUAL RESET

SPARE PARTS LIST
BMR 3300 4400 5500 6600
 Optional Battery Box Assembly

OPTIONAL BATTERY BOX ASSEMBLY

OCT 2016 to present

⚠ WARNING
 Explosive hydrogen gas from charging batteries can accumulate in battery box if not vented from the box. To prevent hydrogen gas from accumulating, ensure the 3 ventilation holes in battery box are not plugged or covered.



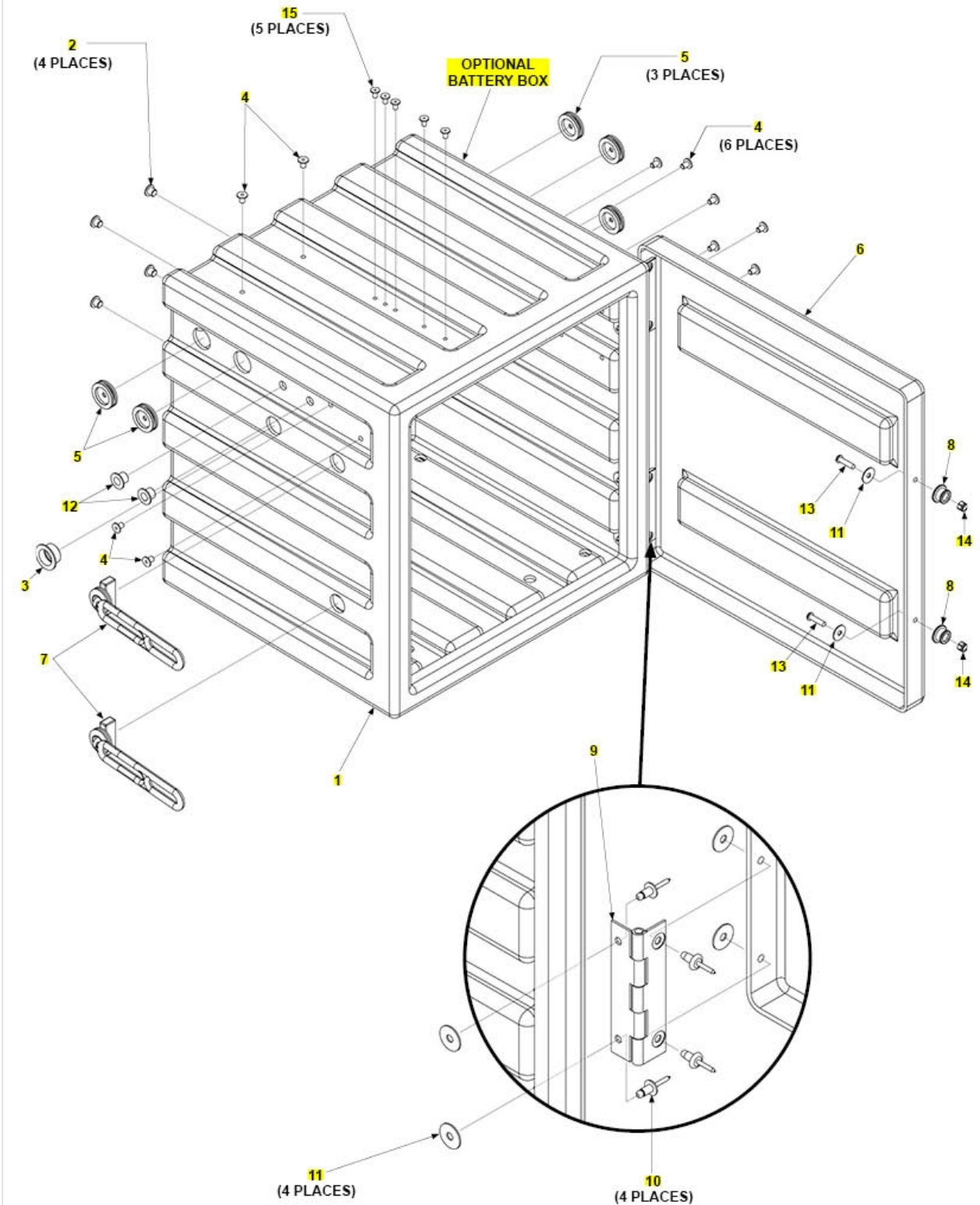
SPARE PARTS LIST
BMR 3300 4400 5500 6600
 Optional Battery Box Assembly

Pos	CPN	Qty	Description
2	902013-14	1	FLAT WASHER, 9/16"
3	902011-7	1	LOCK WASHER, 9/16"
4	900033-6	1	CAP SCREW, 1/2"-20 X 2-1/4" LG, GRADE 8
5	901011-10	1	HEX NUT, 1/2"-20
6	289872-01	1	J-BOLT (BATTERY TIE DOWN), 5/16"
7	289874-01	1	BATTERY STRAP (2 BATTERY)
8	902013-10	1	FLAT WASHER, 5/16"
9	903106-10	1	NYLON NUT, 5/16"-18
1	289871-01	1	BATTERY MOUNT PLATE WELDMENT (2 BATTERY)

SPARE PARTS LIST
BMR 3300 4400 5500 6600
Optional Battery Box

OPTIONAL BATTERY BOX

OCT 2016 to present



SPARE PARTS LIST
BMR 3300 4400 5500 6600
 Optional Battery Box

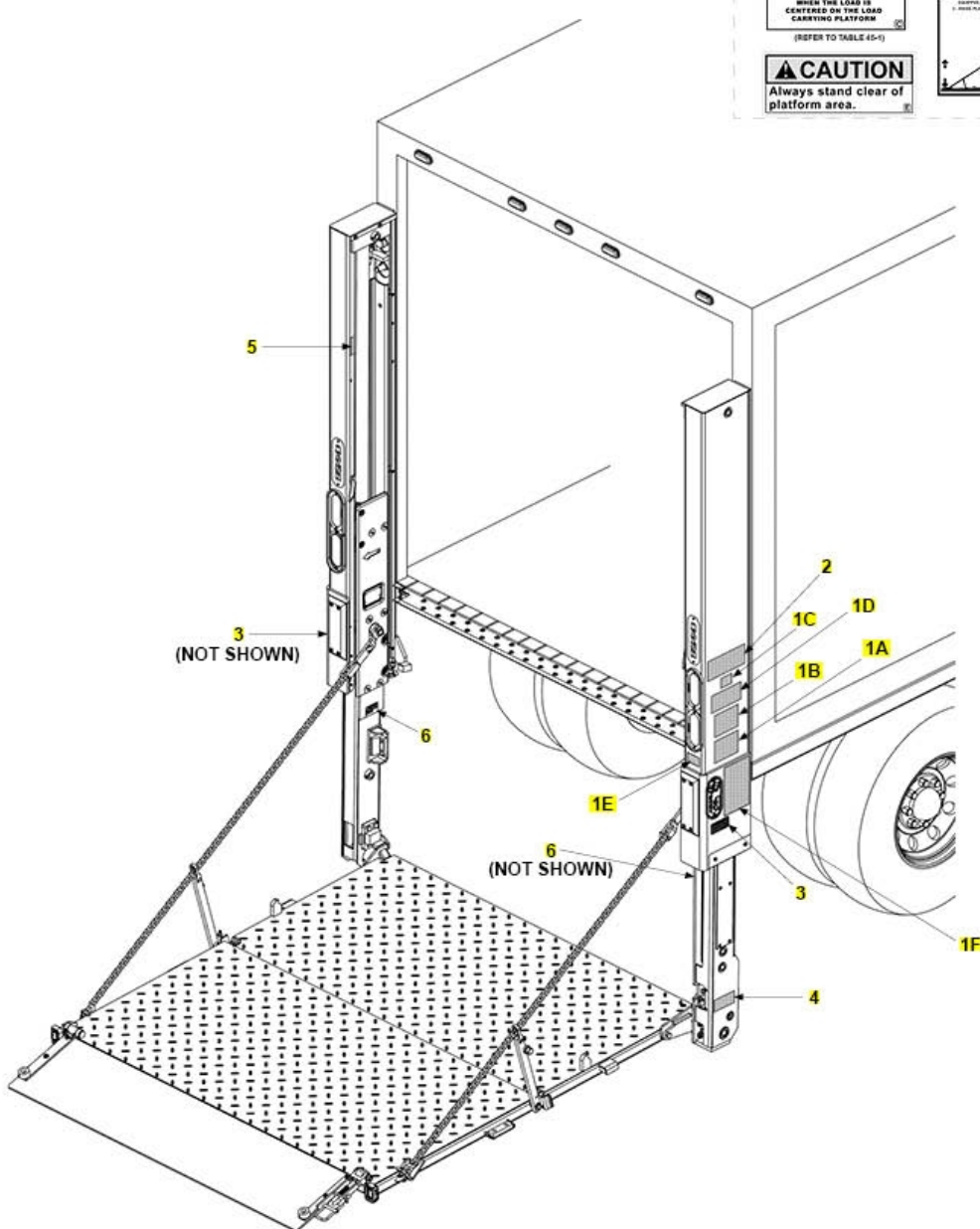
Pos	CPN	Qty	Description
1	289854-01	1	BOX
2	908022-03	1	FLEXIBLE PLUG, 5/16"
3	908022-08	1	FLEXIBLE PLUG, 1-1/16"
4	908022-07	1	FLEXIBLE PLUG, 1/4"
5	266428-02	1	GROMMET, 1" DIAPHRAGM, 1/4" HOLE
6	269558-01	1	COVER
7	908193-01	1	RUBBER LATCH
8	908194-01	1	FASTENING KNOB
9	285970-01	1	HINGE ASSEMBLY, PLASTIC
10	903715-03	1	BLIND RIVET, 1/4" X 1/4"-3/8"
11	903438-01	1	WASHER, 1/4"
12	908022-05	1	FLEXIBLE PLUG, 9/16"
13	900719-07	1	BUTTON HEAD SCREW, 1/4"-20 X 1" LG.
14	903137-01	1	LOCK NUT, 1/4"-20, NYLON
15	908022-01	1	FLEXIBLE PLUG, 1/4" X 1/2"
REF	269561-01	1	BATTERY BOX ASSEMBLY

SPARE PARTS LIST
BMR 3300 4400 5500 6600
 Decals

DECALS

OCT 2016 to present

NOTE: Preferred decal layout is shown. Decals on the Liftgate are attached at the factory. If vehicle does not permit this layout, decals in the manual and decal kit must be applied so that they are easily visible when approaching vehicle to operate Liftgate. Use good common sense when locating these decals on vehicle.



SPARE PARTS LIST
BMR 3300 4400 5500 6600
 Decals

Pos	CPN	Qty	Description
1A	289163-01	1	DECAL, SHEET, BMRB35
1A	289163-02	1	DECAL, SHEET, BMRB44
1A	289163-03	1	DECAL, SHEET, BMRB55
1A	289163-04	1	DECAL, SHEET, BMRB66
1B	289163-01	1	DECAL, SHEET, BMRB35
1B	289163-02	1	DECAL, SHEET, BMRB44
1B	289163-03	1	DECAL, SHEET, BMRB55
1B	289163-04	1	DECAL, SHEET, BMRB66
1C	289163-01	1	DECAL, SHEET, BMRB35
1C	289163-02	1	DECAL, SHEET, BMRB44
1C	289163-03	1	DECAL, SHEET, BMRB55
1C	289163-04	1	DECAL, SHEET, BMRB66
1D	289163-01	1	DECAL, SHEET, BMRB35
1D	289163-02	1	DECAL, SHEET, BMRB44
1D	289163-03	1	DECAL, SHEET, BMRB55
1D	289163-04	1	DECAL, SHEET, BMRB66
1E	289163-01	1	DECAL, SHEET, BMRB35
1E	289163-02	1	DECAL, SHEET, BMRB44
1E	289163-03	1	DECAL, SHEET, BMRB55
1E	289163-04	1	DECAL, SHEET, BMRB66
1F	289163-01	1	DECAL, SHEET, BMRB35
1F	289163-02	1	DECAL, SHEET, BMRB44
1F	289163-03	1	DECAL, SHEET, BMRB55
1F	289163-04	1	DECAL, SHEET, BMRB66
2	282847-01	1	DECAL,WARNING,STOW,COLUMN/RAIL
3	283445-01	1	DECAL, FAMILY OWNED
4	288966-01	1	DECAL, WARNING, BMR RUNNERS
5	090175-15	1	TAPE, YEL REFL. 3"X4.1LG
6	260552	1	DECAL DO NOT GREASE COLUMNS
1	289163-01	1	DECAL, SHEET, BMRB35

SPARE PARTS LIST
BMR 3300 4400 5500 6600
Decals

Pos	CPN	Qty	Description
1	289163-02	1	DECAL, SHEET, BMRB44
1	289163-03	1	DECAL, SHEET, BMRB55
1	289163-04	1	DECAL, SHEET, BMRB66