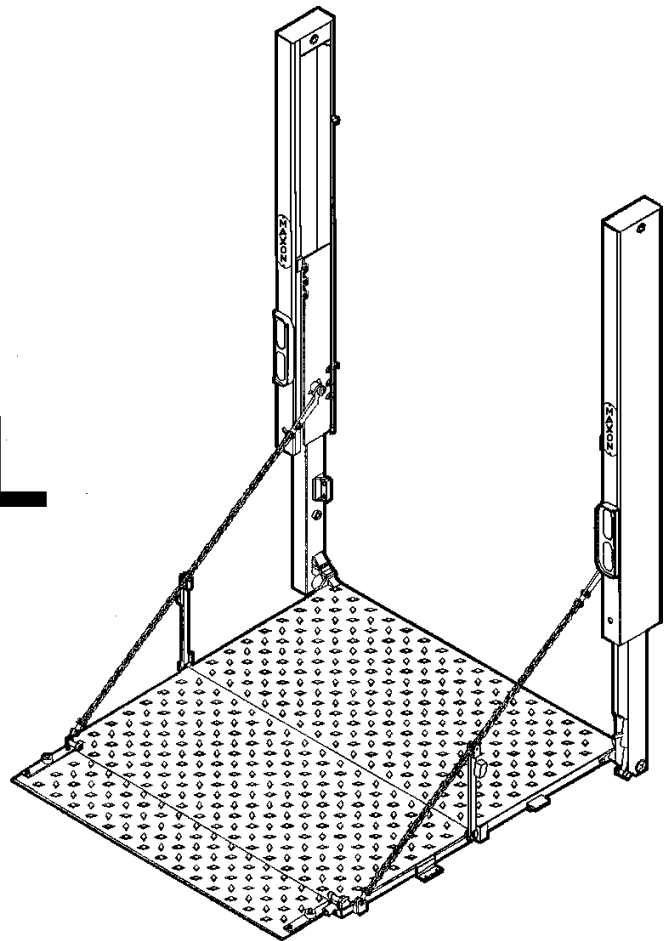


M-94-09  
REV. B  
OCT. 1998

# MAXON®

 **COLUMNLIFT®**  
**LIFT GATE SERIES**

## BMR-44 PARTS MANUAL



**MAXON®**  
**LIFT CORP.**

11921 Slauson Avenue.  
Santa Fe Springs, CA. 90670  
(800) 227-4116

# MAXON<sup>®</sup>

LIFT CORP.

11921 Slauson Ave.  
Santa Fe Springs, CA. 90670

## CUSTOMER SERVICE:

TELEPHONE (562) 464-0099 TOLL FREE (800) 227-4116

FAX: (888) 771-7713

NOTE: Check with Customer Service for updated versions  
of Manuals on an annual basis.

## WARRANTY POLICY & PROCEDURE

### NEW LIFTGATE WARRANTY

Term of Warranty: 2 Years from Date of In-Service

Type of Warranty: Full Parts and Labor

MAXON agrees to replace any components which are found to be defective during the first 2 years of service, and will reimburse for labor based on MAXON's Liftgate Warranty Flat Rate Labor Schedule. (Call MAXON Customer Service for a copy).

All claims for warranty must be received within 30 Days of the repair date, and include the following information:

1. Liftgate Model Number
2. Liftgate Serial Number
3. Detailed Description of Problem
4. Corrective Action Taken, and Date of Repair.
5. Parts used for Repair, Including MAXON Part Number(s).
6. MAXON R.M.A. # and/or Authorization # if applicable (see below).
7. Person contacted at MAXON if applicable.

All warranty repairs must be performed by an authorized MAXON warranty station. For major repairs, MAXON Customer Service must be notified and an "Authorization Number" obtained. Major repairs would generally be considered repairs made to the structural assembly of the liftgate and/or repairs not outlined in the MAXON Liftgate Warranty Flat Rate Schedule.

Major components (i.e. hydraulic pumps, cylinders, valves, or failed structural parts) must be returned, freight pre-paid, prior to the claim being processed. To ensure timely processing of these warranty claims, an R.M.A. (Returned Merchandise Authorization) number must be obtained from MAXON Customer Service prior to the return of any defective part. Defective Parts must be returned within 60 days of the claim date for consideration to:

**MAXON Lift Corp.**  
**16205 Distribution Way, Cerritos, CA 90703**  
**Attn: RMA#\_\_**

MAXON's warranty policy does not include the reimbursement for travel time, towing, vehicle rental, service calls, oil, batteries, defects due to misuse or abuse, or loss of income due to downtime. Fabrication of parts, which are available from MAXON, are also not covered.

MAXON's Flat Rate Labor Schedule takes into consideration the time required for diagnosis of a problem.

### PURCHASE PART WARRANTY

Term of Warranty: 1 Year from Date of Purchase

Type of Warranty: Part Replacement

MAXON will guarantee all returned genuine replacement parts upon receipt and inspection of parts and invoice.

# Table of Contents

LIFTGATE TERMINOLOGY .....	PAGE 5
R.H. COLUMN ASSEMBLY .....	PAGE 6
L.H. COLUMN ASSEMBLY .....	PAGE 8
R.H. RUNNER ASSEMBLY .....	PAGE 10
L.H. RUNNER ASSEMBLY .....	PAGE 12
R.H. CHAIN ASSEMBLY .....	PAGE 14
L.H. CHAIN ASSEMBLY .....	PAGE 15
1-PC. PLATFORM ASSEMBLY .....	PAGE 16
PLATFORM ASSEMBLY, BMR-44 .....	PAGE 17
FOLDOVER ASSEMBLY BMR-44 .....	PAGE 18
TANDEM ASSEMBLY .....	PAGE 19
SPRING GUARD MOUNTING .....	PAGE 20
<b>HYDRAULIC SECTION .....</b>	<b>PAGE 21</b>
PUMP 253515 (1994 TO JAN.1997) .....	PAGE 22
PUMP 260545 (JAN.1997 TO PRESENT) .....	PAGE 24
HYD. COMPONENTS, 1 PUMP GRAVITY DOWN .....	PAGE 26
PUMP FITTINGS, 1 PUMP GRAVITY DOWN .....	PAGE 28
PUMP FITTINGS, 1 PUMP POWER DOWN .....	PAGE 29
HYD. COMPONENTS, 1 PUMP POWER DOWN .....	PAGE 30
HYD. COMPONENTS, 2 PUMP GRAVITY DOWN .....	PAGE 32
PUMP FITTINGS, 2 PUMP GRAVITY DOWN .....	PAGE 34

**TABLE OF CONTENTS (Cont'd. Next Page)**

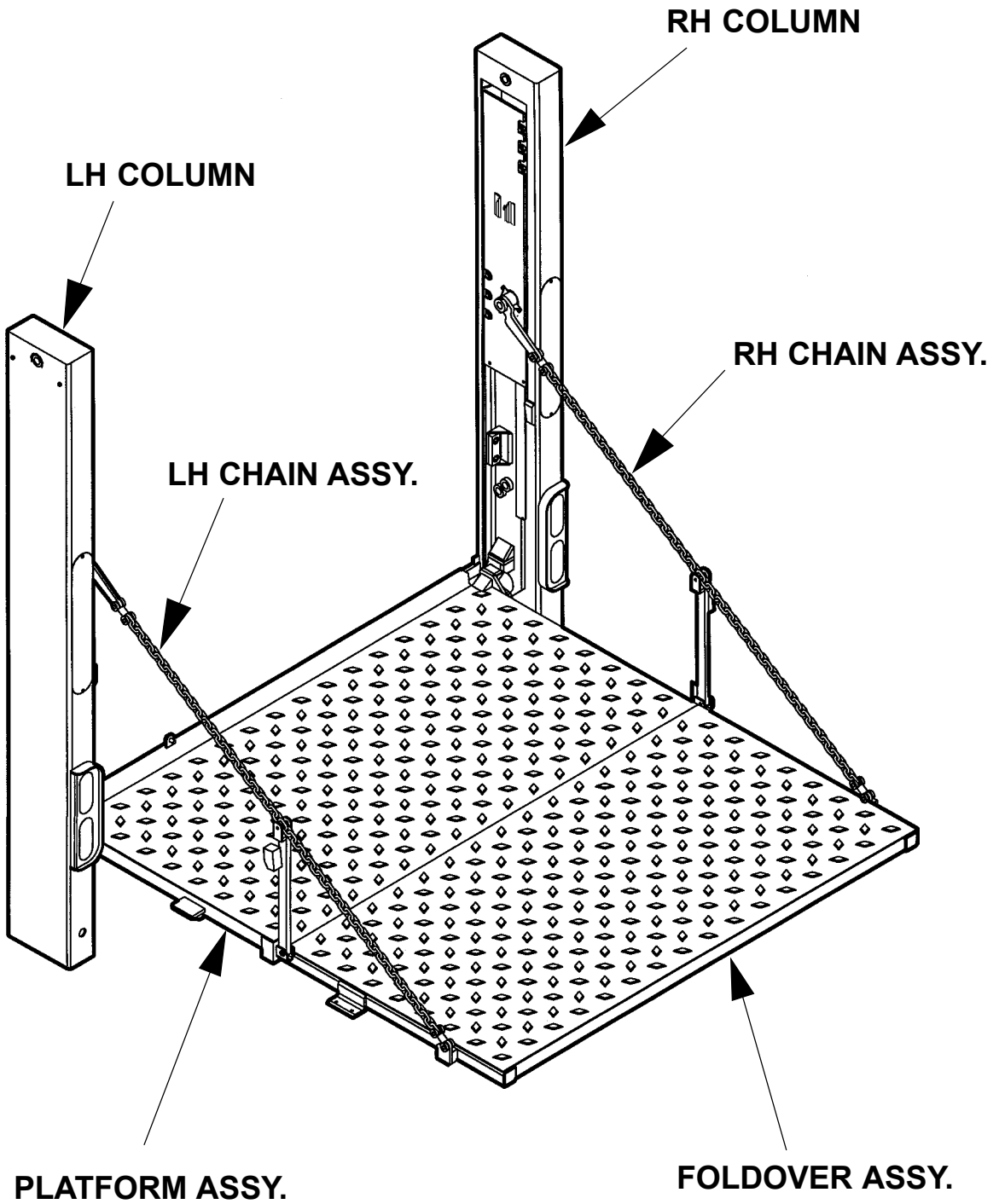
# TABLE OF CONTENTS (Cont'd.)

<b>ELECTRICAL SECTION .....</b>	<b>PAGE 37</b>
CONTROL BOX GRAVITY DOWN (NEW STYLE) .....	PAGE 38
CONTROL BOX GRAVITY DOWN (OLD STYLE) .....	PAGE 39
CONTROL BOX POWER DOWN (NEW STYLE) .....	PAGE 40
CONTROL BOX POWER DOWN (OLD STYLE) .....	PAGE 41
WIRING, 1 PUMP GRAVITY DOWN .....	PAGE 42
WIRING, 1 PUMP POWER DOWN .....	PAGE 44
WIRING, 2 PUMP GRAVITY DOWN .....	PAGE 46
WIRING, 2 PUMP POWER DOWN .....	PAGE 48
<b>OPTIONAL SECTION .....</b>	<b>PAGE 51</b>
HAND PUMP KIT .....	PAGE 52
BOTTOM STOP ASSEMBLY .....	PAGE 54
FIXED RAMP, 6" & 12" .....	PAGE 55
ALUMINUM RETENTION RAMP .....	PAGE 56
CART STOP RAMP .....	PAGE 58
DUAL CART STOP RAMP .....	PAGE 60

**MAXON**<sup>®</sup>

11921 Slauson Ave. Santa Fe Springs, CA. 90670 (800) 227-4116 FAX (888) 771-7713

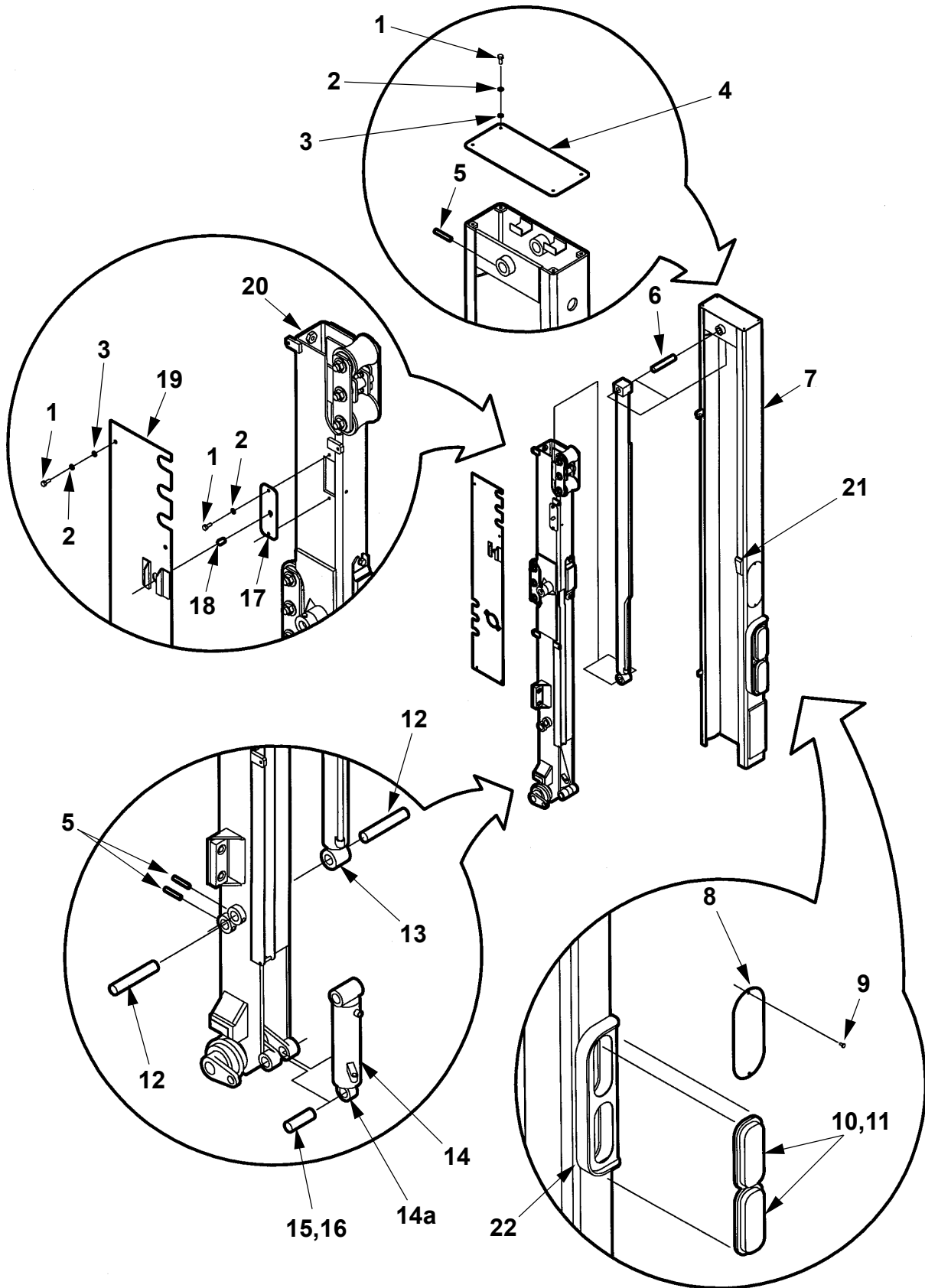
# LIFTGATE TERMINOLOGY



# R.H. COLUMN ASSEMBLY P/N 253577

**MAXON**<sup>®</sup>

11921 Slauson Ave. Santa Fe Springs, CA. 90670 (800) 227-4116 FAX (888) 771-7713



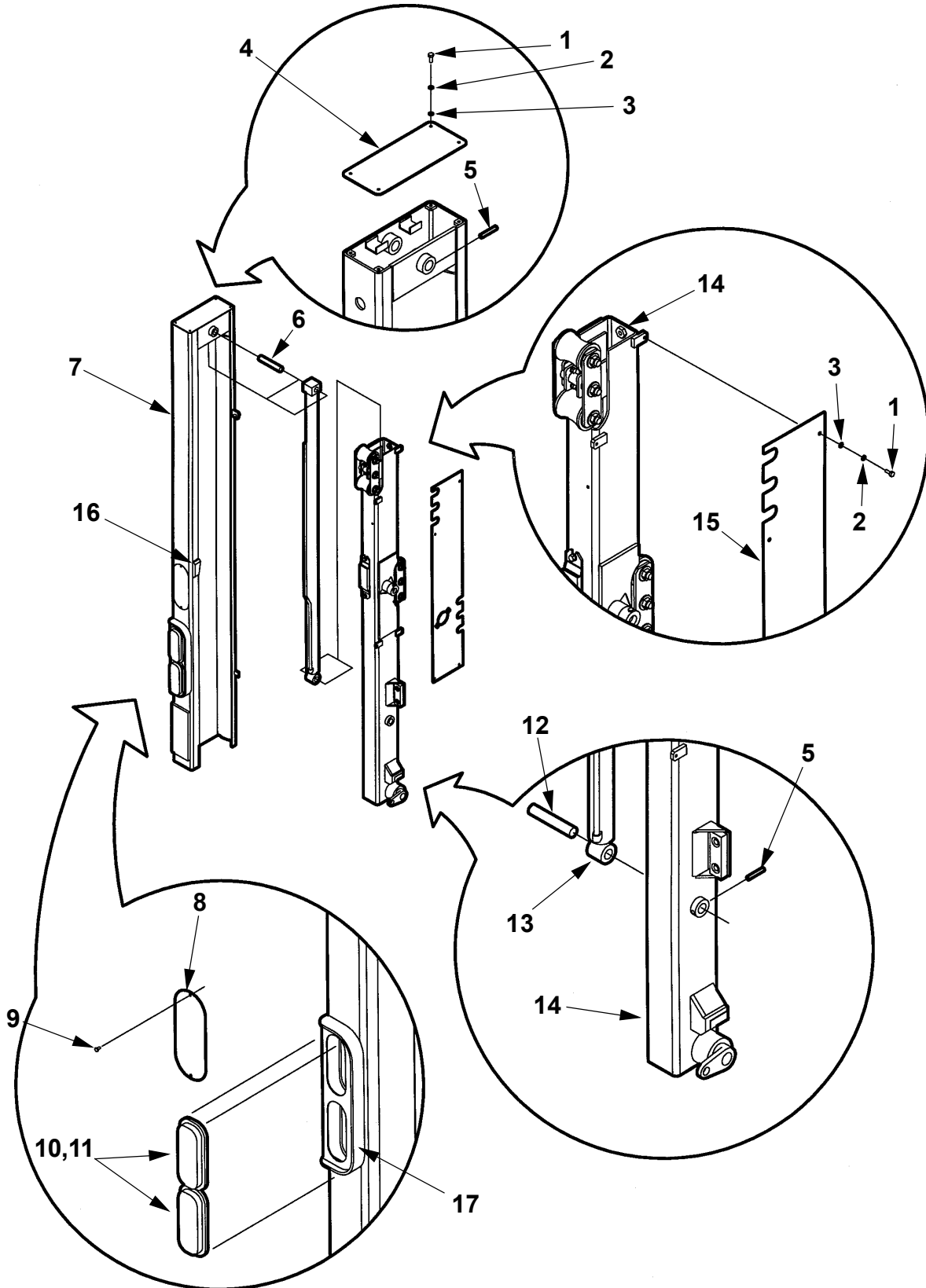
## R.H. COLUMN ASSEMBLY P/N 253577

ITEM	QTY.	PART NO.	DESCRIPTION
1	10	040597	BOLT, 1/4-20 x 3/4"
2	10	030551	WASHER, 1/4" LOCK
3	8	030564	WASHER, 1/4" FLAT
4	1	263114	COVER, (2-LIGHT COLUMN)
		253767	COVER WELD'T (3-LIGHT COLUMN)
5	3	221416	PIN, ROLL 3/8" x 2" LONG
6	1	263457	PIN, 1" x 5-7/8" LONG
7	1	253521-100	COLUMN WELDMENT, RH (2-LIGHT)
		253521	COLUMN WELDMENT, RH (3-LIGHT)
8	1	260478	MAXON VERTICAL PLATE 3" x 10"
9	2	207644	RIVET, 3/16 POP
10	1	252533	LIGHT, CLEAR (For 3-Lgt. Col. Only)
11	2	252532	LIGHT, STOP/TAIL/TURN, SEALED
		263342	LIGHT KIT, LED, STOP/TAIL/TURN
12	2	253590	PIN, 1" x 4-3/4" LONG
13	1	253315	CYL., LIFT, DBL. ACT. 2x61x1 ROD
14	1	253975	CLOSING CYLINDER ASSEMBLY
14a	1	253657	BEARING, SELF LUBE, 1 x 1
15	1	253772	PIN, 1" x 3-3/32" LONG
16	1	050034	PIN, ROLL 1/4" x 2" LONG
17	1	253694	SWITCH PLATE
18	1	250876	RUBBER SEAL, SWITCH
19	1	260931	COVER WELDMENT, RH COLUMN
20	1	253563	RUNNER ASSEMBLY, RH
21	1	253535-02	LOCKING PLATE x 3-1/2" RH
22	1	260011	LIGHT MOUNT BRACKET (3-LIGHT)
		260011-100	LIGHT MOUNT BRACKET (2-LIGHT)

# L.H. COLUMN ASSEMBLY P/N 253578

**MAXON**<sup>®</sup>

11921 Slauson Ave. Santa Fe Springs, CA. 90670 (800) 227-4116 FAX (888) 771-7713





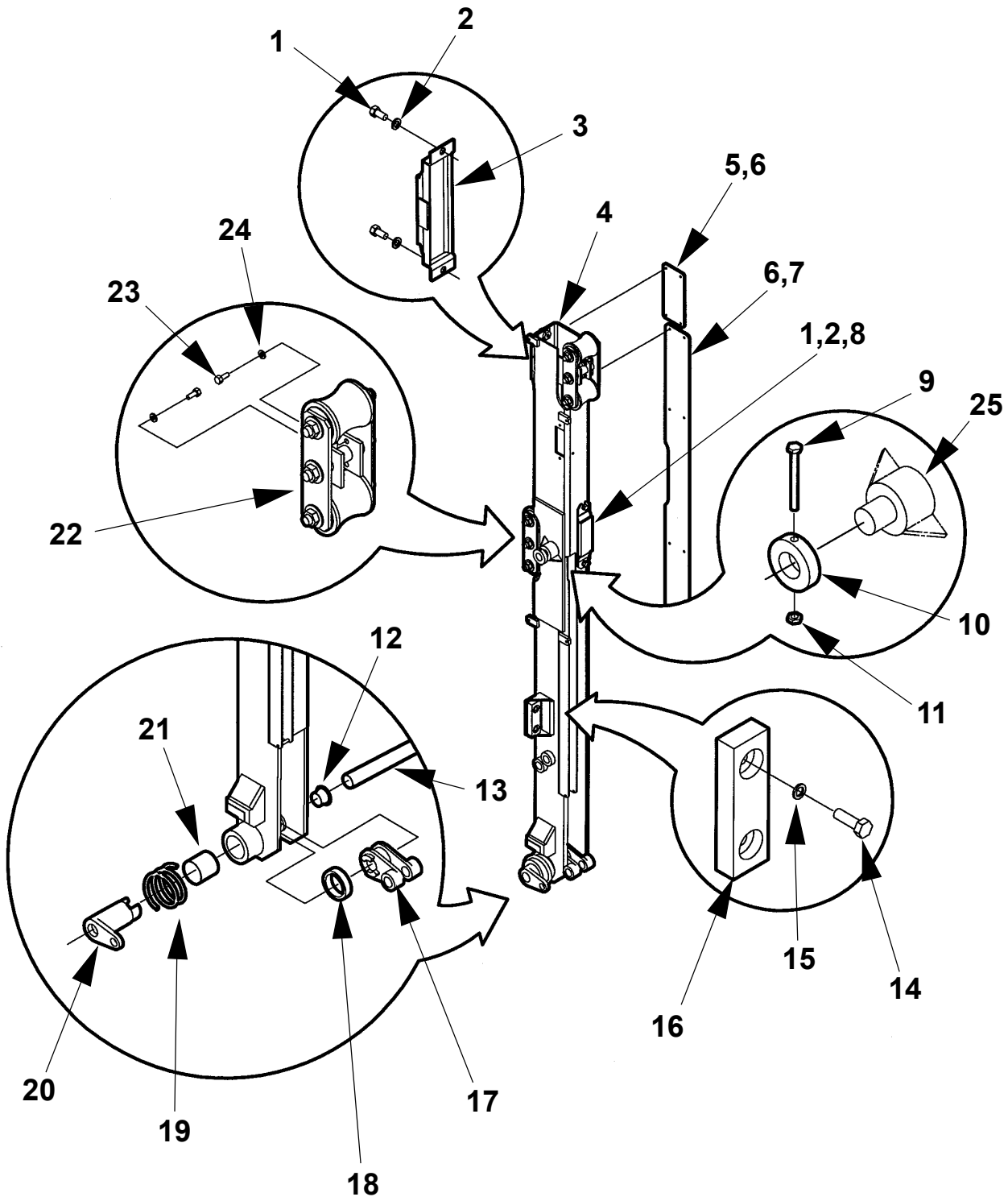
## L.H. COLUMN ASSEMBLY P/N 253578

ITEM	QTY.	PART NO.	DESCRIPTION
1	8	040597	BOLT, 1/4-20 x 3/4"
2	8	030551	WASHER, 1/4" LOCK
3	8	030564	WASHER, 1/4" FLAT
4	1	263114	COVER, (2-LIGHT COLUMN)
		253767	COVER WLDM'T (3-LIGHT COLUMN)
5	2	221416	PIN, ROLL 3/8" x 2" LONG
6	1	263457	PIN, 1" x 5-7/8" LONG
7	1	253520-100	COLUMN WELDMENT, LH (2-LIGHT)
		253520	COLUMN WELDMENT, LH (3-LIGHT)
8	1	260478	MAXON VERTICAL PLATE 3" x 10"
9	2	207644	RIVET, 3/16 POP
10	1	252533	LIGHT, CLEAR (For 3-Lgt Col. Only)
11	2	252532	LIGHT, STOP/TAIL/TURN SEALED
		263342	LIGHT KIT, STOP/TAIL/TURN, LED
12	1	253590	PIN, 1" x 4-3/4" LONG
13	1	253315	CYL., LIFT, DBL. ACT. 2x61x1 ROD
14	1	253565	RUNNER ASSEMBLY, LH
15	1	260932-01	COVER WELDMENT, LH COLUMN
16	1	253535-01	LOCKING PLATE x 3-1/2" LH
17	1	260011	LIGHT MOUNT BRACKET (3-LIGHT)
		260011-100	LIGHT MOUNT BRACKET (2-LIGHT)

# R.H. RUNNER ASSEMBLY P/N 253563

**MAXON**<sup>®</sup>

11921 Slauson Ave. Santa Fe Springs, CA. 90670 (800) 227-4116 FAX (888) 771-7713



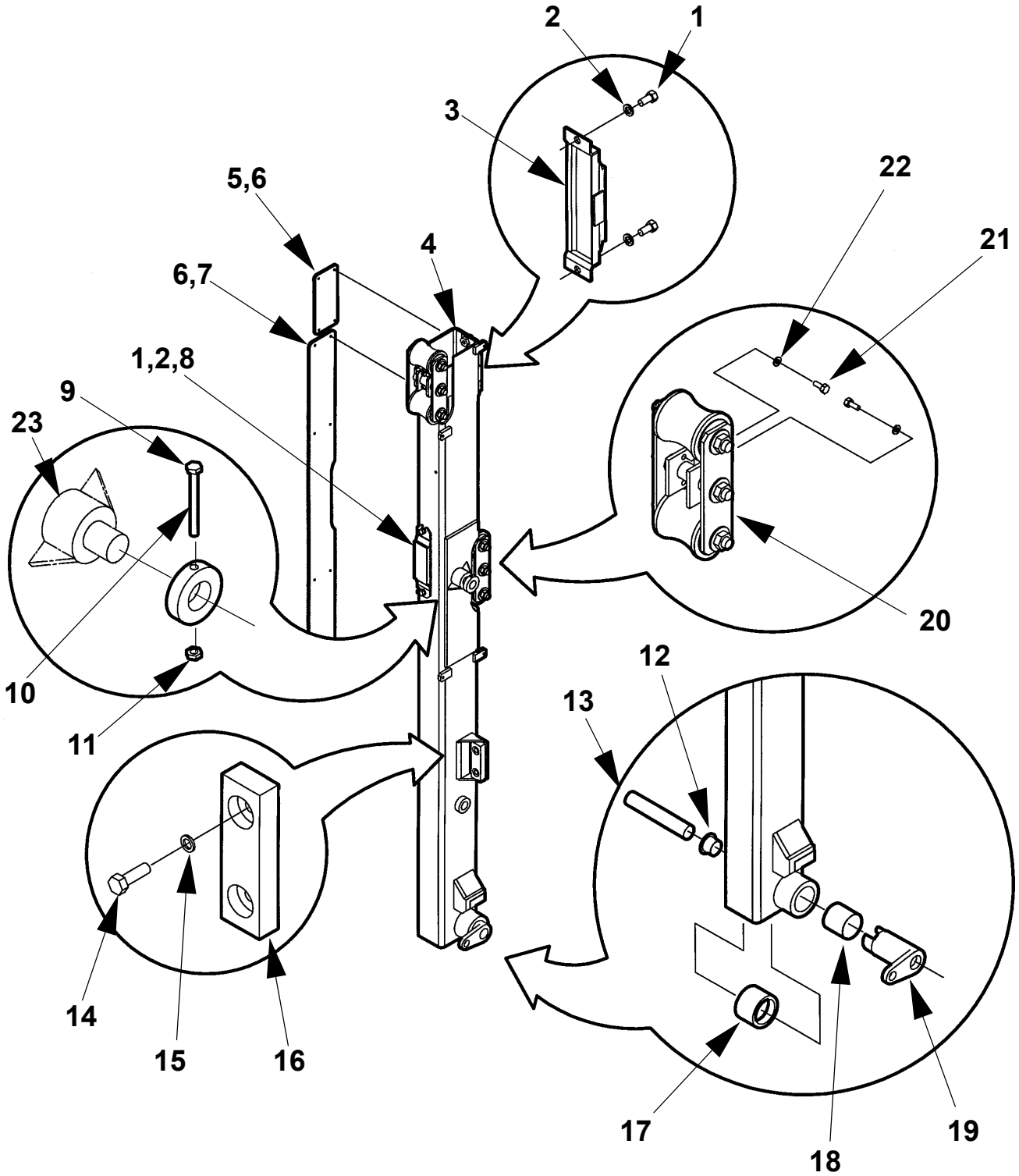
## R.H. RUNNER ASSEMBLY P/N 253563

ITEM	QTY.	PART NO.	DESCRIPTION
1	4	260560	BOLT, 3/8-16 x 1
2	4	030555	WASHER, LOCK 3/8
3	1	253566	UPPER PAD SUPPORT ASSEMBLY
4	1	253561	RUNNER WELDMENT R.H.
5	1	253544	PAD POLY, 3.5" x 8"
6	12	207644	RIVET POP, 3/16 x .402
7	1	253543	PAD .28 DIA.
8	1	253567	LOWER PAD SUPPORT ASSEMBLY
9	1	260559	BOLT, 1/4-20 x 2-1/2"
10	1	253615	PIN COLLAR x 1/2"
11	1	040366	NUT, NYLON LOCK 5/16-18
12	1	253595	BEARING, SELF-LUBE 1.25
13	1	253586	PIN
14	2	040604	BOLT, 5/16-18 x 1
15	2	030564	WASHER, FLAT, 1/4"
16	2	225278-02	BUMPER
17	1	260517	COUPLING, INSIDE WELDMENT
18	1	253695	BEARING x 3/4"
19	1	260179	TORSION SPRING
20	1	260516-01	COUPLING, OUTSIDE WELDMENT
21	1	253596	BEARING, SELF-LUBE 2.2
22	2	253511-101	TANDEM ASSEMBLY
23	8	040597	BOLT, 1/4-20 x 3/4"
24	8	030551	WASHER, LOCK, 1/4"
25	1	253614	CHAIN BRACKET WELDMENT

# L.H. RUNNER ASSEMBLY P/N 253565

**MAXON**<sup>®</sup>

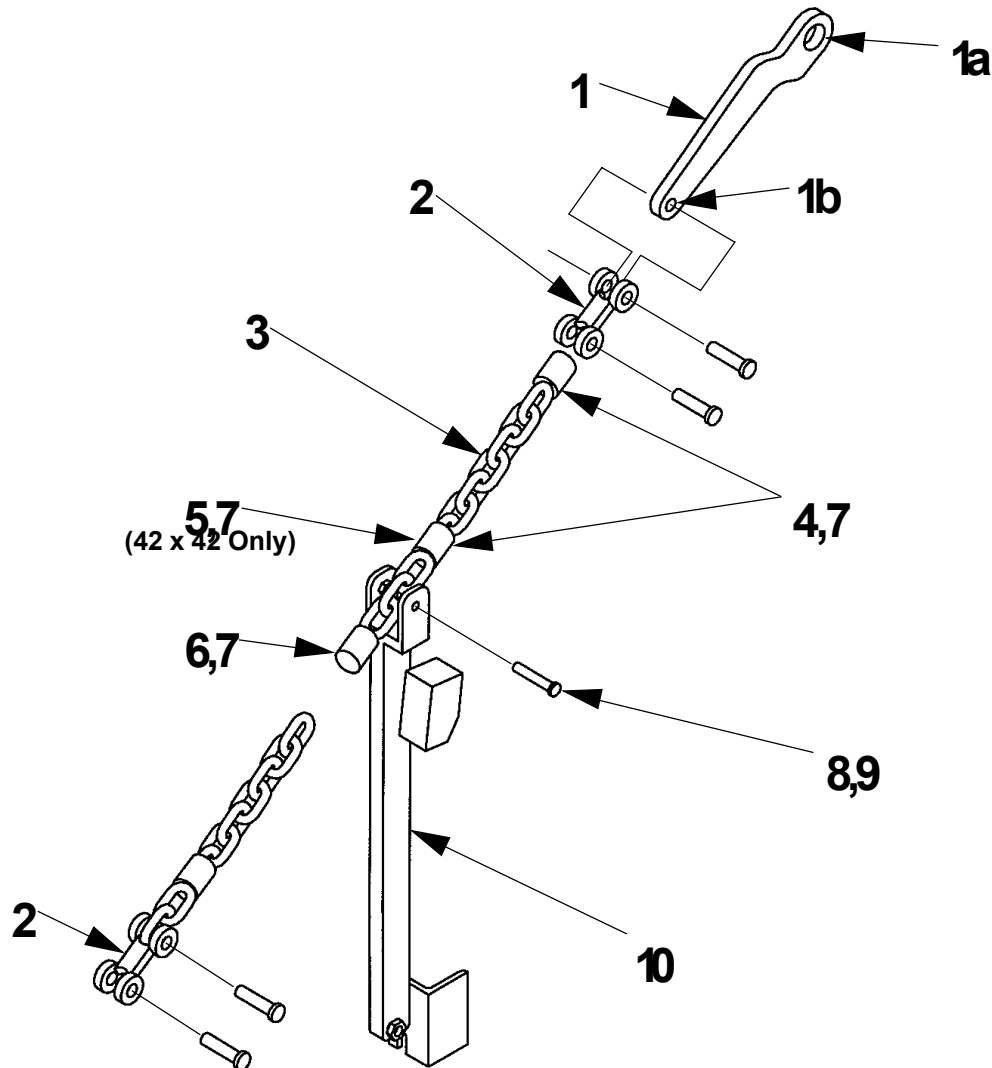
11921 Slauson Ave. Santa Fe Springs, CA. 90670 (800) 227-4116 FAX (888) 771-7713



**L.H. RUNNER ASSEMBLY  
P/N 253565**

ITEM	QTY.	PART NO.	DESCRIPTION
1	4	260560	BOLT, 3/8-16 x 1
2	4	030555	WASHER, LOCK 3/8
3	1	253566	UPPER PAD SUPPORT ASSEMBLY
4	1	253568	RUNNER WELDMENT L.H.
5	1	253544	PAD POLY, 3.5" x 8"
6	12	207644	RIVET POP, 3/16 x .402
7	1	253543	PAD .28 DIA.
8	1	253567	LOWER PAD SUPPORT ASSEMBLY
9	1	260559	BOLT, 1/4-20 x 2-1/2"
10	1	253615	PIN COLLAR x 1/2"
11	1	040366	NUT, NYLON LOCK 5/16-18
12	1	253595	BEARING, SELF-LUBE 1.25
13	1	253586	PIN
14	2	040604	BOLT, 5/16-18 x 1
15	2	030564	WASHER, FLAT, 1/4"
16	2	225278-02	BUMPER
17	1	253696	PIN COLLAR x 2-3/4"
18	1	253596	BEARING SELF-LUBE x 2.2
19	1	253579	PIN COLLAR WELDMENT
20	2	253511-101	TANDEM ASSEMBLY
21	8	040597	BOLT, 1/4-20 x 3/4"
22	8	030551	WASHER, LOCK, 1/4"
23	1	253614	CHAIN BRACKET WELDMENT

# R.H. CHAIN ASSEMBLY

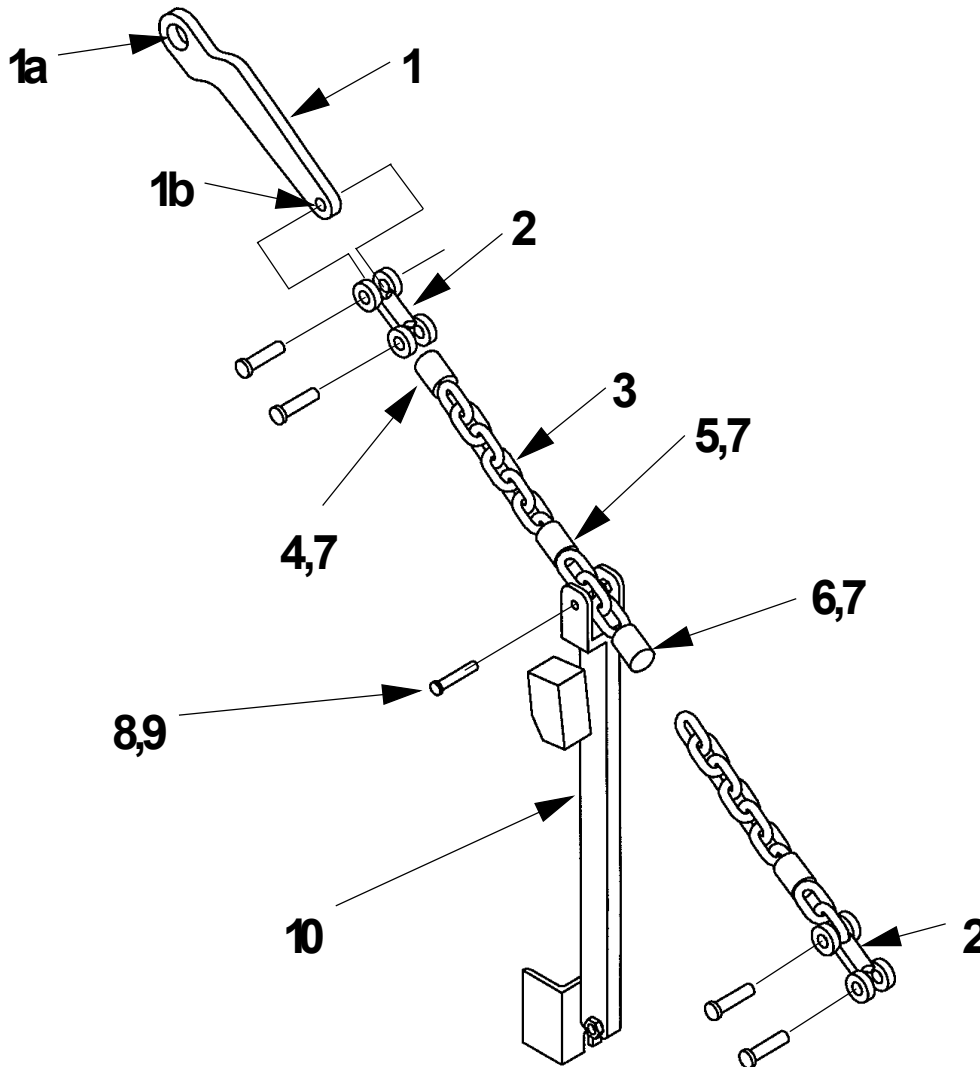


ITEM	QTY.	DESCRIPTION	PLATFORM SIZE (ASSEMBLY PART NUMBER)					
			42" x 42" 262532-02	42" x 30" 262532-04	36" x 36" 262532-06	36" x 24" 262532-08	30" x 30" 262532-10	42" x 48" (1 Pc) 262532-12
1	1	TEAR DROP ASSY. RH	260742-02					
1a	1	BRNG, SELF-LUBE 1 x 1/2	260078					
1b	1	BRNG, SELF-LUBE 1/2 x 1/2	253542					
2	2	DOUBLE CLEVIS	253585-01					
3	1	CHAIN	253606-13	253606-14	253606-15	253606-07		
4	2	SLEEVE 14-1/4" LONG	261609-05	N/A				
		SLEEVE 12" LONG	N/A	261609-02	N/A			
		SLEEVE 10" LONG	N/A		261609-04	N/A		
5	1	SLEEVE 16-1/2" LONG	261609-03	N/A				
6	1	SLEEVE 25-3/4" LONG	N/A	261609-01	N/A	261609-01	N/A	
		SLEEVE 32-1/4" LONG	261609-06	N/A	261609-06	N/A		
		SLEEVE 23" LONG	N/A		261609-07	N/A		
7	6	TIE WRAP (NOT SHOWN)	205780					
8	1	CLEVIS PIN	260781					
9	1	COTTER PIN	260836-01					
10	1	OPENER ASSEMBLY (RH)	262531-02	262531-04	262531-06	262531-08	262531-10	N/A

**MAXON**<sup>®</sup>

11921 Slauson Ave. Santa Fe Springs, CA. 90670 (800) 227-4116 FAX (888) 771-7713

# L.H. CHAIN ASSEMBLY

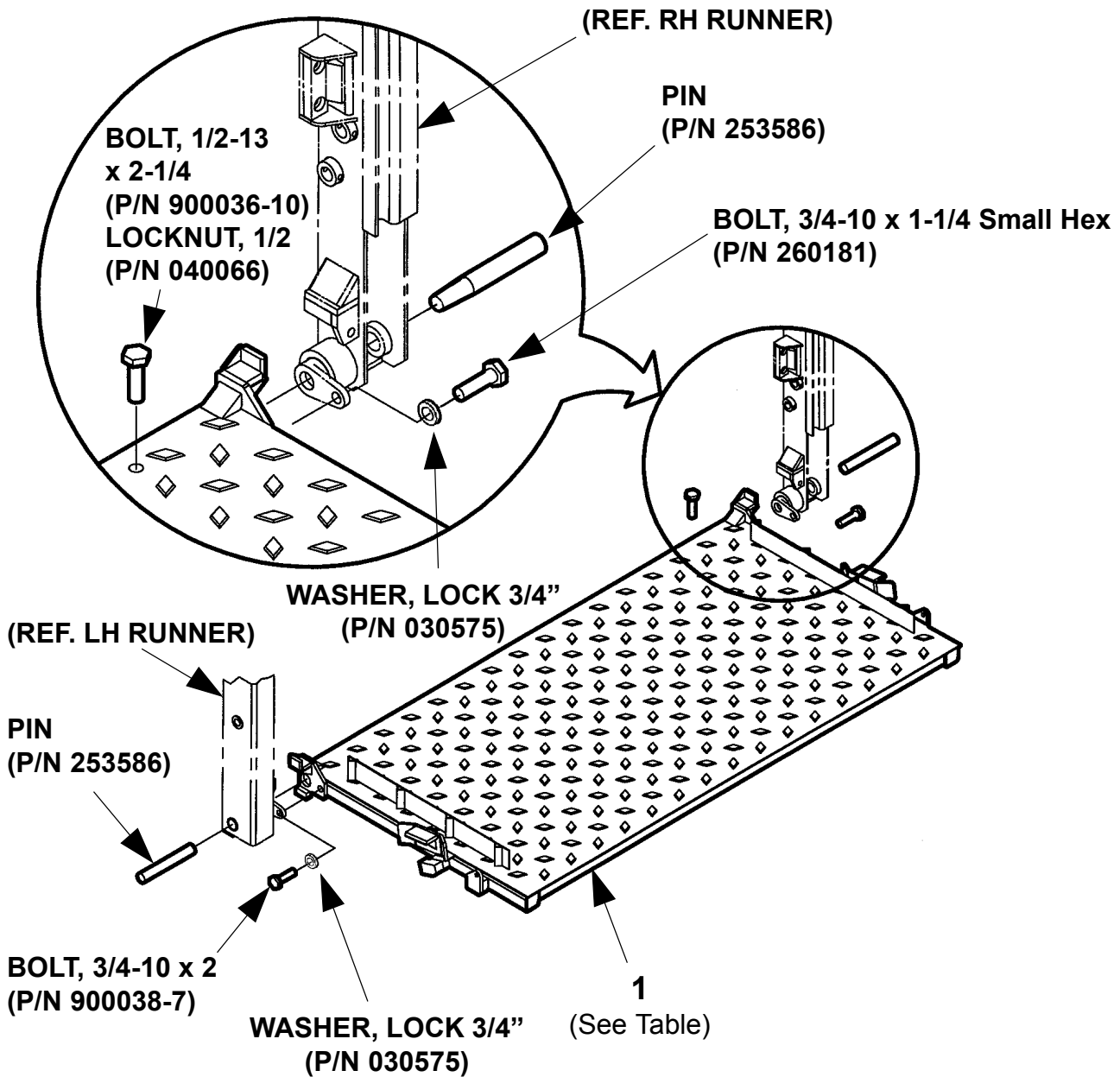


ITEM	QTY.	DESCRIPTION	PLATFORM SIZE (ASSEMBLY PART NUMBER)					
			42" x 42" 262532-01	42" x 30" 262532-03	36" x 36" 262532-05	36" x 24" 262532-07	30" x 30" 262532-09	42" x 48" (1 Pc) 262532-11
1	1	TEAR DROP ASSY. LH	260742-01					
1a	1	BRNG, SELF-LUBE 1 x 1/2	260078					
1b	1	BRNG, SELF-LUBE 1/2 x 1/2	253542					
2	2	DOUBLE CLEVIS	253585-01					
3	1	CHAIN	253606-13	253606-14	253606-15		253606-07	
4	2	SLEEVE 14-1/4" LONG	261609-05		N/A			
		SLEEVE 12" LONG	N/A		261609-02	N/A		
		SLEEVE 10" LONG	N/A			261609-04	N/A	
5	1	SLEEVE 16-1/2" LONG	261609-03	N/A				
6	1	SLEEVE 25-3/4" LONG	N/A	261609-01	N/A		261609-01	N/A
		SLEEVE 32-1/4" LONG	261609-06	N/A	261609-06	N/A		
		SLEEVE 23" LONG	N/A		261609-07	N/A		
7	6	TIE WRAP (NOT SHOWN)	205780					
8	1	CLEVIS PIN	260781					
9	1	COTTER PIN	260836-01					
10	1	OPENER ASSEMBLY (LH)	262531-01	262531-03	262531-05	262531-07	262531-09	N/A

# 1-PC. PLATFORM ASSEMBLY

**MAXON**

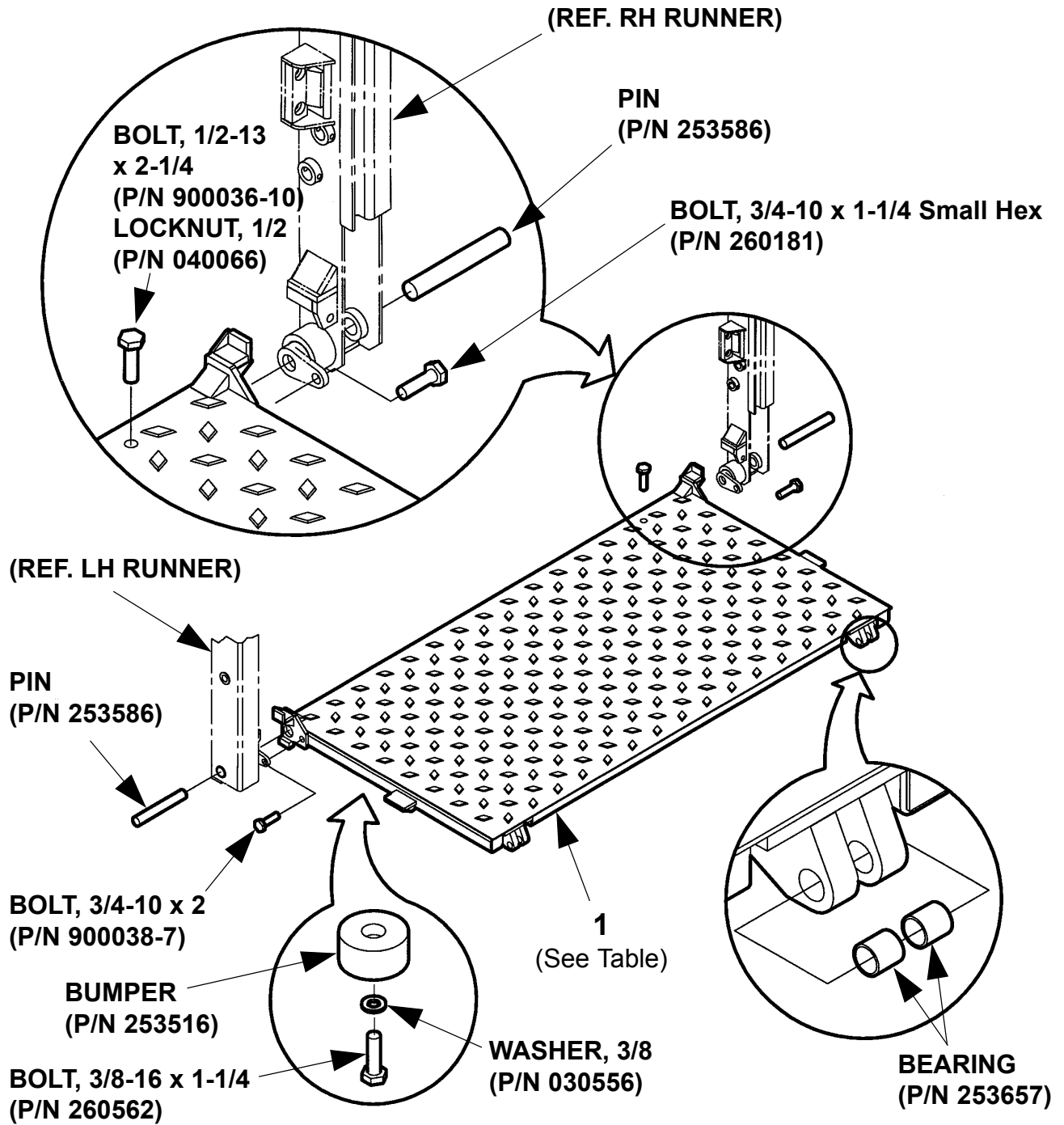
11921 Slauson Ave. Santa Fe Springs, CA. 90670 (800) 227-4116 FAX (888) 771-7713



ITEM	QTY.	DESCRIPTION	42" DEEP	48" DEEP
1	1	PLATFORM, 96" WIDE VEHICLE	260090-01	260090-02
		PLATFORM, 102" WIDE VEHICLE	260090-03	260090-04



# PLATFORM ASSEMBLY, BMR-44

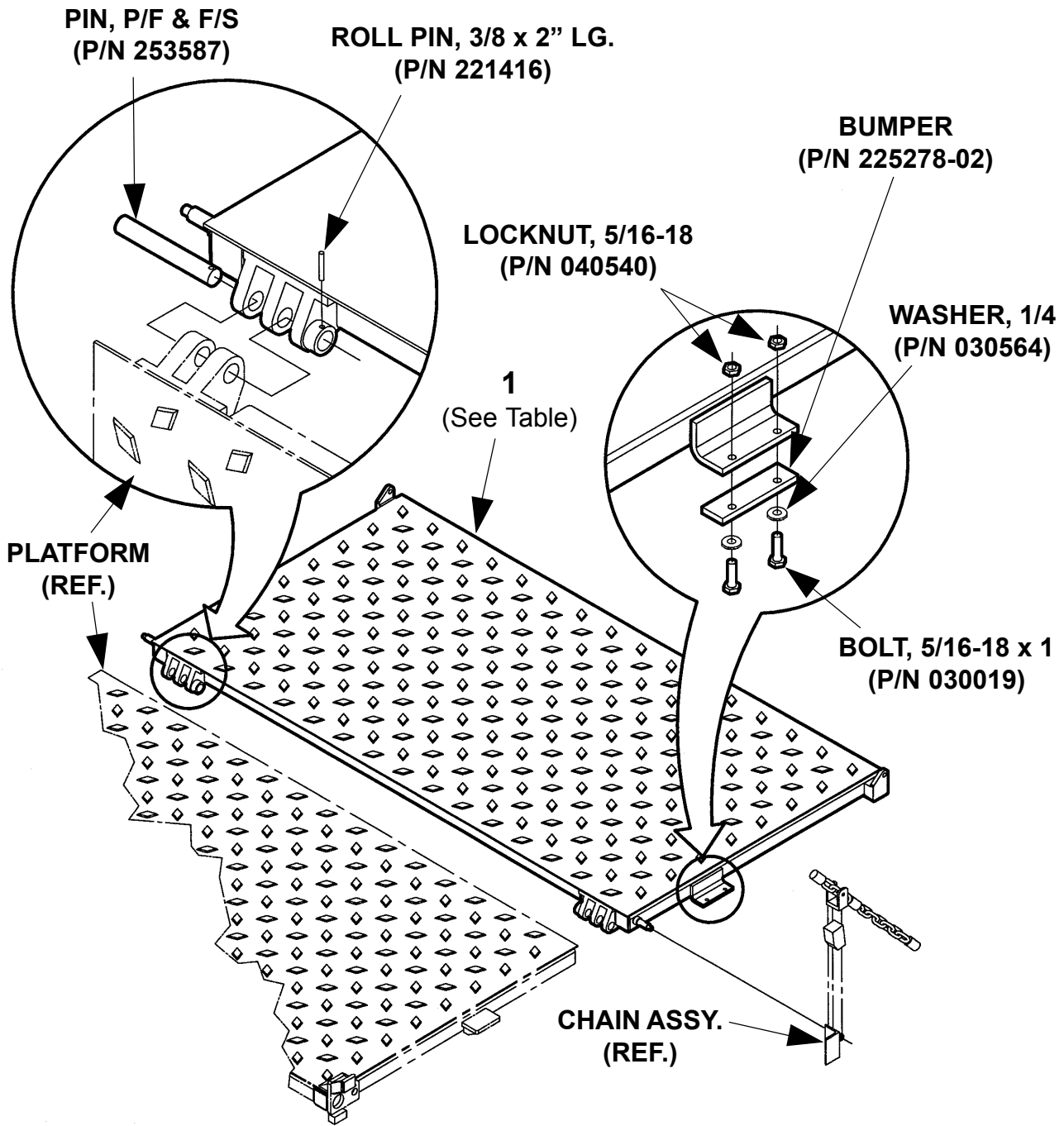


ITEM	QTY.	DESCRIPTION	30" DEEP	36" DEEP	42" DEEP
1	1	PLATFORM, 96" WIDE VEHICLE	253575-07	253575-08	253575-09
		PLATFORM, 102" WIDE VEHICLE	253575-10	253575-11	253575-12

# FOLDOVER ASSEMBLY BMR-44

**MAXON**<sup>®</sup>

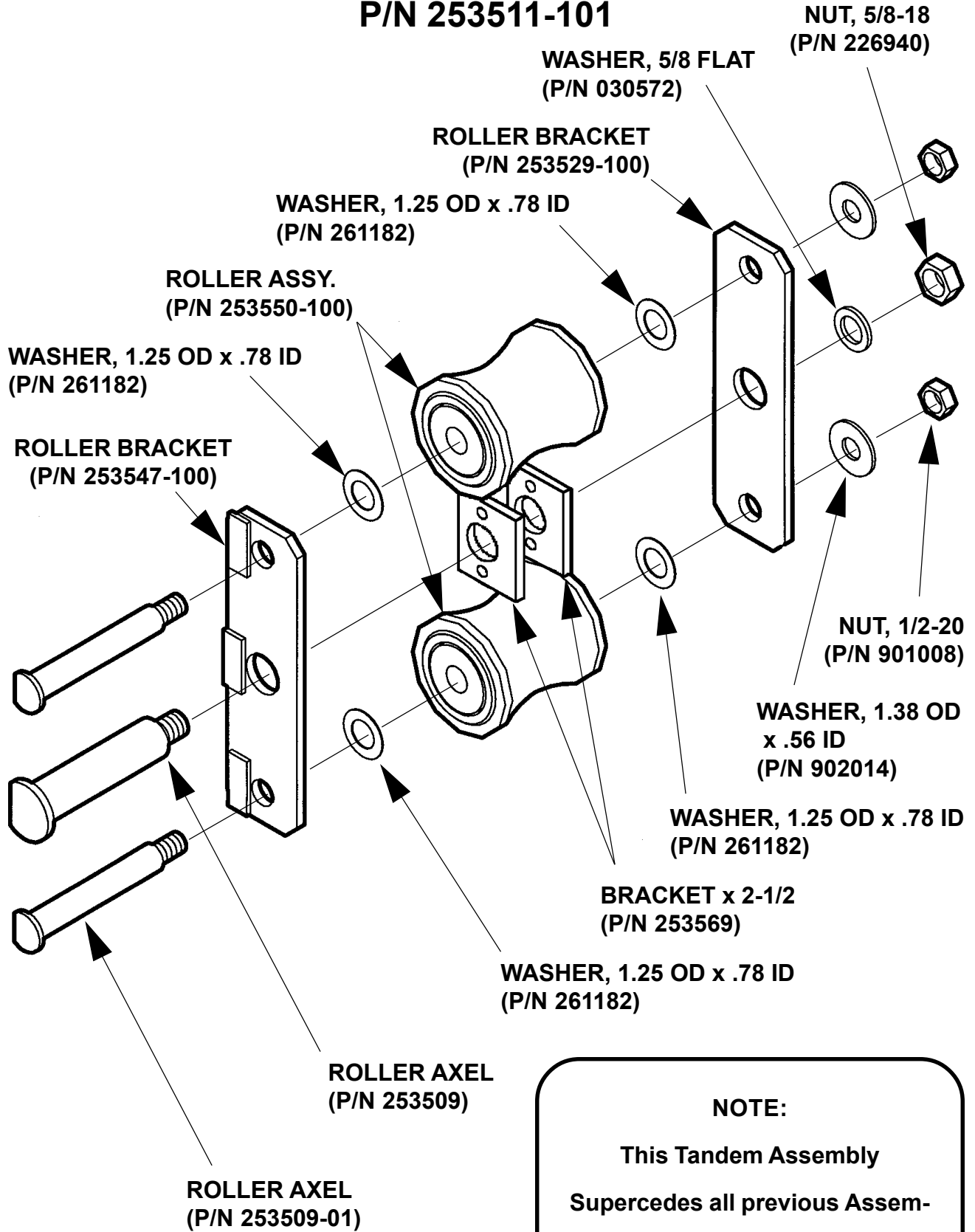
11921 Slauson Ave. Santa Fe Springs, CA. 90670 (800) 227-4116 FAX (888) 771-7713



ITEM	QTY.	DESCRIPTION	24" DEEP	30" DEEP	36" DEEP	42" DEEP
1	1	FOLDOVER, 96" WIDE VEHICLE	262527-13	262527-01	262527-02	262527-03
		FOLDOVER, 102" WIDE VEHICLE	262527-14	262527-04	262527-05	262527-06

# TANDEM ASSEMBLY

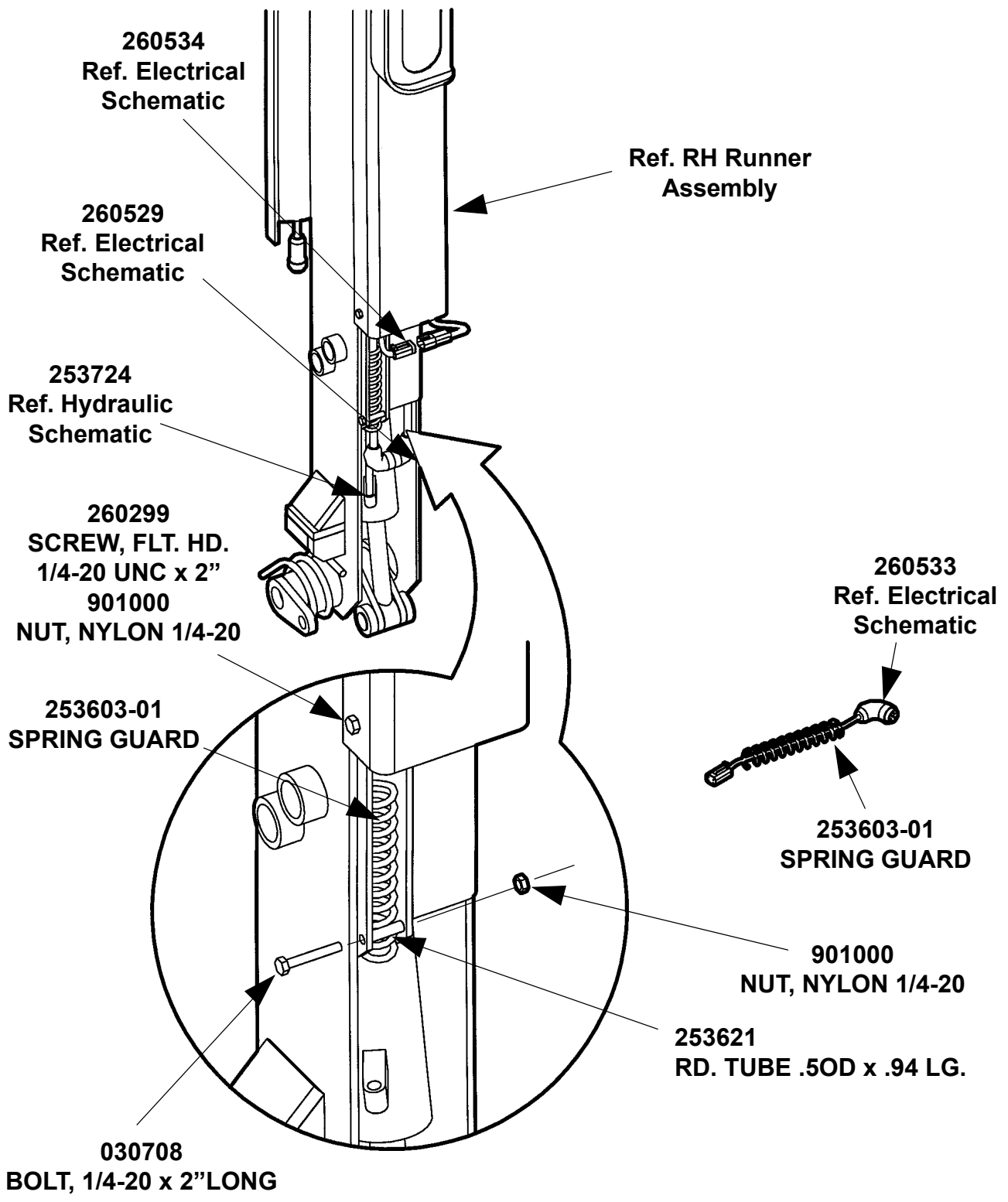
## P/N 253511-101



**NOTE:**  
 This Tandem Assembly  
 Supersedes all previous Assemblies and is fully compatible

# SPRING GUARD MOUNTING

**MAXON**<sup>®</sup>  
 11921 Slauson Ave. Santa Fe Springs, CA. 90670 (800) 227-4116 FAX (888) 771-7713

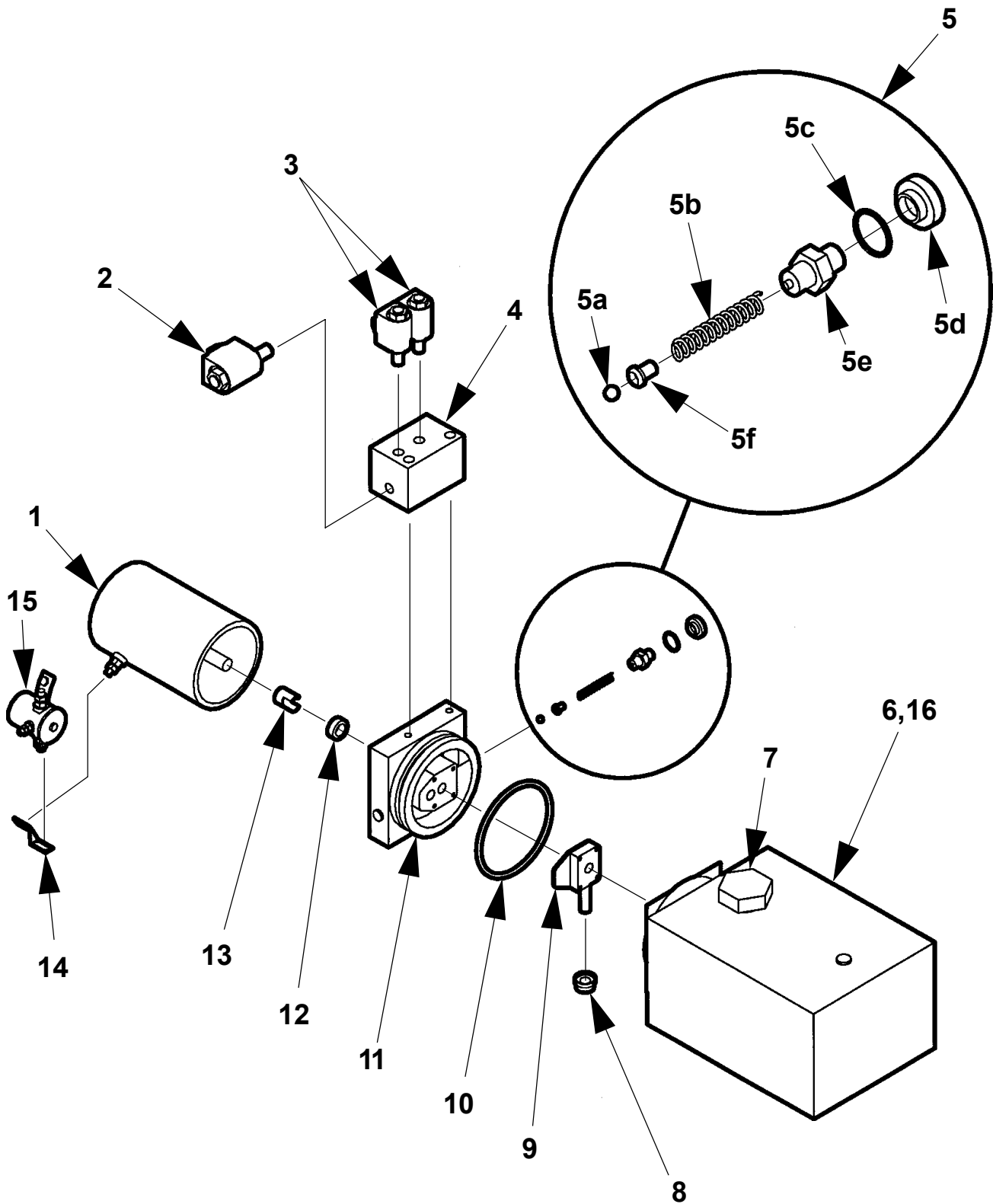


# HYDRAULIC SECTION

# PUMP 253515 (1994 TO JAN.1997)

**MAXON**®

11921 Slauson Ave. Santa Fe Springs, CA. 90670 (800) 227-4116 FAX (888) 771-7713



## PUMP 253515 (1994 TO JAN.1997)

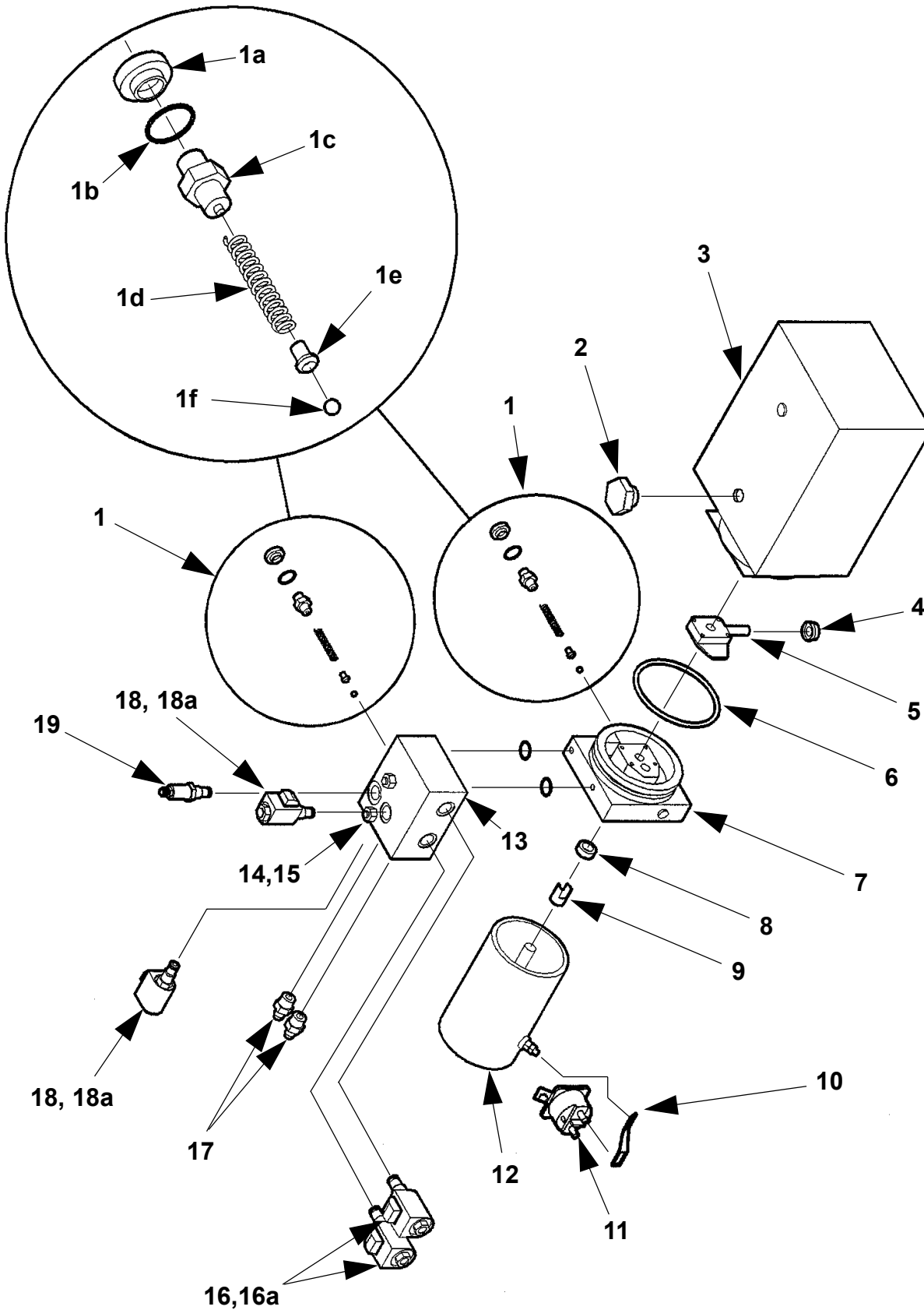
ITEM	QTY.	PART NO.	DESCRIPTION
1	1	250093	HEAVY DUTY MOTOR, 12 VDC
2	1	260276	VALVE, SOLENOID 4-WAY
*2a	1	226595	O-RING KIT, 4-WAY VALVE
3	2	253353	VALVE, SOLENOID 2-WAY
*3a	2	226594	O-RING KIT, 2-WAY VALVE
4	1	260275	MANIFOLD BLOCK ASSEMBLY
5	1	260229	RELIEF VALVE KIT
5a	1	260230	STEEL BALL
5b	1	260231	SPRING
5c	1	260235	O-RING
5d	1	260234	VALVE CAP
5e	1	260232	ADJUSTING SCREW
5f	1	260233	SPRING GUIDE
6	1	260263	RESERVOIR, 2.5 GAL.
7	1	229193	FILLER/BREATHING CAP
8	1	260250	FILTER
9	1	260236	PUMP ASSEMBLY
10	1	251884	O-RING
11	1	260274	DRIVEPLATE ASSEMBLY, 5"
12	1	260261	OIL SEAL
13	1	229200	COUPLING
14	1	229199	BUS BAR
15	1	260270	SOLENOID SWITCH
*16	4	229202	CAPSCREW, HEX HD. WASHER

\* NOT SHOWN

# PUMP 260545 (JAN.1997 TO PRESENT)

**MAXON**<sup>®</sup>

11921 Slauson Ave. Santa Fe Springs, CA. 90670 (800) 227-4116 FAX (888) 771-7713





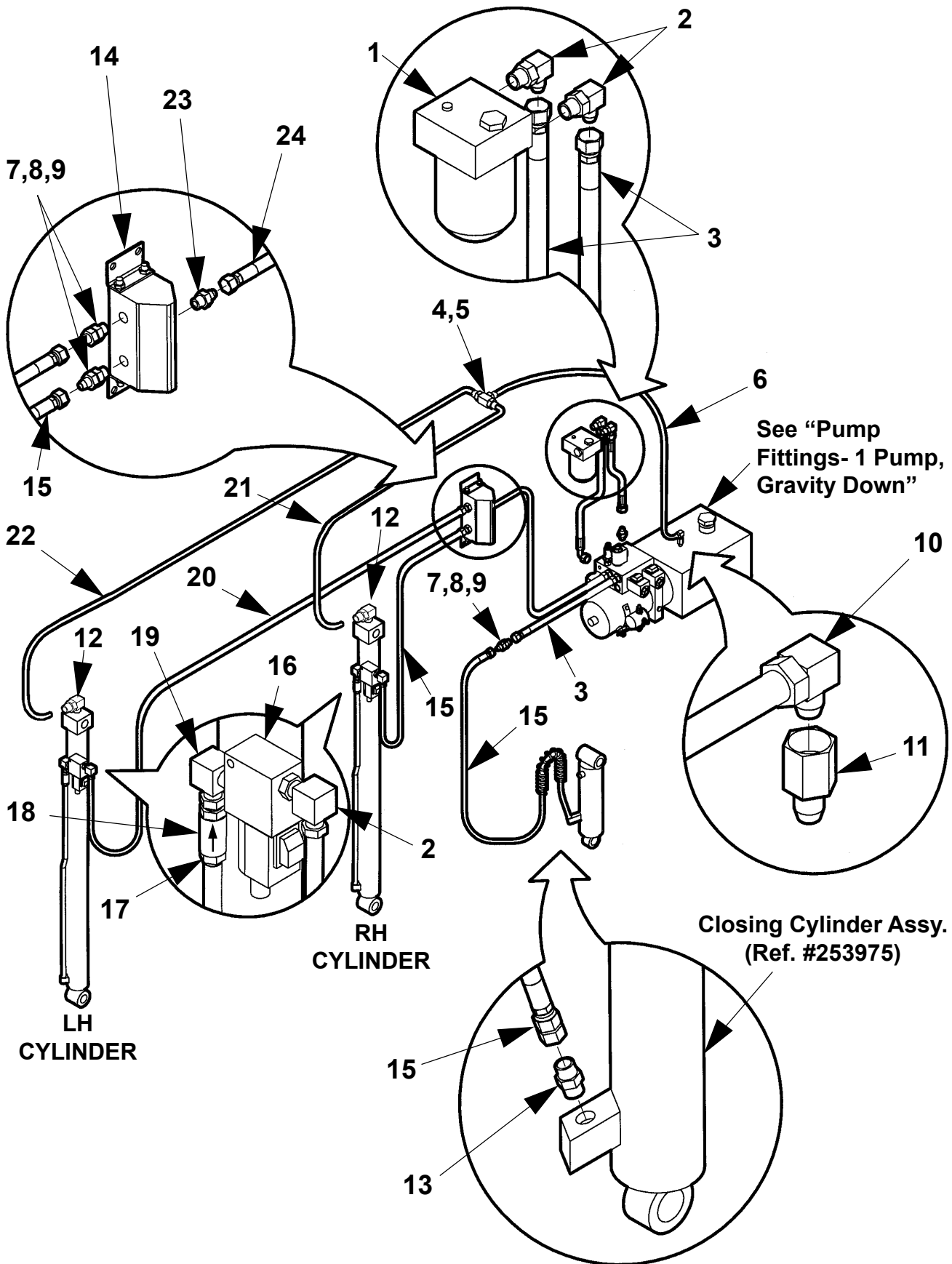
## PUMP 260545 (JAN.1997 TO PRESENT)

ITEM	QTY.	PART NO.	DESCRIPTION
1	2	260229	RELIEF VALVE KIT
1a	1	260234	VALVE CAP
1b	1	260235	O-RING
1c	1	260232	ADJUSTING SCREW
1d	1	260231	SPRING
1e	1	260233	SPRING GUIDE
1f	1	260230	STEEL BALL
2	1	260847	FILLER-BREATHER CAP
3	1	261106	RESERVOIR, 2.5 GAL.
4	1	260250	FILTER
5	1	260236	PUMP ASSEMBLY
6	1	251884	O-RING
7	1	260274	DRIVEPLATE ASSEMBLY 5"
8	1	260261	OIL SEAL
9	1	229200	COUPLING
10	1	262966	BUS BAR
11	1	262939	SOLENOID, PRESTOLITE
12	1	250093	HEAVY DUTY MOTOR, 12 VDC
13	1	261734	MANIFOLD BLOCK ASSEMBLY
14	2	262033	CONTROL, NEEDLE VALVE
15	2	262520	O-RING, NEEDLE VALVE
16	2	260276	VALVE, SOLENOID, 4-WAY
16a	2	226595	O-RING KIT, 4-WAY VALVE
17	2	253706	STR. UNION, SAE #8 x JIC #8 M-M
18	2	253353	VALVE, SOLENOID, 2-WAY
18a	2	226594	O-RING KIT, 2-WAY VALVE
19	1	260424	VALVE, RELIEF

# HYD. COMPONENTS, 1 PUMP GRAVITY DOWN

**MAXON**

11921 Slauson Ave. Santa Fe Springs, CA. 90670 (800) 227-4116 FAX (888) 771-7713



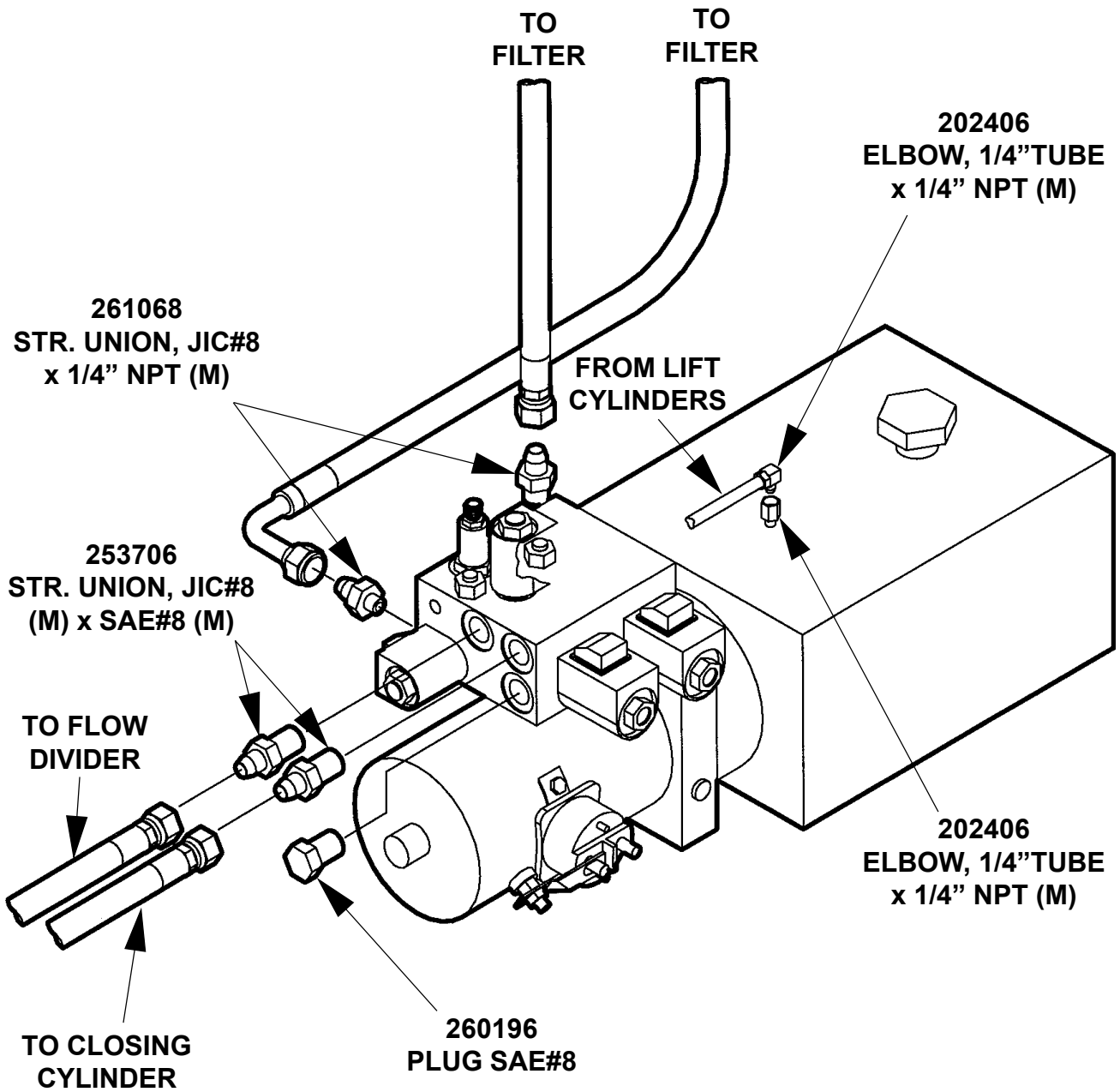
## HYD. COMPONENTS, 1 PUMP GRAVITY DOWN

ITEM	QTY.	PART NO.	DESCRIPTION
1	1	260920	SPIN-ON FILTER & BLOCK
1a	1	262412	FILTER ELEMENT
2	4	253712	ELBOW, JIC#8 x SAE#6 ADJUST.
3	3	253715	HOSE, 3/8HP JIC#8 F-F x 11-5/8"
4	1	800190	TEE, 1/4"
5	3	905141-04	STR. FTG 1/4 TUBE x 1/4 NPT (M)
6	1	224370-17	RETURN LINE HOSE 1/4" x 30" LG
7	3	261461	STR. BULKHEAD JIC#8
8	3	261462	NUT, BULKHEAD JIC#8
9	3	261182	WASHER, FLAT 1-1/4" x 3/4"
10	1	202406	ELBOW, 1/4 TUBE x 1/4 NPT (M)
11	1	800183	BUSHING, 3/8 NPT (M) x 1/4 NPT (F)
12	2	260117	ELBOW, 1/2" TUBE x 1/4" NPT
13	1	253723	STR. THD. SAE#6 X JIC#5
14	1	253513	FLOW DIVIDER
15	2	253707	HOSE, 3/8HP JIC#8 M-F x 40-11/16"
16	2	253942	HYD. LOCK VLV. W/MAN. OVERRIDE
17	2	253763	FTG 1/2" TUBE x 1/4" NPT (M)
18	2	253745	VALVE, PRESSURE COMP. 3 GPM
19	2	260164	ELBOW, SAE#6 (M) x 1/4 NPT (M)
20	1	253972	HOSE, 3/8HP JIC#8 M-F (SW) x 138"
21	1	224370-11	HOSE, PLASTIC 1/4" x 87" LONG
22	1	224370-10	HOSE, PLASTIC 1/4" x 177" LONG
23	1	253706	STR. THD. SAE#8 X JIC#8
24	1	253700	HOSE, 3/8HP JIC#8 F-F x 23-5/8"

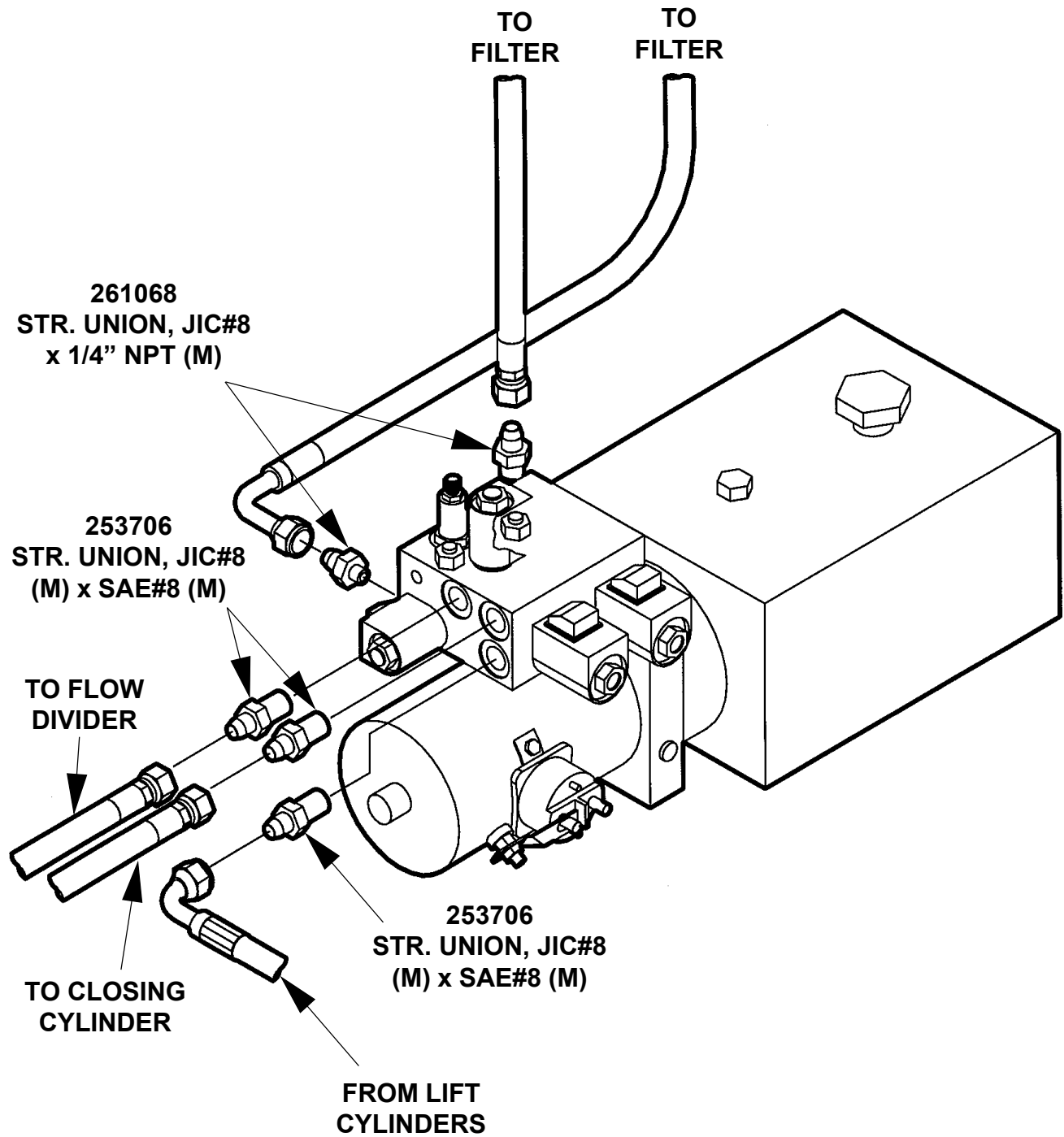
# PUMP FITTINGS, 1 PUMP GRAVITY DOWN

**MAXON**<sup>®</sup>

11921 Slauson Ave. Santa Fe Springs, CA. 90670 (800) 227-4116 FAX (888) 771-7713



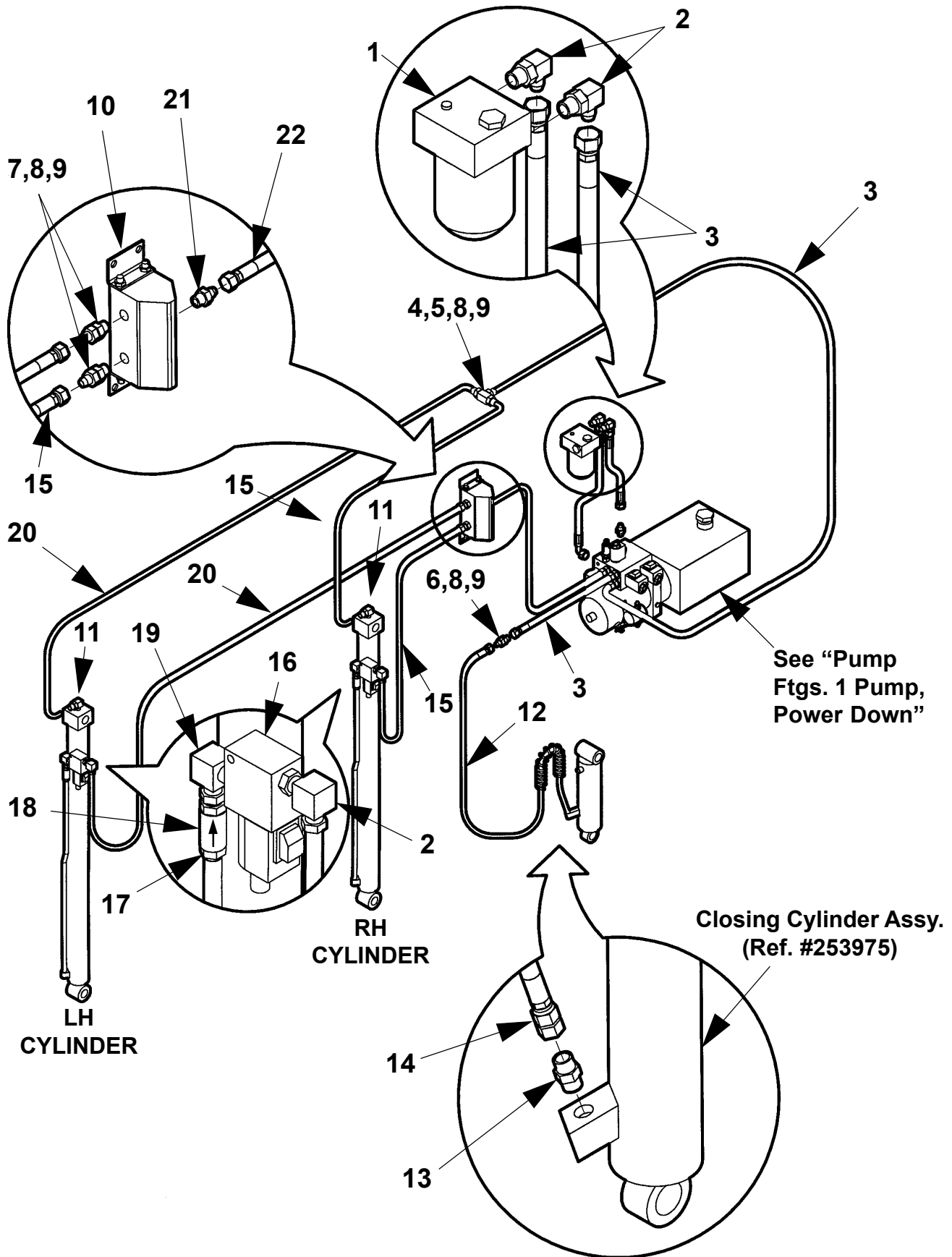
# PUMP FITTINGS, 1 PUMP POWER DOWN



# HYD. COMPONENTS, 1 PUMP POWER DOWN

**MAXON**

11921 Slauson Ave. Santa Fe Springs, CA. 90670 (800) 227-4116 FAX (888) 771-7713



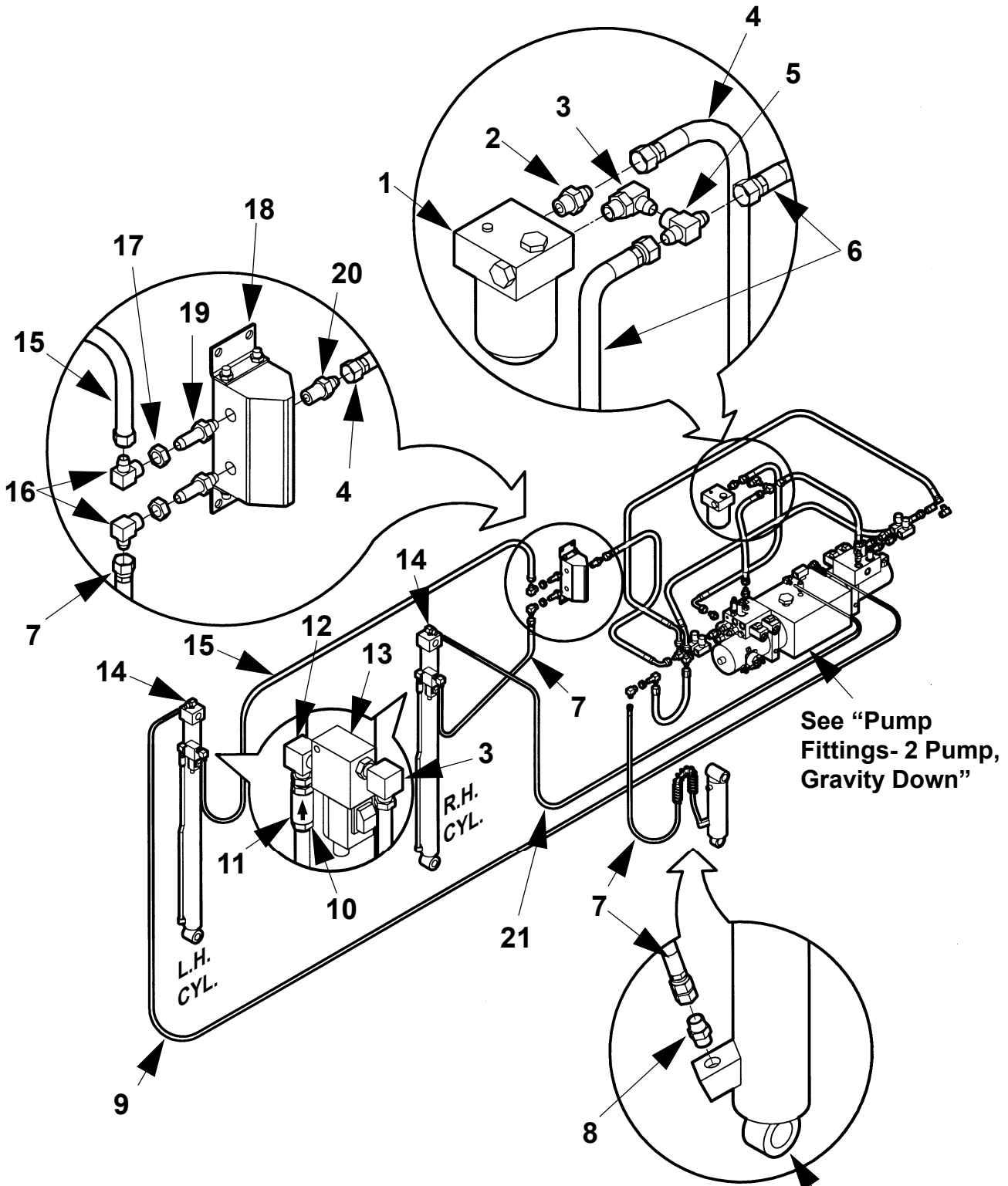
## HYD. COMPONENTS, 1 PUMP POWER DOWN

ITEM	QTY.	PART NO.	DESCRIPTION
1	1	260920	SPIN-ON FILTER & BLOCK
1a	1	262412	FILTER ELEMENT
2	4	253712	ELBOW, JIC#8 x SAE#6 ADJUST.
3	4	253715	HOSE, 3/8HP JIC#8 F-F x 11-5/8"
4	1	260976	TEE, JIC#8 BULKHEAD
5	2	260120	ELBOW, M JIC#8 x F SWVL. JIC#8
6	1	261463	ELBOW, BULKHEAD JIC#8
7	2	261461	STR. BULKHEAD JIC#8
8	4	261462	NUT, BULKHEAD JIC#8
9	4	261182	WASHER, FLAT 1-1/4" x 3/4"
10	1	253513	FLOW DIVIDER
11	2	260117	ELBOW, 1/2" TUBE x 1/4" NPT
12	1	253779	HOSE, 3/8HP JIC#8 M-M x 41-1/8"
13	1	253723	STR. THD. SAE#6 X JIC#5
14	1	253724	HOSE, 1/4HP JIC#5 x JIC#6 x 41-3/4"
15	2	253707	HOSE, 3/8HP JIC#8 M-F x 40-11/16"
16	2	253942	HYD. LOCK VLV. W/MAN. OVERRIDE
17	2	253763	FTG. 1/2" TUBE x 1/4" NPT (M)
18	2	253745	VALVE, PRESSURE COMP. 3 GPM
19	2	260164	ELBOW, SAE#6 (M) x 1/4 NPT (M)
20	2	253972	HOSE, 3/8HP JIC#8 M-F (SW) x 138"
21	1	253706	STR. THD. SAE#8 X JIC#8
22	1	253700	HOSE, 3/8HP JIC#8 F-F x 23-5/8"

# HYD. COMPONENTS, 2 PUMP GRAVITY DOWN

**MAXON**

11921 Slauson Ave. Santa Fe Springs, CA. 90670 (800) 227-4116 FAX (888) 771-7713



See "Pump Fittings- 2 Pump, Gravity Down"

Closing Cylinder Assy.  
(Ref. #253975)



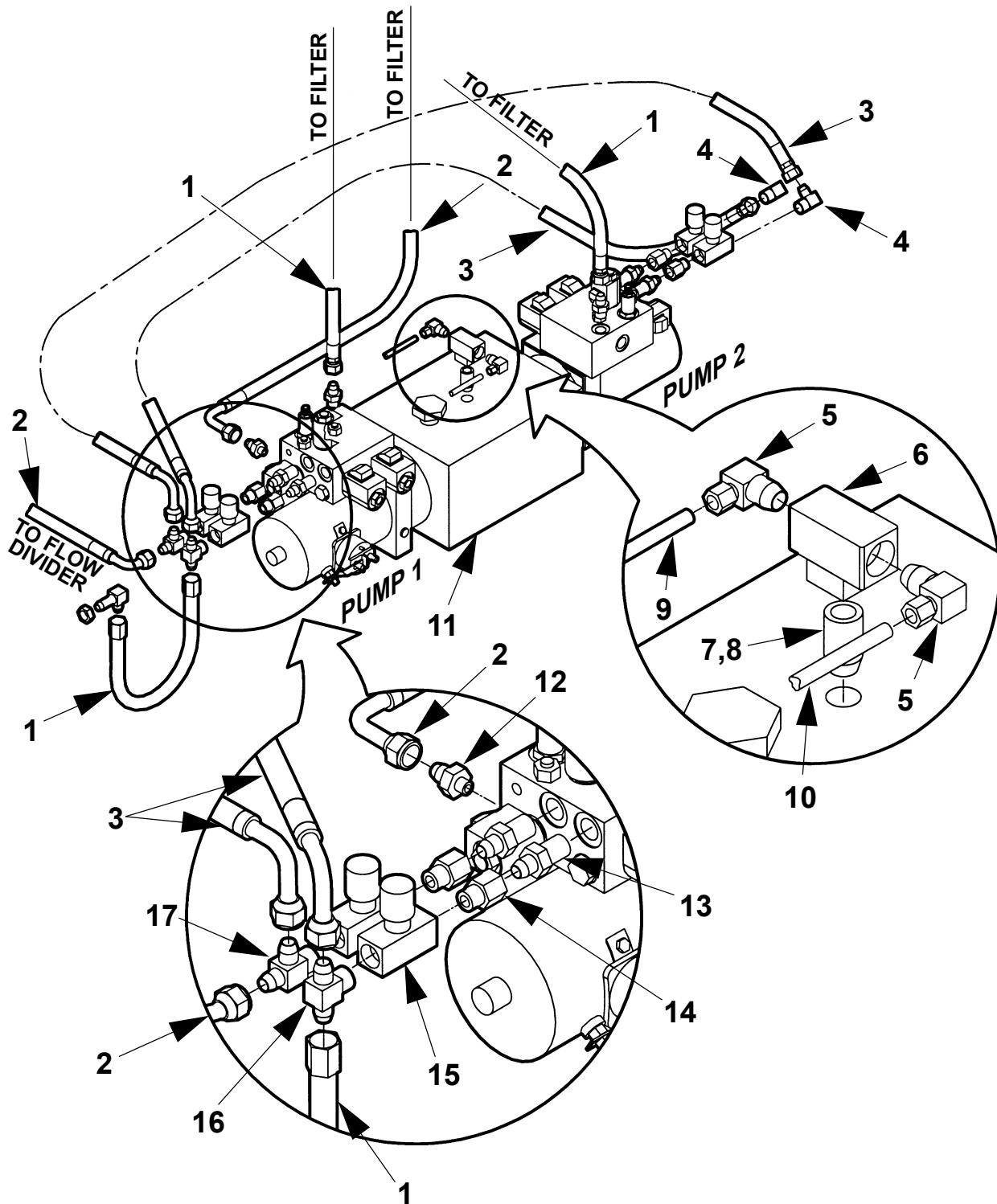
## HYD. COMPONENTS, 2 PUMP GRAVITY DOWN

ITEM	QTY.	PART NO.	DESCRIPTION
1	1	260920	SPIN-ON FILTER & BLOCK
1a	1	262412	FILTER ELEMENT
2	1	253701	STR. UNION MALE, JIC#8 x SAE #6
3	3	253712	ELBOW, JIC#8 x SAE#6 ADJUST.
4	2	253700	HOSE, 3/8HP JIC#8 F-F x 23-5/8"
5	1	260119	TEE, JIC#8, (M) x (F SWIVEL) x (M)
6	2	253715	HOSE, 3/8HP JIC#8 F-F x 11"
7	2	253707	HOSE, 3/8HP JIC#8 M-F x 40-11/16"
8	1	253723	STR. THD. SAE#6 X JIC#5
9	1	224370-10	HOSE, PLASTIC 1/4" x 177" LONG
10	2	253763	FTG. 1/2" TUBE x 1/4" NPT (M)
11	2	253745	VALVE, PRESSURE COMP. 3 GPM
12	2	260164	ELBOW, SAE#6 (M) x 1/4 NPT (M)
13	2	253942	HYD. LOCK VLV. W/MAN. OVERRIDE
14	2	260117	ELBOW, 1/2" TUBE x 1/4" NPT
15	1	253972	HOSE, 3/8HP JIC#8 M-F (SW) x 138"
16	2	260120	ELBOW, JIC#8 M x JIC#8 F (SW)
17	2	261462	NUT, BULKHEAD JIC#8
18	1	253513	FLOW DIVIDER
19	2	261461	STR. UNION JIC#8 (M) BULKHEAD
20	1	253706	STR. THD. SAE#8 X JIC#8
21	1	224370-11	HOSE, PLASTIC 1/4" x 87" LONG

# PUMP FITTINGS, 2 PUMP GRAVITY DOWN

**MAXON**®

11921 Slauson Ave. Santa Fe Springs, CA. 90670 (800) 227-4116 FAX (888) 771-7713



## PUMP FITTINGS, 2 PUMP GRAVITY DOWN

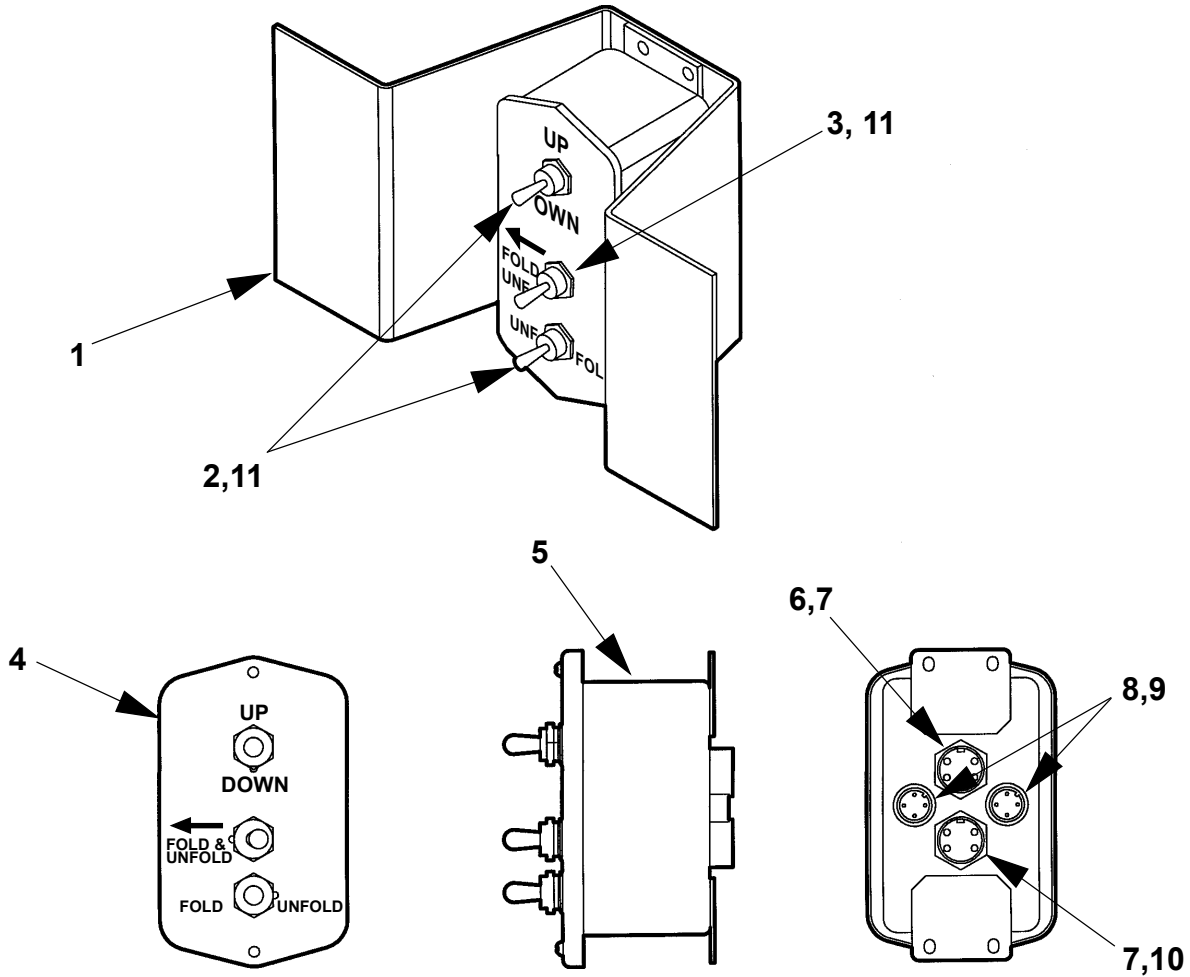
ITEM	QTY.	PART NO.	DESCRIPTION
1	2	253715	HOSE ASSY. 3/8 HP JIC#8 (F-F) x 11"
2	2	253700	HOSE ASSY. 3/8 HP JIC#8 (F-F) x 23"
3	2	261078	HOSE ASSY. 3/8 HP JIC#8 (F-F) x 40"
4	2	040395	ELBOW, 90° 3/8 NPT(M) x JIC#8 (M)
5	2	202406	ELBOW, 90° 1/4 NPT(M) x 1/4 TUBE
6	1	800190	TEE, 1/4 NPT (F)
7	1	800183	BUSHING, 3/8 NPT(M) x 1/4 NPT(F)
8	1	800126	NIPPLE, CLOSE 1/4 NPT (SCH. 80)
9	1	224370-11	HOSE, PLASTIC 1/4" x 87" LG.
10	1	224370-10	HOSE, PLASTIC 1/4" x 177" LG.
11	1	260919	DUAL PUMP, 12 VDC
12	1	261068	STR. UNION 1/4 NPT(M) x JIC#8 (M)
13	4	253706	UNION SAE#8 (M)x JIC#8 SWIVEL (M)
14	4	253705	UNION 3/8NPT (M)x JIC#8 SWIVEL (F)
15	4	260490	VALVE, NEEDLE 3/8 NPT (F)
16	1	261464	TEE, JIC#8(M)x 3/8 NPT(M)x JIC#8(M)
17	1	260503	TEE, 3/8 NPT(M)x JIC#8(M)x JIC#8(M)

**MAXON**<sup>®</sup>

11921 Slauson Ave. Santa Fe Springs, CA. 90670 (800) 227-4116 FAX (888) 771-7713

# ELECTRICAL SECTION

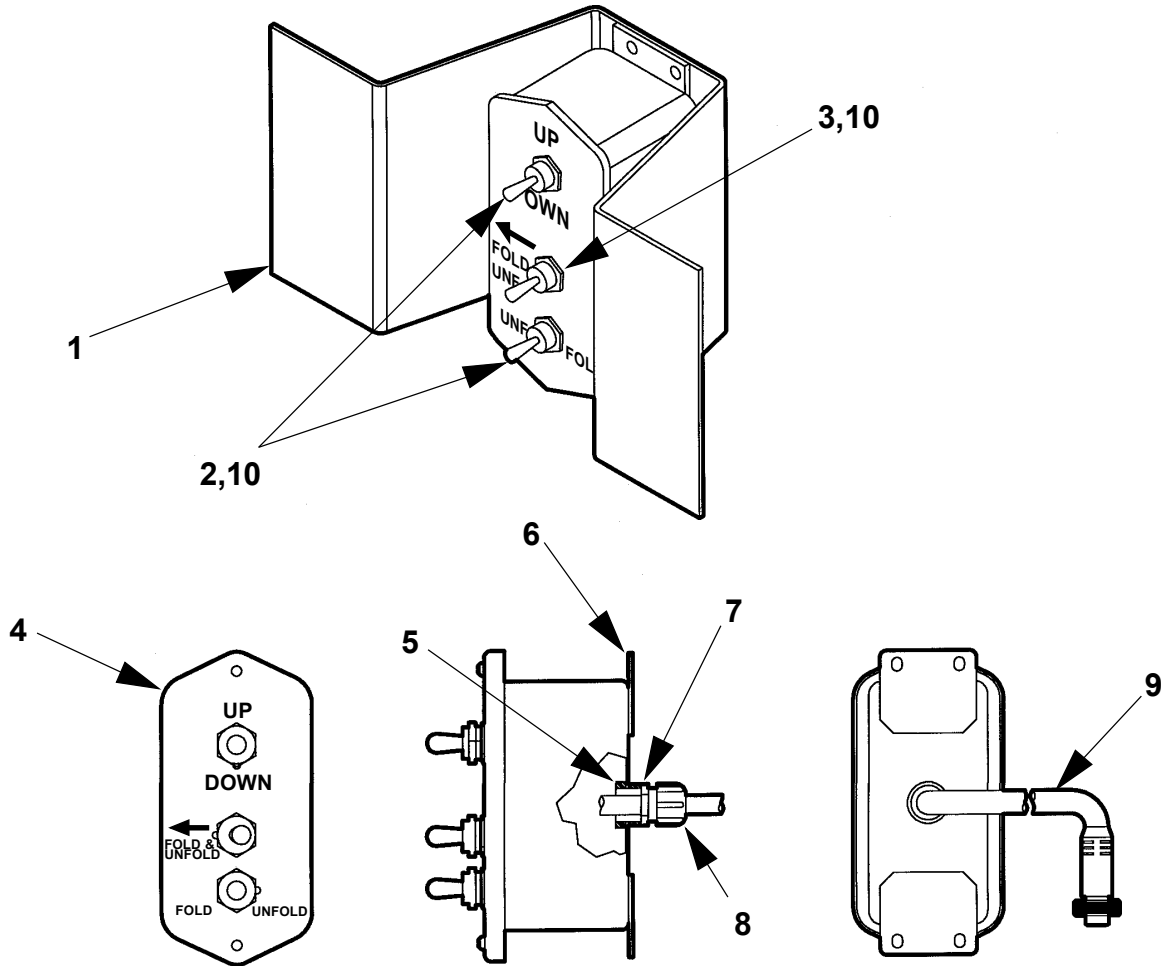
# CONTROL BOX GRAVITY DOWN (NEW STYLE) P/N 261167



ITEM	QTY.	PART NO.	DESCRIPTION
1	1	260896	BRACKET, MTG. SWITCH CNTRL BOX
2	2	224849	SWITCH, TOGGLE, 6 TERMINAL
3	1	253971	SWITCH, TOGGLE 2 POS. DBL. POLE
4	1	261173-03	BOX, COVER
5	1	261173-01	CONTROL BOX
6	1	261175	RECEPTACLE ASSY, FEMALE 5 POLE
7	2	253190	NUT, 1/2"
8	2	263296	RECEPTACLE ASSY, FEMALE 3 POLE
9	2	261181	NUT, 1/4"
10	1	261174	RECEPTACLE ASSY, FEMALE 4 POLE
11	3	250876	BOOT, SWITCH RUBBER SEAL

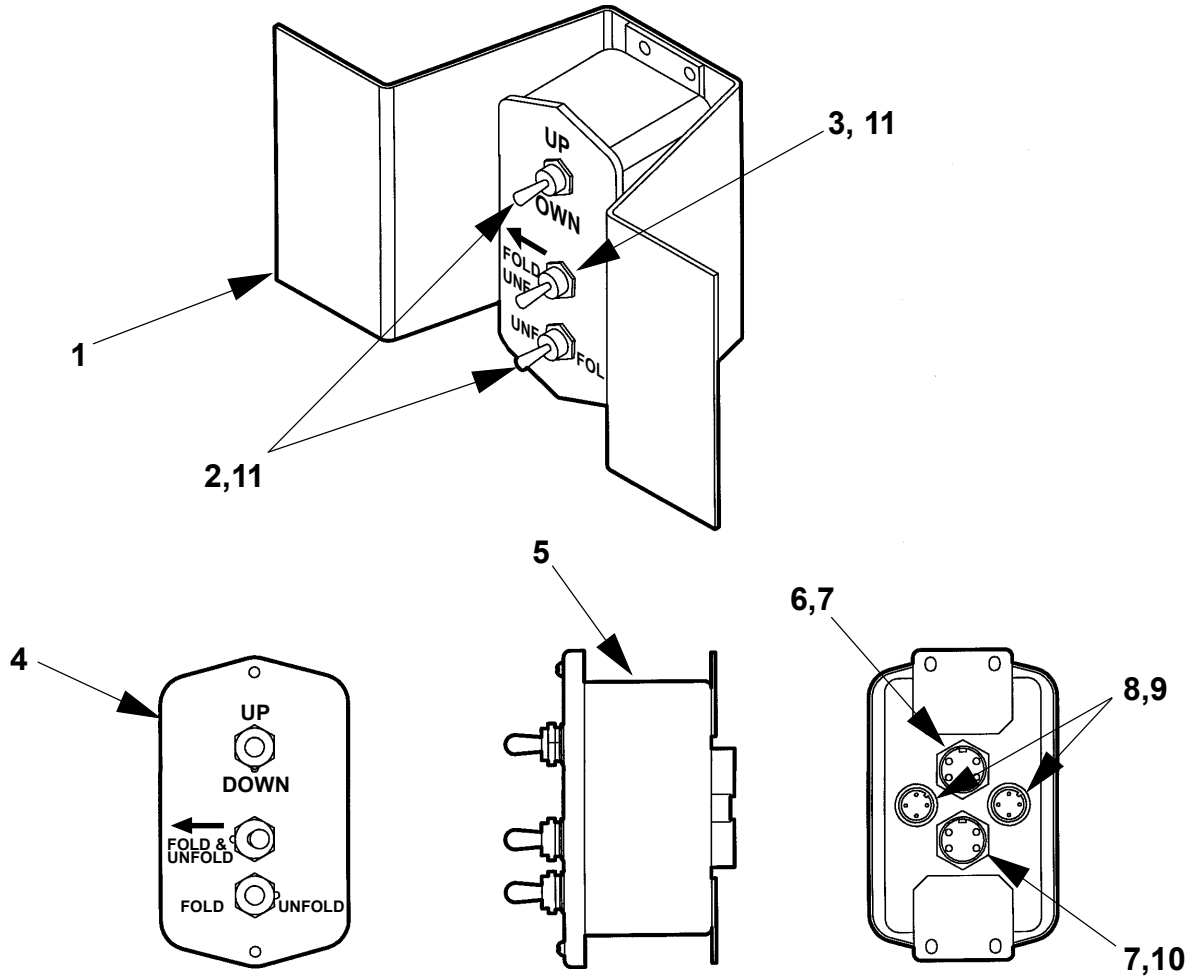
# CONTROL BOX GRAVITY DOWN (OLD STYLE)

## P/N 253727-100



ITEM	QTY.	PART NO.	DESCRIPTION
1	1	260896	BRACKET, MTG. SWITCH CNTRL BOX
2	2	224849	SWITCH, TOGGLE, 6 TERMINAL
3	1	253971	SWITCH, TOGGLE 2 POS. DBL. POLE
4	1	260292	BOX, COVER
5	1	253190	NUT, 1/2" WATERTIGHT FITTING
6	1	260291	CONTROL BOX
7	1	260290	SPACER, SMALL BOX
8	1	213226	CONNECTOR, WATERTIGHT
9	1	253784	CABLE ASSY. 5 POLE x 6FT.
10	3	250876	BOOT, SWITCH RUBBER SEAL

# CONTROL BOX POWER DOWN (NEW STYLE) P/N 261167-01

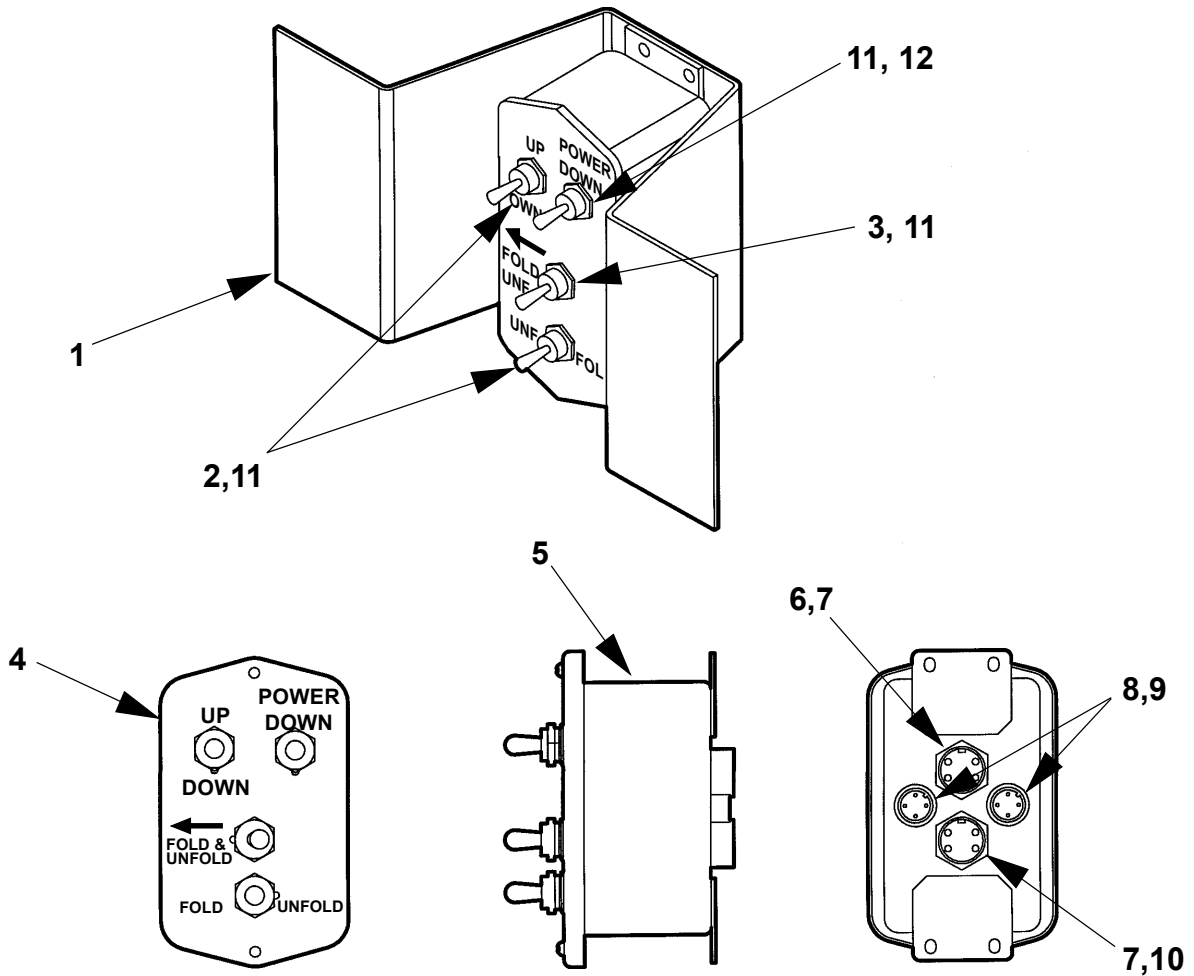


ITEM	QTY.	PART NO.	DESCRIPTION
1	1	260896	BRACKET, MTG SWITCH CNTRL BOX
2	2	224849	SWITCH, TOGGLE, 6 TERMINAL
3	1	253971	SWITCH, TOGGLE 2 POS. DBL. POLE
4	1	261173-03	BOX, COVER
5	1	261173-01	CONTROL BOX
6	1	261175	RECEPTACLE ASSY, FEMALE 5 POLE
7	2	253190	NUT, 1/2"
8	2	263296	RECEPTACLE ASSY, FEMALE 3 POLE
9	2	261181	NUT, 1/4"
10	1	261174	RECEPTACLE ASSY, FEMALE 4 POLE
11	3	250876	BOOT, SWITCH RUBBER SEAL



# CONTROL BOX POWER DOWN (OLD STYLE)

## P/N 261167-100

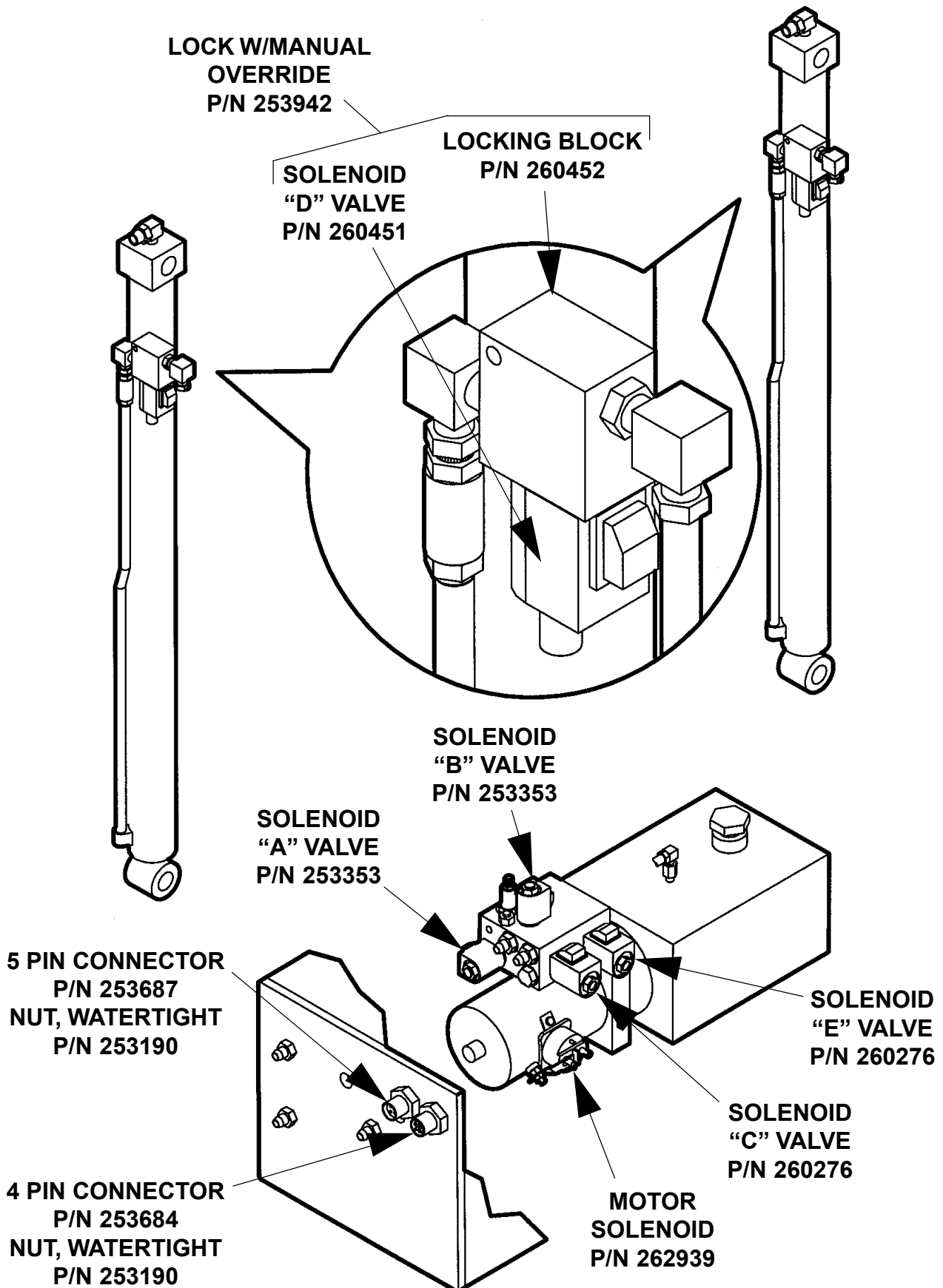


ITEM	QTY.	PART NO.	DESCRIPTION
1	1	260896	BRACKET, MTG SWITCH CNTRL BOX
2	2	224849	SWITCH, TOGGLE, 6 TERMINAL
3	1	253971	SWITCH, TOGGLE 2 POS. DBL. POLE
4	1	261173-02	BOX, COVER
5	1	263501	CONTROL BOX & COVER REWORKED
6	1	261175	RECEPTACLE ASSY, FEMALE 5 POLE
7	2	253190	NUT, 1/2"
8	2	261171	RECEPTACLE ASSY, MALE 3 POLE
9	2	261181	NUT, 1/4"
10	1	261174	RECEPTACLE ASSY, FEMALE 4 POLE
11	4	250876	BOOT, SWITCH RUBBER SEAL
12	1	261203	SWITCH, TOGGLE 2 POS. SGL. POLE

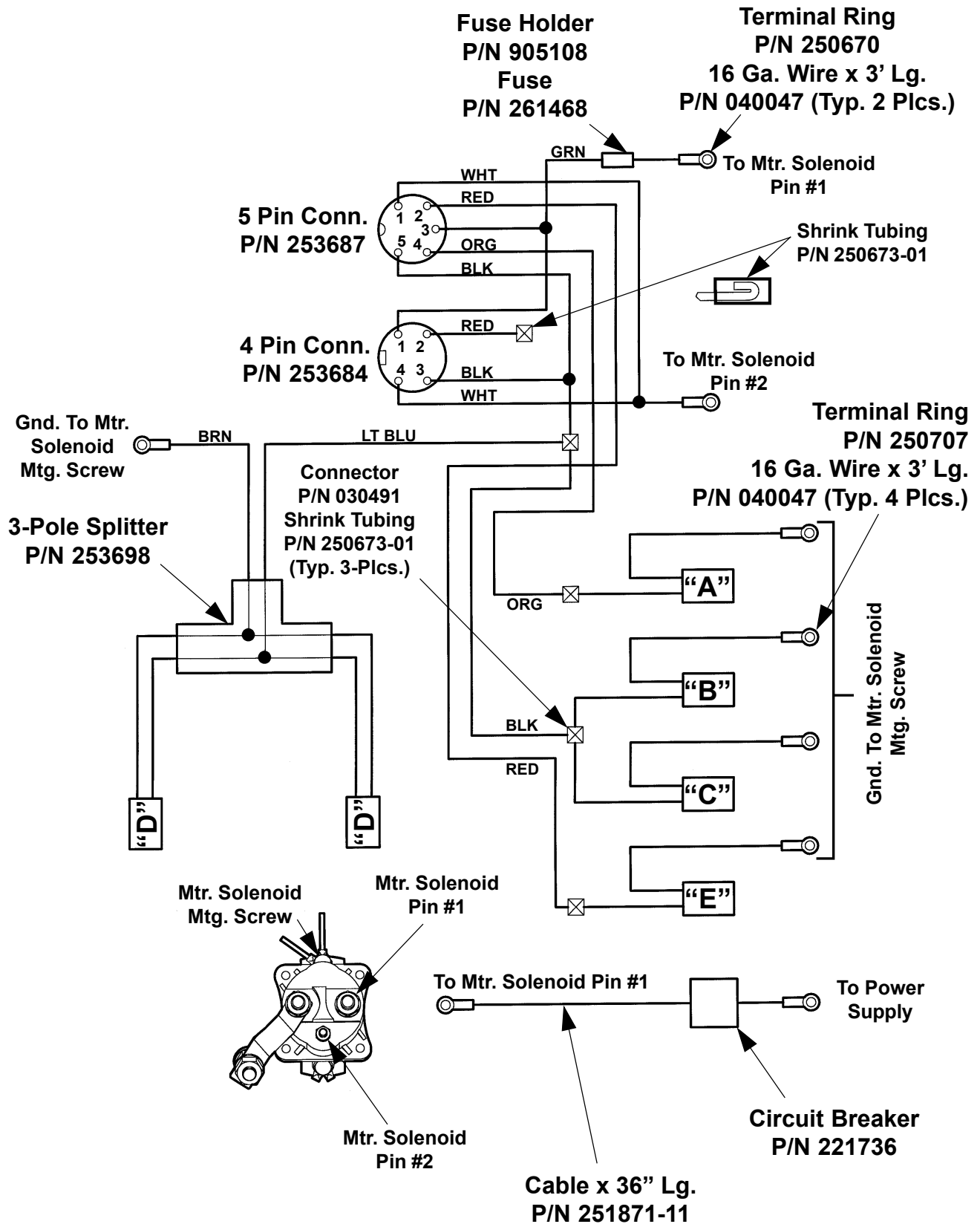
# WIRING, 1 PUMP GRAVITY DOWN

**MAXON**<sup>®</sup>

11921 Slauson Ave. Santa Fe Springs, CA. 90670 (800) 227-4116 FAX (888) 771-7713



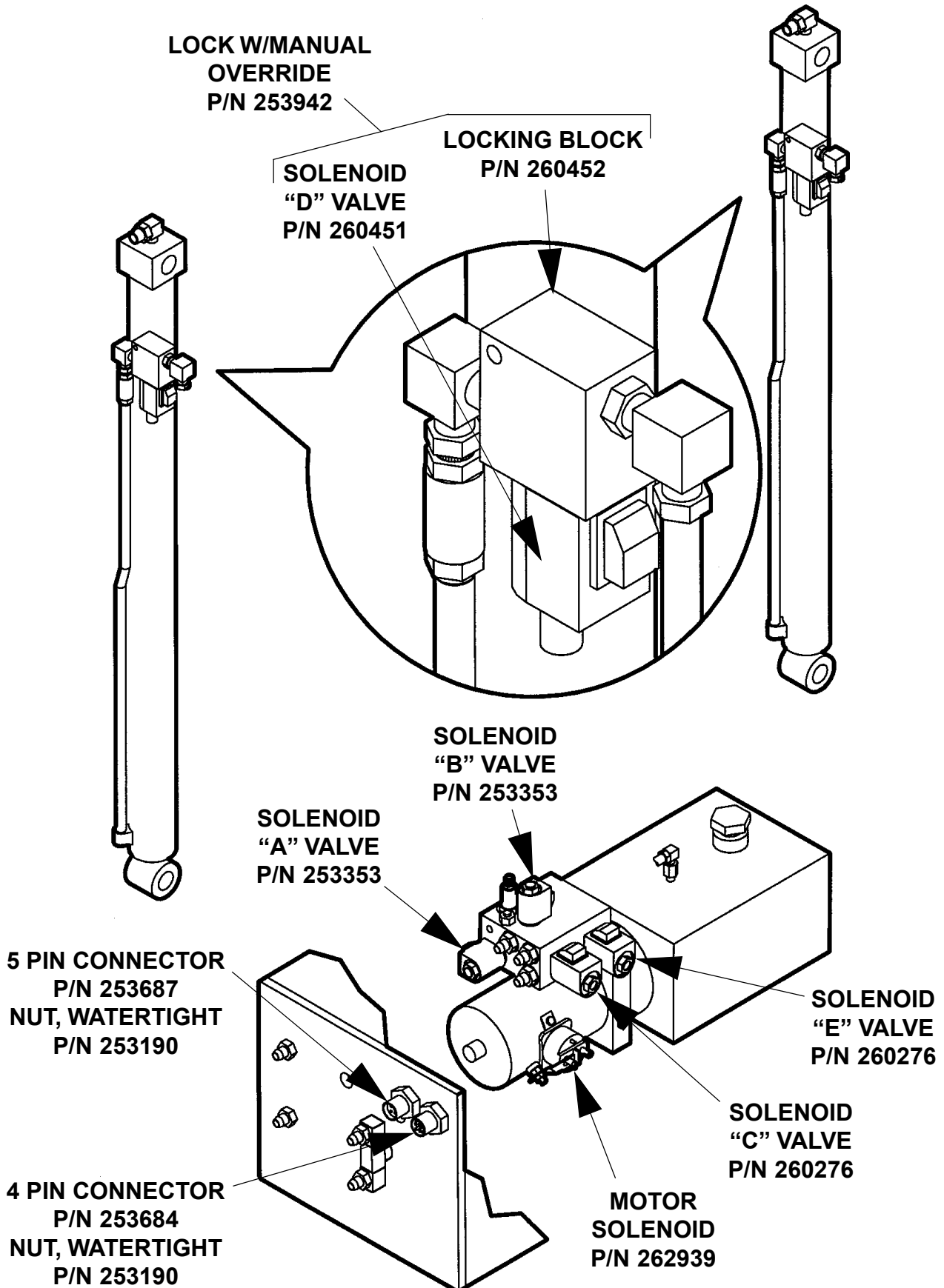
# WIRING, 1 PUMP GRAVITY DOWN



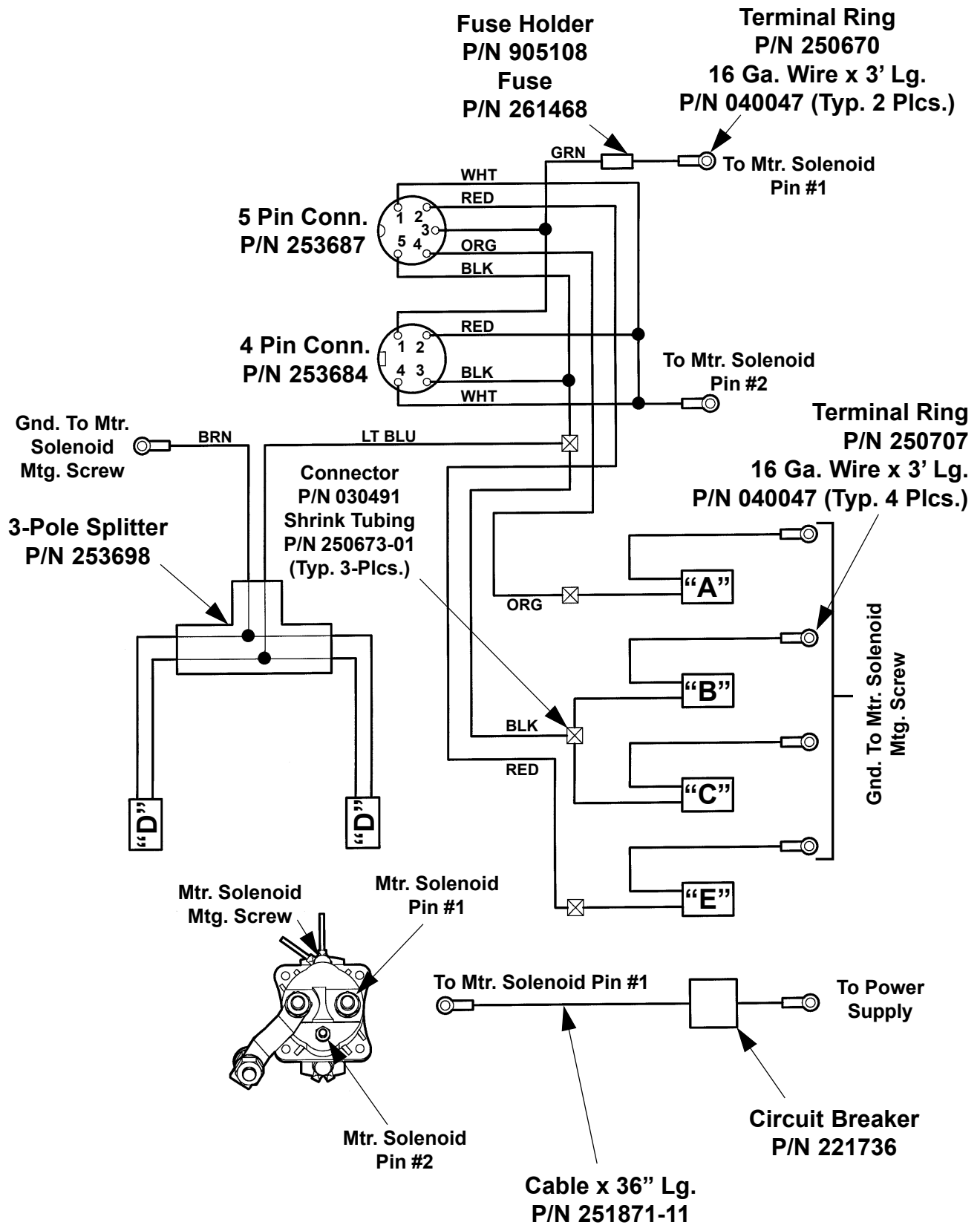
# WIRING, 1 PUMP POWER DOWN

**MAXON**<sup>®</sup>

11921 Slauson Ave. Santa Fe Springs, CA. 90670 (800) 227-4116 FAX (888) 771-7713



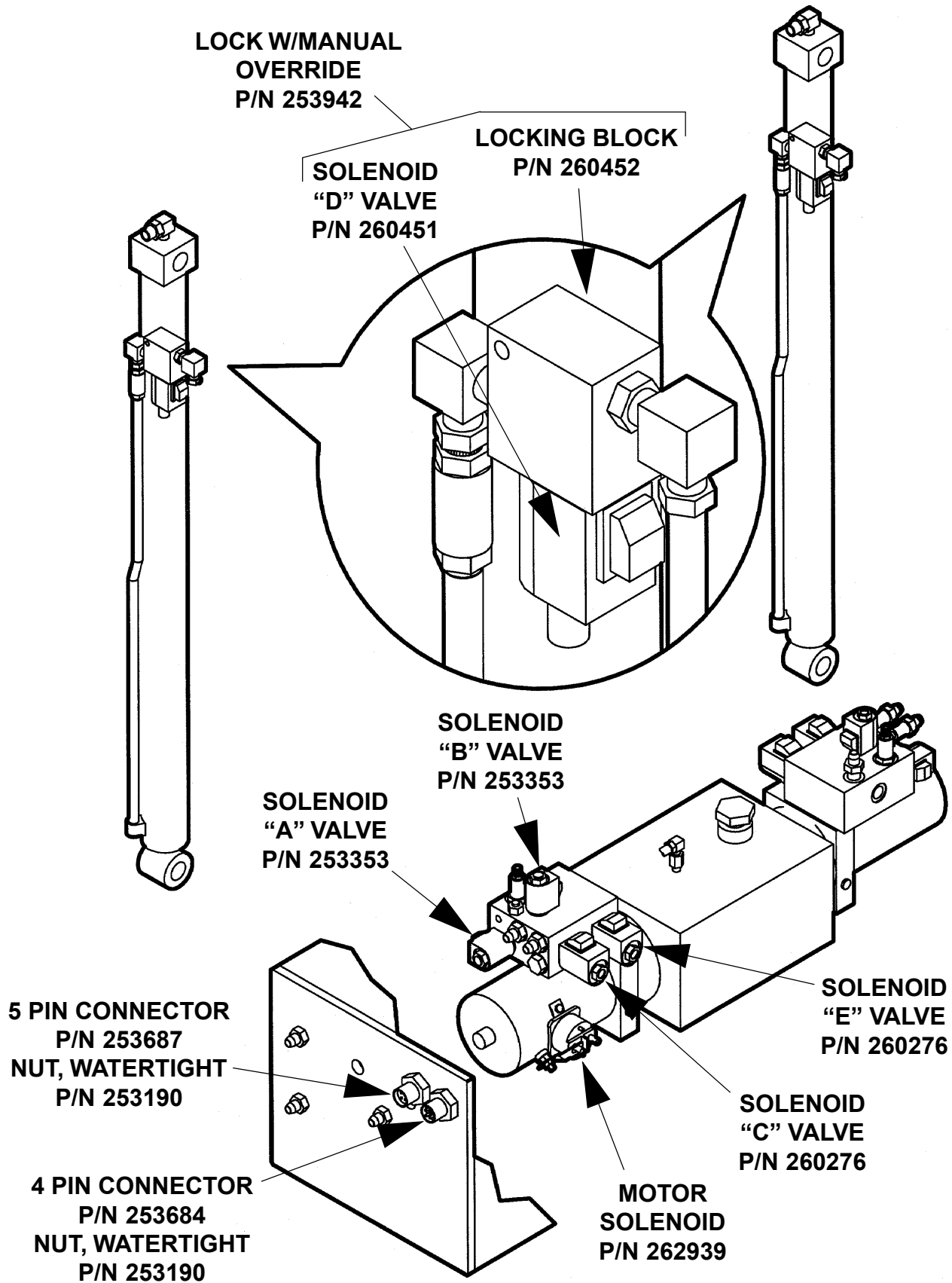
# WIRING, 1 PUMP POWER DOWN



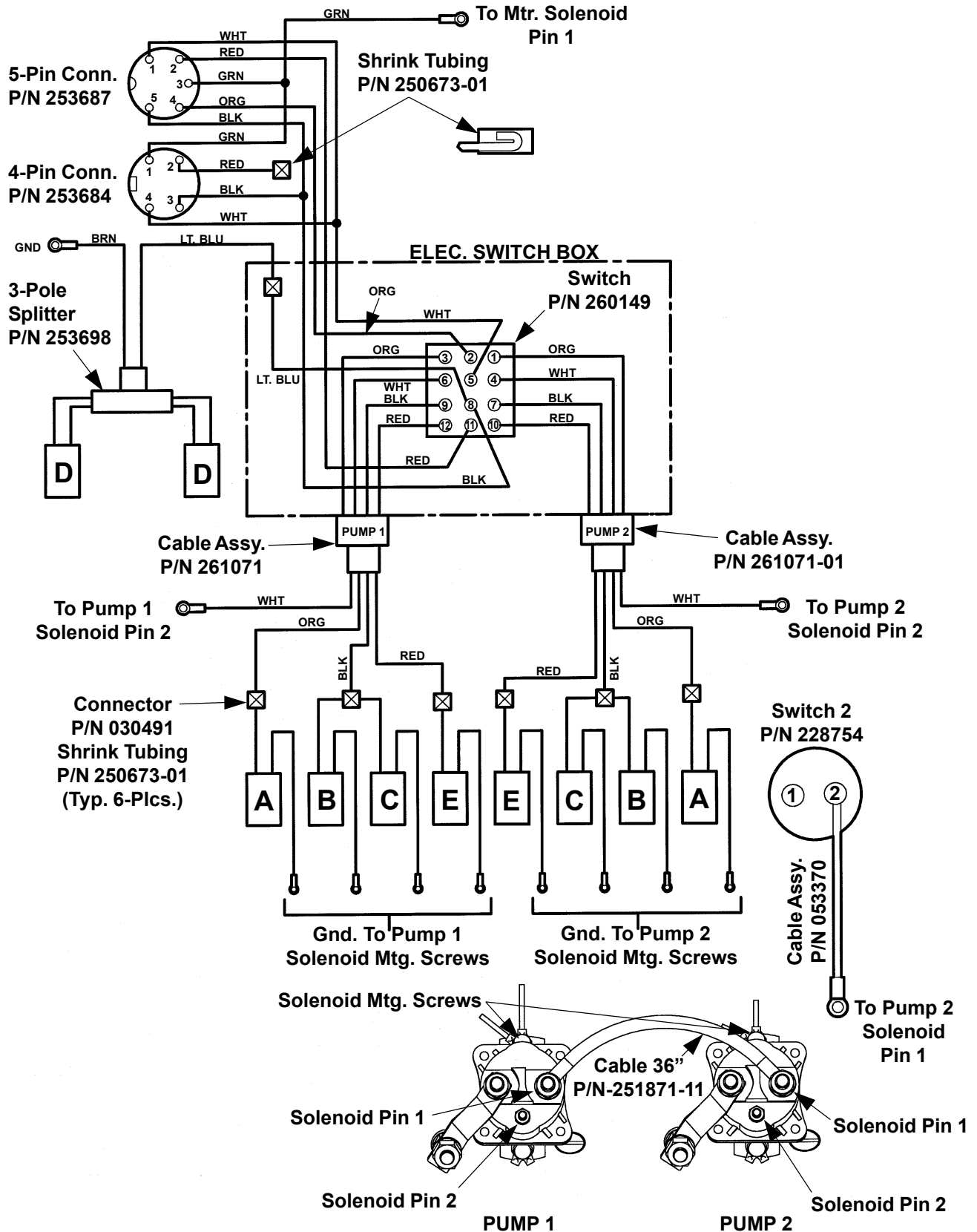
# WIRING, 2 PUMP GRAVITY DOWN

**MAXON**<sup>®</sup>

11921 Slauson Ave. Santa Fe Springs, CA. 90670 (800) 227-4116 FAX (888) 771-7713



# WIRING, 2 PUMP GRAVITY DOWN

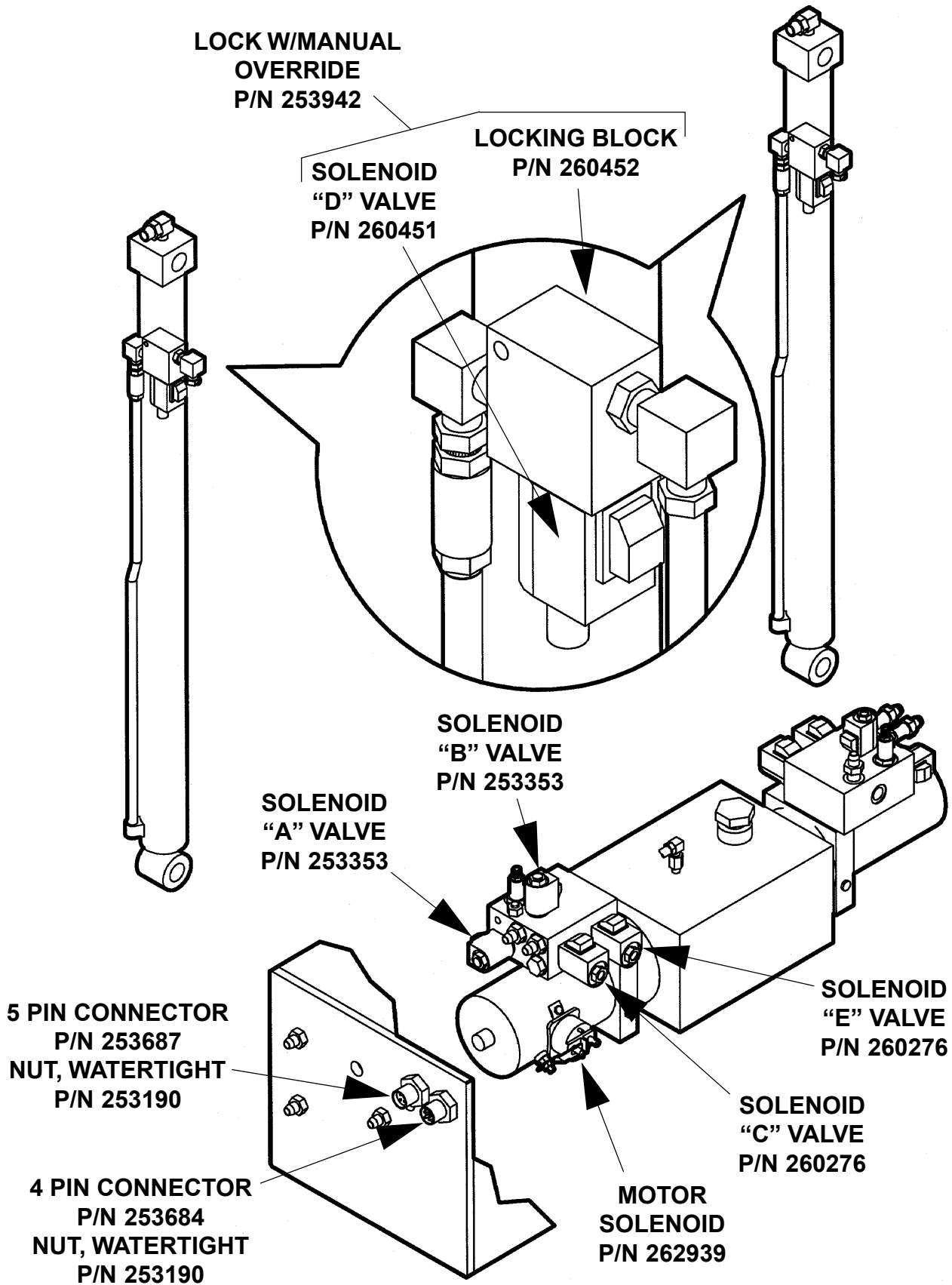


**MAXON** 11921 Slauson Ave. Santa Fe Springs, CA. 90670 (800) 227-4116 FAX (888) 771-7713

# WIRING, 2 PUMP POWER DOWN

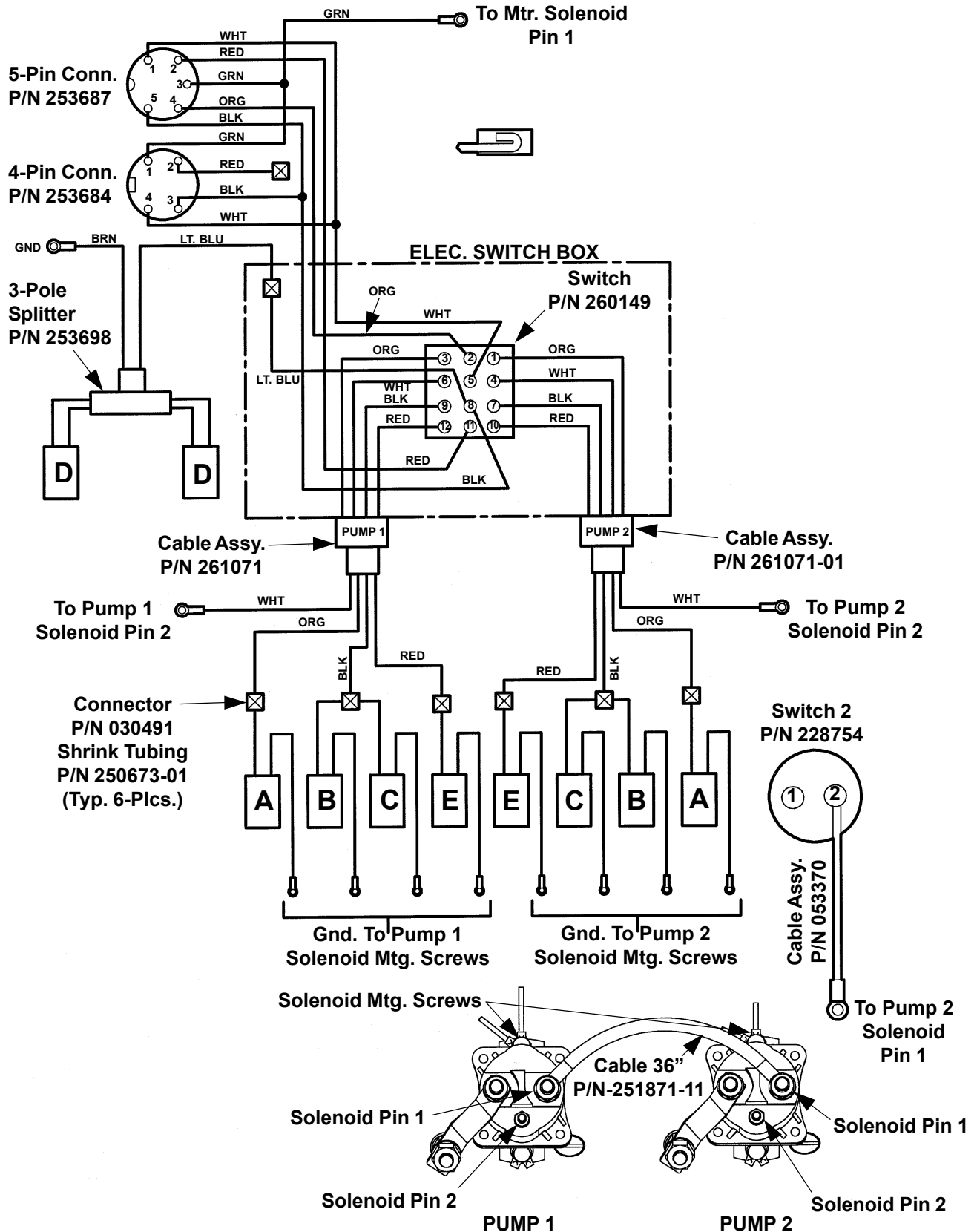
**MAXON**<sup>®</sup>

11921 Slauson Ave. Santa Fe Springs, CA. 90670 (800) 227-4116 FAX (888) 771-7713





# WIRING, 2 PUMP POWER DOWN



**MAXON** 11921 Slauson Ave. Santa Fe Springs, CA. 90670 (800) 227-4116 FAX (888) 771-7713

**MAXON**<sup>®</sup>

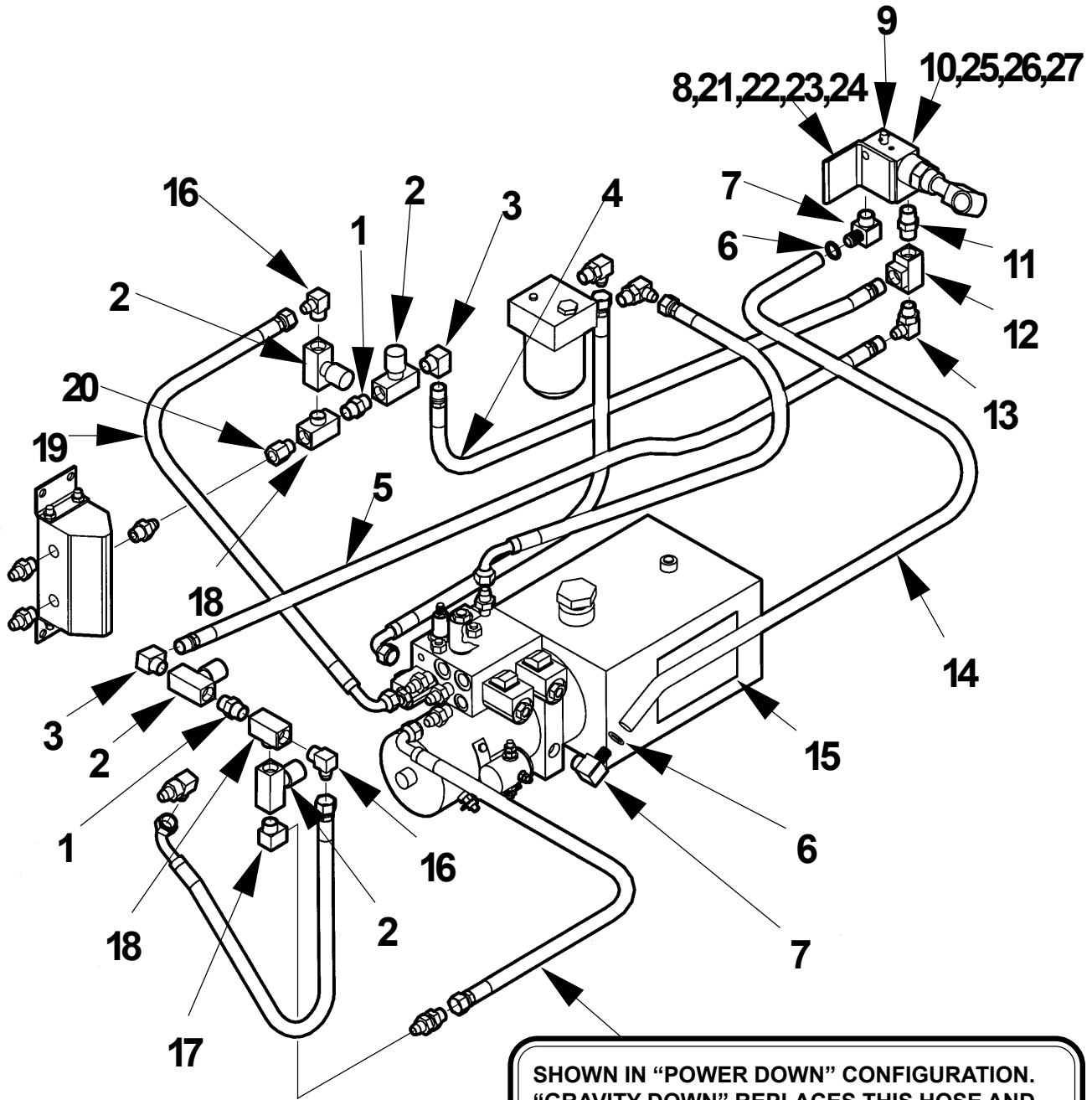
11921 Slauson Ave. Santa Fe Springs, CA. 90670 (800) 227-4116 FAX (888) 771-7713

# OPTIONAL SECTION

# HAND PUMP KIT P/N 261604

**MAXON**<sup>®</sup>

11921 Slauson Ave. Santa Fe Springs, CA. 90670 (800) 227-4116 FAX (888) 771-7713



SHOWN IN "POWER DOWN" CONFIGURATION.  
"GRAVITY DOWN" REPLACES THIS HOSE AND  
FITTINGS WITH A PLUG IN THE MANIFOLD.

# HAND PUMP KIT

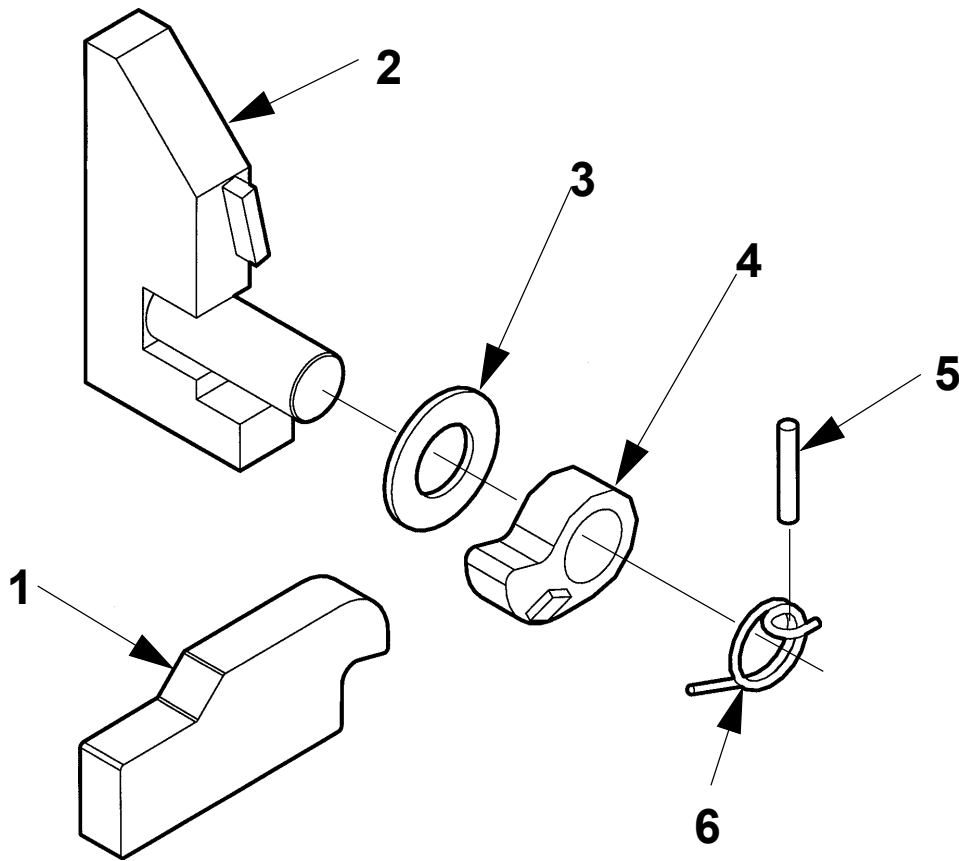
## P/N 261604

ITEM	QTY.	PART NO.	DESCRIPTION
1	2	050014	NIPPLE CLOSE PIPE, 3/8
2	4	260490	NEEDLE VALVE, 3/8 NPT
3	2	050207	FTG. SWIVEL ELBOW
4	1	251419-05	TABULATED HOSE ASSEMBLY, 14"
5	1	800234-01	HOSE ASSY. HP 24"
6	2	251854	HOSE CLAMP, SCREW
7	2	251853	ELBOW, 90° 1/4" M x 3/8 BARB
8	1	253036	BRACKET, HAND PUMP KIT
9	1	030405	PIN, ROLL 3/16" x 2"
10	1	251407	HAND PUMP
11	1	030282	FITTING, NIPPLE, 1/4 x 1-1/2
12	1	800190	TEE, 1/4 NPT (F)
13	1	261057	ELBOW, JIC#8 x 1/4" NPT
14	1	251856	HOSE, 3/8" LP x 20" LG.
15	1	261675	DECAL, SGL. PLUMB. ASSY.
16	2	040395	ELBOW, 90° 3/8" NPT x JIC#8 (M)
17	1	260581	ELBOW, 90° 3/8" NPT x JIC#8 (F)
18	2	251851	TEE, 3/8" M x 3/8" (F-F)
19	1	253715	HOSE, 3/8" HP (F-F) x 11-5/8" LG.
20	1	253705	STR. SWVL. 3/8NPT (M) x JIC#8 (F)
*21	2	901005	NUT, HEX 5/16-18
*22	2	900009-2	SCREW, CAP 5/16-18 x 1" LG.
*23	2	902002-1	WASHER FLAT 5/16 x 1/16
*24	2	902011-3	WASHER, LOCK 5/16 x 5/64
*25	2	040366	NUT, NYLON LOCK 1/4-20
*26	2	900000-10	BOLT, HEX 1/4-20 x 2-1/2"
*27	4	030564	WASHER, FLAT 1/4"

**\* NOT  
SHOWN**

# BOTTOM STOP ASSEMBLY

## P/N 260358



260357-01 BOTTOM STOP ASSY. LH (OPPOSITE)

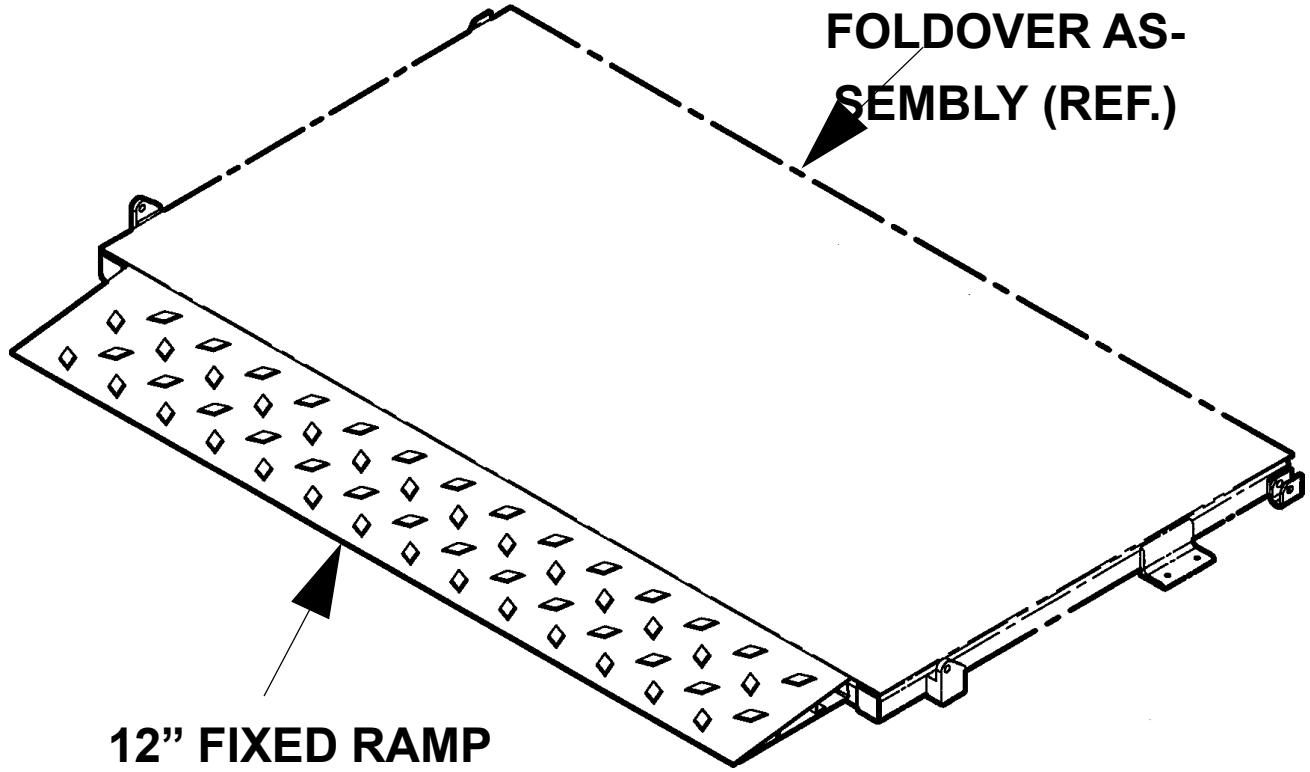
260357-02 BOTTOM STOP ASSY. RH (SHOWN)

ITEM	QTY	PART NUMBER		DESCRIPTION
		260357-01	260357-02	
1	1	260355		HOOK, BOTTOM STOP
2	1	261164-01		BLOCK, BOTTOM STOP LH
			261164-02	BLOCK, BOTTOM STOP RH
3	1	030579		WASHER, FLAT 1"
4	1	260783-01		BLOCK, ROTATING WELDMENT LH
			260783-02	BLOCK, ROTATING WELDMENT RH
5	1	050034		PIN, ROLL 1/4" x 2"
6	1	260404-01		SPRING, TORSION, LH
			260404-02	SPRING, TORSION, RH

**MAXON**<sup>®</sup>

11921 Slauson Ave. Santa Fe Springs, CA. 90670 (800) 227-4116 FAX (888) 771-7713

# FIXED RAMP, 6" & 12"

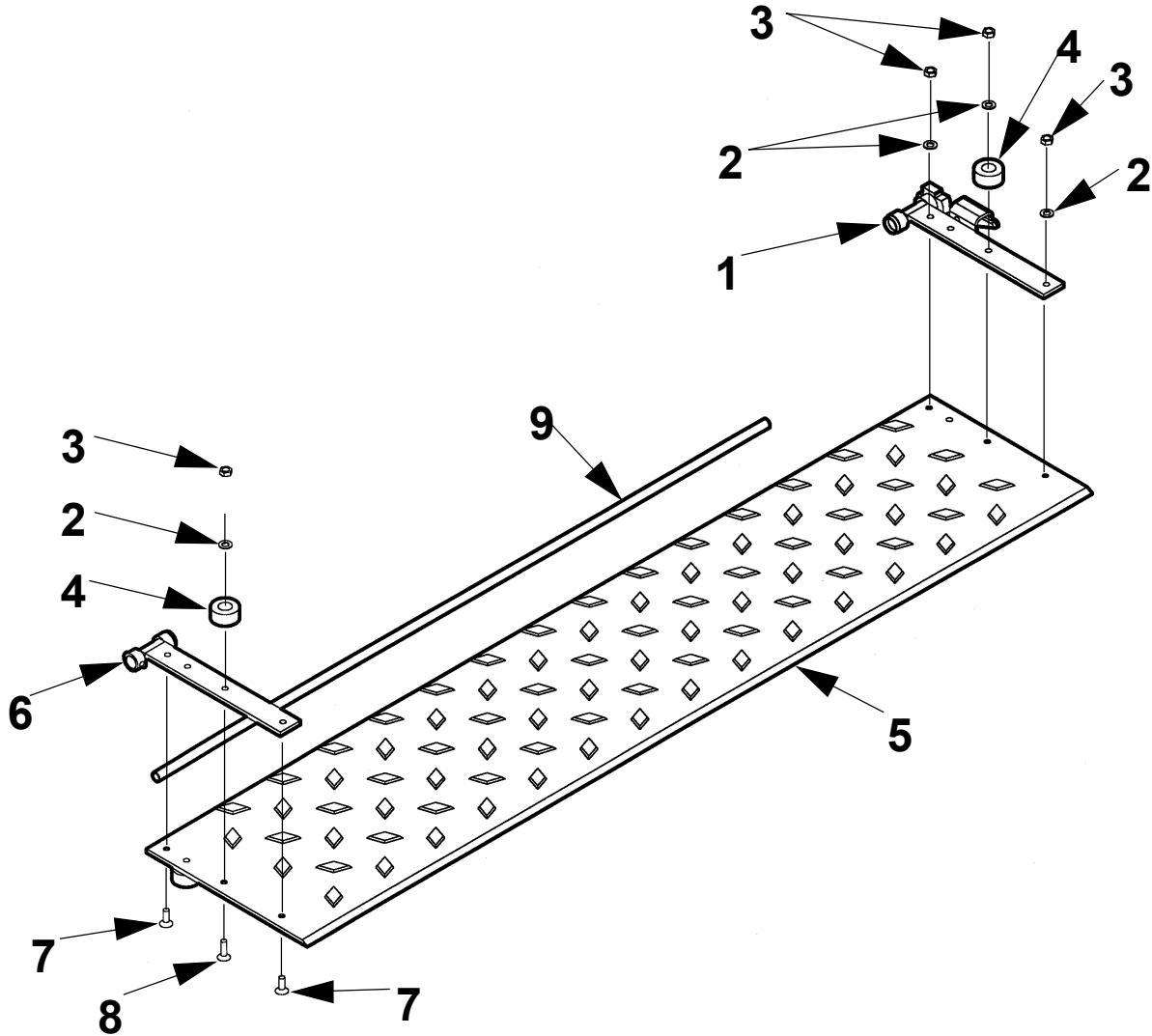


**12" FIXED RAMP  
(SHOWN)**

**6" FIXED RAMP (NOT  
SHOWN)**

RAMP	VEHICLE BODY WIDTH		
	90"	96"	102"
6" DEEP	253944-01	253944-02	253944-03
12" DEEP	253944-04	253944-05	253944-06

# ALUMINUM RETENTION RAMP

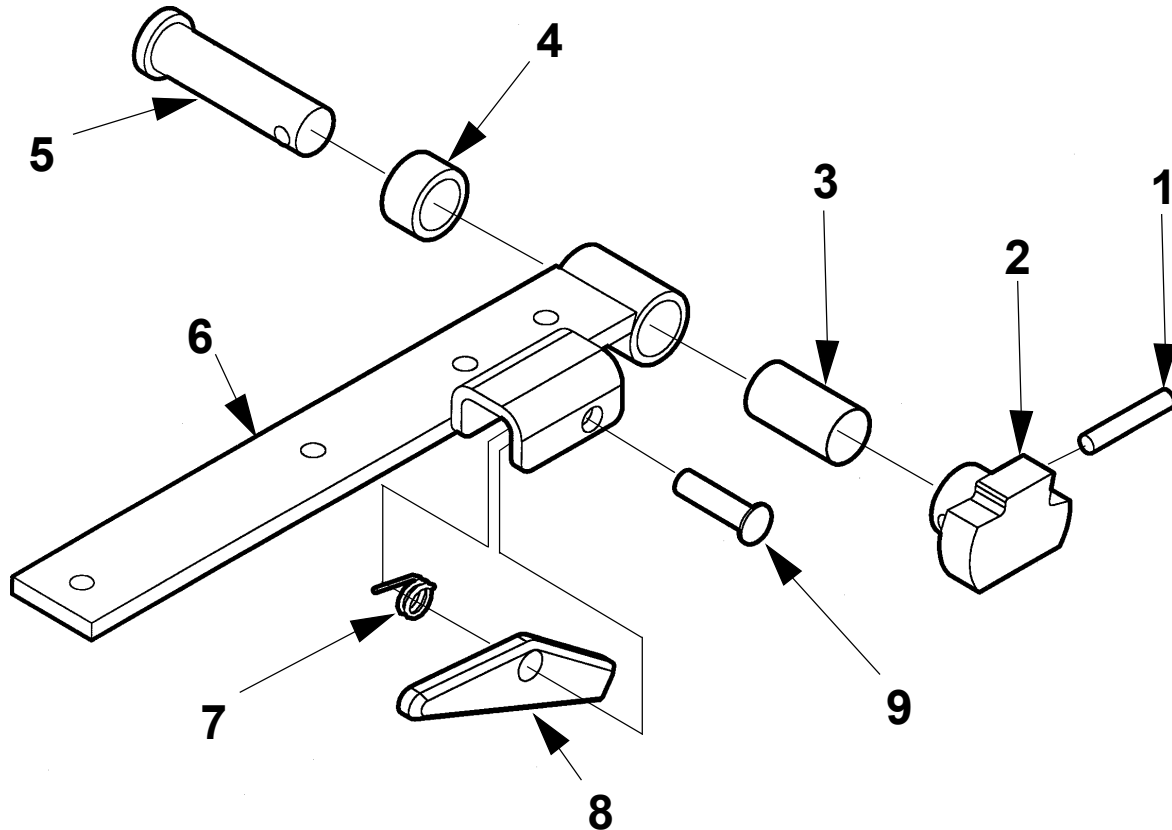


ASSEMBLY	90" WIDE VEHICLE	96" WIDE VEHICLE	102" WIDE VEHICLE		
PART NO.	253522-02	253522	253522-01		
ITEM	QTY.	PART NUMBER		DESCRIPTION	
1	1	253525		HINGE ASSEMBLY R.H.	
2	6	030556		WASHER, FLAT 3/8"	
3	6	030955		LOCKNUT, 3/8-16 UNC	
4	2	253516		BUMPER	
5	1	253523-02	253523	253523-01	ALUMINUM RAMP
6	1	253524		HINGE ASSEMBLY L.H.	
7	4	040504		BOLT, 3/8-16 UNC x 1-1/4" FLAT HD.	
8	2	030036		BOLT, 3/8-16 UNC x 1-1/2" FLAT HD.	
9	1	225985		PIPE, 3/4" SCH. 80 x 60" LG.	

**MAXON**<sup>®</sup>  
 11921 Slauson Ave. Santa Fe Springs, CA. 90670 (800) 227-4116 FAX (888) 771-7713

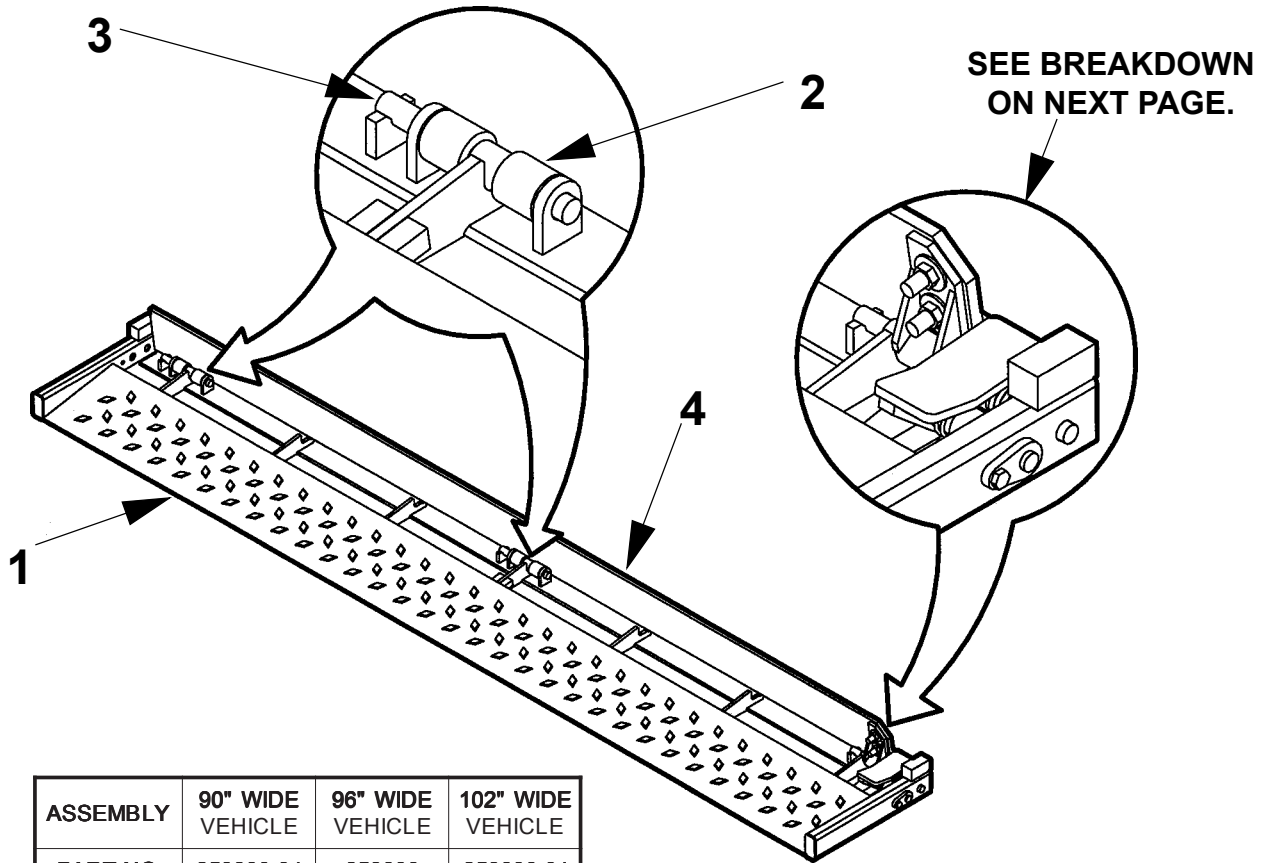


# ALUMINUM RETENTION RAMP R.H. HINGE ASSEMBLY, P/N 253525



ITEM	QTY	PART NUMBER	DESCRIPTION
1	1	221416	ROLL PIN 3/8" x 2"
2	1	253532	LOCK & BUSHING WELDMENT
3	1	253541	BEARING, SELF-LUBE 1" DIA. x 2" LG.
4	1	253517	BUSHING x 3/4"
5	1	253528	PIN WELDMENT
6	1	253527	HINGE ARM WELDMENT R.H.
7	1	252460	TORSION SPRING
8	1	260147	LOCKING ARM ASSEMBLY
9	1	253538	PIN WELDMENT

# CART STOP RAMP

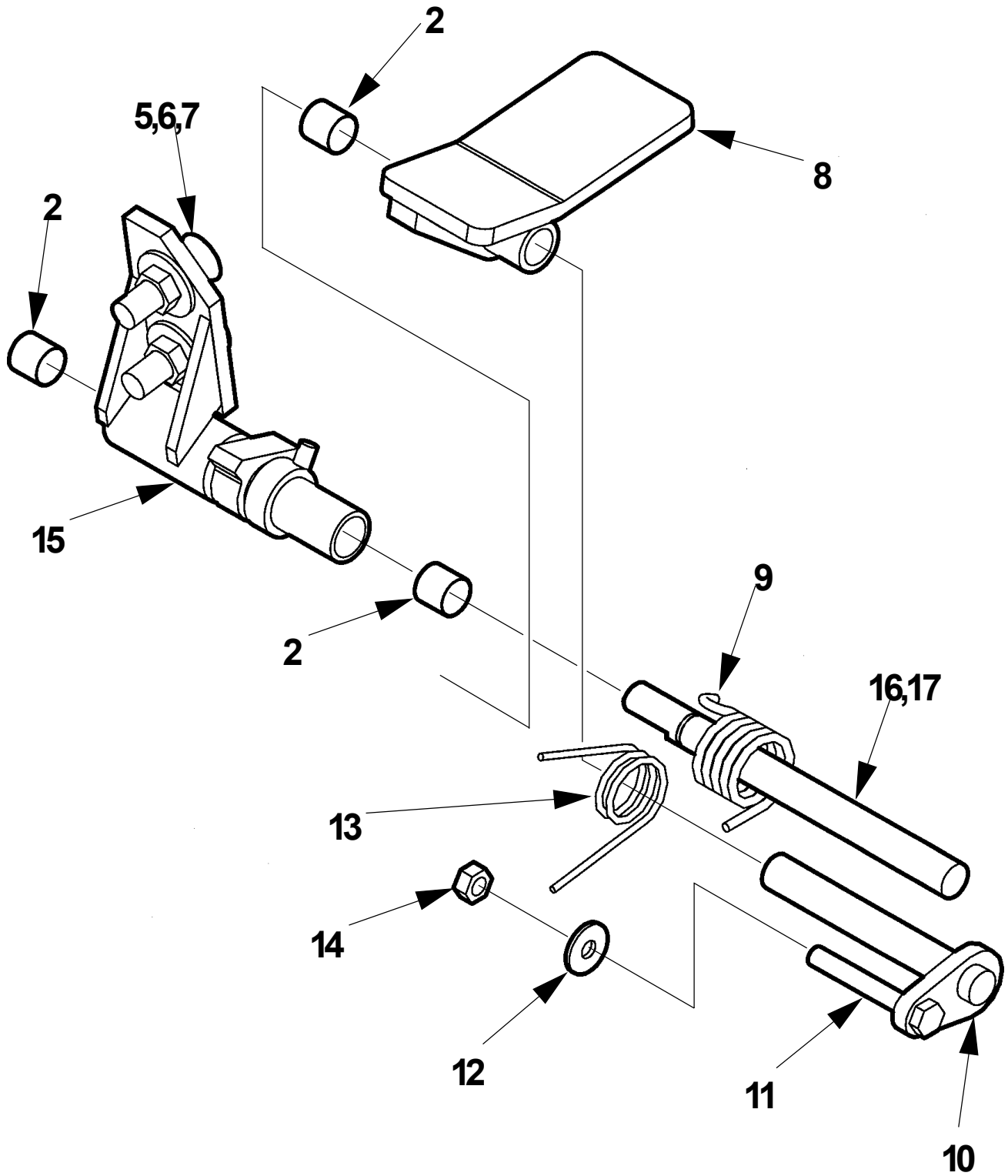


ASSEMBLY	90" WIDE VEHICLE	96" WIDE VEHICLE	102" WIDE VEHICLE		
PART NO.	253830-04	253830	253830-01		
ITEM	QTY.	PART NUMBER			DESCRIPTION
1	1	253835-09	253835-05	253835-08	RAMP, POP-UP CART STOP
2	3	253542			BEARING, SELF-LUBE 1/2 x 1/2
3	2	261496-01			PIN, 4.8" LG
4	1	253850-04	253850	253850-01	CART STOP, 3/8" DIAMOND PLATE
5	2	040504			BOLT, 3/8-16 x 1-1/4"
6	2	030955			NUT, LOCK, 3/8-16
7	2	030556			WASHER, FLAT 3/8"
8	1	260360			LOCKING HOOK R.H.
9	1	202528-01			TORSION SPRING
10	1	261693			PIN, LOCKING HOOK SUPPORT
11	1	260558			BOLT, 1/4-20 x 2" LG
12	1	030564			WASHER, FLAT 1/4"
13	1	252460			TORSION SPRING
14	1	040366			NUT, LOCK, 1/4-20
15	1	260321			LOCKING CAM, R.H.
16	1	261496-02			PIN, 7.1" LG
17	3	260930-01			RETAINING RING, .5 x .5

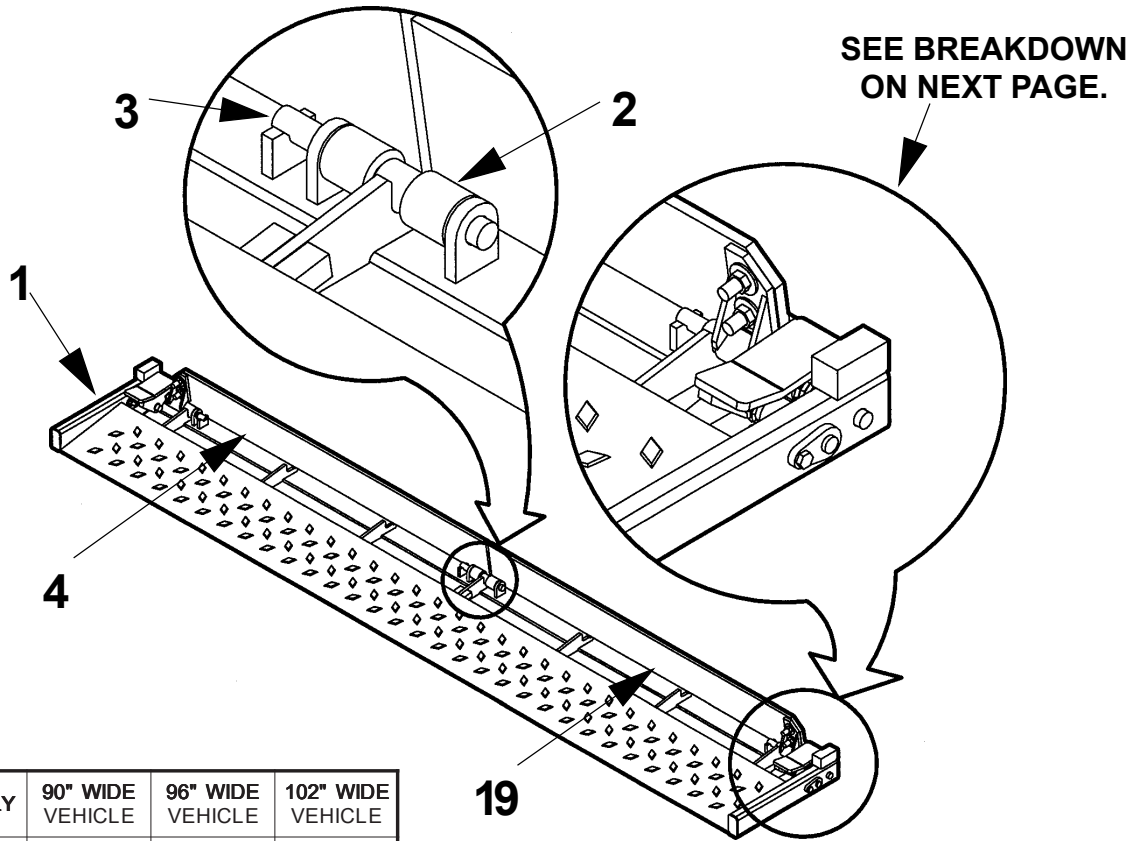
**MAXON**<sup>®</sup>

11921 Slauson Ave. Santa Fe Springs, CA. 90670 (800) 227-4116 FAX (888) 771-7713

# CART STOP RAMP



# DUAL CART STOP RAMP



ASSEMBLY	90" WIDE VEHICLE	96" WIDE VEHICLE	102" WIDE VEHICLE		
PART NO.	253890-04	253890	253890-01		
ITEM	QTY.	PART NUMBER			DESCRIPTION
1	1	253835-04	253835	253835-01	RAMP, POP-UP CART STOP
2	6	253542			BEARING, SELF-LUBE 1/2 x 1/2
3	1	261496-01			PIN, 4.8" LG
4	1	253896-08	253896	253896-02	DUAL CART STOP, L.H. PLT.
5	4	040504			BOLT, 3/8-16 x 1-1/4"
6	4	030955			NUT, LOCK, 3/8-16
7	4	030556			WASHER, FLAT 3/8"
8	1	260360			LOCKING HOOK R.H.
9	1	202528-01			TORSION SPRING R.H.
10	2	261693			PIN, LOCKING HOOK SUPPORT
11	2	260558			BOLT, 1/4-20 x 2" LG
12	2	030564			WASHER, FLAT 1/4"
13	2	252460			TORSION SPRING
14	2	040366			NUT, LOCK, 1/4-20
15	1	260321			LOCKING CAM, R.H.
16	2	261496-02			PIN, 7.1" LG
17	3	260930-01			RETAINING RING, .5 x.5 (Not Shown)
18	1	202528-02			TORSION SPRING L.H. (Not Shown)
19	1	253896-09	253896-01	253896-03	DUAL CART STOP, R.H. PLT.
20	1	260321-01			LOCKING CAM, L.H. (Not Shown)
21	1	260360-01			LOCKING HOOK L.H. (Not Shown)

# DUAL CART STOP RAMP (RH ASSY. SHOWN, LH OPPOSITE)

