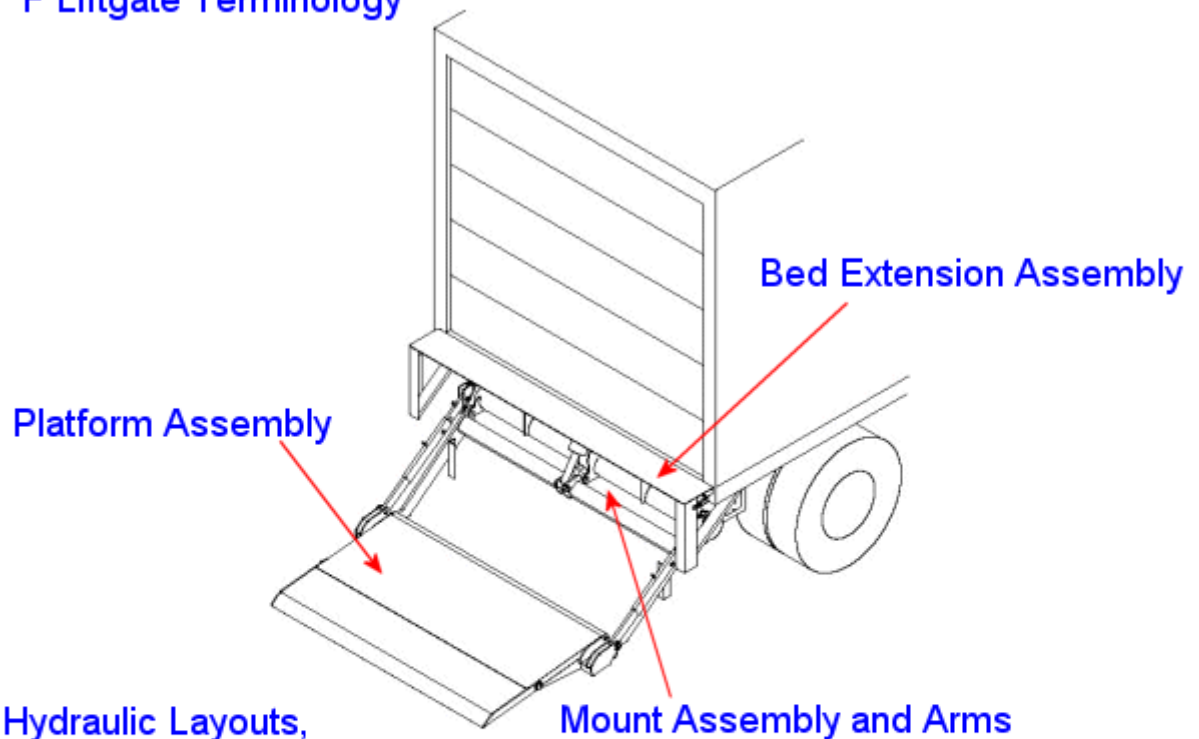




F-Series / F-RM Series

Click the appropriate link below for the major component of the liftgate for which you are trying to find the correct part. If you are unsure of the name of the part in Waltco terminology, click the "Liftgate Terminology" link and it will take you to a document showing a picture of the liftgate with the common Waltco names for each of the parts.

[F Liftgate Terminology](#)



[Hydraulic Layouts, Electrical Layouts and Schematics, Pumps, and Cylinders](#)

- [Prior to 2-94](#)
- [From 2-94 thru 3-96](#)
- [From 3-96 thru 2-00](#)
- [From 2-00 thru 3-03](#)
- [From 3-03 thru 3-04](#)
- [Built from 3-04](#)

[Tech Tips](#)

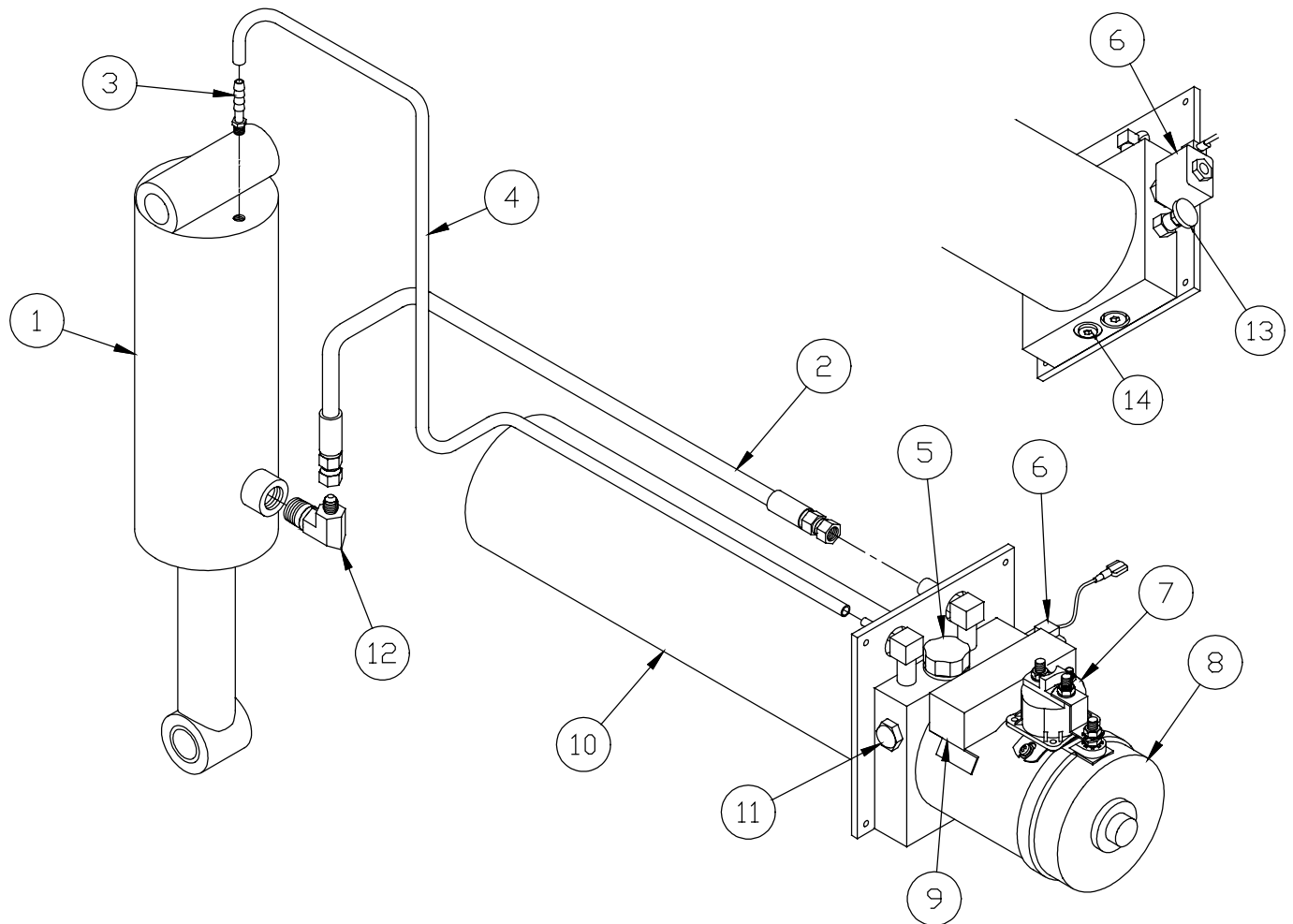
**F-Series /
F-RM
Series**



Liftgate Terminology

TERMINOLOGY

- | | |
|--|--|
| <ol style="list-style-type: none">1. Hydraulic Cylinder2. Hose Assembly3. Barbed Fitting4. Return Line5. Breather6. Lowering Solenoid7. Starter Solenoid | <ol style="list-style-type: none">8. Motor9. Thermalpak® with Voltage Guard™10. Reservoir11. Fluid Level Sight Glass12. Hose fitting13. Flow Control Valve14. Drain Plug |
|--|--|



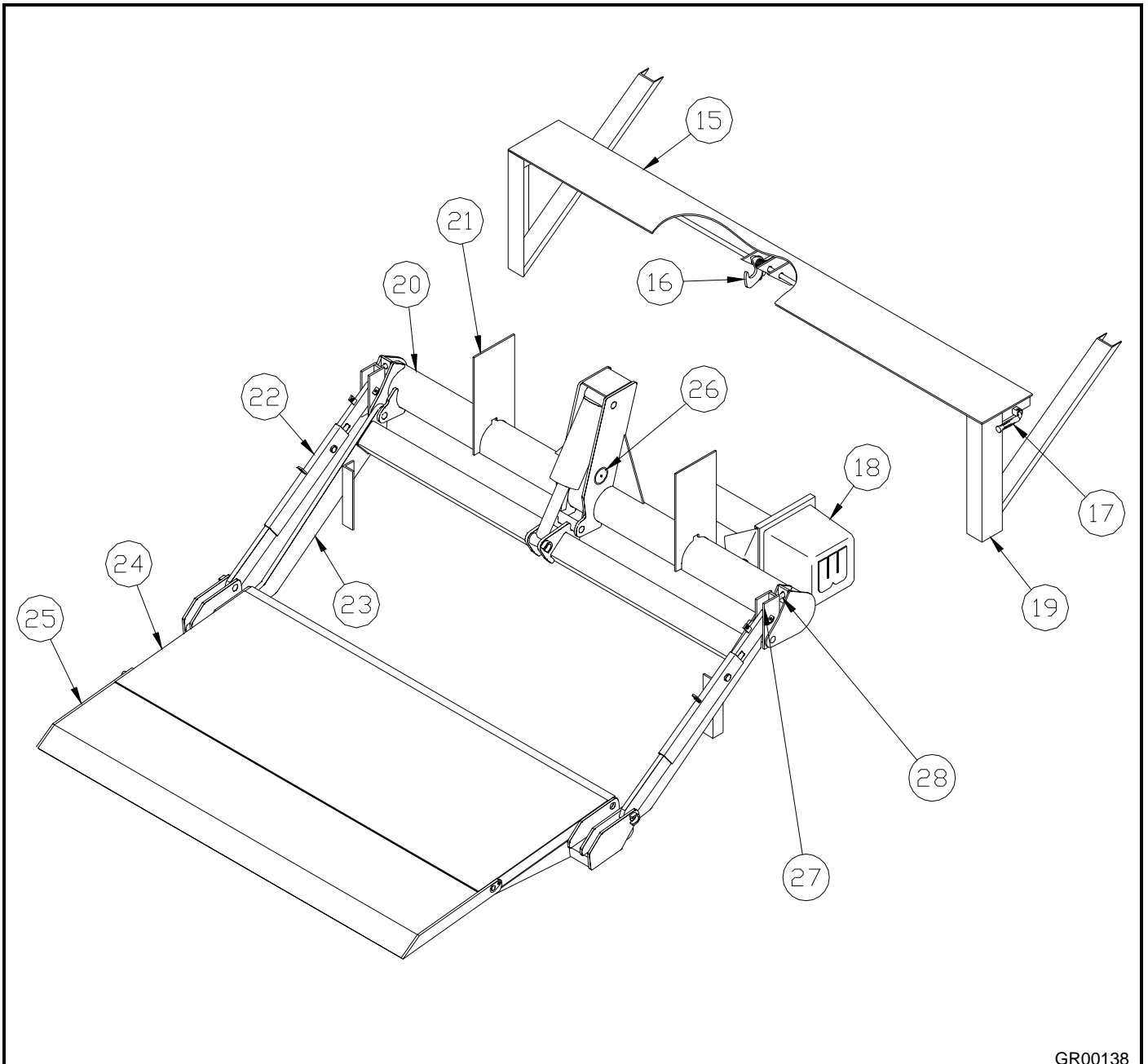
GR00137

Liftgate Terminology

TERMINOLOGY

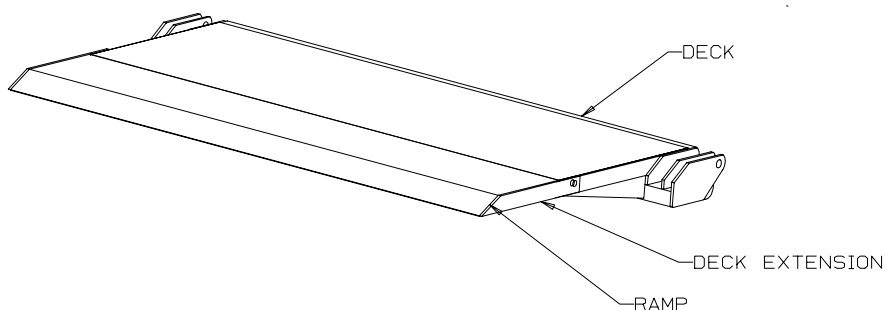
- 15. Bed extension
- 16. Safety Hook
- 17. Transit Latch Handle
- 18. Pump Cover
- 19. Dock Bumper
- 20. Mount Tube Assembly
- 21. Mount Plate

- 22. Parallel Arm
- 23. Lift Arm Assembly
- 24. Deck Assembly
- 25. Deck Extension Assembly
- 26. Specification Tag
- 27. Stop Block
- 28. Stop Block Adjustment Bolt



GR00138

F-SERIES PLATFORM ASSEMBLY



Common Features

- Wide arm design
- Waltco nameplate on back channel
- Capacity decal
- Platforms are 72" wide
- Platform depths as indicated below
- Underside structure as indicated below
- Reduced Maintenance design (No grease required) (Released 3-96)
- Reduced Installation Design (No Grease required, Pump attached to Mount Tube as shipped) (Released 1-2000)

	F-20	F-30	F-40
	<p>PM-65 Built 1978 thru 3-96</p> <p>PM-376 Built from 3-96 thru 1-00</p> <p>PM-522 Built from 1-00 thru 3-03</p> <p>PM-522A Built from 3-03 thru 5-03</p> <p>PM-522B Built from 5-03</p>	<p>PM-65 Built 1978 thru 3-96</p> <p>PM-376 Built from 3-96 thru 1-00</p> <p>PM-522 Built from 1-00 thru 3-03</p> <p>PM-522A Built from 3-03 thru 5-03</p> <p>PM-522B Built from 5-03</p>	<p>PM-65 Built thru 3-96</p> <p>PM-413 Built from 3-96 thru 5-03</p> <p>PM-413A Built from 5-03</p>
Capacity decal	2500 Pounds	3000 Pounds	4000 Pounds
Underside structure of deck			

Notes:

1. For liftgates Built prior to 1978, contact Technical Support or Engineering for assistance.

F-SERIES PLATFORM ASSEMBLY

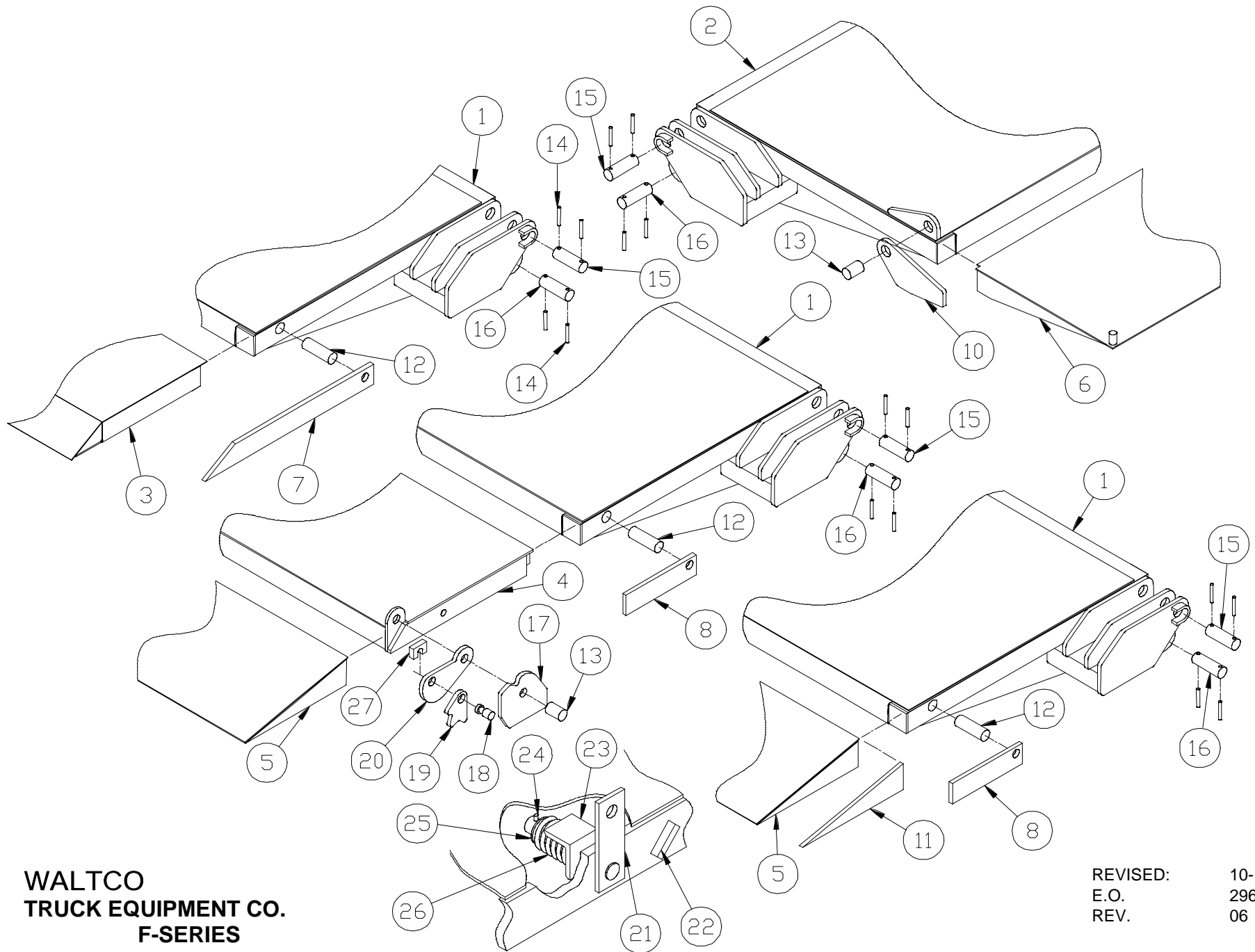
F-20, F-30 & F-40	
Platform depths	
F-20W and F-30W	
Platform depths (wedge)	

- ◆ 90° ramp lock (SP - spring loaded pin) from 9/94 to 4/5/96 (no PM drawing)
- ◆ 90° ramp lock (rotating lock) effective 4/5/96 (PM-65 dated 3/8/96)

©2004 Walco Truck Equipment Co. All rights reserved

80101055 Rev. 02 10/02

F-20, 30, 40 PLATFORM ASSEMBLY



WALTCO
TRUCK EQUIPMENT CO.
F-SERIES

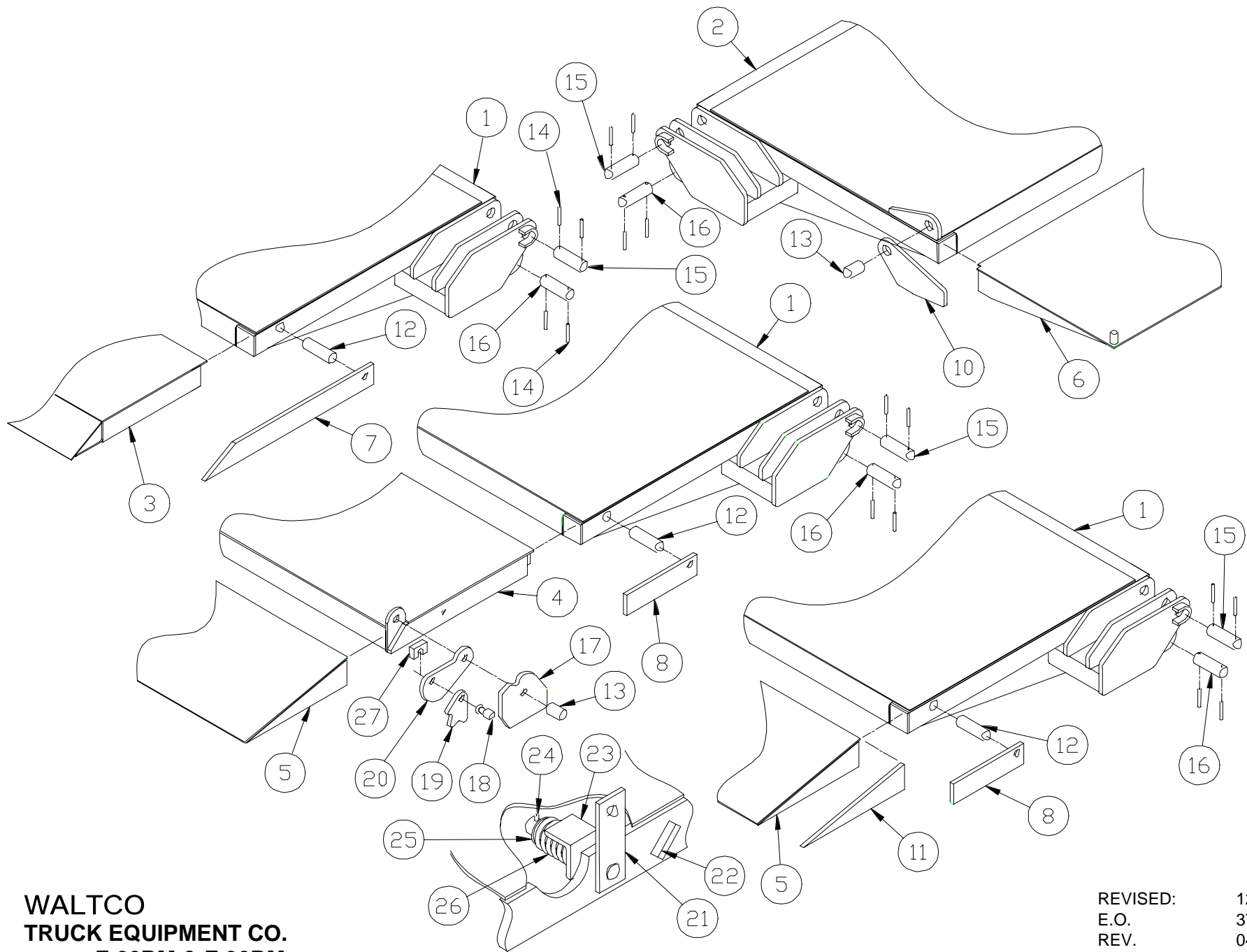
REVISED: 10-11-96
 E.O. 2968
 REV. 06

PM-65

ITEM	PART NUMBER	QTY	DESCRIPTION
-	20210034	-	Platform Complete(F-20), 38" x 72" + 4"
-	20210042	-	Platform Complete(F-20), 42" x 72" + 12"
-	20710000	-	Platform Complete(FW-20), 42" x 72"
-	20310034	-	Platform Complete(F-30), 38" x 72" + 4"
-	20310042	-	Platform Complete(F-30), 42" x 72" + 12"
-	20810000	-	Platform Complete(FW-30), 42" x 72"
-	20410034	-	Platform Complete(F-40), 38" x 72" + 4"
-	20410042	-	Platform Complete(F-40), 42" x 72" + 12"
1	20211001	1	Deck Assembly (F-20 Only)
	20311001	1	Deck Assembly (F-30 Only)
	20411001	1	Deck Assembly (F-40 Only)
2	20711000	1	Deck Assembly (F-20 Wedge)
	20811000	1	Deck Assembly (F-30 Wedge)
3	20213001	1	Deck Extension Assembly (F-20 & 30 Only)
	20413001	1	Deck Extension Assembly (F-40 Only)
4	20213003	1	Deck Extension (F-20 & 30 Only)
	20413003	1	Deck Extension (F-40 Only)
	20213002	1	Deck Extension (Butt End)(F-20 & 30 Only)
	20413002	1	Deck Extension (Butt End)(F-40 Only)
5	20214012	1	12" Ramp Assembly
6	20713000	1	Deck Extension Assembly (Wedge)
7	20213401	2	Bar, Deck Extension Side
8	20213701	2	Hinge Bar
9	20214700	2	Ramp Hinge Bar
10	20713700	2	Deck Extension Hinge (Wedge)
11	21214412	2	Bar, 12" Ramp Side
12	20210701	2	Pin
13	22110700	2	Hinge Pin
14	75089541	8	1/4" Dia. x 1-7/8" Coiled Pin
15	20211200	2	Upper Hinge Pin(F-20 & 30 Only)
	20411201	2	Upper Hinge Pin(F-40 Only)
16	20411101	2	Lower Hinge Pin
17	20216400	1	Lock Clevis
18	20216500	1	Retainer Pin
19	20216000	1	Lock
20	20216300	1	Ramp Hinge
21	20215500	1	Lock Lever Assembly

ITEM	PART NUMBER	QTY	DESCRIPTION
22	20215100	2	Stop Bar
23	20215700	1	Clip Angle
24	75084053	1	3/32" Dia. x 1" Cotter Pin
25	75088056	3	1/2" Cut Washer
26	20215400	1	Spring
27	20216600	1	Pin Retainer

PLATFORM ASSEMBLY, REDUCED MAINTENANCE



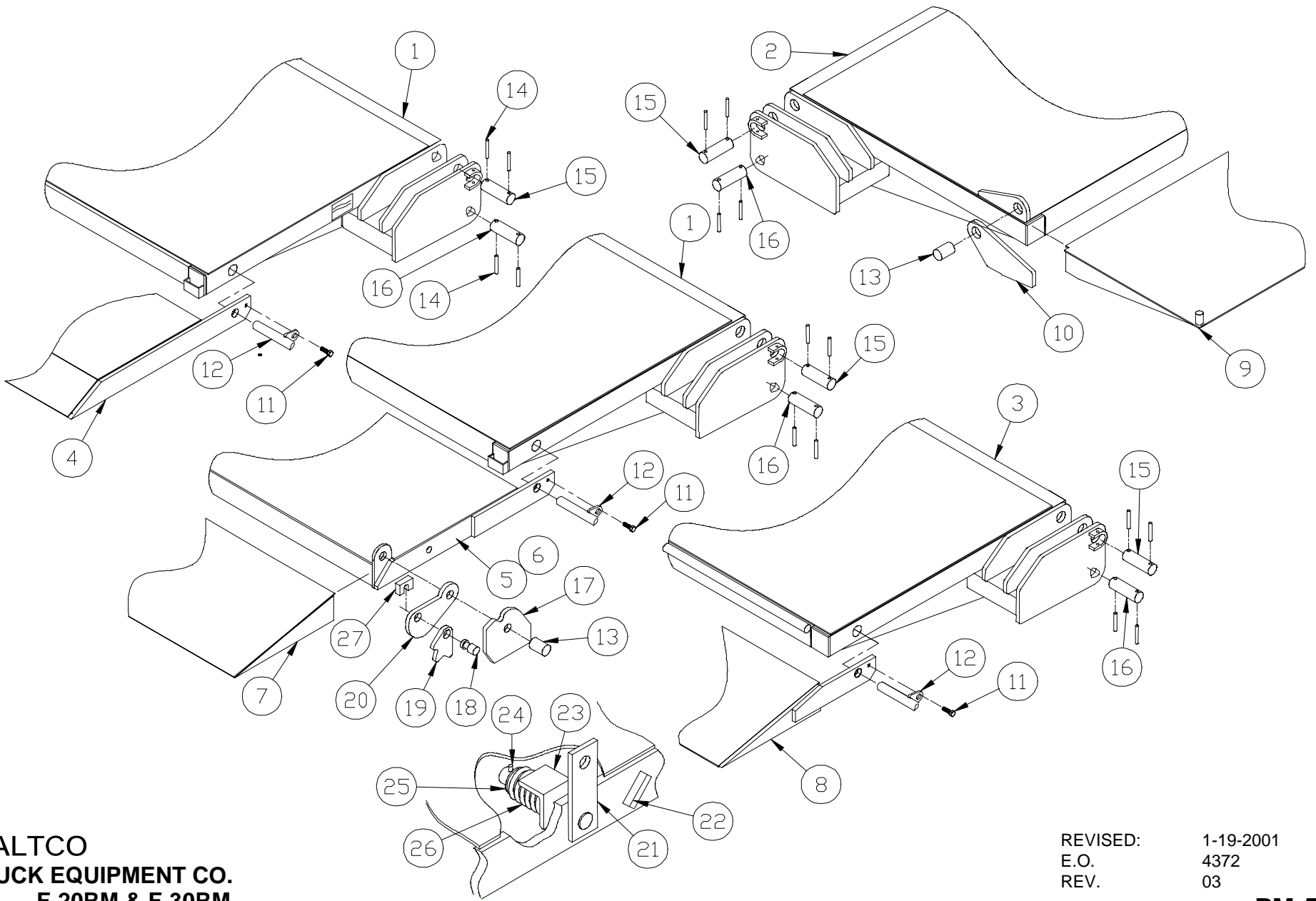
**WALTCO
TRUCK EQUIPMENT CO.
F-20RM & F-30RM**

REVISED: 12-18-98
E.O. 3768
REV. 04

PM-376

ITEM	PART NUMBER	QTY	DESCRIPTION
1	20211001	1	Deck Assembly (F-20 Only)
	20311001		Deck Assembly (F-30 Only)
2	20711000	1	Deck Assembly (F-20 Wedge)
	20811000		Deck Assembly (F-30 Wedge)
3	20213001	1	Deck Extension Assembly
4	20213002	1	Deck Extension (Butt End)
5	20214012	1	Ramp Assembly (8", 12")
6	20713000	1	Deck Extension Assembly (Wedge)
7	20213401	2	Bar Deck Extension Side
8	20213701	2	Hinge Bar
9	20214700	2	Ramp Hinge Bar
10	20713700	2	Deck Extension Hinge
11	21214412	2	Bar 12" Ramp Side
12	20210701	2	Pin
13	22110700	2	Hinge Pin
14	75089541	8	1/4" Dia. x 1-7/8" Coiled Pin
15	20370500	2	Upper Hinge Pin
16	20370100	2	Lower Hinge Pin
17	20216400	1	Lock Clevis
18	20216500	1	Retainer Pin
19	20216000	1	Lock
20	20216300	1	Ramp Hinge
21	20215500	1	Lock Lever Assembly
22	20215100	2	Stop Bar
23	20215700	1	Clip Angle
24	75084053	1	3/32" Dia. x 1" Cotter Pin
25	75088056	3	1/2" Cut Washer
26	20215400	1	Spring
27	20216600	1	Pin Retainer

PLATFORM ASSEMBLY, REDUCED MAINTENANCE



**WALTCO
TRUCK EQUIPMENT CO.
F-20RM & F-30RM**

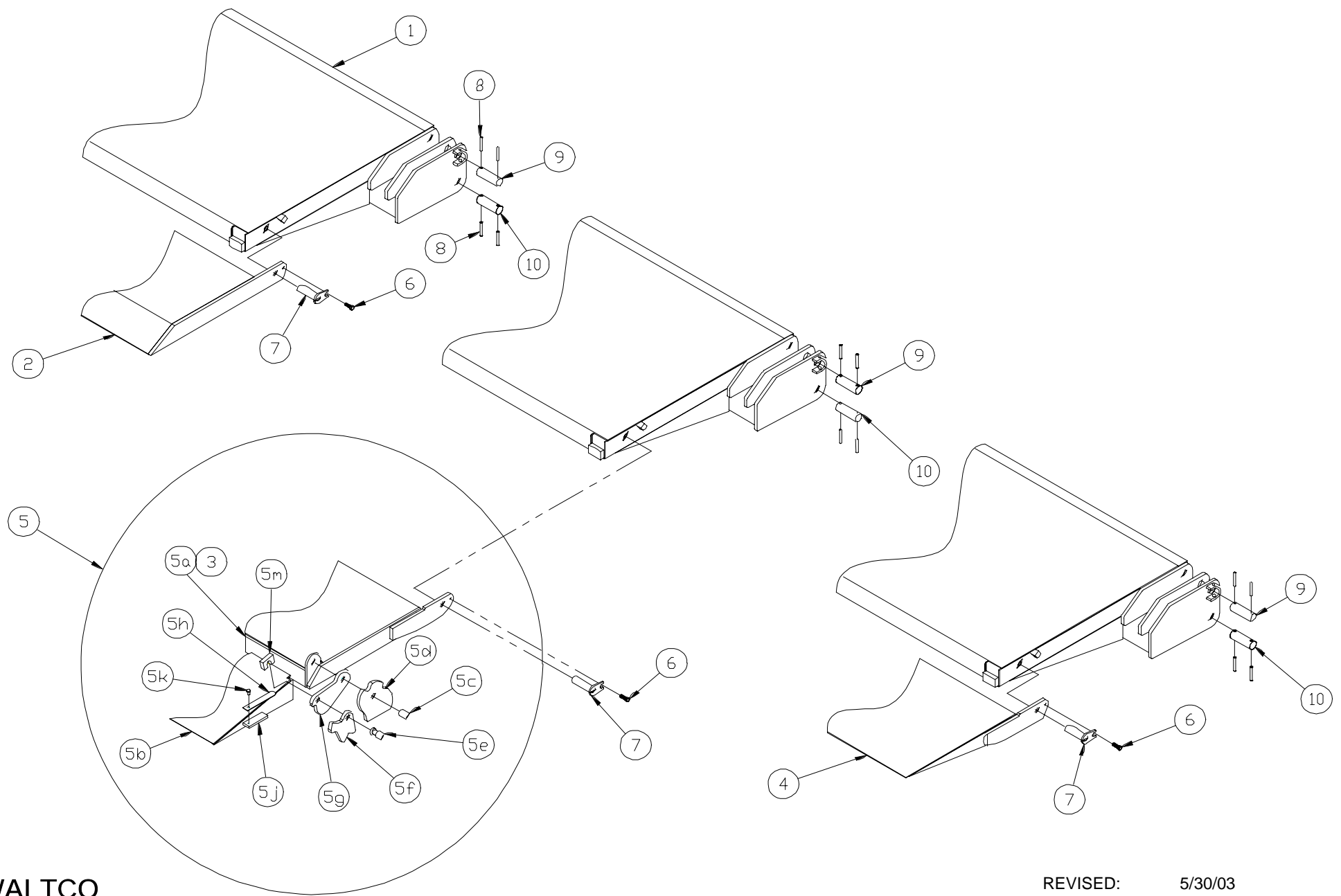
REVISED: 1-19-2001
E.O. 4372
REV. 03

PM-522

ITEM	PART NUMBER	QTY	DESCRIPTION
1	20211004	1	Deck Assembly (F-20 Only)
	20311004		Deck Assembly (F-30 Only)
2	20711000	1	Deck Assembly (F-20 Wedge)
	20811000		Deck Assembly (F-30 Wedge)
3	20211005	1	Deck Assembly (F-20, 26 x 72 + 12)
	20311005		Deck Assembly (F-30, 26 x 72 + 12)
4	20213004	1	Deck Extension Assembly
5	20213005	1	Deck Extension (Butt End)
6*	20213006	1	Deck Extension with Hinge Ears
7*	20214012	1	Ramp Assembly, 12"
8	20214013	1	Ramp Assembly, 12", for 26 x 72 + 12
9	20713000	1	Deck Extension Assembly (Wedge)
10	20713700	2	Deck Extension Hinge
11	75086053	2	Screw, 3/8-16 x 1/2", Locking
12	20210702	2	Hinge Pin Assembly, Deck Extension
13*	22110700	2	Hinge Pin, Ramp
14	75089541	8	1/4" Dia. x 1-7/8" Coiled Pin
15	20370500	2	Upper Hinge Pin
16	20370100	2	Lower Hinge Pin
17*	20216400	1	Lock Clevis
18*	20216500	1	Retainer Pin
19*	20216000	1	Lock
20*	20216300	1	Ramp Hinge
21*	20215500	1	Lock Lever Assembly
22*	20215100	2	Stop Bar
23*	20215700	1	Clip Angle
24*	75084053	1	3/32" Dia. x 1" Cotter Pin
25*	75088056	3	1/2" Cut Washer
26*	20215400	1	Spring
27*	20216600	1	Pin Retainer

* Components included in Deck Extension Assembly 20213007

PLATFORM ASSEMBLY, REDUCED MAINTENANCE



**WALTCO
TRUCK EQUIPMENT CO.
F-20RM & F-30RM**

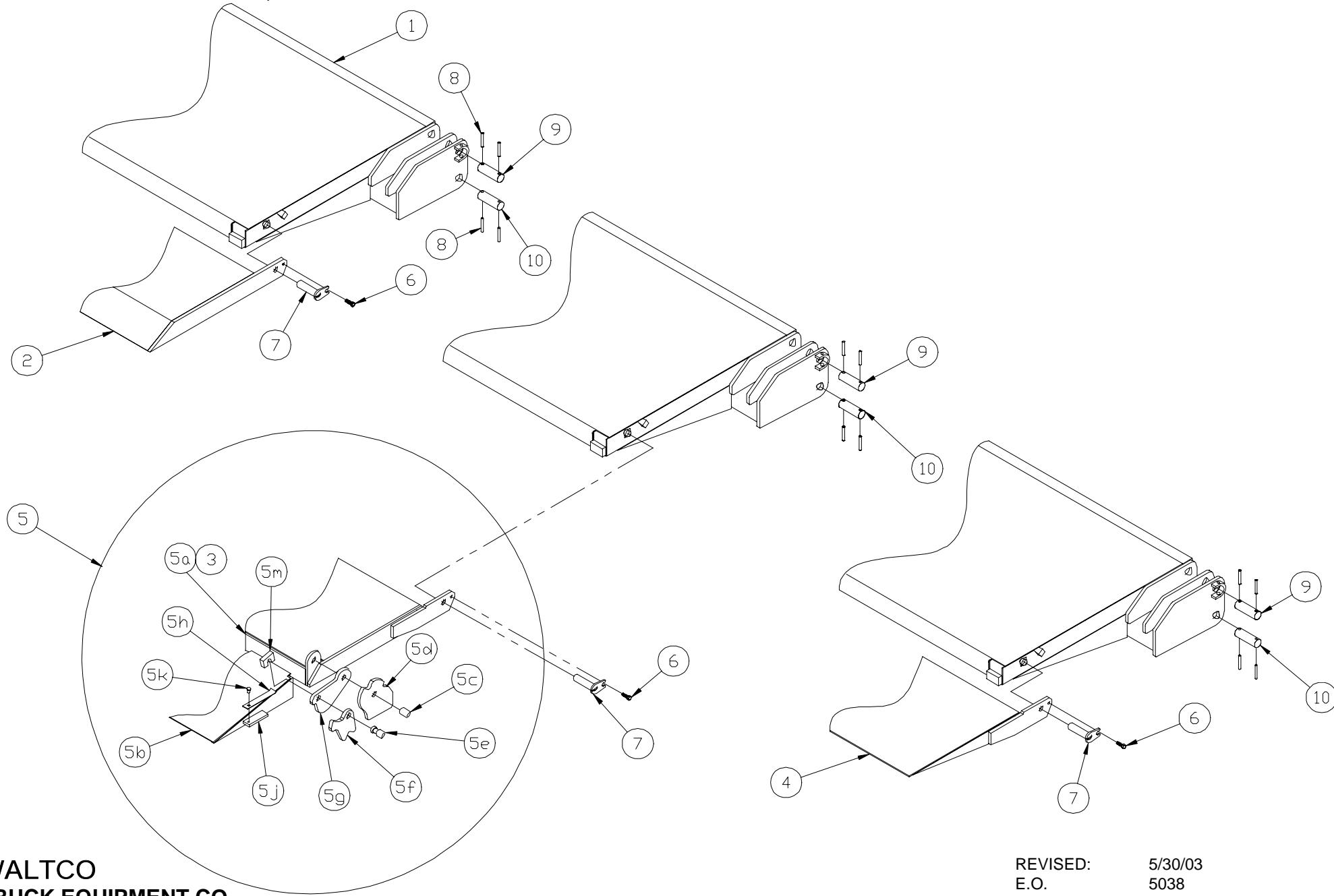
REVISED: 5/30/03
E.O. 5038
REV. 03

PM-522A

ITEM	PART NUMBER	QTY	DESCRIPTION	PARTS KIT NOTES
1	20211004	1	Deck Assembly (F-20 Only)	C E L
	20311004		Deck Assembly (F-30 Only)	D F M
2	20213004	1	Deck Extension Assembly, 38 x 72 + 4	C D G
3	20213005	1	Deck Extension Assembly 42 x 72 Butt End	J
4	20713001	1	Deck Extension Assembly Wedge	K
5	20213007	1	Deck Extension Assembly, 42 x 72 + 12	BEF
5a	20213006	1	Deck Extension with Hinge Ears	
5b	20214012	1	Ramp Assembly, 12"	
5c	22110700	2	Hinge Pin, Ramp	A
5d	20216401	1	Lock Clevis	A
5e	20216500	1	Retainer Pin	A
5f	20216001	1	Lock	A
5g	20216301	1	Ramp Hinge	A
5h	20216700	1	Spring, Flat	A
5j	20216710	1	Bar, Spring Mount	A
5k	75086862	1	Self Tapping Screw, 1/4"-20 x 3/8"	A
5m	20216600	1	Pin Retainer	A
6	75086053	2	Screw, 3/8-16 x 1/2", Locking	B C D E F G H J K
7	20210704	2	Hinge Pin Assembly, Deck Extension	B C D E F G H J K
8	75089541	8	1/4" Dia. x 1-7/8" Coiled Pin	C D E F L M
9	20370500	2	Upper Hinge Pin	C D E F L M
10	20370100	2	Lower Hinge Pin	C D E F L M

NOTE	REPLACEMENT PARTS KITS	
A	80000746	Ramp Lock Replacement
B	80000787	Deck Extension Replacement, 42 x 72 + 12
C	80000830	Platform Complete, 38 x 72 + 4, F-20RM
D	80000831	Platform Complete, 38 x 72 + 4, F-30RM
E	80000832	Platform Complete, 42 x 72 + 12, F-20RM
F	80000833	Platform Complete, 42 x 72 + 12, F-30RM
G	80000834	Deck Extension Replacement, 38 x 72 + 4
H	80000999	Hinge Pin Replacement
J	80001000	Deck Extension Replacement, 42 x 72 Butt End
K	80001001	Deck Extension Replacement, Wedge
L	80001002	Main Deck Replacement, F-20RM
M	80001003	Main Deck Replacement, F-30RM

PLATFORM ASSEMBLY, REDUCED MAINTENANCE



**WALTCO
TRUCK EQUIPMENT CO.
F-20RM & F-30RM**

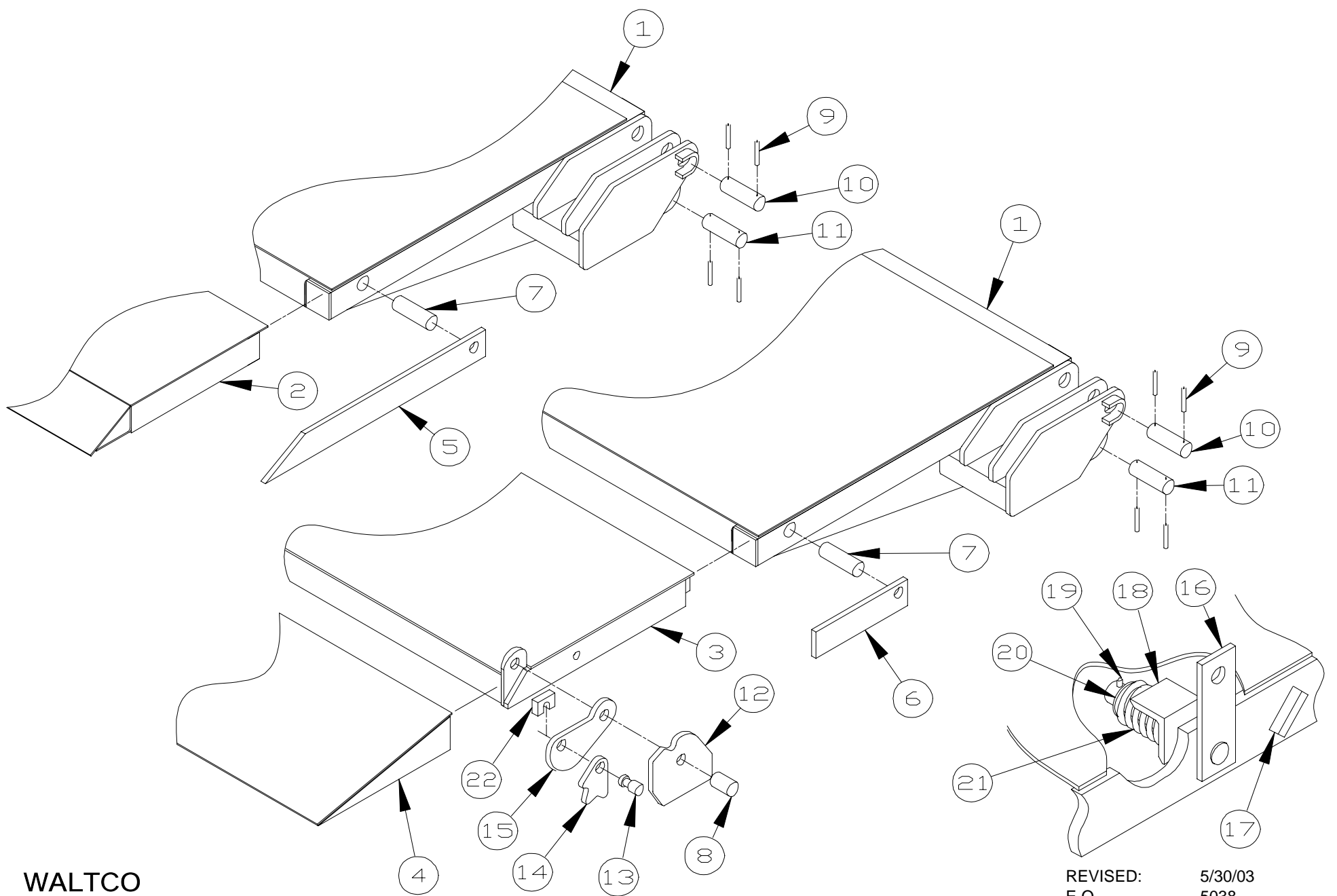
REVISED: 5/30/03
E.O. 5038
REV. 01

PM-522B

ITEM	PART NUMBER	QTY	DESCRIPTION	PARTS KIT NOTES
1	20211014	1	Deck Assembly (F-20 Only)	C E L
	20311014		Deck Assembly (F-30 Only)	D F M
2	20213004	1	Deck Extension Assembly, 38 x 72 + 4	C D G
3	20213005	1	Deck Extension Assembly 42 x 72 Butt End	J
4	20713001	1	Deck Extension Assembly Wedge	K
5	20213007	1	Deck Extension Assembly, 42 x 72 + 12	BEF
5a	20213006	1	Deck Extension with Hinge Ears	
5b	20214012	1	Ramp Assembly, 12"	
5c	22110700	2	Hinge Pin, Ramp	A
5d	20216401	1	Lock Clevis	A
5e	20216500	1	Retainer Pin	A
5f	20216001	1	Lock	A
5g	20216301	1	Ramp Hinge	A
5h	20216700	1	Spring, Flat	A
5j	20216710	1	Bar, Spring Mount	A
5k	75086862	1	Self Tapping Screw, 1/4"-20 x 3/8"	A
5m	20216600	1	Pin Retainer	A
6	75086053	2	Screw, 3/8-16 x 1/2", Locking	B C D E F G H J K
7	20210704	2	Hinge Pin Assembly, Deck Extension	B C D E F G H J K
8	75089541	8	1/4" Dia. x 1-7/8" Coiled Pin	C D E F L M
9	20370500	2	Upper Hinge Pin	C D E F L M
10	20370100	2	Lower Hinge Pin	C D E F L M

NOTE	REPLACEMENT PARTS KITS	
A	80000746	Ramp Lock Replacement
B	80000787	Deck Extension Replacement, 42 x 72 + 12
C	80000830	Platform Complete, 38 x 72 + 4, F-20RM
D	80000831	Platform Complete, 38 x 72 + 4, F-30RM
E	80000832	Platform Complete, 42 x 72 + 12, F-20RM
F	80000833	Platform Complete, 42 x 72 + 12, F-30RM
G	80000834	Deck Extension Replacement, 38 x 72 + 4
H	80000999	Hinge Pin Replacement
J	80001000	Deck Extension Replacement, 42 x 72 Butt End
K	80001001	Deck Extension Replacement, Wedge
L	80001002	Main Deck Replacement, F-20RM
M	80001003	Main Deck Replacement, F-30RM

F-40 PLATFORM ASSEMBLY



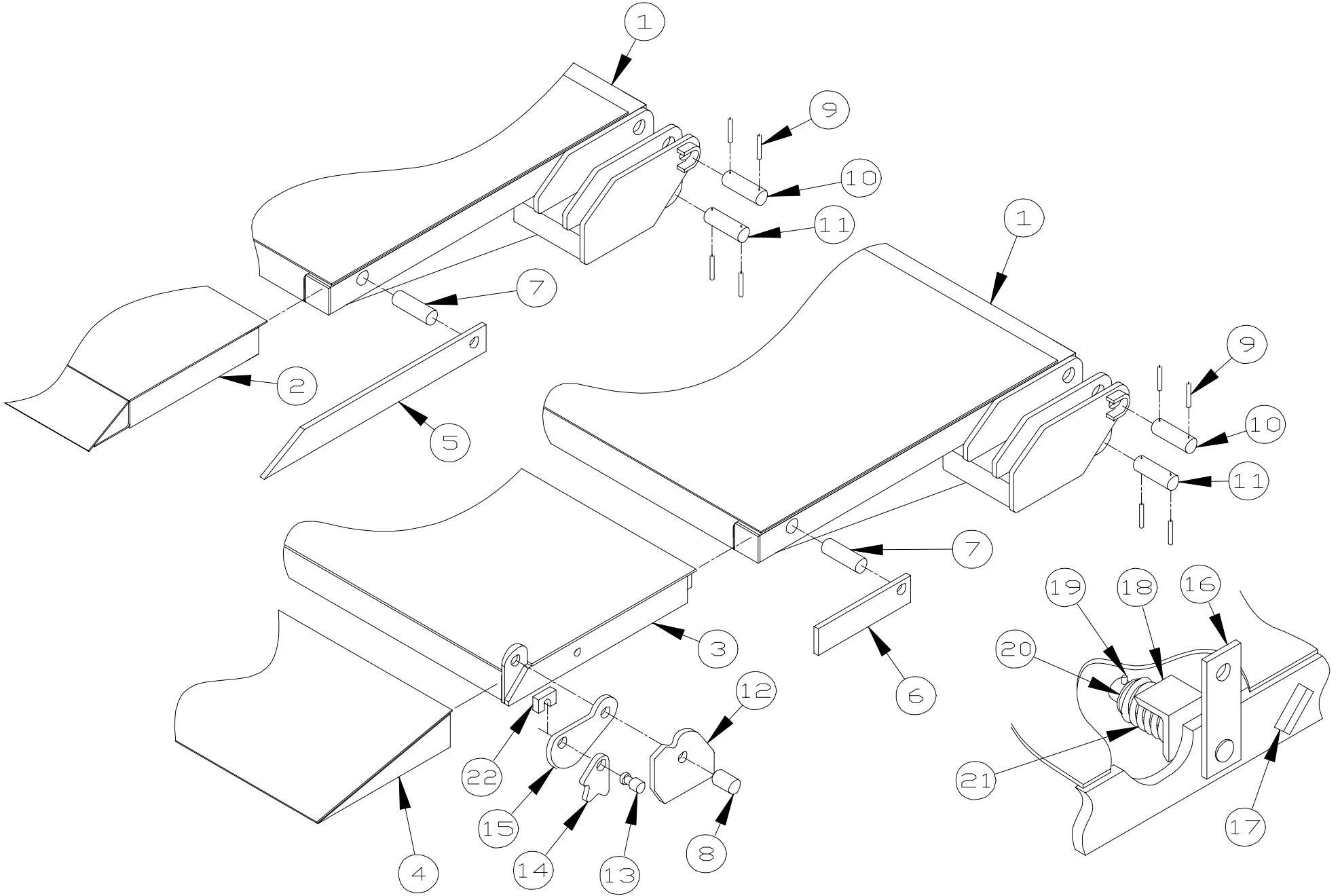
WALTCO
TRUCK EQUIPMENT CO.
F-40

REVISED: 5/30/03
E.O. 5038
REV. 03

PM-413

ITEM	PART NUMBER	QTY	DESCRIPTION
----	20410034	----	Platform Complete 38" x 72" + 4"
----	20410042	----	Platform Complete 42" x 72" + 12"
1	20411001		Deck Assembly
2	20413001		Deck Extension Assembly
3	20413003	1	Deck Extension
	20413002		Deck Extension (Butt End)
4	20214012	1	12" Ramp Assembly
5	20213401	2	Bar Deck Extension Side
6	20213701	2	Hinge Bar
7	20210701	2	Pin
8	22110700	2	Hinge Pin
9	75089541	8	1/4" Dia. x 1-7/8" Coiled Pin
10	20411201	2	Upper Hinge Pin
11	20411101	2	Lower Hinge Pin
12	20216400	1	Lock Clevis
13	20216500	1	Retainer Pin
14	20216000	1	Lock
15	20216300	1	Ramp Hinge
16	20215500	1	Lock Lever Assembly
17	20215100	2	Stop Bar
18	20215700	1	Clip Angle
19	75084053	1	3/32" Dia. x 1" Cotter Pin
20	75088056	3	1/2" Cut Washer
21	20215400	1	Spring
22	20216600	1	Pin Retainer

F-40 PLATFORM ASSEMBLY



**WALTCO
TRUCK EQUIPMENT CO.
F-40**

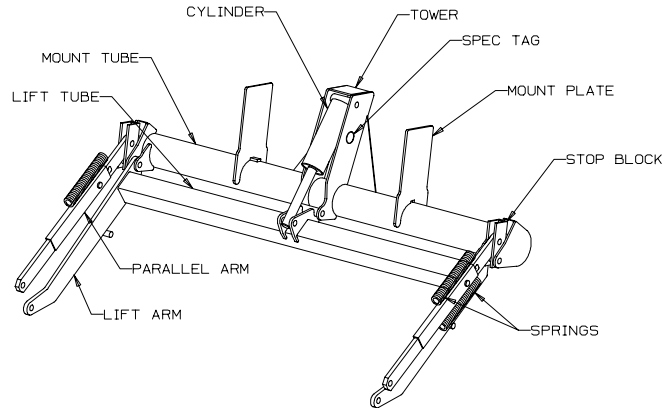
REVISED: 5/30/03
E.O. 5038
REV. 01

PM-413A

ITEM	PART NUMBER	QTY	DESCRIPTION
----	20410134	----	Platform Complete 38" x 72" + 4"
----	20410142	----	Platform Complete 42" x 72" + 12"
1	20411011		Deck Assembly
2	20413001		Deck Extension Assembly
3	20413003	1	Deck Extension
	20413002		Deck Extension (Butt End)
4	20214012	1	12" Ramp Assembly
5	20213401	2	Bar Deck Extension Side
6	20213701	2	Hinge Bar
7	20210701	2	Pin
8	22110700	2	Hinge Pin
9	75089541*	8	1/4" Dia. x 1-7/8" Coiled Pin
10	20411201*	2	Upper Hinge Pin
11	20411101*	2	Lower Hinge Pin
12	20216400	1	Lock Clevis
13	20216500	1	Retainer Pin
14	20216000	1	Lock
15	20216300	1	Ramp Hinge
16	20215500	1	Lock Lever Assembly
17	20215100	2	Stop Bar
18	20215700	1	Clip Angle
19	75084053	1	3/32" Dia. x 1" Cotter Pin
20	75088056	3	1/2" Cut Washer
21	20215400	1	Spring
22	20216600	1	Pin Retainer

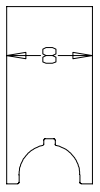
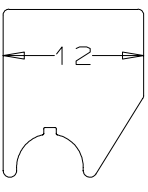
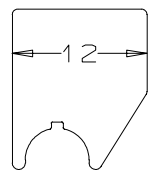
*Included in Pin Replacement Kit 80003320

F-SERIES MOUNT ASSEMBLY

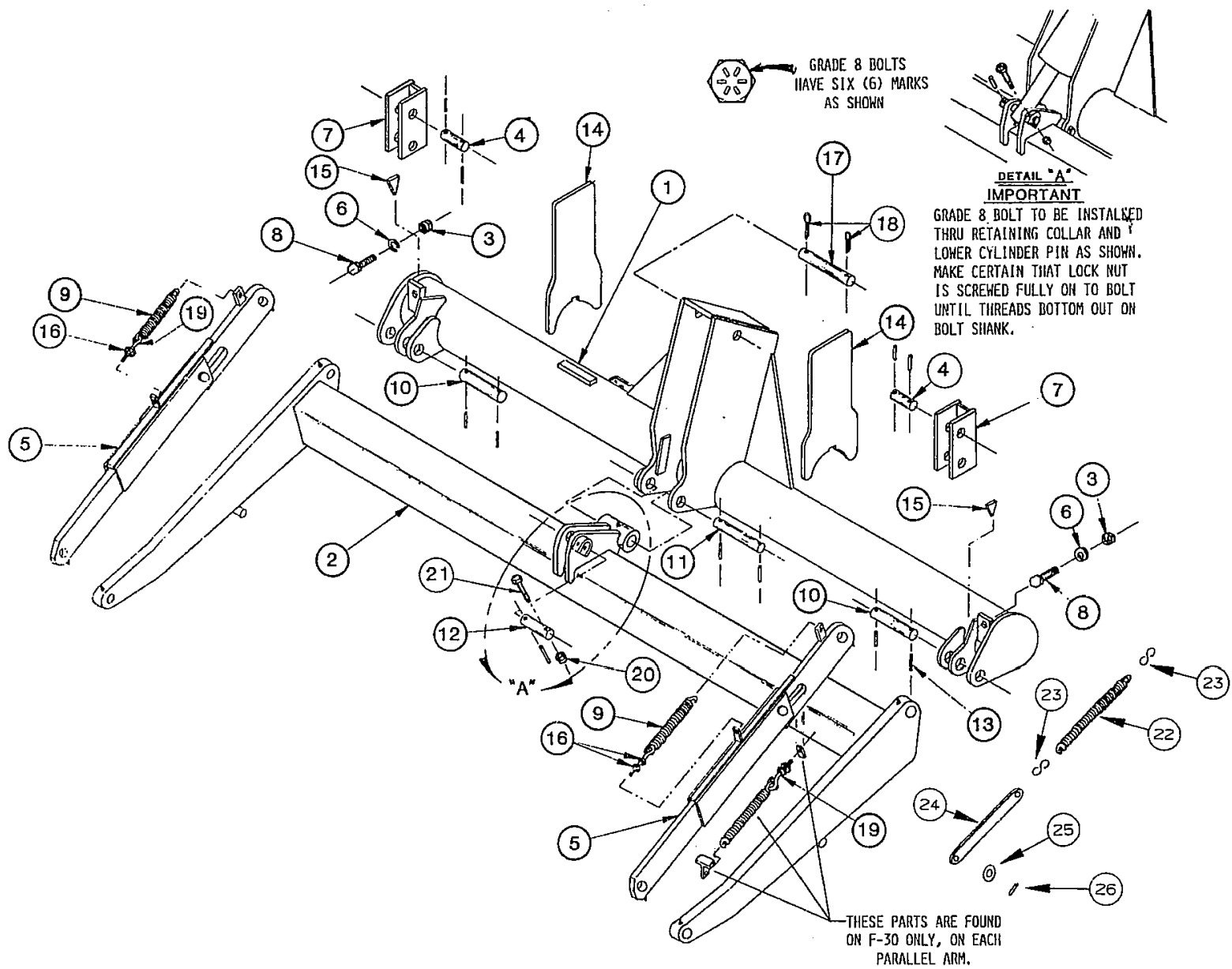


Common Features

- Wide arm design
- Cylinder in tower
- Spec tag on cylinder tower
- Round mount tube
- Square lift tube
- Stop block with bolt adjustment
- Reduced Maintenance design (No grease required) (Released 3-96)
- Reduced Installation Design (No Grease required, Pump attached to Mount Tube as shipped) (Released 1-2000)

	F-20	F-30	F-40
	PM-16 Built from 1978 thru 3-96 PM-387 Built from 3-96 thru 1-00 PM-523 Built from 1-00 thru 3-03 PM-523A Built from 3-03 thru 5-03 PM-523B Built from 5-03	PM-16 Built from 1978 thru 3-96 PM-387 Built from 3-96 thru 1-00 PM-523 Built from 1-00 thru 3-03 PM-523A Built from 3-03 thru 5-03 PM-523B Built from 5-03	PM-23 Built from 1978
Parallel arm	One upper spring	1 or 2 springs	Two springs
Parallel arm	3/4" thick	3/4" thick	1" thick
Lift arm	3/4" thick	1" thick	1" thick
Lift arm center to center dimension.	34" standard 40" extended bed	34" standard N/A extended bed	34" standard 40" extended bed
Mount plate			
Cylinders	One	One	Two

F-20, F-30 MOUNT FRAME ASSEMBLY



WALTCO
TRUCK EQUIPMENT CO.
F-20, F-30

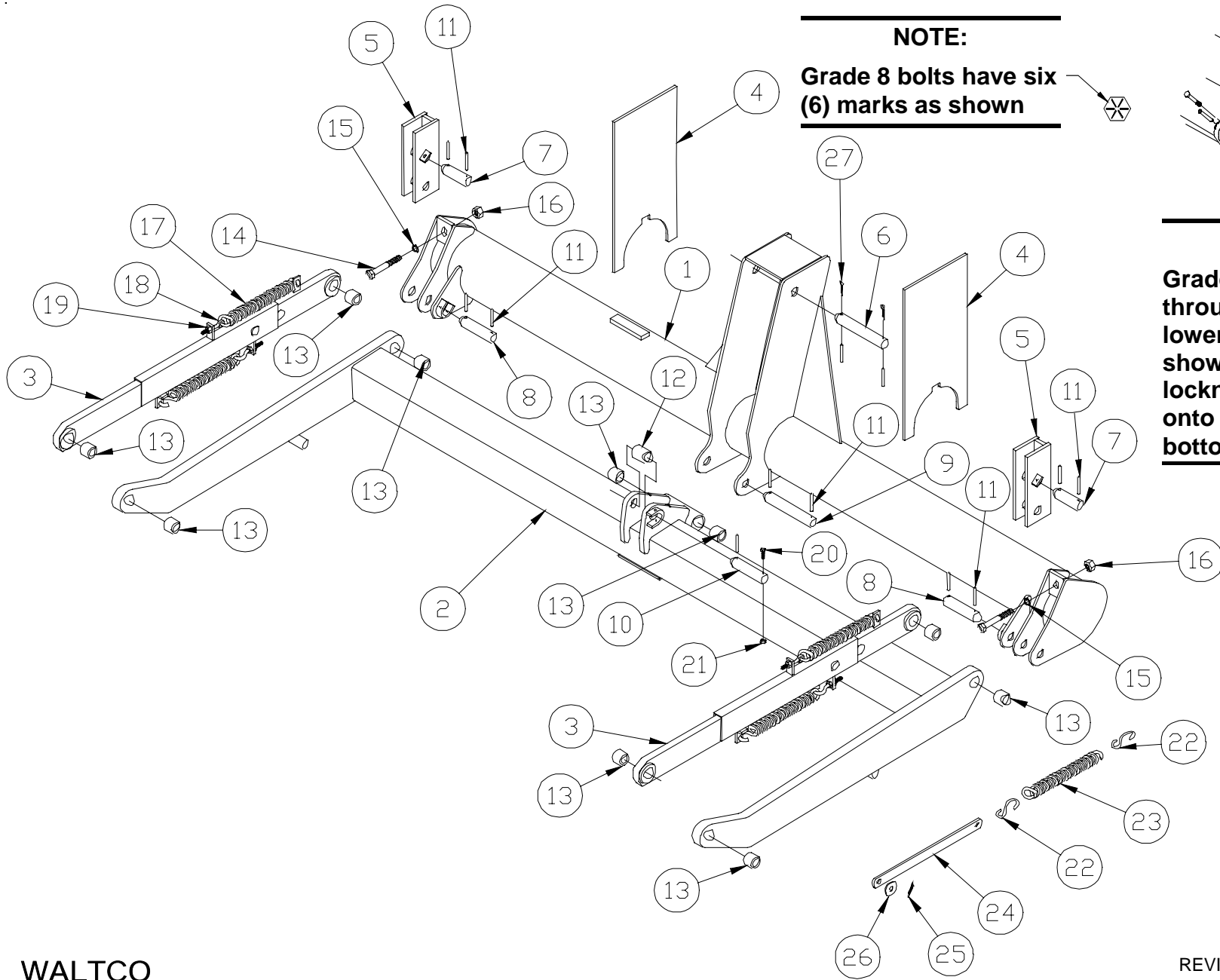
REVISED: 11-8-96
E.O. 2998
REV. 04

PM-16

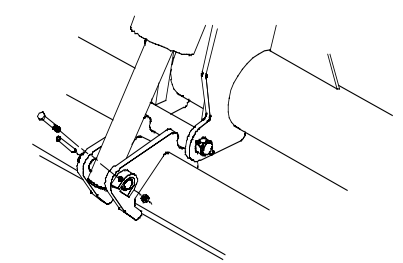
ITEM	PART NUMBER	QTY	DESCRIPTION
1	20220001	1	Mount Frame
2	20230001	1	Lift Arm Assembly (F-20 Only)
	20330001	1	Lift Arm Assembly (F-30 Only)
	20730000	1	Lift Arm Assembly (F-20 Wedge)
	20830000	1	Lift Arm Assembly (F-30 Wedge)
3	75085014	2	3/4"-10 Hex Nut
4	20211200◆	2	Stop Block Pin
5	20250001	2	Parallel Arm Complete (F-20 Only)
	20350001	2	Parallel Arm Complete (F-30 Only)
6	75088087	2	Lock Washer
7	20251003	2	Stop Block Assembly (Half Dip)
	21251003	1	Stop Block Assembly, Curb Side (Level Ride)
	21251053	1	Stop Block Assembly, Street Side (Level Ride)
	20751000*	1	Stop Block Assembly, Curb Side (Full Dip)
	20751050*	1	Stop Block Assembly, Street Side (Full Dip)
8	75086187	2	3/4"-10 x 4" Hex Screw
9	20270200■	4	Extension Spring (2 on F-20)
10	20270700◆	2	Main Pin
11	20270801◆	1	Bearing Pin
12	20271501◆	1	Lower Cylinder Pin
13	75089541◆	11	1/4" Dia. x 1-7/8" Coiled Pin
	25170100	2	Mount Plate (F-20 Only)
	25270100	2	Mount Plate (F-30 Only)
15	25176100	2	Upstop
16	75085003■	4	5/16"-18 Hex Nut (2 on F-20)
17	10170500◆	1	Upper Cylinder Pin
18	75084055◆	2	5/32" Dia. x 2-1/2" Cotter Pin
19	20252100■	4	5/16"-18 x 3-1/2" Eye Bolt w/ Nut (2 on F-20)
20	75085175◆	1	1/4"-20 Self Locking Nut
21	75086215◆	1	1/4"-20 x 2-1/2" Hex Bolt (Grade 8)
22	24271000*	2	Extension Spring
23	75089360*	4	"S" Hook
24	21270400*	2	Equalizer Bar
25	75088056*	2	1/2" ID Washer
26	75084053*	2	Cotter Pin

- * Used only with Wedge Platforms
- ◆ Included with Pin Kit no. 80003310
- Included in Spring Replacement Kit 80000422

MOUNT FRAME ASSEMBLY



NOTE:
Grade 8 bolts have six (6) marks as shown



IMPORTANT:
Grade 8 bolt to be installed through retaining collar and lower cylinder pin as shown. Make certain that locknut is screwed fully onto bolt until threads bottom out on bolt shank.

**WALTCO
TRUCK EQUIPMENT CO.
F-20RM & F-30RM**

REVISED: 09/28/01
E.O. 4585
REV. 05

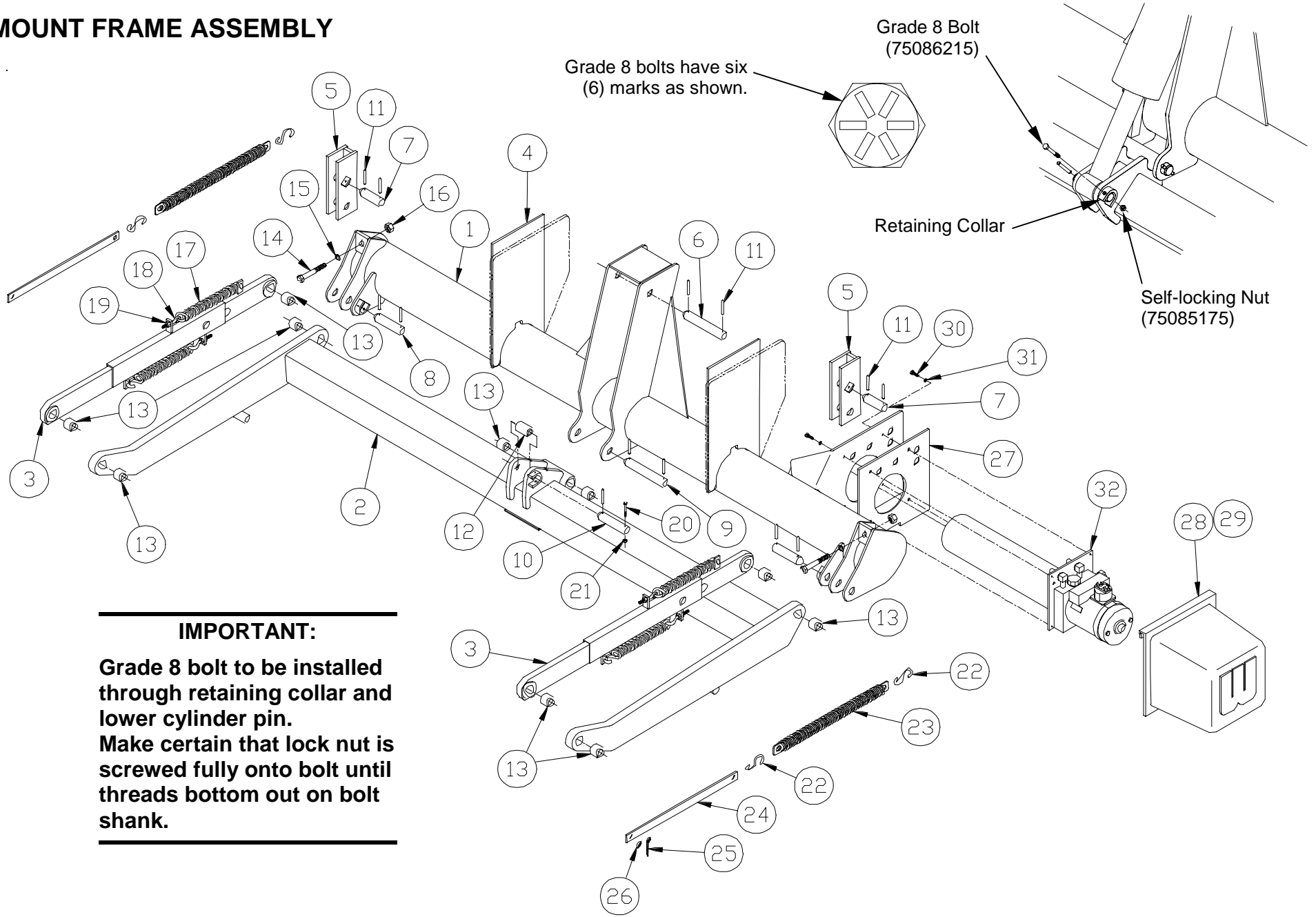
PM-387

ITEM	PART NUMBER	QTY	DESCRIPTION
1	20220003	1	Mount Frame
2	20330003	1	Lift Arm Assembly
	20330004		Lift Arm Assy (Extended bed only)
	20830003		Lift Arm Assy (Wedge only)
3	20250003	2	Parallel Arm (F-20RM)
	20350003		Parallel Arm (F-30RM)
	20250004		Parallel Arm (Extended bed only)
4	25170100	2	Mount Plate (F-20RM)
	25270100		Mount Plate (F-30RM)
5	20251003	2	Stop Block Assembly (Half Dip)
	21251003	1	Stop Block Assembly (Level Ride) (C.S.)
	21251053	1	Stop Block Assembly (Level Ride) (D.S.)
	20751000	1	Stop Block Assembly (C.S.) (Full Dip)*
	20751050	1	Stop Block Assembly (D.S.) (Full Dip)*
6	20370300	1	Upper Cylinder Pin
7	20370500	2	Stop Block Pin
8	20370400	2	Main Pin
9	20370300 ^A	1	Bearing Pin
10	20271501 ^A	1	Lower Cylinder Pin
11	75089541 ^A	13	1/4" Dia. x 1-7/8" Coiled Pin
12	10010133	1	Bearing, 7/8" I.D. x 1-3/4" Lg.
13	85803391	10	Bearing, 1" I.D. x 1" Lg.
14	75086187	2	3/4"-10 x 4" Hex Head Screw
15	75088087	2	Lock Washer
16	75085014	2	3/4"-10 Hex Nut
17	20270400 ^B	2	Extension Spring
18	20252200 ^B	2	5/16"-18 x 3-1/2" Eye Bolt W/Nut
19	75085003 ^B	4	5/16"-18 Hex Nut
20	75086215 ^A	1	1/4"-20 x 2-1/2" Bolt (Grade 8)
21	75085175 ^A	1	1/4"-20 Self Locking Nut
22	75089360	4	"S" Hook *
23	24271000	2	Extension Spring *
24	21270400	2	Equalizer Bar *
25	75084053	2	Cotter Pin *
26	75088056	2	1/2" I.D. Washer *

^A Included in Cylinder Replacement Kit 20295401.
^B Included in Spring Replacement Kit 80000422.

* Use Only With Wedge Platforms

MOUNT FRAME ASSEMBLY



IMPORTANT:
Grade 8 bolt to be installed through retaining collar and lower cylinder pin. Make certain that lock nut is screwed fully onto bolt until threads bottom out on bolt shank.

**WALTCO
 TRUCK EQUIPMENT CO.
 F-20RM & F-30RM**

REVISED: 3-8-02
 E.O. 4688
 REV. 03

PM-523

ITEM	PART NUMBER	QTY	DESCRIPTION
1	20220020	1	Mount Frame
2	20330003	1	Lift Arm Assembly
	20330004		Lift Arm Assembly (Extended bed only)
	20830003		Lift Arm Assembly (Wedge only) *
3	20250003	2	Parallel Arm (F-20RM)
	20350003		Parallel Arm (F-30RM)
	20250004		Parallel Arm (Extended bed only)
4	25170100	2	Mount Plate (F-20RM)
	25270100		Mount Plate (F-30RM)
5	20251003 ^C	2	Stop Block Assembly (Half Dip)
	21251003 ^D		Stop Block Assembly (Level Ride) (C.S.)
	21251053 ^D		Stop Block Assembly (Level Ride) (D.S.)
	20751000		Stop Block Assembly (Full Dip) (C.S.) *
	20751050		Stop Block Assembly (Full Dip) (D.S.) *
6	20370300 ^{A,F}	1	Upper Cylinder Pin
7	20370500 ^A	2	Stop Block Pin
8	20370400 ^A	2	Main Pin
9	20370300 ^A	1	Bearing Pin
10	20271501 ^{A,F}	1	Lower Cylinder Pin
11	75089541 ^{A,B,F}	13	1/4" Dia. x 1-7/8" Coiled Pin
12	10010133 ^B	1	Bearing 7/8" I.D. x 1-3/4" Lg.
13	85803391 ^B	10	Bearing 1" I.D. x 1" Lg.
14	75086187 ^{C,D}	2	3/4"-10 x 4" Hex Head Screw
15	75088087 ^{C,D}	2	Lock Washer
16	75085016 ^{C,D}	2	3/4"-10 Hex Nut
17	20270400 ^G	2	For F-20RM
		4	For F-30RM
18	20252200 ^G	2	5/16"-18 x 3-1/2" Eye Bolt W/Nut
			75085003 ^G
19	75085003 ^G	4	5/16"-18 Hex Nut
20	75086215 ^{A,B,F}	1	1/4"-20 x 2-1/2" Bolt (Grade 8)
21	75085175 ^{A,B,F}	1	1/4"-20 Self Locking Nut
22	75089360 ^E	4	"S" Hook *
23	24271000 ^E	2	Extension Spring *
24	21270400 ^E	2	Equalizer Bar *
25	75084053 ^E	2	Cotter Pin *
26	75088056 ^E	2	1/2" I.D. Washer *
27	10090410	1	Pump Cover Gasket
28	10090400	1	Pump Cover (with latch)
29	10090420	1	Cover Latch

ITEM	PART NUMBER	QTY	DESCRIPTION
30	75086212	4	1/4"-20 x 1-1/4" lg. Bolt
31	75088079	4	1/4" Lockwasher
32	See individual Parts Manual Sheets for Power Unit Information.		

* Use only with Wedge Platforms.

^A Included in Pin Replacement Kit 80000736.

^B Included in Bearing Replacement Kit 80000735.

^C Included in Stop Block Replacement Kit 80000929.

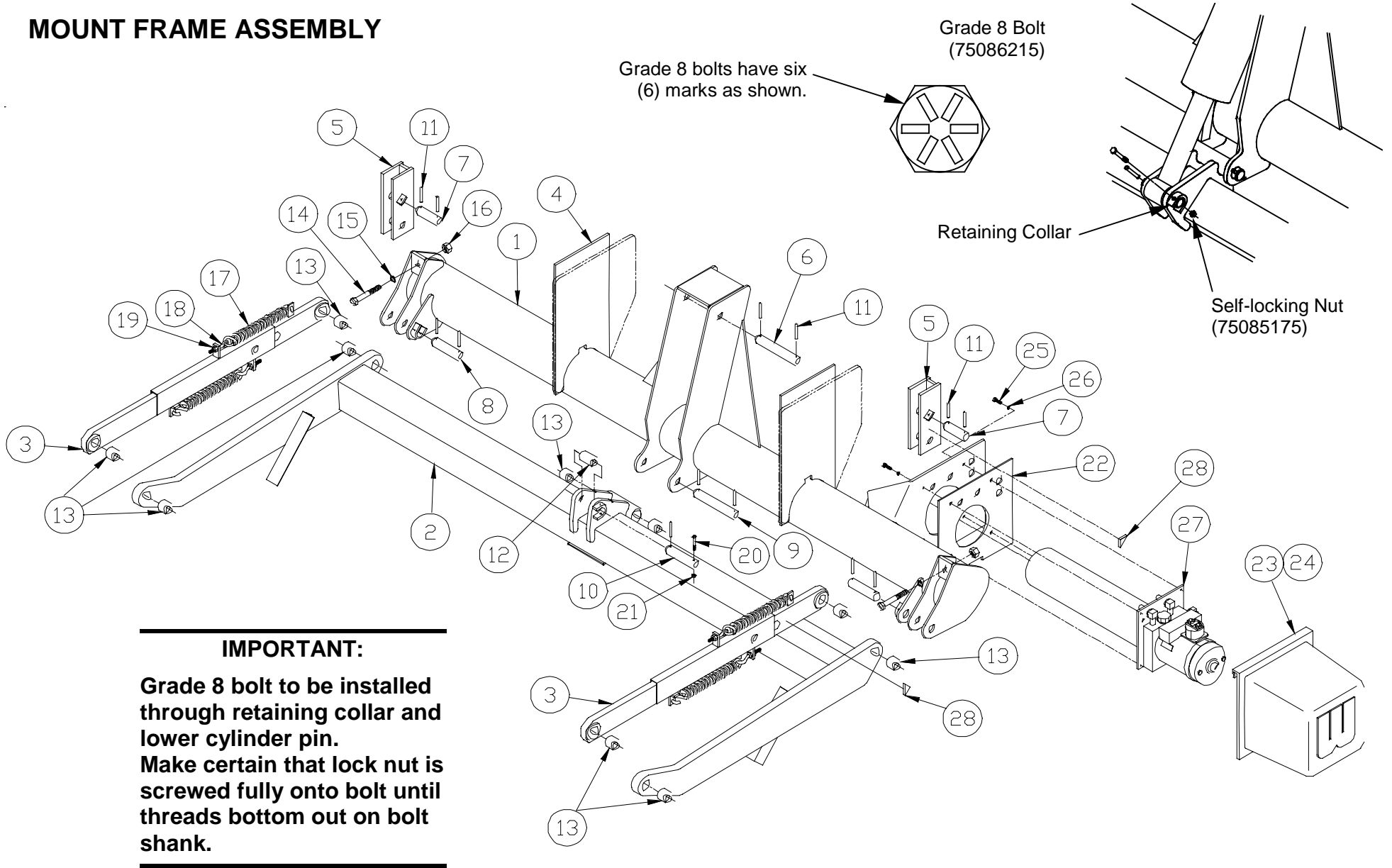
^D Included in Stop Block Replacement Kit 80000930.

^E Included in Bar and Spring Replacement Kit 80000935.

^F Included in Cylinder Replacement Kit 20295401.

^G Included in Spring Replacement Kit 80000422.

MOUNT FRAME ASSEMBLY



IMPORTANT:
Grade 8 bolt to be installed through retaining collar and lower cylinder pin.
Make certain that lock nut is screwed fully onto bolt until threads bottom out on bolt shank.

WALTCO
TRUCK EQUIPMENT CO.
F-20RM & F-30RM

REVISED: 3/21/03
 E.O. 4978
 REV. 03

PM-523A

ITEM	PART NUMBER	QTY	DESCRIPTION	
1	20220020	1	Mount Frame	
2	20330006	1	Lift Arm Assembly	
	20330007		Lift Arm Assembly (Extended bed only)	
3	20250003	2	Parallel Arm (F-20RM)	
	20350003		Parallel Arm (F-30RM)	
	20250004		Parallel Arm (Extended bed only)	
4	25170100	2	Mount Plate (F-20RM)	
	25270100		Mount Plate (F-30RM)	
5	20251003 ^C	2	Stop Block Assembly (Half Dip)	
	21251003 ^D	1	Stop Block Assembly (Level Ride) (C.S.)	
	21251053 ^D	1	Stop Block Assembly (Level Ride) (D.S.)	
	20751000	1	Stop Block Assembly (Full Dip) (C.S.) *	
	20751050	1	Stop Block Assembly (Full Dip) (D.S.) *	
6	20370300 ^{A E}	1	Upper Cylinder Pin	
7	20370500 ^A	2	Stop Block Pin	
8	20370400 ^A	2	Main Pin	
9	20370300 ^A	1	Bearing Pin	
10	20271501 ^{A E}	1	Lower Cylinder Pin	
11	75089541 ^{A B E}	13	1/4" Dia. x 1-7/8" Coiled Pin	
12	10010133 ^B	1	Bearing 7/8" I.D. x 1-3/4" Lg.	
13	85803391 ^B	10	Bearing 1" I.D. x 1" Lg.	
14	75086187 ^{C D}	2	3/4"-10 x 4" Hex Head Screw	
15	75088087 ^{C D}	2	Lock Washer	
16	75085016 ^{C D}	2	3/4"-10 Hex Nut	
17	20270400 ^F	2	For F-20RM	Extension Spring
		4	For F-30RM	
18	20252200 ^F	2	5/16"-18 x 3-1/2" Eye Bolt W/Nut	
19	75085003 ^F	4	5/16"-18 Hex Nut	
20	75086215 ^{A B E}	1	1/4"-20 x 2-1/2" Bolt (Grade 8)	
21	75085175 ^{A B E}	1	1/4"-20 Self Locking Nut	
22	10090410	1	Pump Cover Gasket	
23	10090400	1	Pump Cover (with latch)	
24	10090420	1	Cover Latch	
25	75086212	4	1/4"-20 x 1-1/4" lg. Bolt	
26	75088079	4	1/4" Lockwasher	
27	See individual Parts Manual Sheets for Power Unit Information.			
28	25176100	4	Up-Stop	

^A Included in Pin Replacement Kit 80000736.

^B Included in Bearing Replacement Kit 80000735.

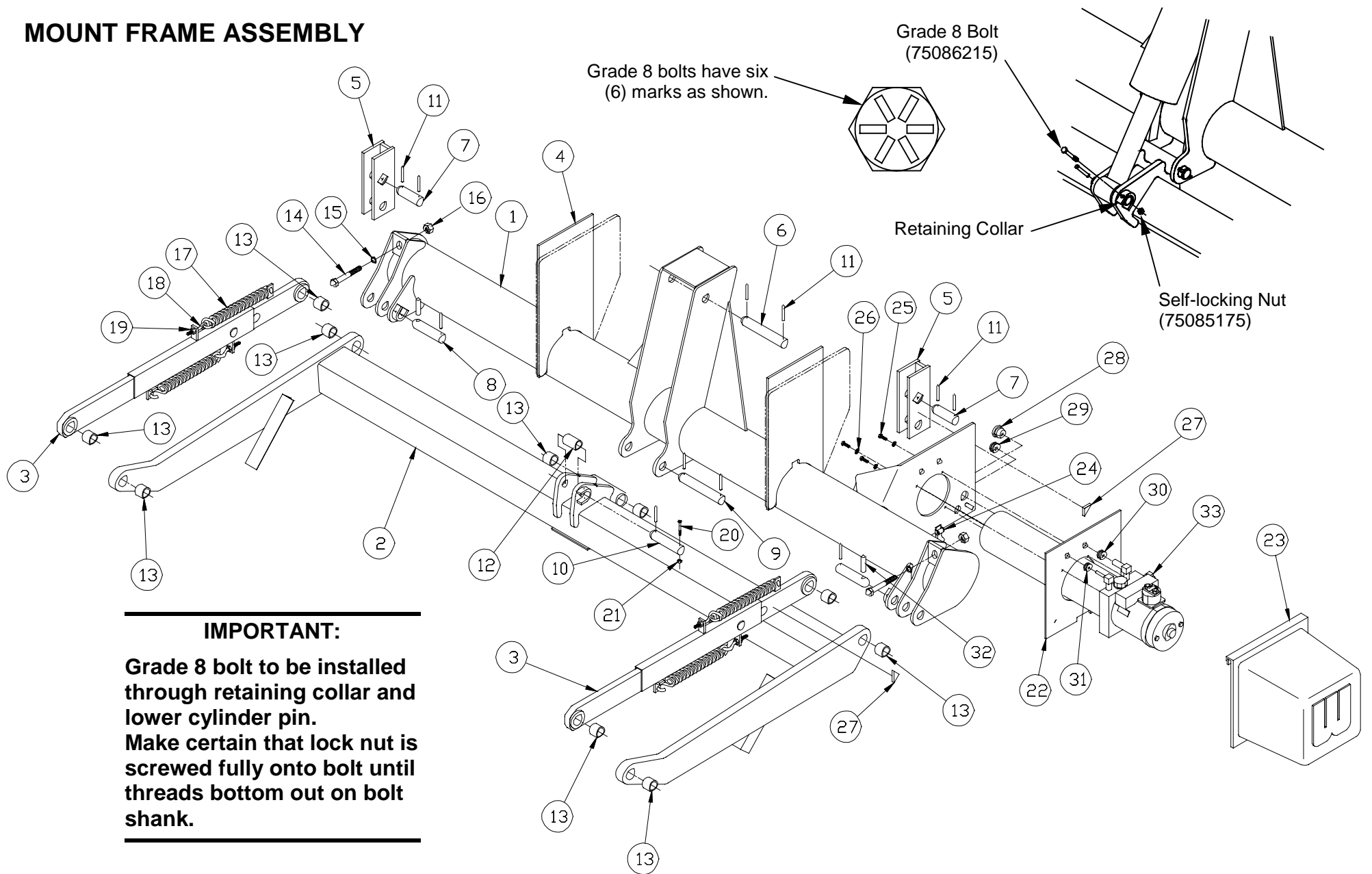
^C Included in Stop Block Replacement Kit 80000929.

^D Included in Stop Block Replacement Kit 80000930.

^E Included in Cylinder Replacement Kit 20295401.

^F Included in Spring Replacement Kit 80000422.

MOUNT FRAME ASSEMBLY



WALTCO
TRUCK EQUIPMENT CO.
F-20RM & F-30RM

REVISED: 9/26/03
 E.O. 5034
 REV. 04

PM-523B

ITEM	PART NUMBER	QTY	DESCRIPTION	
1	20220020	1	Mount Frame	
2	20330006	1	Lift Arm Assembly	
	20330007		Lift Arm Assembly (Extended bed only)	
3	20250003	2	Parallel Arm (F-20RM)	
	20350003		Parallel Arm (F-30RM)	
	20250004		Parallel Arm (Extended bed only)	
4	25170100	2	Mount Plate (F-20RM)	
	25270100		Mount Plate (F-30RM)	
5	20251003 ^C	2	Stop Block Assembly (Half Dip)	
	21251003 ^D	1	Stop Block Assembly (Level Ride) (C.S.)	
	21251053 ^D	1	Stop Block Assembly (Level Ride) (D.S.)	
	20751000	1	Stop Block Assembly (Full Dip) (C.S.) *	
	20751050	1	Stop Block Assembly (Full Dip) (D.S.) *	
6	20370300 ^{A E}	1	Upper Cylinder Pin	
7	20370500 ^A	2	Stop Block Pin	
8	20370400 ^A	2	Main Pin	
9	20370300 ^A	1	Bearing Pin	
10	20271501 ^{A E}	1	Lower Cylinder Pin	
11	75089541 ^{A B E}	13	1/4" Dia. x 1-7/8" Roll Pin	
12	10010171 ^B	1	Bearing 7/8" I.D. x 1-3/4" Lg.	
13	85803391 ^B	10	Bearing 1" I.D. x 1" Lg.	
14	75086187 ^{C D}	2	3/4"-10 x 4" Hex Head Screw	
15	75088087 ^{C D}	2	Lock Washer	
16	75085016 ^{C D}	2	3/4"-10 Hex Nut	
17	20270400 ^F	2	For F-20RM	Extension Spring
		4	For F-30RM	
18	20252200 ^F	2	5/16"-18 x 3-1/2" Eye Bolt W/Nut	
19	75085003 ^F	4	5/16"-18 Hex Nut	
20	75086215 ^{A B E}	1	1/4"-20 x 2-1/2" Bolt (Grade 8)	
21	75085175 ^{A B E}	1	1/4"-20 Self Locking Nut	
22	10090460	1	Pump Cover Gasket	
23	10090450	1	Pump Cover (with latch)	
24	27391301	1	Cover Latch	
25	75086212	3	1/4"-20 x 1-1/4" lg. Bolt	
26	75088079	3	1/4" Lock Washer	
27	25176100	4	Up-Stop	
28	75089342	1	Grommet, Control Cord	
29	75089334	1	Grommet, Battery Cable	
30	70401408	1 or 2	Grommet for 7/16" JIC fitting	
31	70401409	1	Grommet for 1/4" hose stem fitting	
32	75089542 ^A	2	1/2" x 2" Roll Pin	
33	See individual Parts Manual Sheets for Power Unit Information.			

^A Included in Pin Replacement Kit 80000736.

^B Included in Bearing Replacement Kit 80000735.

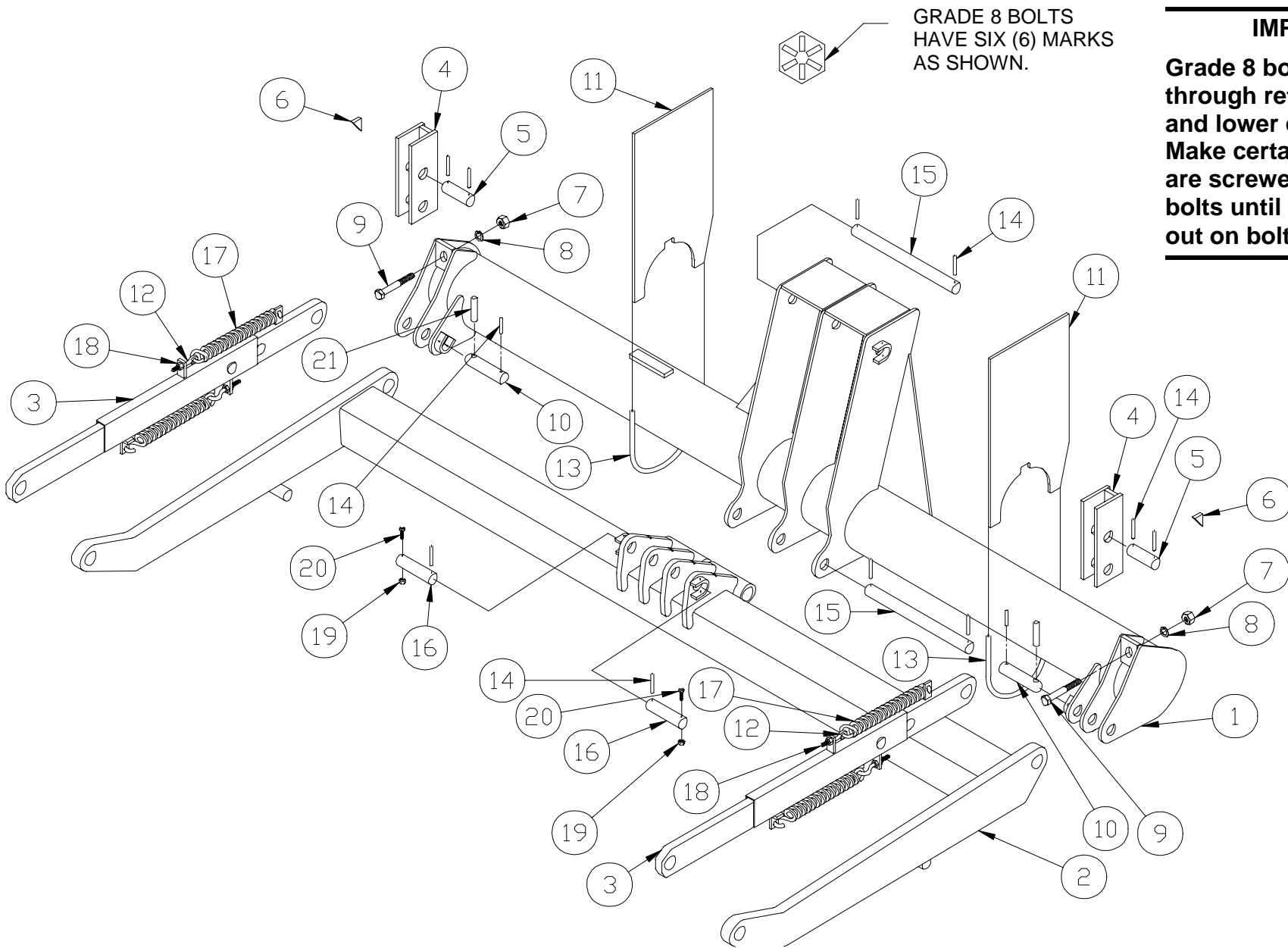
^C Included in Stop Block Replacement Kit 80000929.

^D Included in Stop Block Replacement Kit 80000930.

^E Included in Cylinder Replacement Kit 20295401.

^F Included in Spring Replacement Kit 80000422.

MOUNT FRAME ASSEMBLY



WALTCO
TRUCK EQUIPMENT CO.
F-40

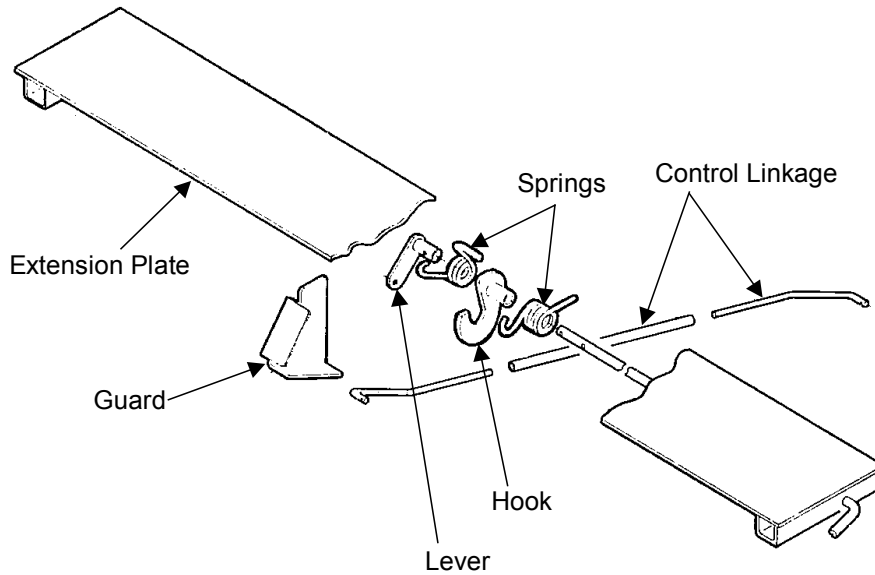
REVISED: 9/26/03
E.O. 5034
REV. 12

PM-23

ITEM	PART NUMBER	QTY	DESCRIPTION
1	20420001	1	Mount Frame Assembly
2	20430001	1	Lift Arm Assembly
3	20450001	2	Parallel Arm Assembly Complete
4	20251003 ^C	2	Stop Block (Half Dip)
	21251003 ^D	1	Stop Block (C.S.)(Level Ride)
	21251053 ^D	1	Stop Block (D.S.)(Level Ride)
5	20370100*	2	Stop Block Pin
6	25176100 ^{CD}	2	Up Stop
7	75085016 ^{CD}	2	3/4"-10 Hex Nut (Grade 5)
8	75088087 ^{CD}	2	Lock Washer
9	75086187 ^{CD}	2	3/4"-10 x 4" Hex Head Screw
10	20370400 *	2	Main Pin
11	25270100	2	Mount Plate
12	20252200 ^E	4	5/16"-18 x 3-1/2" Eye Bolt W/Nut
13	11170300	2	"U" Bar
14	75089541 *	16	1/4" x 1-7/8" Roll Pin
15	20470801 *	2	Bearing Pin
16	20271501 *	2	Lower Cylinder Pin
17	20270400 ^E	4	Extension Spring
18	75085003 ^E	4	5/16"-18 Hex Nut
19	75085175 *	2	1/4"-20 Self Locking Nut
20	75086215 *	2	1/4"-20 x 2-1/2" Bolt (Grade 8)
21	75089542 *	2	1/2" x 2" Roll Pin

* Included in Pin Replacement Kit 80003320
^C Included in Stop Block Replacement Kit 80000929.
^D Included in Stop Block Replacement Kit 80000930
^E Included in Spring Replacement Kit 80000422.

F-SERIES BED EXTENSION ASSEMBLY

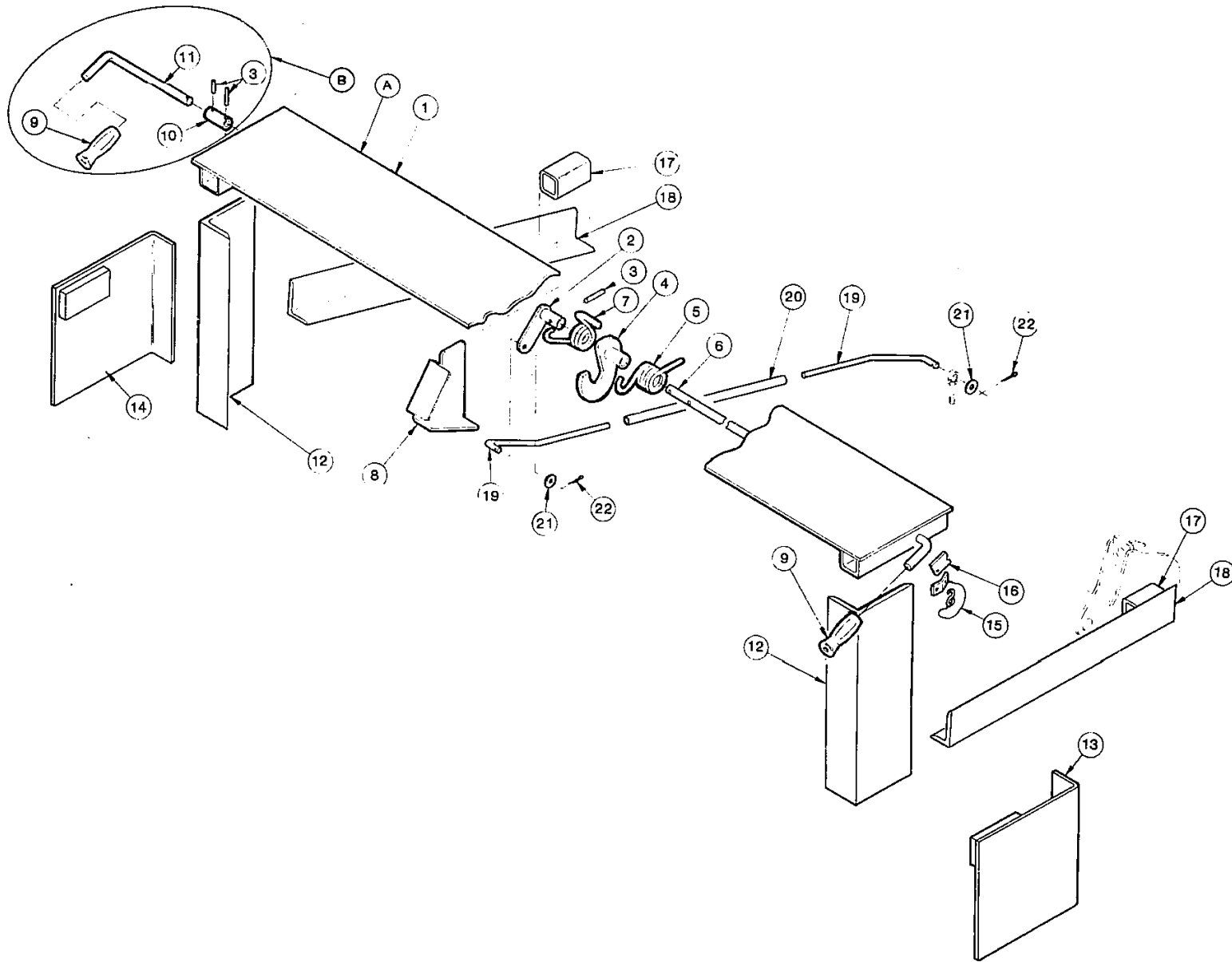


Common Features

- 10" deep extension plate
- 94" or 100" wide extension plate
- 1/4" extension plate

PM-30 Built thru 2-94	PM-381 Built from 2-94 thru 3-95	PM-30A Built from 3-95 thru 3-96 PM-417 Built from 3-96 thru 1-00 PM-508 Built from 1-00 thru 5-03 PM-508A Built from 5-03
Manual or Electric Controls	Electric Controls Only	Electric Controls Only
Guard	No guard	No guard
Two springs	One spring	One spring
Lever	No lever	No lever
Control linkage (on manual units only)	No control linkage	No control linkage
Hook with lever actuator	Hook without lever actuator	Hook with nub

F-20, 30, 40 BED EXTENSION



**WALTCO
TRUCK EQUIPMENT CO.
F-SERIES**

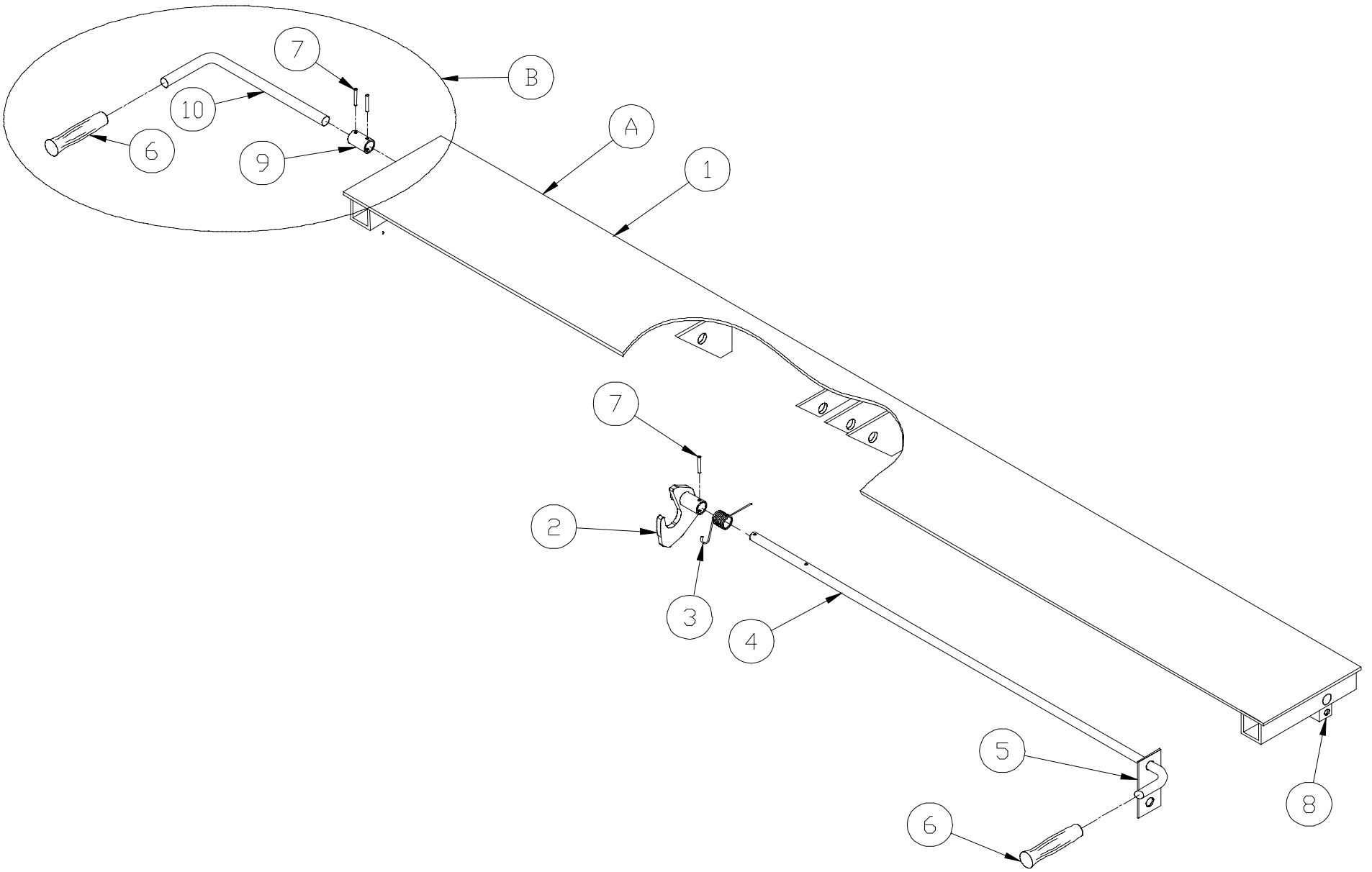
REVISED: 7-85

PM-30

ITEM	PART NUMBER	QTY	DESCRIPTION
A	20260003	1	Bed Extension (Includes Items 1 thru 9)
B	80000420	1	Flipaway Dual Control Kit (Includes Items 3, 9, 10, 11)
1	20261003	1	Bed Extension Sub-Assembly
2	26263000	1	Lever Assembly
3	75089547	1	3/16" Dia. x 1" Coiled Pin (3 Used on Dual Control)
4	20262003	1	Hook Assembly
5	20261600	1	Torsion Spring
6	20265100	1	Control Handle
7	20261800	1	Torsion Spring
8	20261503	1	Control Guard
9	75089330	1	Rubber Grip (2 Used on Dual Control)
10	26263202	1	Dual Control Sleeve
11	26265102	1	Dual Control Handle
12	20297101	2	Dock Bumper Angle
13	20297500	1	Tail Light Guard Assembly (Curb Side)
14	20297550	1	Tail Light Guard Assembly (Street Side)
15	26297000	1	Lockout Device
16	22197103	1	Lockout Bar
17	20298100	2	Connecting Tube
18	20298401	2	Dock Bumper Brace
19	26291100	2	Control Rod
20	20291200	1	Control Rid Tube
21	75088052	2	5/16" Flat Washer
22	75084053	2	3/32" Dia. x 1" Cotter Pin

F, C, E, SERIES BED EXTENSION, ELECTRIC CONTROLS

* For some Bed Extensions sold between February 1994 and March 1995



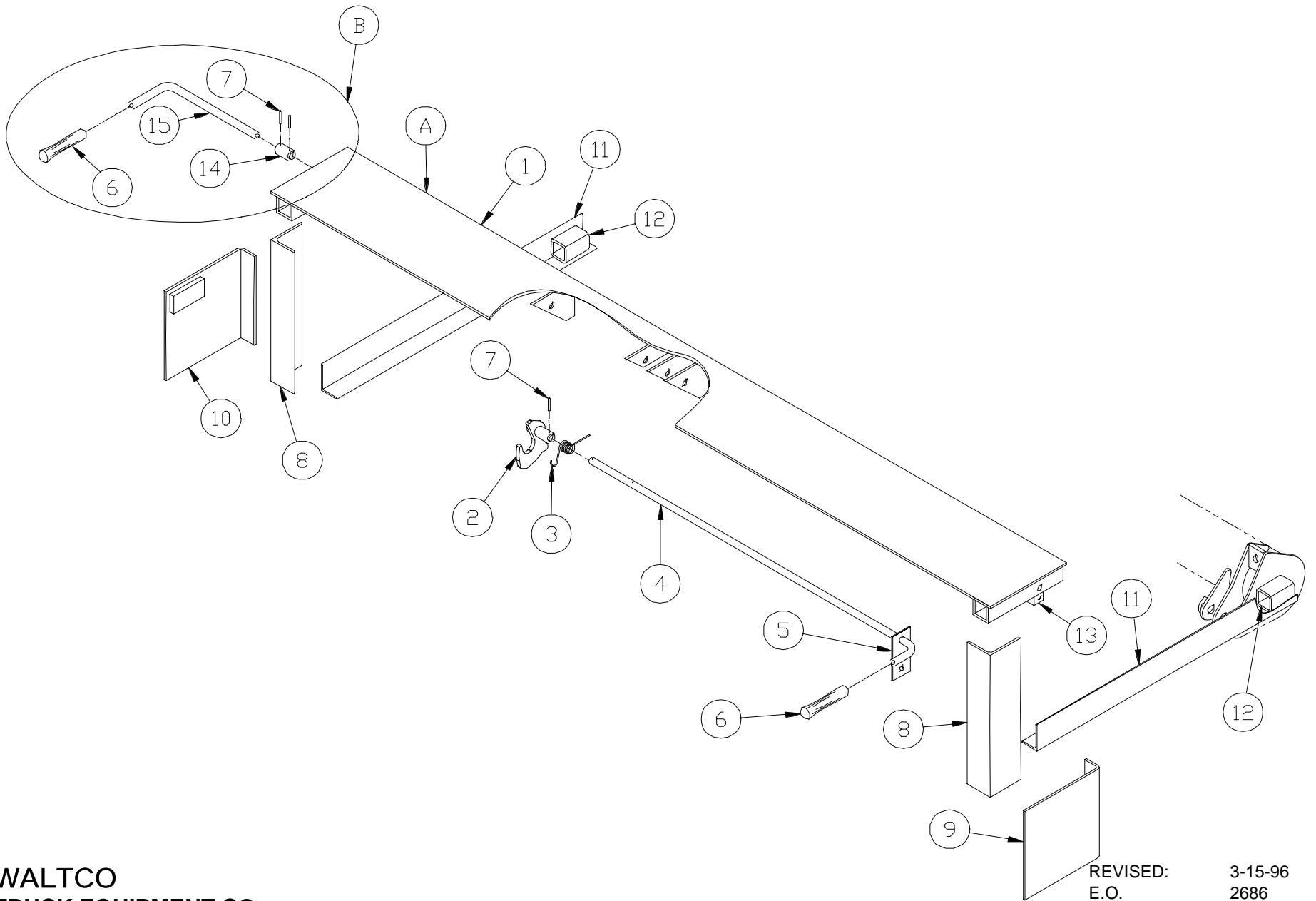
**WALTCO
TRUCK EQUIPMENT CO.
F, C, E, SERIES**

REVISED: 10-11-96
E.O. 2968
REV. 02

PM-381

ITEM	PART NUMBER	QTY	DESCRIPTION
A	20260005	1	Bed Extension Assembly Complete (96" Wide) (F-Series Only)
	20260006	1	Bed Extension Assembly Complete (102" Wide) (F-Series Only)
	22160005	1	Bed Extension Assembly Complete (C-Series Only)
	26260001	1	Bed Extension Assembly Complete (E-Series Only)
B	80000420	1	Flipaway Dual Control Kit (Includes Items 3, 7, 9, 10)
1	26261004	1	Bed Extension Sub Assembly (96" Wide) (F-Series Only)
	26261005	1	Bed Extension Sub Assembly (102" Wide) (F-Series Only)
	22161005	1	Bed Extension Sub Assembly (C-Series Only)
	26261001	1	Bed Extension Sub Assembly (E Series Only)
2	20262005	1	Hook Assembly (F-Series Only)
	22162005	1	Hook Assembly (C-Series Only)
	26262001	1	Hook Assembly (E-Series Only)
3	20261600	1	Torsion Spring
4	20265105	1	Control Handle (96" Wide)
	20265106	1	Control Handle (102" Wide)
5	22197104	1	Lock Out Clip
6	75089330	1	Rubber Grip (2 Used on Dual Control)
7	75089547	1	3/16" Dia. Coiled Pin (3 Used on Dual control)
8	33021800	1	Lock Out Clip
9	26263202	1	Dual Control Sleeve
10	26265102	1	Dual Control Handle

F-SERIES BED EXTENSION



WALTCO
TRUCK EQUIPMENT CO.
F-SERIES

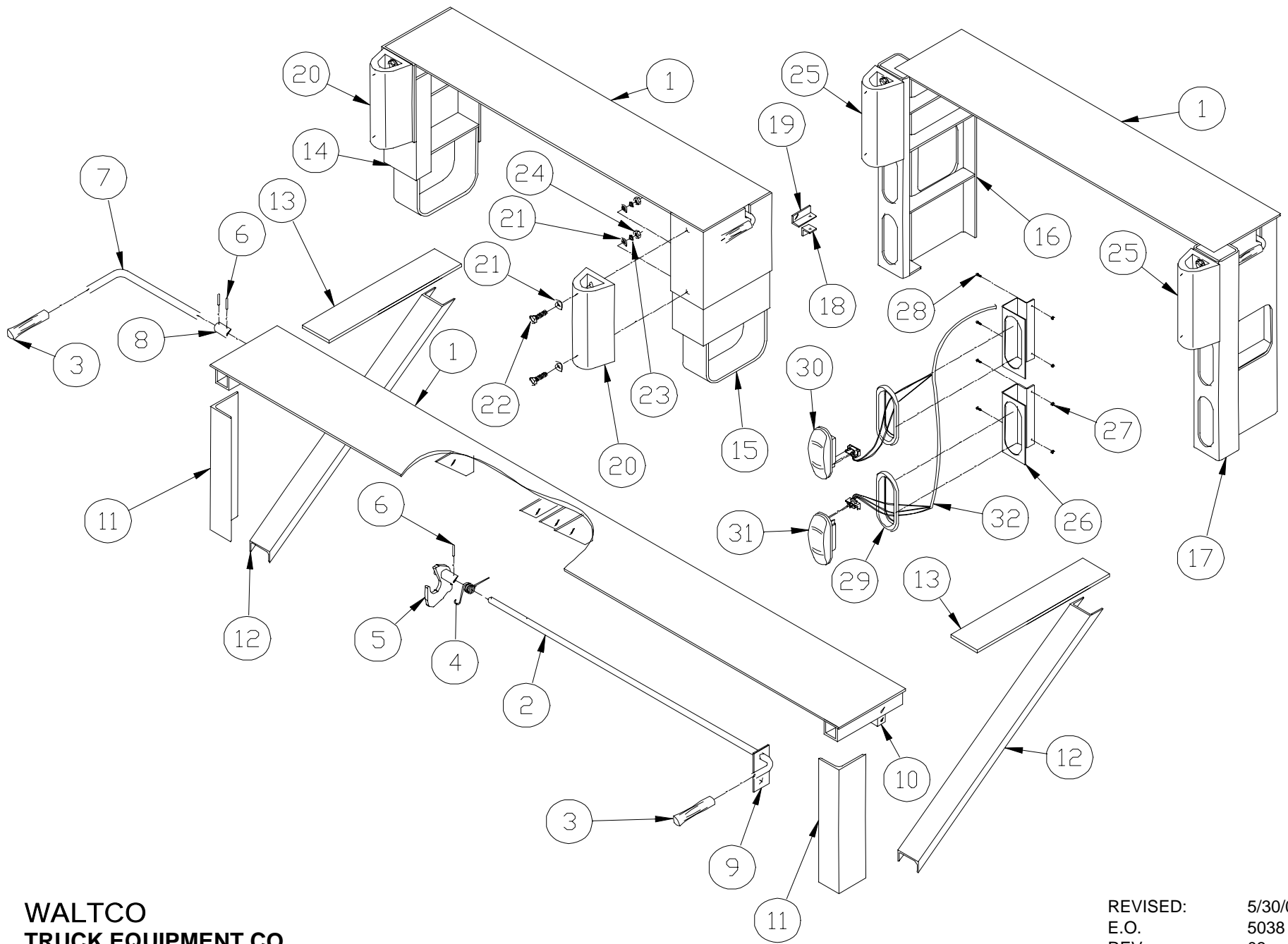
REVISED:
E.O.
REV.

3-15-96
2686
02

PM-30A

ITEM	PART NUMBER	QTY	DESCRIPTION
A	26260002	1	Bed Extension Assembly Complete (96" Wide)
	26260003	1	Bed Extension Assembly Complete (102" Wide)
B	80000420	1	Flipaway Dual Control Kit<R> (Includes Items 3 9 10 11)
1	26261002	1	Bed Extension Sub Assembly (96" Wide)
	26261003	1	Bed Extension Sub Assembly (102" Wide)
2	26262002	1	Hook Assembly
3	20261600	1	Torsion Spring
4	20265105	1	Control Handle (96" Wide)
	20265106	1	Control Handle (102" Wide)
5	20297104	1	Lock Out Clip
6	75089330	1	Rubber Grip (2 Used on Dual Control)
7	75089547	1	3/16" Dia. Coiled Pin(3 Used on Dual control)
8	20297101	2	Dock Bumper Angle
9	20297500	1	Tail Light Guard Assembly (Curb Side Only)
10	20297550	1	Tail Light Guard Assembly (Driver's Side Only)
11	20298401	2	Dock Bumper Brace
12	20298100	2	Connecting Tube
13	33021800	1	Lock Out Clip
14	26263202	1	Dual Control Sleeve
15	26265102	1	Dual Control Handle

F, C, E SERIES BED EXTENSION



**WALTCO
TRUCK EQUIPMENT CO.
F, C, E SERIES**

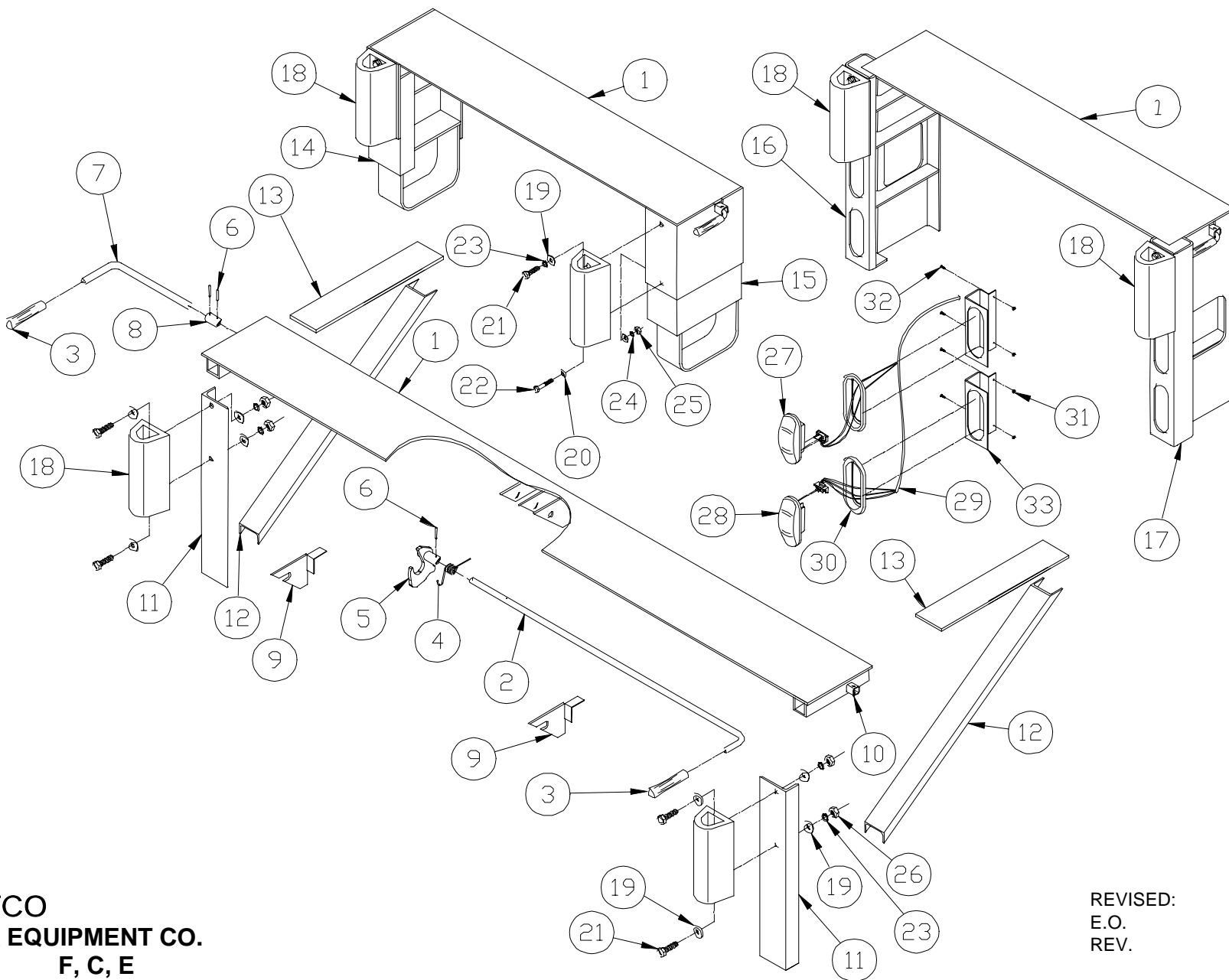
REVISED: 5/30/03
E.O. 5038
REV. 03

PM-417

ITEM	PART NUMBER	QTY	DESCRIPTION
1	26260002	1	Bed Extension - 96"
	26260003	1	Bed Extension - 102"
2	20265105	1	Control Handle (96" Bed Extension)
	20265106	1	Control Handle (102" Bed Extension)
3	75089330 ❖	1	Rubber Grip (2 Used On Dual Control)
4	20261600	1	Torsion Spring
5	26262002	1	Hook Assembly
6	75089547 ❖	1	Coiled Pin (3 Used On Dual Control Units)
7	26265102 ❖	1	Dual Control Handle (Dual Control Only)
8	26263202 ❖	1	Connector Sleeve (Dual Control Only)
9	22197104	1	Lockout Bar
10	33021800	1	Lockout Clip
11	26297102 ⌘	2	Dock Bumper Angle
12	26298003 ⌘	2	Support Channel
13	26298004 ⌘	2	Support Bar
14	26298052 ■	1	Dock Bumper (Driver's Side)
15	26298002 ■	1	Dock Bumper (Curb Side)
16	22597051 ○	1	Dock Bumper for lights (Driver's Side)
17	22597001 ○	1	Dock Bumper for lights (Curb Side)
18	26298600 ■○	1	Lockout Angle
19	26298500 ■○	1	Lockout Angle
20	26297602 ◆	2	Rubber Bumper
21	75088057 ●◆	8	Washer 5/8"
22	75086159 ●◆	4	Hex Bolt 5/8"-11 x 3" lg. Grade 2
23	75088085 ●◆	4	Lock Washer 5/8"
24	75085012 ●◆	4	Hex Nut 5/8"-11
25	26297600 ●	2	Rubber Bumper
26	22597102 ○	4	Tail Light Bracket
27	75085000 ○	8	Hex Nut #10-32
28	75086732 ○	8	Machine Screw #10-32 x 1" lg.
29	75089376 ○	4	Light Grommet
30	75089374 ○	2	Tail Light Backup (Tractors only) (Clear)
	75089373 ○	2	Tail Light S, T & T (Trailers only) (Red)
31	75089373 ○	2	Tail Light S, T & T (Red)
32	22575200 ○	2	Harness, 2 Lamp

- ❖ Included in dual control kit 80000420
- Rubber Bumper Kit 26297003 (For Heavy Duty Dock Bumper Kits)
- Rubber Bumper Kit 22596011 (For Super Duty Dock Bumper Kits with Lights)
- ◆ Rubber Bumper Kit 26297002 (For Super Duty without Lights)
- Super Duty Dock Bumper Kit 26296002 (without Lights)
- Super Duty Dock Bumper Kit With (4) Lights 22596001 (Tractor)
- Super Duty Dock Bumper Kit With (4) Lights 22596001 (Trailer)
- ⌘ Heavy Duty Dock Bumper Kit 26296003

BED EXTENSION



**WALTCO
TRUCK EQUIPMENT CO.
F, C, E**

REVISED: 5/30/03
E.O. 5038
REV. 04

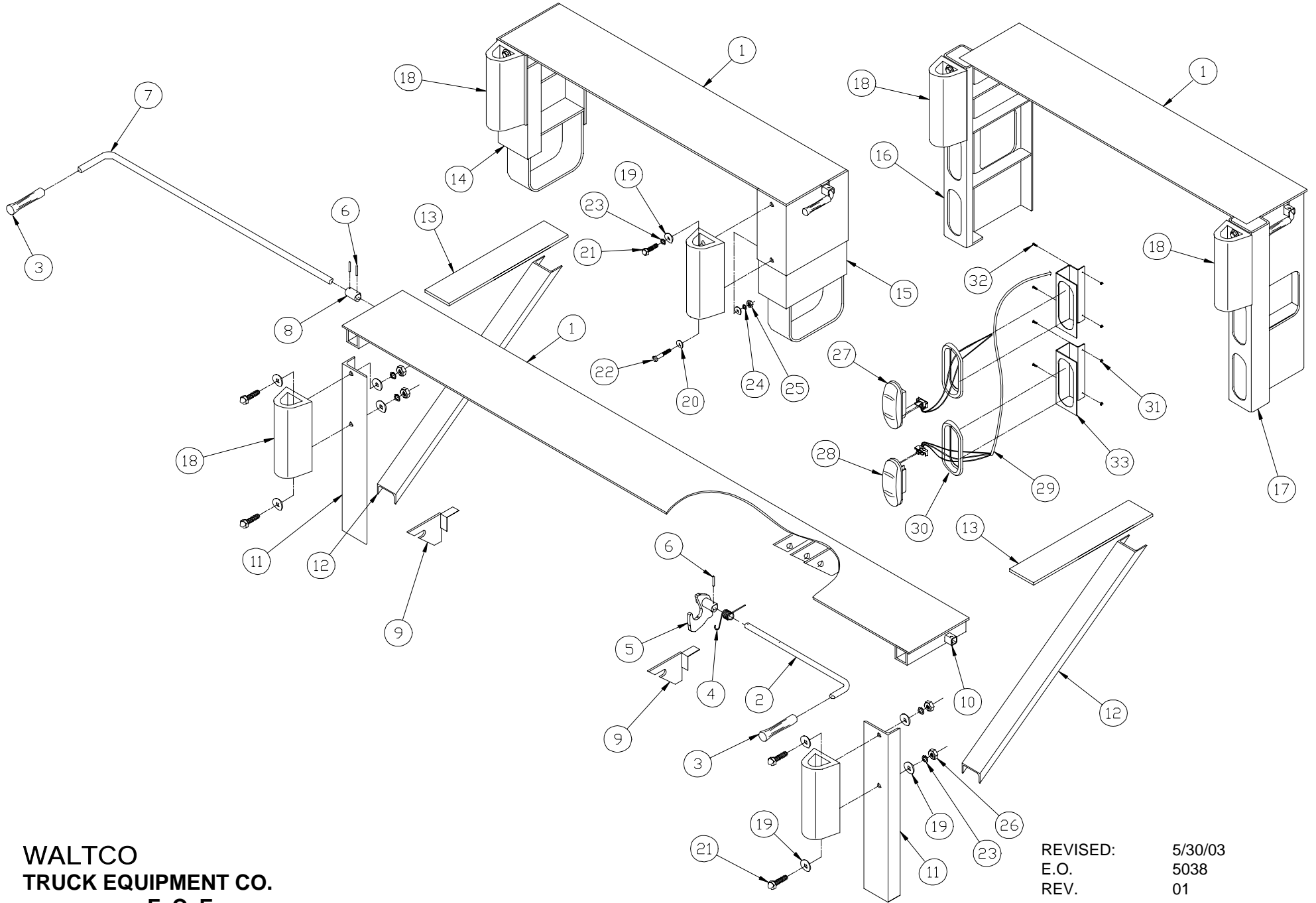
PM-508

ITEM	PART NUMBER	QTY	DESCRIPTION
1	26360001	1	Bed Extension – 96” E-30 only
	26360002		Bed Extension – 102” E-30 only
	26260006		Bed Extension – 96”
	26260007		Bed Extension – 102”
2	26360101 ^L	1	Control Handle 96” Bed Extension E-30 only
	26360102		Control Handle 102” Bed Extension E-30 only
	26265100 ^I		Control Handle 96” Bed Extension
	26265101		Control Handle 102” Bed Extension
3	75089330 ^{AIKL}	1	Handle Grip (2 used with dual controls)
4	20261600 ^{IL}	1	Torsion Spring
5	26262002 ^{IL}	1	Hook Assembly
6	75089547 ^{AIKL}	1	Roll Pin (3 used with dual control)
7	26265102 ^A	1	Dual Control Handle (Dual Control only)
	26365102 ^K		Dual Control Handle (Dual Control only) E-30 only
8	26263202 ^{AK}	1	Connector Sleeve (Dual Control only)
9	26266001	2	Bed Extension Gauge/Gusset
10	26265200	1	Control Handle Collar
11	26297102 ^B	2	Dock Bumper Angle
12	26298003 ^B	2	Support Channel
13	26298004 ^B	2	Support Bar
14	26298050 ^C	1	Super Duty Dock Bumper (Driver's Side)
15	26298010 ^C	1	Super Duty Dock Bumper (Curb Side)
16	22597051 ^{DE}	1	Super Duty Dock Bumper w/lights (D.S.)
17	22597001 ^{DE}	1	Super Duty Dock Bumper w/lights (C.S.)
18	26297600 ^{FGH}	2	Rubber Bumper
19	75088057 ^{FGH}	8*	Washer, 5/8”
20	75088067 ^G	4	Washer, 1/2”
21	75086155 ^{FGH}	4 ^Δ	Hex Bolt, 5/8”-11 x 2” lg.
22	75086110 ^G	2	Hex Bolt, 1/2”-13 x 2-1/2” lg.
23	75088085 ^{FGH}	4 ^Δ	Lock Washer, 5/8”
24	75088083 ^G	2	Lock Washer, 1/2”
25	75085008 ^G	2	Hex Nut, 1/2”-13
26	75085012 ^F	4	Hex Nut, 5/8”-11
27	75089374 ^D	2	Taillight Backup (Tractors only) (Clear)
	75089373 ^{DE}		Taillight S, T & T (Trailers only) (Red)
28	75089373 ^{DE}	2	Taillight S, T & T (Red)
29	22575200 ^{DE}	2	Harness, 2 Lamp
30	75089376 ^{DE}	4	Light Grommet
31	75085000 ^{DE}	8	Hex Nut, #10-32

ITEM	PART NUMBER	QTY	DESCRIPTION
32	75086732 ^{DE}	8	Machine Screw, #10-32 x 1” lg.
33	22597102 ^{DE}	4	Taillight Bracket

- ^A Included in Dual Control Kit (80000420)
- ^B Heavy Duty dock Bumper Kit 26296003
- ^C Super Duty dock Bumper Kit 262960004 (without lights)
- ^D Super Duty dock Bumper Kit With (4) Lights 22596001 (Tractor)
- ^E Super Duty dock Bumper Kit With (4) Lights 22596003 (Trailer)
- ^F Rubber Bumper Kit 26297003 (For Heavy Duty Dock Bumper Kit)
- ^G Rubber Bumper Kit 26297004 (For Super Duty Dock Bumper Kit w/o Lights)
- ^H Rubber Bumper Kit 22596011 (For Super Duty Dock Bumper Kit With Lights)
- ^I Included in bed Extension Replacement Kit 80000951 (F,C,E)
- ^K Included in Dual Control Kit (80000431)
- ^L Included in E-30 Bed Extension Replacement Kit (80000969).
- * Quantity of 4 for 22596011, Quantity of 2 for 26297004
- ^Δ Quantity of 2 for 26297004

BED EXTENSION



**WALTCO
TRUCK EQUIPMENT CO.
F, C, E**

REVISED: 5/30/03
E.O. 5038
REV. 01

PM-508A

ITEM	PART NUMBER	QTY	DESCRIPTION
1	26360001	1	Bed Extension – 96"
	26360002		Bed Extension – 102"
2	26360101 ^L	1	Control Handle 96" Bed Extension
	26360102		Control Handle 102" Bed Extension
3	75089330 ^{LK}	1	Handle Grip (2 used with dual controls)
4	20261600 ^L	1	Torsion Spring
5	26262002 ^L	1	Hook Assembly
6	75089547 ^{LK}	1	Roll Pin (3 used with dual control)
7	26365102 ^K		Dual Control Handle (Dual Control only)
8	26263202 ^K	1	Connector Sleeve (Dual Control only)
9	26266001	2	Bed Extension Gauge/Gusset
10	26265200	1	Control Handle Collar
11	26297102 ^B	2	Dock Bumper Angle
12	26298003 ^B	2	Support Channel
13	26298004 ^B	2	Support Bar
14	26298050 ^C	1	Super Duty Dock Bumper (Driver's Side)
15	26298010 ^C	1	Super Duty Dock Bumper (Curb Side)
16	22597051 ^{DE}	1	Super Duty Dock Bumper w/lights (D.S.)
17	22597001 ^{DE}	1	Super Duty Dock Bumper w/lights (C.S.)
18	26297600 ^{FGH}	2	Rubber Bumper
19	75088057 ^{FGH}	8*	Washer, 5/8"
20	75088067 ^G	4	Washer, 1/2"
21	75086155 ^{FGH}	4 ^Δ	Hex Bolt, 5/8"-11 x 2" lg.
22	75086110 ^G	2	Hex Bolt, 1/2"-13 x 2-1/2" lg.
23	75088085 ^{FGH}	4 ^Δ	Lock Washer, 5/8"
24	75088083 ^G	2	Lock Washer, 1/2"
25	75085008 ^G	2	Hex Nut, 1/2"-13
26	75085012 ^F	4	Hex Nut, 5/8"-11
27	75089374 ^D	2	Taillight Backup (Tractors only) (Clear)
28	75089373 ^{DE}	2	Taillight S, T & T (Trailers only) (Red)
	75089373 ^{DE}		Taillight S, T & T (Red)
29	22575200 ^{DE}	2	Harness, 2 Lamp
30	75089376 ^{DE}	4	Light Grommet
31	75085000 ^{DE}	8	Hex Nut, #10-32
32	75086732 ^{DE}	8	Machine Screw, #10-32 x 1" lg.
33	22597102 ^{DE}	4	Taillight Bracket

^B Heavy Duty dock Bumper Kit 26296003

^C Super Duty dock Bumper Kit 262960004 (without lights)

^D Super Duty dock Bumper Kit With (4) Lights 22596001 (Tractor)

^E Super Duty dock Bumper Kit With (4) Lights 22596003 (Trailer)

^F Rubber Bumper Kit 26297003 (For Heavy Duty Dock Bumper Kit)

^G Rubber Bumper Kit 26297004 (For Super Duty Dock Bumper Kit w/o Lights)

^H Rubber Bumper Kit 22596011 (For Super Duty Dock Bumper Kit With Lights)

^K Included in Dual Control Kit (80000431)

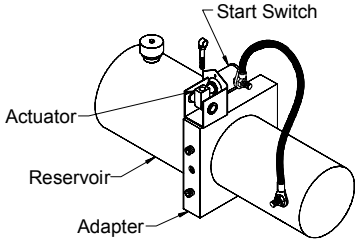
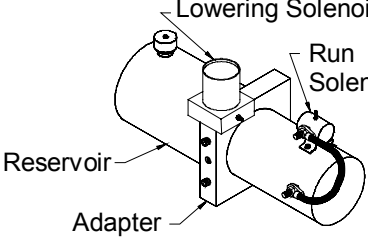
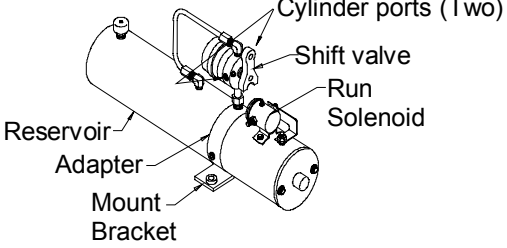
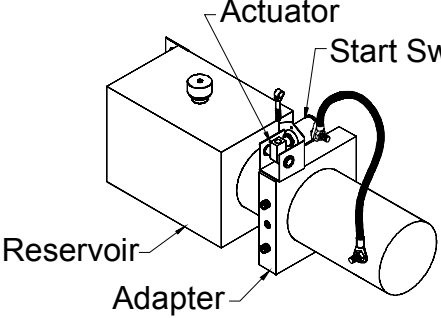
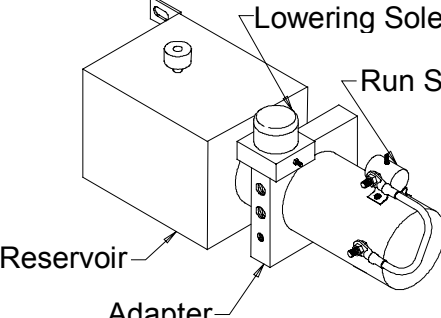
^L Included in Bed Extension Replacement Kit (80000969).

* Quantity of 4 for 22596011, Quantity of 2 for 26297004

^Δ Quantity of 2 for 26297004

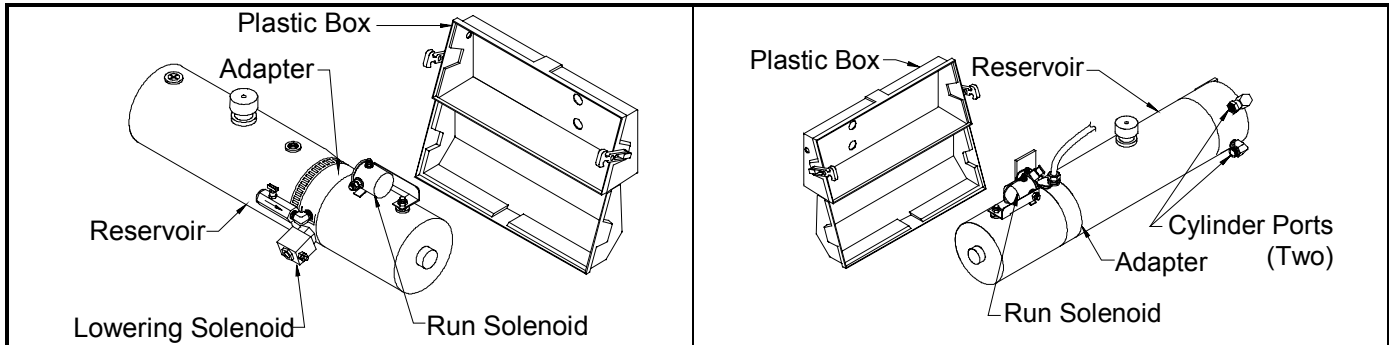
F-SERIES HYDRAULICS

(Prior to 2-94)

					
F-20, 30 Manual Control	F-20, 30 Electric Control	F-20, 30 Manual Power Down			
					
F-40 Manual Control		F-40 Electric Control			
<p>Common Features</p> <ul style="list-style-type: none"> • Fenner power units (except Power Down – Monarch) • Manual or electric controls • "F" Series cylinders • Pressure set at 2700 psi • Pump mounted to brackets in middle of mount tube 					
	F20, F30			F40	
	Manual Control	Electric Control	Manual Power Down	Manual Control	Electric Control
Reservoir	Round	Round	Round	Square	Square
Control	Start switch with actuator	Release and control solenoid	Shift valve with control solenoid	Start switch with actuator	Release and control solenoid
Adapter	Square	Square	Round	Square	Square
Motor	Spline drive	Spline drive	Tang drive	Spline drive	Spline drive
Hydraulic Layout	PM-57	80100125	PM-271	PM-17	80100494
Pump	PM-110B	PM-111B	PM-247A	PM-112B	PM-108B
Cylinder	PM-211	PM-211	PM-585	PM-211	PM-211

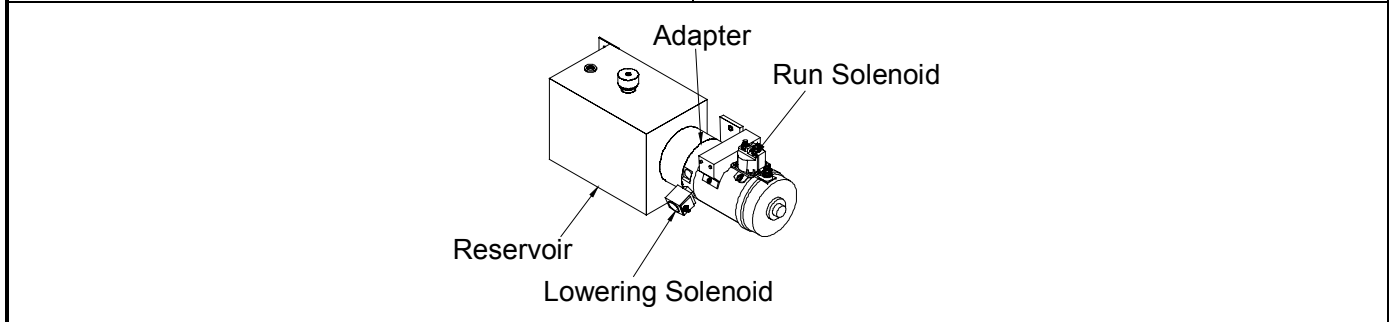
F-SERIES ELECTROPAK®

(Manufactured from 2-94 thru 3-96)



F-20, 30 Electric Control

F-20, 30 Electric Control Power Down



F-40 Electric Control

Common Features

- Monarch power units with ElectroPak®
- Electric controls
- "F" Series cylinder
- Pressure set at 2700 psi
- Pump units shipped with weather box
- Pump mounted remotely to vehicle chassis

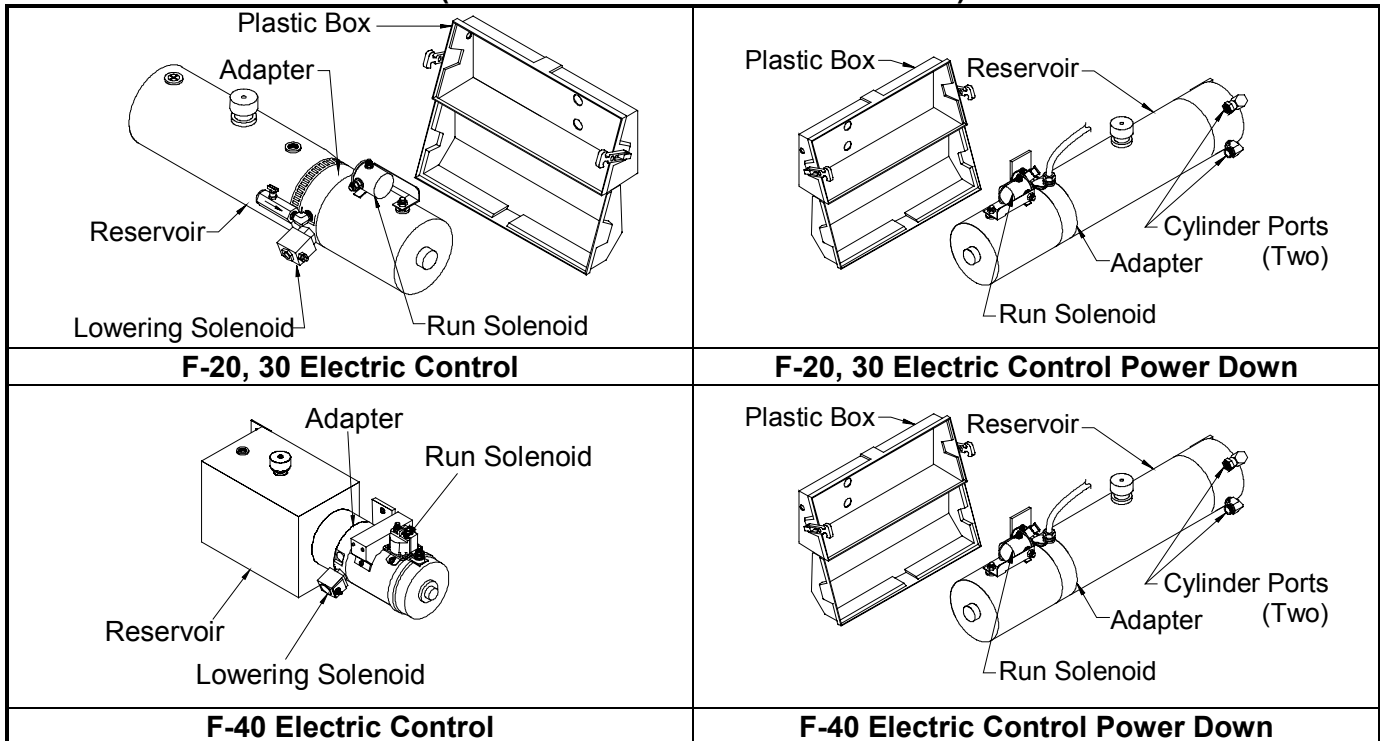
	F-20, F-30		F-40
	Electric Control	Electric Control Power Down	Electric Control *
Reservoir	Round	Round	Square
Pump Box	Plastic	Plastic	Steel
Adapter	Round	Round	Round
Hydraulic Layout	PM-337	PM-341	PM-378
Electrical Layout & Schematic	PM-343	PM-344	PM-343
Pump	PM-352	PM-354	PM-462
Cylinder	PM-211	PM-585	PM-211

* Some F40's were shipped with Fenner power units in 1994.

[Click here for list of liftgate serial numbers, organized by approximate ship dates.](#)

F-SERIES ELECTROPAK® and THERMALPAK®

(Manufactured from 3-96 thru 2-00)



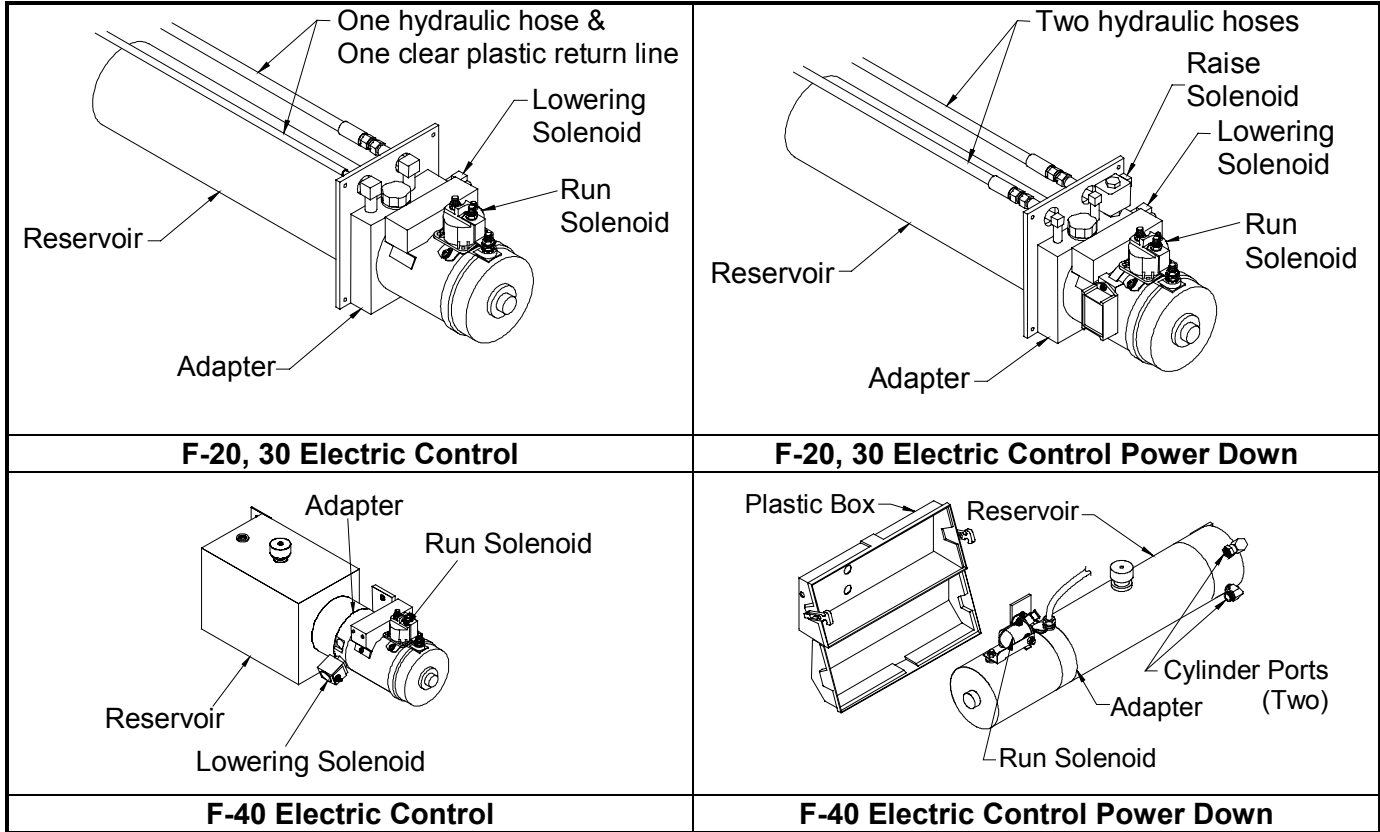
Common Features

- Monarch power units with ElectroPak® or ThermalPak® decal
- Electric controls
- "F" Series reduced maintenance cylinder (F-20,30 only)
- Pressure set at 2700 psi
- Pump mounted remotely to vehicle chassis

	F-20, F-30				F-40			
	Electric Control		Electric Control Power Down		Electric Control		Electric Control Power Down	
	Electro-Pak®	Thermal-Pak®	Electro-Pak®	Thermal-Pak®	Electro-Pak®	Thermal-Pak®	Electro-Pak®	Thermal-Pak®
Reservoir	Round	Round	Round	Round	Square	Square	Round	Round
Pump Box	Plastic	Plastic	Plastic	Plastic	Steel	Steel	Plastic	Plastic
Adapter	Round	Round	Round	Round	Round	Round	Round	Round
Hydraulic Layout	PM-375	PM-379	PM-377	PM-494	PM-378	PM-414	PM-415	PM-415
Electrical Layout & Schematic	PM-343	PM-343	PM-489	PM-489	PM-343	PM-343	PM-489	PM-489
Pump	PM-352	PM-510	PM-354	PM-511	PM-462	PM-462	PM-354	PM-511
Cylinder	PM-263	PM-263	PM-264	PM-264	PM-211	PM-211	PM-585	PM-585

F-SERIES ELECTROPAK® and THERMALPAK®

(Manufactured from 2-00 thru 3-03)



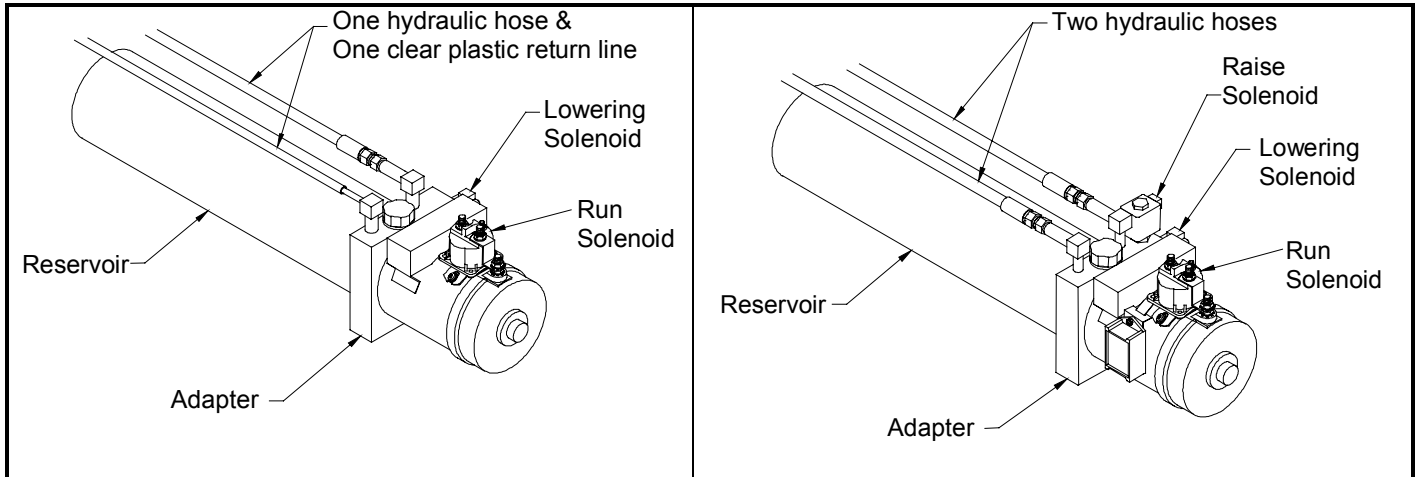
Common Features

- Monarch power units with ElectroPak® or ThermalPak® decal
- Electric controls
- "F" Series reduced maintenance cylinder
- Pressure set at 2700 psi
- Pump units shipped with weather box
- Pump mounted to curb side of liftgate mount tube

	F-20, F-30				F-40			
	Electric Control		Electric Control Power Down		Electric Control		Electric Control Power Down	
	Electro-Pak®	Thermal-Pak®	Electro-Pak®	Thermal-Pak®	Electro-Pak®	Thermal-Pak®	Electro-Pak®	Thermal-Pak®
Reservoir	Round	Round	Round	Round	Square	Square	Round	Round
Pump Box	Plastic	Plastic	Plastic	Plastic	Steel	Steel	Plastic	Plastic
Adapter	Round	Round	Round	Round	Round	Round	Round	Round
Hydraulic Layout	PM-519	PM-519	PM-520	PM-520	PM-414	PM-414	PM-415	PM-415
Electrical Layout & Schematic	PM-617	PM-617	PM-618	PM-618	PM-617	PM-617	PM-618	PM-618
Pump	PM-555	PM-558	PM-556	PM-559	PM-462	PM-462	PM-354	PM-511
Cylinder	PM-263	PM-263	PM-264	PM-264	PM-211	PM-211	PM-585	PM-585

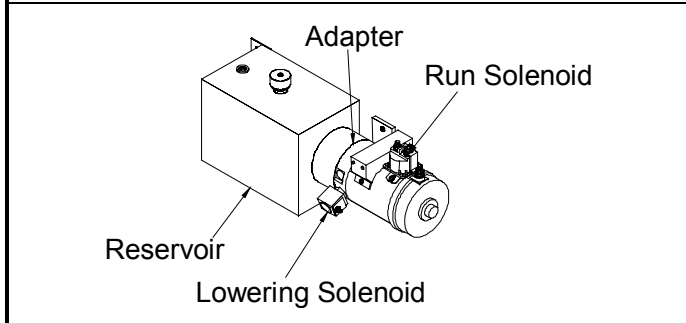
F-SERIES ELECTROPAK® and THERMALPAK®

(Manufactured from 3-03 thru 3-04)

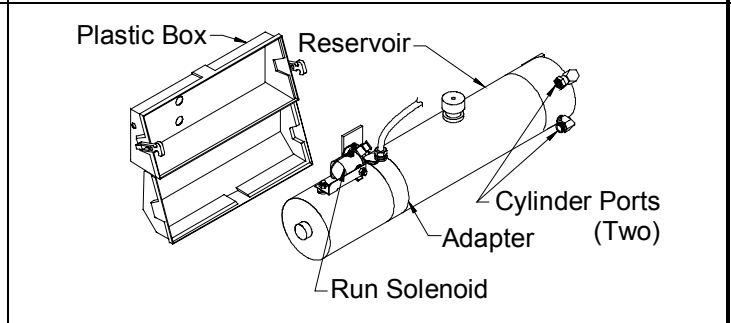


F-20, 30 Electric Control

F-20, 30 Electric Control Power Down



F-40 Electric Control



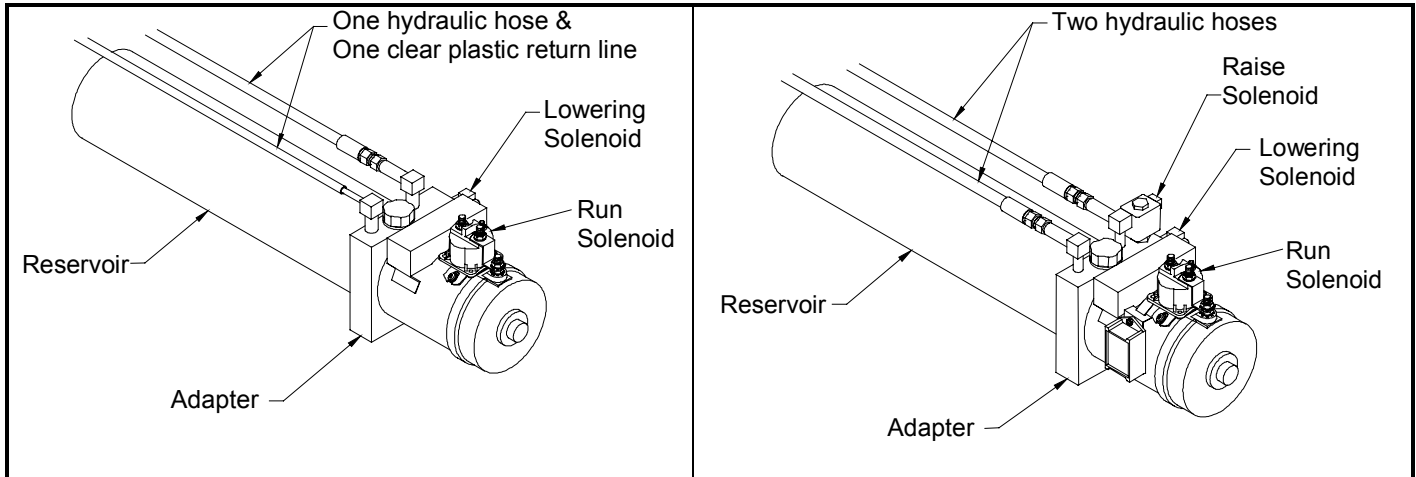
F-40 Electric Control Power Down

Common Features

- Monarch power units with ElectroPak® or ThermalPak® decal
- Electric controls
- "F" Series reduced maintenance cylinder
- Pressure set at 2700 psi
- Pump units shipped with weather box
- Pump mounted to curb side of liftgate mount tube

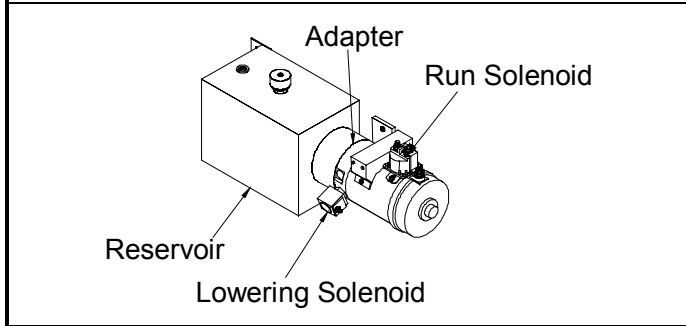
	F-20, F-30				F-40			
	Electric Control		Electric Control Power Down		Electric Control		Electric Control Power Down	
	Electro-Pak®	Thermal-Pak®	Electro-Pak®	Thermal-Pak®	Electro-Pak®	Thermal-Pak®	Electro-Pak®	Thermal-Pak®
Reservoir	Round	Round	Round	Round	Square	Square	Round	Round
Pump Box	Plastic	Plastic	Plastic	Plastic	Steel	Steel	Plastic	Plastic
Adapter	Round	Round	Round	Round	Round	Round	Round	Round
Hydraulic Layout	PM-519A	PM-519A	PM-520A	PM-520A	PM-414	PM-414	PM-415	PM-415
Electrical Layout & Schematic	PM-617	PM-617	PM-618	PM-618	PM-343A	PM-343A	PM-489	PM-489
Pump	PM-555	PM-558	PM-556	PM-559	PM-462	PM-462	PM-354	PM-511
Cylinder	PM-263	PM-263	PM-264	PM-264	PM-211	PM-211	PM-585	PM-585

F-SERIES ELECTROPAK® and THERMALPAK® (Manufactured from 3-04)

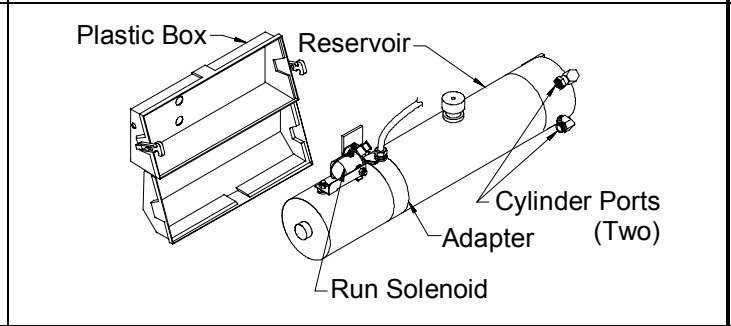


F-20, 30 Electric Control

F-20, 30 Electric Control Power Down



F-40 Electric Control



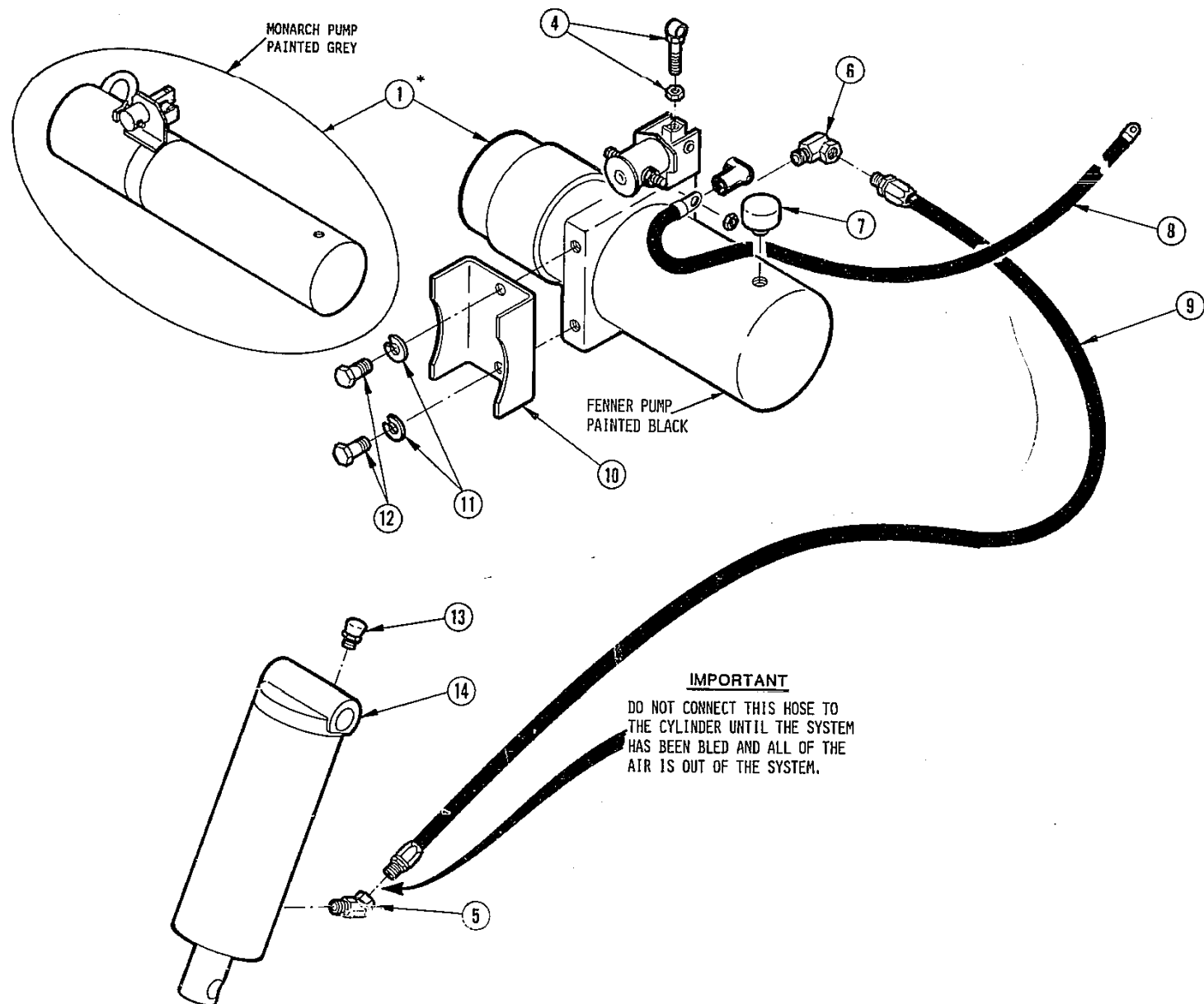
F-40 Electric Control Power Down

Common Features

- Monarch power units with ElectroPak® or ThermalPak® decal
- Electric controls
- "F" Series reduced maintenance cylinder
- Pressure set at 2700 psi
- Pump units shipped with weather box
- Pump mounted to curb side of liftgate mount tube

	F-20, F-30				F-40			
	Electric Control		Electric Control Power Down		Electric Control		Electric Control Power Down	
	Electro-Pak®	Thermal-Pak®	Electro-Pak®	Thermal-Pak®	Electro-Pak®	Thermal-Pak®	Electro-Pak®	Thermal-Pak®
Reservoir	Round	Round	Round	Round	Square	Square	Round	Round
Pump Box	Plastic	Plastic	Plastic	Plastic	Steel	Steel	Plastic	Plastic
Adapter	Round	Round	Round	Round	Round	Round	Round	Round
Hydraulic Layout	PM-619	PM-619	PM-620	PM-620	PM-414	PM-414	PM-415	PM-415
Electrical Layout & Schematic	PM-617	PM-617	PM-618	PM-618	PM-343A	PM-343A	PM-489	PM-489
Pump	PM-555	PM-558	PM-556	PM-559	PM-462	PM-462	PM-354	PM-511
Cylinder	PM-263	PM-263	PM-264	PM-264	PM-211	PM-211	PM-585	PM-585

F-20, 30 ELECTRO HYDRAULIC LAYOUT



WALTCO
TRUCK EQUIPMENT CO.
F-SERIES

REVISED: 6-89

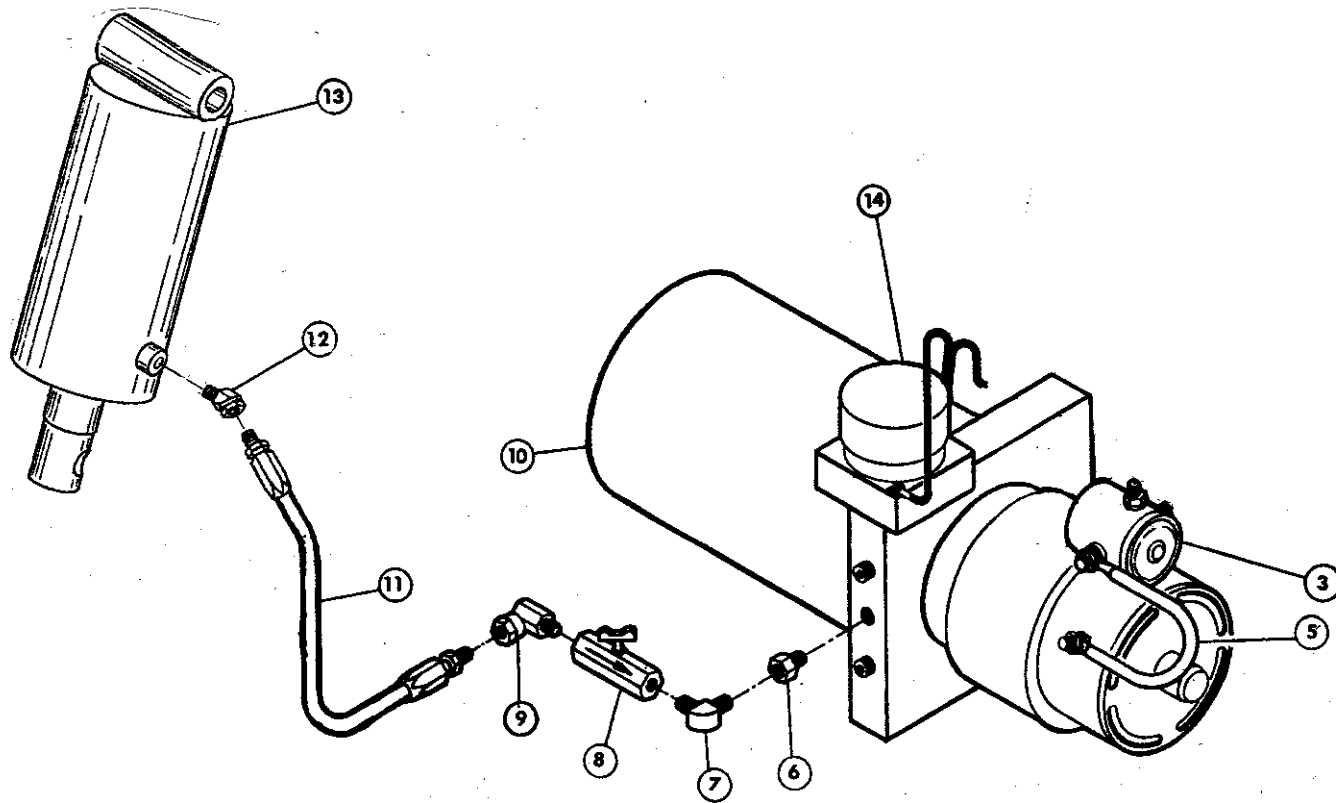
PM-57

ITEM	PART NUMBER	QTY	DESCRIPTION
1	22195000 *♦	1	Hydraulic Pump Unit (Fenner Stone)
	22195050 *♦	1	Hydraulic Pump Unit (Monarch)
2	75089327	1	Rubber Boot
3	75085005	1	3/8"-16 Hex Nut
4	20294002	1	Valve Handle
5	22195200	1	Weather Cover
6	75083036	1	3/8" x 90° Elbow
7	70091270	1	Pump Breather Cap
8	10195625	1	4 GA. x 25 Foot Battery Cable
9	75083055	1	3/8" I.D. x 22" Hose Assembly
10	20220900	1	Pump Mounting Bracket
11	75088081	2	3/8" Lock Washer
12	75086055	2	3/8"-16 x 3/4" Hex Head Screw
13	75089310	1	Cylinder Breather Cap
14	20280050	1	Hydraulic Cylinder
15	75083017	1	3/8" x 45° Elbow

NOTES:

- * Refer to Model & Serial Number on Pump Reservoir when ordering replacement parts or a new Pump.
- ♦ When ordering a complete replacement pump. Please use Part Number [70400300](#)

HYDRAULIC LAYOUT FOR ELECTRIC CONTROL



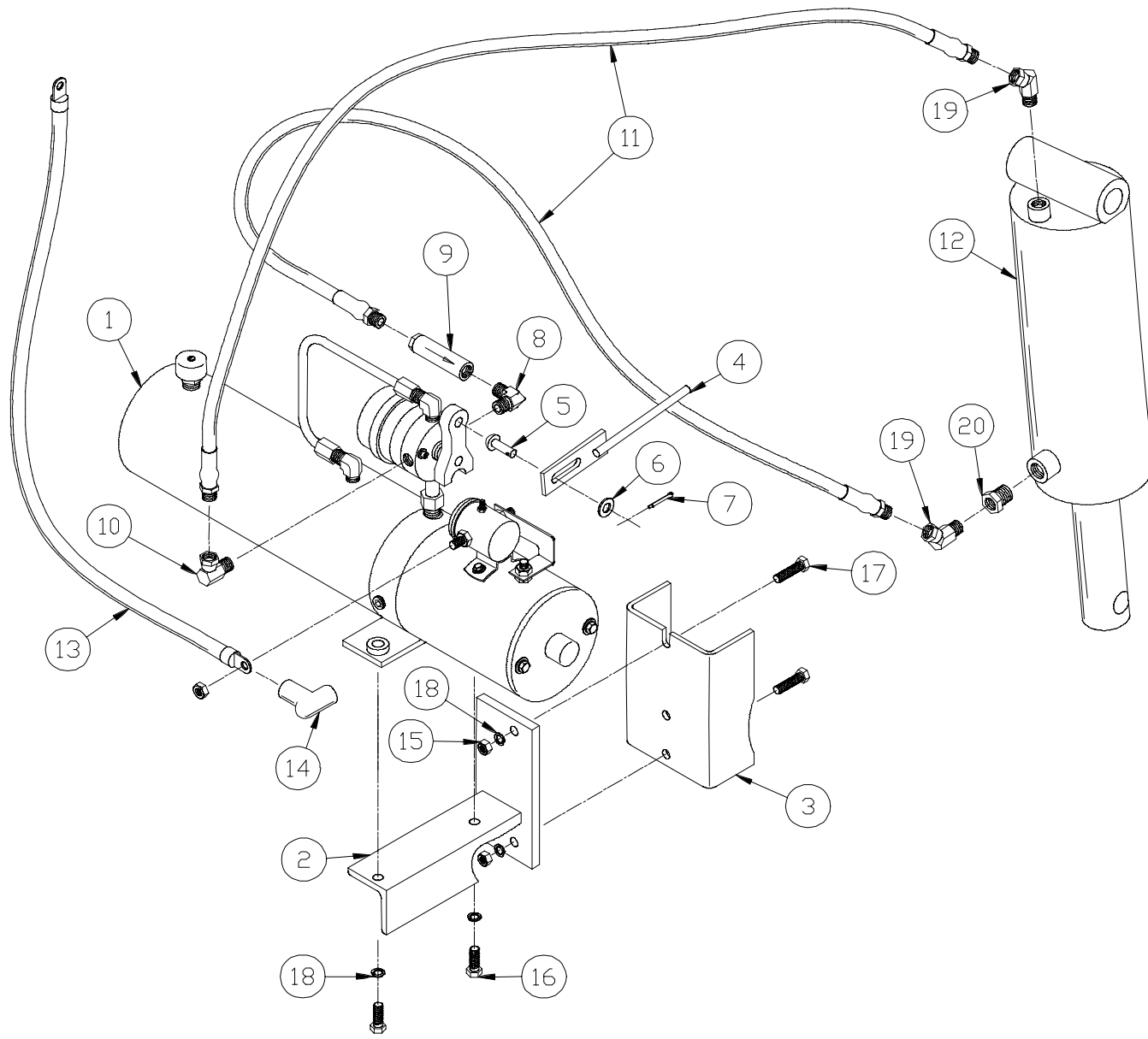
WALTCO
TRUCK EQUIPMENT CO.
F, FSL, D-Series

REVISED: 5-93

80100125

ITEM	PART NUMBER	QTY	DESCRIPTION
3	75089822	1	Solenoid
5	10195500	1	Cable Assembly
6	75082908	1	Adapter
7	75082611	1	90° Male Elbow
8	75089860	1	Pneutrol Valve
9	75083037	1	90° Swivel Elbow
10	30195000	1	Hydraulic Pump Unit
11	75083055	1	Hose Assembly
12	75083017	1	45° Swivel Elbow
13	20280050	1	Hydraulic Cylinder Assembly
14	70091631	1	Release Solenoid

F-20, F-30 POWER DOWN ELECTRO HYDRAULIC LAYOUT



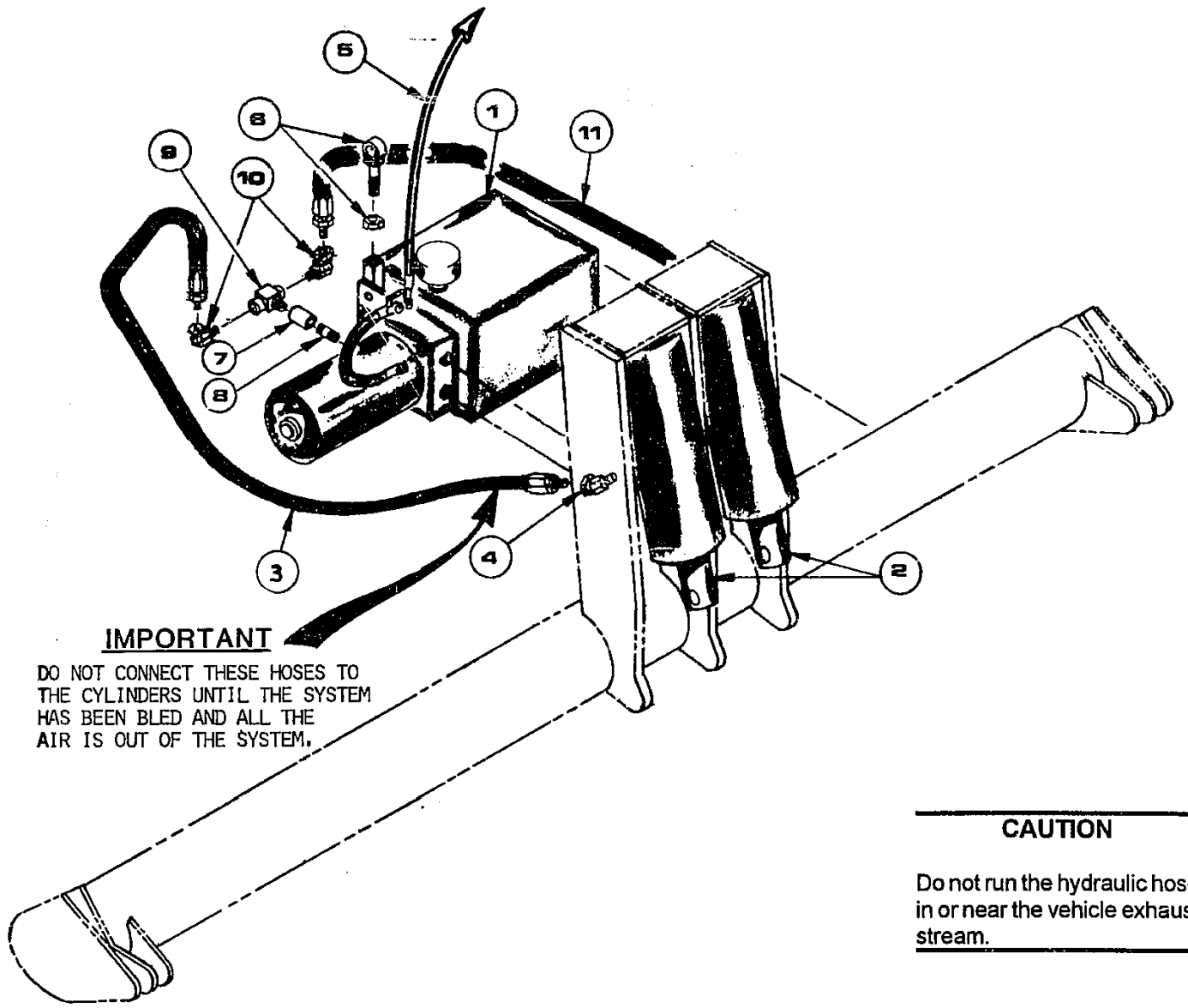
WALTCO
TRUCK EQUIPMENT CO.
F-20, F-30

REVISED: 9-92

PM-271

ITEM	PART NUMBER	QTY	DESCRIPTION
1	20295000	1	Pump Unit, Power Down
2	20221002	1	Pump Bracket Adapter
3	20220900	1	Pump Bracket
4	20291501	1	Slide Assembly
5	75089531	1	5/16" Dia. x 23/32" Clevis Pin
6	75088052	1	5/16" Flat Washer
7	75084053	1	3/32" Dia. x 1" Cotter Pin
8	75082611	1	1/4" NPT x 90° Swivel Elbow
9	70110040	1	Flow Control Valve
10	75083031	1	1/4" NPT x 90° Swivel Elbow
11	75083066	2	1/4" ID x 19" Hose Assembly
12	20280090	1	Hydraulic Cylinder
13	10195625	1	4 Ga. x 25 ft. Battery Cable
14	75089327	1	Rubber Boot
15	75085005	2	3/8"-16 Hex Nut
16	75086055	2	3/8"-16 x 3/4" Hex Bolt (Grade 5)
17	75086058	2	3/8"-16 x 1-1/2" Hex Bolt (Grade 5)
18	75088081	4	3/8" Lock Washer
19	75083016	2	1/4" NPT x 45° Swivel Elbow
20	75082908	1	3/8" NPT x 1/4" NPT Bushing

F-40 ELECTRO HYDRAULIC LAYOUT



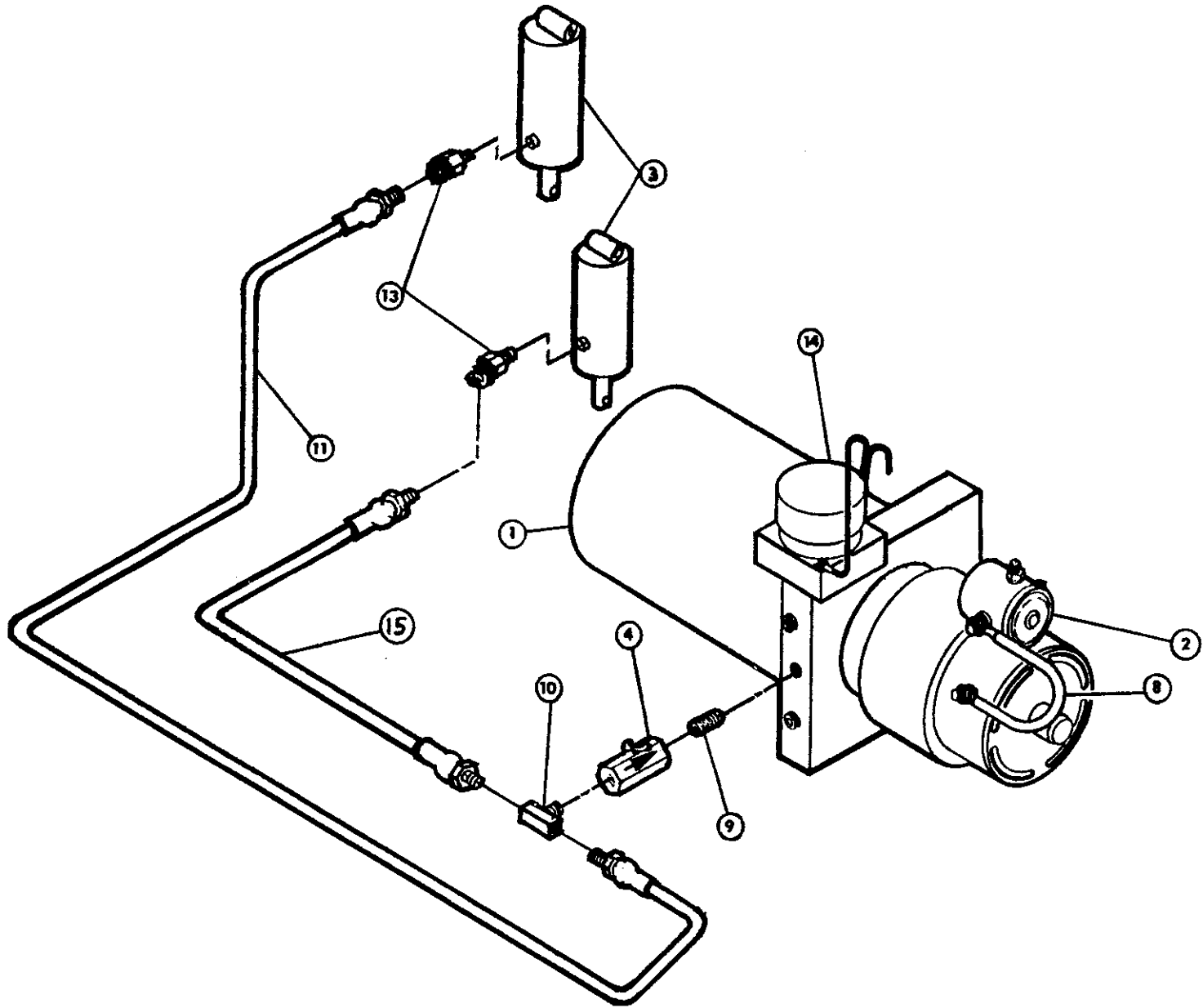
WALTCO
TRUCK EQUIPMENT CO.
F-40

REVISED: 2-91

PM-17

ITEM	PART NUMBER	QTY	DESCRIPTION
1	20495000	1	Pump Unit
2	20280050	2	Hydraulic Cylinder
3	75083055	1	3/8" ID x 22" Hose Assembly
4	75083017	2	3/8" x 45° Elbow
5	10195625	1	4 Ga. x 25 ft. Battery Cable
6	20294002	1	Valve Lever Assembly
7	75082612	1	3/8" Pipe Coupling
8	75082613	1	3/8" x 1" Close Pipe Nipple
9	75082859	1	3/8" Tee, Male on Side
10	75083036	2	3/8" x 90° Elbow
11	75083067	1	3/8" ID x 30" Hose Assembly

HYDRAULIC LAYOUT FOR ELECTRIC CONTROL



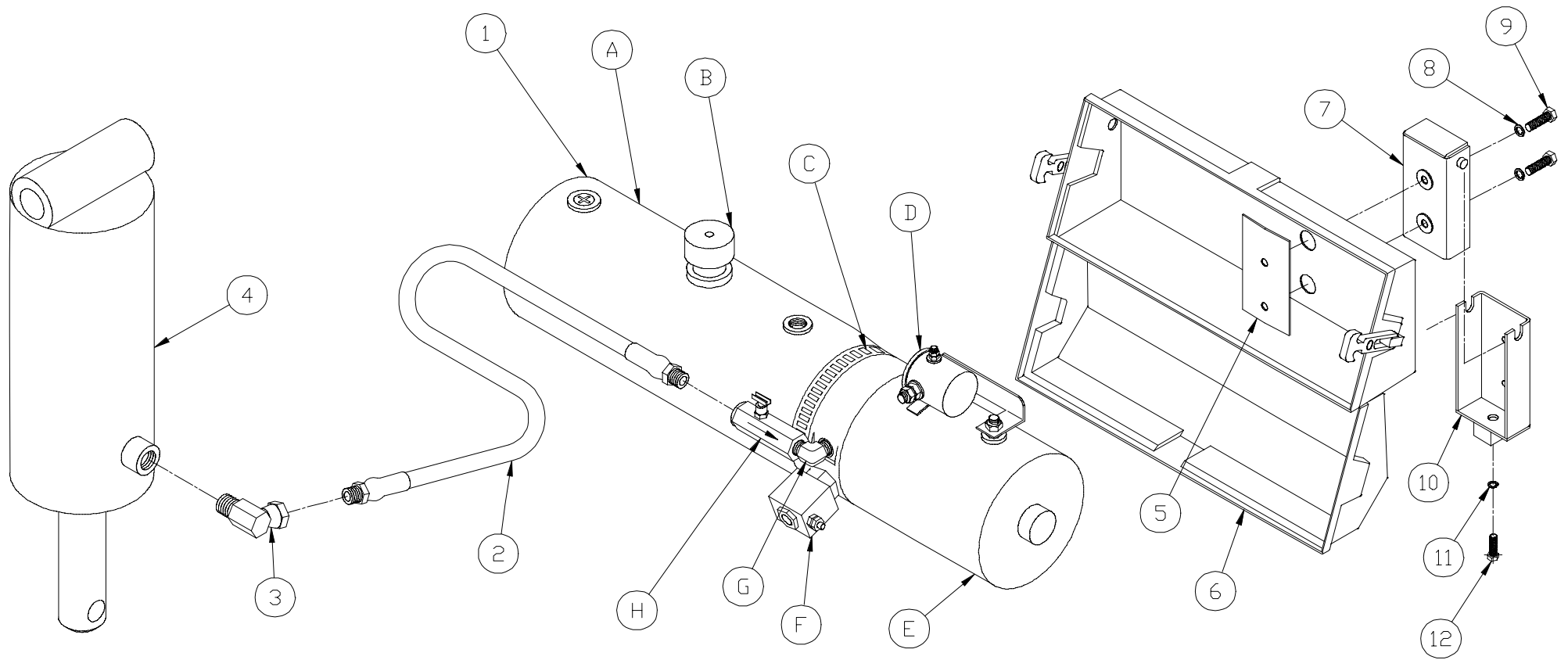
WALTCO
TRUCK EQUIPMENT CO.
F-40

REVISED: 5-93

80100494

ITEM	PART NUMBER	QTY	DESCRIPTION
1	35495001	1	Hydraulic Pump Unit (Set @ 2700 PSI)
2	75089822	1	Solenoid
3	20280050	1	Hydraulic Cylinder Assembly
4	70189861	1	Pneutrol Valve
8	10195500	1	Cable Assembly
9	75082613	1	Pipe Nipple
10	75082859	1	Tee, Male on Side
11	75083055	1	Hose Assembly
13	75083017	1	45° Swivel Elbow
14	70091631	1	Release Solenoid
15	75083067	1	Hose Assembly

F-20, 30, FSL-20, 25, 30, D, E-SERIES ELECTRIC CONTROLS ELECTROPAK



WALTCO
TRUCK EQUIPMENT CO.
F-20, F-30, FSL-20, 25, 30, D, E
Series

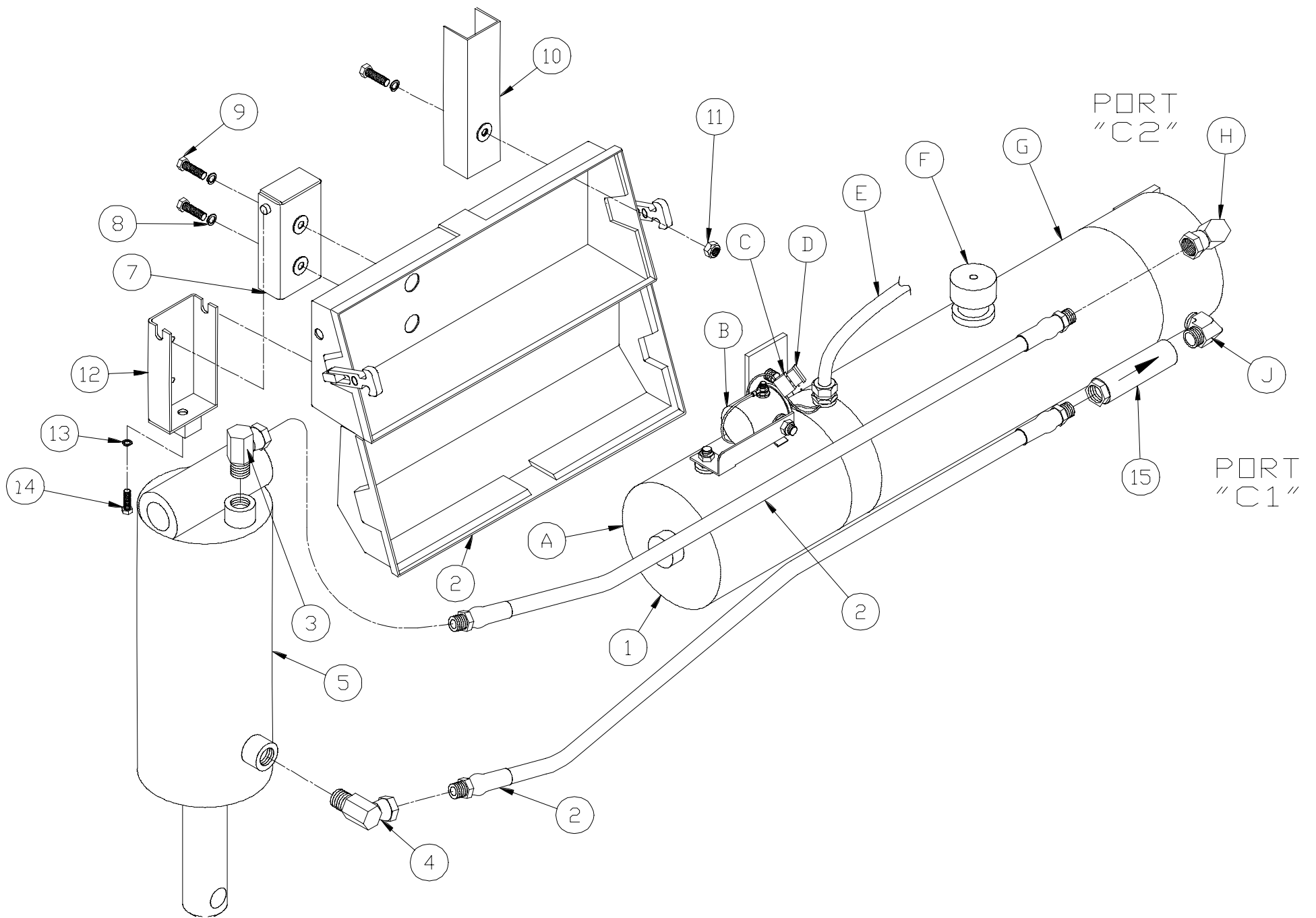
REVISED: 3-98
E.O. 3462C
REV. 02

PM-337

ITEM	PART NUMBER	QTY	DESCRIPTION
1	70400000	1	Hydraulic Pump Unit
A	70400001*	1	Hydraulic Reservoir
B	70091734*	1	Breather
C	70400002*	1	Reservoir Clamp
D	70092531*	1	Solenoid
E	70092312*	1	Motor
F	70400003*	1	Release Valve
G	75082611*	1	90° Male Elbow
H	70189860*	1	Flow Control Valve
2	75083073	1	Hose Assembly
3	75083018	1	45° Swivel Elbow
4	20280050	1	Hydraulic Cylinder
5	10021400	1	Pump Bracket Plate
6	10090500	1	Pump Cover Assembly
7	10021000	1	Pump Mounting Bracket
8	75088081	2	3/8" Lock Washer
9	75086056	2	Hex Bolt, 3/8"-16 x 1" lg., Grade 5
10	10021500	1	Pump Mounting Bracket
11	75088083	1	1/2" Lock Washer
12	75086108	1	Hex Bolt, 1/2"-13 x 1-1/2" lg., Grade 2

* These parts included in 70400000 Assembly
Parts 1,5-9 included in 10090800 Hydraulic Assembly

F-20, 30 & E SERIES ELECTRIC CONTROLS, POWER DOWN ELECTROPAK



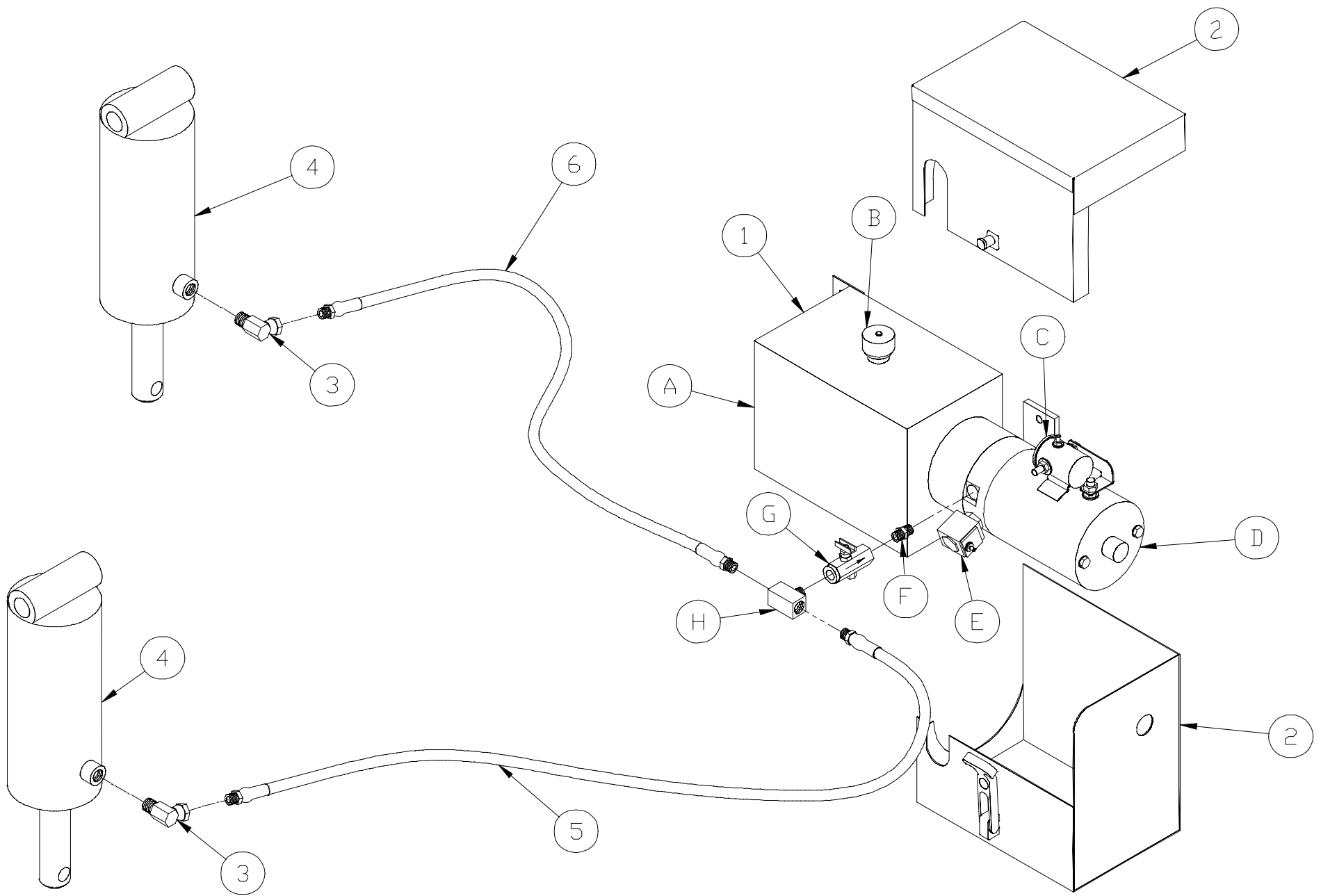
**WALTCO
TRUCK EQUIPMENT CO.
F-20, 30 & E SERIES**

REVISED: 1-28-94

PM-341

ITEM	PART NUMBER	QTY	DESCRIPTION
1	70400025	1	Hydraulic Pump Unit
*A	70091739	1	Motor
*B	70092531	1	Solenoid
*C	75089850	1	Fuse Holder
*D	75089852	1	20 AMP Fuse
*E	70400026	1	Control Cord
*F	70091734	1	Breather
*G	70400027	1	Hydraulic Reservoir
*H	75083031	1	90° Swivel Elbow
*J	75082611	1	90° Male Elbow
2	75083073	2	Hose Assembly
3	75083016	1	45° Swivel Elbow
4	75083018	1	45° Swivel Elbow
5	20280090	1	Hydraulic Cylinder
6	10090500	1	Pump Cover Assembly
7	10021000	1	Pump Mounting Bracket
8	75088081	3	3/8" Lock Washer
9	75086056	3	Hex Bolt, 3/8"-16 x 1" LG., Grade 5
10	10022000	1	Pump Mounting Bracket Channel
11	75085193	1	Flex Nut, 3/8"-16
12	10021500	1	Pump Mounting Bracket
13	75088083	1	1/2" Lock Washer
14	75086108	1	Hex Bolt, 1/2"-13 x 1-1/2" LG., Grade 2
15	70110040	1	Flow Control Valve

F-40 HYDRAULIC LAYOUT for ELECTRIC CONTROL



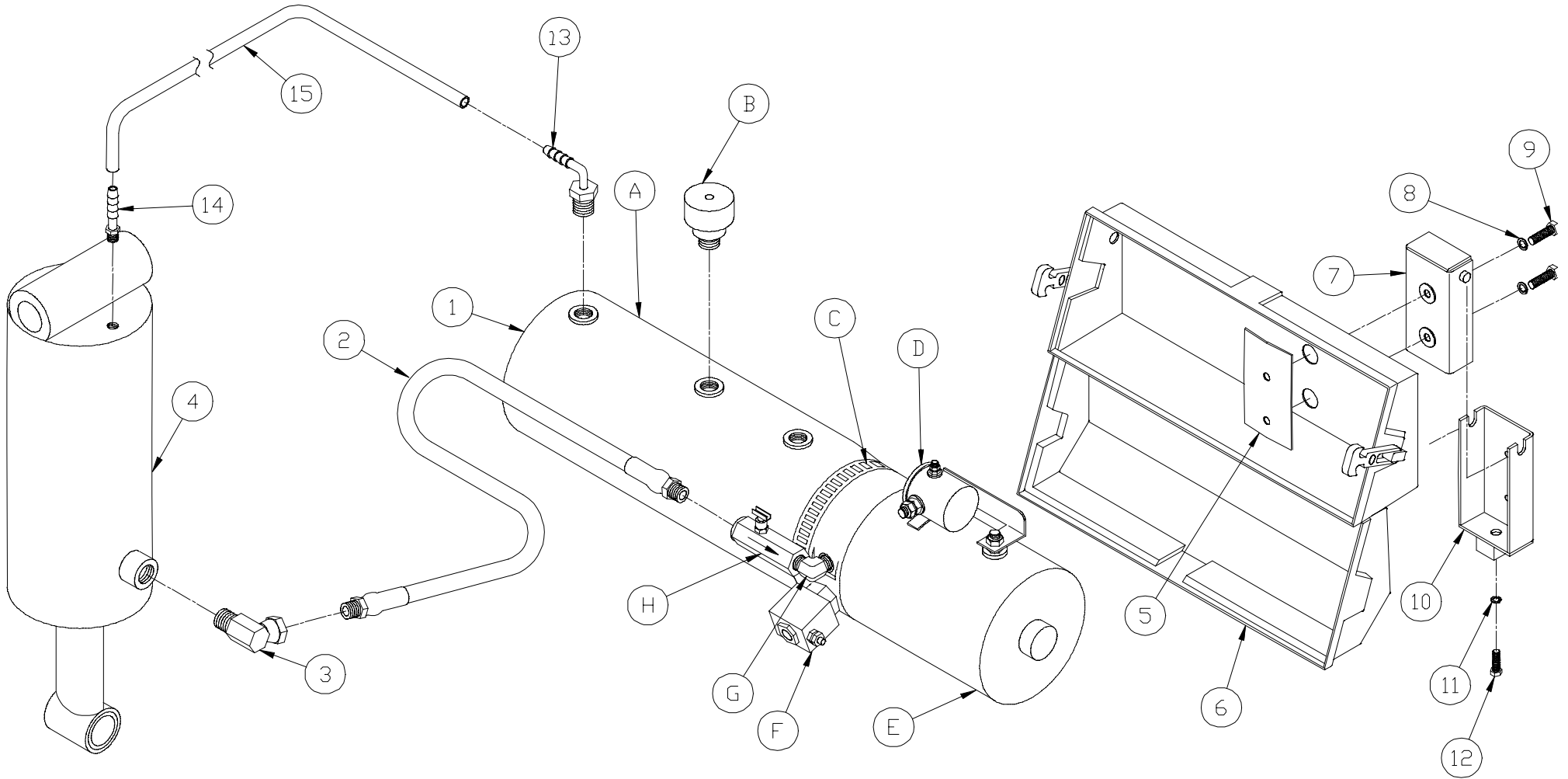
**WALTCO
TRUCK EQUIPMENT CO.
F-40**

REVISED: 3-98
E.O. 3462C
REV. 02

PM-378

ITEM	PART NUMBER	QTY	DESCRIPTION
1	70400150	1	Hydraulic Pump Unit
*A	-----	1	Hydraulic Reservoir
*B	70091734	1	Breather
*C	75089822	1	Solenoid
*D	70092359	1	Motor
*E	70400003	1	Dump Solenoid Coil
*F	75082613	1	3/8" Nipple
*G	70189861	1	Flow Control Valve
*H	75082859	1	Tee Male on Side
2	20690500	1	Hydraulic Enclosure
3	75083017	1	45° Swivel Elbow
4	20280050	2	Hydraulic Cylinder
5	75083055	1	3/8" x 22" Hose Assembly
6	75083067	1	3/8" x 30" Hose Assembly

REDUCED MAINTENANCE ELECTRIC CONTROLS, ELECTROPAK



**WALTCO
TRUCK EQUIPMENT CO.**

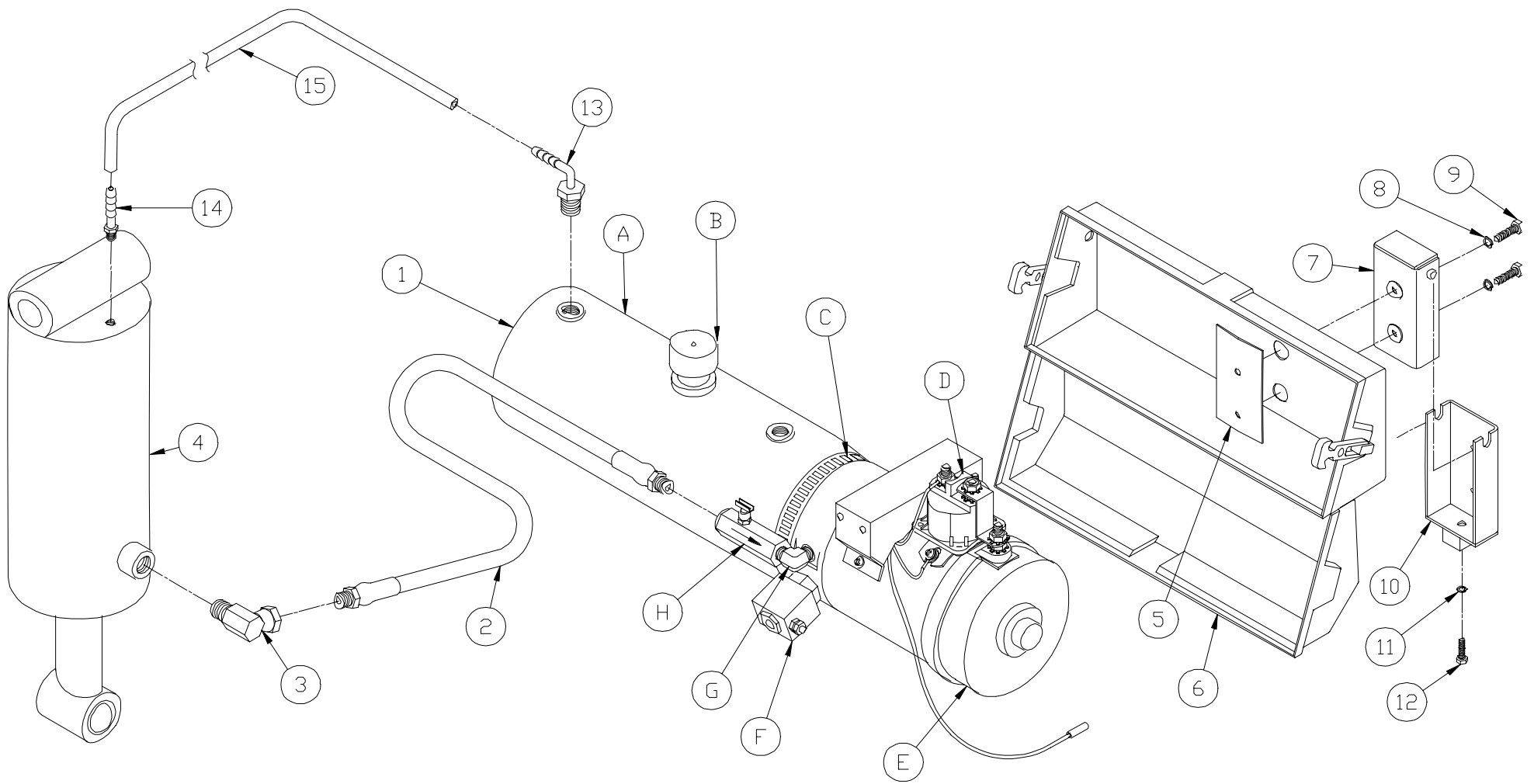
REVISED: 1-97
E.O. 3028
REV. 02

PM-375

ITEM	PART NUMBER	QTY	DESCRIPTION
1	70400000	1	Hydraulic Pump Unit
*A	70400001	1	Hydraulic Reservoir
*B	70091734	1	Breather
*C	70400002	1	Reservoir Clamp
*D	75089822	1	Solenoid
*E	70092359	1	Motor
*F	70400003	1	Release Valve
*G	75082611	1	90° Male Elbow
*H	70189860	1	Flow Control Valve
2	75083073	1	Hose Assembly
3	75083018	1	45° Swivel Elbow
4	20280010	1	Hydraulic Cylinder
5	10021400	1	Pump Bracket Plate
6	10090500	1	Pump Cover Assembly
7	10021000	1	Pump Mounting Bracket
8	75088081	2	3/8" Lock Washer
9	75086056	2	Hex Bolt 3/8"-16 x 1" LG. Grade 5
10	10021500	1	Pump Mounting Bracket
11	75088083	1	1/2" Lock Washer
12	75086108	1	Hex Bolt 1/2"-13 x 1-1/2" LG. Grade 2
13	75082742	1	Barbed Fitting 3/8" NPTF x 1/4" 90°
14	75082741	1	Barbed Fitting 1/8" NPTF x 1/4" Straight
15	26299500	1	Hose 1/4" I.D. x 60" LG.

* These parts included in 70400750 Assembly
Parts 1,5-9 Included in 10091100 Hydraulic Assembly

FSL HYDRAULIC LAYOUT



WALTCO
TRUCK EQUIPMENT CO.
FSL

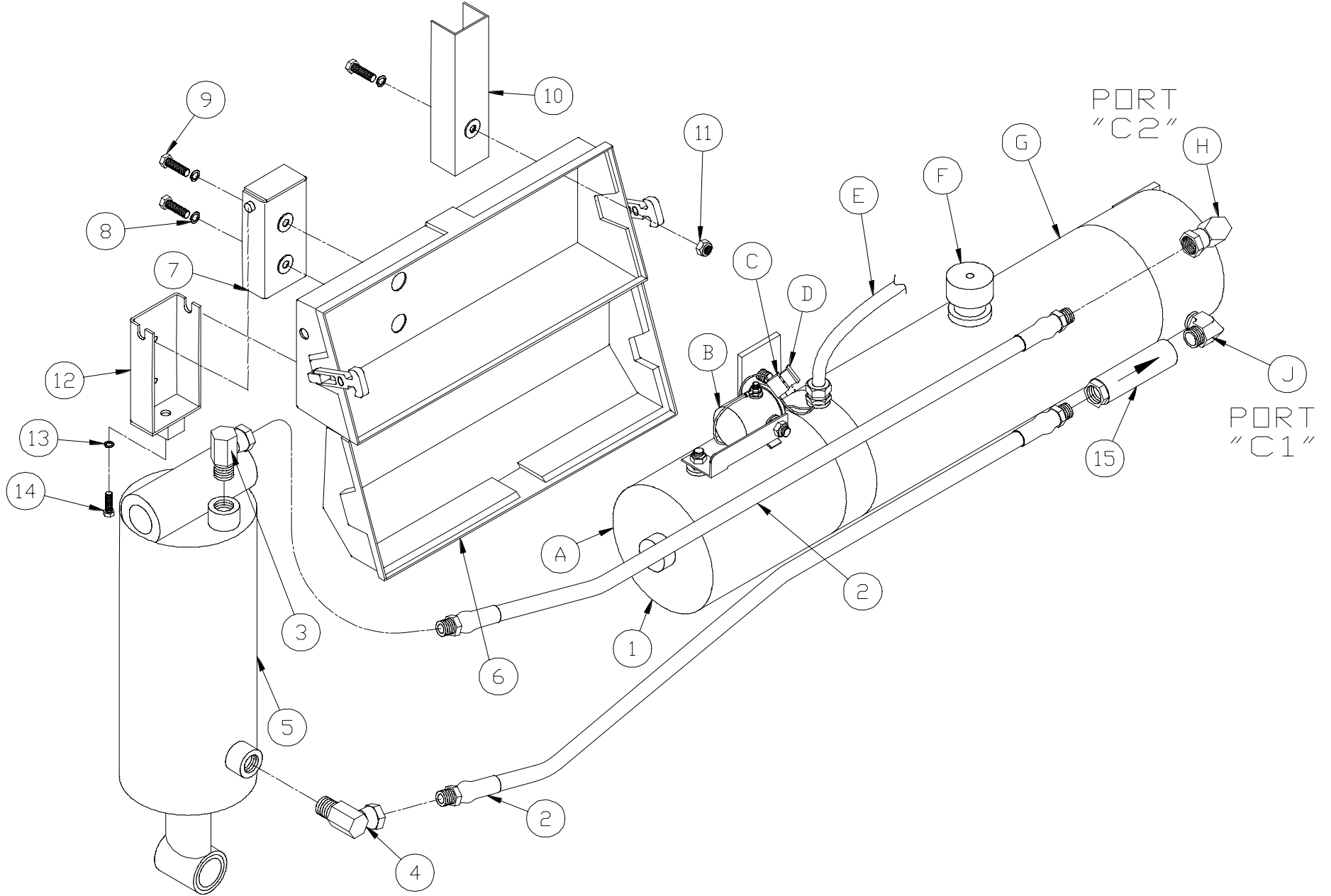
REVISED: 11/8/02
E.O. 4790
REV. 12

PM-379

ITEM	PART NUMBER	QTY	DESCRIPTION
1	70400000	1	Hydraulic Pump Unit, Electropak®
	70400700		Hydraulic Pump Unit, Thermalpak® with Voltage Guard™
*A	70400701 ^A	1	Hydraulic Reservoir
*B	70091734 ^A	1	Breather
*C	70400002 ^A	1	Reservoir Clamp
*D	70092531 ^A	1	Solenoid with Cable Strap Kit
	75089831		Solenoid
*E	70092359 ^A	1	Motor, Electropak®
	70400854		Motor, Thermalpak® with Voltage Guard™
*F	70400003 ^A	1	Release Valve
*G	75082611 ^A	1	90° Male Elbow
*H	70189860 ^A	1	Flow Control Valve
2	75083073	1	Hose Assembly
3	75083018	1	45° Swivel Elbow
4	20280050	1	Hydraulic Cylinder
5	10021400	1	Pump Bracket Plate
6	10090500	1	Pump Cover Assembly
7	10021000	1	Pump Mounting Bracket
8	75088081	2	3/8" Lock Washer
9	75086056	2	Hex Bolt, 3/8"-16 x 1" LG. Grade 5
10	10021500	1	Pump Mounting Bracket
11	75088083	1	1/2" Lock Washer
12	75086108	1	Hex Bolt, 1/2"-13 x 1-1/2" LG. Grade 2
13	75082742	1	Barbed Fitting, 3/8" NPTF x 1/4" 90 Degree
14	75082741	1	Barbed Fitting, 1/8" NPTF x 1/4" Straight
15	26299500	1	Hose 1/4" I.D. x 36" LG.

^A These parts included in 70400000 (Electropak®) or 70400700 (Thermalpak® with Voltage Guard™) Assembly.

REDUCED MAINTENANCE ELECTRIC CONTROLS, POWER DOWN, ELECTROPAK



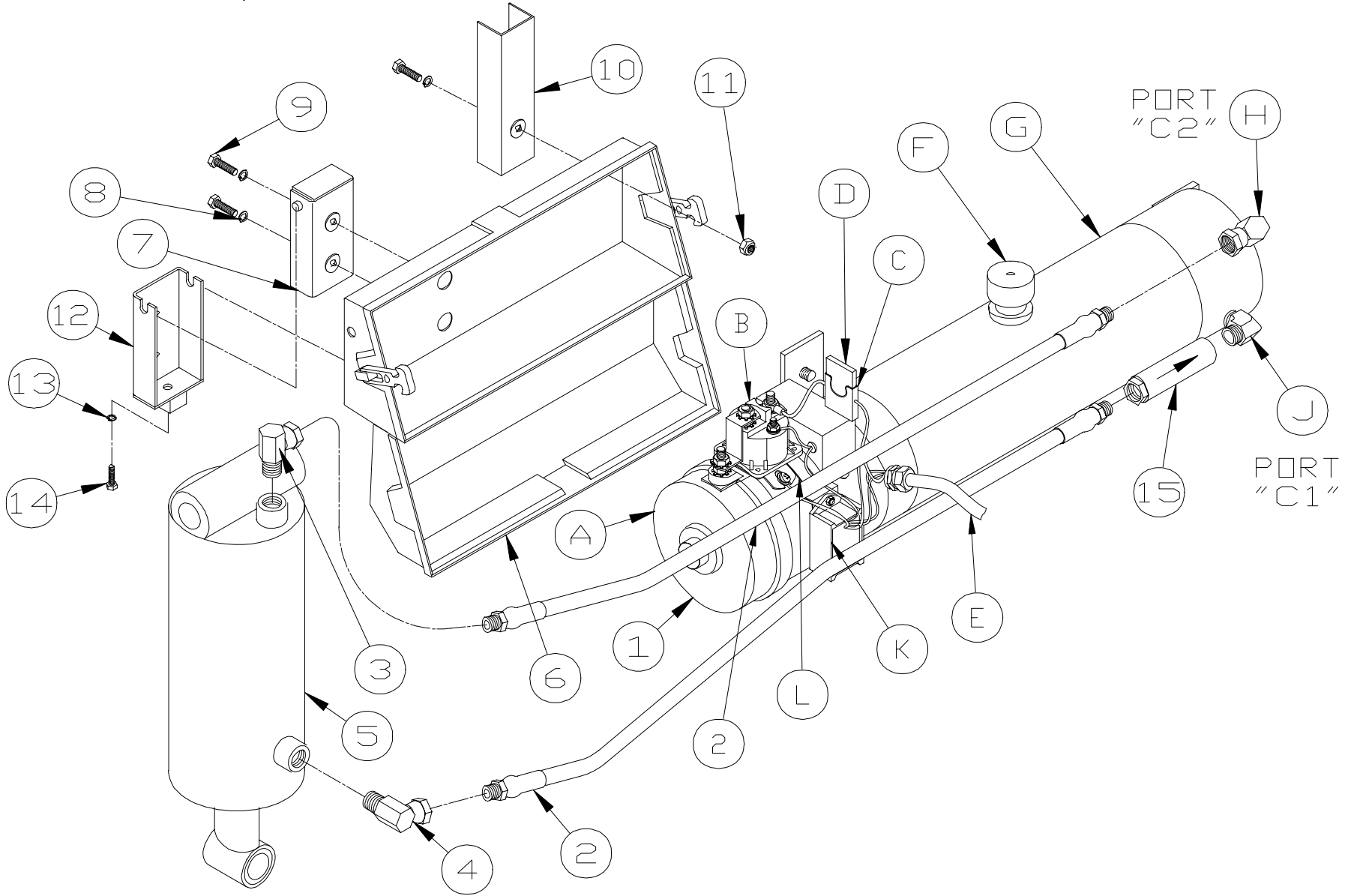
WALTCO
TRUCK EQUIPMENT CO.

REVISED: 1-97
E.O. 3028
REV. 02

PM-377

ITEM	PART NUMBER	QTY	DESCRIPTION
1	70400025	1	Hydraulic Pump Unit, ELECTROPAK
	70400725	1	Hydraulic Pump Unit, THERMALPAK
*A	70091739	1	Motor, ELECTROPAK
	70400851	1	Motor W/Reset Switch, THERMALPAK
*B	70092531	1	Solenoid, ELECTROPAK
	75089831	1	Solenoid, THERMALPAK
*C	75089850	1	Fuse Holder
*D	75089852	1	20 AMP Fuse
*E	70400026	1	Control Cord
*F	70091734	1	Breather
*G	70400027	1	Hydraulic Reservoir
*H	75083031	1	90° Swivel Elbow
*J	75082611	1	90° Male Elbow
2	75083073	2	Hose Assembly
3	75083016	1	45° Swivel Elbow
4	75083018	1	45° Swivel Elbow
5	20280020	1	Hydraulic Cylinder
6	10090500	1	Pump Cover Assembly
7	10021000	1	Pump Mounting Bracket
8	75088081	3	3/8" Lock Washer
9	75086056	3	Hex Bolt, 3/8"-16 x 1" LG., Grade 5
10	10022000	1	Pump Mounting Bracket Channel
11	75085193	1	Flex Nut, 3/8"-16
12	10021500	1	Pump Mounting Bracket
13	75088083	1	1/2" Lock Washer
14	75086108	1	Hex Bolt, 1/2"-13 x 1-1/2" LG., Grade 2
15	70110040	1	Flow Control Valve

ELECTRIC CONTROLS, POWER DOWN



WALTCO
TRUCK EQUIPMENT CO.
E, F, & FSL

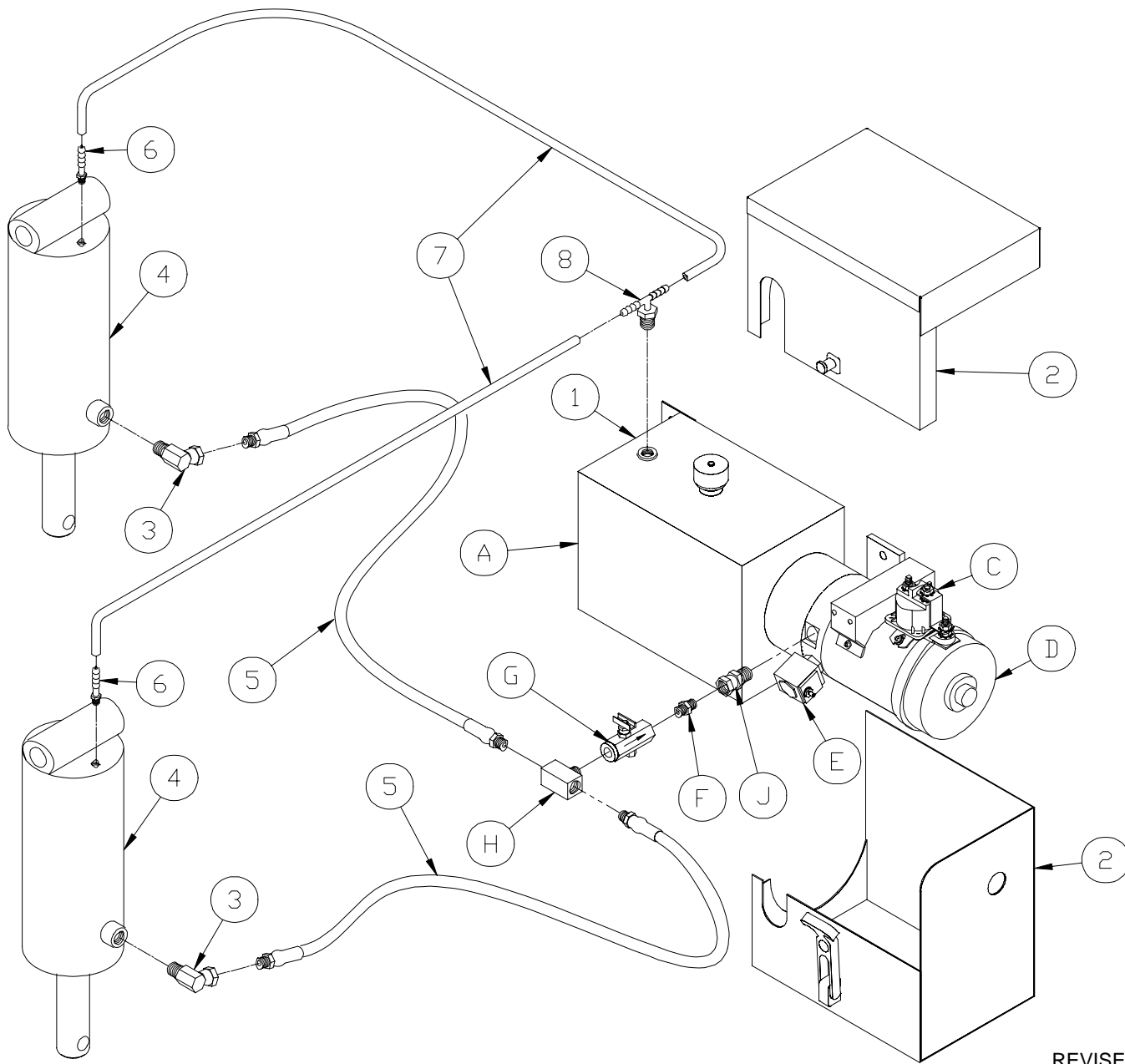
REVISED: 7-18-03
 E.O. 5073
 REV. 03

PM-494

ITEM	PART NUMBER	QTY	DESCRIPTION
1	70400025	1	Hydraulic Pump Unit, Electropak®
	70400725		Hydraulic Pump Unit, Thermalpak® with Voltage Guard™
*A	70091739	1	Motor, Electropak®
	70400855		Motor, Thermalpak® with Voltage Guard™
*B	75089831	1	Solenoid
*C	75089850	1	Fuse Holder
*D	75089853	1	5 AMP Fuse
*E	70400026	1	Control Cord
*F	70091734	1	Breather
*G	70400027	1	Hydraulic Reservoir
*H	75083031	1	90° Swivel Elbow
*J	75082611	1	90° Male Elbow
*K	10099303	1	Power Down Module, 12 volt
	10099304		Power Down Module, 24 volt
*L	75090052	1	Hose Clamp, Worm Drive
2	75083073	2	Hose Assembly
3	75083016	1	45° Swivel Elbow
4	75083018	1	45° Swivel Elbow
5	20280020	1	Hydraulic Cylinder
6	10090500	1	Pump Cover Assembly
7	10021000	1	Pump Mounting Bracket
8	75088081	3	3/8" Lock Washer
9	75086056	3	Hex Bolt, 3/8"-16 x 1" LG. Grade 5
10	10022000	1	Pump Mounting Bracket Channel
11	75085193	1	Flex Nut, 3/8"-16
12	10021500	1	Pump Mounting Bracket
13	75088083	1	1/2" Lock Washer
14	75086108	1	Hex Bolt, 1/2"-13 x 1-1/2" LG. Grade 2
15	70110040	1	Flow Control Valve

*These parts included in 70400025 (Electropak®) or 70400725 (Thermalpak® with Voltage Guard™) Assembly

HYDRAULIC POWER UNIT



WALTCO
TRUCK EQUIPMENT CO.
F-40, FSL-40 & FSL-50

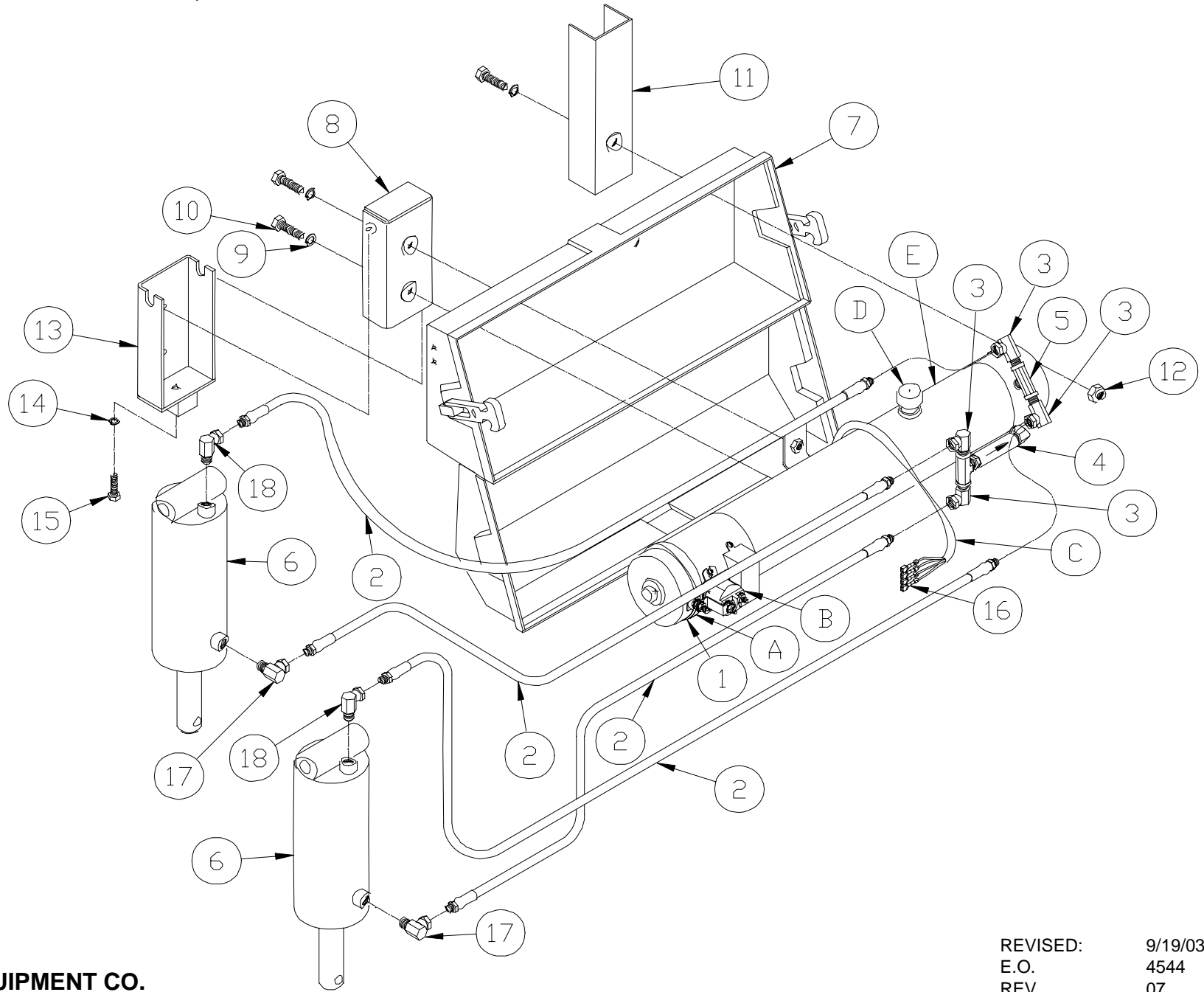
REVISED:
E.O.
REV.

5/30/03
5038
05

PM-414

ITEM	PART NUMBER	QTY	DESCRIPTION
1	70400850	1	Hydraulic Pump Unit
*A		1	Hydraulic Reservoir
*B	70091734	1	Breather
*C	75089831	1	Solenoid
*D	70400854	1	Motor
*E	70400003	1	Dump Solenoid Coil
*F	75082613	1	3/8" Nipple
*G	70189861	1	Flow Control Valve
*H	75082859	1	Tee Male on Side
*J	75082914	1	3/8" Swivel Fitting
2	20690500	1	Hydraulic Enclosure
3	75083017	1	45° 3/8" Swivel Elbow
4	20280050	2	Hydraulic Cylinder
5	75083068	2	3/8" x 60" Hose Assembly
6	75082741	2	Barbed Fitting 1/8" NPTF x 1/4" Straight
7	26299500	2	Tube Flexible PVC 60" lg.
8	75082746	1	Barbed Fitting 3/8" NPTF x 1/4" Tee

HYDRAULIC POWER UNIT, POWER DOWN



WALTCO
TRUCK EQUIPMENT CO.
F-40 and FSL-40

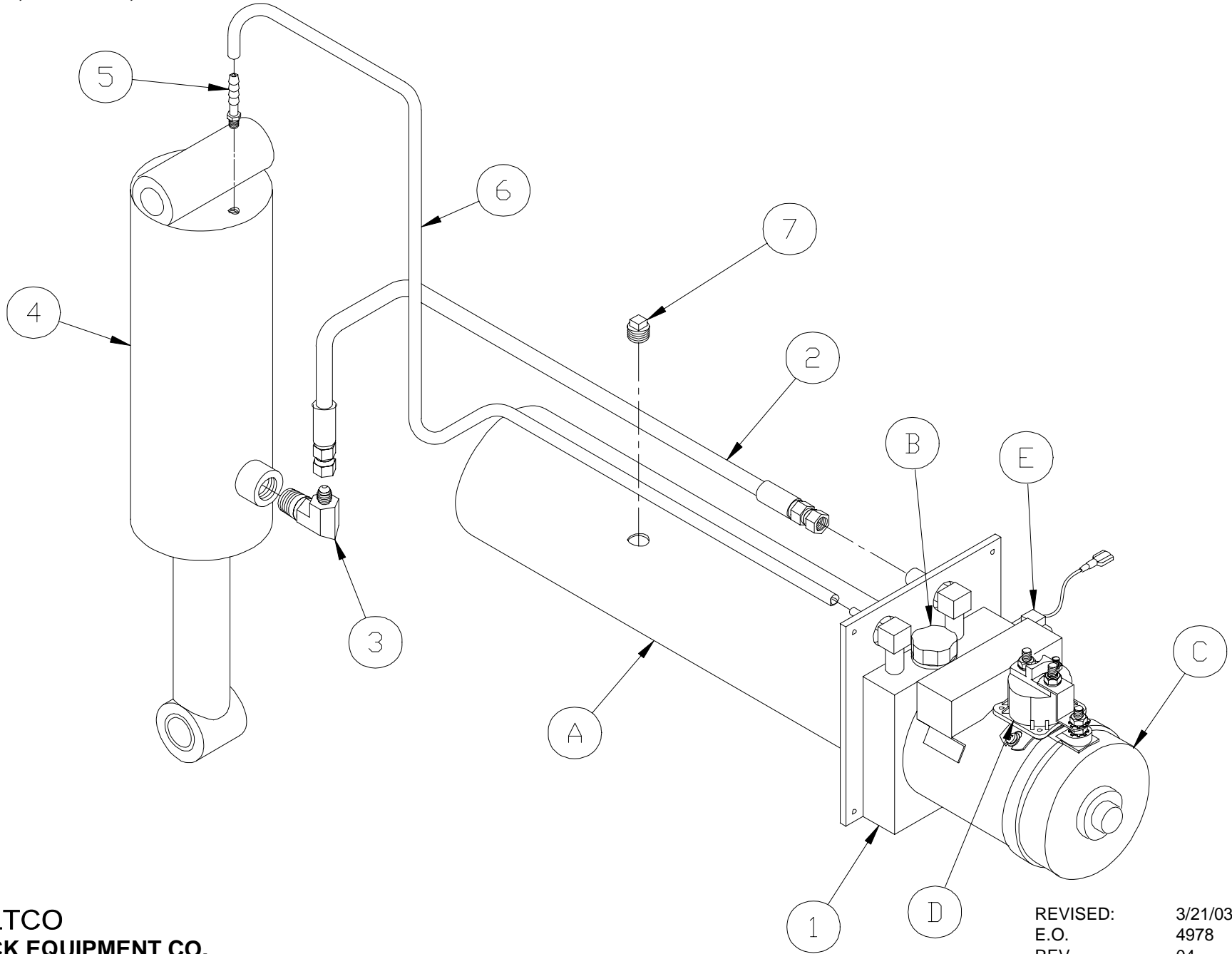
REVISED: 9/19/03
E.O. 4544
REV. 07

PM-415

ITEM	PART NUMBER	QTY	DESCRIPTION
1	70400725	1	Hydraulic Pump Unit
*A	70400855		Motor
*B	75089831	1	Solenoid
*C	70400026	1	Control Cord
*D	70091734	1	Breather
*E	70400027	1	Hydraulic Reservoir
2	75083073	4	1/4" x 60" hose Assembly
3	75083031	4	90° Swivel Elbow
4	70110040	1	Flow Control Valve
5	75082858	2	1/4" NPT Fitting
6	20280090	2	Hydraulic Cylinder and Reducer
7	10090500	1	Pump Cover Assembly
8	10021000	1	Pump Mounting Bracket
9	75088081	3	3/8" Lock Washer
10	75086056	3	Hex Bolt, 3/8"-16 x 1" lg. Grade 5
11	10022000	1	Pump Mounting Bracket Channel
12	75085193	1	Flex Nut, 3/8" - 16
13	10021500	1	Pump Mounting Bracket
14	75088083	1	1/2" Lock Washer
15	75086108	1	Hex Bolt, 1/2"-13 x 1-1/2" Lg. Grade 2
16	75082019	1	Female Connector (Dual Control Only)
17	75083018	2	45° x 3/8" M x 1/4" F Swivel Elbow
18	75083016	2	45° 1/4" M x 1/4" F Swivel Elbow

* These parts included in 70400725 Assembly

F-20RM, F-30RM, E-25RM AND E-30RM HYDRAULIC LAYOUT



**WALTCO
TRUCK EQUIPMENT CO.
F-20RM, F-30RM, E-25RM,
E-30RM SERIES**

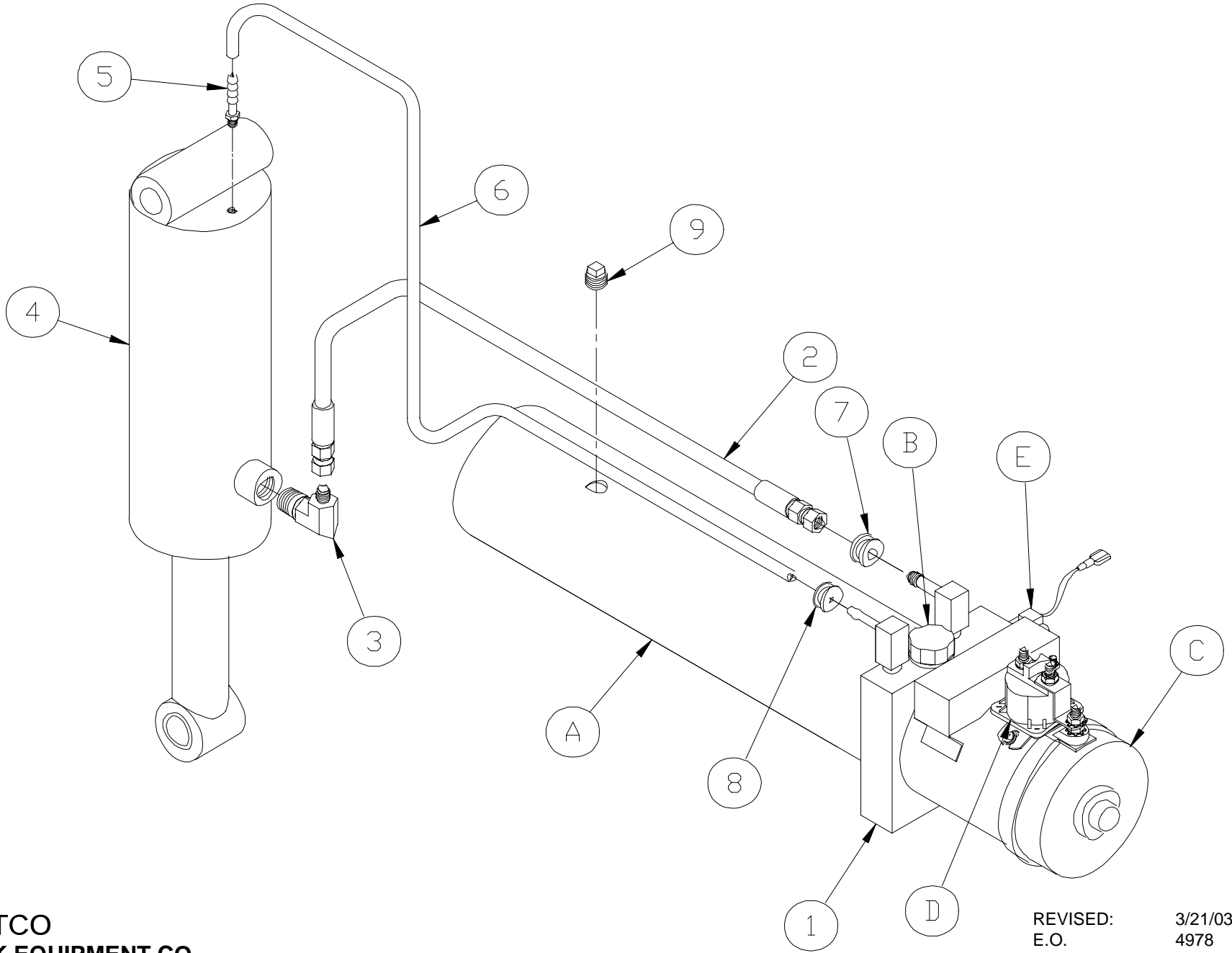
REVISED: 3/21/03
E.O. 4978
REV. 04

PM-519

ITEM	PART NUMBER	QTY	DESCRIPTION
1	70401400	1	Hydraulic Pump Unit Electropak®
	70401450		Hydraulic Pump Unit Thermalpak® with Voltage Guard™
A	70401456	1	Hydraulic Reservoir
B	70091734	1	Breather
C	70092359	1	Motor Assembly Electropak®
	70400854		Motor Assembly Thermalpak® with Voltage Guard
D	75089822	1	Starter Solenoid
E	70401476	1	Valve Assembly, 2-way, 2 position
2	75083202	1	Hose, 1/4" I.D. x 1/4" JIC x 3/8" JIC
3	75083211	1	90° Elbow, 3/8" NPT x 1/4" JIC
4	20280010 ^A	1	Hydraulic Cylinder
5	75082741 ^A	1	Barbed Fitting, 1/8" NPTF x 1/4" Straight
6	26299500 ^A	1	Hose, 1/4" I.D.
7	70401457	1	Steel Plug

^A Included in Cylinder Replacement Kit 20295401.

HYDRAULIC LAYOUT, GRAVITY DOWN



WALTCO
TRUCK EQUIPMENT CO.
F-20RM, F-30RM, E-25RM,
E-30RM SERIES

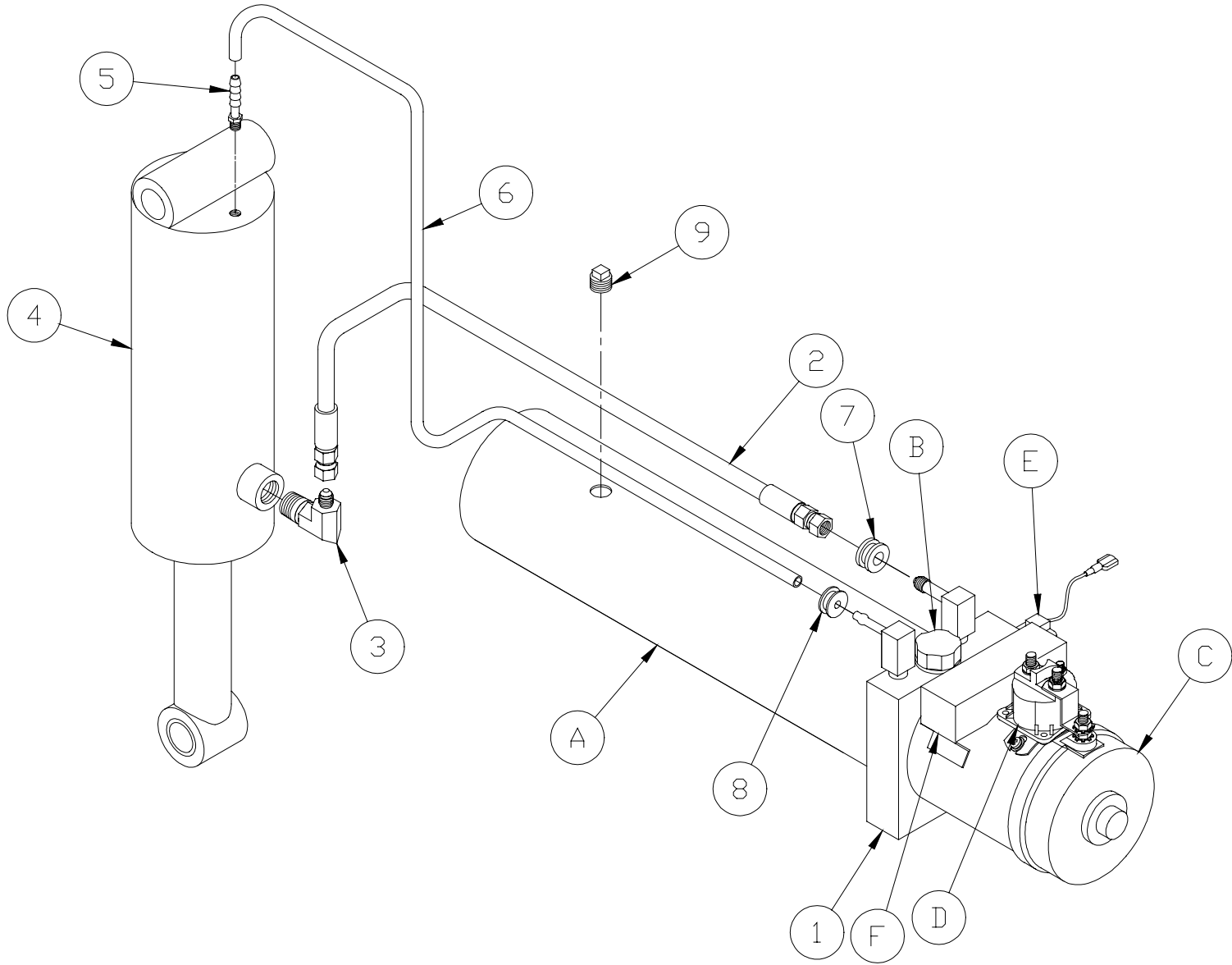
REVISED: 3/21/03
E.O. 4978
REV. 01

PM-519A

ITEM	PART NUMBER	QTY	DESCRIPTION
1	70401700	1	Hydraulic Pump Unit Electropak®
	70401750		Hydraulic Pump Unit Thermalpak® with Voltage Guard™
A	70401456	1	Hydraulic Reservoir
B	70091734	1	Breather
C	70092359	1	Motor Assembly Electropak®
	70400854		Motor Assembly Thermalpak® with Voltage Guard
D	75089831	1	Starter Solenoid
E	70401476	1	Valve Assembly, 2-way, 2 position
2	75083202	1	Hose, 1/4" I.D. x 1/4" JIC x 3/8" JIC
3	75083211	1	90° Elbow, 3/8" NPT x 1/4" JIC
4	20280010 ^A	1	Hydraulic Cylinder
5	75082741 ^A	1	Barbed Fitting, 1/8" NPTF x 1/4" Straight
6	26299500 ^A	1	Hose, 1/4" I.D.
7	70401408	1	7/16" I.D. Grommet
8	70401409	1	1/4" I.D. Grommet
9	70401451	1	Steel Plug

^A Included in Cylinder Replacement Kit 20295401.

HYDRAULIC LAYOUT, GRAVITY DOWN



WALTCO
TRUCK EQUIPMENT CO.
F-20RM, F-30RM
E-25RM, E-30RM

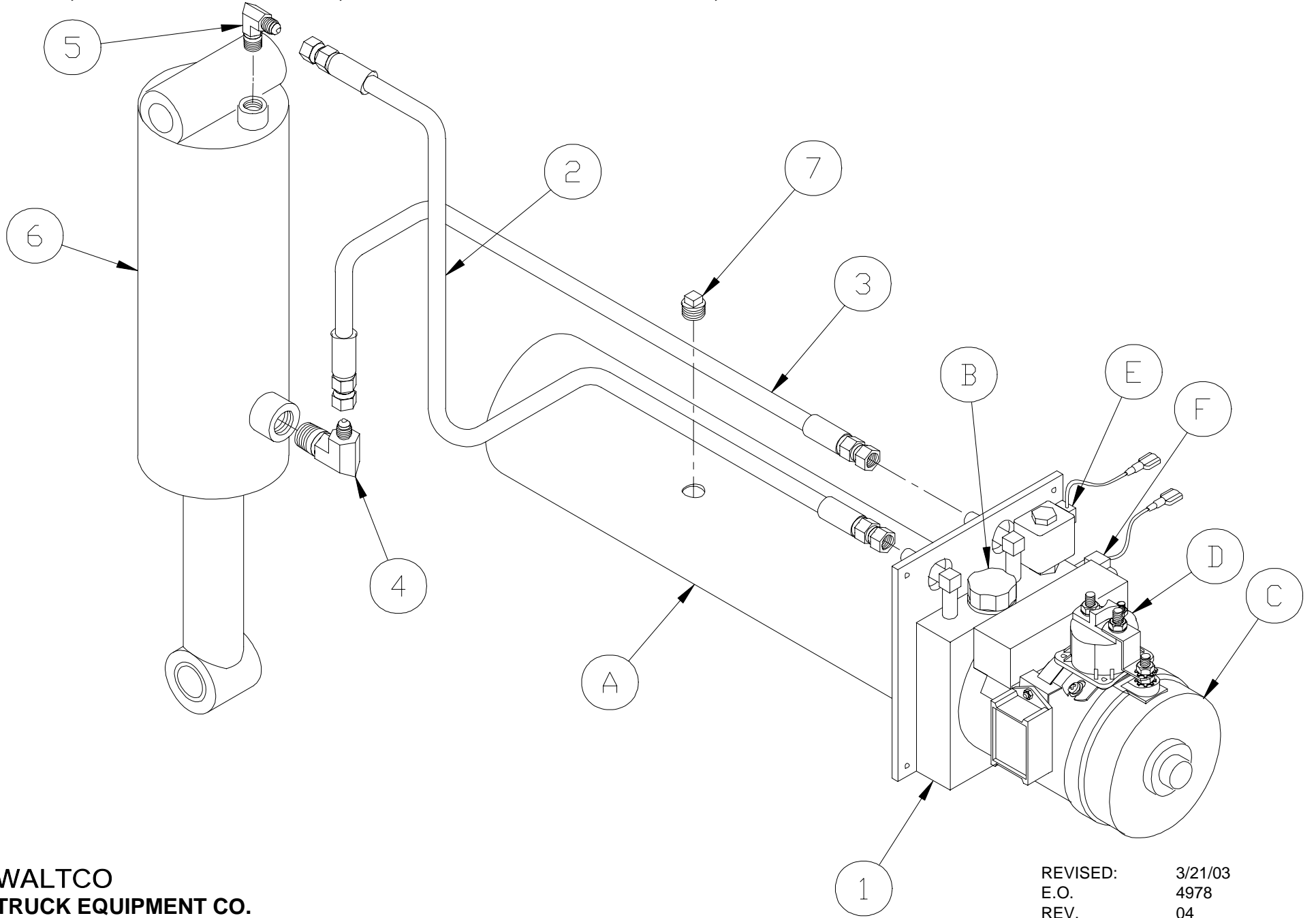
REVISED: 1/16/04
 E.O. 5130
 REV. 01

PM-619

ITEM	PART NUMBER	QTY	DESCRIPTION
1	70401900	1	Hydraulic Pump Unit Electropak®
	70401950		Hydraulic Pump Unit Thermalpak® with Voltage Guard™
A	70400001	1	Hydraulic Reservoir
B	70400004	1	Breather
C	70092312 ^A	1	Motor
D	75089831 ^A	1	Starter Solenoid
E	70401476	1	Valve Assembly, 2-way, 2 position
F	10099403 ^A	1	Thermalpak® with Voltage Guard™
2	75083202	1	Hose, 1/4" I.D. x 1/4" JIC x 3/8" JIC
3	75083211	1	90° Elbow, 3/8" NPT x 3/8" JIC
4	20280010 ^B	1	Hydraulic Cylinder
5	75082741 ^B	1	Barbed Fitting, 1/8" NPTF x 1/4" Straight
6	26299500 ^B	1	Hose, 1/4" I.D.
7	70401408	1	7/16" I.D. Grommet
8	70401409	1	1/4" I.D. Grommet
9	70091291	1	Steel Plug

^A Included in Thermalpak® Motor Assembly 70400854.
^B Included in Cylinder Replacement Kit 20295401.

F-20RM, F-30RM AND E-25RM, E-30RM HYDRAULIC LAYOUT, POWER DOWN



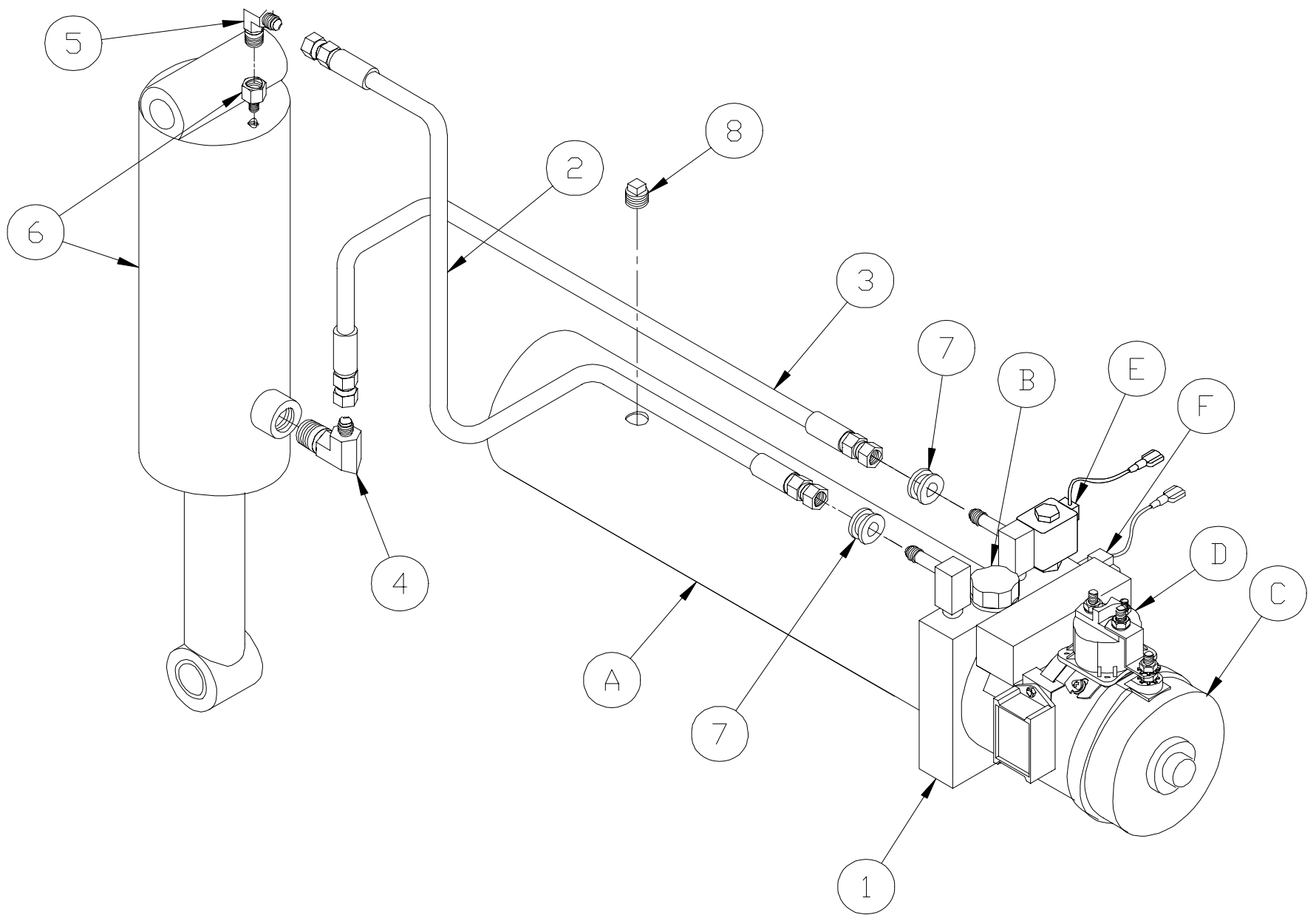
REVISED: 3/21/03
 E.O. 4978
 REV. 04

PM-520

**WALTCO
 TRUCK EQUIPMENT CO.
 F-20RM, F-30RM, E-25RM,
 E-30RM SERIES**

ITEM	PART NUMBER	QTY	DESCRIPTION
1	70401425	1	Hydraulic Pump Unit Electropak®
	70401475		Hydraulic Pump Unit Thermalpak® with Voltage Guard™
A	70401456	1	Hydraulic Reservoir
B	70091734	1	Breather
C	70091739	1	Motor Assembly Electropak®
	70400855		Motor Assembly Thermalpak® with Voltage Guard™
D	75089822	1	Starter Solenoid
E	70401476	1	Valve Assembly, 2-way, 2 position
F	70401477	1	Valve assembly, 4-way, 2 position
2	75083201	1	Hose, 1/4" I.D. x 1/4" JIC x 1/4" JIC, 57"
3	75083202	1	Hose, 1/4" I.D. x 1/4" JIC x 3/8" JIC, 45"
4	75083211	2	90° Elbow, 3/8" NPT x 1/4" JIC
5	75083212	1	45° Elbow, 1/4" NPT x 1/4" JIC
6	20280020	1	Hydraulic Cylinder
7	70401457	1	Steel Plug

HYDRAULIC LAYOUT, POWER DOWN



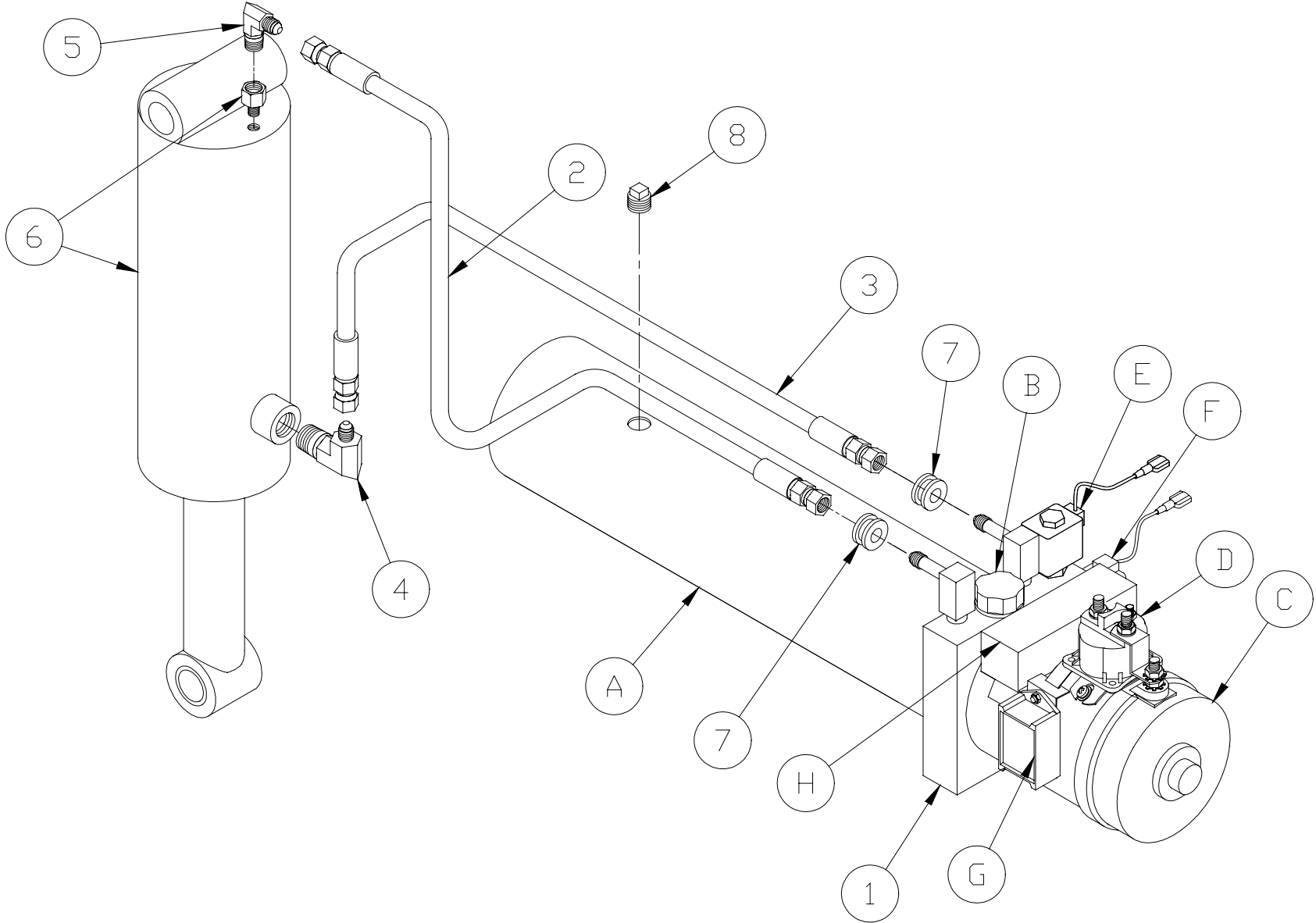
WALTCO
TRUCK EQUIPMENT CO.
MODEL

REVISED: 9/26/03
E.O. 5034
REV. 04

PM-520A

ITEM	PART NUMBER	QTY	DESCRIPTION
1	70401775	1	Hydraulic Pump Unit Electropak®
	70401725		Hydraulic Pump Unit Thermalpak® with Voltage Guard™
A	70401456	1	Hydraulic Reservoir
B	70091734	1	Breather
C	70400855	1	Motor Assembly Electropak®
	70092359		Motor Assembly Thermalpak® with Voltage Guard™
D	75089831	1	Starter Solenoid
E	70401476	1	Valve Assembly, 2-way, 2 position
F	70401477	1	Valve assembly, 4-way, 2 position
2	75083200	1	Hose, 1/4" I.D. x 1/4" JIC x 1/4" JIC, 45"
3	75083202	1	Hose, 1/4" I.D. x 1/4" JIC x 3/8" JIC, 45"
4	75083211	2	90° Elbow, 3/8" NPT x 3/8" JIC
5	75083212	1	45° Elbow, 1/4" NPT x 1/4" JIC
6	20280020	1	Hydraulic Cylinder and Reducer
7	70401408	2	7/16" I.D. Grommet
8	70401457	1	Steel Plug

HYDRAULIC LAYOUT, POWER DOWN



WALTCO
TRUCK EQUIPMENT CO.
F-20RM, F-30RM
E-25RM, E-30RM

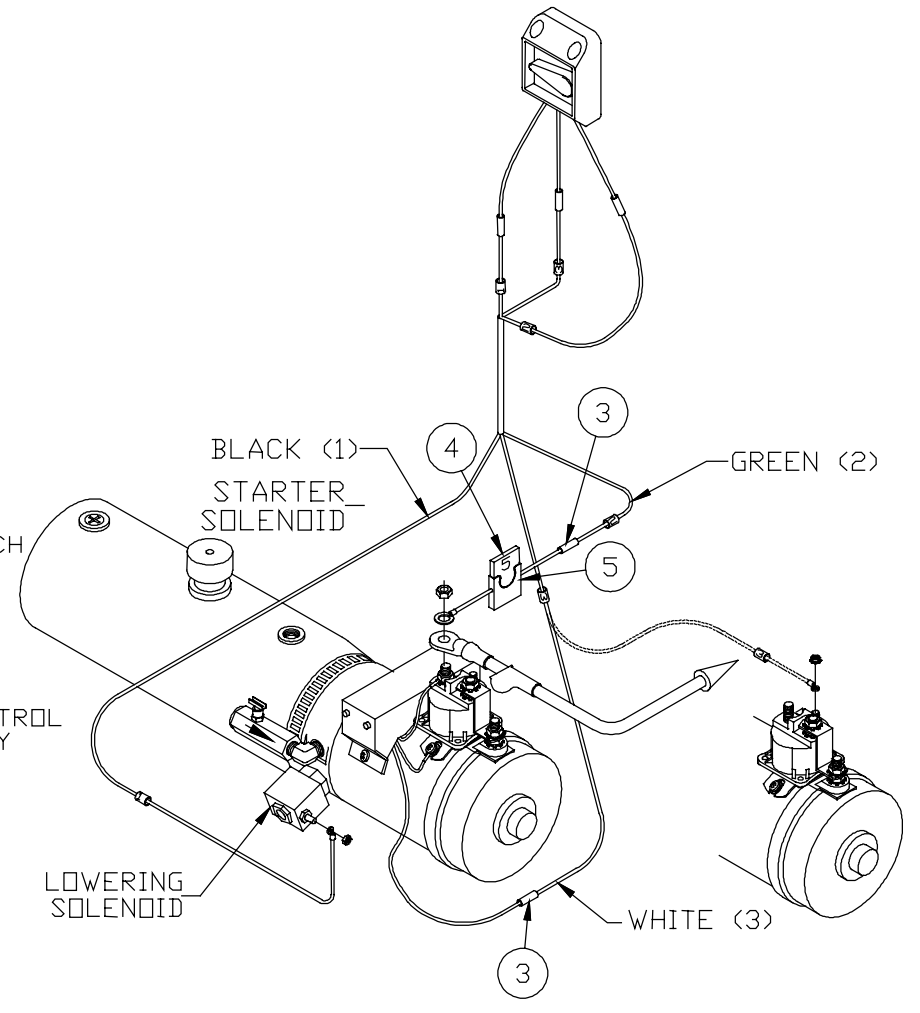
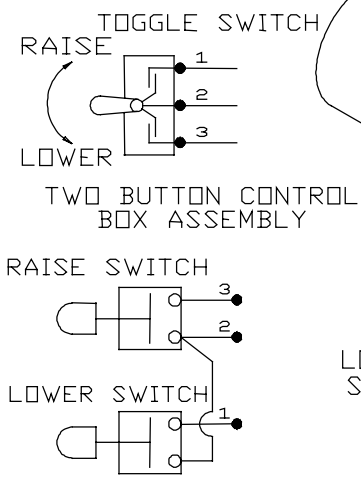
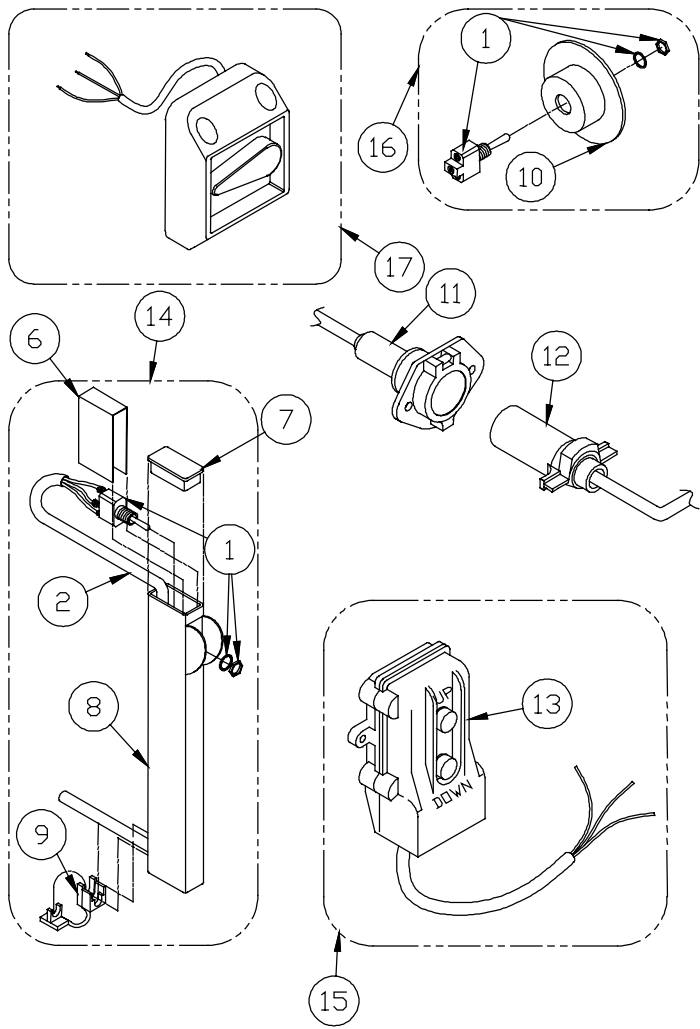
REVISED: 2-1-04
 E.O. 5221A
 REV. 02

PM-620

ITEM	PART NUMBER	QTY	DESCRIPTION
1	70401925	1	Hydraulic Pump Unit Electropak®
	70401975		Hydraulic Pump Unit Themalpak® with Voltage Guard™
A	70400001	1	Hydraulic Reservoir
B	70400004	1	Breather
C	70092312 ^A	1	Motor
D	75089831 ^A	1	Starter Solenoid
E	70401476	1	Valve Assembly, 2-way, 2 position
F	70401477	1	Valve assembly, 4-way, 2 position
G	80001032 ^A	1	Power Down Module
H	10099403 ^A	1	Themalpak® with Voltage Guard™
2	75083200	1	Hose, 1/4" I.D. x 1/4" JIC x 1/4" JIC, 45"
3	75083202	1	Hose, 1/4" I.D. x 1/4" JIC x 3/8" JIC, 45"
4	75083211	2	90° Elbow, 3/8" NPT x 3/8" JIC
5	75083212	1	45° Elbow, 1/4" NPT x 1/4" JIC
6	20280020	1	Hydraulic Cylinder and Reducer
7	70401408	2	7/16" I.D. Grommet
8	70091291	1	Steel Plug

^A Included in Themalpak® Motor Assembly 70400855.

ELECTRIC CONTROL OPTIONS, GRAVITY DOWN



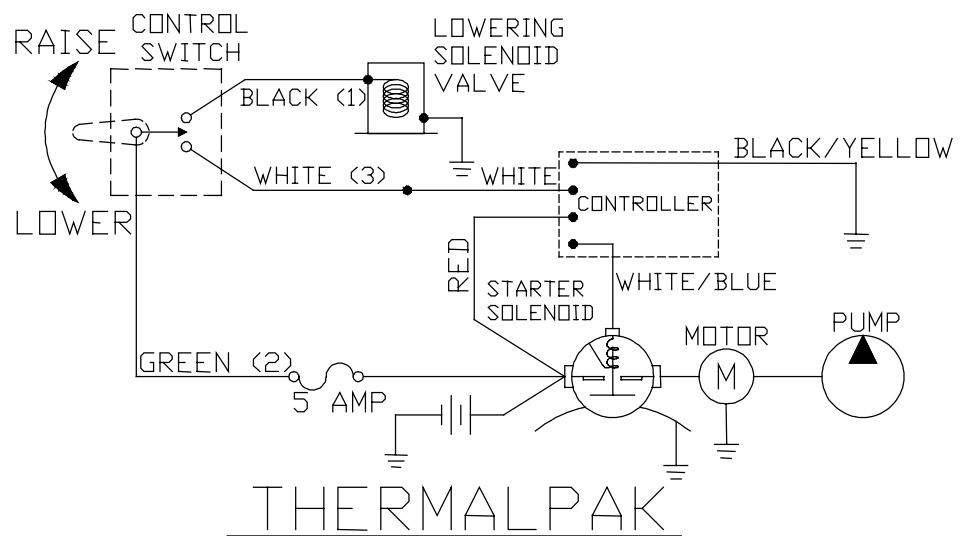
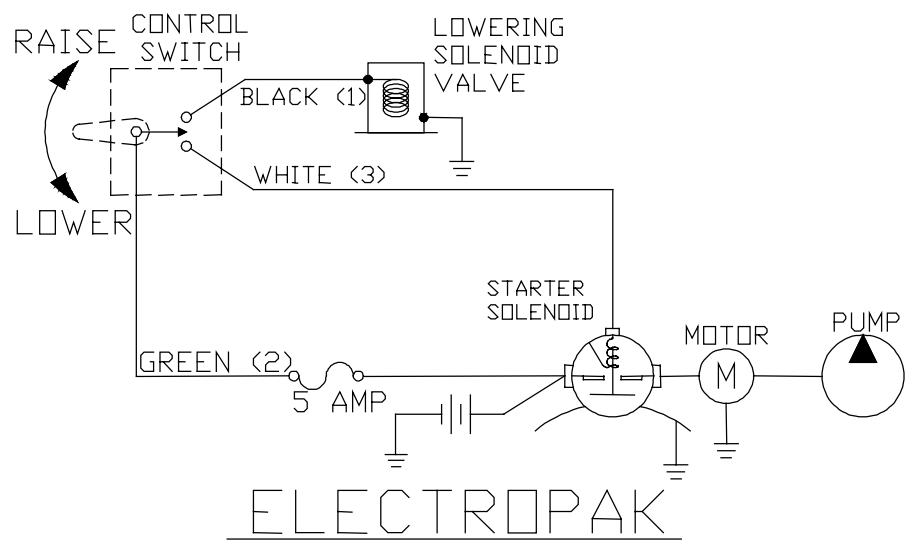
**WALTCO
TRUCK EQUIPMENT CO.**

REVISED: 12-1-03
E.O. 5221
REV. 13

PM-343

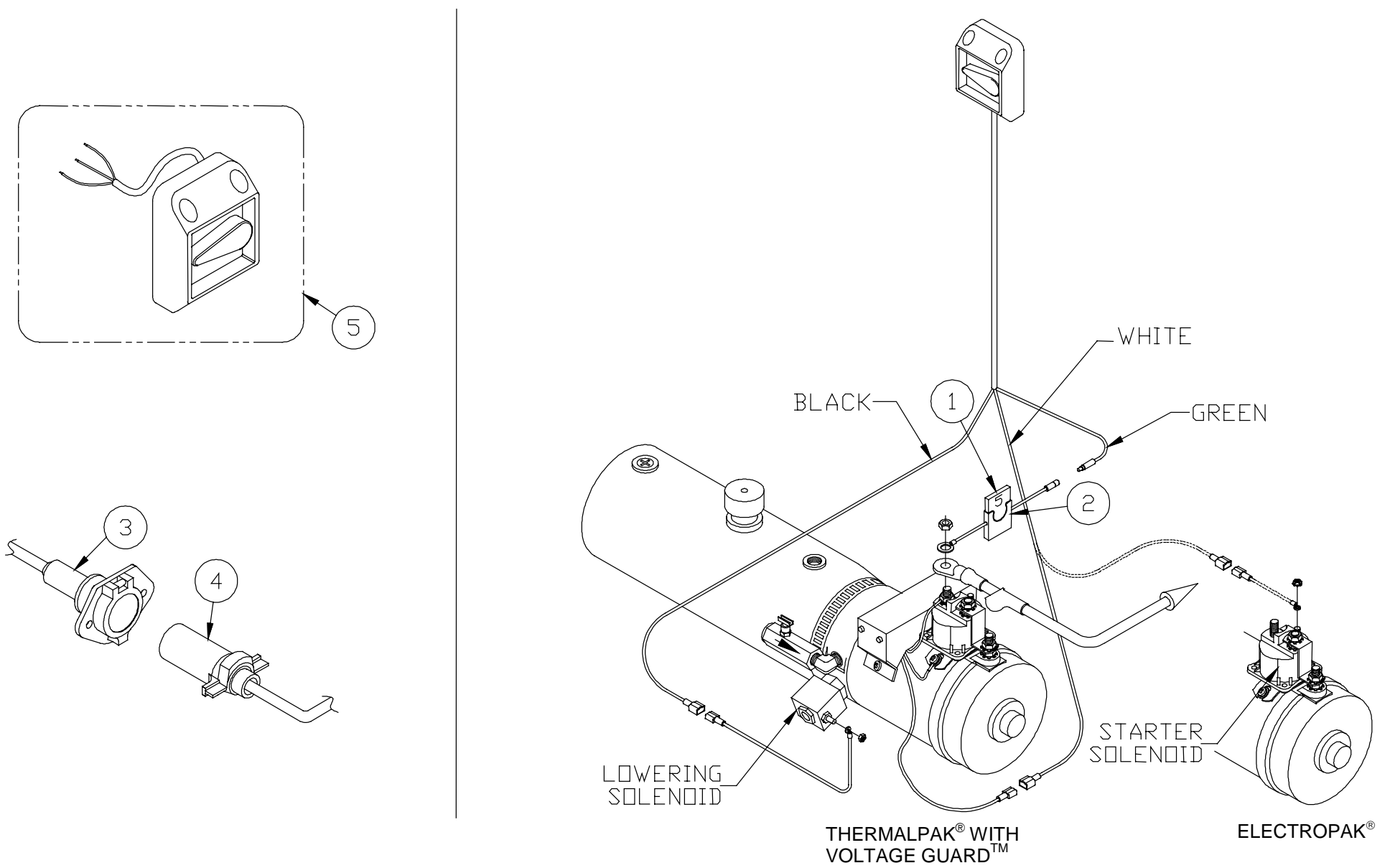
ITEM	PART NUMBER	QTY	DESCRIPTION
1	75089808	1	Toggle Switch
2	10098400	1	Control Cord Assembly
3	75082033	2	16 Ga. Butt Connector
4	75089853	1	5 AMP Fuse
5	75089850	1	Fuse Holder
6	33574100	1	Dielectric Insulation
7	33520900	1	Plug
8	10098100	1	Control Tube Assembly
9	75080055	1	Strain Relief
10	75089813	1	Recessed Switch Plate
11	75082038	1	Trailer Socket
12	75082037	1	Trailer Plug
13	75089798	1	Push Button Box Assembly
*14	10098000		Toggle Switch & Tube Kit
*15	75089800	1	Remote Box Straight Cord
	75089799	1	Remote Box Coil Cord
	80000470	1	Remote Box Straight Cord w/ plug & socket
	80000469	1	Remote Box Coil Cord w/ plug & socket
*16	80000468	1	Toggle Switch Kit
*17	10099300	1	SuperSwitch
	10099302	1	Remote SuperSwitch
	80000423	1	SuperSwitch Control Kit
	80000424	1	SuperSwitch Dual Control Kit
	80000425	1	SuperSwitch Conversion Kit
	80000799	1	Remote SuperSwitch Kit

**Boxed assemblies represent complete kits



WIRE No.	COLOR	FUNCTION
1	BLACK	LOWER (DOWN)
2	GREEN	HOT (POWER)
3	WHITE	RAISE (UP)

ELECTRIC CONTROL OPTIONS, GRAVITY DOWN



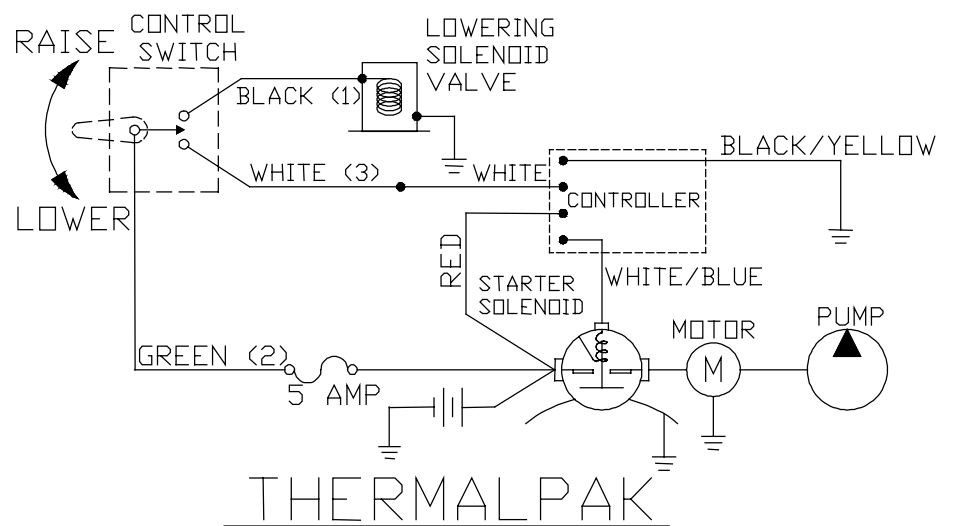
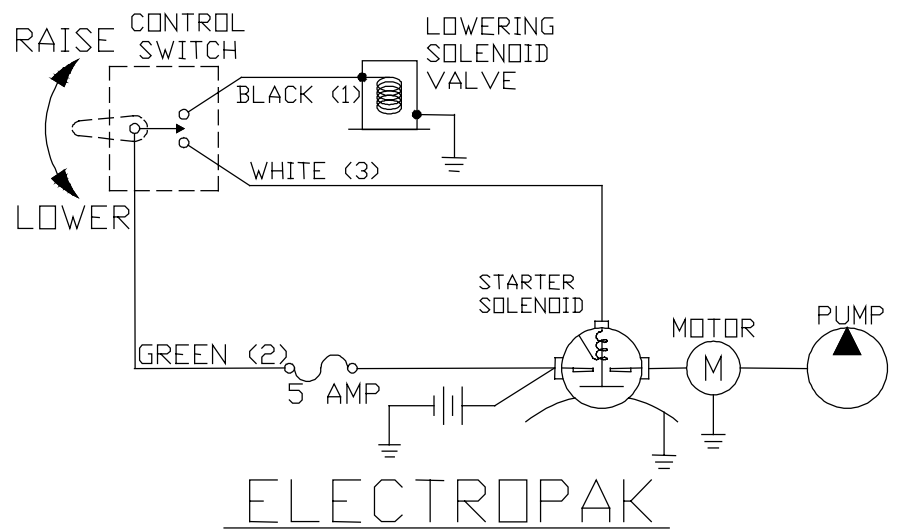
WALTCO
TRUCK EQUIPMENT CO.

REVISED: 12-1-03
E.O. 5221
REV. 02

PM-343A

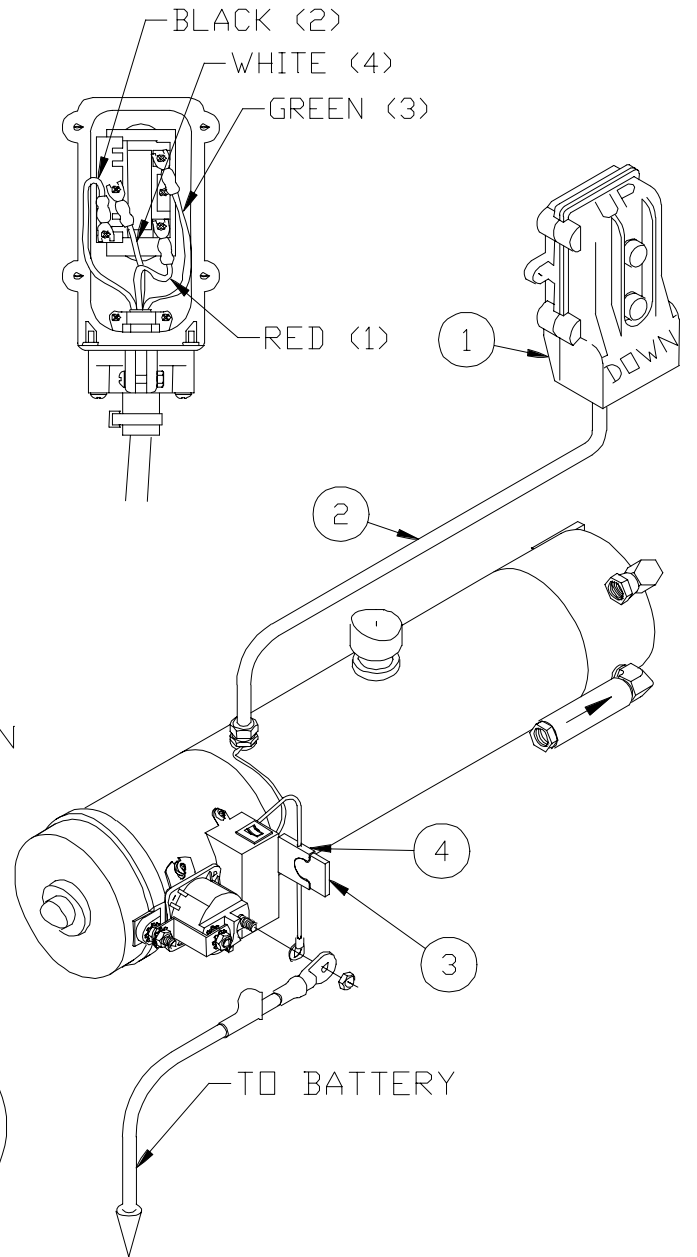
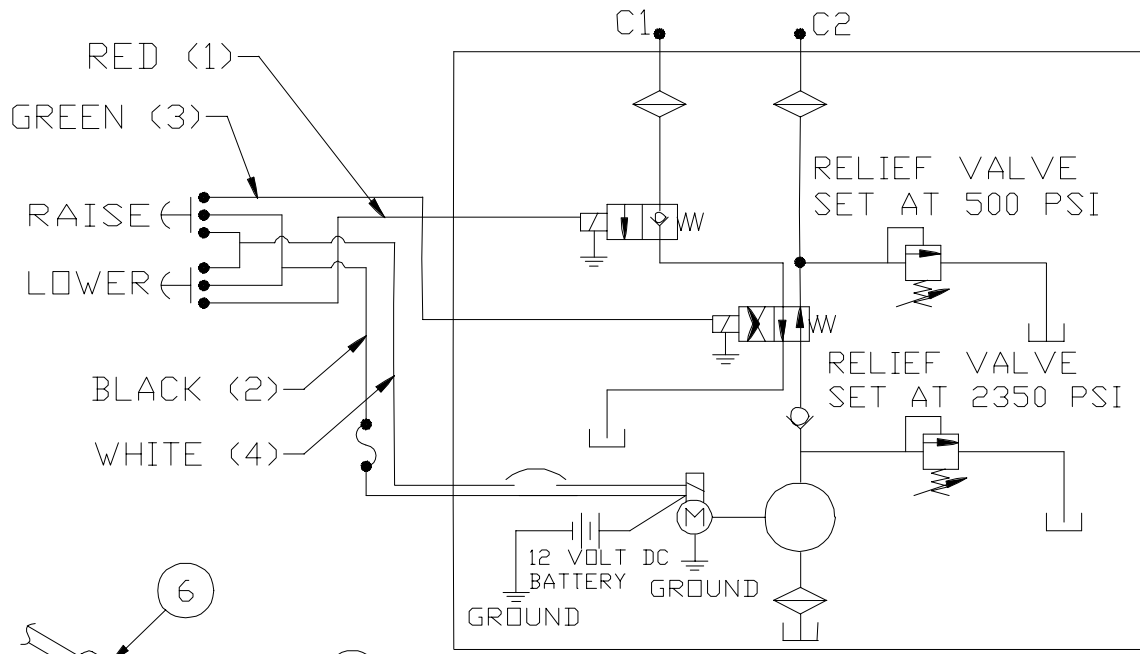
ITEM	PART NUMBER	QTY	DESCRIPTION
1	75089853	1	5 AMP Fuse
2	75089850	1	Fuse Holder
3	75082038	1	Trailer Socket
4	75082037	1	Trailer Plug
*5	10099300	1	SuperSwitch
	10099302	1	Remote SuperSwitch
	80000428	1	SuperSwitch Control Kit
	80000434	1	SuperSwitch Dual Control Kit
	80000425	1	SuperSwitch Conversion Kit
	80000799	1	Remote SuperSwitch Kit

*Boxed assemblies represent complete kits



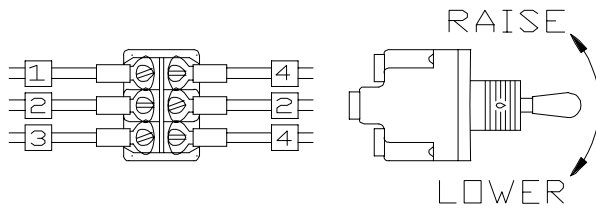
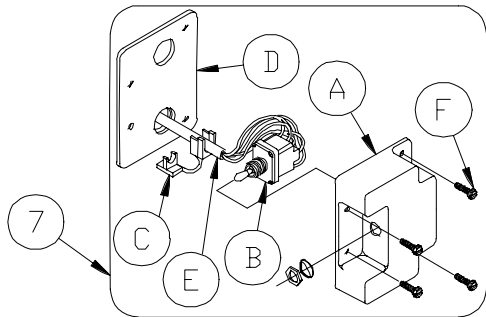
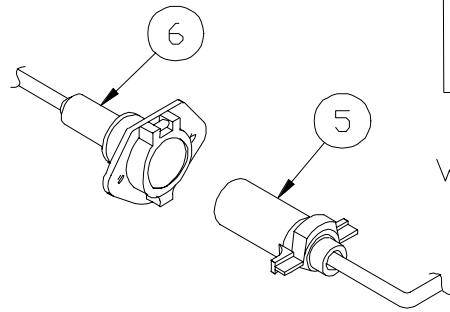
WIRE No.	COLOR	FUNCTION
1	BLACK	LOWER (DOWN)
2	GREEN	HOT (POWER)
3	WHITE	RAISE (UP)

ELECTRIC CONTROL OPTIONS, POWER DOWN



WIRE NUMBER, COLOR AND FUNCTION

WIRE No	COLOR	FUNCTION
1	RED	LOWER (DOWN)
2	BLACK	HOT (POWER)
3	GREEN	RAISE (UP)
4	WHITE	MOTOR START



**WALTCO
TRUCK EQUIPMENT CO.**

REVISED: 12-18-98
E.O. 3768
REV. 04

PM-344

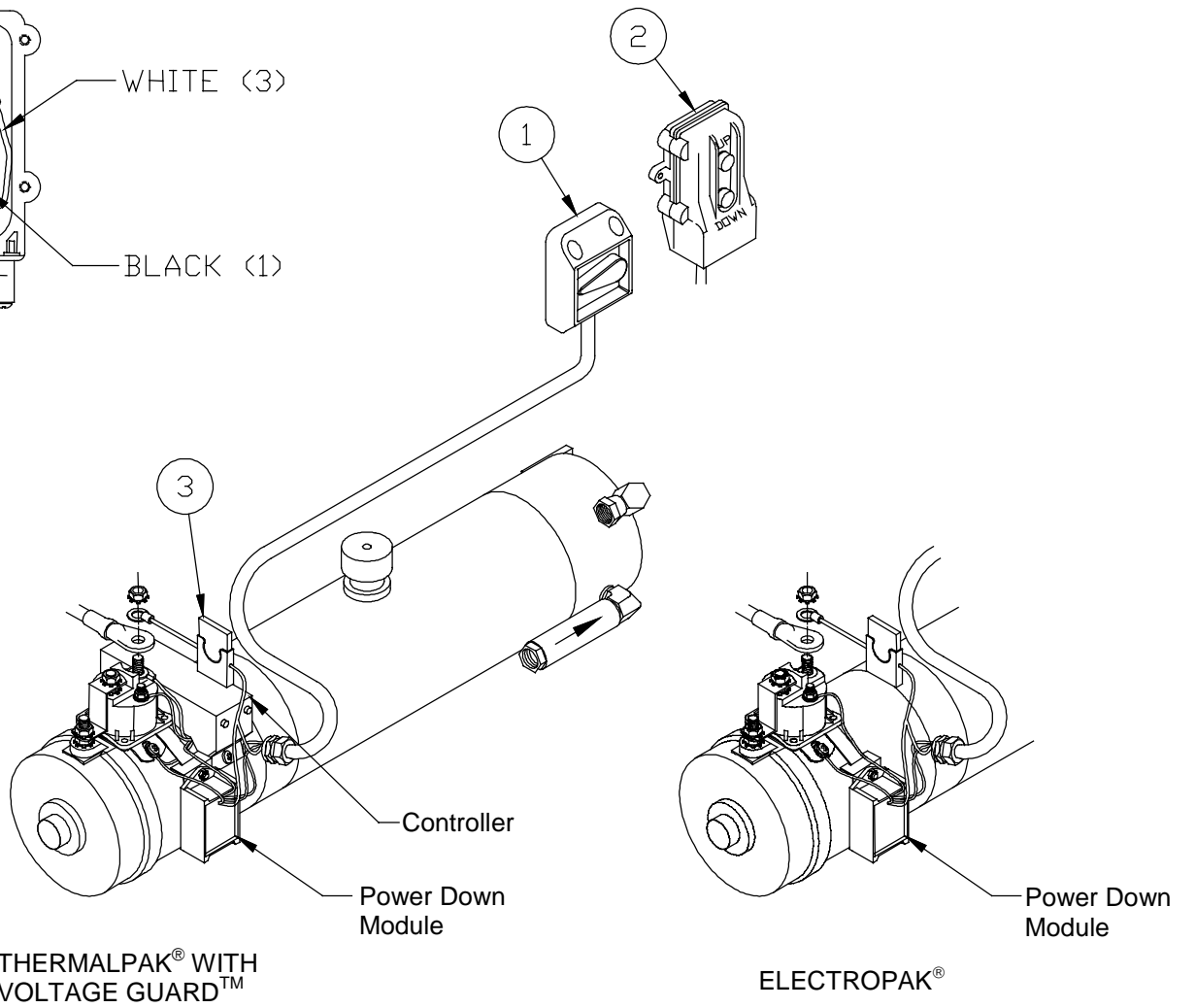
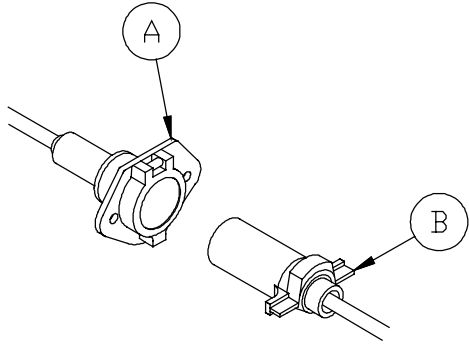
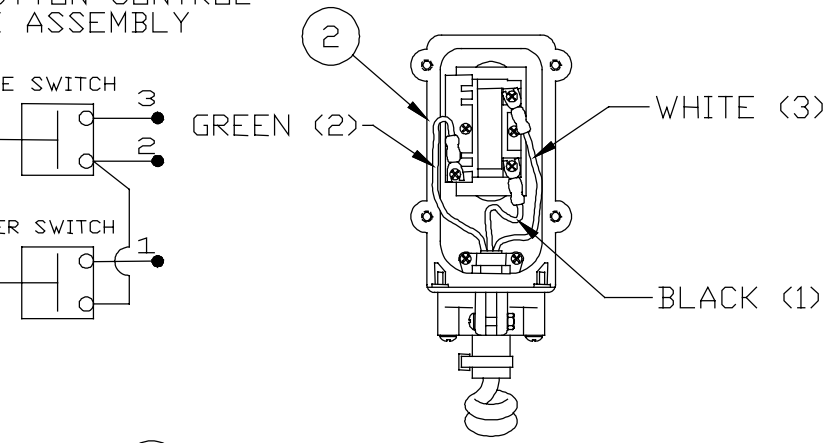
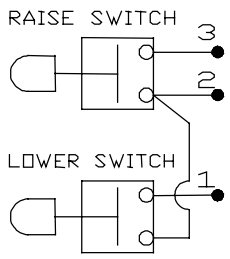
ITEM	PART NUMBER	QTY	DESCRIPTION
1	75089798	1	Remote Push Button Box Assembly
2	70400026	1	Control Cord
3	75089852	1	20 AMP Fuse
4	75089850	1	Fuse Holder
5	75082037	1	Trailer Plug (Optional)
6	75082038	1	Trailer Socket (Optional)
7	80000727		Power Down Control Kit
	80000728		Flipaway Power Down Dual Control Kit
*A	10098106	1	Switch Housing
*B	75089810	1	Toggle Switch
*C	75080055	1	Strain Relief
*D	10098206	1	Gasket
^a E	10098406	1	Control Cord Assembly(10')
	10098407		Control Cord Assembly (15') (Dual Control)
*F	75086919	4	#10 x 1" lg Self Tapping Screw

* These parts are included in kit 80000727 and 80000728.

^a These parts are included in kit 80000727 or 80000728.

ELECTRIC CONTROL OPTIONS, POWER DOWN

TWO BUTTON CONTROL BOX ASSEMBLY

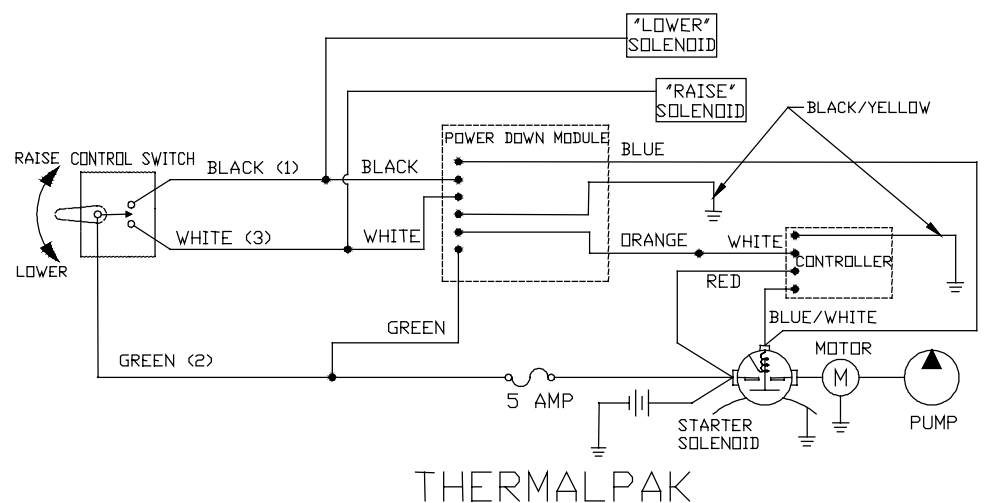
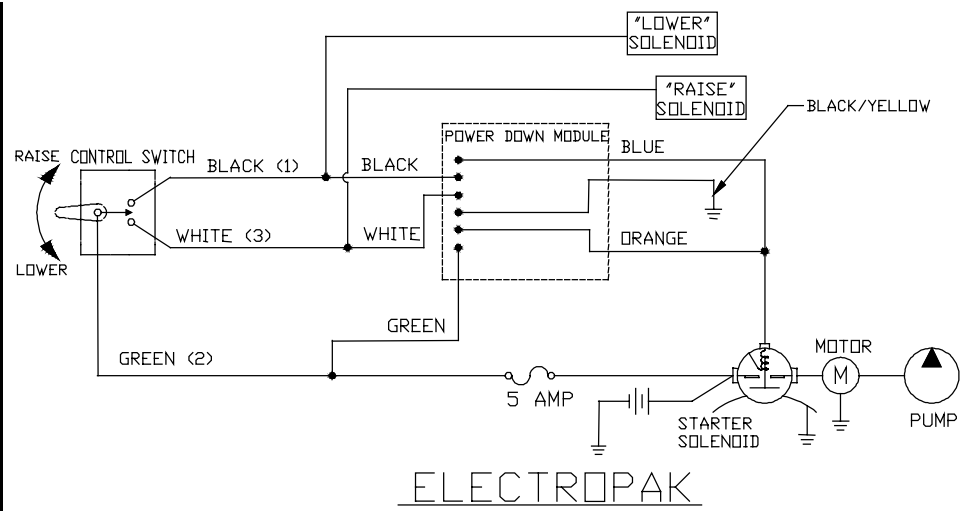


WALTCO
TRUCK EQUIPMENT CO.

REVISED: 12-1-03
E.O. 5221
REV. 05

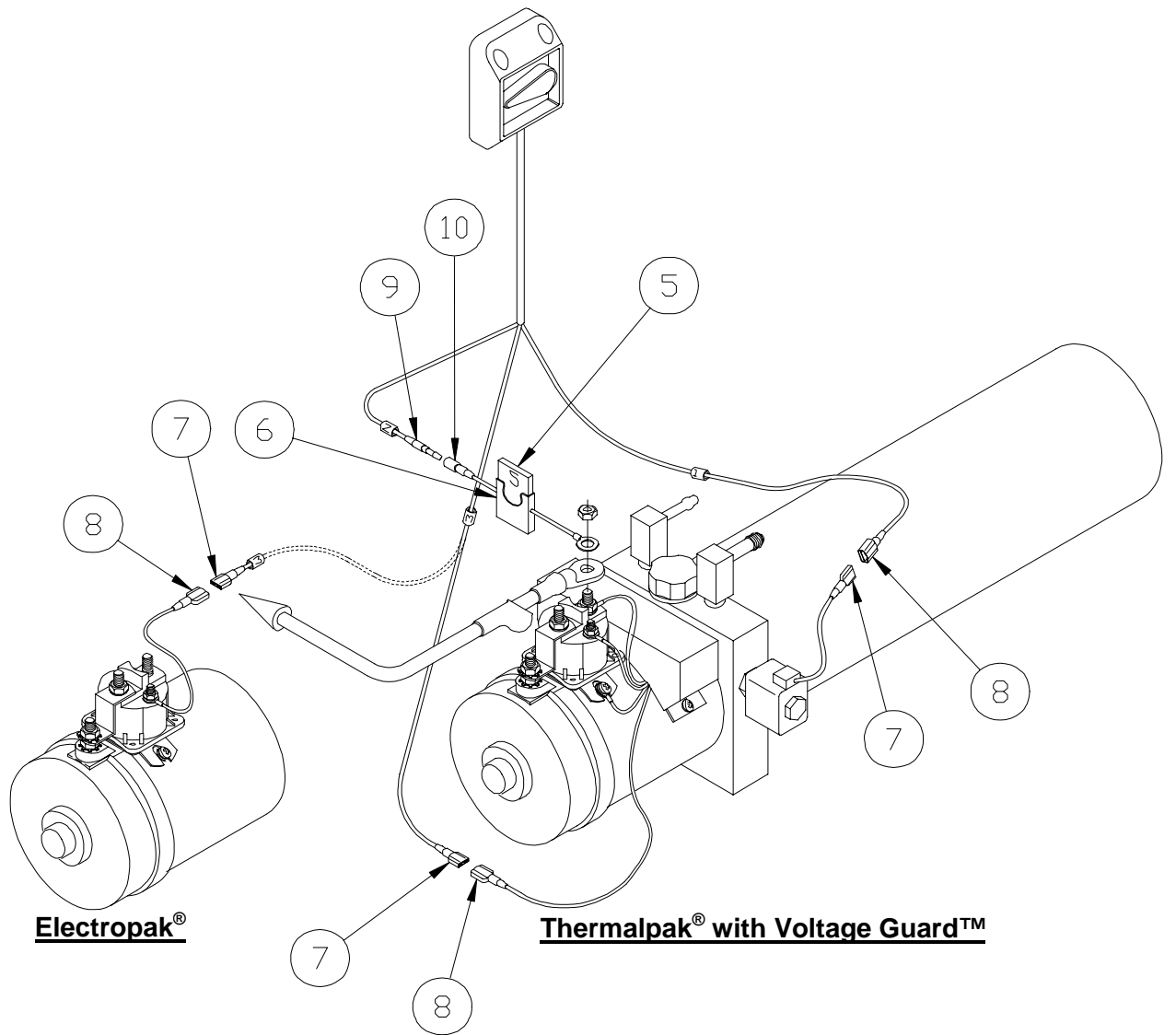
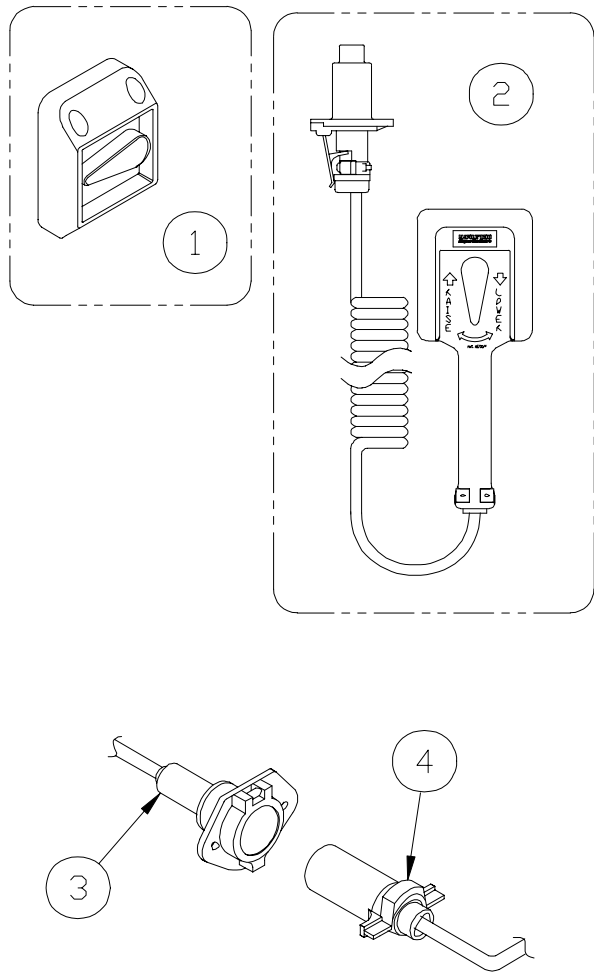
PM-489

ITEM	PART NUMBER	QTY	DESCRIPTION
1	10099300*		SuperSwitch™
	10099302**		Remote SuperSwitch™
2	22595007		Superswitch Power Down Kit
	75089798 ^A		Push Button Switch
	75089799 ^B		Remote Push Button Switch with Coil Cord
	75089800 ^C		Remote Push Button Switch w/Straight Cord
	80000797		Push Button Power Down Kit
	80000795		Remote Push Button Power Down Kit, CC
	80000796		Remote Push Button Power Down Kit, SC
A	75082037 ^{BC}		Trailer Plug
B	75082038 ^{BC}		Trailer Socket
3	75089853		5 amp Fuse



* Included in kit 22595007
** Included in kit 80000978
^A Included in kit 80000797
^B Included in kit 80000795
^C Included in kit 80000796

ELECTRIC CONTROL OPTIONS – Gravity Down



WALTCO
TRUCK EQUIPMENT CO.

REVISED: 12-1-03
E.O. 5221
REV. 01

PM-617

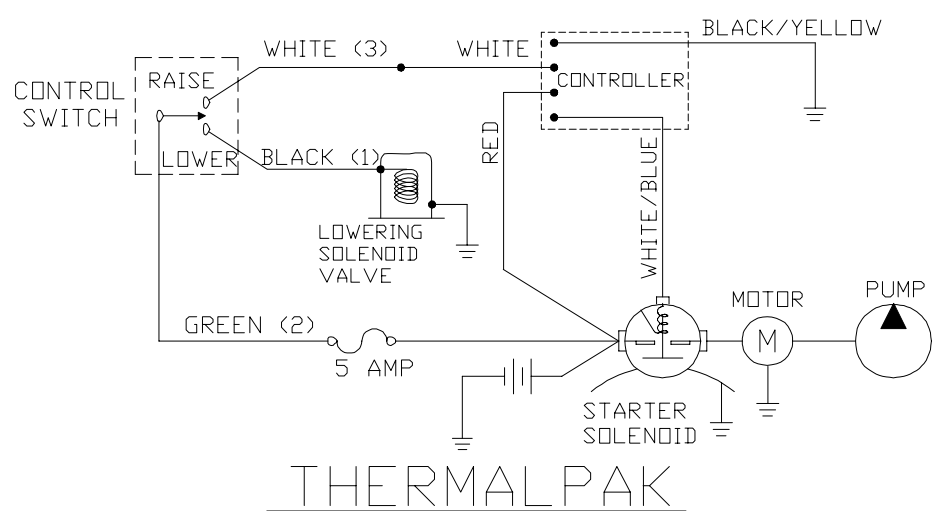
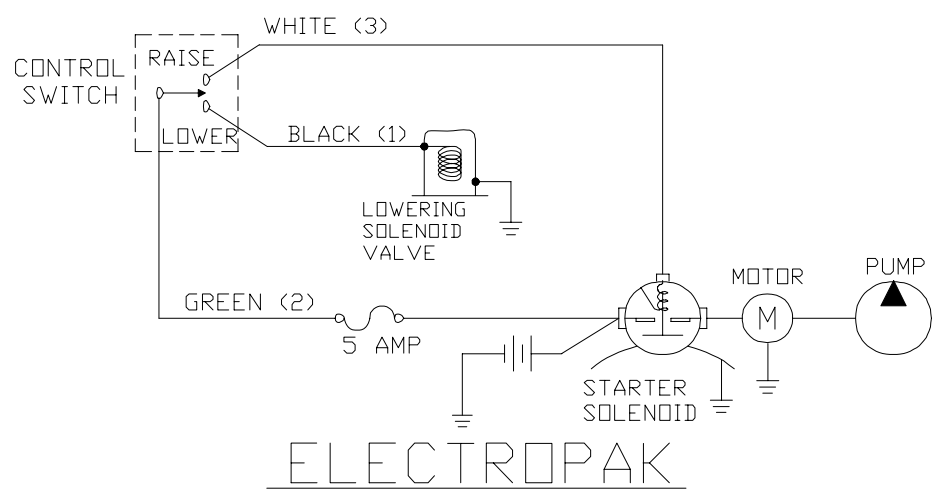
ITEM	PART NUMBER	QTY	DESCRIPTION
1	10099306 ^a	1	SuperSwitch™ (for curb side)
	10099300 ^b	1	SuperSwitch™ (for Dual Control Harness)
2	10099302 ^c	1	SuperSwitch™ (Hand Held Remote)
3	75082038	1	Trailer Socket
4	75082037	1	Trailer Plug
5	75089853	1	5 Amp Fuse
6	75089850	1	Fuse Holder
7	75082017 ^c	1	16-14 Ga. Female Slide-On Terminal
8	75082019 ^c	1	16-14 Ga. Male Slide-On Terminal
9	75082014 ^c	1	16-14 Ga. Male Bullet Connector
10	75082015 ^c	1	16-14 Ga. Female Bullet Connector

^a Included in SuperSwitch™ Kit 80000428.

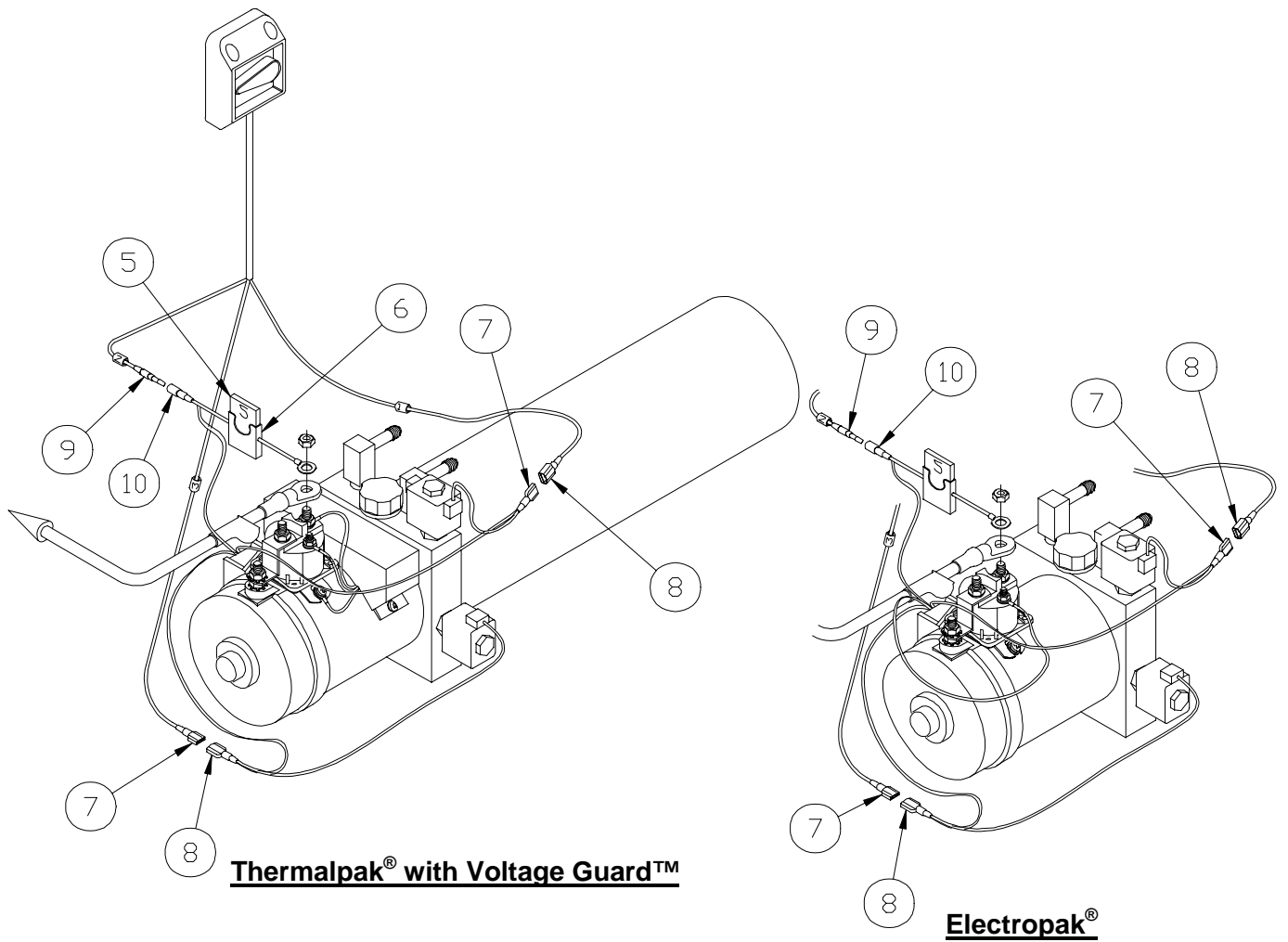
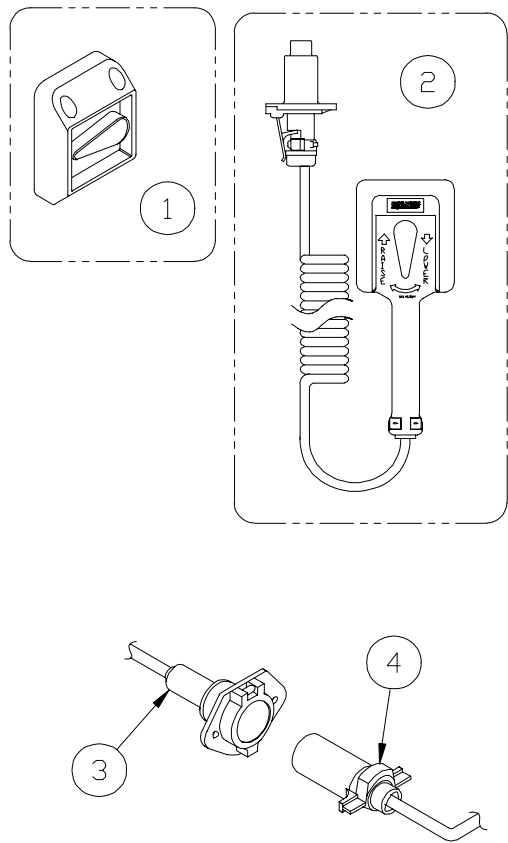
^b Included in SuperSwitch™ Dual Control Kit 80000429.

^c Included in SuperSwitch™ Hand Held Remote Kit 80000430.

WIRE No.	COLOR	FUNCTION
1	BLACK	LOWER (DOWN)
2	GREEN	HOT (POWER)
3	WHITE	RAISE (UP)



ELECTRIC CONTROL OPTIONS – Power Down



**WALTCO
TRUCK EQUIPMENT CO.**

REVISED: 12-1-03
E.O. 5221
REV. 01

PM-618

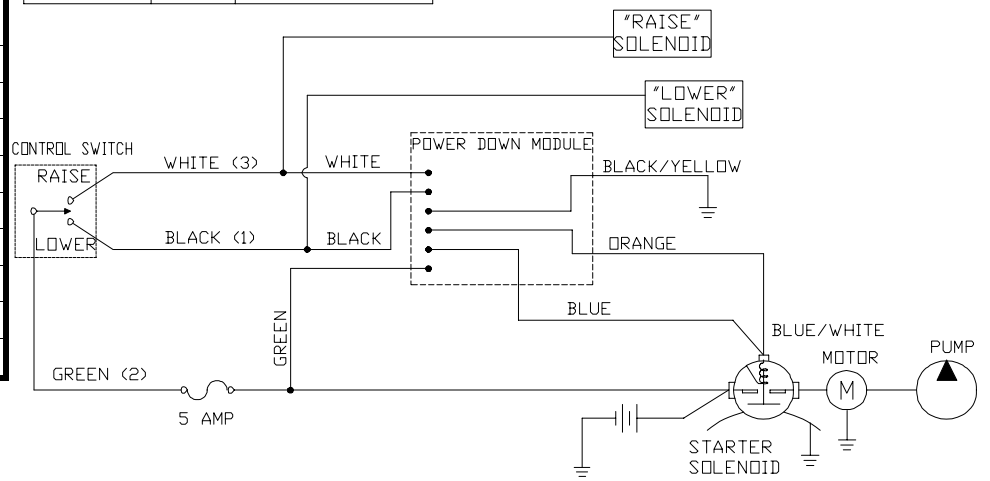
ITEM	PART NUMBER	QTY	DESCRIPTION
1	10099306 ^a	1	SuperSwitch™ (for curb side)
	10099300 ^b	1	SuperSwitch™ (for Dual Control Harness)
2	10099302 ^c	1	SuperSwitch™ (Hand Held Remote)
3	75082038	1	Trailer Socket
4	75082037	1	Trailer Plug
5	75089853	1	5 Amp Fuse
6	75089850	1	Fuse Holder
7	75082017 ^c	1	16-14 Ga. Female Slide-On Terminal
8	75082019 ^c	1	16-14 Ga. Male Slide-On Terminal
9	75082014 ^c	1	16-14 Ga. Male Bullet Connector
10	75082015 ^c	1	16-14 Ga. Female Bullet Connector

WIRE No.	COLOR	FUNCTION
1	BLACK	LOWER (DOWN)
2	GREEN	HOT (POWER)
3	WHITE	RAISE (UP)

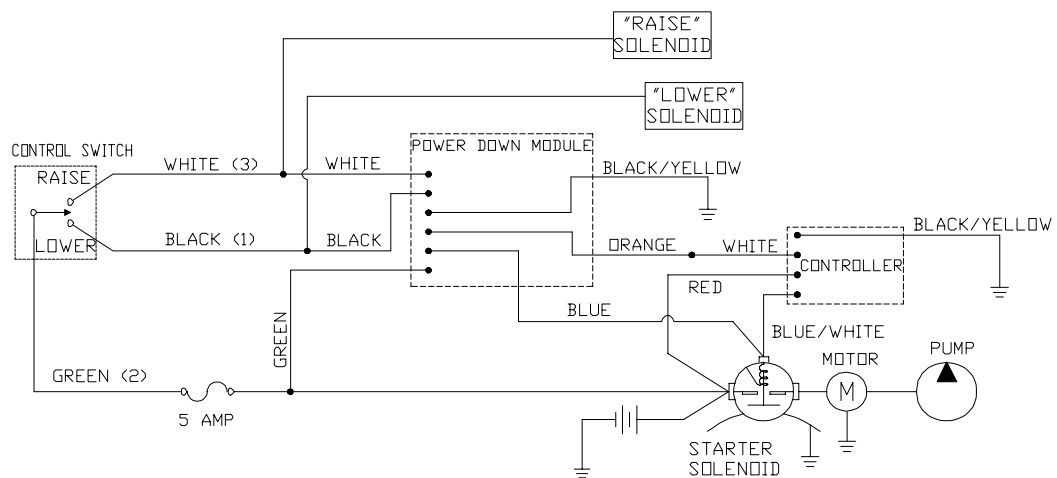
^a Included in SuperSwitch™ Kit 80000428.

^b Included in SuperSwitch™ Dual Control Kit 80000429.

^c Included in SuperSwitch™ Hand Held Remote Kit 80000430.



ELECTROPAK



THERMALPAK

F & F RM-SERIES PUMPS & CYLINDER Parts Drawings

If unsure of the correct pump or cylinder part number, [click here](#).

QUICK TIP:

Most pumps have a pump pressure decal on them that also includes the pump part number. This number will always be an 8-digit part number. If still unsure, please contact Waltco for assistance.

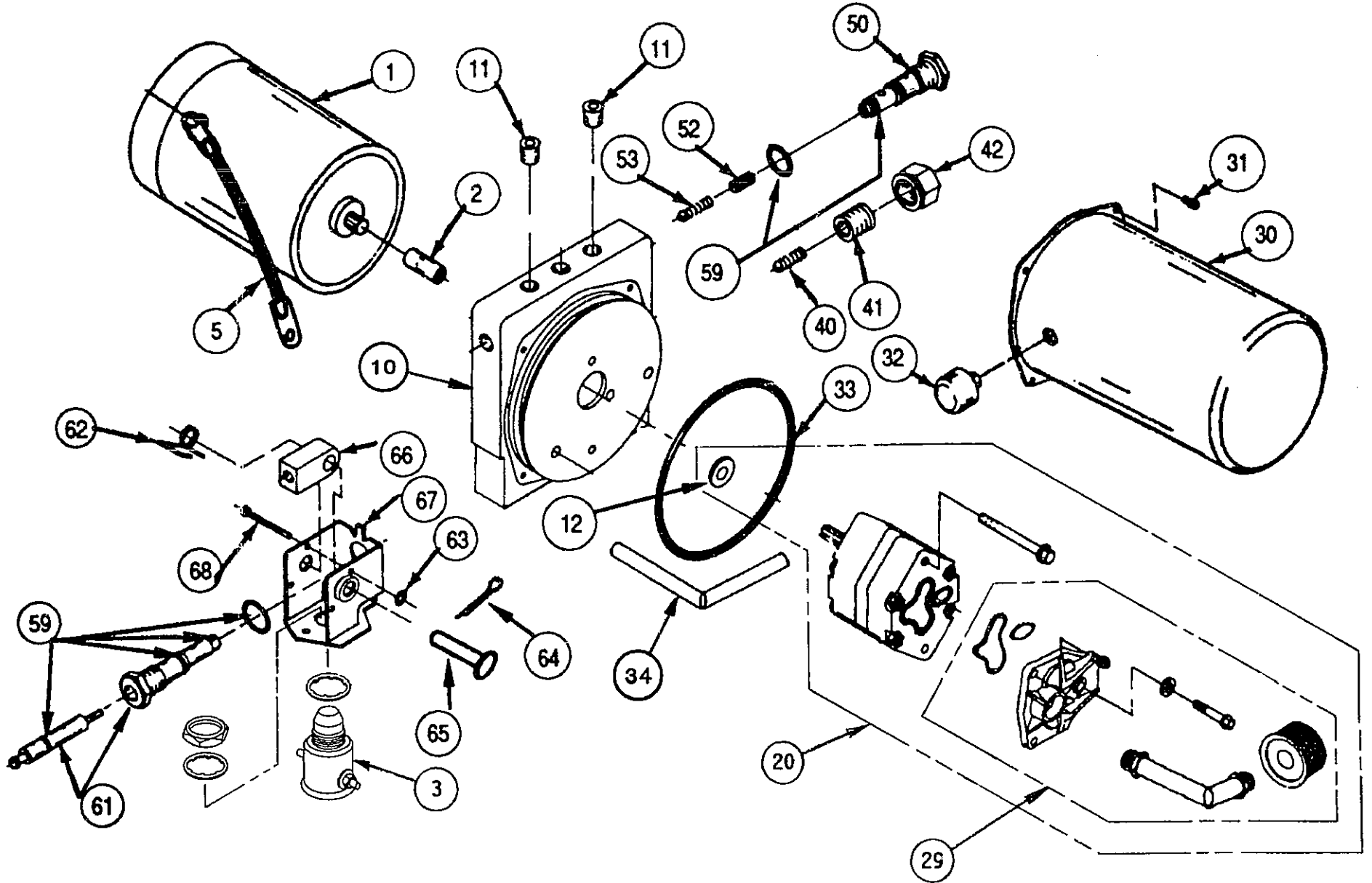
CYLINDERS

Part Number	Description	PM No.
20280050	Lift Cylinder	PM-211
20280010	Lift Cylinder	PM-263
20280020	Lift Cylinder	PM-264
20280090	Lift Cylinder	PM-585

HYDRAULIC PUMPS

Part Number	Description	Pump Mfr.	PM No.
22195000	Hydraulic Pump Assembly	Fenner	PM-110B
30195000	Hydraulic Pump Assembly	Fenner	PM-111B
20295000	Hydraulic Pump Assembly	Fenner	PM-247A
20495000	Hydraulic Pump Assembly	Fenner	PM-112B
35495000	Hydraulic Pump Assembly	Fenner	PM-108B
37495000	Hydraulic Pump Assembly	Fenner	PM-108B
70400000	Hydraulic Pump Assembly	Monarch	PM-352
70400025	Hydraulic Pump Assembly	Monarch	PM-354
70400150	Hydraulic Pump Assembly	Monarch	PM-462
70400850	Hydraulic Pump Assembly	Monarch	PM-462
70400700	Hydraulic Pump Assembly	Monarch	PM-510
70400725	Hydraulic Pump Assembly	Monarch	PM-511
70401400	Hydraulic Pump Assembly	Monarch	PM-555
70401450	Hydraulic Pump Assembly	Monarch	PM-558
70401425	Hydraulic Pump Assembly	Monarch	PM-556
70401475	Hydraulic Pump Assembly	Monarch	PM-559
70401700	Hydraulic Pump Assembly	Monarch	PM-555
70401750	Hydraulic Pump Assembly	Monarch	PM-558
70401725	Hydraulic Pump Assembly	Monarch	PM-556
70401775	Hydraulic Pump Assembly	Monarch	PM-559
70401900	Hydraulic Pump Assembly	Monarch	PM-555
70401950	Hydraulic Pump Assembly	Monarch	PM-558
70401925	Hydraulic Pump Assembly	Monarch	PM-556
70401975	Hydraulic Pump Assembly	Monarch	PM-559

Solenoid Operated Pump Unit



WALTCO
TRUCK EQUIPMENT CO.
22195000

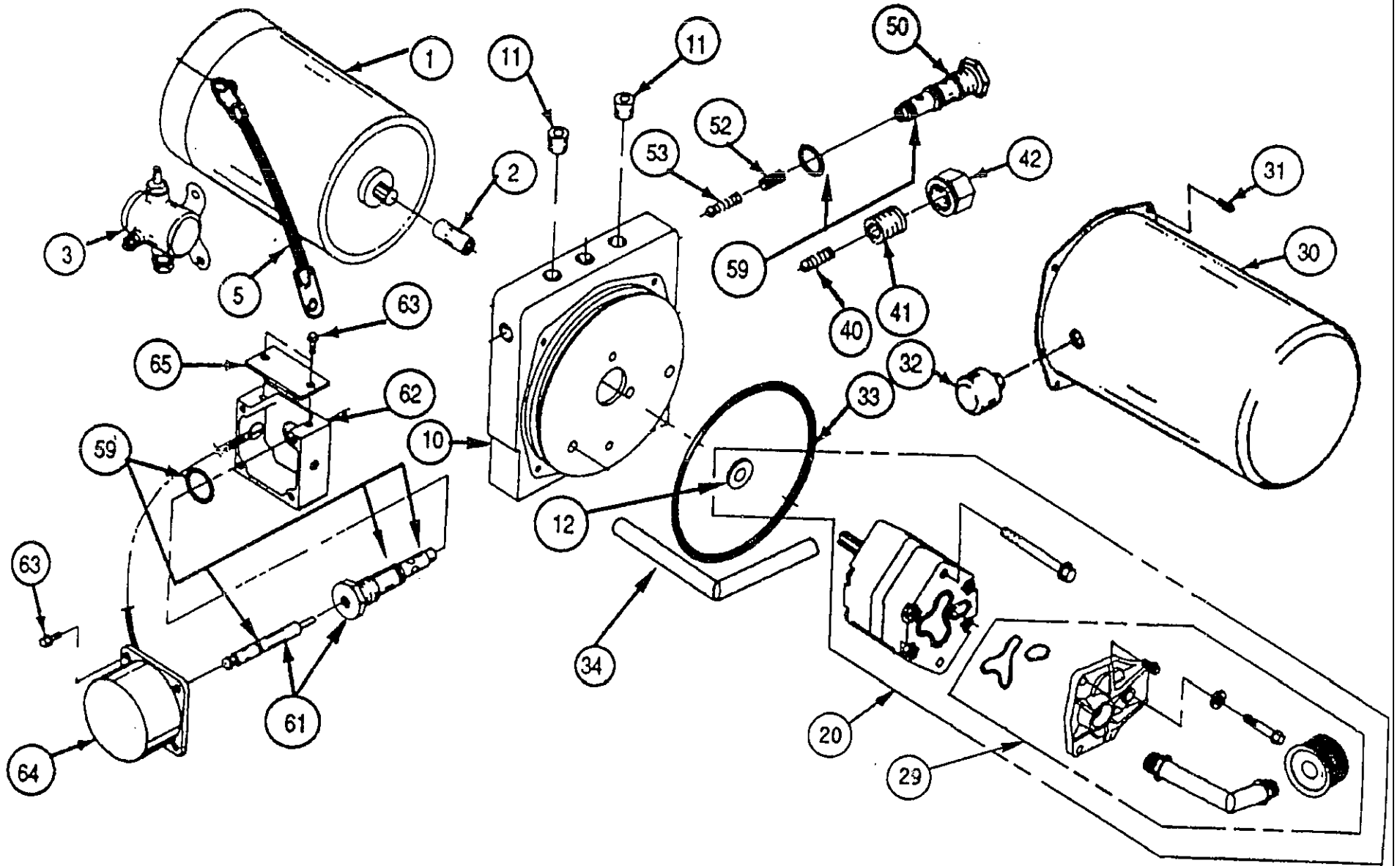
REVISED: 4-16-99
E.O. 3620
REV. 03

PM-110B

ITEM	PART NUMBER	QTY	DESCRIPTION
1	70392900	1	Motor
2	70091618	1	Coupling
3	80000692	1	Switch Kit
5	70091260	1	Terminal Cable Assembly
10	70091274	1	End Head
11	70091291	2	Plug
12	70091629	1	Shaft Seal
20	70091615	1	Pump Assembly Kit
29	70091758	1	Suction Cover Kit
30	70091262	1	Reservoir
31	70091285	4	Screw
32	70091270	1	Breather Cap
33	75000027	1	"O" Ring
34	70091493	1	Return Tube
40	70091249	1	Ball
	70091250	1	Spring
41	70091295	1	Adjustment Screw
42	70091294	1	Relief Cap Assembly
50	70091395	1	Check Cap Assembly
52	70091296	1	Spring Retainer
53	70091281	1	Spring & Ball Assembly
59			Valve Seal Kit
	75000025	1	"O" Ring
	75000026	2	"O" Ring
	75000036	2	"O" Ring
	70091297	2	Seal Ring
61	80000722	1	Release Cap Stem Assembly
62	70160009*	1	Spring
63	70091602*	1	Grip Ring
64	70091604*	1	Cotter Pin
65	70091603	1	Headed Pin
66	70091266*	1	Cam
67	70091277*	1	Mounting Bracket Assembly
68	70091601*	1	Headed Pin

* Items included in switch kit 70091279

Solenoid Operated Pump Unit



WALTCO
TRUCK EQUIPMENT CO.
 30195000, 33095001,
 33595001

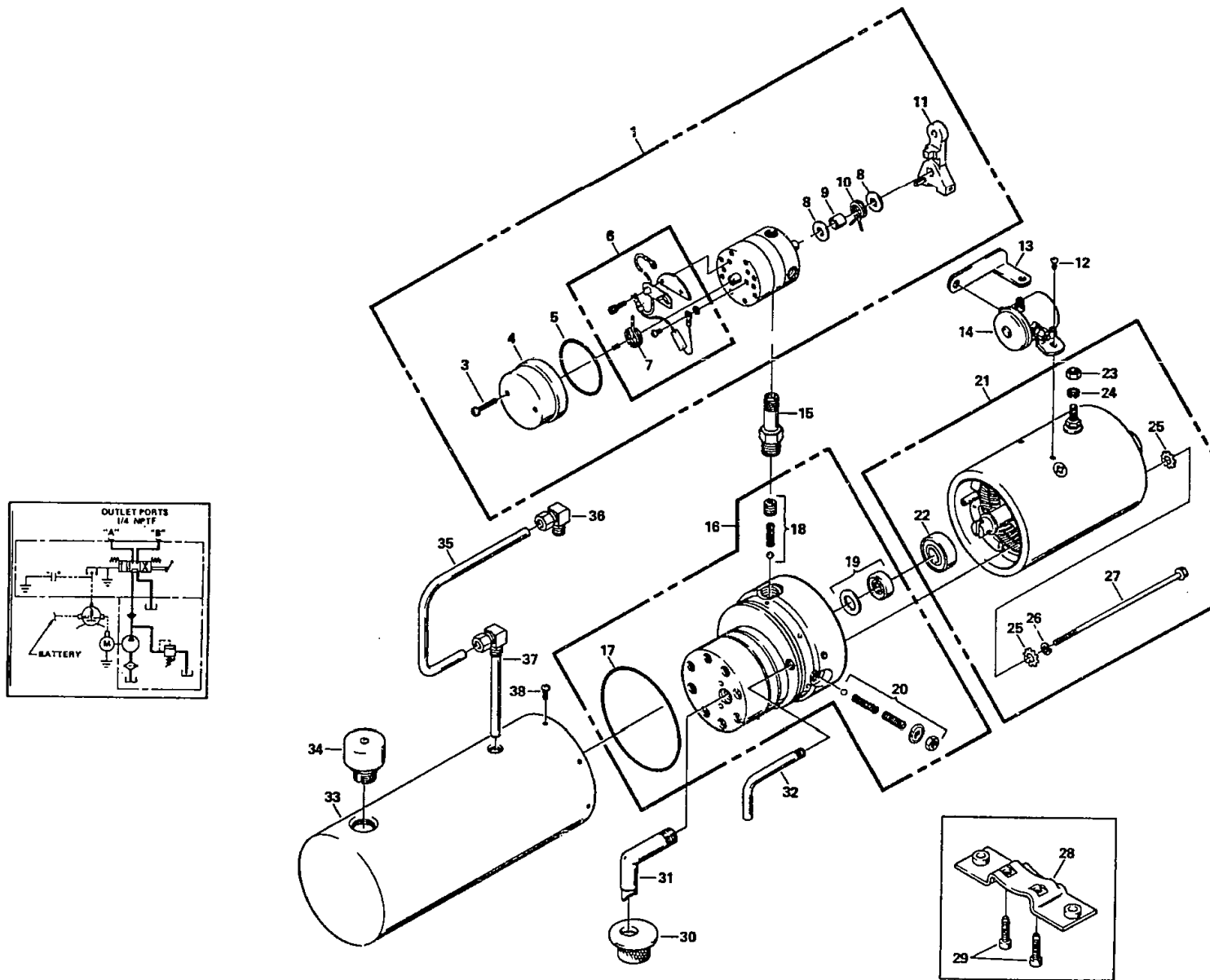
REVISED: 12/1/03
 E.O. 5221
 REV. 04

PM-111B

ITEM	PART NUMBER	QTY	DESCRIPTION
1	70392900	1	Motor
2	70091618	1	Coupling
3	75089822	1	Starter Solenoid
5	70091260	1	Terminal Cable Assembly
10	70091274	1	End Head
11	70091291	2	Plug
12	70091629	1	Shaft Seal
20	70091615	1	Pump Assembly Kit
29	70091758	1	Suction Cover Kit
30	70091262	1	Reservoir
31	70091265	4	Screw
32	70091270	1	Breather Cap
33	75000027	1	"O" Ring
34	70091493	1	Return Tube
40	70091249	1	Ball
	70091250	1	Spring
41	70091295	1	Check Cap Assembly
42	70091294	1	Relief Cap Assembly
50	70091395	1	Check Cap Assembly
52	70091696	1	Spring Retainer
53	70091281	1	Spring & Ball Assembly
59			Valve Seal Kit
	75000025	1	"O" Ring
	75000026	2	"O" Ring
	75000036	2	"O" Ring
	70091297*	2	Seal Ring
61	80000722	1	Release Cap Stem Assembly Kit
62	70091358*	1	Solenoid Bracket
63	70091352*	6	Screw
64	70091631	1	Solenoid
65	70091353*	1	Cover

* Items included in switch kit 70091679

20295000 MANUALLY OPERATED POWER UP AND DOWN PUMP UNIT



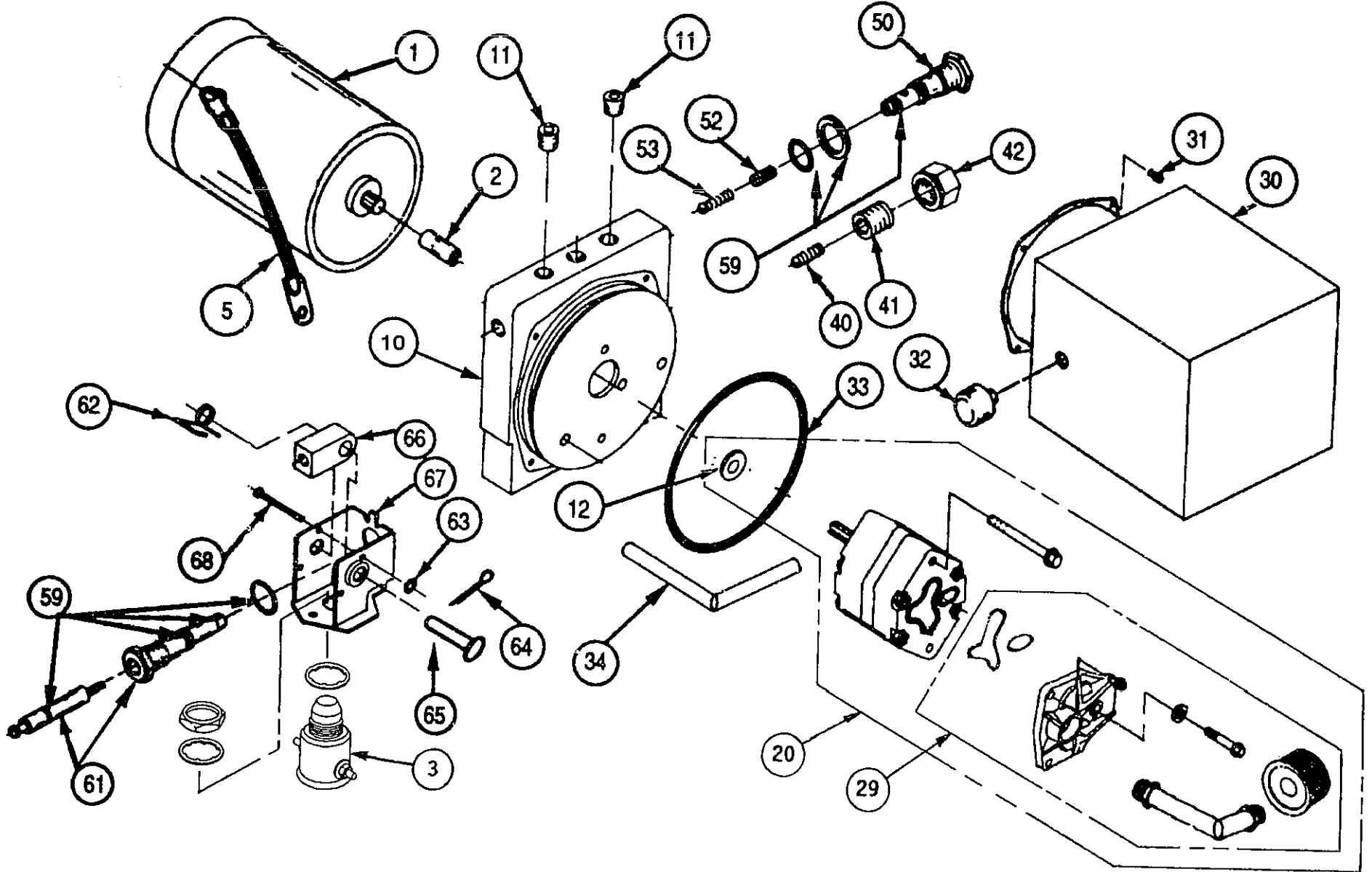
WALTCO
TRUCK EQUIPMENT CO.
20295000

REVISED: 3-92

PM-247A

ITEM	PART NUMBER	QTY	DESCRIPTION
1	70121000	1	Valve Assembly Complete
3	70091703	2	#10-24 x 1-1/8" Truss Screw
4	70091704	1	Cover (Condenser, Contact)
5	70091705	1	"O" Ring 2.3125 x 2.5 x .0937
6	70091706	1	Parts Kit (Electrical)
7	70091707	1	Contact Spring
8	70091708	2	5/16" Flat Washer
9	70091709	1	Bushing (Torsion Spring)
10	70091710	1	Torsion Spring
11	70091711	1	Handle Assembly
12	70091712	2	#10-32 x 1/4" Round Head Screw
13	70091713	1	Switch Mounting Bracket
14	70091714	1	Solenoid Switch
15	70091715	1	Adapter (Pump/Valve)
16	70091716	1	Pump Assembly
17	70091717	1	"O" Ring 3.625 x 3.875 x .125
18	70091718	1	Parts Kit (Check Valve, Main)
19	70091719	1	Seal & Gasket
20	70092355	1	Relief Valve
21	70091739	1	Motor Only
22	70091721	1	Bearing (Base, Motor)
23	70091722	1	5/16"-24 hex Nut
24	70091723	1	5/16" Lock Washer
25	70091724	4	1/4" Star Washer
26	70091725	2	1/4" Lock Washer
27	70091726	2	1/4"-20 x 6-1/2" Hex Screw
28	70092371	1	Bracket (Mount Plate)
29	70092357	2	5/16"-18 x 1-1/16" Screw
30	70091730	1	Filter
31	70091731	1	3/8" NPT 90° Tube
32	70091732	1	1/8" NPT Return Tube
33	70091733	1	Reservoir
34	70091734	1	Breather
35	70091735	1	Return Tube (Reservoir)
36	70091736	1	90° 3/8" x 1/4" NPT Elbow Assembly
37	70091737	1	90° Elbow Assembly
38	70091738	6	#10-24 x 3/8" Thread Forming Screw

Solenoid Operated Pump Unit



WALTCO
TRUCK EQUIPMENT CO.
20495000

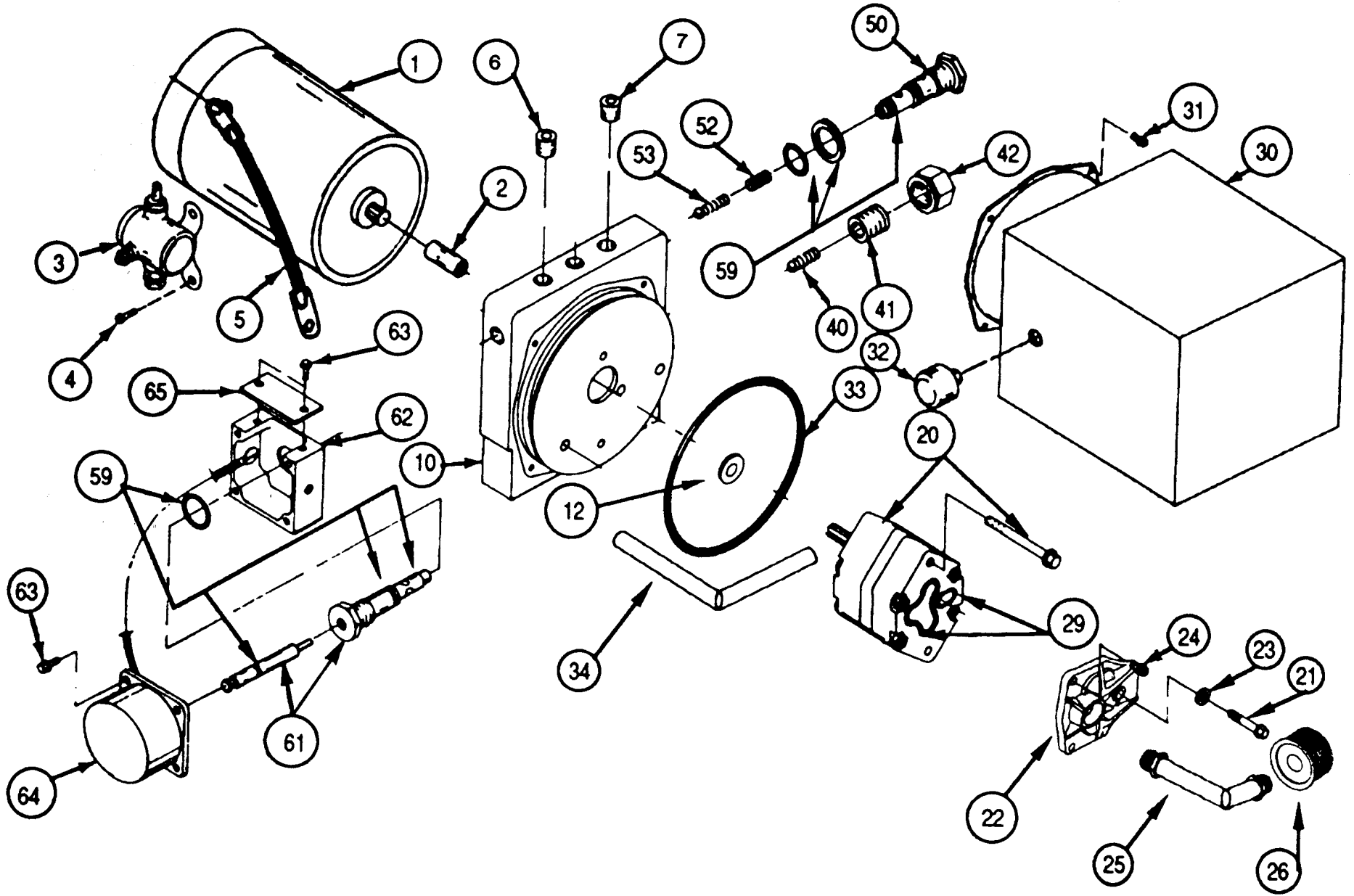
REVISED: 4-16-99
E.O. 3620
REV. 03

PM-112B

ITEM	PART NUMBER	QTY	DESCRIPTION
1	70392800	1	Motor
2	70091618	1	Coupling
3	80000692	1	Switch Kit
5	70091260	1	Terminal Cable Assembly
10	70091274	1	End Head
11	70091291	2	Plug
12	70091629	1	Shaft Seal
20	70091614	1	Pump Assembly Kit
29	70091759	1	Suction Cover Kit
30	70091462	1	Reservoir
31	70091265	4	Screw
32	70091270	1	Breather Cap
33	75000027	1	"O" Ring
34	70091493	1	Return Tube
40	70091249	1	Ball
	70091250	1	Spring
41	70091295	1	Adjustment Screw
42	70091294	1	Relief Cap Assembly
50	70091395	1	Check Cap Assembly
52	70091296	1	Spring Retainer
53	70091281	1	Spring & Ball Assembly
59			Valve Seal Kit
	75000025	1	"O" Ring
	75000026	2	"O" Ring
	75000036	2	"O" Ring
	70091297	2	Seal Ring
61	80000722	1	Release Cap Stem Assembly Kit
62	70160009*	1	Spring
63	70091602*	1	Grip Ring
64	70091604*	1	Cotter Pin
65	70091603	1	Headed Pin
66	70091266*	1	Cam
67	70091277*	1	Mounting Bracket Assembly
68	70091601*	1	Headed Pin

* Items included in switch kit 70091279

SOLENOID OPERATED PUMP UNIT



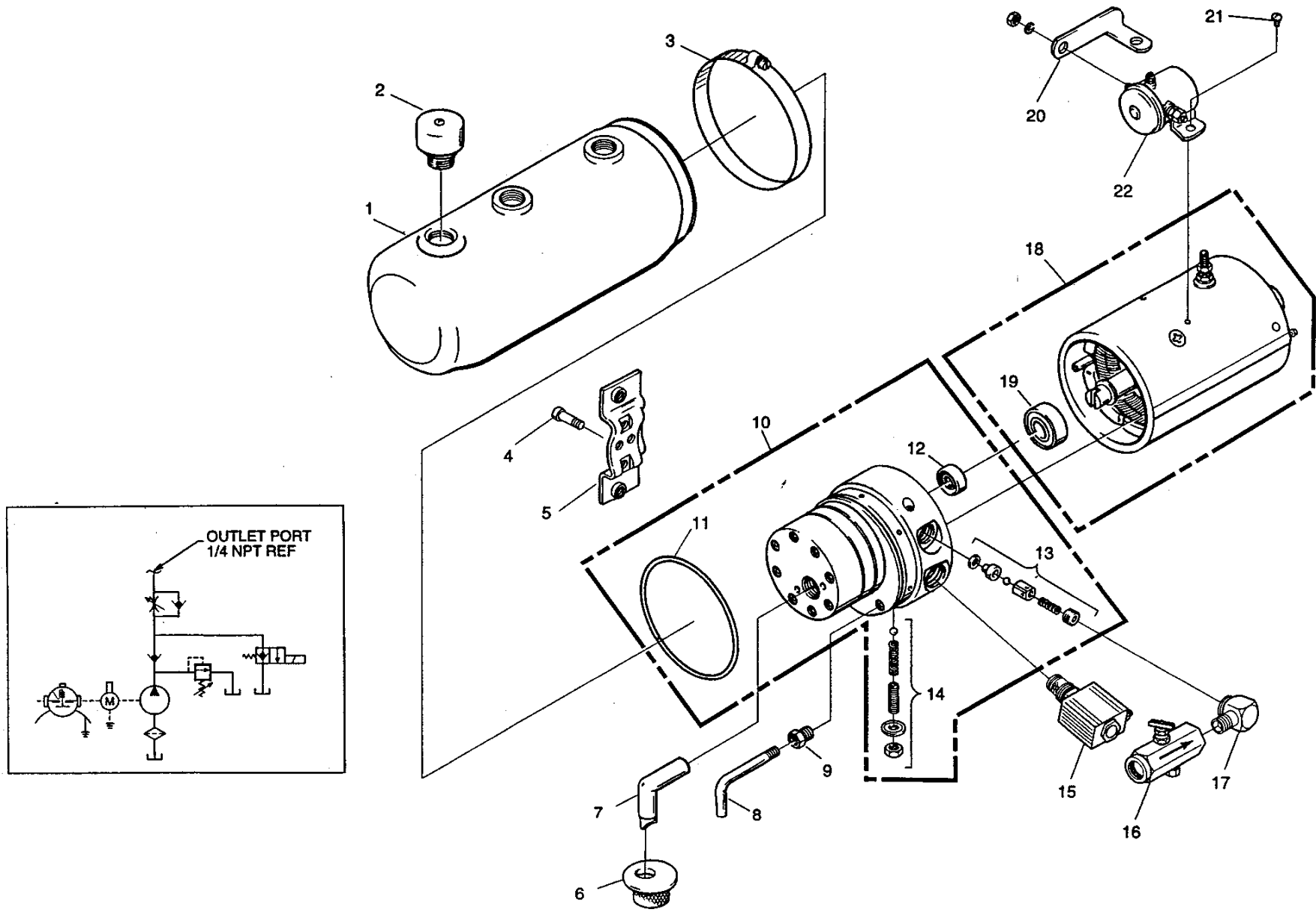
WALTCO
TRUCK EQUIPMENT CO.
35495000 / 37495000

REVISED: 4-16-99
E.O. 3620
REV. 03

PM-108B

ITEM	PART NUMBER	QTY	DESCRIPTION
1	70392800	1	Motor
2	70091618	1	Coupling
3	75089822	1	Starter Solenoid
5	70091260	1	Terminal Cable Assembly
6	70091291	1	Plug (Series I)
	75082908	1	Bushing (Series II)
7	70091291	1	Plug (Series I)
	75082903	1	Bushing (Series II)
10	70091274	1	End Head
12	70091629	1	Shaft Seal
20	70091614	1	Pump Assembly Kit
29	70091759	1	Suction Cover Kit
30	70091462	1	Reservoir
31	70091265	4	Screw
32	70091270	1	Breather Cap
33	75000027	1	O-Ring
34	70091493	1	Return Tube
40	70091249	1	Ball
	70091250	1	Spring
41	70091295	1	Adjustment Screw
42	70091294	1	Relief Cap Assembly
50	70091395	1	Check Cap Assembly
52	70091296	1	Spring Retainer
53	70091281	1	Spring & Ball Assembly
59			Valve Seal Kit
	75000025	1	O-Ring
	75000026	2	O-Ring
	75000036	2	O-Ring
	70091297	2	Seal Ring
61	70091685	1	Release Valve Assembly Complete
62	70091358	1	Solenoid Bracket
63	70091352	6	Screw
64	70091631	1	Solenoid
65	70091353	1	Cover

70400000 SOLENOID OPERATED



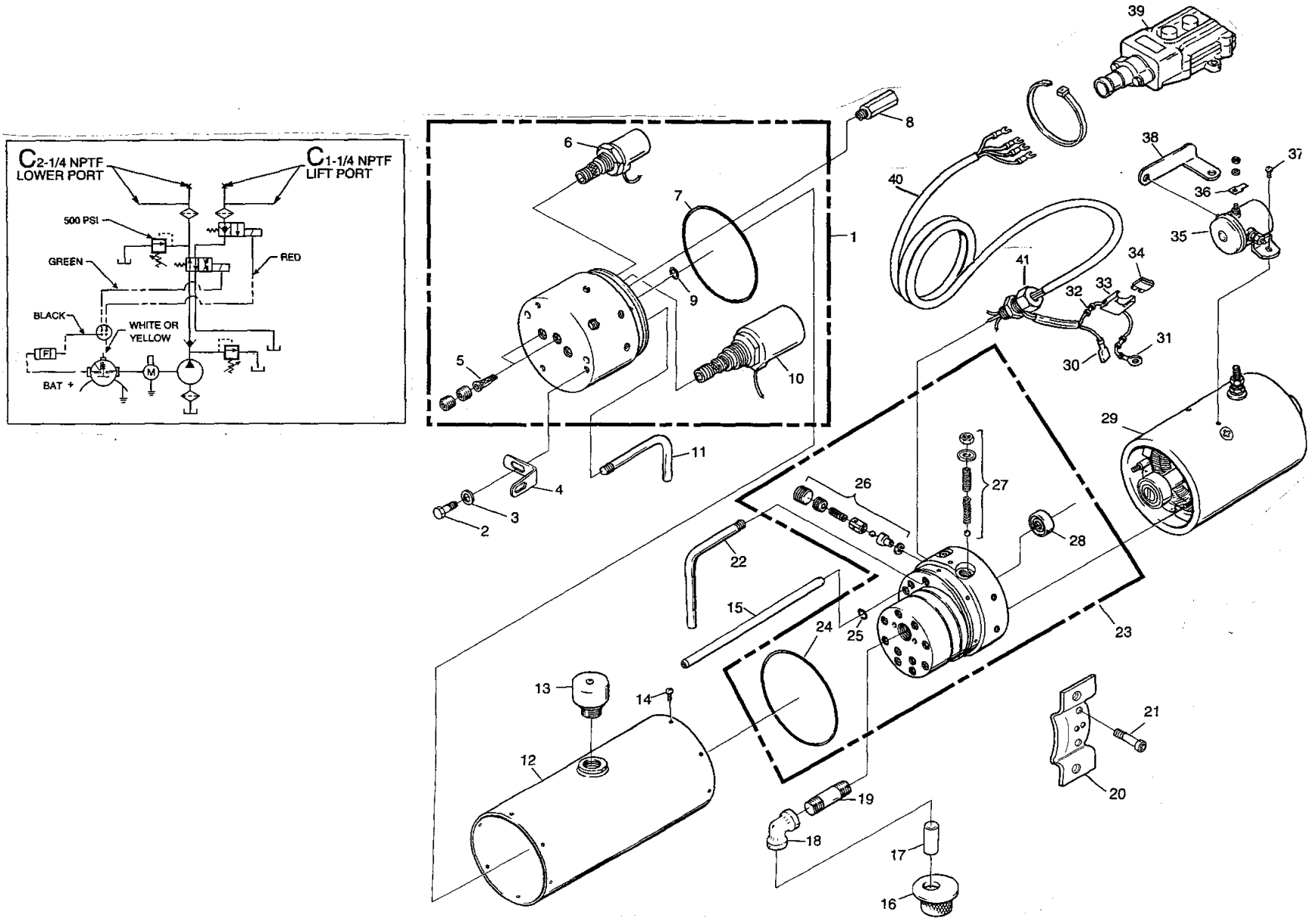
**WALTCO
TRUCK EQUIPMENT CO.
70400000**

REVISED: 12-20-96
E.O. 3027
REV. 02

PM-352

ITEM	PART NUMBER	QTY	DESCRIPTION
1	70400001	1	Reservoir, Plastic
2	70400004	1	Breather
3	70400002	1	Clamp
4	70092357	2	Screw
5	70400008	1	Bracket
6	70091730	1	Screen
7	70091731	1	Tube
8	70091732	1	Tube
9	70092504	1	Bushing
10	70400005	1	Pump Assembly Kit (includes items 11-14)
11	70091717	1	"O" Ring
12	70400006	1	Seal
13	70400007	1	Valve Assembly
14	70092355	1	Relief Valve Assembly
15	70400003	1	Valve
16	70189860	1	Valve
17	75082611	1	Elbow
18	70092312	1	Motor Kit (includes item 19)
19	70091721	1	Bearing
20	70091713	1	Strap
21	70091712	2	Screw
22	75089822	1	Solenoid

70400025 POWER DOWN



WALTCO
TRUCK EQUIPMENT CO.
70400025

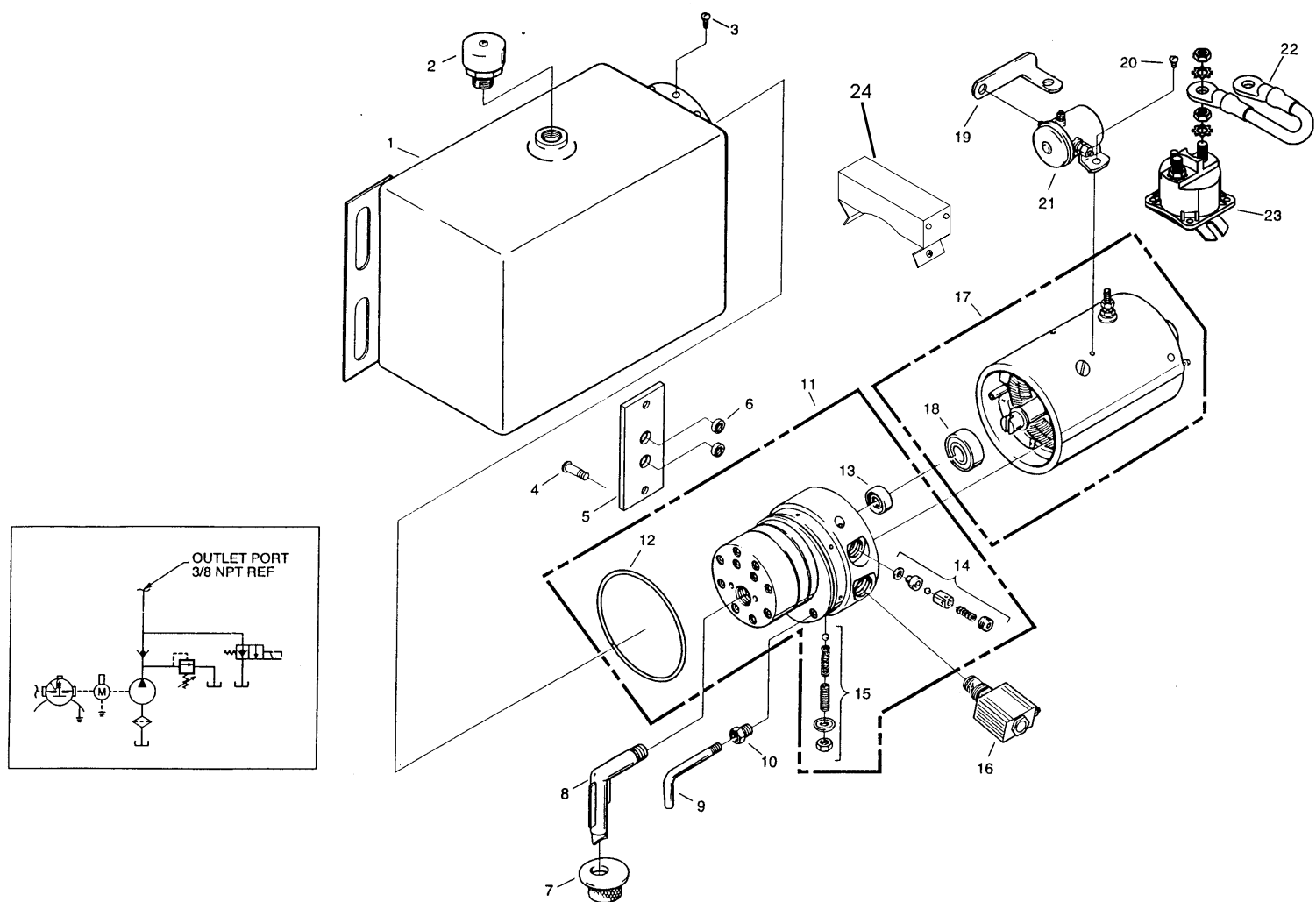
REVISED: 7-14-95

PM-354

ITEM	PART NUMBER	QTY	DESCRIPTION
1	70400048	1	Valve Assembly Kit (Includes items 5, 6, 7, 9, 10)
2	70400034	1	Screw
3	70400028	1	Washer
4	70400029	1	Bracket
5	70400030	2	Filter
6	70092418	1	Valve, 2 Way
7	70091717	1	"O" Ring
8	70400031	1	Relief Valve Assembly
9	70400032	1	"O" Ring
10	70400033	1	Valve, 4 Way
11	70091732	1	Tube
12	70400027	1	Reservoir
13	70400004	1	Breather
14	70091738	12	Screw
15	70400036	1	Tube
16	70091730	1	Screen
17	70400037	1	Tube
18	70400038	1	Elbow
19	70400039	1	Nipple
20	70400008	1	Bracket
21	70092357	2	Screw
22	70092328	1	Tube
23	70400041	1	Pump Assembly Kit (Includes items 24-28)
24	70091717	1	"O" Ring
25	70400042	1	"O" Ring
26	70400007	1	Valve Assembly
27	70092355	1	Relief Valve Assembly
28	70400006	1	Seal
29	70091739	1	Motor
30	70400043	1	Terminal
31	70400044	1	Terminal
32	70400045	1	Terminal
33	75089850	1	Housing
34	75089852	1	Fuse
35	75089822	1	Solenoid
36	70400035	1	Terminal
37	70091712	2	Screw
38	70091713	1	Strap

ITEM	PART NUMBER	QTY	DESCRIPTION
39	75089798	1	Control Box
40	70400046	1	Cord Assembly
41	70400047	1	Fitting Assembly

**70400150, 70400325, 70400350, 70400375 SOLENOID OPERATED
70400850 THERMALPAK SOLENOID OPERATED**



**WALTCO
TRUCK EQUIPMENT CO.
MONARCH PUMP**

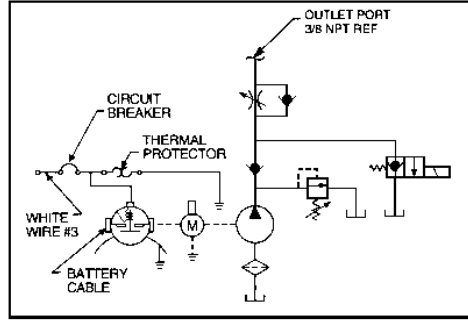
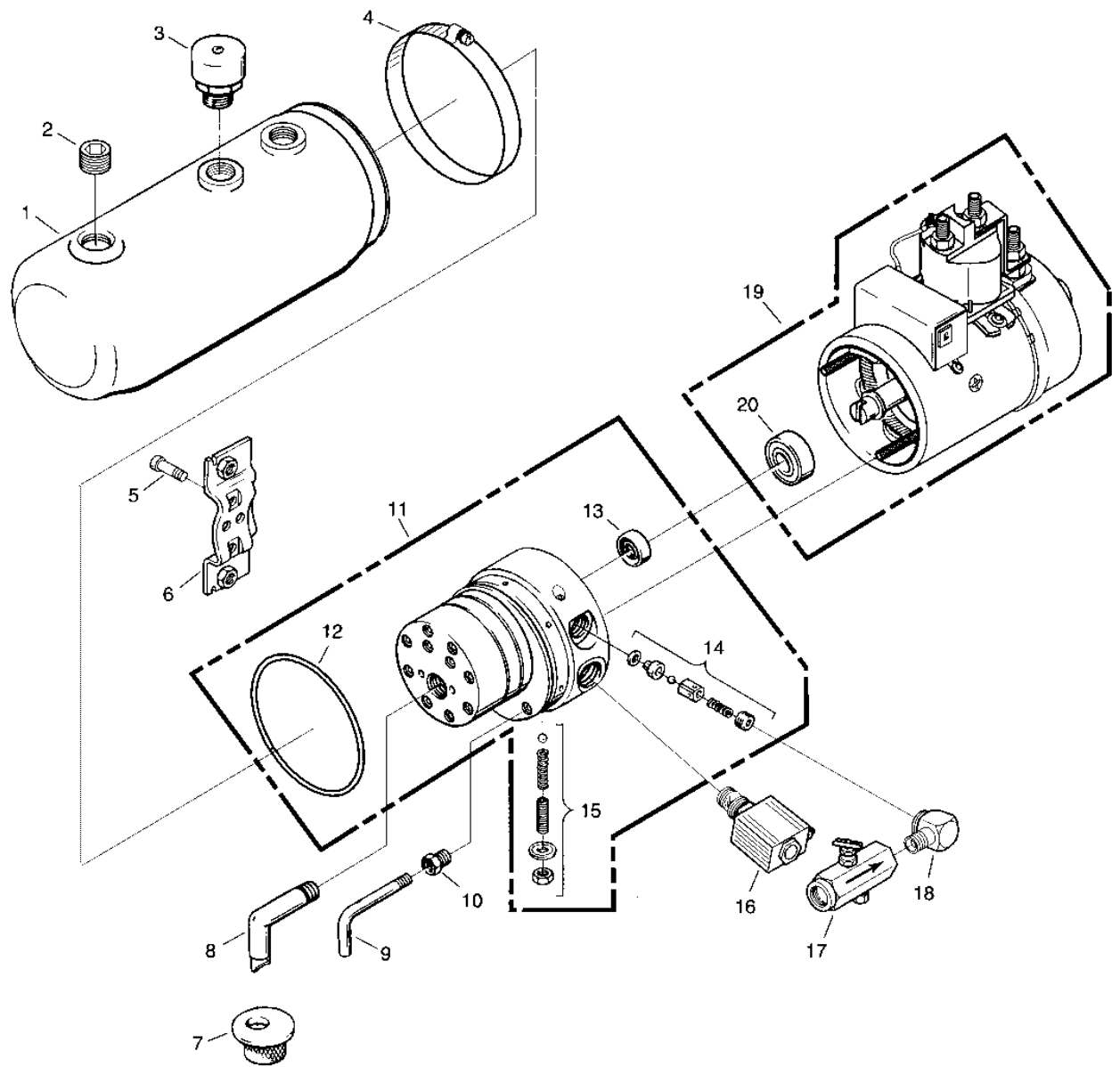
REVISED: 12-1-03
E.O. 5221
REV. 04

PM-462

ITEM	PART NUMBER	QTY	DESCRIPTION
1	70400176	1	Reservoir
2	70400004	1	Breather
3	70091738	6	Screw
4	70400482	2	3/8-16 x 1-1/4" Flat Head Cap Screw
5	70400481	1	Bracket
6	70091728	2	Spacer
7	70091730	1	Screen
8	70400476	1	Suction Tube
9	70091732	1	Return tube
10	70092504	1	Bushing, Reducer, 1/4" NPT to 1/8" NPT
11	70400426	1	Pump Assembly
12	70091717	1	O-Ring
13	70400006	1	Seal
14	70400007	1	Check Valve Assembly
15	70092355	1	Relief Valve
16	70400003	1	2-Way/2-Position Valve
17	70092312	1	Motor (70400150, 70400325, 70400350, 70400375)
	70400854	1	Motor w/ ThermalPak & Solenoid (Used on 70400850 only)
18	70091721	1	Bearing
19	70091713	1	*Strap
20	70091712	2	#10-32 x 1-1/4" Round Head Machine Screw
21	75089822	1	*Solenoid
22	70091778	1	*Cable
23	75089831	1	*Solenoid
24	10099403	1	Thermalpak Controller (Used on 70400850 only)

* 75089831 Solenoid replaces 75089822 Solenoid.
70091778 Cable replaces 70091713 Strap.

70400700 GRAVITY DOWN THERMALPAK®



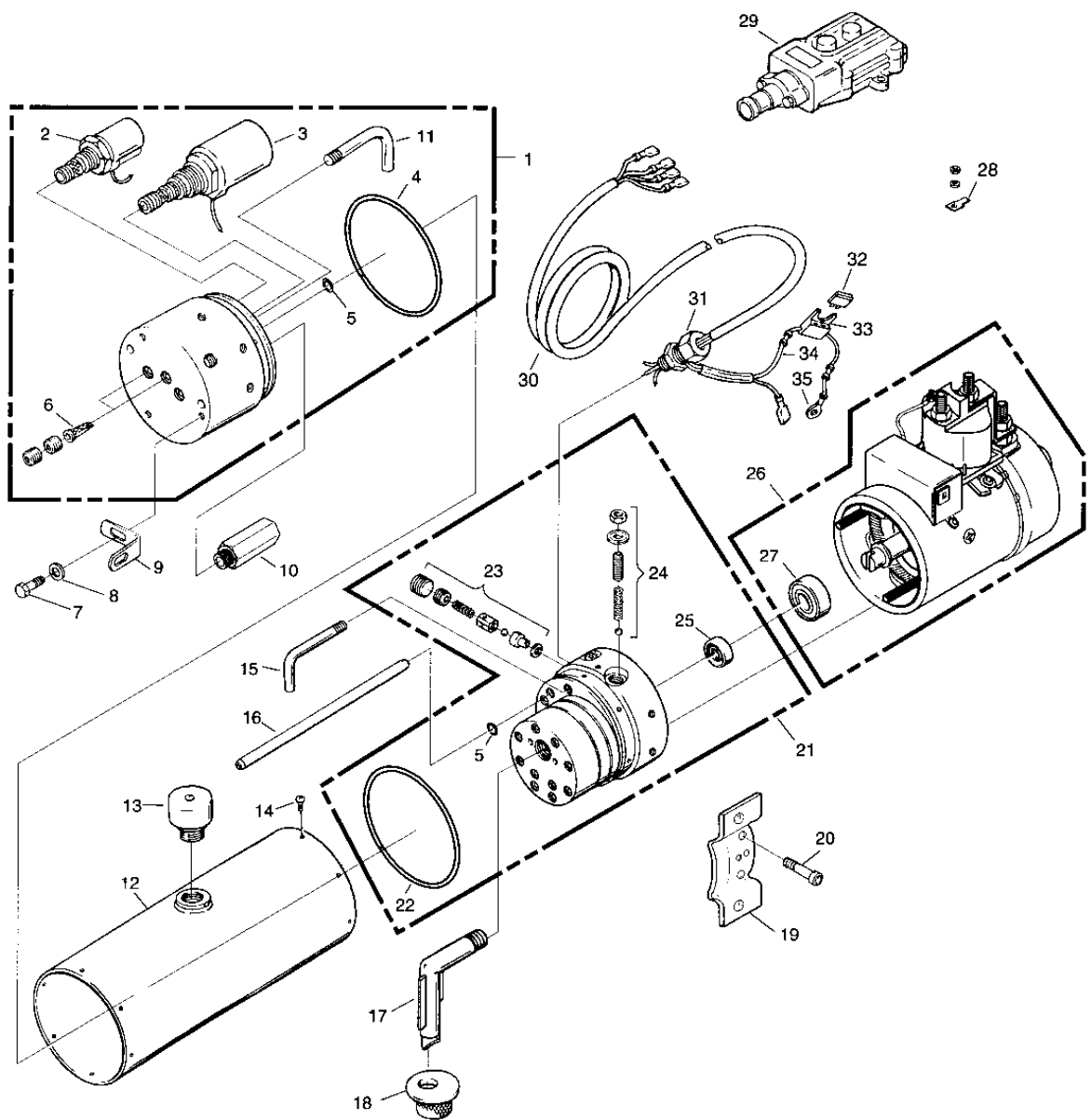
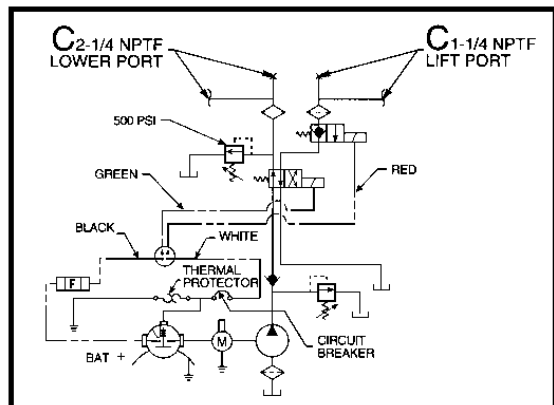
**WALTCO
TRUCK EQUIPMENT CO.**

REVISED: 10-08-99
E.O. 3659
REV. 01

PM-510

ITEM	PART NUMBER	QTY	DESCRIPTION
1	70400010	1	Reservoir
2	70091291	1	Plug
3	70400004	1	Plug, Vent
4	70400002	1	Clamp
5	70400011	2	Screw, 3/8-16 x 1", Flat Head Cap
6	70400008	1	Bracket, Plate Mount
7	70091730	1	Screen, Filter (Suction)
8	70091731	1	Tube, Filter suction
9	70091732	1	Tube, Return
10	70092504	1	Bushing
11	70400005	1	Pump Assembly
12	70091717	1	O-ring
13	70400006	1	Seal
14	70400007	1	Valve Assembly
15	70092355	1	Relief Valve Assembly
16	70400003	1	Valve
17	70189860	1	Valve, Adjustable Flow Control
18	70400009	1	Elbow, 90°
19	70400851	1	Motor Kit (includes Item 20)
20	70091721	1	Bearing

70400725 POWER DOWN THERMALPAK®



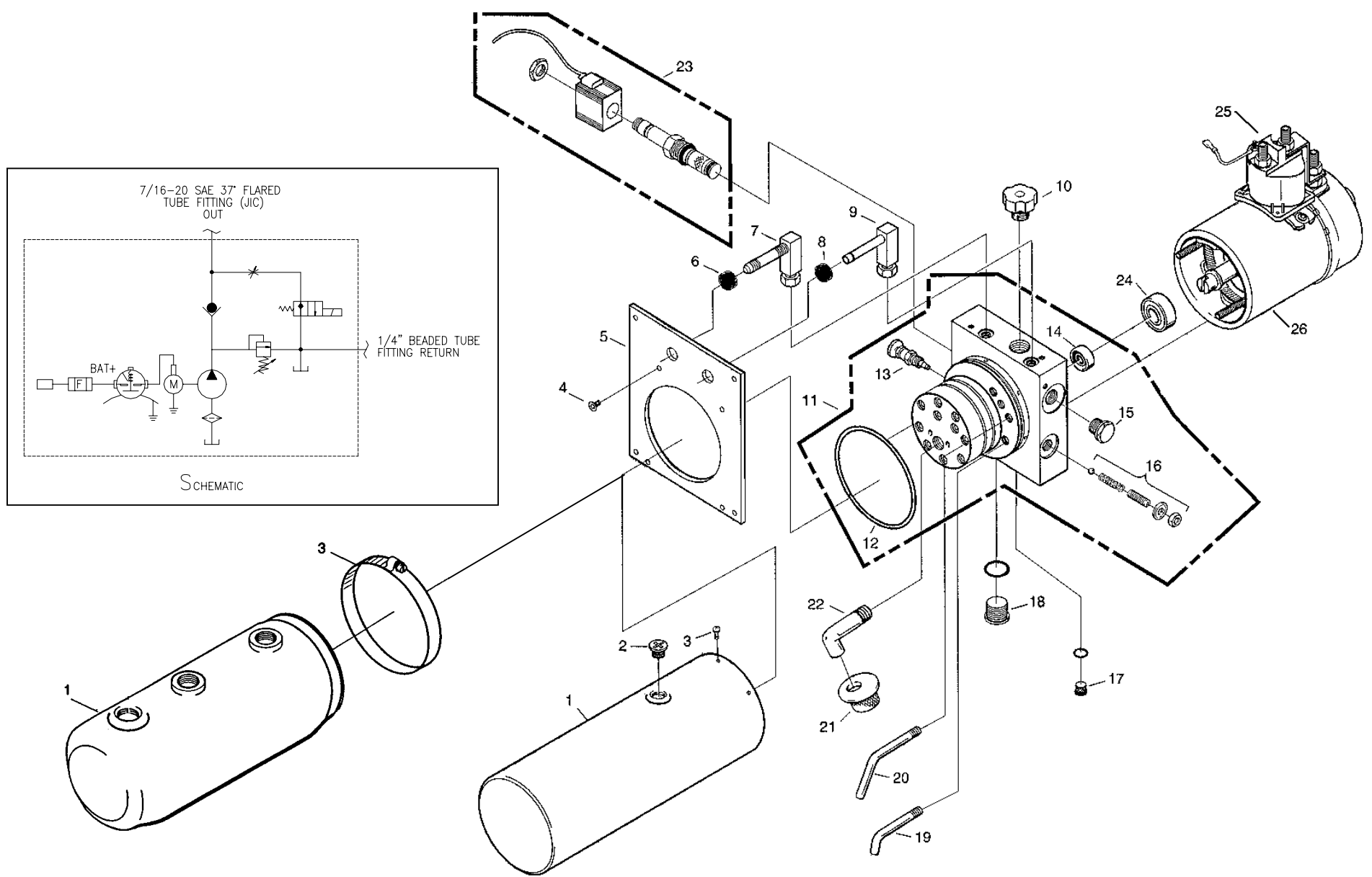
**WALTCO
TRUCK EQUIPMENT CO.**

REVISED: 10-08-99
E.O. 3659
REV. 01

PM-511

ITEM	PART NUMBER	QTY	DESCRIPTION
1	70400048	1	Valve Assembly Kit (Includes Items 2, 3, 4, 5, 6, 11)
2	70092418	1	Valve, 2 Way
3	70400033	1	Valve, 4 Way
4	70091717	1	O-Ring
5	70400032	2	O-Ring
6	70400030	2	Filter
7	70400034	1	Screw, 5/16-18 x 5/8" Hex Head Cap
8	70400028	1	Washer, 5/16" Flat
9	70400029	1	Bracket, Angle Mounting
10	70400012	1	Relief Valve Assembly
11	70091732	1	Tube, Return
12	70400027	1	Reservoir
13	70400004	1	Plug, Vent
14	70091738	12	Screw, Self-tapping
15	70092328	1	Tube, Return
16	70400036	1	Tube, Pressure
17	70400476	1	Tube, Suction
18	70091730	1	Screen, Filter (Suction)
19	70400008	1	Bracket, Plate Mount
20	70400011	2	Screw, 3/8-16 x 1"
21	70400041	1	Pump Assembly
22	70091717	1	O-Ring
23	20400007	1	Valve Assembly
24	70092355	1	Relief Valve Assembly
25	70400006	1	Seal
26	70400851	1	Motor Assembly (Includes Item 27)
27	70091721	1	Bearing
28	70400035	1	Terminal 1/4" Slip On
29	75089798	1	Control Box
30	70400046	1	Cord
31	70400047	1	Strain Relief
32	75089853	1	Fuse
33	75089850	1	Fuse holder
34	70400045	1	Terminal
35	70400044	1	Terminal

70401400, 70401700, 70401900 GRAVITY DOWN ELECTROPAK®



WALTCO
TRUCK EQUIPMENT CO.
F, C, E, EZL

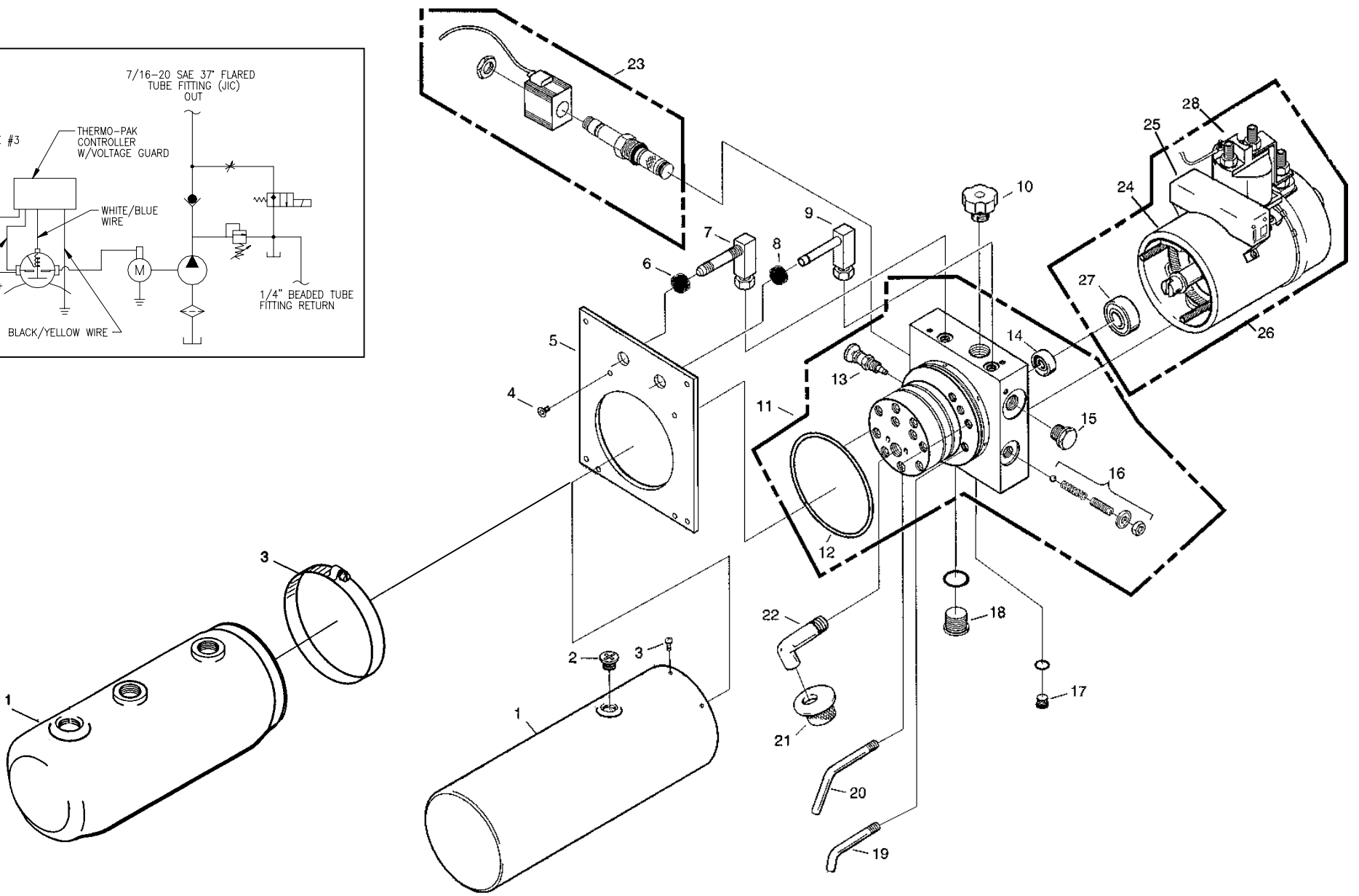
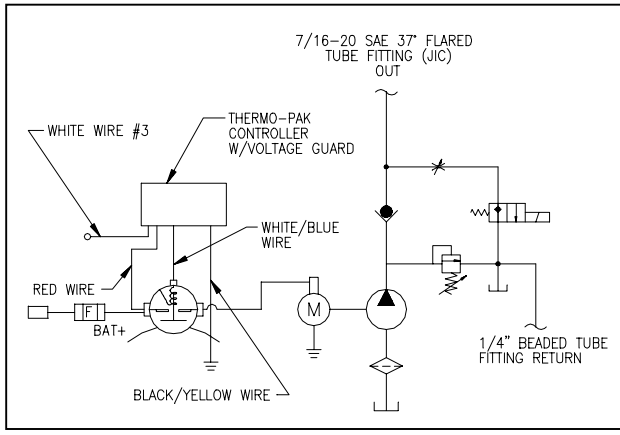
REVISED: 4-30-04
 E.O. 5140
 REV. 03

PM-555

ITEM	PART NUMBER	QTY	DESCRIPTION
1	70401456 ^B	1	Reservoir (Metal)
	70400001 ^C	1	Reservoir (Plastic)
2	70400055	1	Breather Plug
3	70091738 ^B	6	Screw, 10-24 x 3/8" lg. (For Metal Reservoir)
	70400002 ^C	1	Clamp (For Plastic Reservoir)
4	75086000 ^A	4	Screw, socket flat head cap, 1/4-20
5	70401407 ^A	1	Plate
6	70401408	1	Grommet
7	70401435	1	Fitting, male 7/16" SAE 37° Flare
8	70401409	1	Grommet
9	70401430	1	Fitting, barbed
10	70091734	1	Breather
11	70401410	1	Pump Assembly
12	70091717	1	O-ring
13	70401411	1	Flow Control Valve
14	70400006	1	Seal
15	70401412	1	Sight Glass
16	70401413	1	Relief Valve
17	70401415	1	Drain Plug
18	70401414	1	Plug, Check valve
19	70401406	1	Return Tube
20	70401405	1	Return Tube
21	70091730	1	Filter
22	70091731	1	Suction Tube
23	70401476	1	Valve, 2-way/2pos
24	70091721	1	Bearing
25	75089831	1	Starter Solenoid
26	70092312	1	Motor

^A Used on 70401400 only.
^B Used on 70401400 and 70401700 only.
^C Used on 70401900 only.

70401450, 70401750, 70401950 GRAVITY DOWN THERMALPAK® WITH VOLTAGE GUARD™



WALTCO
TRUCK EQUIPMENT CO.
 F, C, E, EZL

REVISED: 4-30-04
 E.O. 5140
 REV. 03

PM-558

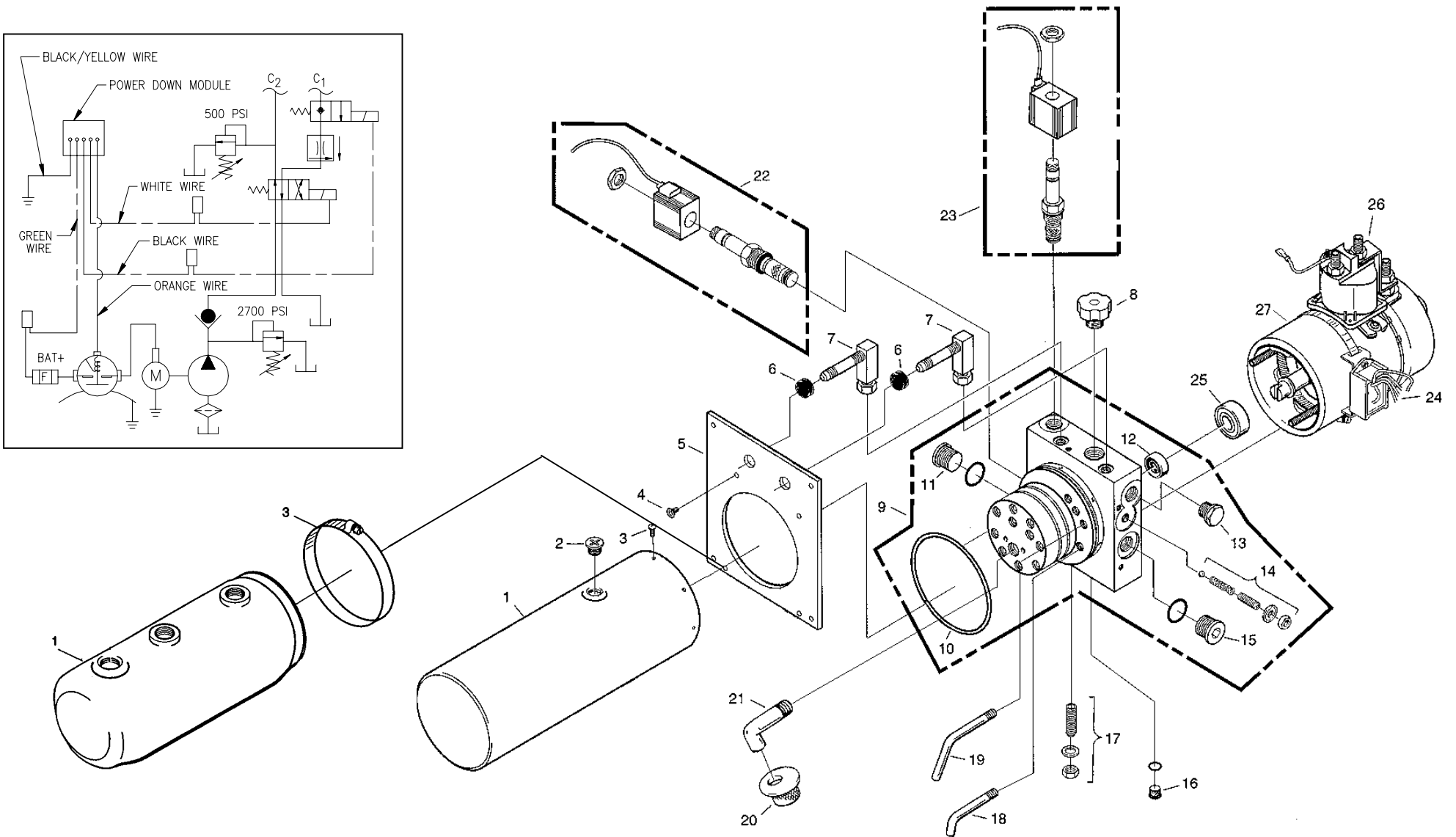
ITEM	PART NUMBER	QTY	DESCRIPTION
1	70401456 ^B	1	Reservoir (Metal)
	70400001 ^C	1	Reservoir (Plastic)
2	70400055	1	Breather Plug
3	70091738 ^B	6	Screw, 10-24 x 3/8" lg. (For Metal Reservoir)
	70400002 ^C	1	Clamp (For Plastic Reservoir)
4	75086000 ^A	4	Screw, socket flat head cap, 1/4-20
5	70401407 ^A	1	Plate
6	70401408	1	Grommet
7	70401435	1	Fitting, male 7/16" SAE 37° Flare
8	70401409	1	Grommet
9	70401430	1	Fitting, barbed
10	70091734	1	Breather
11	70401410	1	Pump Assembly
12	70091717	1	O-ring
13	70401411	1	Flow Control Valve
14	70400006	1	Seal
15	70401412	1	Sight Glass
16	70401413	1	Relief Valve
17	70401415	1	Drain Plug
18	70401414	1	Plug, Check valve
19	70401406	1	Return Tube
20	70401405	1	Return Tube
21	70091730	1	Filter
22	70091731	1	Suction Tube
23	70401476	1	Valve, 2-way/2pos
24	70092312	1	Motor
25	10099300	1	Thermalpak® with Voltage Guard™
26	70400854	1	Motor/Solenoid/Controller
27	70091721	1	Bearing
28	75089831	1	Starter Solenoid

^A Used on 70401450 only.

^B Used on 70401450 and 70401750 only.

^C Used on 70401950 only.

70401425, 70401725, 70401925 POWER DOWN ELECTROPAK®



WALTCO
TRUCK EQUIPMENT CO.
 F, C, E, EZL

REVISED: 4-30-04
 E.O. 5140
 REV. 03

PM-556

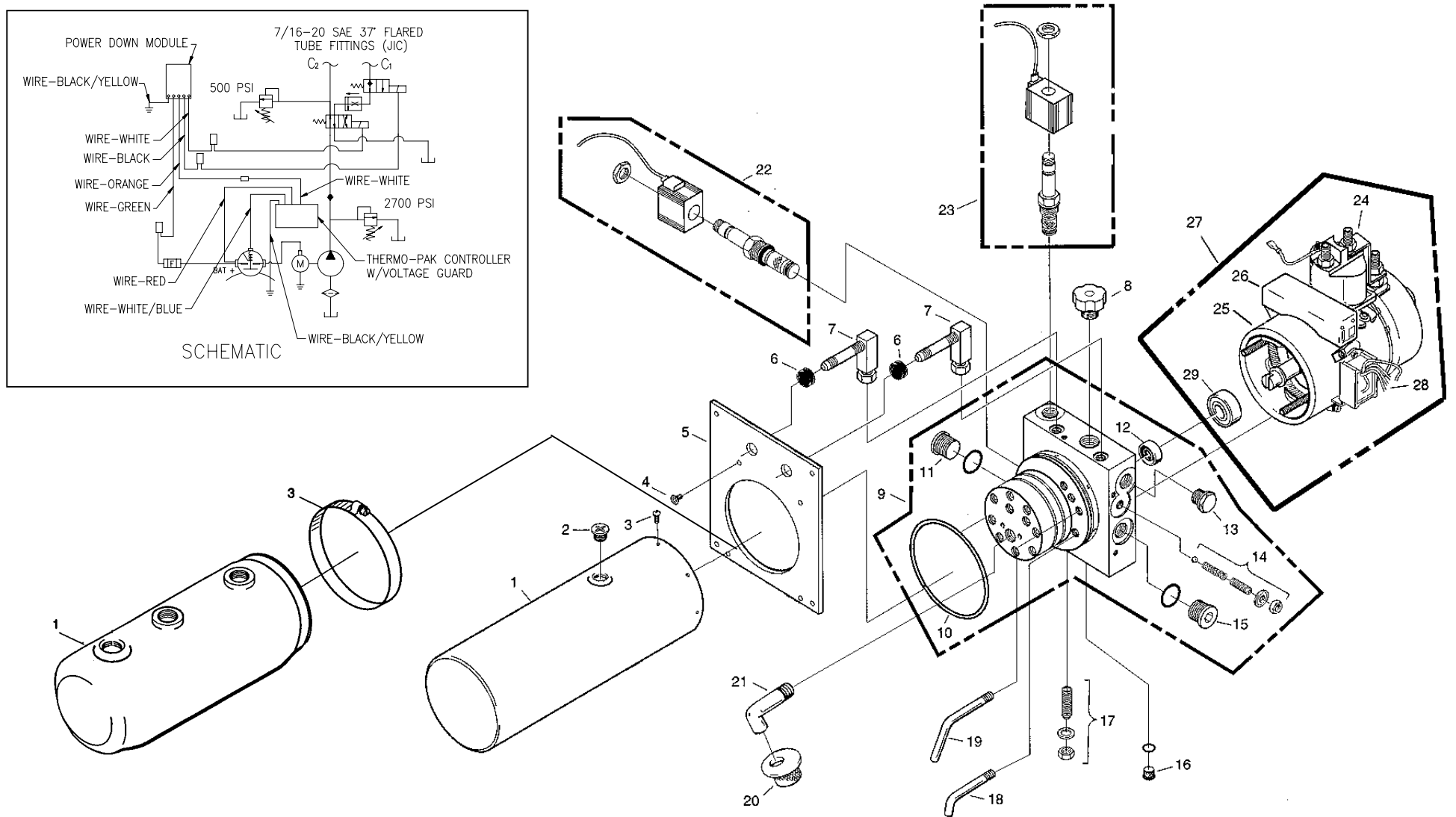
ITEM	PART NUMBER	QTY	DESCRIPTION
1	70401456 ^B	1	Reservoir (Metal)
	70400001 ^C	1	Reservoir (Plastic)
2	70400055	1	Breather Plug
3	70091738 ^B	6	Screw, 10-24 x 3/8" lg. (For Metal Reservoir)
	70400002 ^C	1	Clamp (For Plastic Reservoir)
4	75086000 ^A	4	Screw, socket flat head cap, 1/4-20
5	70401407 ^A	1	Plate
6	70401408	1	Grommet
7	70401435	1	Fitting, male 7/16" SAE 37° Flare
8	70091734	1	Breather
9	70401419	1	Pump Assembly
10	70091717	1	O-ring
11	70401414	1	Plug, Check valve
12	70400006	1	Seal
13	70401412	1	Sight Glass
14	70401413	1	Relief Valve
15	70092400	1	Plug
16	70401415	1	Drain Plug
17	70401413	1	Relief Valve
18	70401406	1	Return Tube
19	70401405	1	Return Tube
20	70091730	1	Filter
21	70091731	1	Suction Tube
22	70401477	1	Valve, 4-way/2pos
23	70401476	1	Valve, 2-way/2pos
24	10099303	1	Power Down Module
25	70091721	1	Bearing
26	75089831	1	Starter Solenoid
27	70092312	1	Motor

^A Used on 70401425 only.

^B Used on 70401425 and 70401725 only.

^C Used on 70401925 only.

70401475, 70401775, 70401975 POWER DOWN THERMALPAK® WITH VOLTAGE GUARD™



WALTCO
TRUCK EQUIPMENT CO.
F, C, E, EZL

REVISED: 4-30-04
 E.O. 5140
 REV. 03

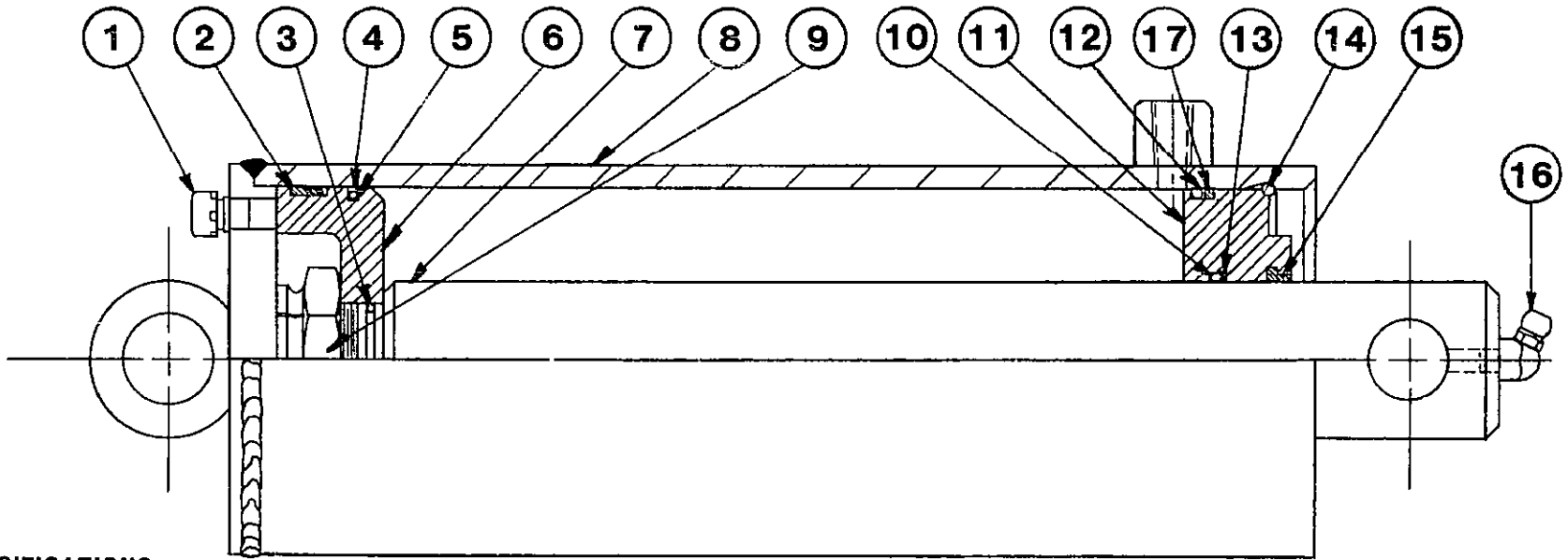
PM-559

ITEM	PART NUMBER	QTY	DESCRIPTION
1	70401456 ^B	1	Reservoir (Metal)
	70400001 ^C	1	Reservoir (Plastic)
2	70400055	1	Breather Plug
3	70091738 ^B	6	Screw, 10-24 x 3/8" lg. (For Metal Reservoir)
	70400002 ^C	1	Clamp (For Plastic Reservoir)
4	75086000 ^A	4	Screw, socket flat head cap, 1/4-20
5	70401407 ^A	1	Plate
6	70401408	1	Grommet
7	70401435	1	Fitting, male 7/16" SAE 37° Flare
8	70091734	1	Breather
9	70401419	1	Pump Assembly
10	70091717	1	O-ring
11	70401414	1	Plug, Check valve
12	70400006	1	Seal
13	70401412	1	Sight Glass
14	70401413	1	Relief Valve
15	70092400	1	Plug
16	70401415	1	Drain Plug
17	70401413	1	Relief Valve
18	70401406	1	Return Tube
19	70401405	1	Return Tube
20	70091730	1	Filter
21	70091731	1	Suction Tube
22	70401477	1	Valve, 4-way/2pos
23	70401476	1	Valve, 2-way/2pos
24	75089831	1	Starter Solenoid
25	70092312	1	Motor
26	10099300	1	Thermalpak® with Voltage Guard™
27	70400855	1	Motor/Solenoid/PD module/Controller
28	10099303	1	Power Down Module
29	70091721	1	Bearing

^A Used on 70401475 only.

^B Used on 70401475 and 70401775 only.

^C Used on 70401975 only.



SPECIFICATIONS
 RETRACTED 14.125
 EXTENDED 23.25
 BARREL O.D. 4.50

F-20800-50

**WALTCO
 TRUCK EQUIPMENT CO.
 20280050**

REVISED: 1-89

PM-211

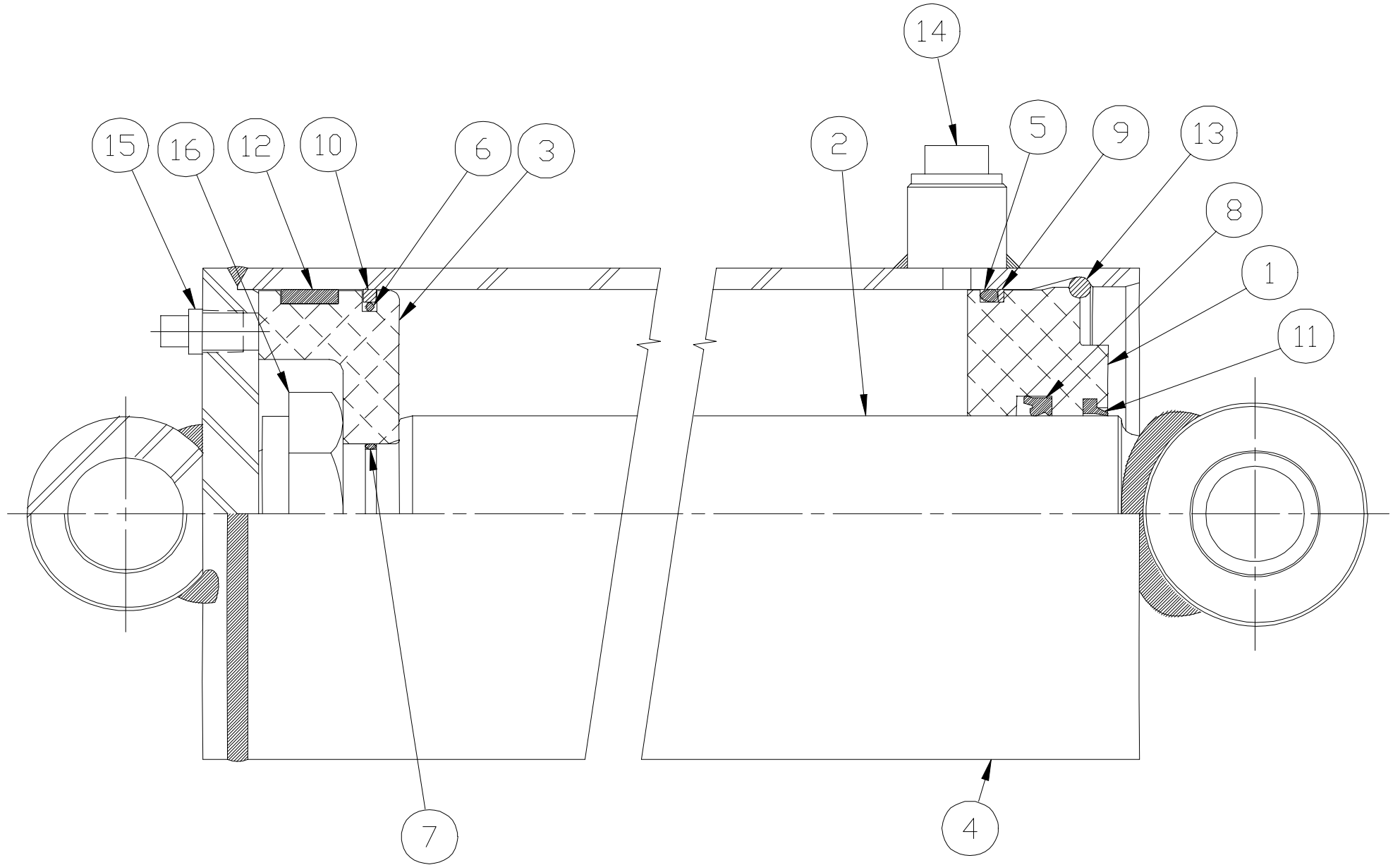
ITEM	PART NUMBER	QTY	DESCRIPTION
1	75089310	1	Breather
2	70270502*	1	Wear Ring
3	75000031*	1	"O" Ring
4	70270620*	1	Seal Ring
5	75000043*	1	"O" Ring
6	20281550	1	Piston
7	20281150	1	Shaft
8	20282050	1	Barrel
9	75085191	1	Lock Nut
10	75000012*	1	"O" Ring
11	20280250	1	Nose Bearing
12	75000009*	1	"O" Ring
13	75000505*	1	Back-up Ring
14	22282950	1	Retaining Ring
15	70270460*	1	Rod Wiper
16	75089305	1	Grease Fitting, 65°
17	75000509*	1	Back-up Ring
18	20280095	1	Repair Kit (Not Shown)

* Indicates parts included in repair kit

NOTE: Refer to cylinder serial number located on the cylinder barrel when ordering parts.

Example: 11 20201-XXXXXX

20280010



WALTCO
TRUCK EQUIPMENT CO.
20280010

REVISED: 2-25-00
E.O. 3443A
REV. 01

PM-263

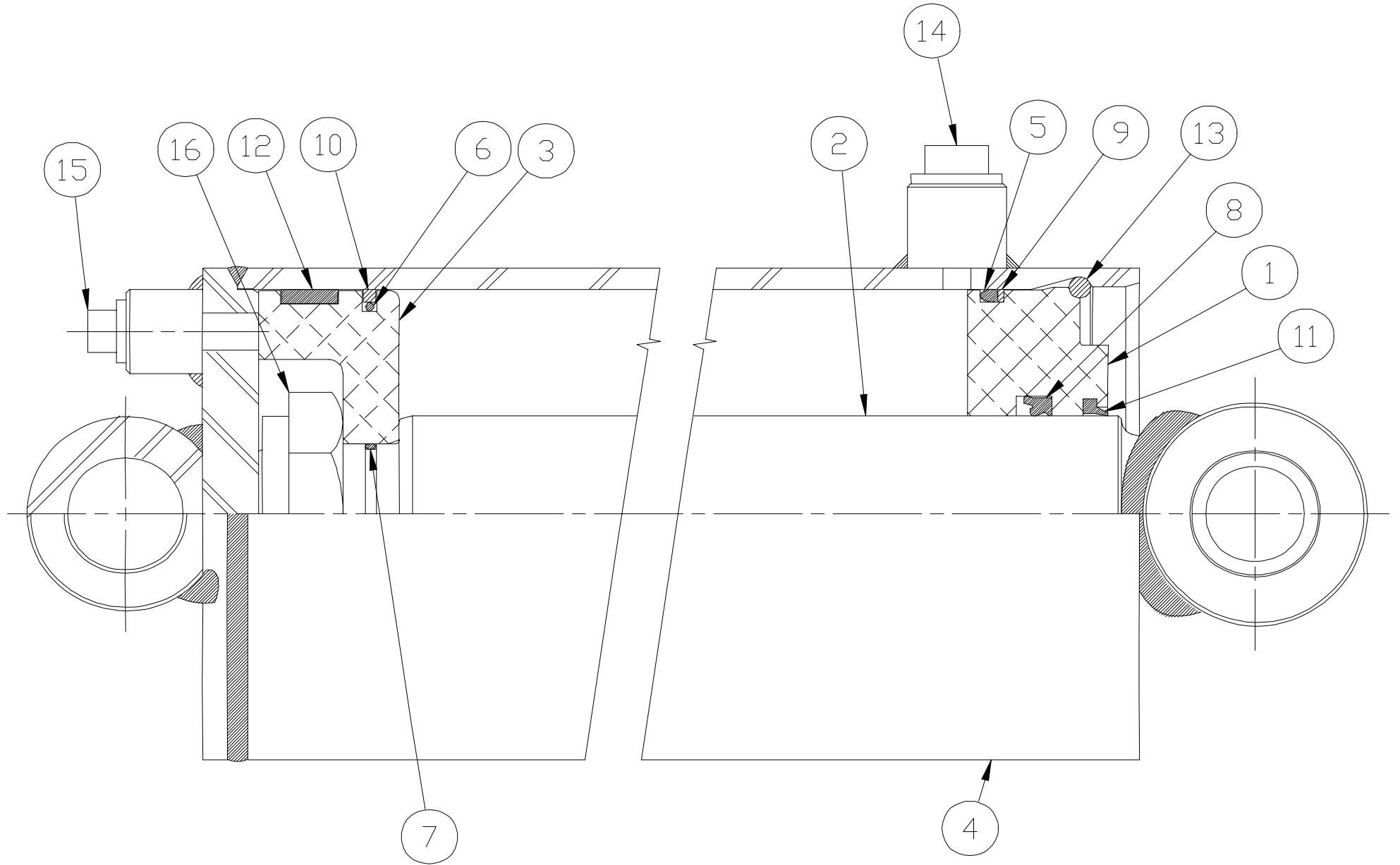
ITEM	PART NUMBER	QTY	DESCRIPTION
1	11202-0200	1	Gland
2	11391-1000	1	Rod Assembly
3	11202-1500	1	Piston
4	11202-2000	1	Barrel Assembly
5	-----*	1	"O" Ring
6	-----*	1	"O" Ring
7	-----*	1	"O" Ring
8	-----*	1	Rod Seal
9	-----*	1	Backup Ring
10	-----*	1	Piston Seal
11	-----*	1	Rod Wiper
12	-----*	1	Wear ring
13	4050	1	Retaining Ring
14	4102	1	Caplug
15	4135	1	Caplug
16	4408	1	Locknut

* Indicates parts included in repair kit number 11391-9500.

NOTE: Refer to cylinder serial number located on the cylinder barrel when ordering parts.

Example: 11391-XXXXX

20280020



WALTCO
TRUCK EQUIPMENT CO.
20280020

REVISED: 2-25-00
E.O. 3443A
REV. 01

PM-264

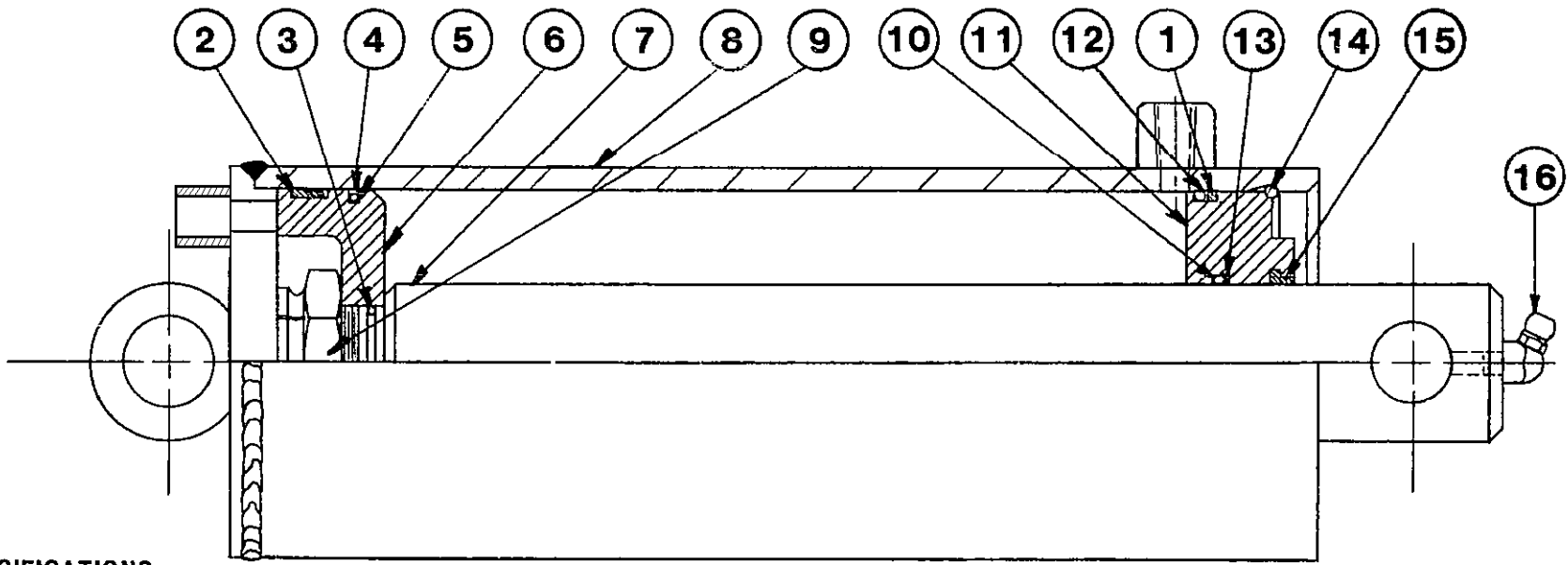
ITEM	PART NUMBER	QTY	DESCRIPTION
1	11202-0200	1	Gland
2	11391-1000	1	Rod Assembly
3	11202-1500	1	Piston
4	11290-2000	1	Barrel Assembly
5	-----*	1	"O" Ring
6	-----*	1	"O" Ring
7	-----*	1	"O" Ring
8	-----*	1	Rod Seal
9	-----*	1	Backup Ring
10	-----*	1	Piston Seal
11	-----*	1	Rod Wiper
12	-----*	1	Wear ring
13	4050	1	Retaining Ring
14	4102	1	Caplug
15	4179	1	Caplug
16	4408	1	Locknut

* Indicates parts included in repair kit number 11391-9500.

NOTE: Refer to cylinder serial number located on the cylinder barrel when ordering parts.

Example: 11393-XXXXX

20280090



SPECIFICATIONS
 RETRACTED 14.125
 EXTENDED 23.25
 BARREL O.D. 4.50

20280090

WALTCO
 TRUCK EQUIPMENT CO.
 20280090

REVISED: 12-1-03
 E.O. 5221
 REV. 01

PM-585

ITEM	PART NUMBER	QTY	DESCRIPTION
1	75000509*	1	Back-up Ring
2	70270502*	1	Wear Ring
3	75000031*	1	"O" Ring
4	70270620*	1	Seal Ring
5	75000043*	1	"O" Ring
6	20281550	1	Piston
7	20281150	1	Shaft
8	20289001	1	Barrel
9	75085191	1	Lock Nut
10	75000012*	1	"O" Ring
11	20280250	1	Nose Bearing
12	75000009*	1	"O" Ring
13	75000505*	1	Back-up Ring
14	22282950	1	Retaining Ring
15	70270460*	1	Rod Wiper
16	75089305	1	Grease Fitting, 65°
17	20280095	1	Repair Kit (Not Shown)

* Indicates parts included in repair kit

NOTE: Refer to cylinder serial number located on the cylinder barrel when ordering parts.

Example: 11 20201-XXXXXX



WALTCO

F Series

TECH TIPS

TT960004	Two piece platforms with 12" folding ramps will have the 90 degree ramp lock installed as standard equipment.
TT960005	Power down and Dual control power down Electropak® will become a standard option.
TT980023	The pins for the F-20RM and F-30RM can be used as field replacements for pins used on the old style F-20 and F-30.
TT000042	Pump unit relocation option for Reduced Installation Flipaways.
TT000043	Modification to prevent auto-unfolding of platform.
TT000049	F series parallel arm lengths too long.
TT000061	New remote pump mounting kit.
TT010069	A power unit with Electropak® can be selected as a standard option for the F-20RM and F-30RM models.
TT010071	The latch on the pump cover for a Reduced Installation pump has been replaced with a new latch.
TT010072A	The seal around the pump cover on the Reduced Installation liftgates can be improved with the use of a new kit (80000745).
TT010080	Locking pin for pump enclosure latch that will keep the latch engaged is available.
TT010081	Flow control adjustment for Gravity Down Flipaway Liftgates.
TT020094	Parallel arm replacement.
TT020102	Commonize on Bed Extensions and release the walkramp option on E-25 and C
TT030118	Improvements to F series platforms and storage thereof
TT030120	F-20, F-30 – New Parts Kits for Decks and Extensions
TT030122	C, E, and F Pump Consolidation
TT030130	Bed Extension consolidation-Sales
TT030131	Bed Extension consolidation-Parts
TT030138	Storage Instructions
TT030139	Assembly of ring terminals on terminal posts.
TT030141	Eliminating Power Down Cylinders
TT030146	Lubrication of Reduced Maintenance Bearings
TT040002	New Plastic Pump reservoir for F, C, & E Series



WALTCO TECH TIPS

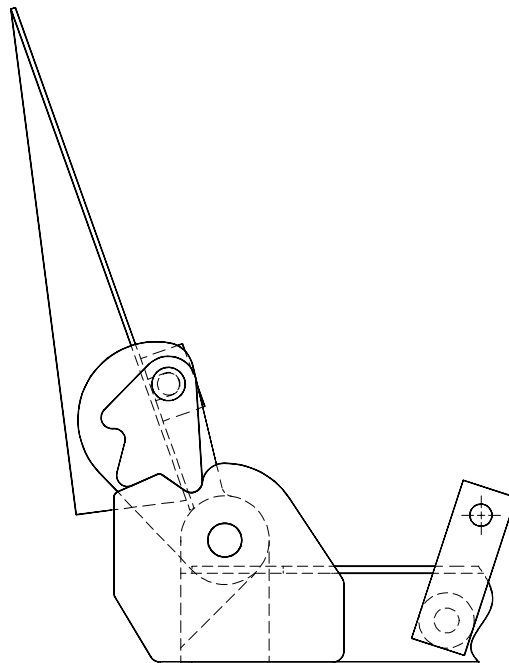
Date: 9-5-96
No. TT960004
Model: F, FSL, SL
EO No. 2222

Effective 2-19-96, all two piece platforms with 12" folding ramps will have the 90 degree ramp lock installed as standard equipment.

Since the release of this ramp we have had some field problems with the ramp clearing the lift arm when the platform is folded for transit. Most of these problems are a result of the lift arms being bent inward during the welding of the lift arm tube.

We have found that when the arms are forced back to their intended position that the platform will fold properly.

Effective 10-4-96, we will be shipping the new version of the ramp lock which will avoid these potential problems. The new ramp lock will be flush to the side of the extension and will no longer pose an clearance problem. (shown below)





WALTCO TECH TIPS

Date: 9-5-96
No. TT960005
Model: F, FSL, C, E
EO No. 2443

Effective 2-9-96, Power down and Dual control power down ELECTROPAK will become a standard option.

The THERALPAK is currently only available on the F reduced maintenance and RF series liftgates. These units carry the full five year warranty.

The THERMALPAK power units are available on other series as specials, all orders should be approved through the SQR process before being ordered. These units would carry a five year warranty on the power unit only.



WALTCO TECH TIPS

Date: 4-7-98
No. TT980023
Model: F-20, 30
EO No.

The pins for the F-20RM and F-30RM can be used as field replacements for pins used on the old style F-20 and F-30.

Pin 20370300 can replace 20270801 and 10170500

Pin 20370400 can replace 20270700

Pin 20370500 can replace 20211200

Pin 20370100 can replace 20411101

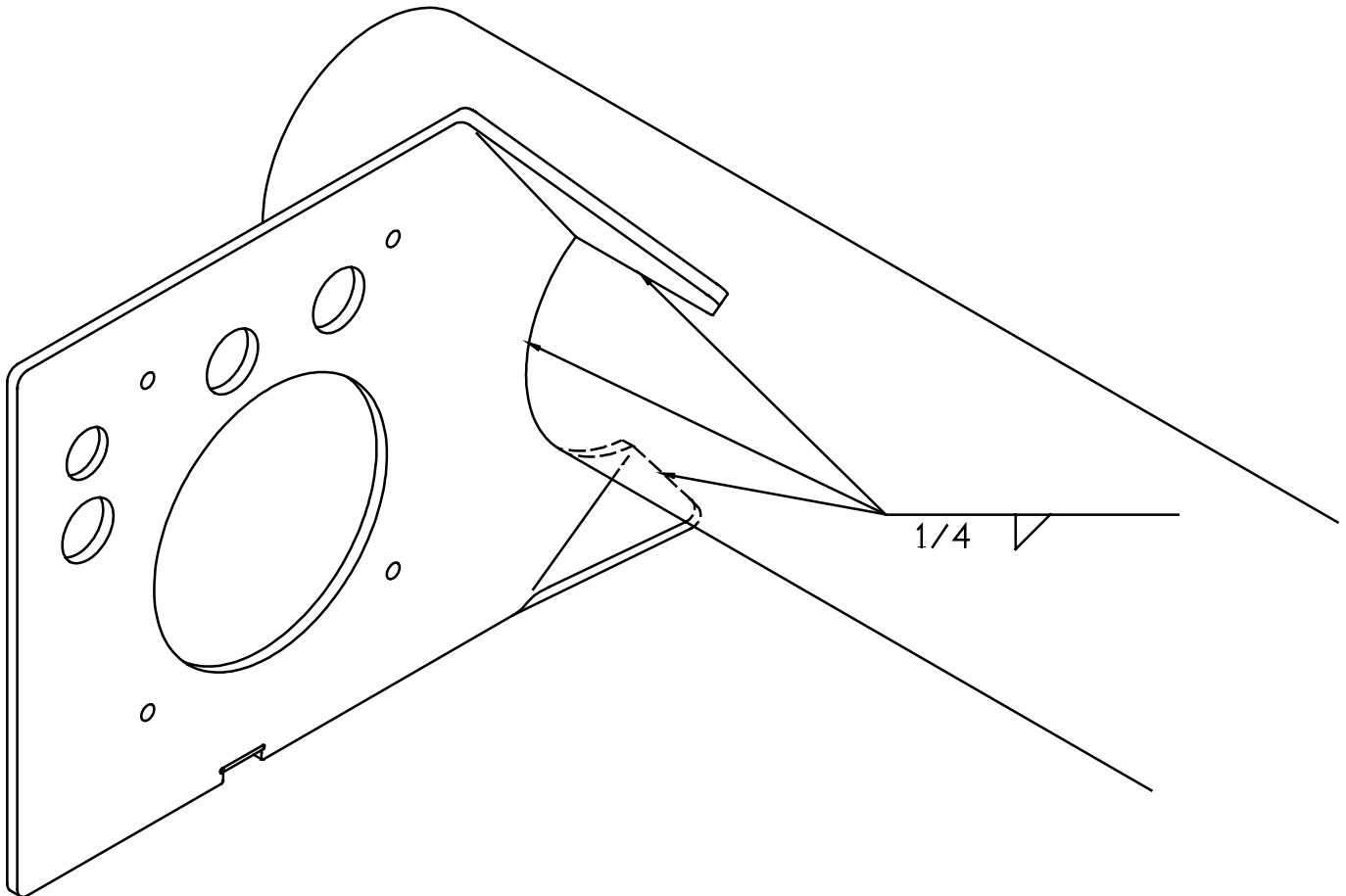


WALTCO TECH TIPS

Date: 2-23-2000
No. TT000042
Model: C-15, C-20
EO No. 3700o

PUMP UNIT RELOCATION OPTION for Reduced Installation Flipaways

Effective immediately, there is a new option available for those who need to relocate their hydraulic pump units on C, E, or F series flipaways. The new bracket facilitates mounting of the pump and motor on the front side of the mount tube, as it is factory mounted now on the F series. The bracket is shipped loose, so the installer may attach it anywhere along the front side of the mount tube. Waltco P/N 20220911.



Weld three sides 100% as shown above.

Install new gasket P/N 10090410, then install pump unit and cover.



WALTCO TECH TIPS

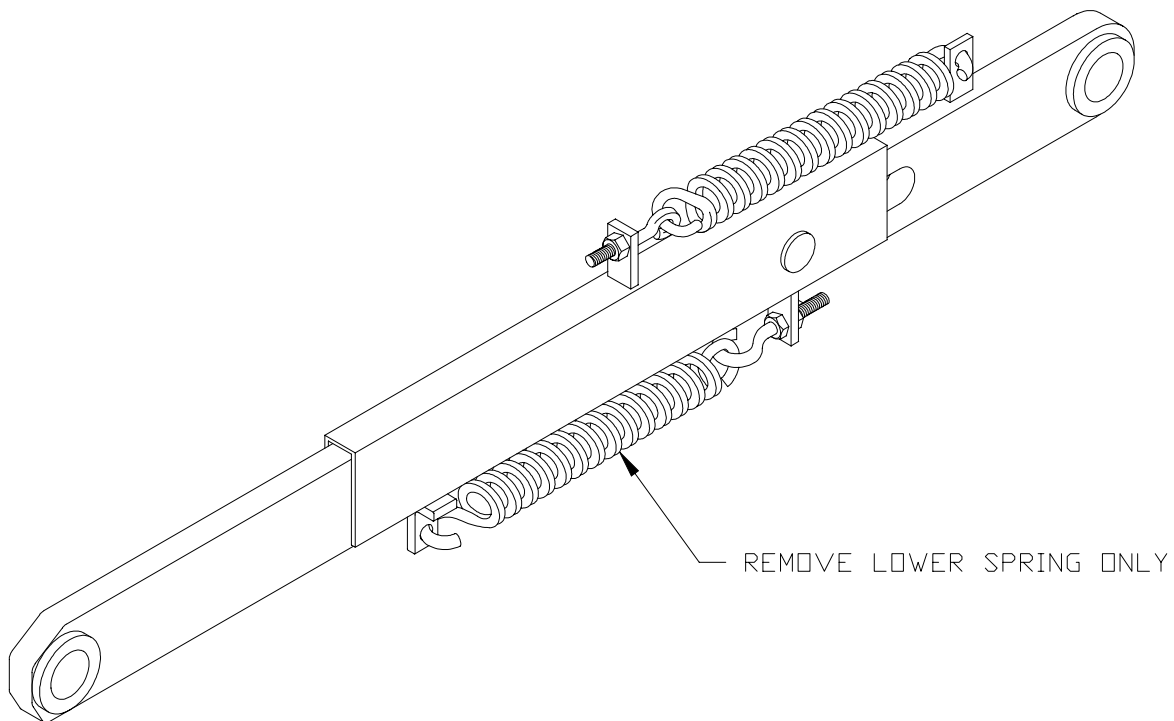
Date: 3-2-2000
No. TT000043
Model: F-30, F-40
EO No.

MODIFICATION TO PREVENT AUTO-UNFOLDING OF PLATFORM

On some installations, the liftgate platform may have a tendency to unfold automatically as the gate is lowered. This presents a potential for injury to the operator or bystanders. The parallel arm spring tension must be adjusted to alleviate this condition, as described in the Installation Instructions manual.

When the adjustment above does not eliminate the problem, the solution is to remove the lower spring from each parallel arm, then adjust the remaining spring for best operation.

REMOVE ONLY THE *LOWER* SPRING FROM EACH ARM.





WALTCO TECH TIPS

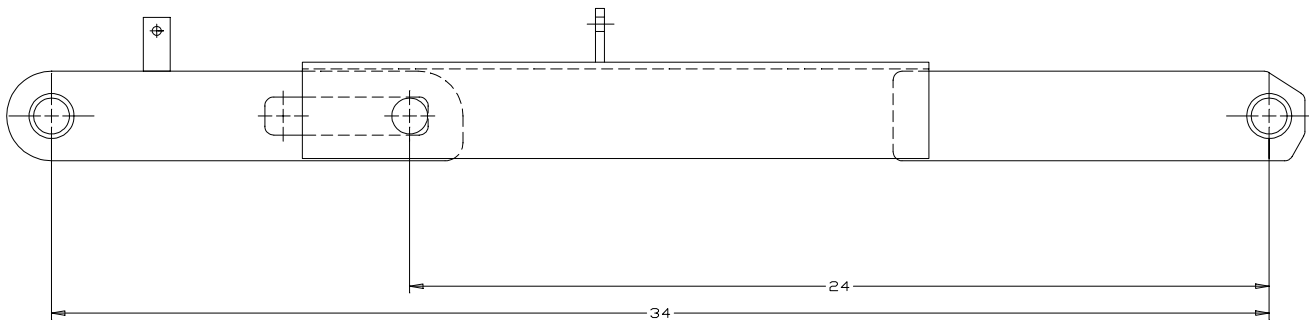
Date: 10-26-2000
No. TT000049
Model: F-20RM, F-30RM,
F-40RM

F series Parallel Arm Lengths

We have recently discovered that a manufacturing error has caused some nonconforming F series parallel arms to be made. Some of these have made their way into gates which now may be in customers' hands. These parallel arms are too long. This will cause one of the following conditions:

1. The installer will not be able to get the platform pitch prescribed in the installation instructions, or will have to use all of the stop bolt adjustment to do so.
2. The gate may seemingly install OK, but upon loading by the end user, the platform will twist and sag to one side.

We need to identify all the errant arms, and remove them from circulation. They're easy to determine, simply check for the 24" dimension shown below. Anything more than 24" is too long. This dimension does not change in use, so the arm can be checked with the gate in any position.



Obtain replacement arms from Tallmadge, and have your customers scrap the old ones. They cannot be reworked.



WALTCO TECH TIPS

Date: 2-16-01
No. TT000061
Model: F, C, E
EO No. 4350

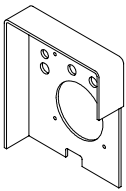
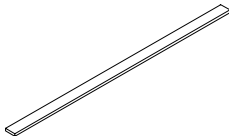
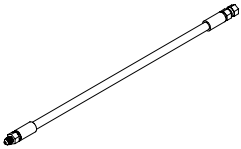

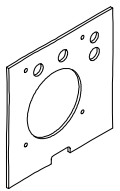
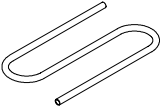
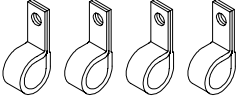
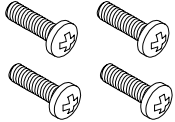

New Remote Pump Mounting Kit

A new kit has been released that will allow the pumps used on the F, C, and E to be mounted remotely from the liftgate.

It will soon be available as a standard option for the F, C, and E series liftgates. As for other models, this kit will need to be ordered as a special, along with one of the new style pump units that are compatible with it.

Included in the kit is a mounting bracket that can be installed either on the chassis frame or to the body cross members.

Contents:

(1) Mounting Bracket 	(1) 1/4" x 1" x 22" Flat Bar Brace 	(1) 20" Hose Extension (2 for Power Down) 	(1) Square Plug for pump reservoir 	(1) Gasket 
(1) 60" PVC Return Line (0 for Power Down) 	(4) Hose Clamps 	(4) Self-tapping screws 	Instructions 	

With the hose extensions included in the kit, the pump can be mounted to about 5ft. from the liftgate. However, this kit can be customized by our SP department to include longer hoses for greater distances.

This kit can be beneficial for different situations, such as:

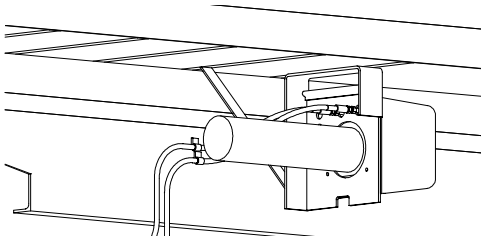
- Installing a C-series liftgate on a truck with a low bed height. The pump can be mounted well above the ground.
- When the liftgate is very close to the rear tires. The pump can be mounted out of the way of kicked-up debris or wind-blown mud flaps.

80000904 = Kit for Gravity Down **80000905** = Kit for Power Down

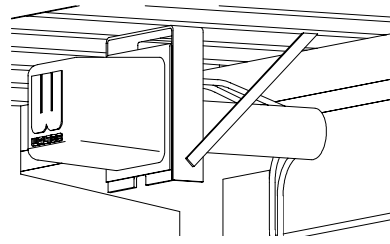
See attached installation Instructions for Kit.

1. Locate a position for the pump on the truck frame as near to the rear of the vehicle as practical. Shown below are three possible ways the pump may be mounted.

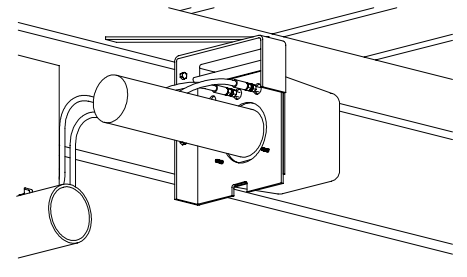
Mounted on crossmembers parallel to the vehicle frame



Mounted on crossmembers perpendicular to the vehicle frame



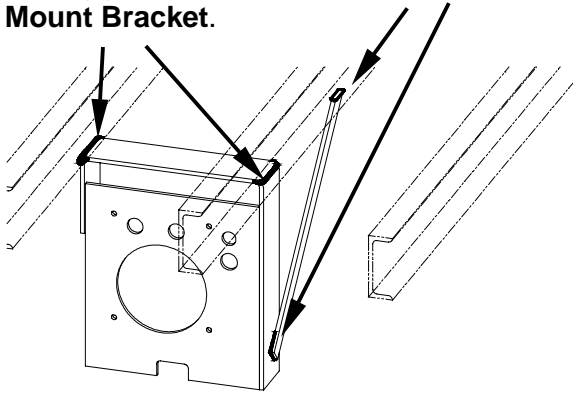
Bolted or welded to the vehicle frame



2. Install Remote Bracket on to the vehicle.

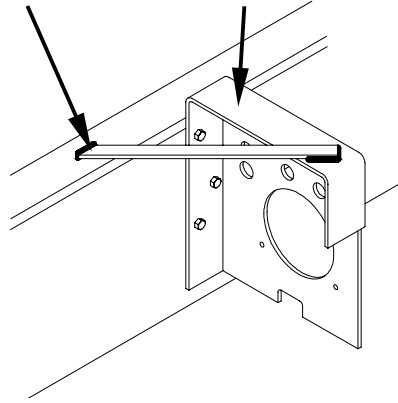
If welding to crossmembers

Weld top ends of Mount Bracket to a crossmember.
Weld both sides of one end of Brace to a crossmember.
Weld (3) sides of other end of **Brace** to the **Mount Bracket**.



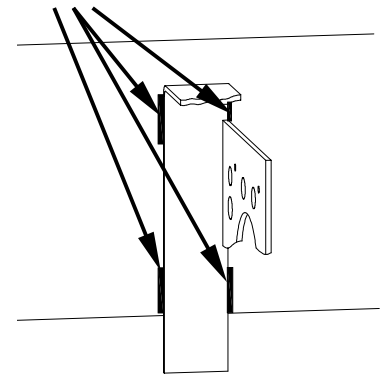
If bolting Mount Bracket to vehicle frame

Weld both sides of one end of Brace to the body long member.
Weld (3) sides of other end of **Brace** to the **Mount Bracket**.



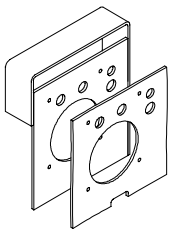
If welding Mount Bracket to vehicle frame

Weld the Mount Bracket as shown

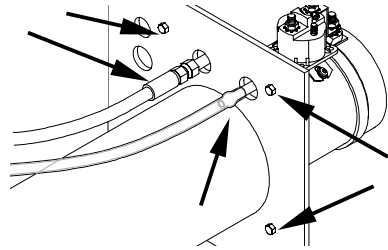


Also weld Brace as shown in previous picture.

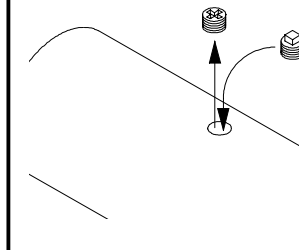
3. Add Gasket to Mount Bracket.



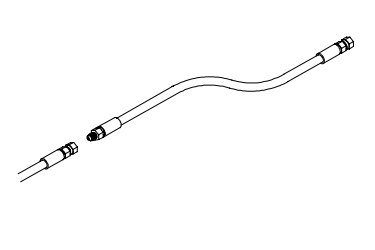
4. Detach hoses and unfasten (4) hex-screws to remove pump.



5. Replace vented plug with Square Head Plug

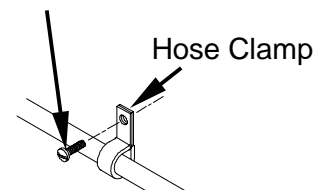


6. Connect Hose Extension to Hydraulic Hose.



7. Fasten Pump to Mount Bracket using the (4) hex screws.
8. Re-attach hoses.
9. Secure hoses to the vehicle using the hose clamps and self-tapping screws provided.

Self-tapping Screw



IMPORTANT:
Hydraulic hoses are to be protected from sharp edges, and never secured near exhaust system.



WALTCO TECH TIPS

Date: 5-25-01
No. TT010069
Model: F-20RM, F-30RM
EO No. 4500

A power unit that does not have the Thermalpak[®] with Voltage Guard[™] feature (Electropak[®]) can now be selected as a standard option for the F-20RM and F-30RM models.

This non-Thermalpak[®] feature is available in both gravity down and power down pumps and will be selectable in C.O.P.

20290100 = Electropak[®] Gravity Down Power Unit

20290125 = Electropak[®] Power Down Power Unit

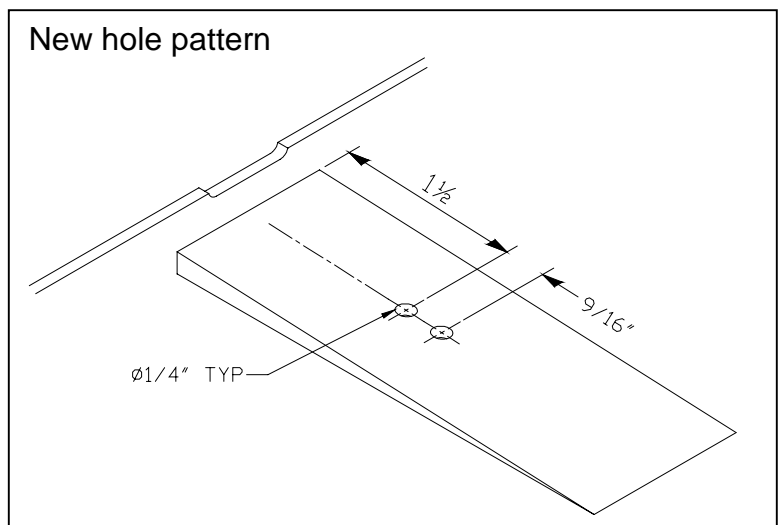
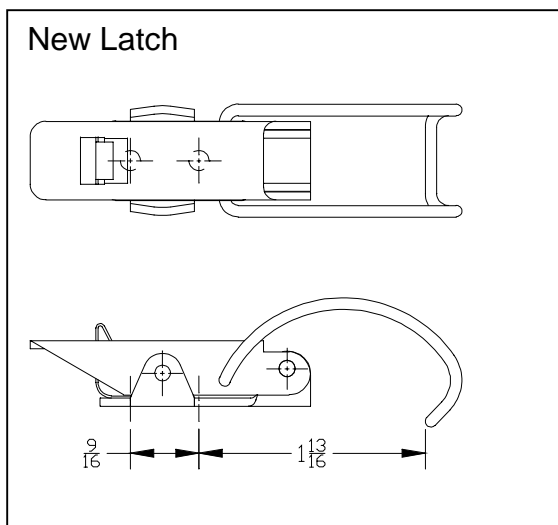


WALTCO TECH TIPS

Date: 6-8-01
No. TT010071
Model: F, C, E
EO No. 4332

The latch on the pump cover for a reduced installation pump has been replaced with a new latch. As a result of the new latch having a different mounting hole pattern, new holes will need to be made in the cover when replacing an old-style latch.

A new latch replacement kit (80000764) has been released. It includes instructions for locating and drilling fastener holes for the new style latch in case the latch being replaced in the field is the old style.





WALTCO TECH TIPS

Date: 10-24-01
No. TT010072A
Model: F, C, E
EO No. 4556

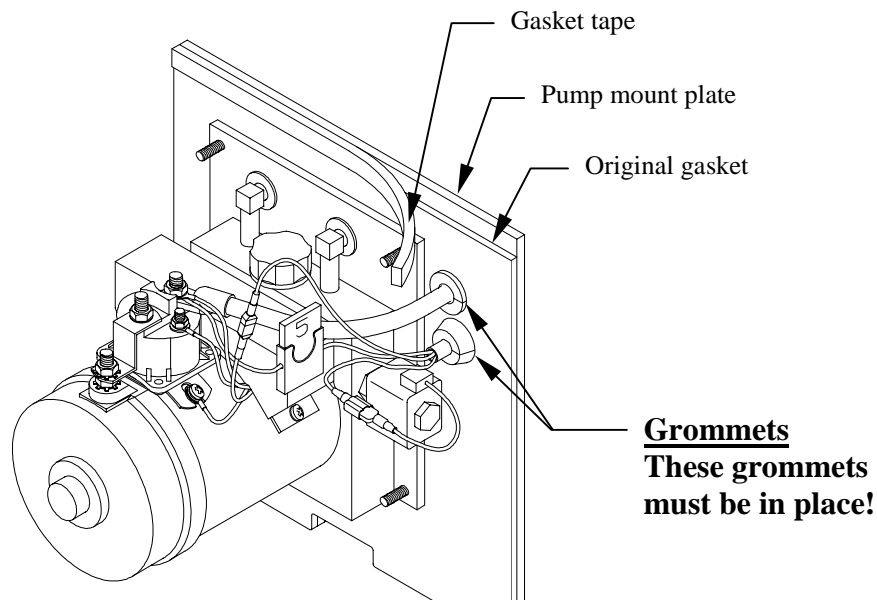
The seal around the pump cover on the Reduced Installation liftgates can be improved with the use of a new kit (80000745).

Gasket tape from the kit is added to the existing gasket on the liftgate. This is to ensure that the entire opening of the hood is gasketed.

Also in the kit are grommets that should be used to seal around the battery cable and control cord.

For further details, see the Auxiliary Gasket Installation Instructions (80101302).

Note: The gasket has been lengthened, new units will not require the gasket tape.



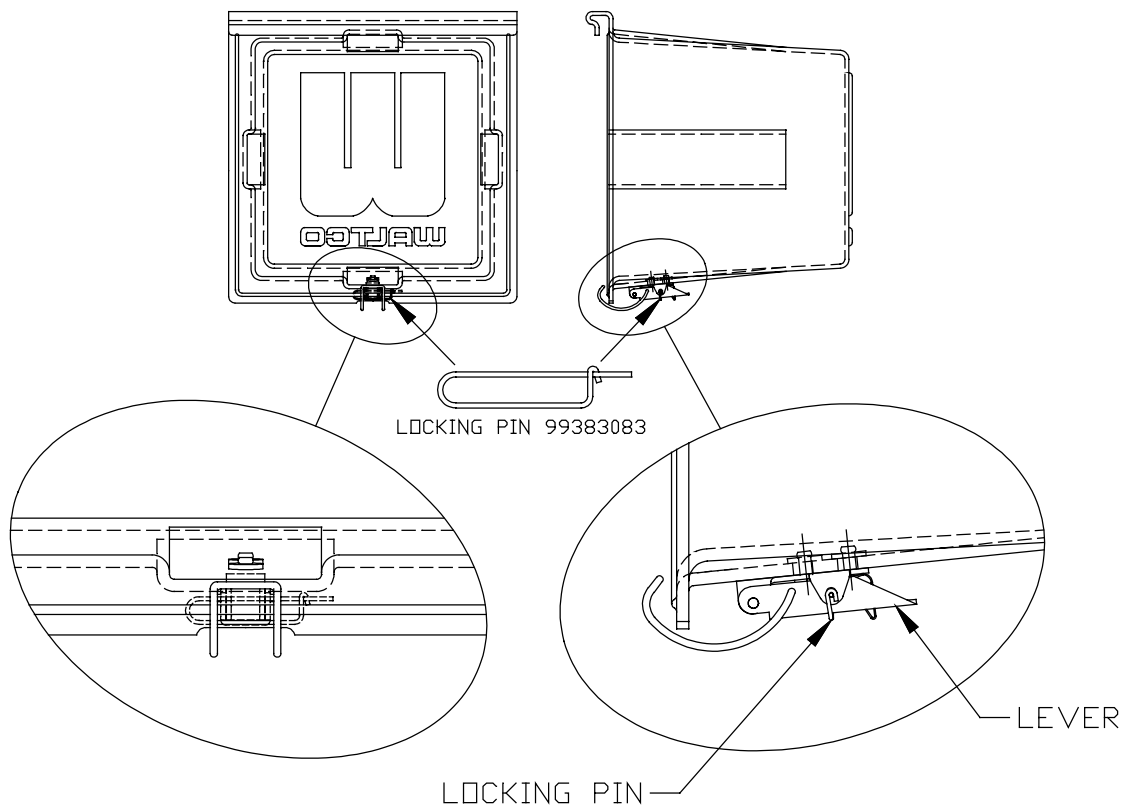


WALTCO TECH TIPS

Date: 10-25-01
No. TT010080
Model: F, C, E

Subject: Locking Pin for Pump Enclosure Latch

- A locking pin that will keep the latch engaged on the F, C, or E pump cover is available from Waltco.
- The pin is inserted through holes in the base and in the lever of the latch.
- The pin will hold the lever from springing open.
- The part number for the pin is 99383083.
- Locking pin is free of charge.





WALTCO TECH TIPS

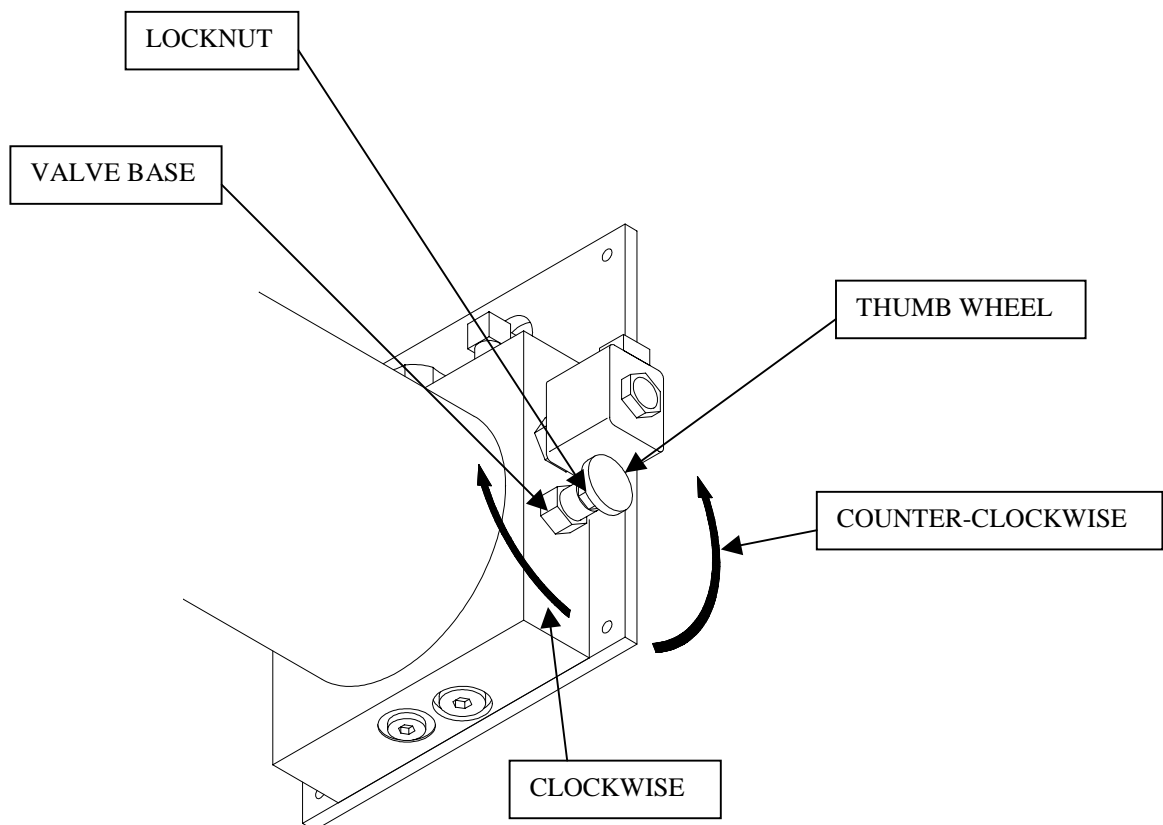
Date: 10-29-01
No. TT010081
Model: F,C,E
EO No.

Flow Control Adjustment for Gravity Down Flipaway Liftgates

With some pumps, slower lowering speeds may be desired beyond the full adjustment of the Flow Control Valve. Here's a simple way to create more adjustment when needed:

1. Locate the flow control valve on the side of the pump body.
2. Loosen the 7/16" locknut under the thumb wheel.
3. Turn the thumb wheel counter-clockwise, to back it out at least 3 turns from bottom.
4. Turn the 1/2" hex at the base of the valve in (clockwise only). Go no more than 1/2 turn at a time. In most cases, 1/4 to 1/2 turn will be sufficient.
5. Operate liftgate, adjusting thumb wheel to get the desired speed.
6. Tighten 7/16" locknut.

IMPORTANT: TURN VALVE BASE NUT CLOCKWISE ONLY: Turning counter-clockwise may cause leakage around the threads, requiring removal and resealing of the valve. Thumb wheel may be turned in either direction as needed when adjusting lowering speed.





WALTCO TECH TIPS

Date: 04/19/02
No. TT020094
Model: F20RM & F30RM

F-series Parallel Arm Replacement

Parallel Arm Replacement Kits:

20295301 for F-20 & FW-20

20395301 for F-30 & FW-30

20295302 for F-20EB

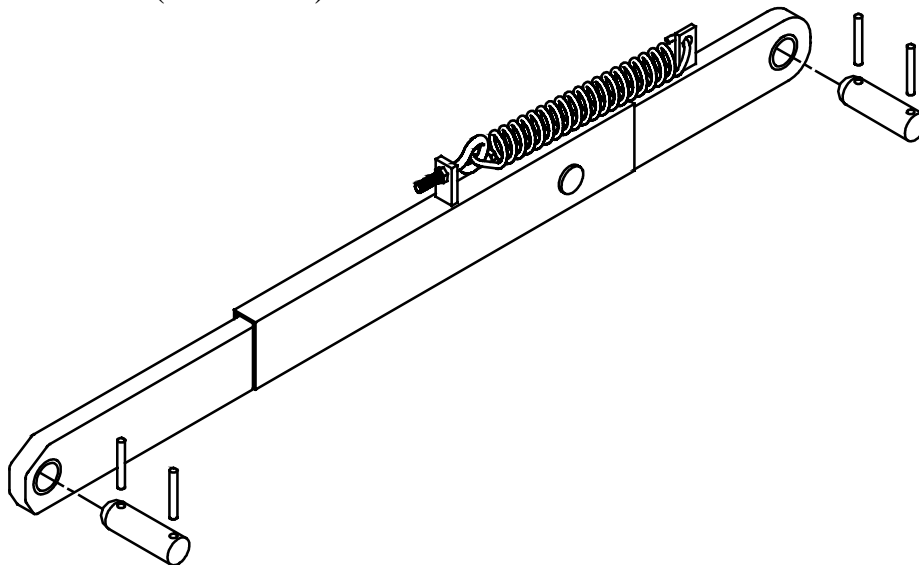
Kits include:

(2) Parallel Arm Assemblies (20250003, 20350003, or 20250004)

(2) Hinge Pins (20370500)

(2) Hinge Pins (20370100)

(8) Coiled Pins (75089541)



- Both Parallel Arm Assemblies should be replaced when required.
- Parallel Arm Replacements will be the Reduced Maintenance (“RM”) design.
- Parallel Arm Replacements will always include a new set of Pins and Coiled Pins.



WALTCO TECH TIPS

Date: 09-27-02
No. TT020102 rev 02
Model: C, E, F

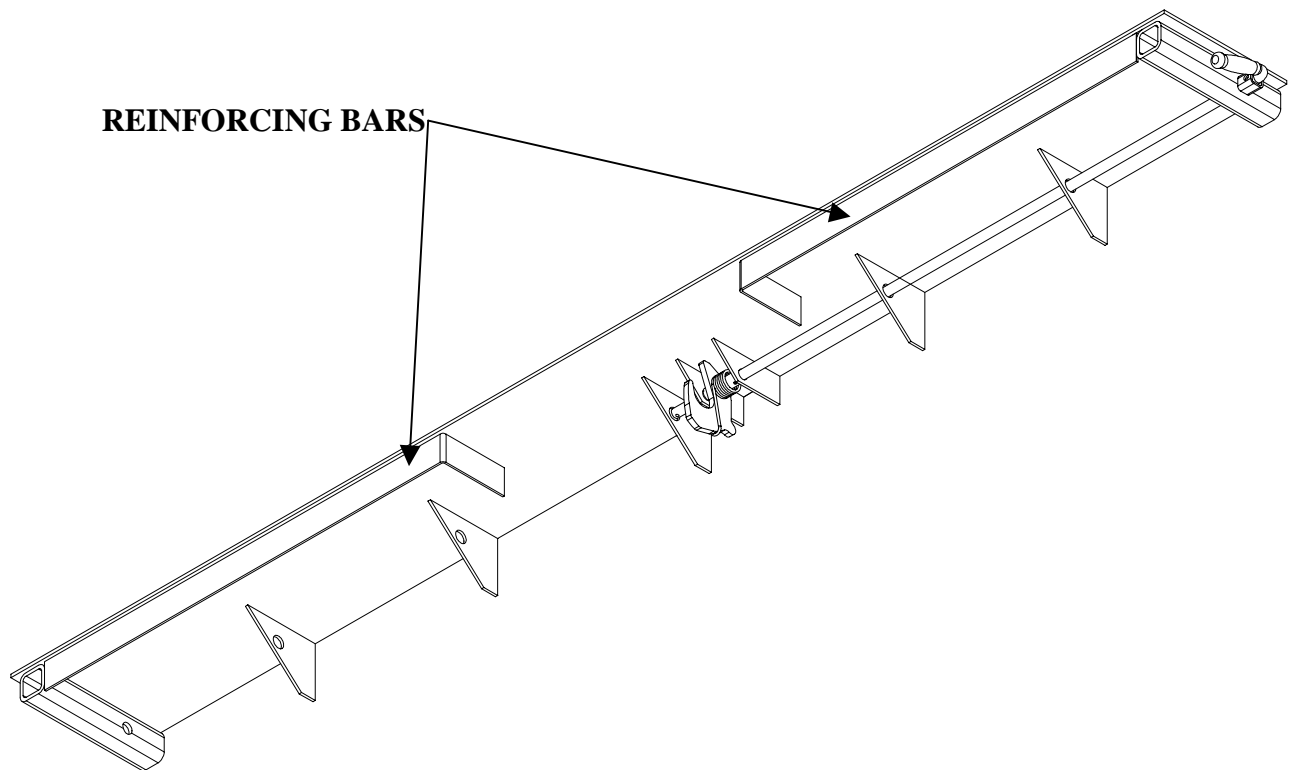
An SP has been created to increase the strength of the bed extensions on all Cs, Es and Fs.

This SP incorporates a new location for the latch hook on the bed extensions and a new bail location on the platforms for the E-25 series. This was done to allow every E-series gate to be compatible with a walk ramp. All the customer needs to do is cut notches in the E series SP bed extension to accept the ramp.

The special F bed extension can only be used with a special platform that fits around the reinforcement bar.

For C or E series gates order SP #0245

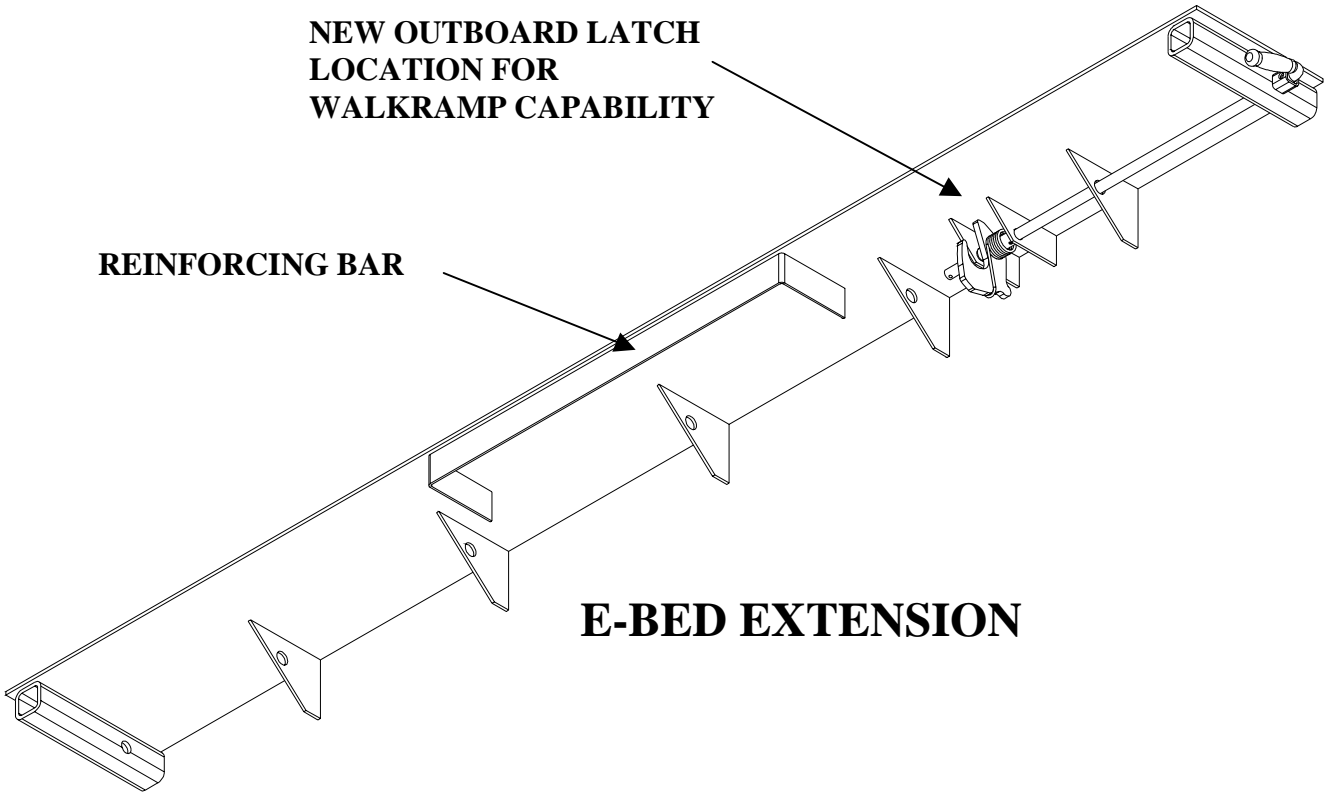
For F series gates order SP#0252



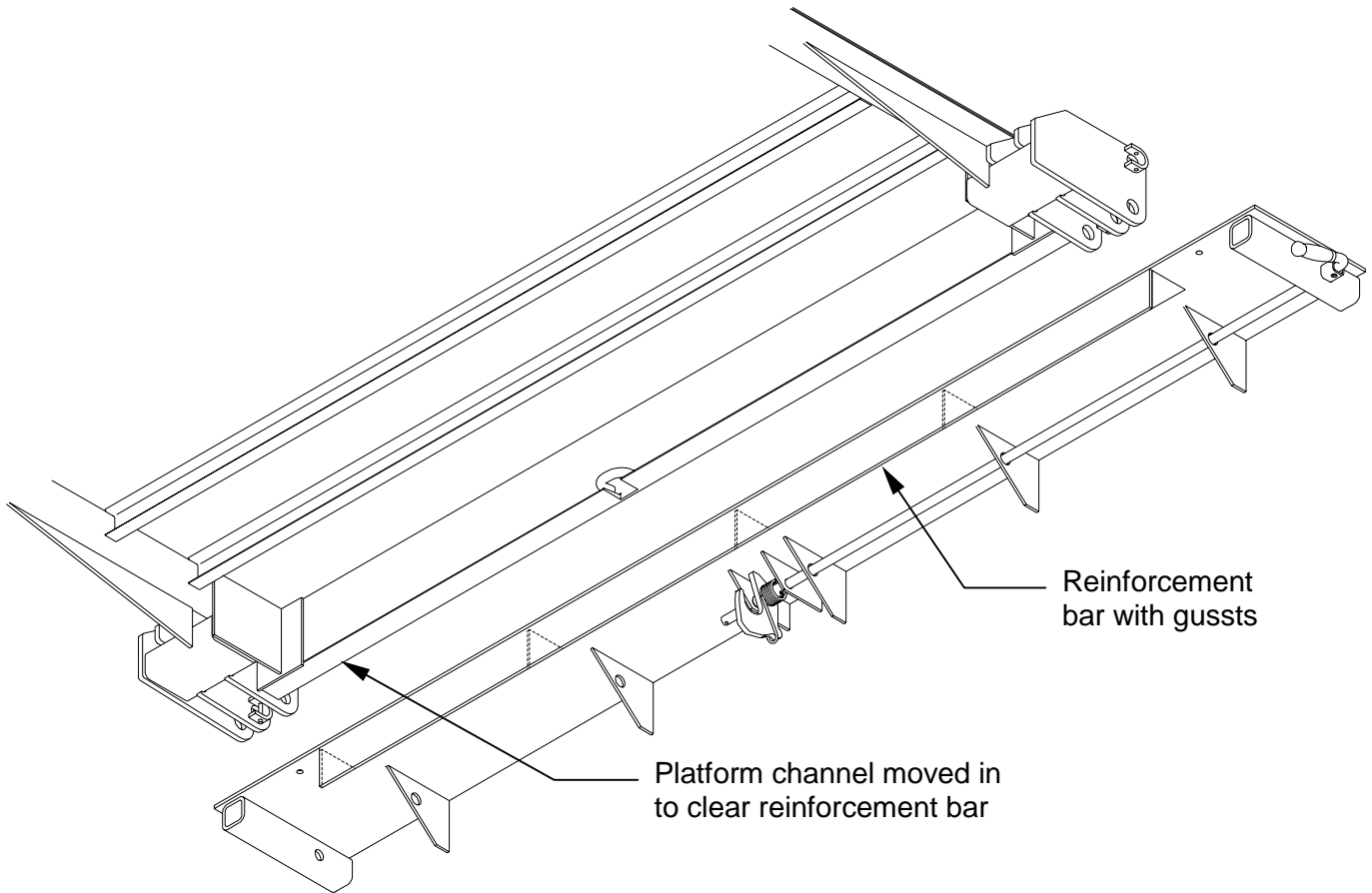
C-BED EXTENSION

**NEW OUTBOARD LATCH
LOCATION FOR
WALKRAMP CAPABILITY**

REINFORCING BAR



E-BED EXTENSION



**Reinforcement
bar with gussts**

**Platform channel moved in
to clear reinforcement bar**

SPECIAL F-BED EXTENSION and PLATFORM



WALTCO TECH TIPS

Date: 2-7-03
No. TT030118
Model: F-20RM, F-30RM
EO No. 4921A

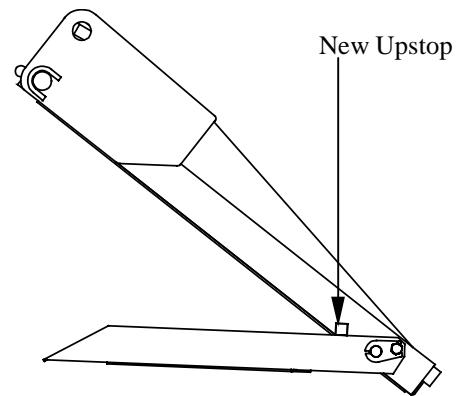
F Series Storage and Installation Improvements

Waltco's Engineering department has just completed a number of significant improvements to the F Series liftgates. Improvements for tight storage and liftgate durability, as well as installation time savings have been incorporated into these liftgates.

Storage Improvements:

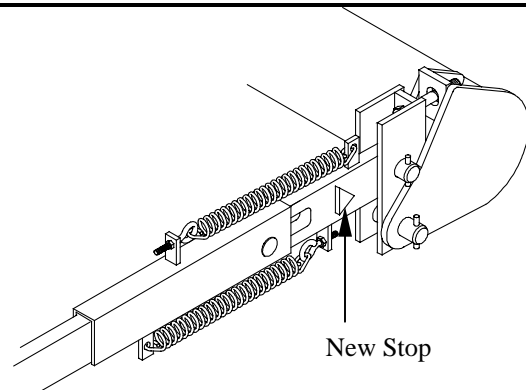
PLATFORM UPSTOPS

- New, Factory Installed
- Accurate Placement Assured
- Ensure Tight Storage
- Reduced Installation Time
- Improved Strength



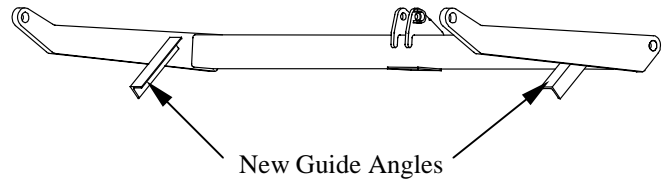
PARALLEL ARM STOP

- New to F series
- Holds Platform Tightly In Storage
- Easy Installation
- Field Proven Design



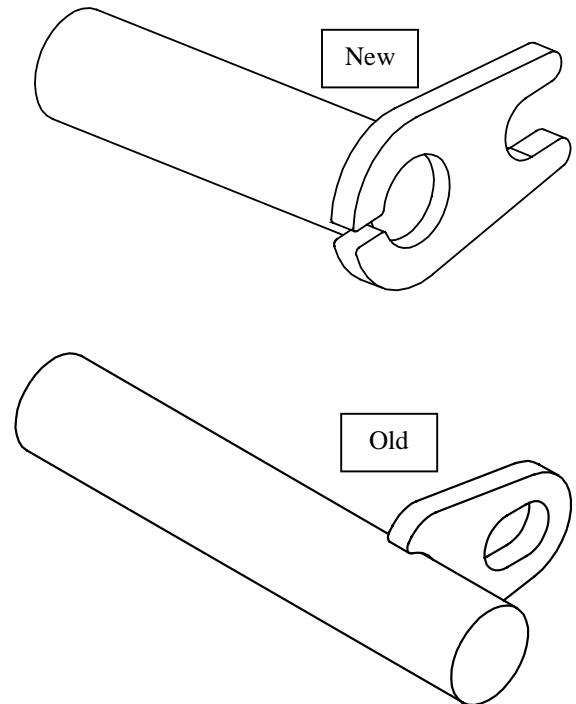
GUIDE ANGLES

- Factory Installed
- Ensure Correct Platform Fold-Away
- Prevent Platform Damage
- Promote Tight Storage



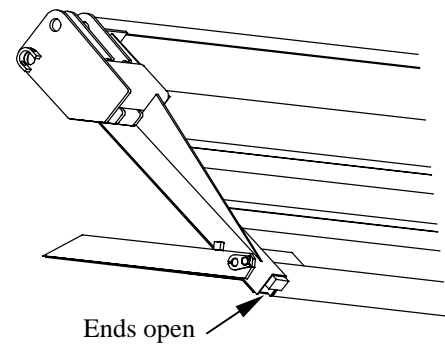
HINGE PIN REDESIGNED

- To Complement New Stops And Guides
- Added Weld for More Strength



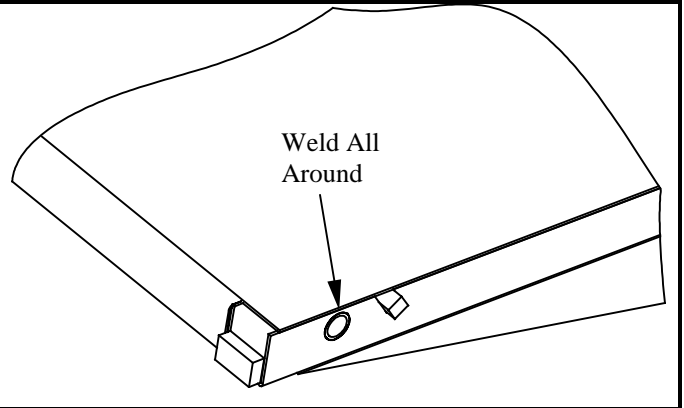
REDESIGNED DECK SIDE TUBES

- Open Ended for Drainage
- Reduces Rust Damage



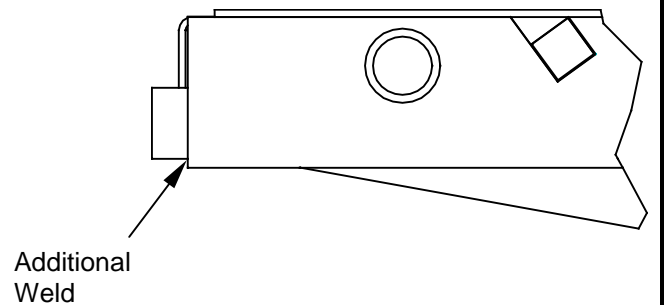
STRONGER HINGE TUBES

- Now Welded 100% on Inside of SideTube
- More Than Doubles Amount of Weld in this High Stress Area



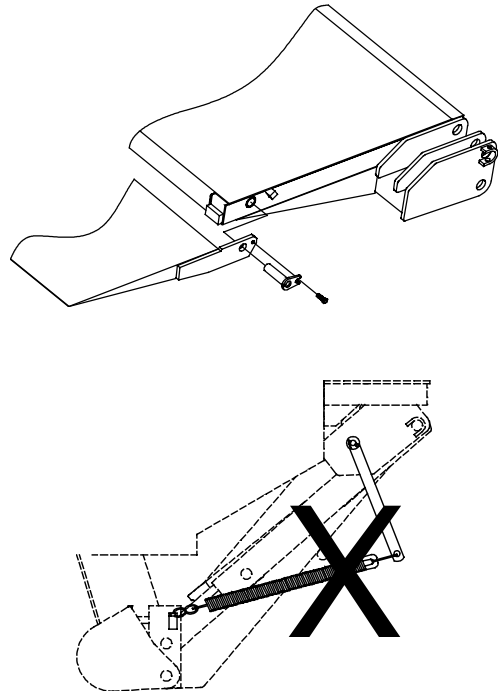
MORE WELD FOR SUPPORT BLOCKS

- Additional Fillet Weld Added for Strength
- Extra Support for Rough Conditions



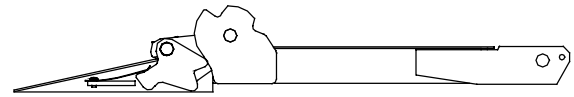
WEDGE PLATFORM REDESIGNED

- Lighter Yet Just As Strong
- New Bolt-On Extension
- Stacks Better for Shipping
- No Helper Springs Needed
- Reduced Installation Time

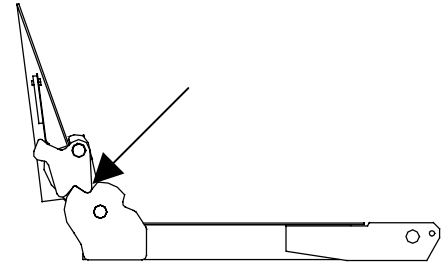


RAMP LATCH MECHANISM

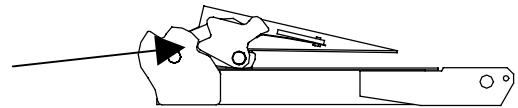
- For +12" Ramp
- New, Automatic Locking in 2 Positions
- Easy, One-Finger Release
- Manual Storage Latch Eliminated



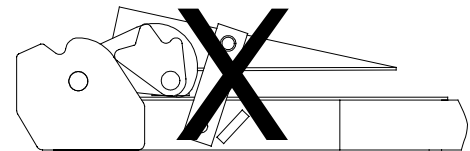
Loading Position (Free)



Cart Stop Position (Locks Automatically)



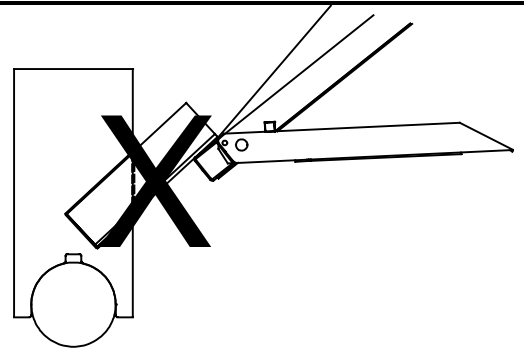
Storage Position (Locks Automatically)



No Manual Latching Required

UPSTOP ANGLE ELIMINATED

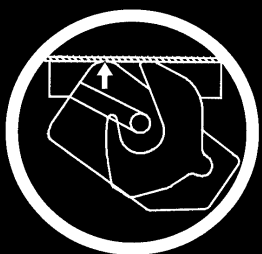
- Saves Installation Time
- Prevents Potential Platform Damage
- Removes Source of Installation Errors



STORAGE REMINDER DECAL

- Bright, Visible Reminder
- Prompts User to Store Liftgate Correctly
- Retrofittable to Older Liftgates also

IMPORTANT

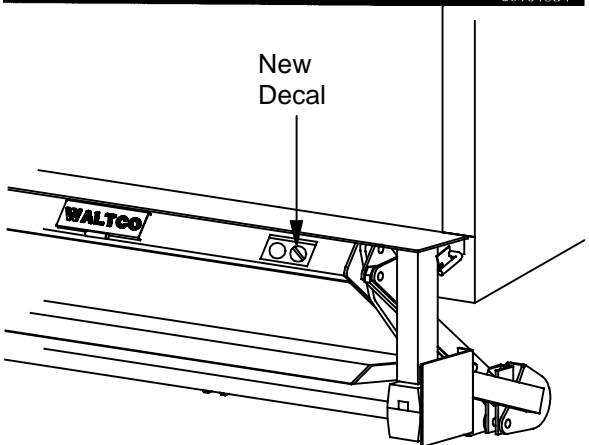


**STORE PLATFORM
TIGHT AGAINST
BED EXTENSION**



**DO NOT REST
BAIL IN HOOK AS
SHOWN**

12/02 80101334



New
Decal

NEW INSTALLATION INSTRUCTIONS

- Completely Rewritten
- User-Friendly
- Clear and Concise
- Reduce Installation Time

WALTCO
TRUCK EQUIPMENT CO.

F-20RM, F-30RM

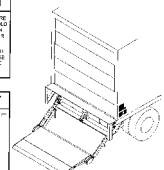
Visit us at www.waltco.com Installation Instructions
2008, 2010 In-Layout, Truckbody, Trailer, L-Plate

ATTENTION

THE SUCCESS OR FAILURE OF THE EQUIPMENT COULD BE AFFECTED BY THE PROPER INSTALLATION AND PROPER MAINTENANCE. READ AND UNDERSTAND THE CONTENTS OF THESE INSTRUCTIONS BEFORE PROCEEDING.

IMPORTANT

WHEN INSTALLED, THE LIFTGATE MUST BE USED IN ACCORDANCE WITH ALL FEDERAL, STATE AND LOCAL REGULATIONS AND REQUIREMENTS. ALWAYS FOLLOW THE INSTRUCTIONS FOR PROPER USE AND MAINTENANCE.



2-2008 12/08

OHIO 2000 W. WALKER AVE. WALKER, OHIO 43081 FAX: 614-881-1111 E-MAIL: info@waltco.com	CALIFORNIA 2221 W. WALKER AVE. WALKER, OHIO 43081 FAX: 614-881-1111	GEORGIA 1000 W. WALKER AVE. WALKER, OHIO 43081 FAX: 614-881-1111
---	---	--

S.O. #714 Rev. 03 #0300

NEW OWNER'S MANUAL

- Completely Rewritten
- User-Friendly
- Clear and Concise
- Maintenance Instructions for Optimum Service Life

WALTCO
TRUCK EQUIPMENT CO.

F-20RM, F-30RM

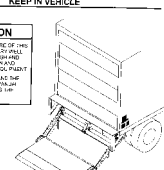
Visit us at www.waltco.com Owner's Manual
2008, 2010 In-Layout, Truckbody, Trailer, L-Plate

IMPORTANT

KEEP IN VEHICLE

ATTENTION

THE SUCCESS OR FAILURE OF THE EQUIPMENT COULD BE AFFECTED BY THE PROPER INSTALLATION AND PROPER MAINTENANCE. READ AND UNDERSTAND THE CONTENTS OF THESE INSTRUCTIONS BEFORE PROCEEDING.



2-2008 12/08

OHIO 2000 W. WALKER AVE. WALKER, OHIO 43081 FAX: 614-881-1111 E-MAIL: info@waltco.com	CALIFORNIA 2221 W. WALKER AVE. WALKER, OHIO 43081 FAX: 614-881-1111	GEORGIA 1000 W. WALKER AVE. WALKER, OHIO 43081 FAX: 614-881-1111
---	---	--

S.O. #714 Rev. 03 #0300



WALTCO TECH TIPS

Date: 2-21-03
No. TT030120
Model: F-20RM, F-30RM
EO No. 4921B

Replacement Parts Kits for F-20RM and F-30RM Platforms

Every standard combination of deck and deck extension is now available in a complete, ready-to-install parts kit.

EO 4921B Releases 6 new parts kits, 4 new instructions, 7 revised parts kits, 1 revised instruction, and 1 revised PM. See **PM-522A, Rev. 02**.

Each kit contains all hardware, decals, and instructions necessary for installation.

Kits will work on all F-20 and F-30 gates built since Jan. 1978, *except for wedge*, see notes below.

Complete Platform Kits

NEW	REV. #	PART No.	DESCRIPTION
	02	80000830	Kit, Platform Replacement, F-20, 38 x 72 + 4
	02	80000831	Kit, Platform Replacement, F-30, 38 x 72 + 4
	02	80000832	Kit, Platform Replacement, F-20, 42 x 72 + 12
	02	80000833	Kit, Platform Replacement, F-30, 42 x 72 + 12

Main Deck Replacement Kits

NEW	REV. #	PART No.	DESCRIPTION
Y	01	80001002	Kit, Main Deck Replacement, F-20
Y	01	80001003	Kit, Main Deck Replacement, F-30

Deck Extension Replacement Kits

NEW	REV. #	PART No.	DESCRIPTION
	04	80000787	Kit, Deck Extension Replacement, F-20, F-30, 42x72+12
	03	80000834	Kit, Deck Extension Replacement, F-20, F-30, 38x72+4
Y	01	80001000	Kit, Deck Extension Replacement, F-20, F-30 42x72, B.E.
Y	01	80001001	Kit, Deck Extension Replacement, Wedge, BOLT-ON *
Y	01	80001004	Kit, Deck Extension Replacement, Wedge, WELD-ON *

* Wedge gates made BEFORE 3-2003 are WELD-ON. AFTER 3-2003 are BOLT-ON. Main Deck only for WELD-ON wedge is 20711000 (F-20) or 20811000 (F-30). BOLT-ON wedge uses kits 80001002, 80001003 above.

Hardware Kits

NEW	REV. #	PART No.	DESCRIPTION
	02	80000746	Kit, Ramp Lock Replacement
Y	01	80000999	Kit, Hinge Pin Replacement, F-20, F-30



WALTCO TECH TIPS

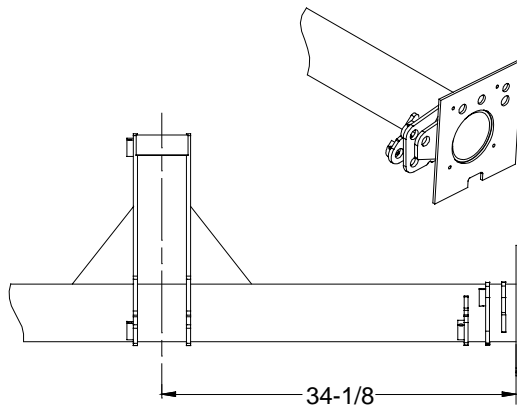
Date: 3/25/03
No. TT030122
Model: E & F
EO No. 4978

SUBJECT: C, E, & F PUMP CONSOLIDATION

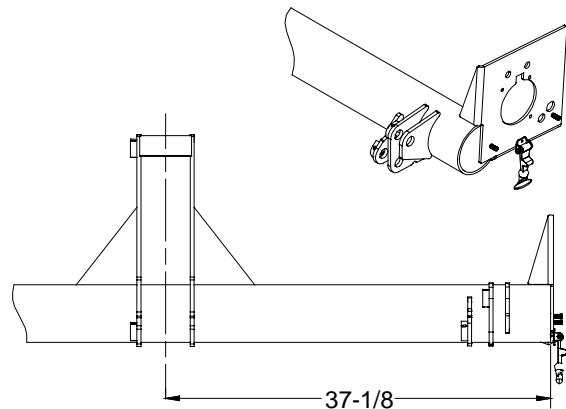
The C, E, and F Series gates will now share common pumps. This consolidation involves the following changes...

Pump Location on E-Series

- Pump now located out of the Mount Tube, positioned forward of the Tube
- The Mount Tube is lengthened 3" on the curb side to provide room for the Pump Reservoir
- Matches C and F Series design
- Eliminates need for a breather plug in Pump Reservoir
- Improves ground clearance



OLD



NEW

Common Pump Units

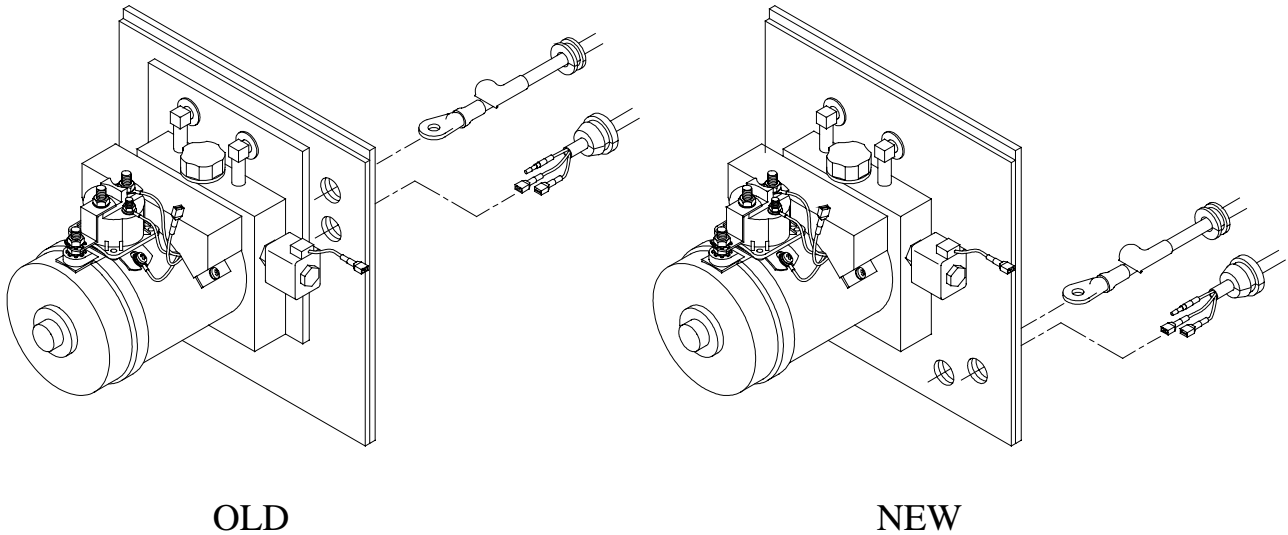
- All F, C, and E gates once again use the same Pump Units
- All F, C, and E gates will once again use the same optional Remote Mount Pump Kits (80000904 & 80000905)

Common Pump Covers:

- All F, C, and E gates once again use the same Pump Cover with the rubber draw latch

Electrical Cable Routing Improved

- The Control Cord and Battery Cable now route to the Pump through a lower position on the Pump Mount Plate.
- This will reduce the amount of water getting into the Pump area if grommets are not installed



New Pump Replacement Kits

- Old Pump Unit numbers are still valid. However, to save on inventory we will no longer sell the old Pumps.
- The old Pump numbers have been converted to service kits that include the following...
 - New Pump
 - Replacement kit (80000998) including an Adapter Bracket (no longer used on new gates), grommets, hardware, and instructions required to install new Pump.

Other Miscellaneous Changes

- F-Series Pump Mount Plate hole pattern now matches C-Series Pump Mount Plate
- Manuals and PM's have been updated for these changes



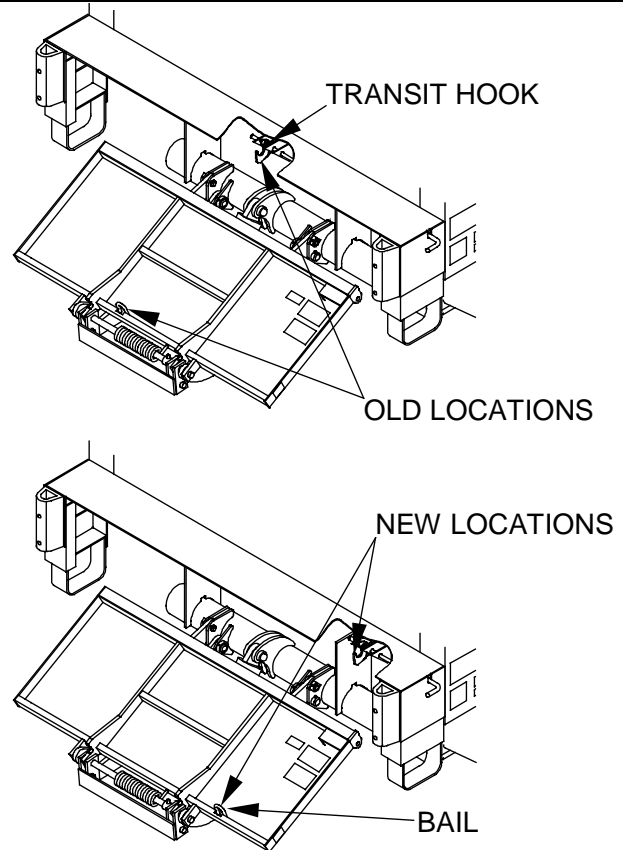
WALTCO TECH TIPS

Date: 5/30/03
No. TT030130
Model: F, C, and E Series
EO No. 5038

Bed Extension Consolidation

Waltco has consolidated Bed Extensions used on it's F, C, and E Series liftgates.

- Effective mid July, these gates will use the new design Bed Extension.
- This new Extension design is currently used on all E-30 liftgates.
- The new Extension has the Transit Hook shifted from the center to the curbside. The Platform Bail is also shifted to align with the Hook.
- Bed Extensions come in two (2) widths, one for 96" wide bodies, and one for 102" wide bodies.



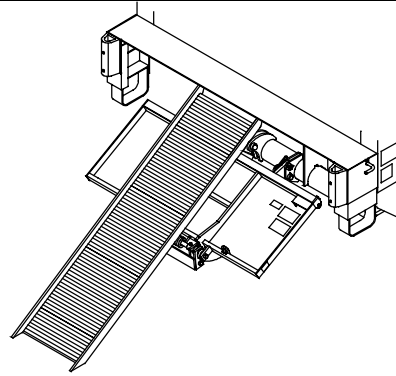
GR00374

Advantages:

- Reduced inventory
 - One Bed Extension for all F, C, and E liftgates.
- All C and E liftgates now compatible with walk-ramps.

Walk Ramp Compatible

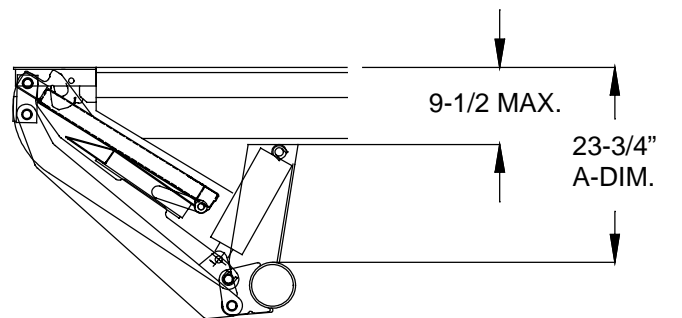
- C and E liftgates will now be compatible with walk-ramps.
- Use optional Walk-Ramp Installation Kit (part number 80000432).



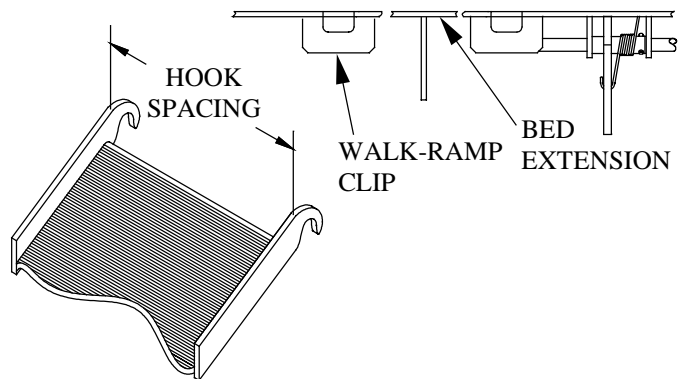
GR00375

Walk-Ramp Restrictions

- E-Series Liftgates have a maximum clearance for walk-ramp of 9-1/2". This is from top of floor to top of Cylinder Tower with maximum A-Dimension of 23-3/4".
- F-Series Liftgates are not compatible with walk-ramps. Walk-ramp clips would interfere with F-style Platforms when the Platform is open at bed level.
- C-Series Liftgates can only be used with walk-ramp hook spacings of 26" or greater.
- Can not be used with 21-3/4" hook spacing. C-Series Liftarms are too wide to fit between the ramp hook clips.



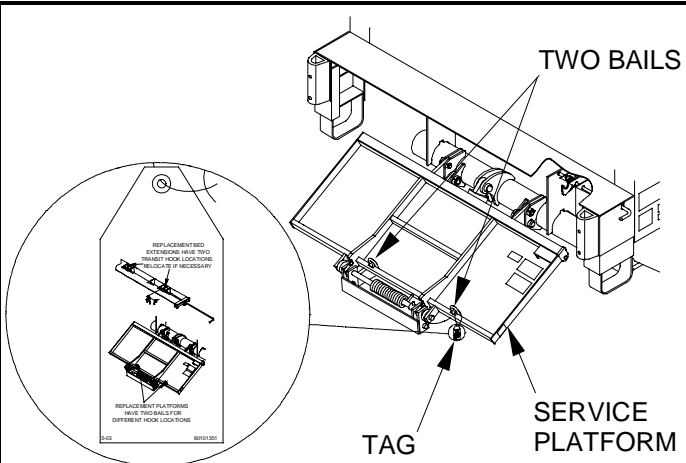
GR00376



GR00377

SERVICED PLATFORMS

- All Current F, C, and E Platform part numbers will be changed to service status.
- All serviced Platforms will receive a second Bail to make them compatible with both the old and new styles.
- Replacement Bed Extensions will have two available locations for the Transit hook also for old and new style compatibility
- Replacement Platforms and Bed Extensions will receive a tag explaining these changes



GR00378



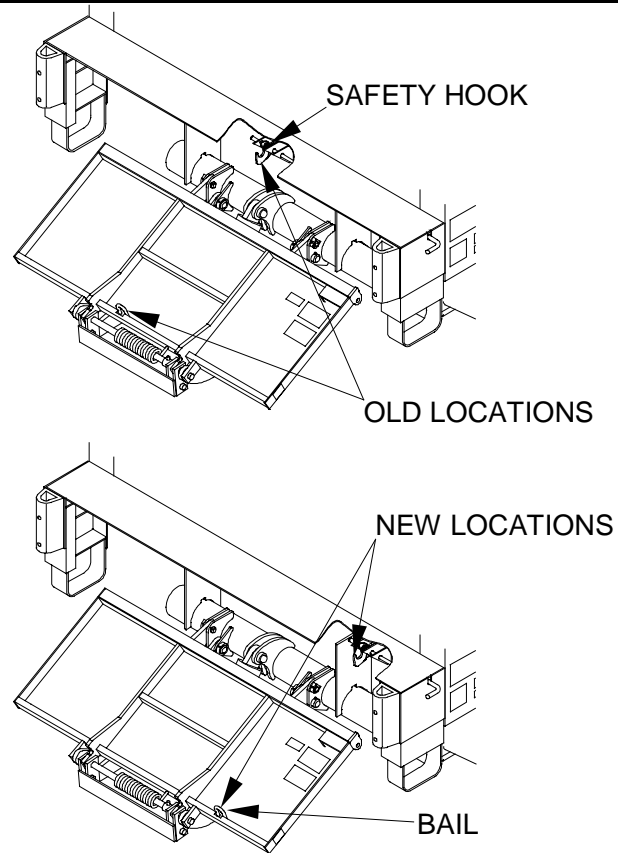
WALTCO TECH TIPS

Date: 5/30/03
No. TT030131
Model: F, C, and E Series
EO No. 5038

F, C, and E Deck Extension Consolidation

PURPOSE

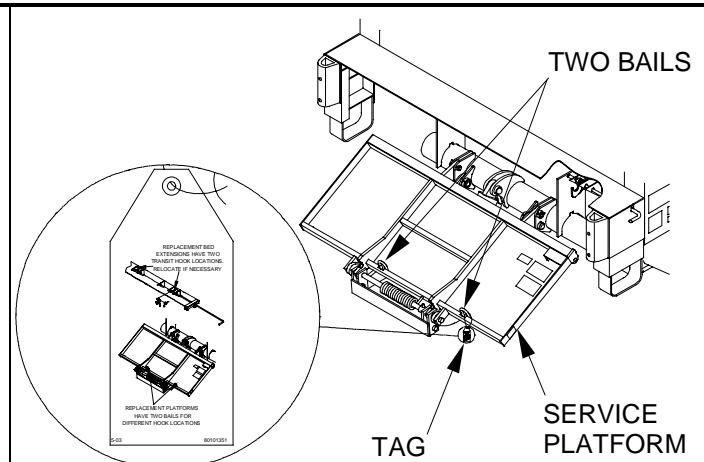
- In the past, our Flipaway liftgates have not been compatible with trucks that have walk-ramps.
- This issue was alleviated with a redesign of the E-30's Bed Extension that moved the Transit Hook and Bail on the underside of the Deck toward the curb side of the truck and out of the way of the walk-ramp
- To make more of our Flipaway liftgates walk-ramp compatible, as well as reduce inventory, the E-30 Bed Extension will now be used with all F, C, and E-series liftgates
- A chart is provided below as a part number reference regarding these changes



GR00341

SERVICED PLATFORMS

- All Current F, C, and E Platform and Bed Extension part numbers will be changed to service status. All E-25 and E-30 Platforms built after mid-July will use the service E-25 Decks as replacement Decks.
- All service Platforms will receive a second Bail to make them compatible with the old and new styles.
- Replacement Bed Extensions will have two available locations for the Transit hook.
- Replacement Platforms and Bed Extensions will have a tag explain these changes



GR00378

E-25/30 DECK CONSOLIDATION

E-25 and E-30 Main Deck Assemblies have been consolidated in the following manner...

- Wedge Main Deck Assemblies are now obsolete. Wedge Platform Assemblies will use standard Deck Assemblies with the Wedge Extension
- E-25 and E-30 now share the same Deck and Platform Assemblies

PART NUMBER REFERENCE CHART

SERIES	DESCRIPTION	OLD	NEW	SERVICE
ALL	BED EXTENSION 96"	26260006	26360001	26260006
	BED EXTENSION 102"	26260007	26360002	26260007
F-20	DECK ASSEMBLY, 26 X 72	20211004	20211014	20211004
F-30	DECK ASSEMBLY, 26 X 72	20311014	20311014	20311004
F-40	PLATFORM ASSEMBLY, 26 X 72 + 12	20410022	20410122	20410022
	PLATFORM ASSEMBLY, 38 X 72 + 4	20410034	20410134	20410034
	PLATFORM ASSEMBLY 42 X 72 BE	20410040	20410140	20410040
	PLATFORM ASSEMBLY 42 X 72 + 12	20410042	20410142	20410042
C-15/20/25	PLATFORM, CRM, 36X72 WEDGE	22110030	22110031	22110030
	PLATFORM, CRM, 36X84 WEDGE	22110040	22110041	22110040
	PLATFORM, CRM, 36X72 WEDGE, LB	22110050	22110051	22110050
	PLATFORM, CRM, 36X84 WEDGE, LB	22110060	22110061	22110060
	PLATFORM, CRM, 32X72+4	22110110	22110111	22110110
	PLATFORM, CRM, 32X84+4	22110120	22110121	22110120
	PLATFORM, CRM, 32X72+4, LB	22110170	22110171	22110170
	PLATFORM, CRM, 21X84+4, LB	22110180	22110181	22110180
E-25	PLATFORM ASSEMBLY 36 X 72 + 6	26210110	26310110	26210110
	PLATFORM ASSEMBLY 36 X 84 + 6	26210120	26310120	26210120
	PLATFORM ASSEMBLY 40 X 72 WEDGE	26210130	26310130	26210130
	PLATFORM ASSEMBLY 40 X 84 WEDGE	26210140	26310140	26210140
	DECK ASSEMBLY 24 X 72	26211001	26311001	26211001
	DECK ASSEMBLY 24 X 84	26211002	26311002	26211002
	DECK ASSEMBLY 24 X 72 WEDGE	26211003	26311001	26211003
E-30	DECK ASSEMBLY 24 X 84 WEDGE	26211004	26311002	26211002
	PLATFORM ASSEMBLY 36 X 72 + 6	26310110	26310110	26210110
	PLATFORM ASSEMBLY 40 X 72 WEDGE	26310130	26310130	26210130
	DECK ASSEMBLY 24 X 72 WEDGE	26311003	26311001	26211001



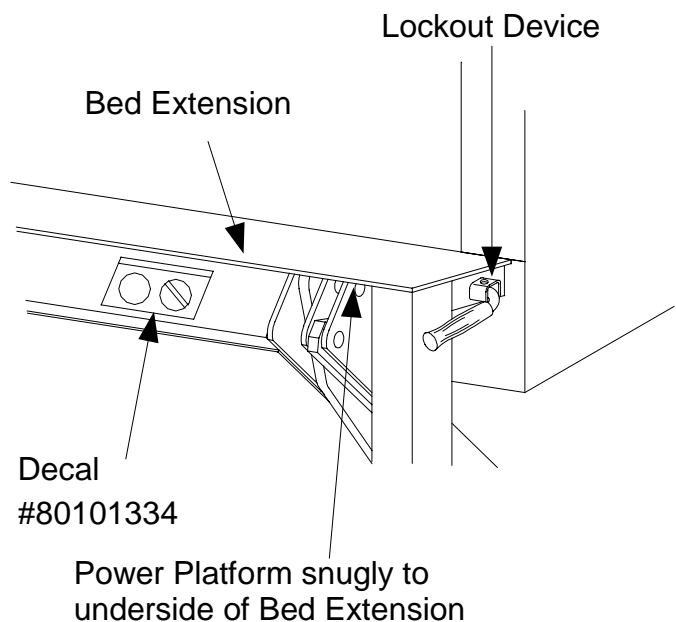
WALTCO TECH TIPS

Date: 7/22/03
No. 030138
Model: FLIPAWAY
EO No. 4917

SUBJECT: FLIPAWAY STORAGE INSTRUCTIONS

TO STORE LIFTGATE FOR TRANSIT

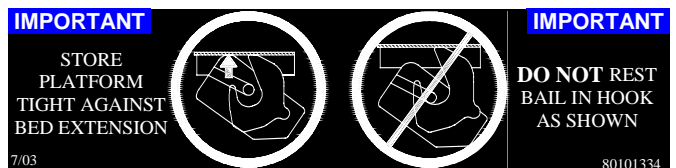
- Lower Platform to ground.
- Fold Platform.
- Raise Platform to transit position.
- Power Platform snugly to underside of Bed Extension.
- Insert a padlock into Lockout Device, if desired, to prevent unauthorized use of liftgate.



GR00180

AVAILABLE DECAL

- Decal 80101334 is available for F, C, E, and LPF Flipaway Liftgate
- The decal should be placed on the back of the Platform nearest the curb side of the truck (as shown above)



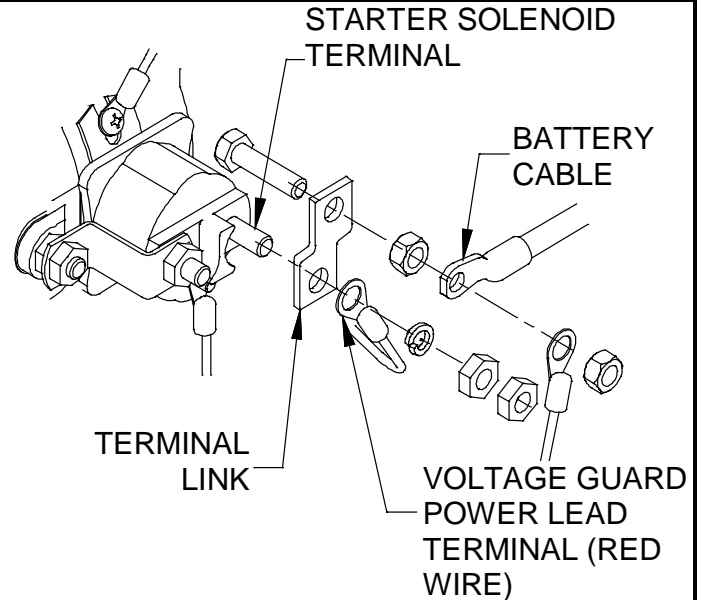


WALTCO TECH TIPS

Date: 8-22-03
No. TT030139
Model: All
EO No. NA

SUBJECT: Voltage Guard Connections

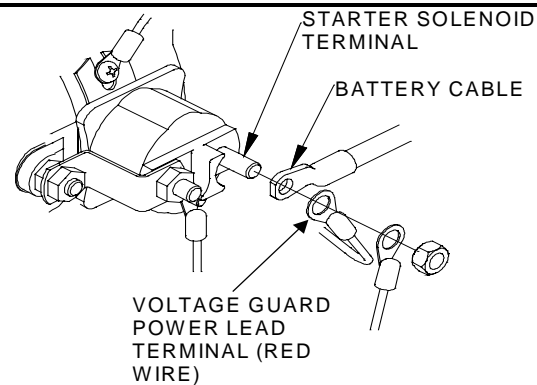
- If you encounter these symptoms in your controls: Motor won't run when Raise or Close switches are actuated, unless Voltage Guard is bypassed. No alarm from Voltage Guard. Before you assume that the Voltage Guard is defective, try this simple fix:
- WDL, RGL, OR WSL VERSION
- Disconnect Battery Cable, and swap the Power Lead to be above the Terminal Link, as shown. Replace Lock Washer and Nuts. Tighten Nut and Jam Nut to 8 foot-pounds.
- Reconnect Battery Cable, tighten to 25 foot-pounds. Use back-up wrench so that Terminal Link does not get moved.
- Retest controls. If still not working, Voltage Guard may be malfunctioning.
- How this works: When the ring terminal on the Power Lead is under the copper Terminal Link, or Battery Cable, it may shift or deform, allowing the connection to get loose. This can lead to a loss of electrical power to the Voltage Guard, which quits working. Putting the Power Lead Terminal on top of the Terminal Link or Battery Cable gives a large, flat surface, for a more secure connection.



GR00662

ALL OTHER LIFTGATES

- ✓ Disconnect Battery Cable
- ✓ Swap the Power Lead(s) to be above the Battery Cable, as shown. Replace Nut. Tighten Nut to 8 foot-pounds.
- ✓ Retest controls. If still not working, Voltage Guard may be malfunctioning.



GR00663



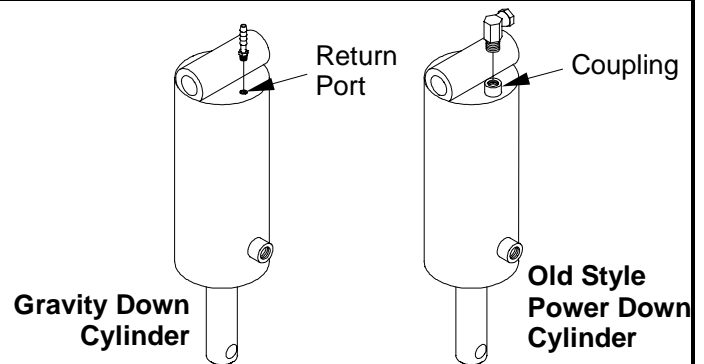
WALTCO TECH TIPS

Date: 9/15/03
No. TT030141
Model: F, E, & FSL
EO No. 4544

NEW STYLE POWER DOWN CYLINDERS

Power Down vs. Gravity Down Cylinders

- The Power Down and Gravity Down Cylinders are made from the same Cylinder.
- The only difference between the two is the Power Down Cylinder has a Coupling welded above the return port of the Cylinder.



GR00691

Cylinder Consolidation

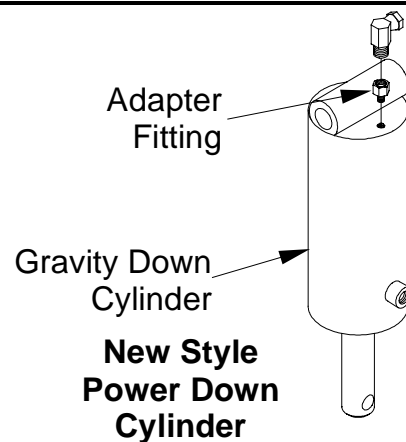
- Effective October 2003, Power Down Cylinders will become assemblies consisting of the following...
- Gravity Down Cylinder
- 1/4" F X 1/8" M Adapter Fitting (75083318)

Note: Power Down Cylinders will retain their current part numbers.

20280020
20280090

Service Parts:

New Power Down Cylinders are compatible with gates manufactured prior to October 2003, so new style Cylinders will replace old style.



GR00692



WALTCO TECH TIPS

Date: 10/31/03
No. TT030146
Model: All
EO No. NA

Lubrication of Reduced Maintenance Bushings

There has been information circulating that lubricants should not be used on the reduced maintenance bushings that Waltco utilizes. This includes both Hydrocarbon lubricants (conventional petroleum based products), and less common Fluorocarbon lubricants. Lubricants can be used with our bushings but an understanding of the advantages and disadvantages is needed.

Lubrication is inherent within the bushings we use and will not dry out. The bushings are impregnated with Teflon that transfers to the pin under load. External lubricants are filled with additives that provide the lubricity. The most common filler is Molybdenum Disulfide, which is commonly referred to as “Moly”. These additives can be microscopic hard particles that roll around between the pin and our bearing liner. This can under some conditions add to premature wear as opposed to adding no grease at all. There are times when grease is the culprit instead of the cure.

Neither the Hydrocarbon nor Fluorocarbon grease material would chemically under most conditions, be a problem for our bushings since our liner is very, very resistant to about all forms of chemical degradation and attack.

Although there is a science to grease, all the analytical work and theory goes out the window when grease is used in the field. The common tendency is to use what is cheap and on hand. This is the reason Waltco reduced maintenance bushings do not have grease fittings that allow just anything to be pumped into the bushing.

The disadvantage in applying an external lubricant is that over time, contaminants could migrate into the bushing creating an abrasive paste. Without the means to purge the old grease, heavy abrasives in the old grease could increase wear in the bushing. Our bushing is designed to handle some abrasives by imbedding them into the fiber lining to keep them away from the pin, but a clean lubricant will achieve the best results.

Once a bearing is greased with a quality lubricant, it can in some cases increase the performance of the bearing up to eight times as long as it is maintained with regular intervals of grease. In other words a non-reduced maintenance application, but possible longer life. This could be helpful in northern climates where salt and other de-icing

solutions are applied to roads. These contaminants can migrate into the bushing reducing the lubrication qualities.

For higher performance, a premium grease such as SuperLube Synthetic Grease with Synolon (PTFE) from McMaster Carr as part number 1378K33, or a number of DuPont Krytox products are available.

There are two choices that would work best for those end users that have a severe application where a lubricant can increase their bushing life. They can request an SP application where we can design pins that can be drilled for grease fittings. Or they can apply an anti-seize compound such as "Molypaste" to the pins. This usually lasts for long periods of time and resists penetration of road wash. An anti-seize compound containing metal oxides should not be used as they contain abrasives that can wear away at the bushing liner.

In either case the end user should be aware of proper lubrication methods to avoid getting the opposite effect they are trying to achieve.



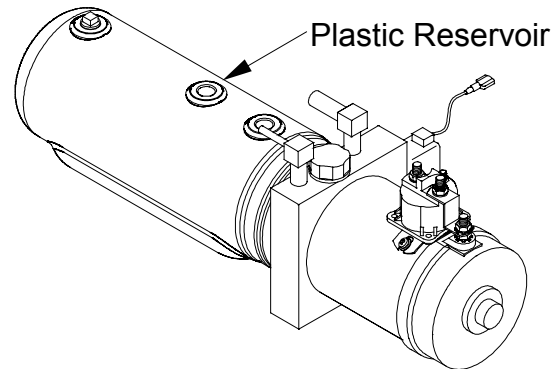
WALTCO TECH TIPS

Date: 1/16/04
No. TT040002
Model: F, C, & E
EO No. EO5130

SUBJECT: New Plastic Pump Reservoir for F, C, & E Series Effective March 2004

New Reservoir

- Beginning in March 2004, the F, C, & E Series of Liftgates will come with a Plastic Pump Reservoir
- There are many advantages associated with using a Plastic Reservoir



GR00824

Impact Resistance

- The new Plastic Reservoir has been Impact tested and is as strong or stronger than the Steel Reservoir

Corrosion Resistance

- Plastic is not effected by corrosive agents such as road salt

Transparency

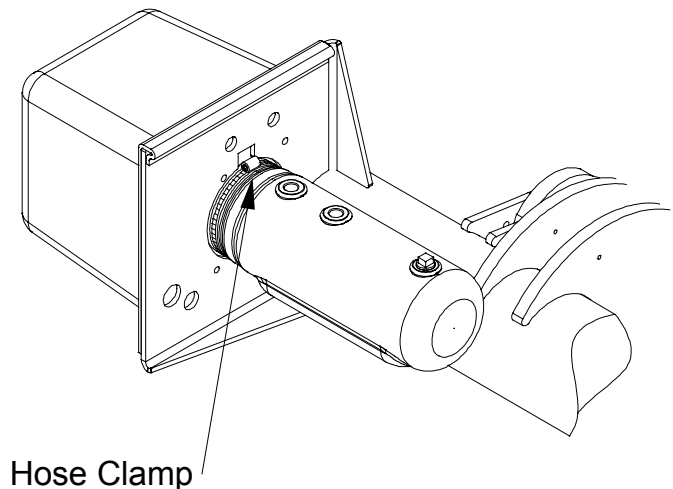
- The Reservoir is translucent, making it easy to see the fluid level in the Reservoir
- Makes checking fluid level easier than with a Sight Glass and requires no removal of Cover or Fluid Fill Cap

Replacement/Cleaning

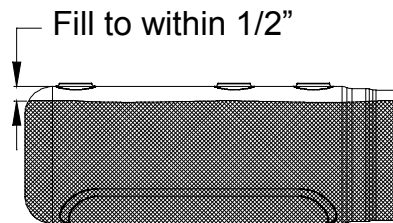
- The Reservoir is attached using a Hose Clamp
- Makes removing the Reservoir for replacement or cleaning easier

Reduced Condensation

- Plastic Reservoirs have less tendency to create condensation than steel in cold weather



Hose Clamp



GR00825

Tallmadge

Ser No	Date
108000	01/83
109000	03/83
120000	05/83
121000	07/83
122000	09/83
123000	10/83
124000	12/83
125000	01/85
126000	02/84
127000	04/84
128000	05/84
129000	06/84
140000	08/84
141000	09/84
142000	10/84
143000	11/84
144000	12/84
145000	02/85
146000	03/85
147000	05/85
148000	06/85
149000	07/85
160000	09/85
161000	10/85
162000	11/85
163000	01/86
164000	02/86
165000	03/86
166000	04/86
167000	06/86
168000	06/86
169000	08/86
180000	10/86
181000	11/86
182000	12/86
183000	01/87
184000	03/87
185000	04/87
186000	05/87
187000	06/87
188000	07/87
189000	09/87
200000	10/87
201000	11/87
202000	01/88
203000	02/88
204000	03/88
205000	04/88
206000	05/88

Ser No	Date
207000	07/88
208000	08/88
209000	10/88
220000	11/88
221000	12/88
222000	01/89
223000	03/89
224000	04/89
225000	05/89
226000	06/89
227000	08/89
228000	10/89
229000	11/89
240000	01/90
241000	02/90
242000	07/90
243000	04/90
244000	05/90
245000	07/90
246000	09/90
247000	12/90
248000	12/90
249000	02/91
260000	04/91
261000	05/91
262000	08/91
263000	10/91
264000	12/91
265000	02/92
266000	03/92
267000	05/92
268000	06/92
269000	08/92
280000	09/92
281000	11/92
282000	12/92
283000	02/93
284000	03/93
285000	04/93
286000	06/93
287000	07/93
288000	08/93
289000	10/93
300000	11/93
301000	02/94
302000	02/94
303000	03/94
304000	04/94
305000	05/94

Ser No	Date
306000	08/94
307000	09/94
308000	10/94
309000	10/94
320000	12/94
321000	01/95
322000	03/95
323000	04/95
324000	06/95
325000	07/95
326000	09/95
327000	09/95
328000	11/95
329000	01/96
340000	02/96
341000	03/96
342000	04/96
343000	05/96
344000	07/96
345000	08/96
346000	10/96
347000	12/96
348000	03/97
349000	03/97
360000	04/97
361000	05/97
362000	06/97
363000	07/97
364000	08/97
365000	10/97
366000	11/97
367000	12/97
368000	01/98
369000	06/98
380000	03/98
381000	06/98
382000	06/98
383000	08/98
384000	08/98
385000	11/98
386000	12/98
387000	12/98
388000	01/99
389000	04/99
400000	02/99
401000	03/99
402000	05/99
403000	05/99
404000	06/99

Ser No	Date
405000	08/99
406000	08/99
407000	10/99
408000	11/99
409000	11/99
420000	12/99
421000	12/99
422000	04/00
423000	03/00
424000	03/00
425000	04/00
426000	05/00
427000	07/00
428000	08/00
429000	08/00
440000	09/00
441000	11/00
442000	12/00
443000	02/01
444000	04/01
445000	05/01
446000	09/01
447000	09/01
448000	11/01
449000	01/02
460000	04/00
461000	05/02
462000	06/02
463000	09/02
464000	10/02
465000	12/02
466000	01/03
467000	02/03
468000	05/03
469000	05/03
480000	07/03
481000	08/03
482000	10/03
483000	11/03
484000	01/04
485000	02/04
486000	02/04
487000	03/04

***All Serial Number
Dates are approximate**

Gardena

Ser No	Date
116000	01/83
117000	05/83
118000	09/83
119000	12/83
130000	03/84
131000	05/84
132000	07/84
133000	10/84
134000	12/84
135000	03/85
136000	04/85
137000	07/85
138000	10/85
139000	11/85
150000	03/86
151000	05/86
152000	09/86
153000	12/86
154000	03/87
155000	05/87
156000	07/87
157000	10/87
158000	11/87
159000	12/87
170000	02/88
171000	04/88

Ser No	Date
172000	06/88
173000	08/88
174000	10/88
175000	11/88
176000	01/89
177000	03/89
178000	04/89
179000	07/89
190000	09/89
191000	11/89
192000	01/90
193000	03/90
194000	05/90
195000	07/90
196000	10/90
197000	12/90
198000	03/91
199000	06/91
210000	09/91
211000	12/91
212000	04/92
213000	06/92
214000	09/92
215000	12/92
216000	02/93
217000	05/93

Ser No	Date
218000	08/93
219000	12/93
230000	02/94
231000	05/94
232000	08/94
233000	10/94
234000	12/94
235000	02/95
236000	05/95
237000	08/95
238000	11/95
239000	01/96
250000	03/96
251000	06/96
252000	09/96
253000	12/96
254000	03/97
255000	05/97
256000	08/97
257000	10/97
258000	01/98
259000	03/98
270000	05/98
271000	07/98
272000	10/98

Ser No	Date
273000	12/98
274000	02/99
275000	04/99
276000	06/99
277000	08/99
278000	10/99
279000	12/99
290000	02/00
291000	04/00
292000	06/00
293000	08/00
294000	11/00
295000	02/01
296000	05/01
297000	07/01
298000	09/01
299000	01/02
310000	04/02
311000	07/02
312000	10/02
313000	01/03
314000	04/03
315000	07/03
316000	11/03
317000	03/04

***All Serial Number Dates are approximate**

Shipped From Warehouses

Marietta (Georgia)

Ser No	Date
M1000	12/87
M1100	12/88
M1500	04/89
M2000	03/90
M2500	12/90
M3000	09/91
M3500	07/92
M4000	04/93
M4500	02/94
M5000	06/94
M5500	11/94
M6000	04/95
M6500	09/95
M7000	04/96
M7500	10/96
M8000	04/97
M8500	09/97

Ser No	Date
M9000	02/98
M9500	06/98
M10000	09/98
M10500	01/99
M11000	04/99
M11500	08/99
M12000	01/00
M12500	09/00
M13000	10/00
M13500	02/01
M14000	07/01
M14500	01/02
M15000	06/02
M15500	01/03
M16000	07/03
M16500	11/03
M17000	03/04

Others

Ser No	Date
D1000	01/91
D2000	06/92
D3000	03/94
D4000	03/95
D5000	11/96
D6000	04/98
D7000	04/99
F1000	02/00
S1000	04/00
A1000	04/00
T8000	05/00
T9000	09/02