



# WALTCO NAVIGATOR™

## LIFTGATE PARTS AND MAINTENANCE GUIDE

### MDR and MDR RM

Click the appropriate link below for the major component of the liftgate for which you are trying to find the correct part. If you are unsure of the name of the part in Waltco terminology, click the "Liftgate Terminology" link and it will take you to a document showing a picture of the liftgate with the common Waltco names for each of the parts.

#### [MDR Liftgate Terminology](#)

[Main Frame Assembly](#)

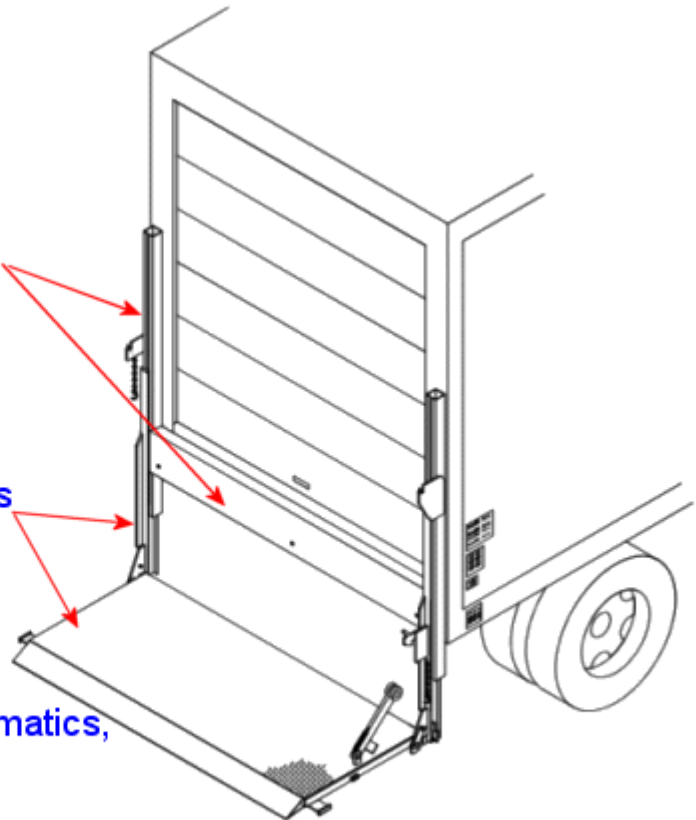
[Platform and Runners](#)

[Hydraulic Layouts,  
Electrical Layouts and Schematics,  
Pumps, and Cylinders](#)

[Built prior to 2-94](#)

[Built from 2-94](#)

[Tech Tips](#)



© 2004 Waltco Truck Equipment Co. All rights reserved.

**MDR  
and  
MDR RM**



# LIFTGATE TERMINOLOGY

- |                                |                                     |
|--------------------------------|-------------------------------------|
| 1. Crossbeam Box               | 15. Slide Bearing                   |
| 2. Rail                        | 16. Shoe Assembly                   |
| 3. Platform Latch Assembly     | 17. Lifting Chain                   |
| 4. Specification Tag           | 18. Chain Anchor                    |
| 5. Latch Chain Assembly        | 19. Hydraulic Cylinder              |
| 6. Super Switch                | 20. Hydraulic Hose                  |
| 7. Switch Mount Assembly       | 21. Pump Unit                       |
| 8. Polymer Runner Bearing      | A. Pump Unit Reservoir              |
| 9. Runner Assembly             | B. Pump Unit Motor                  |
| 10. Hinge Pin                  | 22. Sprocket Assembly (Above Floor) |
| 12. Cam Follower               | 23. Chain Guard                     |
| 11. Platform Retainer Assembly | 24. Cam Follower                    |
| 12. Platform Assembly          |                                     |
| 13. Torsion Bar                |                                     |
| 14. Access Cover               |                                     |

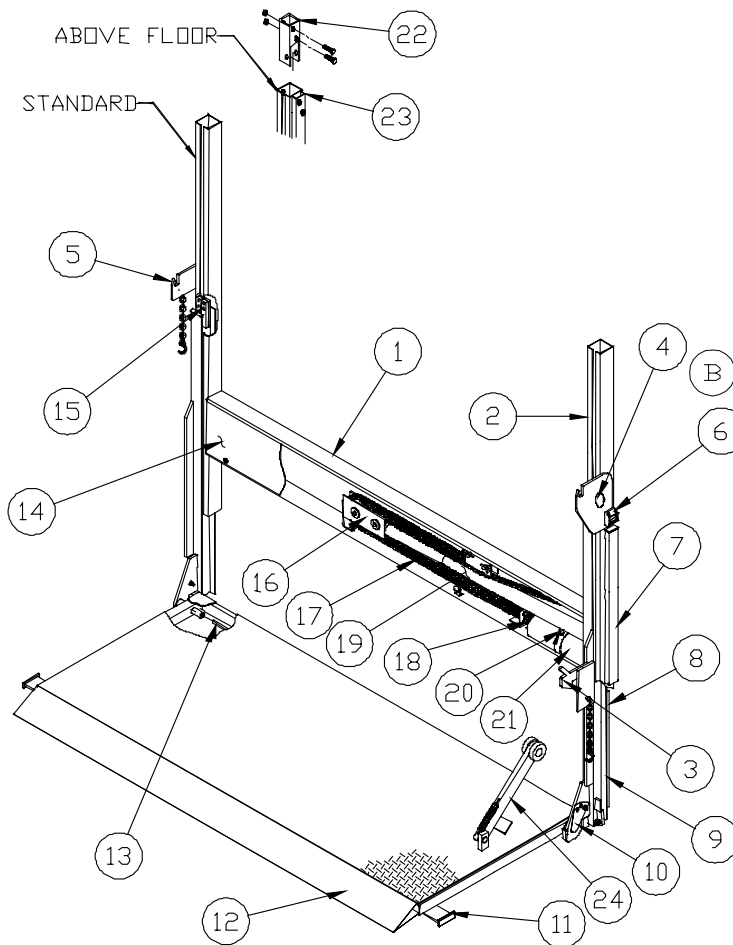


Fig. 1

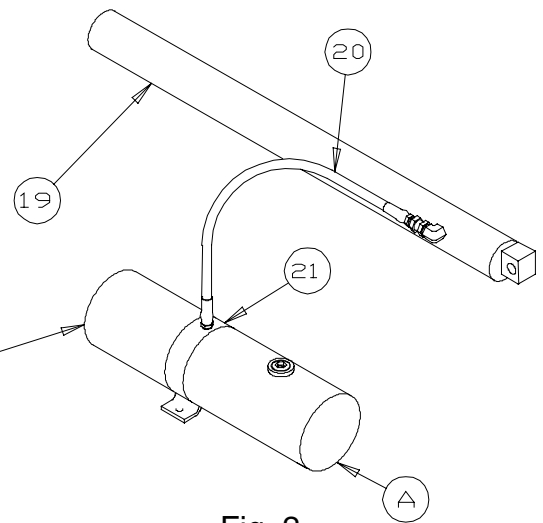
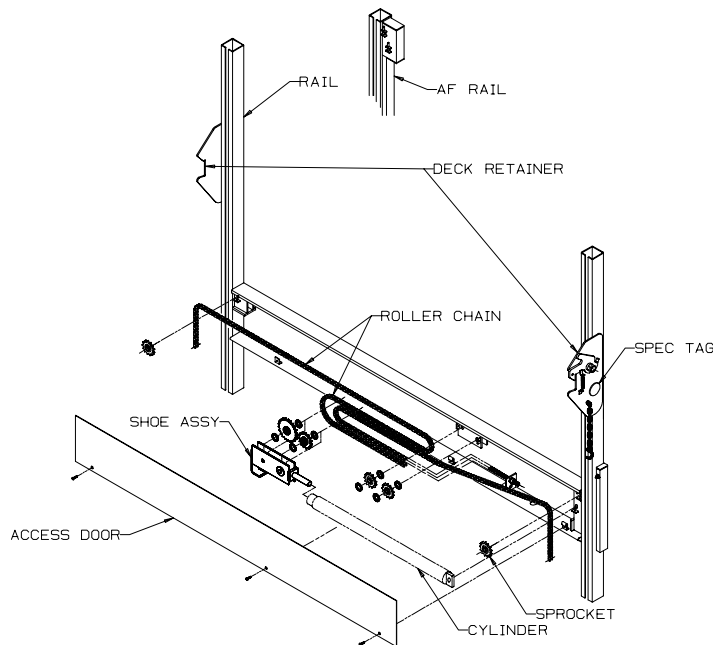


Fig. 2

# MDR MAIN-FRAME ASSEMBLY

## Manual Closing and Cam Assisted Closing Platforms

### (Built thru 3-00)



#### Common Features

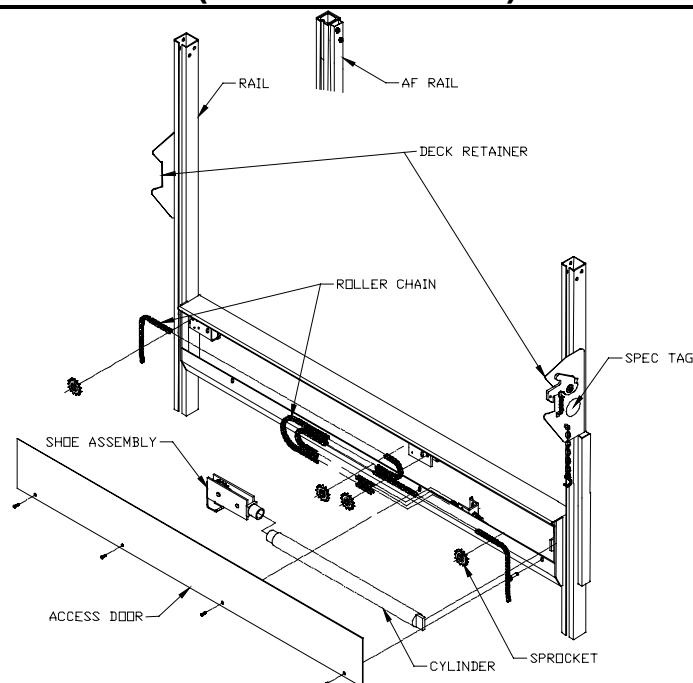
- Capacity decal: 1250 and 1600 pounds
- Chain and sprocket drive
- Horizontal cylinder
- Access door
- Deck retainer assembly
- Optional Tail Lights in Access Door
- 3" x 3" rails
- Steel rails
- Above floor optional (AF)
- Spec tag on deck retainer
- Cam Assisted Closing (Available as an option from 1-98)

| MDR SERIES   |  | MDR SERIES with CAM CLOSE                          |  |
|--|--|--|--|
| <b>MDR-125, 160</b>  | <b>MDR-125AF, 160AF</b>  | <b>MDR-125C, 160C</b>                              | <b>MDR-125AFC, 160AFC</b>                          |
| <p><b>PM-233C</b><br/>Built thru 7/92</p> <p><b>PM-233D</b><br/>Built from 7/92 thru 5/95</p> <p><b>PM-233</b><br/>Built from 5/95 thru 3/00</p> | <p><b>PM-234B</b><br/>Built thru 7/92</p> <p><b>PM-234C</b><br/>Built from 7/92 thru 5/95</p> <p><b>PM-234</b><br/>Built from 5/95 thru 3/00</p> | <p><b>PM-460</b><br/>Built from 1/98 thru 3/00</p> | <p><b>PM-461</b><br/>Built from 1/98 thru 3/00</p> |
| <b>Optional Taillights</b><br><b>PM-260</b>  | <b>Optional Taillights</b><br><b>PM-260</b>  | <b>Optional Taillights</b><br><b>PM-260</b>        | <b>Optional Taillights</b><br><b>PM-260</b>        |

# MDRRM MAIN-FRAME ASSEMBLY

## Manual Closing Platforms

### (Built from 3-00)

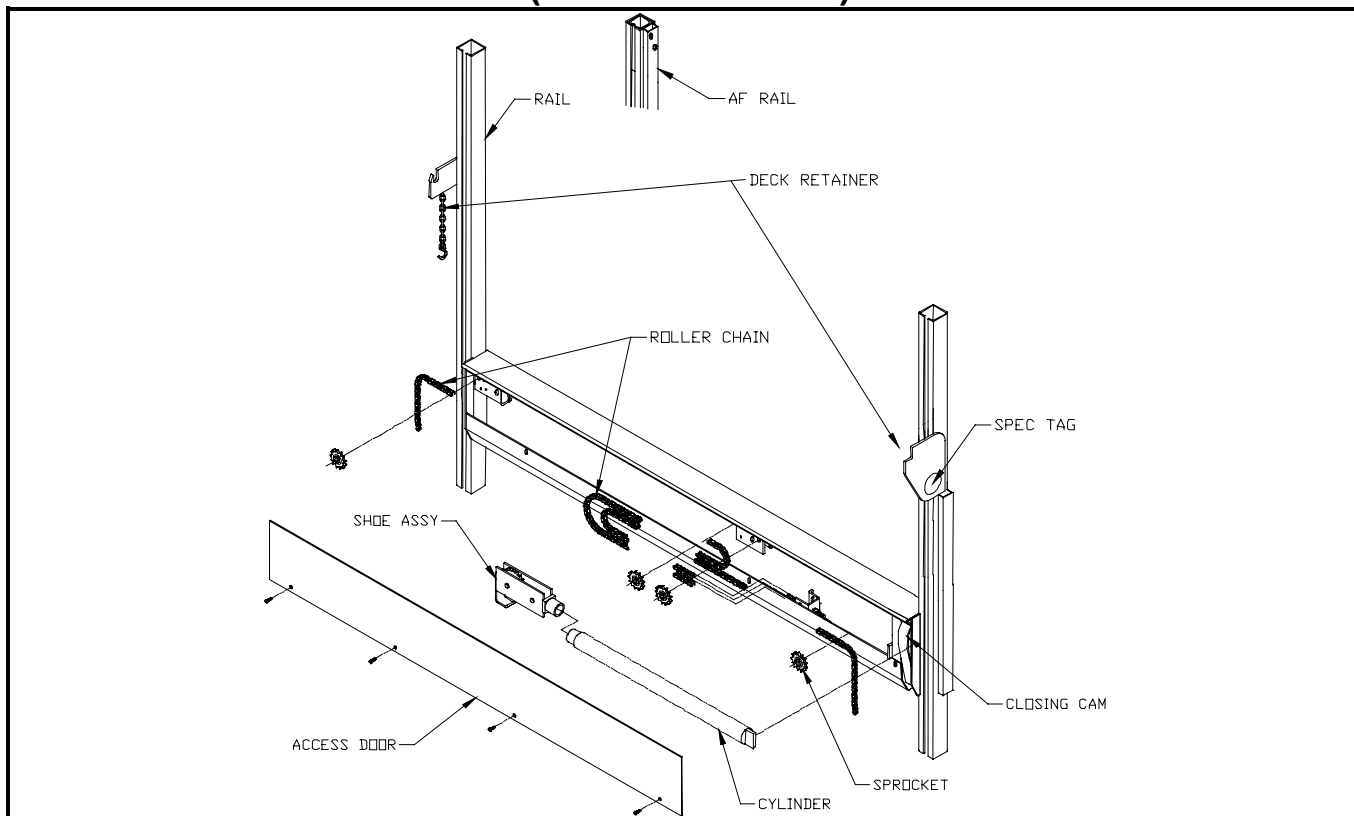


#### Common Features

- Capacity decal: 1250, 1600, and 2000 pounds (2000 available after 11/00)
- Chain and sprocket drive
- Horizontal cylinder
- Access door
- Deck retainer assembly
- 3" x 3" rails
- Steel rails
- Above floor optional (AF)
- Spec tag on deck retainer
- Optional Tail Lights Under Crossbeam

| MDRRM-125, 160  | MDRRM-125AF, 160AF  | MDRRM-200   | MDRRM-200AF   |
|---|---|---|---|
| <p><b>PM-233E</b><br/>Built from 3/00 thru 9/00</p> <p><b>PM-233F</b><br/>Built from 9/00 thru 1/02</p> <p><b>PM-233A</b><br/>Built from 1/02 thru 5/03</p> <p><b>PM-233B</b><br/>Built from 5/03</p> | <p><b>PM-234D</b><br/>Built from 3/00 thru 9/00</p> <p><b>PM-234E</b><br/>Built from 9/00 thru 1/02</p> <p><b>PM-234A</b><br/>Built from 1/02</p> | <p><b>PM-549B</b><br/>Built from 11/00 thru 1/02</p> <p><b>PM-549</b><br/>Built from 1/02 thru 5/03</p> <p><b>PM-549A</b><br/>Built from 5/03</p> | <p><b>PM-550A</b><br/>Built from 11/00 thru 1/02</p> <p><b>PM-550</b><br/>Built from 1/02</p> |
| <p><b>Optional Taillights</b><br/><b>PM-531</b></p>   | <p><b>Optional Taillights</b><br/><b>PM-531</b></p>   | <p><b>Optional Taillights</b><br/><b>PM-531</b></p>   | <p><b>Optional Taillights</b><br/><b>PM-531</b></p>   |

## MDRRM MAIN-FRAME ASSEMBLY Cam Assisted Closing Platforms (Built from 3-00)

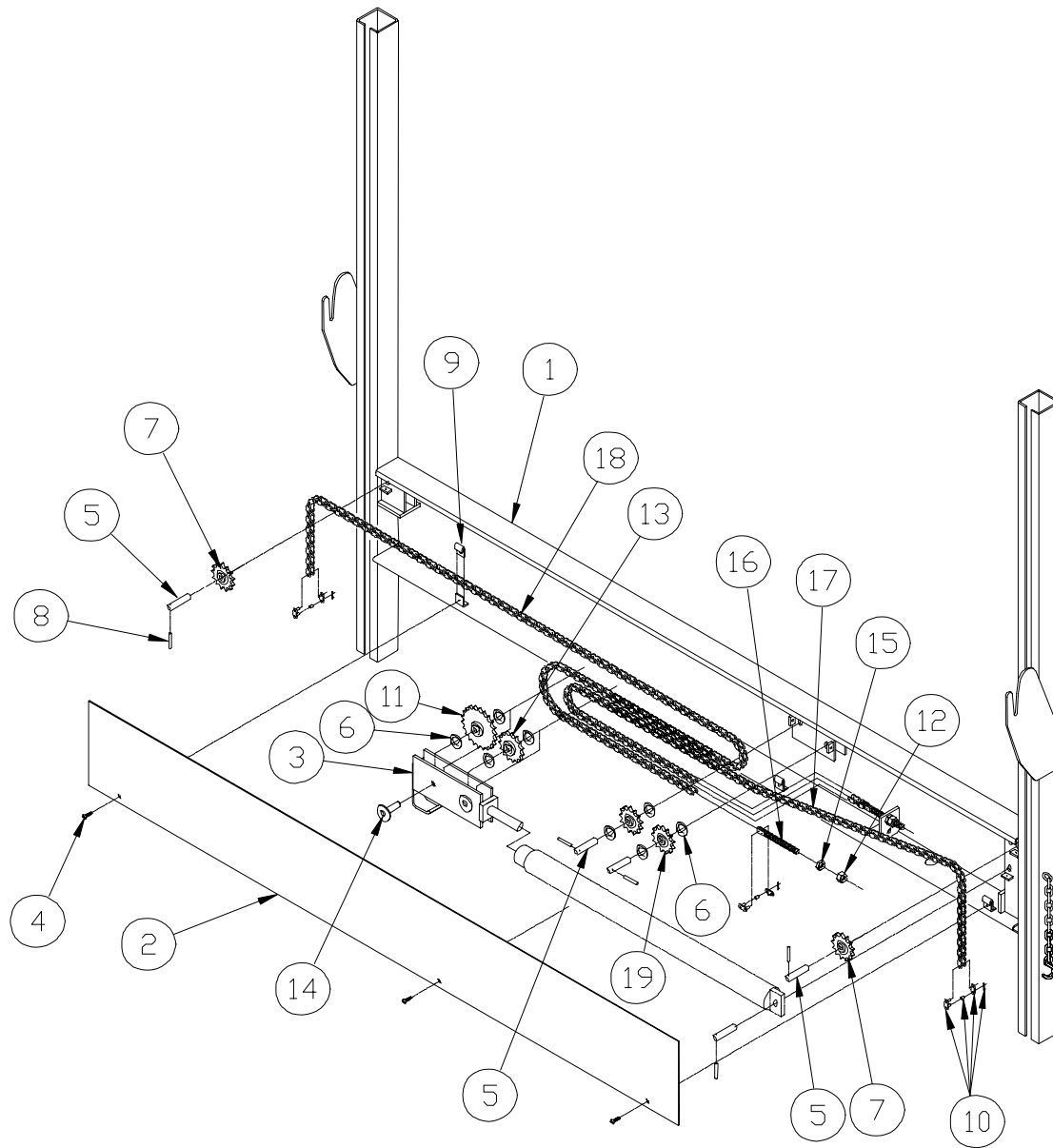


### Common Features

- Capacity decal: 1250 and 1600 pounds
- Chain and sprocket drive
- Horizontal cylinder
- Access door
- Deck retainer assembly
- 3" x 3" rails
- Steel rails
- Above floor optional (AF)
- Spec tag on deck retainer
- Cam Assisted Closing
- Optional Tail Lights under Crossbeam

| <b>MDRRM-125C, 160C</b>  | <b>MDRRM-125AFC, 160AFC</b>   |
|--|---|
| <p style="text-align: center; color: blue;"><b>PM-460C</b><br/>Built from 3/00 thru 9/00</p> <p style="text-align: center; color: blue;"><b>PM-460D</b><br/>Built from 9/00 thru 1/02</p> <p style="text-align: center; color: blue;"><b>PM-460A</b><br/>Built from 1/02 thru 5/03</p> <p style="text-align: center; color: blue;"><b>PM-460B</b><br/>Built from 5/03 thru 12/03</p> <p style="text-align: center; color: blue;"><b>PM-460E</b><br/>Built from 12/03</p> | <p style="text-align: center; color: blue;"><b>PM-461B</b><br/>Built from 3/00 thru 9/00</p> <p style="text-align: center; color: blue;"><b>PM-461C</b><br/>Built from 9/00 thru 1/02</p> <p style="text-align: center; color: blue;"><b>PM-461A</b><br/>Built from 1/02 thru 12/03</p> <p style="text-align: center; color: blue;"><b>PM-461D</b><br/>Built from 12/03</p> |
| <p><b>Optional Taillights</b><br/><b>PM-531</b></p>  | <p><b>Optional Taillights</b><br/><b>PM-531</b></p>   |

# MAIN FRAME ASSEMBLY



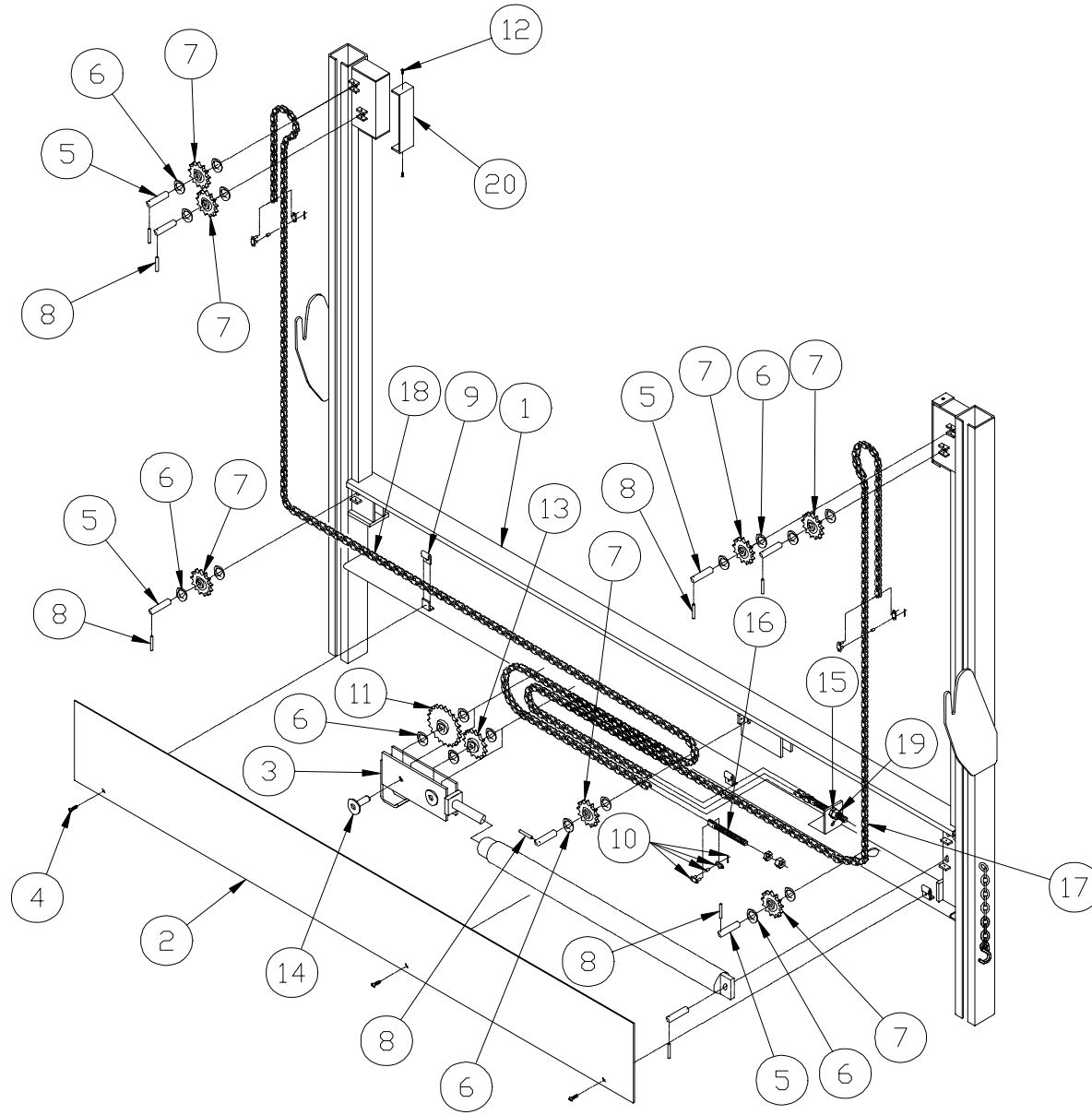
**WALTCO**  
**TRUCK EQUIPMENT CO.**  
**MDR-125, 160**

REVISED: 12/1/03  
 E.O. 5221  
 REV. 01

**PM-233C**

| ITEM | PART NUMBER | QTY | DESCRIPTION                         |
|------|-------------|-----|-------------------------------------|
| 1    | 33020000    | 1   | Mount Frame Assembly (MDR-125 Only) |
|      | 33520000    | 1   | Mount Frame Assembly (MDR-160 Only) |
| 2    | 33020100    | 1   | Access Door (MDR-125 Only)          |
|      | 33520100    | 1   | Access Door (MDR-160 Only)          |
| 3    | 33027000    | 1   | Shoe Assembly                       |
| 4    | 75087585    | 3   | 3/8"-16 x 1" Truss Head Screw       |
| 5    | 33070600    | 5   | Sprocket Pin                        |
| 6    | 75081223    | 14  | Bronze Washer                       |
| 7    | 33028040    | 2   | 13 Tooth Sprocket with Bearing      |
| 8    | 75089553    | 5   | Coiled Pin                          |
| 9    | 75085165    | 3   | Nut Retainer                        |
| 10   | 80000419    | 4   | Connecting Link Assembly            |
| 11   | 33028030    | 1   | 22 Tooth Sprocket with Bearing      |
| 12   | 75085184    | 2   | 5/8"-18 Special Locknut             |
| 13   | 33028020    | 1   | 15 Tooth Sprocket with Bearing      |
| 14   | 33027500    | 2   | Shoe Pin Assembly                   |
| 15   | 75085111    | 2   | 5/8"-18 Hex Nut                     |
| 16   | 33073000    | 2   | Chain Anchor Assembly               |
| 17   | 33072600    | 1   | #50 Roller Chain                    |
| 18   | 33072650    | 1   | #50 Roller Chain (MDR-125 Only)     |
|      | 33572650    | 1   | #50 Roller Chain (MDR-160 Only)     |
| 19   | 33028010    | 2   | 13 Tooth Sprocket with Bearing      |

# MAIN FRAME ASSEMBLY



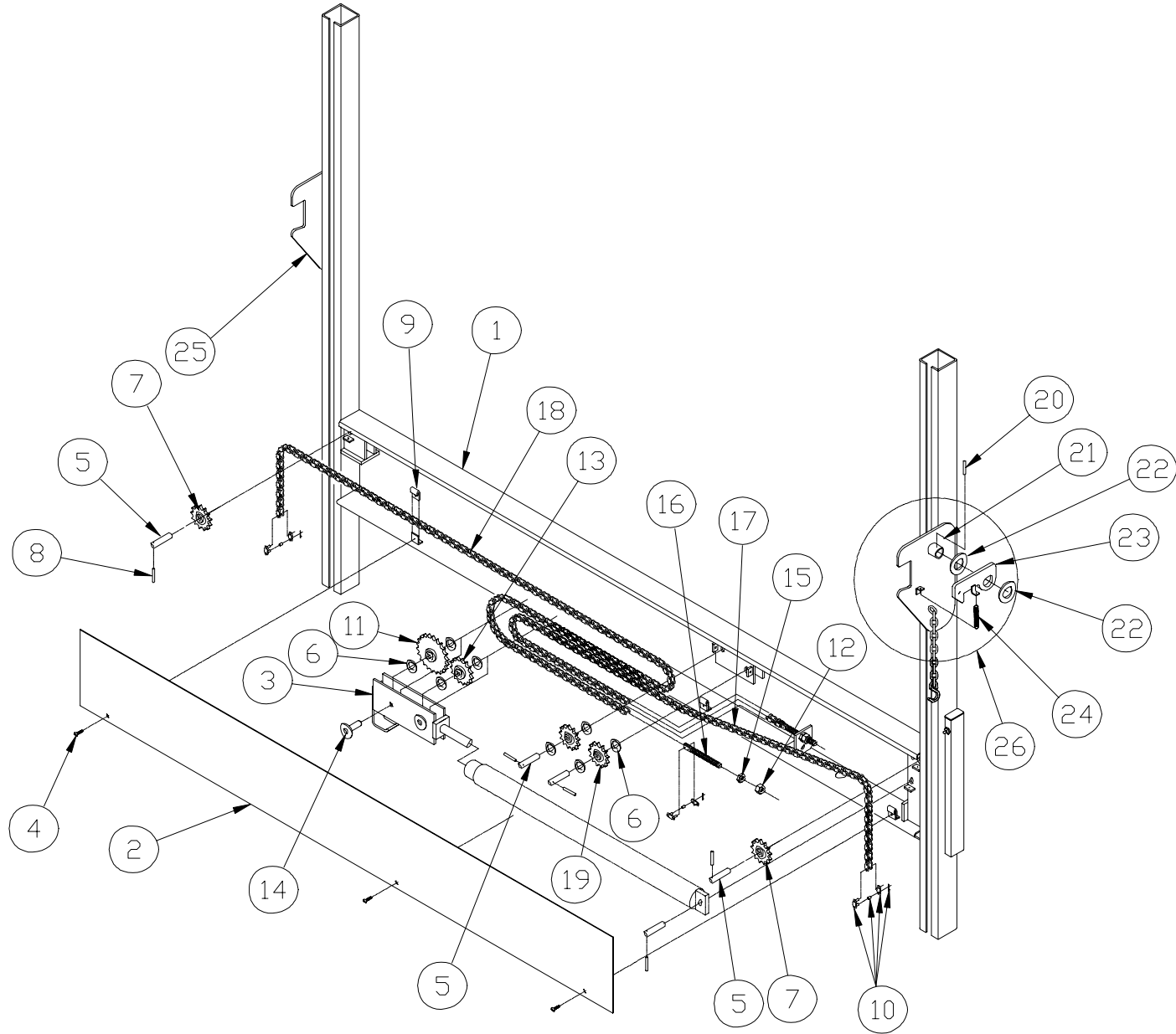
**WALTCO**  
**TRUCK EQUIPMENT CO.**  
**MDR-125 AF, 160 AF**

REVISED: 12/1/03  
 E.O. 5221  
 REV. 01

**PM-234B**

| ITEM | PART NUMBER | QTY | DESCRIPTION                                |
|------|-------------|-----|--|
| 1    | 33120000    | 1   | Mount Frame Assy (MDR-125AF Only)          |
|      | 33620000    | 1   | Mount Frame Assy (MDR-160AF Only)          |
| 2    | 33020100    | 1   | Access Door (MDR-125AF Only)               |
|      | 33520100    | 1   | Access Door (MDR-160AF Only)               |
| 3    | 33027000    | 1   | Shoe Assembly                              |
| 4    | 75087585    | 1   | 3/8"-16 x 1" Truss Head Screw              |
| 5    | 33070600    | 8   | Sprocket Pin                               |
| 6    | 75081223    | 14  | Bronze Washer                              |
| 7    | 33028010    | 7   | 13 Tooth Sprocket with Bearing             |
| 8    | 75089553    | 8   | Coiled Pin                                 |
| 9    | 75085165    | 3   | Nut Retainer                               |
| 10   | 80000419    | 4   | Connecting Link Assembly                   |
| 11   | 33028030    | 1   | 22 Tooth Sprocket with Bearing             |
| 12   | 75086852    | 4   | #8-32 x 3/8" Self Tapping Screw            |
| 13   | 33028020    | 1   | 15 Tooth Sprocket with Bearing             |
| 14   | 33027500    | 2   | Shoe Pin Assembly                          |
| 15   | 75085111    | 2   | 5/8"-18 Hex Nut                            |
| 16   | 33073000    | 2   | Chain Anchor Assembly                      |
| 17   | 33173501    | 1   | #50 Roller Chain Assembly                  |
| 18   | 33173551    | 1   | #50 Roller Chain Assembly (MDR-125AF Only) |
|      | 33673551    | 1   | #50 Roller Chain Assembly (MDR-160AF Only) |
| 19   | 75085184    | 2   | 5/8"-18 Special Locknut                    |
| 20   | 33176100    | 2   | Sprocket Cover                             |

# MAIN FRAME ASSEMBLY



**WALTCO**  
**TRUCK EQUIPMENT CO.**  
**MDR-125, 160**

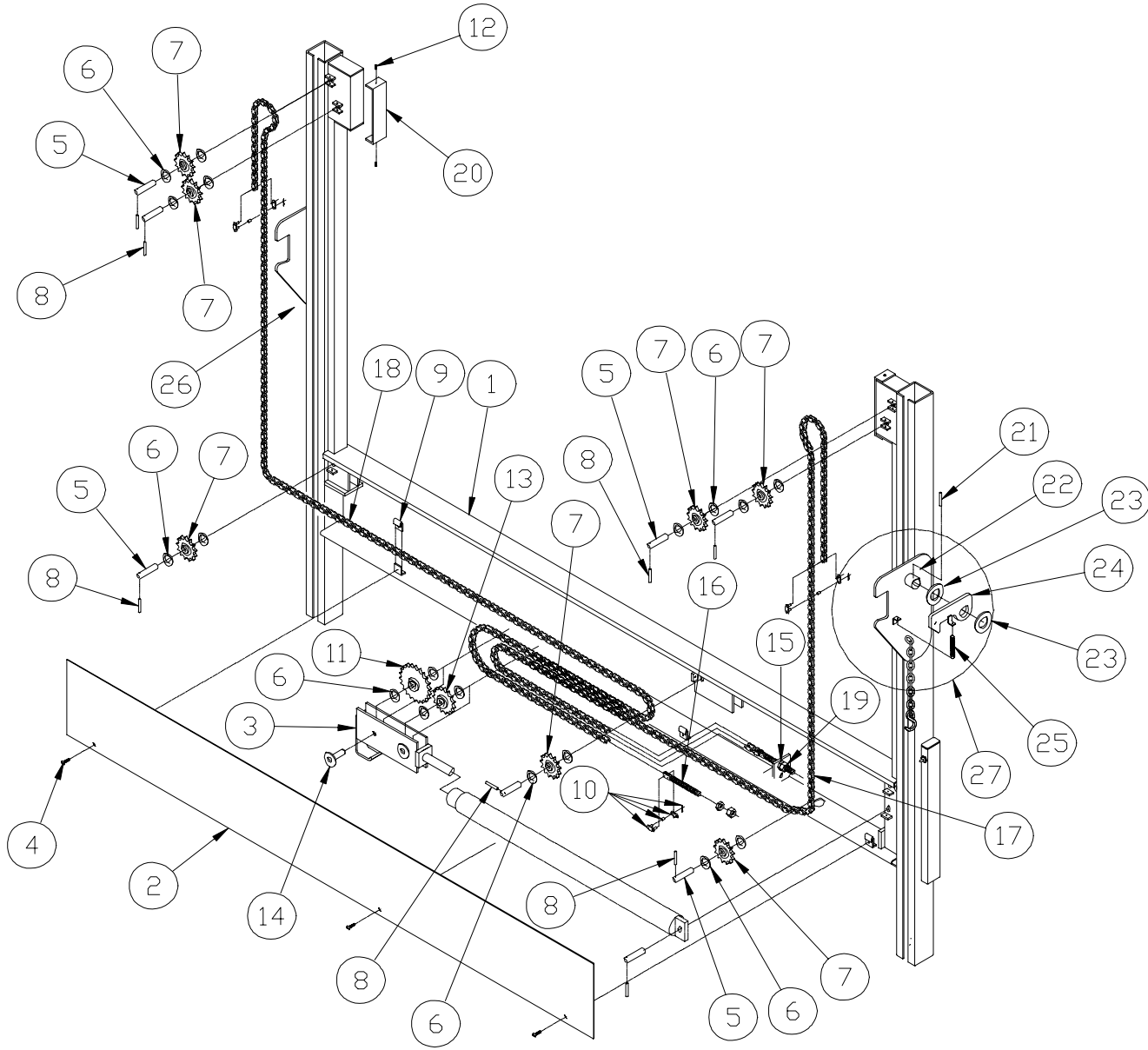
REVISED: 12/1/03  
 E.O. 5221  
 REV. 01

**PM-233D**

| ITEM | PART NUMBER | QTY | DESCRIPTION                                     |
|------|-------------|-----|---|
| 1    | 33520000    | 1   | Mount Frame Assembly (94" Over-All Frame Width) |
|      | 33520010    | 1   | Mount Frame Assembly (90" Over-All Frame Width) |
|      | 33520020    | 1   | Mount Frame Assembly (86" Over-All Frame Width) |
| 2    | 33520100    | 1   | Access Door (94" Over-All Frame Width)          |
|      | 33020100    |     | Access Door (90" Over-All Frame Width)          |
|      | 33520200    |     | Access Door (86" Over-All Frame Width)          |
| 3    | 33027000    | 1   | Shoe Assembly                                   |
| 4    | 75087585    | 3   | 3/8"-16 x 1" Truss Head Screw                   |
| 5    | 33070600    | 5   | Sprocket Pin                                    |
| 6    | 75081223    | 14  | Bronze Washer                                   |
| 7    | 33028040    | 2   | 13 Tooth Sprocket with Bearing                  |
| 8    | 75089553    | 5   | Coiled Pin                                      |
|      | 75085165    | 3   | Nut Retainer                                    |
| 10   | 80000419    | 4   | Connecting Link Assembly                        |
| 11   | 33028030    | 1   | 22 Tooth Sprocket with Bearing                  |
| 12   | 75085184    | 2   | 5/8"-18 Special Locknut                         |
| 13   | 33028020    | 1   | 15 Tooth Sprocket with Bearing                  |
| 14   | 33027500    | 2   | Shoe Pin Assembly                               |
| 15   | 75085111    | 2   | 5/8"-18 Hex Nut                                 |
| 16   | 33073000    | 2   | Chain Anchor Assembly                           |
| 17   | 33072600    | 1   | #50 Roller Chain                                |
| 18   | 33572650    | 1   | #50 Roller Chain (94" Over-All Frame Width)     |
|      | 33072650    | 1   | #50 Roller Chain (90" Over-All Frame Width)     |
|      | 33572750    | 1   | #50 Roller Chain (86" Over-All Frame Width)     |
| 19   | 33028010    | 2   | 13 Tooth Sprocket with Bearing                  |
| 20   | 75089541    | 1   | Coiled Pin                                      |
| 21   | 33529730    | 1   | Deck Retainer Plate Assembly                    |
| 22   | 75088062    | 2   | 1-1/4" Washer                                   |
| 23   | 33529710    | 1   | Deck Retainer Latch Assembly                    |
| 24   | 75089753    | 1   | Spring  |
| 25   | 33529790    | 1   | Deck Retainer Plate                             |
| 26   | 33529000    | 1   | Retainer Assembly Complete                      |



# MAIN FRAME ASSEMBLY



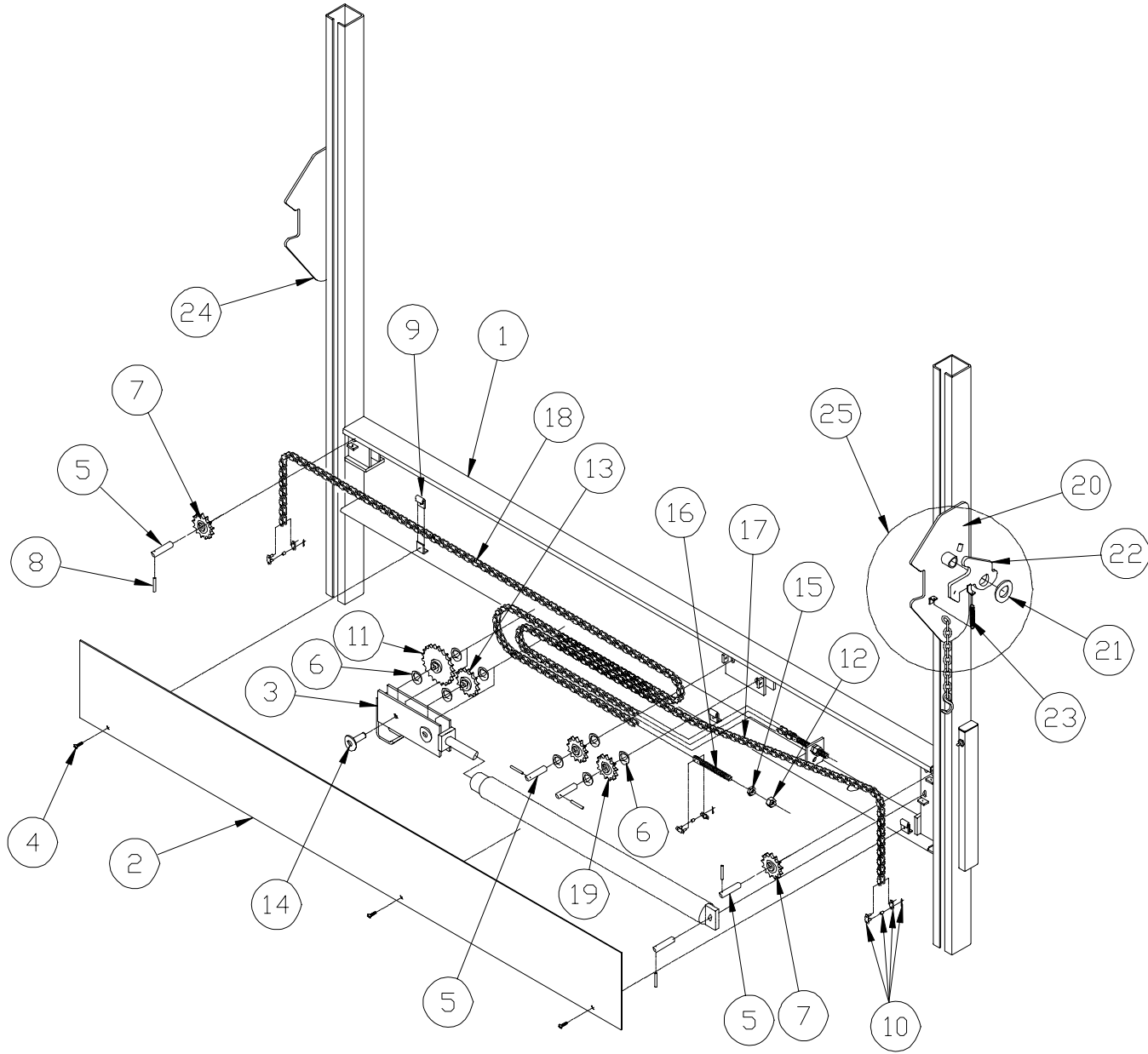
**WALTCO**  
**TRUCK EQUIPMENT CO.**  
**MDR-125AF, 160AF**

REVISED: 12/1/03  
 E.O. 5221  
 REV. 01

**PM-234C**

| ITEM | PART NUMBER | QTY | DESCRIPTION  |
|------|-------------|-----|--|
| 1    | 33620000    | 1   | Mount Frame Assembly (94" Over-All Frame Width)      |
|      | 33620010    | 1   | Mount Frame Assembly (90" Over-All Frame Width)      |
|      | 33620020    | 1   | Mount Frame Assembly (86" Over-All Frame Width)      |
| 2    | 33520100    | 1   | Access Door (94" Over-All Frame Width)               |
|      | 33020100    | 1   | Access Door (90" Over-All Frame Width)               |
|      | 33520200    | 1   | Access Door (86" Over-All Frame Width)               |
| 3    | 33027000    | 1   | Shoe Assembly  |
| 4    | 75087585    | 3   | 3/8"-16 x 1" Truss Head Screw                        |
| 5    | 33070600    | 8   | Sprocket Pin   |
| 6    | 75081223    | 14  | Bronze Washer  |
| 7    | 33028010    | 7   | 13 Tooth Sprocket with Bearing                       |
| 8    | 75089553    | 8   | Coiled Pin   |
|      | 75085165    | 3   | Nut Retainer   |
| 10   | 80000419    | 4   | Connecting Link Assembly                             |
| 11   | 33028030    | 1   | 22 Tooth Sprocket with Bearing                       |
| 12   | 75086852    | 4   | #8-32 x 3/8" Self Tapping Screw                      |
| 13   | 33028020    | 1   | 15 Tooth Sprocket with Bearing                       |
| 14   | 33027500    | 2   | Shoe Pin Assembly                                    |
| 15   | 75085111    | 2   | 5/8"-18 Hex Nut                                      |
| 16   | 33073000    | 2   | Chain Anchor Assembly                                |
| 17   | 33173501    | 1   | #50 Roller Chain Assembly                            |
| 18   | 33673551    | 1   | #50 Roller Chain Assembly (94" Over-All Frame Width) |
|      | 33173551    | 1   | #50 Roller Chain Assembly (90" Over-All Frame Width) |
|      | 33673751    | 1   | #50 Roller Chain Assembly (86" Over-All Frame Width) |
| 19   | 75085184    | 2   | 5/8"-18 Special Locknut                              |
| 20   | 33171600    | 2   | Sprocket Cover                                       |
| 21   | 75089541    | 1   | Coiled Pin   |
| 22   | 33529730    | 1   | Deck Retainer Plate Assembly                         |
| 23   | 75088062    | 2   | 1-1/4" Washer  |
| 24   | 33529710    | 1   | Deck Retainer Latch Assembly                         |
| 25   | 75089753    | 1   | Spring   |
| 26   | 33529790    | 1   | Deck Retainer Plate                                  |
| 27   | 33529000    | 1   | Retainer Assembly Complete                           |

# MAIN FRAME ASSEMBLY



WALTCO  
TRUCK EQUIPMENT CO.  
MDR 125, 160

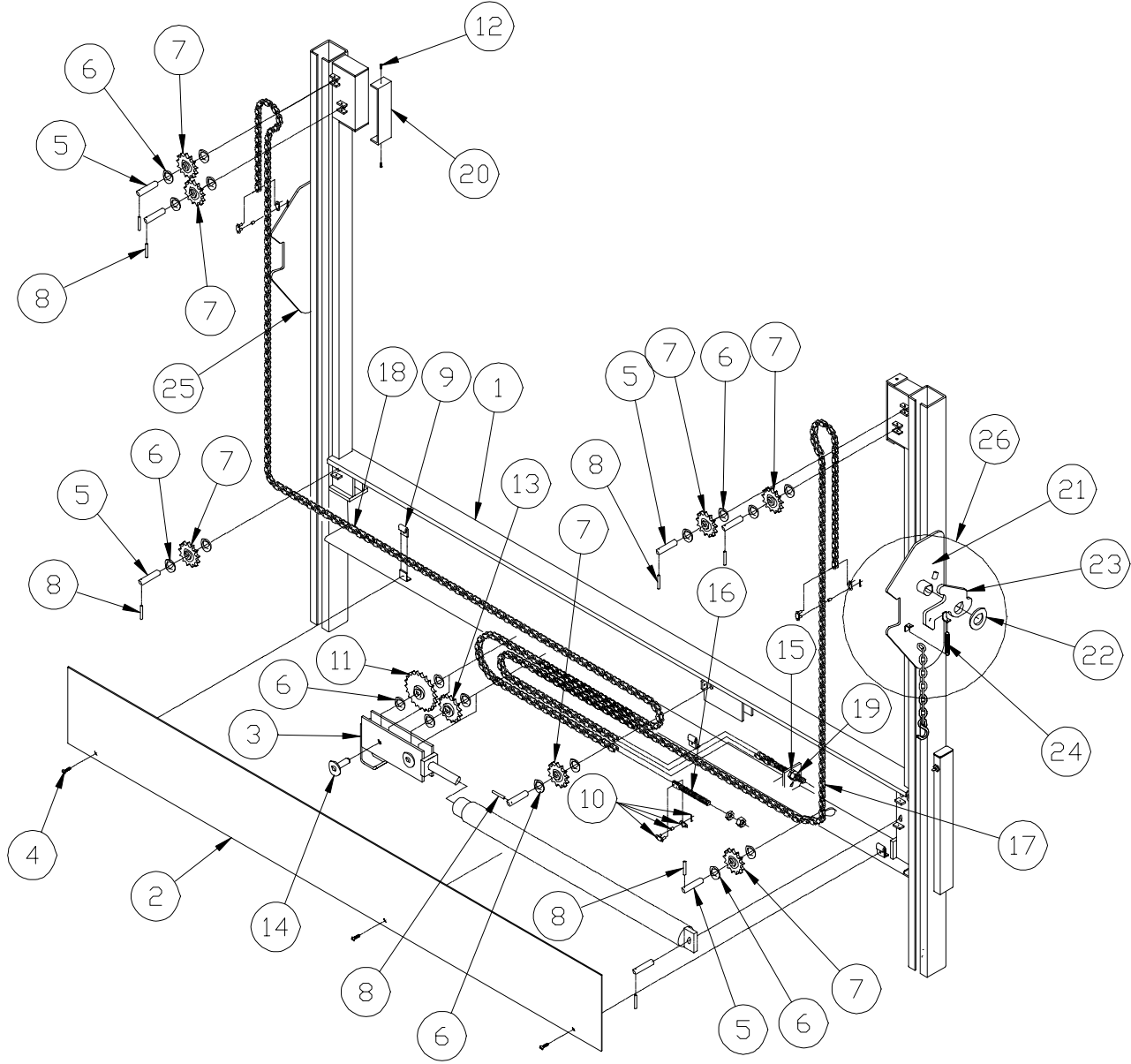
REVISED: 09/28/01  
E.O. 4585  
REV. 07

PM-233

| ITEM | PART NUMBER           | QTY | DESCRIPTION                       |
|------|-----------------------|-----|-----------------------------------|
| 1    | 33520000              | 1   | Mount Frame Assembly (94" O.A.W.) |
|      | 33520010              |     | Mount Frame Assembly (90" O.A.W.) |
|      | 33520020              |     | Mount Frame Assembly (86" O.A.W.) |
| 2    | 33520100              | 1   | Access Door (94" O.A.W.)          |
|      | 33020100              |     | Access Door (90" O.A.W.)          |
|      | 33520200              |     | Access Door (86" O.A.W.)          |
| 3    | 33027000              | 1   | Shoe Assembly                     |
| 4    | 75087585 <sup>A</sup> | 3   | 3/8"-16 x 1" Truss HD, Screw      |
| 5    | 33070600 <sup>A</sup> | 5   | Sprocket Pin                      |
| 6    | 75081223              | 8   | Bronze Washer                     |
| 7    | 33028040 <sup>A</sup> | 2   | 13 Tooth Sprocket with Bearing    |
| 8    | 75089553 <sup>A</sup> | 5   | Coiled Pin                        |
| 9    | 75085165 <sup>A</sup> | 3   | Nut Retainer                      |
| 10   | 80000419 <sup>A</sup> | 4   | Connecting Link Assembly          |
| 11   | 33028030 <sup>A</sup> | 1   | 22 Tooth Sprocket with Bearing    |
| 12   | 75085184              | 2   | 5/8"-18 Special Locknut           |
| 13   | 33028020 <sup>A</sup> | 1   | 15 Tooth Sprocket with Bearing    |
| 14   | 33027500 <sup>A</sup> | 2   | Shoe Pin Assembly                 |
| 15   | 75085111              | 2   | 5/8"-18 Hex Nut                   |
| 16   | 33073000              | 2   | Chain Anchor Assy                 |
| 17   | 33072600              | 1   | #50 Roller Chain                  |
| 18   | 33572650              | 1   | #50 Roller Chain (94" O.A.W.)     |
|      | 33072650              |     | #50 Roller Chain (90" O.A.W.)     |
|      | 33572750              |     | #50 Roller Chain (86" O.A.W.)     |
| 19   | 33028010 <sup>A</sup> | 2   | 13 Tooth Sprocket with Bearing    |
| 20   | 33529700              | 1   | Deck Retainer Plate Assembly      |
| 21   | 75088062              | 1   | 1-1/4" Washer                     |
| 22   | 33529710              | 1   | Deck Retainer Latch Assembly      |
| 23   | 75089752              | 1   | Spring                            |
| 24   | 33529790              | 1   | Deck Retainer Plate               |
| 25   | 33529000              | 1   | Deck Retainer Assembly            |

<sup>A</sup> Included in Sprocket Replacement Kit 80000898.

# MAIN FRAME ASSEMBLY



WALTCO  
TRUCK EQUIPMENT CO.  
MDR 125AF, 160AF

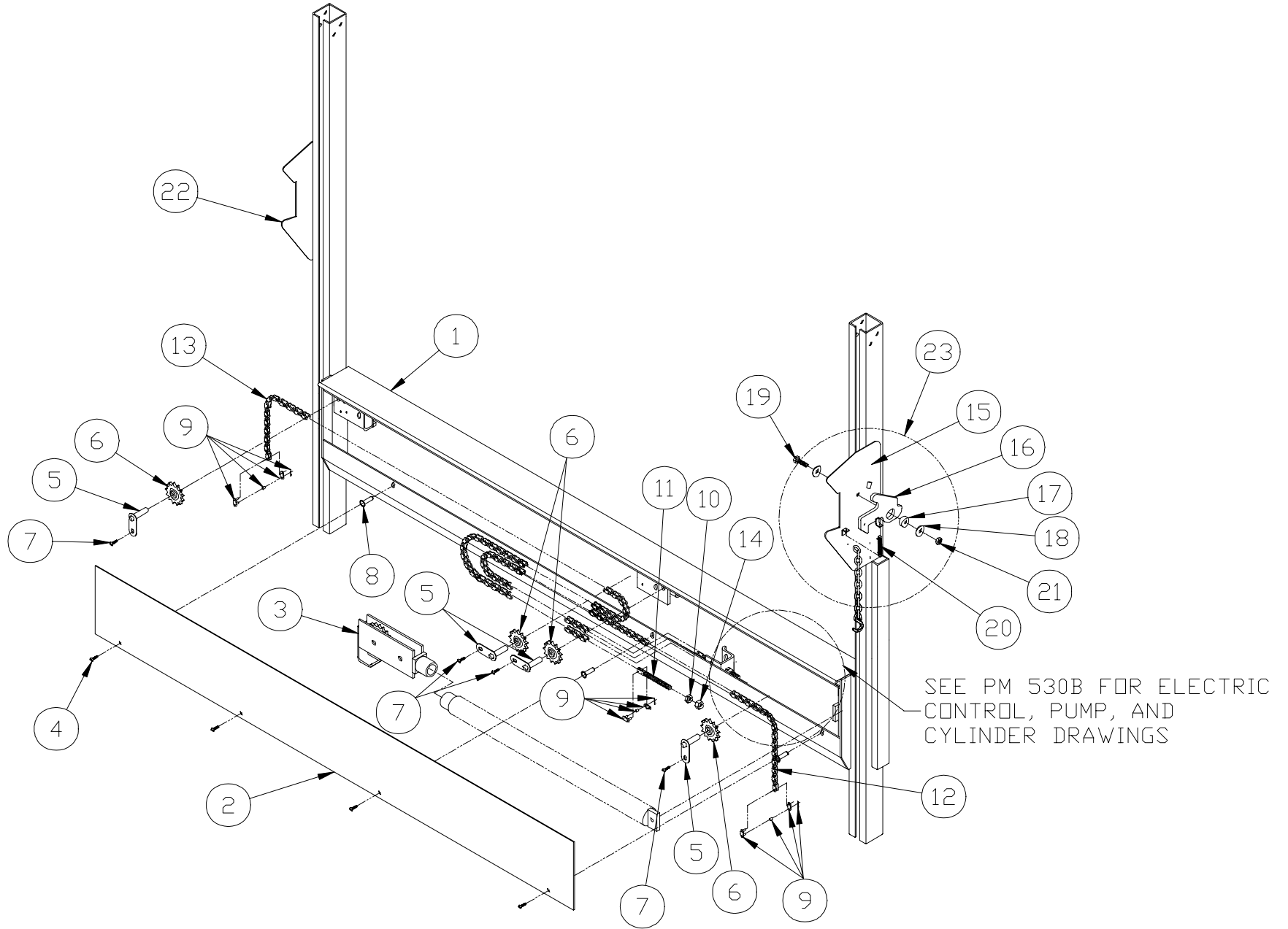
REVISED: 09/28/01  
E.O. 4585  
REV. 07

PM-234

| ITEM | PART NUMBER           | QTY | DESCRIPTION                            |
|------|-----------------------|-----|--|
| 1    | 33620000              | 1   | Mount Frame Assembly (94" O.A.W.)      |
|      | 33620010              |     | Mount Frame Assembly (90" O.A.W.)      |
|      | 33620020              |     | Mount Frame Assembly (86" O.A.W.)      |
| 2    | 33520100              | 1   | Access Door (94" O.A.W.)               |
|      | 33020100              |     | Access Door (90" O.A.W.)               |
|      | 33520200              |     | Access Door (86" O.A.W.)               |
| 3    | 33027000              | 1   | Shoe Assembly                          |
| 4    | 75087585 <sup>A</sup> | 3   | 3/8"-16 x 1" Truss HD, Screw           |
| 5    | 33070600 <sup>A</sup> | 8   | Sprocket Pin                           |
| 6    | 75081223              | 18  | Bronze Washer                          |
| 7    | 33028010 <sup>A</sup> | 7   | 13 Tooth Sprocket with Bearing         |
| 8    | 75089553 <sup>A</sup> | 8   | Coiled Pin                             |
| 9    | 75085165 <sup>A</sup> | 3   | Nut Retainer                           |
| 10   | 80000419 <sup>A</sup> | 4   | Connecting Link Assembly               |
| 11   | 33028030 <sup>A</sup> | 1   | 22 Tooth Sprocket with Bearing         |
| 12   | 75086852              | 4   | #8-32 x 3/8" Self Tapping Screw        |
| 13   | 33028020 <sup>A</sup> | 1   | 15 Tooth Sprocket with Bearing         |
| 14   | 33027500 <sup>A</sup> | 2   | Shoe Pin Assembly                      |
| 15   | 75085111              | 2   | 5/8"-18 Hex Nut                        |
| 16   | 33073000              | 2   | Chain Anchor Assembly                  |
| 17   | 33173501              | 1   | #50 Roller Chain Assembly              |
| 18   | 33673551              | 1   | #50 Roller Chain Assembly (94" O.A.W.) |
|      | 33173551              |     | #50 Roller Chain Assembly (90" O.A.W.) |
|      | 33673751              |     | #50 Roller Chain Assembly (86" O.A.W.) |
| 19   | 75085184              | 2   | 5/8"-18 Special Locknut                |
| 20   | 33171600              | 2   | Sprocket Cover                         |
| 21   | 33529700              | 1   | Deck Retainer Plate Assembly           |
| 22   | 75088062              | 1   | 1-1/4" Washer                          |
| 23   | 33529710              | 1   | Deck Retainer Latch Assembly           |
| 24   | 75089752              | 1   | Spring                                 |
| 25   | 33529790              | 1   | Deck Retainer Plate                    |
| 26   | 33529000              | 1   | Retainer Assembly Complete             |

<sup>A</sup> Included in Sprocket Replacement Kit 80000899.

# MAIN FRAME ASSEMBLY



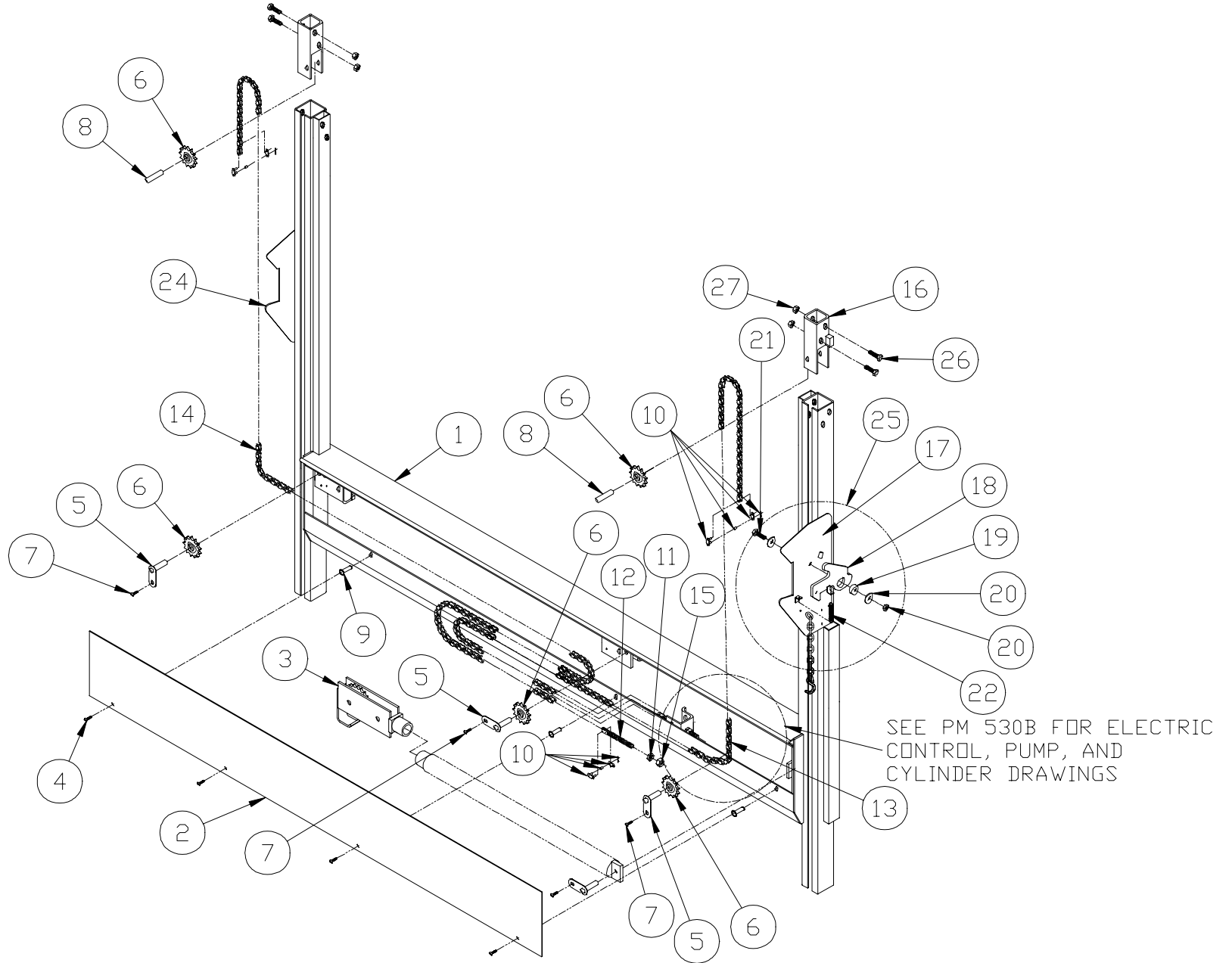
**WALTCO**  
**TRUCK EQUIPMENT CO.**  
**MDR RM-125, 160**

REVISED: 12/1/03  
 E.O. 5221  
 REV. 01

**PM-233E**

| ITEM | PART NUMBER | QTY | DESCRIPTION                         |
|------|-------------|-----|-------------------------------------|
| 1    | 39520000    | 1   | Mount Frame Assembly (94" OAW)      |
|      | 39520010    | 1   | Mount Frame Assembly (90" OAW)      |
|      | 39520020    | 1   | Mount Frame Assembly (86" OAW)      |
| 2    | 39520100    | 1   | Access Door (94" OAW)               |
|      | 39520110    | 1   | Access Door (90" OAW)               |
|      | 39520120    | 1   | Access Door (86" OAW)               |
| 3    | 39026000    | 1   | Shoe Assembly                       |
| 4    | 75081045    | 4   | 1/4"-20 x 1/2" Round Head Screw     |
| 5    | 39070600    | 4   | Sprocket Pin Assembly               |
| 6    | 39528310    | 4   | 13 Tooth Sprocket with Bearing      |
| 7    | 75086281    | 4   | Self Tapping Screw                  |
| 8    | 75087690    | 4   | Nut Insert                          |
| 9    | 80000419    | 4   | Connecting Link Assembly            |
| 10   | 75085111    | 2   | 5/8"-18 hex nut                     |
| 11   | 33073000    | 2   | Chan Anchor Assembly                |
| 12   | 33072600    | 1   | #50 Roller Chain Assembly           |
| 13   | 33572650    | 1   | #50 Roller Chain Assembly (94" OAW) |
|      | 33072650    | 1   | #50 Roller Chain Assembly (90" OAW) |
|      | 33572750    | 1   | #50 Roller Chain Assembly (86" OAW) |
| 14   | 75085184    | 2   | 5/8"-18 Special Locknut             |
| 15   | 39529700    | 1   | Deck Retainer Plate Assembly        |
| 16   | 39529710    | 1   | Deck Retainer Latch Assembly        |
| 17   | 34029750    | 1   | Delrin Bushing                      |
| 18   | 75088056    | 2   | 1/2" Flat Washer                    |
| 19   | 75086108    | 1   | 1/2"-13 x 1-1/2" Grade 5 Bolt       |
| 20   | 75089752    | 1   | Spring                              |
| 21   | 75085162    | 1   | 1/2"-13 Nylon Locknut               |
| 22   | 39529790    | 1   | Deck Retainer Plate                 |
| 23   | 39529000    | 1   | Retainer Assembly Complete          |

# MAIN FRAME ASSEMBLY



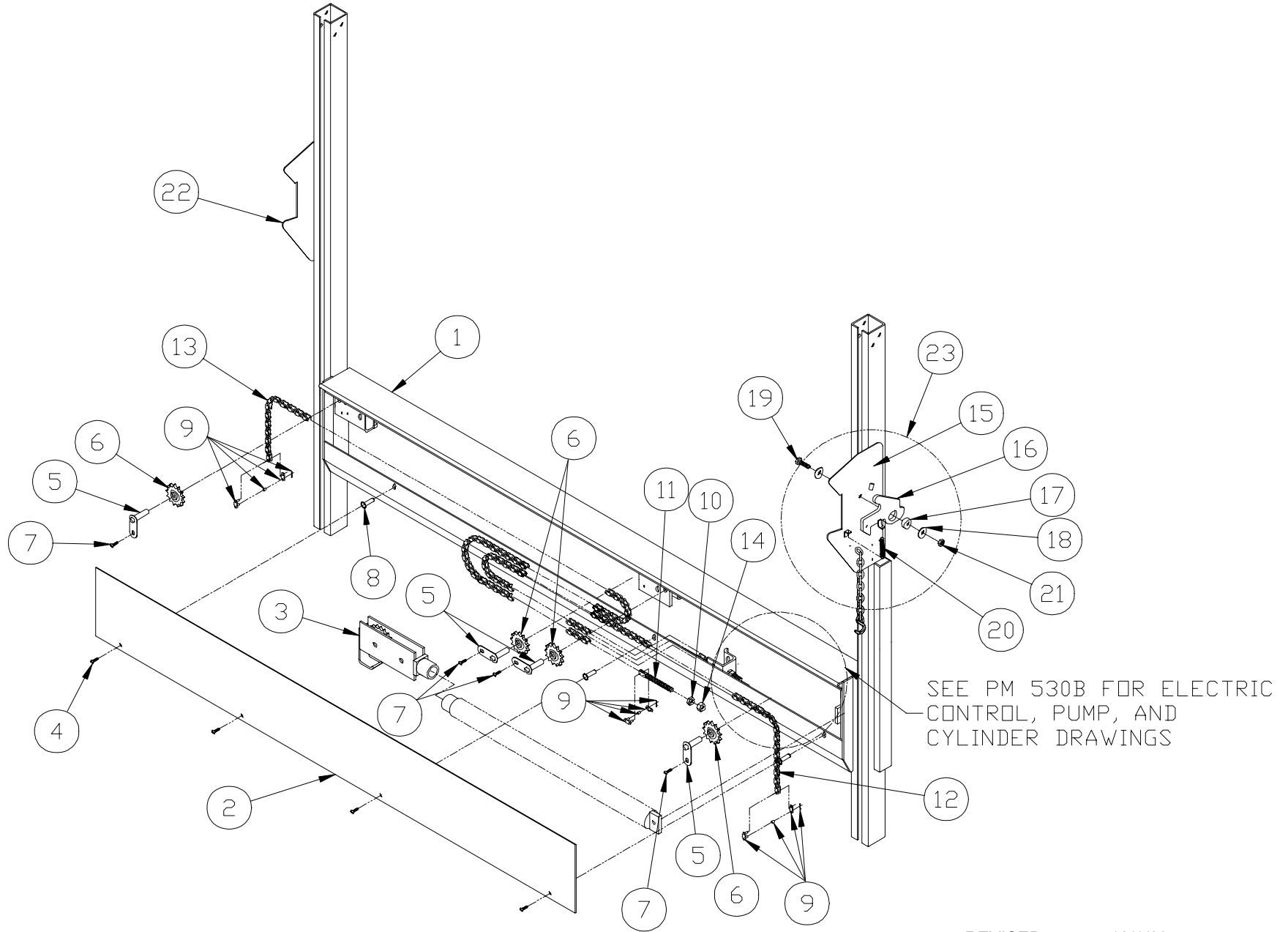
**WALTCO**  
**TRUCK EQUIPMENT CO.**  
**MDR RM-125AF, 160AF**

REVISED: 12/1/03  
 E.O. 5221  
 REV. 01

**PM-234D**

| ITEM | PART NUMBER | QTY | DESCRIPTION                         |
|------|-------------|-----|-------------------------------------|
| 1    | 39620000    | 1   | Mount Frame Assembly (94" OAW)      |
|      | 39620010    | 1   | Mount Frame Assembly (90" OAW)      |
|      | 39620020    | 1   | Mount Frame Assembly (86" OAW)      |
| 2    | 39520100    | 1   | Access Door (94" OAW)               |
|      | 39520110    | 1   | Access Door (90" OAW)               |
|      | 39520120    | 1   | Access Door (86" OAW)               |
| 3    | 39026000    | 1   | Shoe Assembly                       |
| 4    | 75081045    | 4   | 1/4"-20 x 1/2" Round Head Screw     |
| 5    | 39070600    | 4   | Sprocket Pin Assembly               |
| 6    | 39528310    | 5   | 13 Tooth Sprocket with Bearing      |
| 7    | 75086281    | 3   | Self Tapping Screw                  |
| 8    | 33025200    | 3   | Shoe Pin                            |
| 9    | 75087690    | 4   | Nut Insert                          |
| 10   | 80000419    | 4   | Connecting Link Assembly            |
| 11   | 75085111    | 2   | 5/8"-18 hex nut                     |
| 12   | 33073000    | 2   | Chan Anchor Assembly                |
| 13   | 33173501    | 1   | #50 Roller Chain Assembly           |
| 14   | 33673551    | 1   | #50 Roller Chain Assembly (94" OAW) |
|      | 33173551    | 1   | #50 Roller Chain Assembly (90" OAW) |
|      | 33673751    | 1   | #50 Roller Chain Assembly (86" OAW) |
| 15   | 75085184    | 2   | 5/8"-18 Special Locknut             |
| 16   | 39124375    | 2   | Sprocket Mount                      |
| 17   | 39529700    | 1   | Deck Retainer Plate Assembly        |
| 18   | 39529710    | 1   | Deck Retainer Latch Assembly        |
| 19   | 34029750    | 1   | Delrin Bushing                      |
| 20   | 75088056    | 2   | 1/2" Flat Washer                    |
| 21   | 75086108    | 1   | 1/2"-13 x 1-1/2" Grade 5 Bolt       |
| 22   | 75089752    | 1   | Spring                              |
| 23   | 75085162    | 1   | 1/2"-13 Nylon Locknut               |
| 24   | 39529790    | 1   | Deck Retainer Plate                 |
| 25   | 39529000    | 1   | Retainer Assembly Complete          |
| 26   | 75086224    | 4   | 7/16"-14 x 5" Hex Bolt, Grade 8     |
| 27   | 75085178    | 4   | 7/16"-14 Locknut, Stover Grade C    |

# MAIN FRAME ASSEMBLY



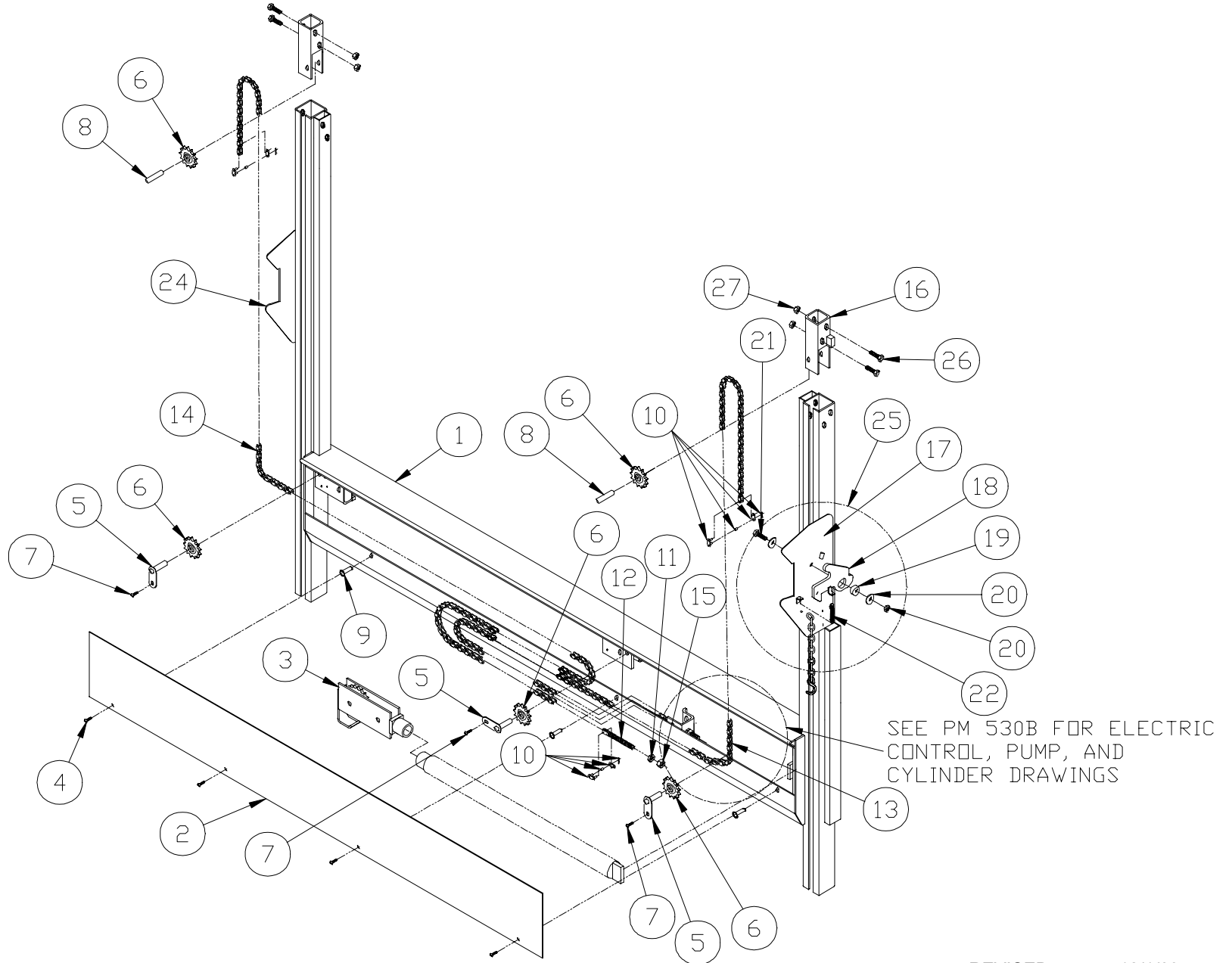
**WALTCO**  
**TRUCK EQUIPMENT CO.**  
**MDR RM-125, 160**

REVISED: 12/1/03  
 E.O. 5221  
 REV. 01

**PM-233F**

| ITEM | PART NUMBER | QTY | DESCRIPTION  |
|------|-------------|-----|--|
| 1    | 39520000    | 1   | Mount Frame Assembly (94" OAW)                                     |
|      | 39520010    | 1   | Mount Frame Assembly (90" OAW)                                     |
|      | 39520020    | 1   | Mount Frame Assembly (86" OAW)                                     |
| 2    | 39520100    | 1   | Access Door (94" OAW)  |
|      | 39520110    | 1   | Access Door (90" OAW)  |
|      | 39520120    | 1   | Access Door (86" OAW)  |
| 3    | 39026000    | 1   | Shoe Assembly  |
| 4    | 75086702    | 4   | 1/4"-20 x 5/8" Pan Head Phillips Screw w/<br>External Tooth Washer |
| 5    | 39070600    | 4   | Sprocket Pin Assembly  |
| 6    | 39528310    | 4   | 13 Tooth Sprocket with Bearing                                     |
| 7    | 75086281    | 4   | Self Tapping Screw   |
| 8    | 75087690    | 4   | Nut Insert   |
| 9    | 75081113    | 4   | Connecting Link Assembly   |
| 10   | 75085111    | 2   | 5/8"-18 hex nut  |
| 11   | 39073000    | 2   | Chan Anchor Assembly   |
| 12   | 39073501    | 1   | #50 Roller Chain Assembly  |
| 13   | 39573551    | 1   | #50 Roller Chain Assembly (94" OAW)                                |
|      | 39573561    | 1   | #50 Roller Chain Assembly (90" OAW)                                |
|      | 39573571    | 1   | #50 Roller Chain Assembly (86" OAW)                                |
| 14   | 75085184    | 2   | 5/8"-18 Special Locknut  |
| 15   | 39529700    | 1   | Deck Retainer Plate Assembly                                       |
| 16   | 39529710    | 1   | Deck Retainer Latch Assembly                                       |
| 17   | 34029750    | 1   | Delrin Bushing   |
| 18   | 75088056    | 2   | 1/2" Flat Washer   |
| 19   | 75086108    | 1   | 1/2"-13 x 1-1/2" Grade 5 Bolt                                      |
| 20   | 75089752    | 1   | Spring   |
| 21   | 75085162    | 1   | 1/2"-13 Nylon Locknut  |
| 22   | 39529790    | 1   | Deck Retainer Plate  |
| 23   | 39529000    | 1   | Retainer Assembly Complete   |

**MAIN FRAME ASSEMBLY**



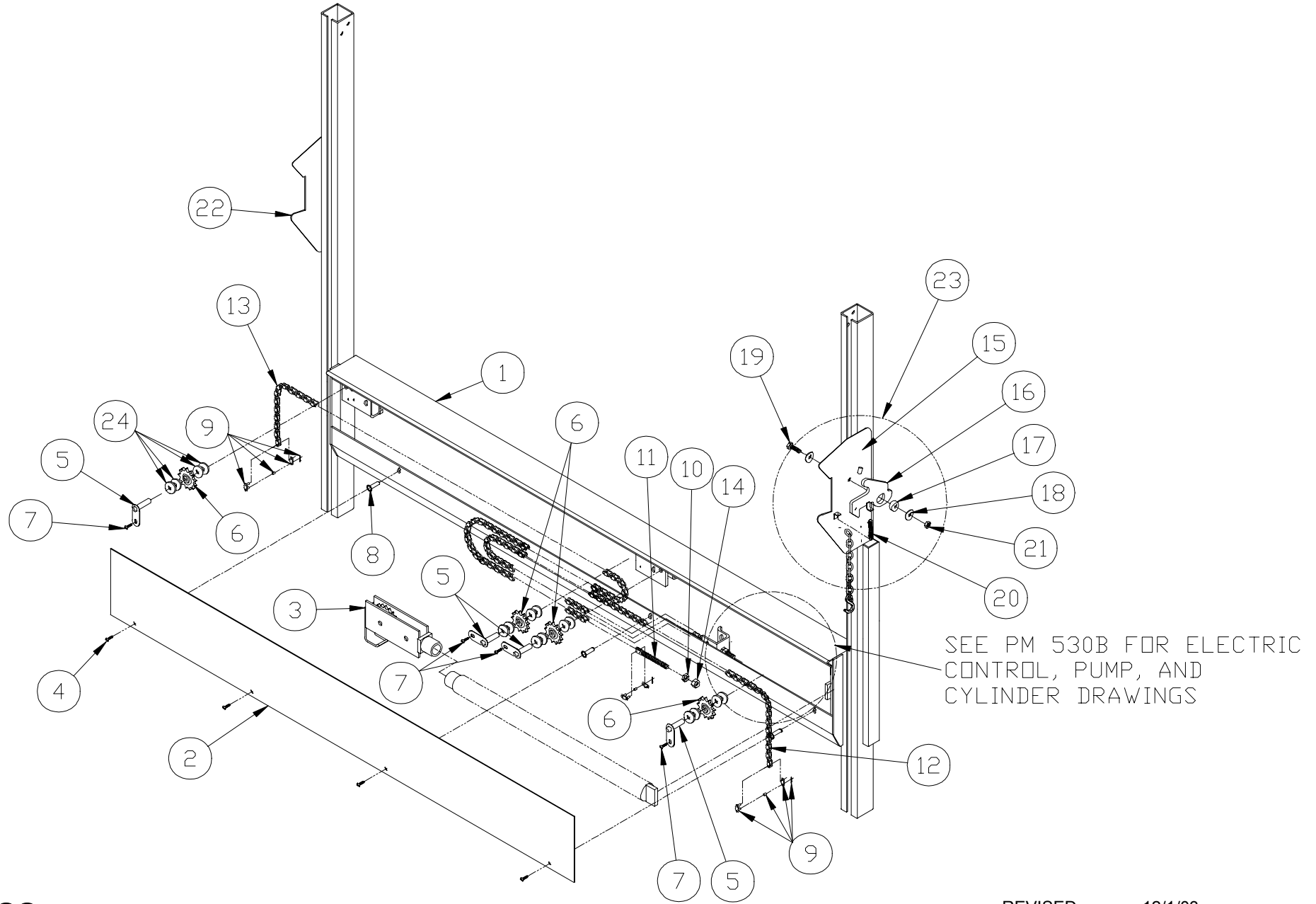
**WALTCO**  
**TRUCK EQUIPMENT CO.**  
**MDR RM-125AF, 160AF**

REVISED: 12/1/03  
 E.O. 5221  
 REV. 01

**PM-234E**

| ITEM | PART NUMBER | QTY | DESCRIPTION   |
|------|-------------|-----|---|
| 1    | 39620000    | 1   | Mount Frame Assembly (94" OAW)                                    |
|      | 39620010    | 1   | Mount Frame Assembly (90" OAW)                                    |
|      | 39620020    | 1   | Mount Frame Assembly (86" OAW)                                    |
| 2    | 39520100    | 1   | Access Door (94" OAW)   |
|      | 39520110    | 1   | Access Door (90" OAW)   |
|      | 39520120    | 1   | Access Door (86" OAW)   |
| 3    | 39026000    | 1   | Shoe Assembly   |
| 4    | 75086702    | 4   | 1/4"-20 x 5/8" Pan Head Phillips Screw with External Tooth Washer |
| 5    | 39070600    | 4   | Sprocket Pin Assembly   |
| 6    | 39528310    | 5   | 13 Tooth Sprocket with Bearing                                    |
| 7    | 75086281    | 3   | Self Tapping Screw  |
| 8    | 33025200    | 3   | Shoe Pin  |
| 9    | 75087690    | 4   | Nut Insert  |
| 10   | 75081113    | 4   | Connecting Link Assembly  |
| 11   | 75085111    | 2   | 5/8"-18 hex nut   |
| 12   | 39073000    | 2   | Chan Anchor Assembly  |
| 13   | 39173501    | 1   | #50 Roller Chain Assembly   |
| 14   | 39673551    | 1   | #50 Roller Chain Assembly (94" OAW)                               |
|      | 39673561    | 1   | #50 Roller Chain Assembly (90" OAW)                               |
|      | 39673571    | 1   | #50 Roller Chain Assembly (86" OAW)                               |
| 15   | 75085184    | 2   | 5/8"-18 Special Locknut   |
| 16   | 39124375    | 2   | Sprocket Mount  |
| 17   | 39529700    | 1   | Deck Retainer Plate Assembly                                      |
| 18   | 39529710    | 1   | Deck Retainer Latch Assembly                                      |
| 19   | 34029750    | 1   | Delrin Bushing  |
| 20   | 75088056    | 2   | 1/2" Flat Washer  |
| 21   | 75086108    | 1   | 1/2"-13 x 1-1/2" Grade 5 Bolt                                     |
| 22   | 75089752    | 1   | Spring  |
| 23   | 75085162    | 1   | 1/2"-13 Nylon Locknut   |
| 24   | 39529790    | 1   | Deck Retainer Plate   |
| 25   | 39529000    | 1   | Retainer Assembly Complete  |
| 26   | 75086224    | 4   | 7/16"-14 x 5" Hex Bolt, Grade 8                                   |
| 27   | 75085178    | 4   | 7/16"-14 Locknut, Stover Grade C                                  |

# MAIN FRAME ASSEMBLY



**WALTCO**  
**TRUCK EQUIPMENT CO.**  
**MDRRM-200**

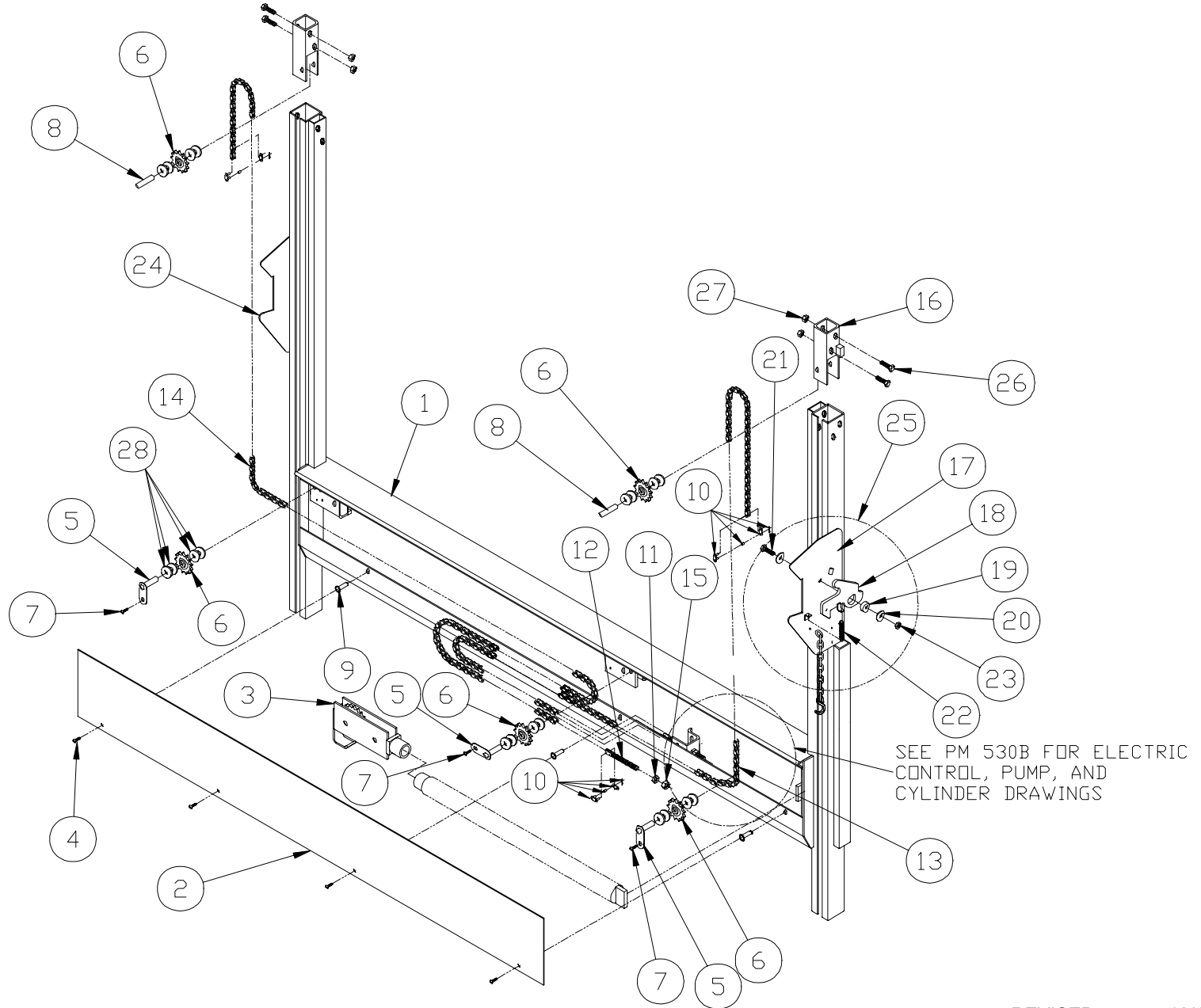
REVISED: 12/1/03  
 E.O. 5221  
 REV. 01

**PM-549B**

| ITEM | PART NUMBER | QTY | DESCRIPTION   |
|------|-------------|-----|---|
| 1    | 39720000    | 1   | Mount Frame Assembly (94" OAW)                                    |
|      | 39720010    | 1   | Mount Frame Assembly (90" OAW)                                    |
|      | 39720020    | 1   | Mount Frame Assembly (86" OAW)                                    |
| 2    | 39520100    | 1   | Access Door (94" OAW)   |
|      | 39520110    | 1   | Access Door (90" OAW)   |
|      | 39520120    | 1   | Access Door (86" OAW)   |
| 3    | 39726000    | 1   | Shoe Assembly   |
| 4    | 75086702    | 4   | 1/4"-20 x 5/8" Pan Head Phillips Screw with External Tooth Washer |
| 5    | 39770600    | 4   | Sprocket Pin Assembly   |
| 6    | 34228340    | 4   | 11 Tooth #60 Sprocket with Bearing                                |
| 7    | 75086281    | 4   | Self Tapping Screw  |
| 8    | 75087690    | 4   | Nut Insert  |
| 9    | 80000609    | 4   | Connecting Link Assembly  |
| 10   | 75085111    | 2   | 5/8"-18 Hex Nut   |
| 11   | 34273000    | 2   | Chain Anchor Assembly   |
| 12   | 39773500    | 1   | #60 Roller Chain Assembly   |
| 13   | 39773562    | 1   | #60 Roller Chain Assembly (94" OAW)                               |
|      | 39773561    | 1   | #60 Roller Chain Assembly (90" OAW)                               |
|      | 39773571    | 1   | #60 Roller Chain Assembly (86" OAW)                               |
| 14   | 75085184    | 2   | 5/8"-18 Special Locknut   |
| 15   | 39529700    | 1   | Deck Retainer Plate Assembly                                      |
| 16   | 39529710    | 1   | Deck Retainer Latch Assembly                                      |
| 17   | 34029750    | 1   | Delrin Bushing  |
| 18   | 75088056    | 2   | 1/2" Flat Washer  |
| 19   | 75086108    | 1   | 1/2"-13 x 1-1/2" Grade 5 Bolt                                     |
| 20   | 75089752    | 1   | Spring  |
| 21   | 75085162    | 1   | 1/2"-13 Nylon Locknut   |
| 22   | 39529790    | 1   | Deck Retainer Plate   |
| 23   | 39529000    | 1   | Retainer Assembly Complete  |
| 24   | 75088057    | 8   | 5/8" Flat Washer  |



**MAIN FRAME ASSEMBLY**



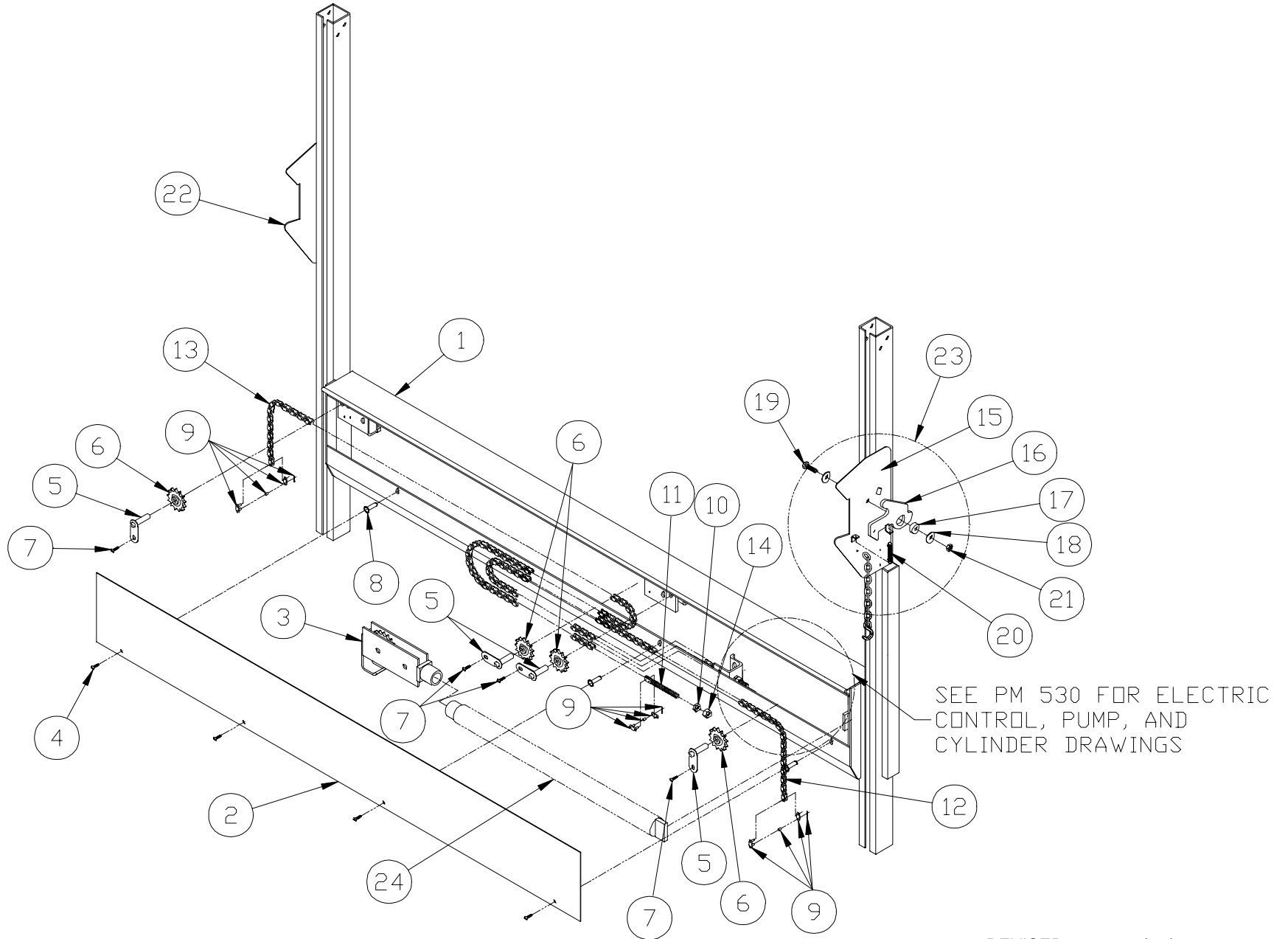
**WALTCO**  
**TRUCK EQUIPMENT CO.**  
**MDRRM – 200AF**

REVISED: 12/1/03  
 E.O. 5221  
 REV. 01

**PM-550A**

| ITEM | PART NUMBER | QTY | DESCRIPTION  |   |                                    |
|------|-------------|-----|--|---|------------------------------------|
| 1    | 39920000    | 1   | Mount Frame Assembly (94" OAW)                                   |   |                                    |
|      | 39920010    |     | Mount Frame Assembly (90" OAW)                                   |   |                                    |
|      | 39920020    |     | Mount Frame Assembly (86" OAW)                                   |   |                                    |
| 2    | 39520100    | 1   | Access Door (94 OAW)   |   |                                    |
|      | 39520110    |     | Access Door (90 OAW)   |   |                                    |
|      | 39520120    |     | Access Door (86 OAW)   |   |                                    |
| 3    | 39726000    | 1   | Shoe Assembly  |   |                                    |
| 4    | 75086702    | 4   | 1/4"-20 x 5/8" Pan Head Philips Screw with External Tooth Washer |   |                                    |
|      |             |     | 39770600   | 3 | Sprocket Pin Assembly              |
|      |             |     | 34228340   | 5 | 11-Tooth #60 Sprocket with Bearing |
|      |             |     | 75086281   | 3 | Self Tapping Screw                 |
| 8    | 33025200    | 2   | Shoe Pin   |   |                                    |
| 9    | 75087690    | 4   | Nut Insert   |   |                                    |
| 10   | 80000609    | 4   | Connecting Link Assembly   |   |                                    |
| 11   | 75085111    | 2   | 5/8"-18 Hex Nut  |   |                                    |
| 12   | 34273000    | 2   | Chain Anchor Assembly  |   |                                    |
| 13   | 39973501    | 1   | #60 Roller Chain Assembly  |   |                                    |
| 14   | 39973551    | 1   | #60 Roller Chain Assembly (94" OAW)                              |   |                                    |
|      | 39973561    |     | #60 Roller Chain Assembly (90" OAW)                              |   |                                    |
|      | 39973571    |     | #60 Roller Chain Assembly (86" OAW)                              |   |                                    |
| 15   | 75085184    | 2   | 5/8"-18 Special Locknut  |   |                                    |
| 16   | 39124375    | 2   | Sprocket Mount   |   |                                    |
| 17   | 39529700    | 1   | Deck Retainer Plate Assembly                                     |   |                                    |
| 18   | 39529710    | 1   | Deck Retainer Latch Assembly                                     |   |                                    |
| 19   | 34029750    | 1   | Delrin Bushing   |   |                                    |
| 20   | 75088056    | 2   | 1/2" Zinc Plated Flat Washer                                     |   |                                    |
| 21   | 75086108    | 1   | 1/2"-13 x 1-1/2" Grade 5 Bolt                                    |   |                                    |
| 22   | 75089752    | 1   | Spring   |   |                                    |
| 23   | 75085162    | 1   | 1/2"-13 Nylon Locknut  |   |                                    |
| 24   | 39529790    | 1   | Deck Retainer Plate  |   |                                    |
| 25   | 39529000    | 1   | Retainer Assembly Complete                                       |   |                                    |
| 26   | 75086224    | 4   | 7/16"-14 x 5" Hex Bolt, Grade 8                                  |   |                                    |
| 27   | 75085178    | 4   | 7/16"-14 Locknut, Stover Grade C                                 |   |                                    |
| 28   | 75088057    | 20  | 5/8" I.D. Washer X .134" THK.                                    |   |                                    |

# MAIN FRAME ASSEMBLY



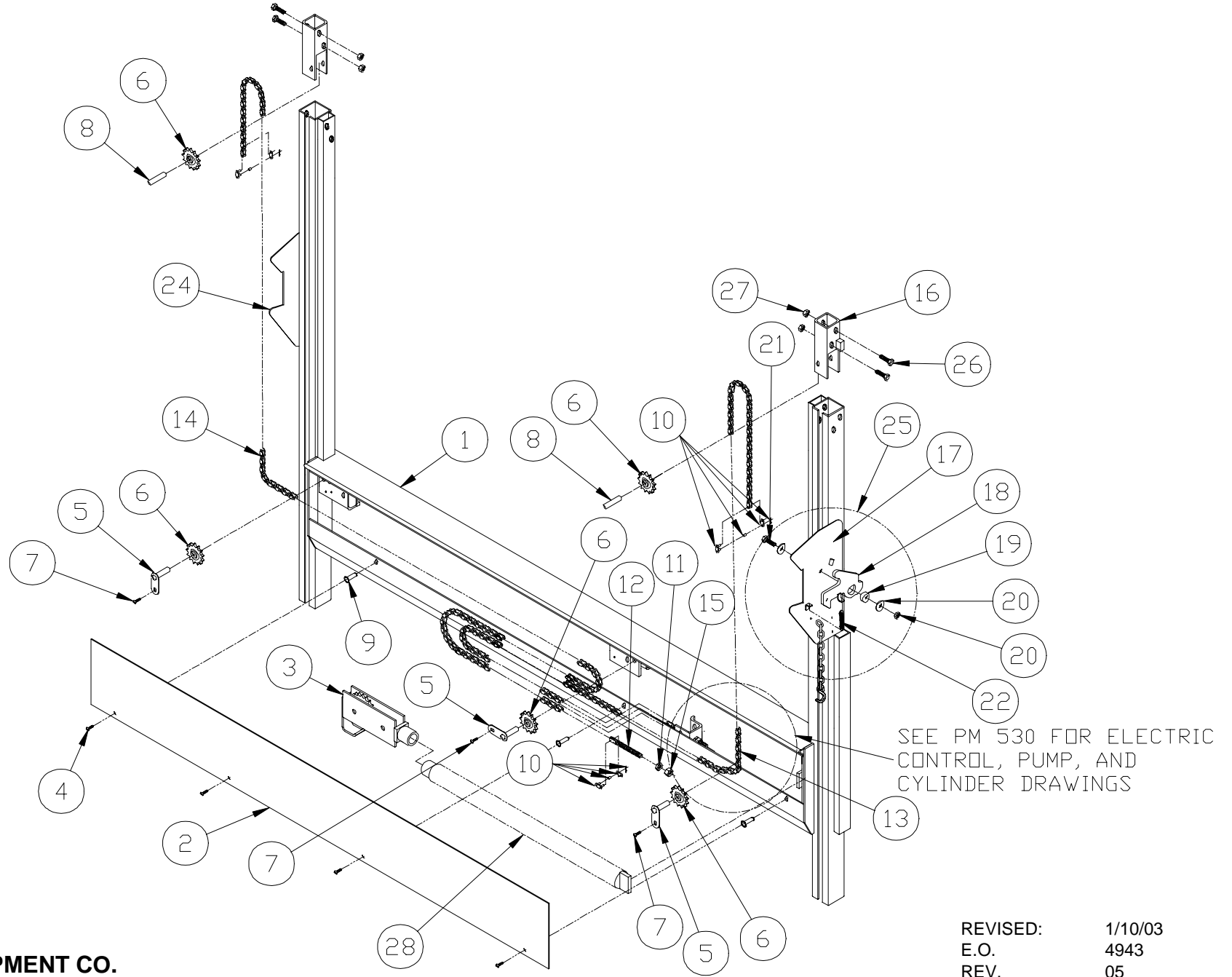
WALTCO  
TRUCK EQUIPMENT CO.  
MDR - 125, 160

REVISED: 1/10/03  
E.O. 4943  
REV. 05

**PM-233A**

| ITEM | PART NUMBER | QTY | DESCRIPTION  |
|------|-------------|-----|--|
| 1    | 39520000    | 1   | Mount Frame Assembly (94" OAW)                                   |
|      | 39520010    |     | Mount Frame Assembly (90" OAW)                                   |
|      | 39520020    |     | Mount Frame Assembly (86" OAW)                                   |
| 2    | 39520100    | 1   | Access Door (94 OAW)   |
|      | 39520110    |     | Access Door (90 OAW)   |
|      | 39520120    |     | Access Door (86 OAW)   |
| 3    | 39026000    | 1   | Shoe Assembly  |
| 4    | 75086702    | 4   | 1/4"-20 x 5/8" Pan Head Philips Screw with External Tooth Washer |
| 5    | 39070600    | 4   | Sprocket Pin Assembly  |
| 6    | 39528310    | 4   | 13-Tooth Sprocket with Bearing                                   |
| 7    | 75086281    | 4   | Self Tapping Screw   |
| 8    | 75087690    | 4   | Nut Insert   |
| 9    | 75081113    | 4   | Connecting Link Assembly   |
| 10   | 75085111    | 2   | 5/8"-18 Hex Nut  |
| 11   | 39073000    | 2   | Chain Anchor Assembly  |
| 12   | 39073502    | 1   | #50 Roller Chain Assembly  |
| 13   | 39573574    | 1   | #50 Roller Chain Assy. (94" OAW)                                 |
|      | 39573573    |     | #50 Roller Chain Assy. (90" OAW)                                 |
|      | 39573572    |     | #50 Roller Chain Assy. (86" OAW)                                 |
| 14   | 75085184    |     | 5/8"-18 Special Locknut  |
| 15   | 39529700    | 1   | Deck Retainer Plate Assembly                                     |
| 16   | 39529710    | 1   | Deck Retainer Latch Assembly                                     |
| 17   | 34029750    | 1   | Delrin Bushing   |
| 18   | 75088056    | 2   | 1/2" Zinc Plated Flat Washer                                     |
| 19   | 75086108    | 1   | 1/2"-13 x 1-1/2" Grade 5 Bolt                                    |
| 20   | 75089752    | 1   | Spring   |
| 21   | 75085162    | 1   | 1/2"-13 Nylock Nut   |
| 22   | 39529720    | 1   | DS Deck Retainer Plate   |
| 23   | 39529000    | 1   | Retainer Assembly Complete                                       |
| 24   | 39080050    | 1   | 23-1/2" Stroke Hydraulic Cylinder                                |

# MAIN FRAME ASSEMBLY



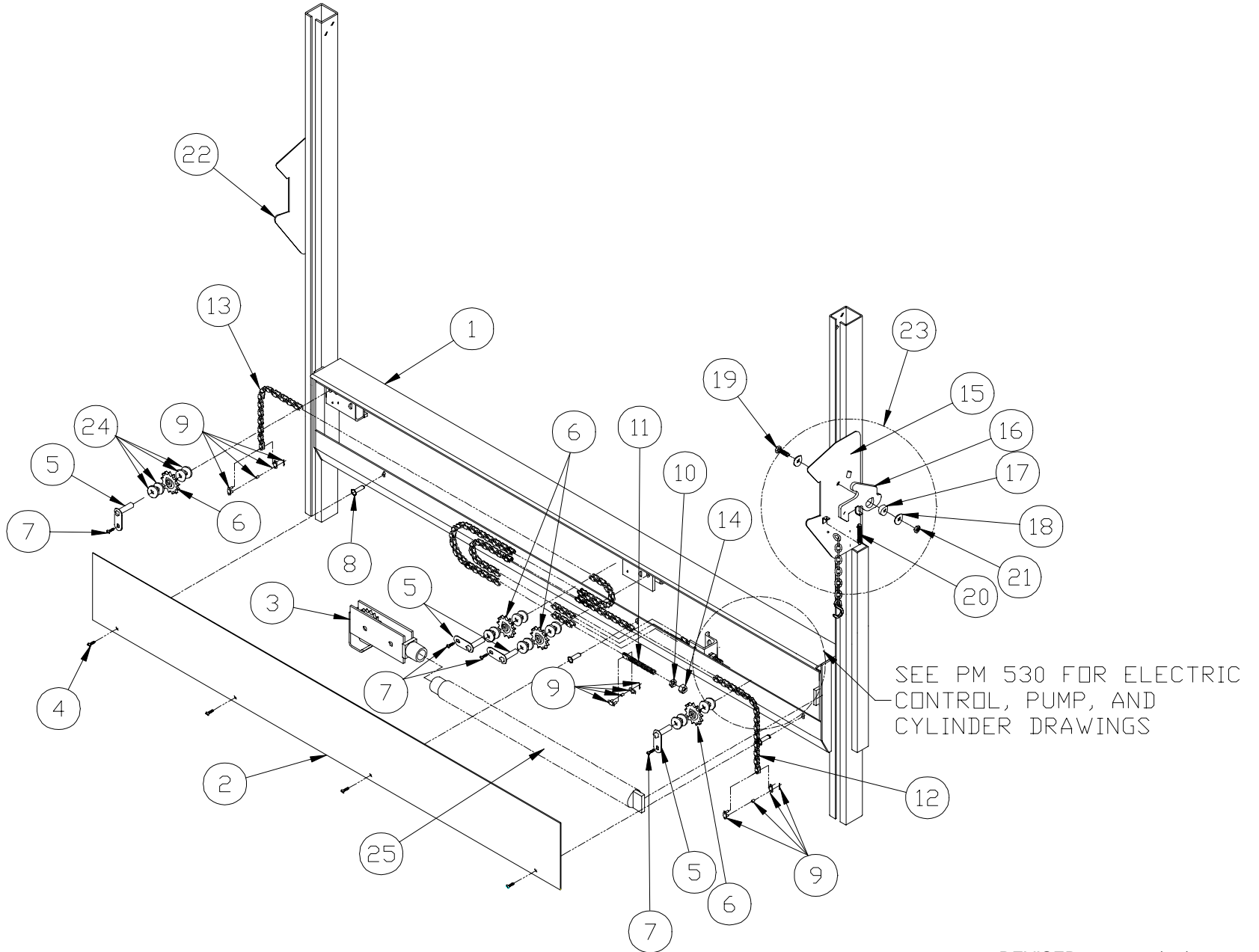
WALTCO  
TRUCK EQUIPMENT CO.  
MDR – 125AF, 160AF

REVISED: 1/10/03  
E.O. 4943  
REV. 05

**PM-234A**

| ITEM | PART NUMBER     | QTY | DESCRIPTION  |
|------|-----------------|-----|--|
| 1    | 39620000        | 1   | Mount Frame Assembly (94" OAW)                                   |
|      | 39620010        |     | Mount Frame Assembly (90" OAW)                                   |
|      | 39620020        |     | Mount Frame Assembly (86" OAW)                                   |
| 2    | 39520100        | 1   | Access Door (94 OAW)   |
|      | 39520110        |     | Access Door (90 OAW)   |
|      | 39520120        |     | Access Door (86 OAW)   |
| 3    | 39026000        | 1   | Shoe Assembly  |
| 4    | 75086702        | 4   | 1/4"-20 x 5/8" Pan Head Philips Screw with External Tooth Washer |
| 5    | 39070600        | 3   | Sprocket Pin Assembly  |
| 6    | 39528310        | 5   | 13-Tooth Sprocket with Bearing                                   |
| 7    | 75086281        | 3   | Self Tapping Screw   |
| 8    | 33025200        | 2   | Shoe Pin   |
| 9    | 75087690        | 4   | Nut Insert   |
| 10   | 75081113        | 4   | Connecting Link Assembly   |
| 11   | 75085111        | 2   | 5/8"-18 Hex Nut  |
| 12   | 39073000        | 2   | Chain Anchor Assembly  |
| 13   | 39173501        | 1   | #50 Roller Chain Assembly  |
| 14   | 39673551        | 1   | #50 Roller Chain Assembly (94" OAW)                              |
|      | 39673561        |     | #50 Roller Chain Assembly (90" OAW)                              |
|      | 39673571        |     | #50 Roller Chain Assembly (86" OAW)                              |
| 15   | 75085184        | 2   | 5/8"-18 Special Locknut  |
| 16   | 39124375        | 2   | Sprocket Mount   |
| 17   | 39529700        | 1   | Deck Retainer Plate Assembly                                     |
| 18   | 39529710        | 1   | Deck Retainer Latch Assembly                                     |
| 19   | 34029750        | 1   | Delrin Bushing   |
| 20   | 75088056        | 2   | 1/2" Zinc Plated Flat Washer                                     |
| 21   | 75086108        | 1   | 1/2"-13 x 1-1/2" Grade 5 Bolt                                    |
| 22   | 75089752        | 1   | Spring   |
| 23   | 75085162        | 1   | 1/2"-13 Nylock Nut   |
| 24   | 39529720        | 1   | DS Deck Retainer Plate   |
| 25   | 39529000        | 1   | Retainer Assembly Complete                                       |
| 26   | 75086224        | 4   | 7/16"-14 x 5" Hex Bolt, Grade 8                                  |
| 27   | 75085178        | 4   | 7/16"-14 Locknut, Stover Grade C                                 |
| 28   | <b>39580050</b> | 1   | 27" Stroke Hydraulic Cylinder                                    |

# MAIN FRAME ASSEMBLY



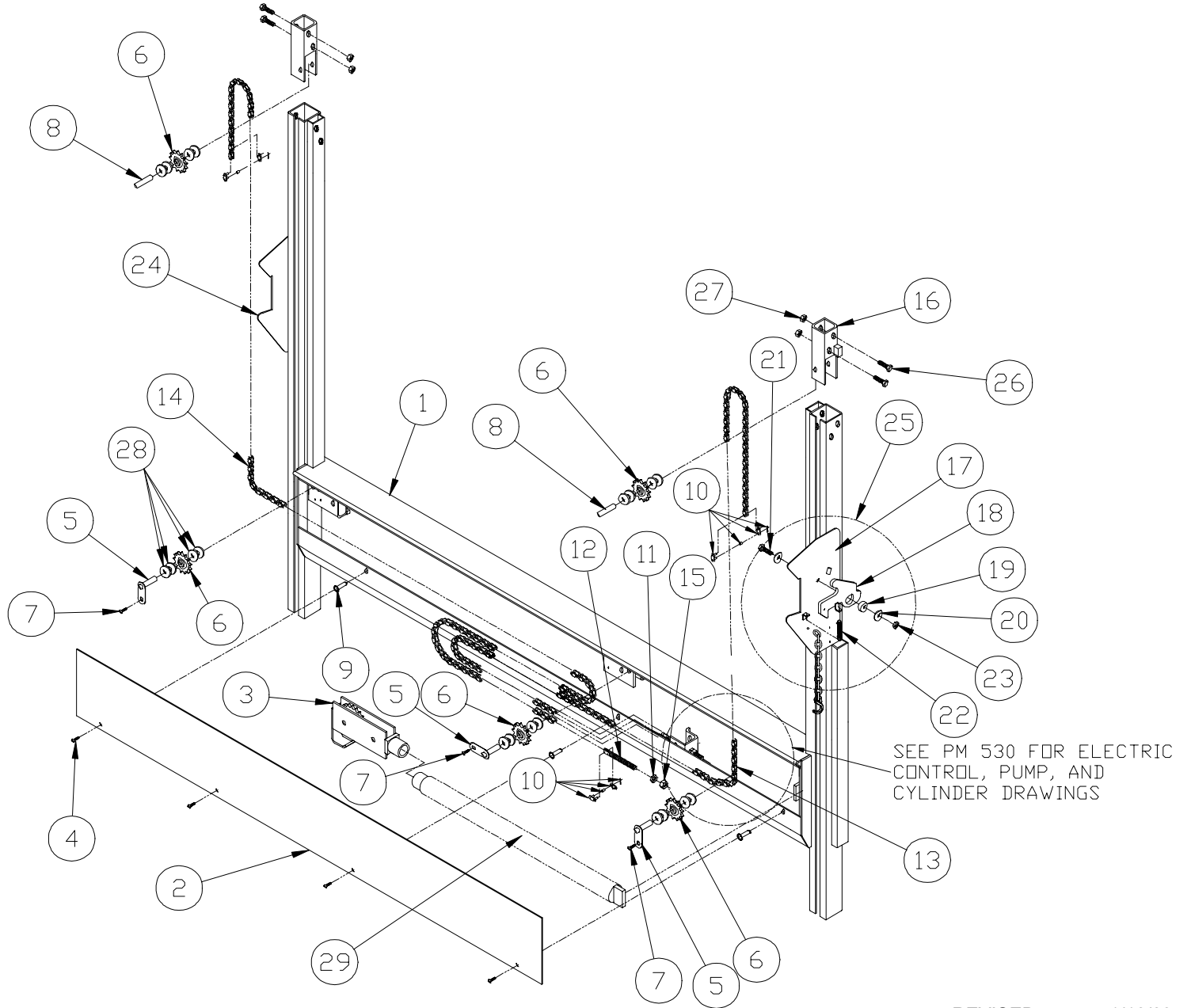
WALTCO  
TRUCK EQUIPMENT CO.  
MDRRM-200

REVISED: 1/10/03  
E.O. 4943  
REV. 03

**PM-549**

| ITEM | PART NUMBER     | QTY | DESCRIPTION  |
|------|-----------------|-----|--|
| 1    | 39720000        | 1   | Mount Frame Assembly (94" OAW)                                   |
|      | 39720010        |     | Mount Frame Assembly (90" OAW)                                   |
|      | 39720020        |     | Mount Frame Assembly (86" OAW)                                   |
| 2    | 39520100        | 1   | Access Door (94 OAW)   |
|      | 39520110        |     | Access Door (90 OAW)   |
|      | 39520120        |     | Access Door (86 OAW)   |
| 3    | 39726000        | 1   | Shoe Assembly  |
| 4    | 75086702        | 4   | 1/4"-20 x 5/8" Pan Head Philips Screw with External Tooth Washer |
| 5    | 39770600        | 4   | Sprocket Pin Assembly  |
| 6    | 34228340        | 4   | 11-Tooth #60 Sprocket with Bearing                               |
| 7    | 75086281        | 4   | Self Tapping Screw   |
| 8    | 75087690        | 4   | Nut Insert   |
| 9    | 80000609        | 4   | Connecting Link Assembly   |
| 10   | 75085111        | 2   | 5/8"-18 Hex Nut  |
| 11   | 34273000        | 2   | Chain Anchor Assembly  |
| 12   | 39773502        | 1   | #60 Roller Chain Assembly  |
| 13   | 39773577        | 1   | #60 Roller Chain Assy. (94" OAW)                                 |
|      | 39773576        |     | #60 Roller Chain Assy. (90" OAW)                                 |
|      | 39773575        |     | #60 Roller Chain Assy. (86" OAW)                                 |
| 14   | 75085184        | 2   | 5/8"-18 Special Locknut  |
| 15   | 39529700        | 1   | Deck Retainer Plate Assembly                                     |
| 16   | 39529710        | 1   | Deck Retainer Latch Assembly                                     |
| 17   | 34029750        | 1   | Delrin Bushing   |
| 18   | 75088056        | 2   | 1/2" Zinc Plated Flat Washer                                     |
| 19   | 75086108        | 1   | 1/2"-13 x 1-1/2" Grade 5 Bolt                                    |
| 20   | 75089752        | 1   | Spring   |
| 21   | 75085162        | 1   | 1/2"-13 Nylock Nut   |
| 22   | 39529720        | 1   | DS Deck Retainer Plate   |
| 23   | 39529000        | 1   | Retainer Assembly Complete                                       |
| 24   | 75088057        | 8   | 5/8" I.D. Washer X .134" THK.                                    |
| 25   | <b>39080050</b> | 1   | 23-1/2" Stroke Hydraulic Cylinder                                |

# MAIN FRAME ASSEMBLY



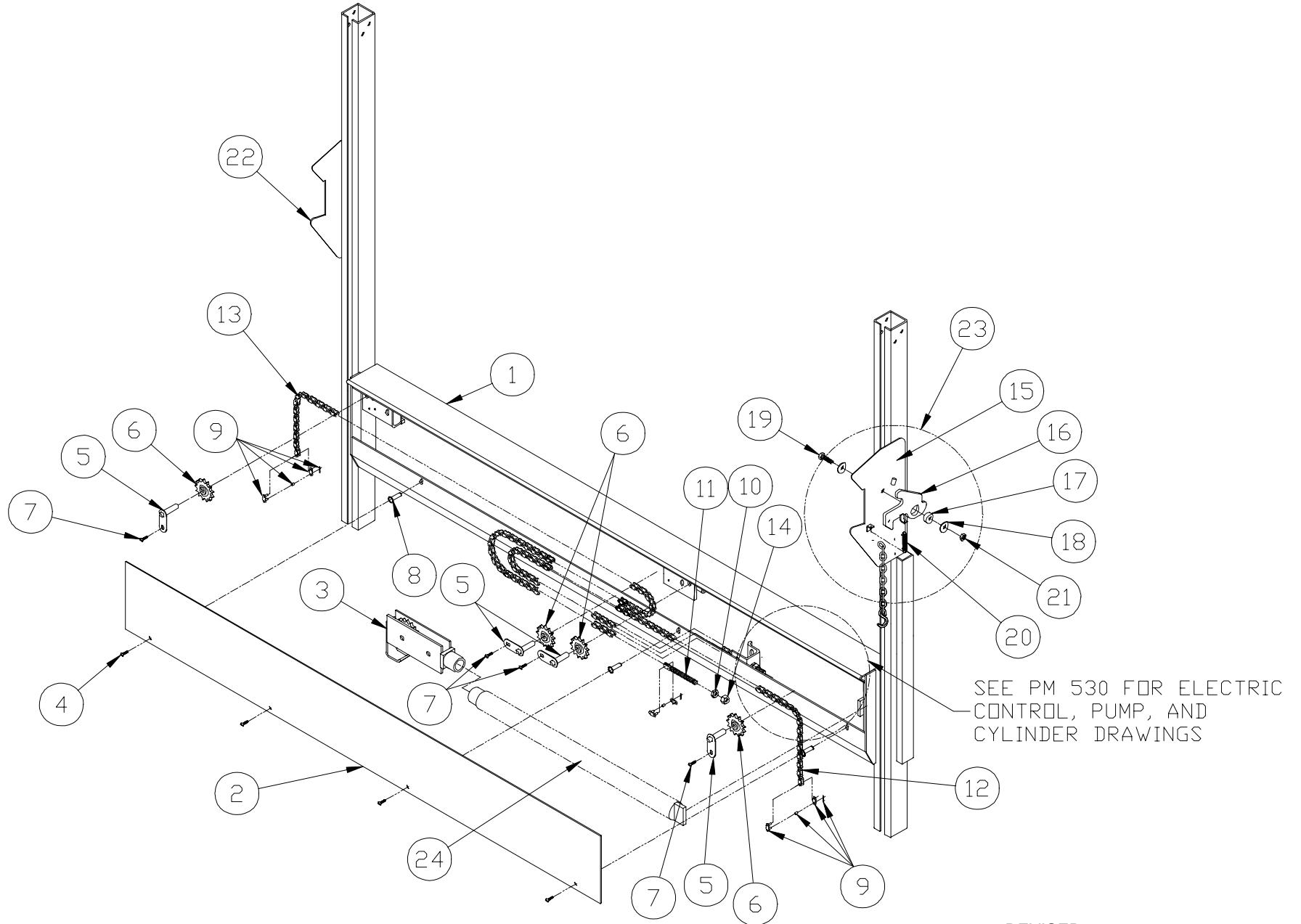
**WALTCO**  
**TRUCK EQUIPMENT CO.**  
**MDRRM - 200AF**

REVISED: 1/10/03  
 E.O. 4943  
 REV. 03

**PM-550**

| ITEM | PART NUMBER | QTY | DESCRIPTION  |
|------|-------------|-----|--|
| 1    | 39920000    | 1   | Mount Frame Assembly (94" OAW)                                   |
|      | 39920010    |     | Mount Frame Assembly (90" OAW)                                   |
|      | 39920020    |     | Mount Frame Assembly (86" OAW)                                   |
| 2    | 39520100    | 1   | Access Door (94 OAW)   |
|      | 39520110    |     | Access Door (90 OAW)   |
|      | 39520120    |     | Access Door (86 OAW)   |
| 3    | 39726000    | 1   | Shoe Assembly  |
| 4    | 75086702    | 4   | 1/4"-20 x 5/8" Pan Head Philips Screw with External Tooth Washer |
| 5    | 39770600    | 3   | Sprocket Pin Assembly  |
| 6    | 34228340    | 5   | 11-Tooth #60 Sprocket with Bearing                               |
| 7    | 75086281    | 3   | Self Tapping Screw   |
| 8    | 33025200    | 2   | Shoe Pin   |
| 9    | 75087690    | 4   | Nut Insert   |
| 10   | 80000609    | 4   | Connecting Link Assembly   |
| 11   | 75085111    | 2   | 5/8"-18 Hex Nut  |
| 12   | 34273000    | 2   | Chain Anchor Assembly  |
| 13   | 39973501    | 1   | #60 Roller Chain Assembly  |
| 14   | 39973551    | 1   | #60 Roller Chain Assembly (94" OAW)                              |
|      | 39973561    |     | #60 Roller Chain Assembly (90" OAW)                              |
|      | 39973571    |     | #60 Roller Chain Assembly (86" OAW)                              |
| 15   | 75085184    | 2   | 5/8"-18 Special Locknut  |
| 16   | 39124375    | 2   | Sprocket Mount   |
| 17   | 39529700    | 1   | Deck Retainer Plate Assembly                                     |
| 18   | 39529710    | 1   | Deck Retainer Latch Assembly                                     |
| 19   | 34029750    | 1   | Delrin Bushing   |
| 20   | 75088056    | 2   | 1/2" Zinc Plated Flat Washer                                     |
| 21   | 75086108    | 1   | 1/2"-13 x 1-1/2" Grade 5 Bolt                                    |
| 22   | 75089752    | 1   | Spring   |
| 23   | 75085162    | 1   | 1/2"-13 Nylock Nut   |
| 24   | 39529720    | 1   | DS Deck Retainer Plate   |
| 25   | 39529000    | 1   | Retainer Assembly Complete                                       |
| 26   | 75086224    | 4   | 7/16"-14 x 5" Hex Bolt, Grade 8                                  |
| 27   | 75085178    | 4   | 7/16"-14 Locknut, Stover Grade C                                 |
| 28   | 75088057    | 20  | 5/8" I.D. Washer X .134" THK.                                    |
| 29   | 39580050    | 1   | 27" Stroke Hydraulic Cylinder                                    |

# MAIN FRAME ASSEMBLY



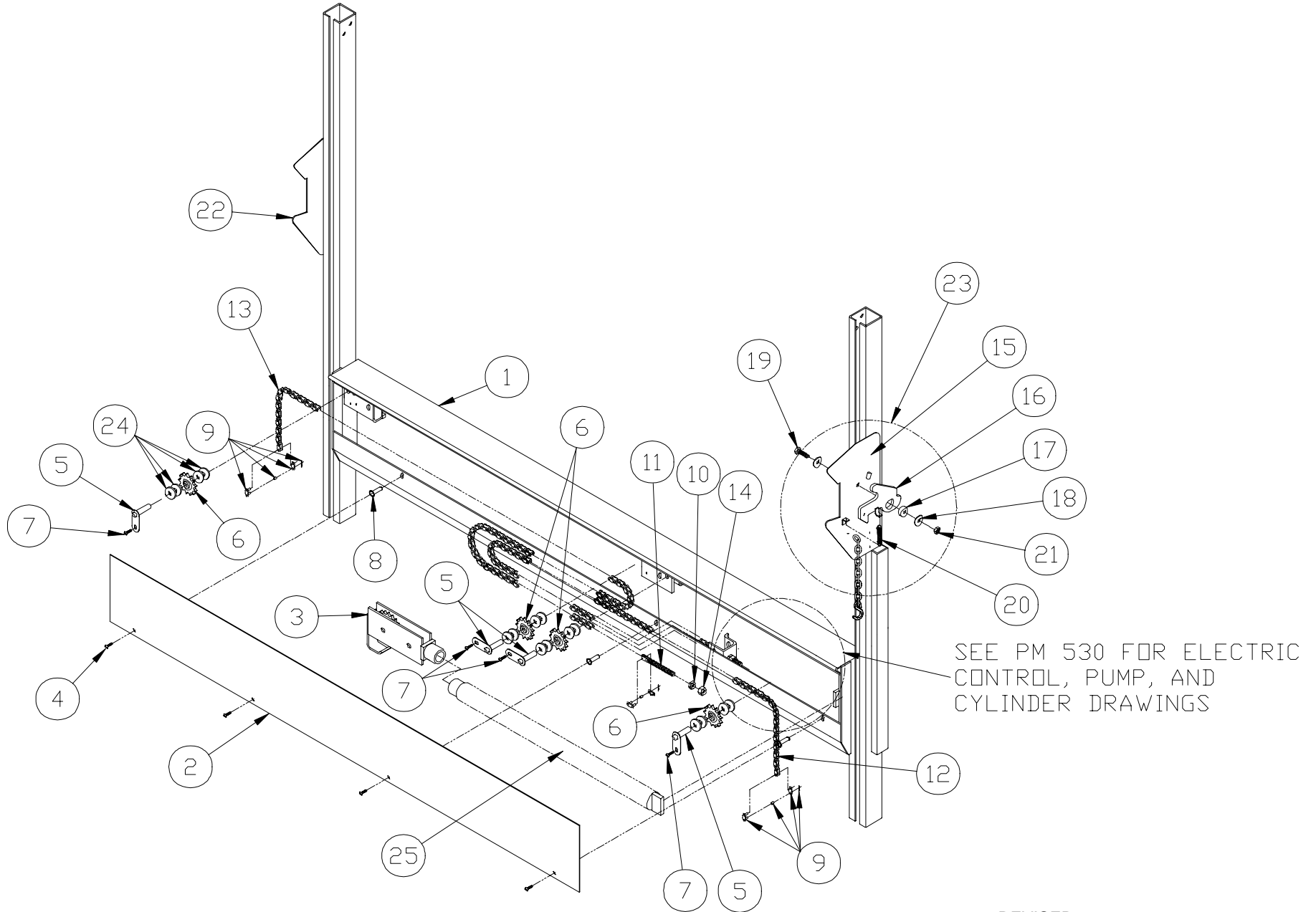
WALTCO  
TRUCK EQUIPMENT CO.  
MDR - 125, 160

REVISED: 05-02-03  
E.O. 5066  
REV. 01

**PM-233B**

| ITEM | PART NUMBER | QTY | DESCRIPTION  |
|------|-------------|-----|--|
| 1    | 39520000    | 1   | Mount Frame Assembly (94" OAW)                                   |
|      | 39520010    |     | Mount Frame Assembly (90" OAW)                                   |
|      | 39520020    |     | Mount Frame Assembly (86" OAW)                                   |
| 2    | 39520100    | 1   | Access Door (94 OAW)   |
|      | 39520110    |     | Access Door (90 OAW)   |
|      | 39520120    |     | Access Door (86 OAW)   |
| 3    | 39026000    | 1   | Shoe Assembly  |
| 4    | 75086702    | 4   | 1/4"-20 x 5/8" Pan Head Philips Screw with External Tooth Washer |
| 5    | 39070600    | 4   | Sprocket Pin Assembly  |
| 6    | 39528310    | 4   | 13-Tooth Sprocket with Bearing                                   |
| 7    | 75086281    | 4   | Self Tapping Screw   |
| 8    | 75087690    | 4   | Nut Insert   |
| 9    | 75081113    | 4   | Connecting Link Assembly   |
| 10   | 75085111    | 2   | 5/8"-18 Hex Nut  |
| 11   | 39073000    | 2   | Chain Anchor Assembly  |
| 12   | 39073501    | 1   | #50 Roller Chain Assembly  |
| 13   | 39573551    | 1   | #50 Roller Chain Assy. (94" OAW)                                 |
|      | 39573561    |     | #50 Roller Chain Assy. (90" OAW)                                 |
|      | 39573571    |     | #50 Roller Chain Assy. (86" OAW)                                 |
| 14   | 75085184    |     | 5/8"-18 Special Locknut  |
| 15   | 39529700    | 1   | Deck Retainer Plate Assembly                                     |
| 16   | 39529710    | 1   | Deck Retainer Latch Assembly                                     |
| 17   | 34029750    | 1   | Delrin Bushing   |
| 18   | 75088056    | 2   | 1/2" Zinc Plated Flat Washer                                     |
| 19   | 75086108    | 1   | 1/2"-13 x 1-1/2" Grade 5 Bolt                                    |
| 20   | 75089752    | 1   | Spring   |
| 21   | 75085162    | 1   | 1/2"-13 Nylock Nut   |
| 22   | 39529720    | 1   | DS Deck Retainer Plate   |
| 23   | 39529000    | 1   | Retainer Assembly Complete                                       |
| 24   | 39580050    | 1   | 23-1/2" Stroke Hydraulic Cylinder                                |

# MAIN FRAME ASSEMBLY



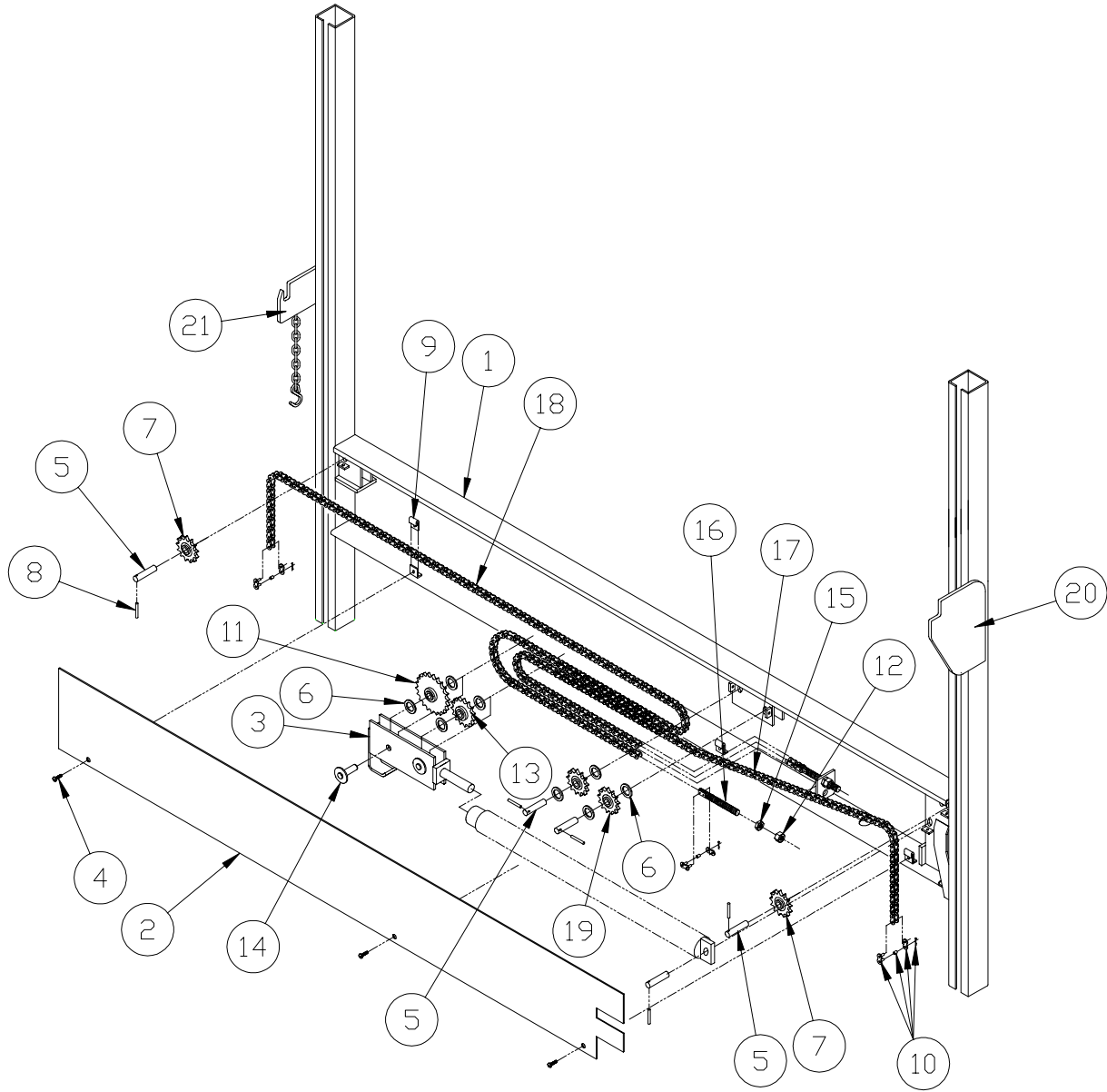
WALTCO  
TRUCK EQUIPMENT CO.  
MDRRM-200

REVISED: 05-02-03  
E.O. 5066  
REV. 01

**PM-549A**

| ITEM | PART NUMBER | QTY | DESCRIPTION  |
|------|-------------|-----|--|
| 1    | 39720000    | 1   | Mount Frame Assembly (94" OAW)                                   |
|      | 39720010    |     | Mount Frame Assembly (90" OAW)                                   |
|      | 39720020    |     | Mount Frame Assembly (86" OAW)                                   |
| 2    | 39520100    | 1   | Access Door (94 OAW)   |
|      | 39520110    |     | Access Door (90 OAW)   |
|      | 39520120    |     | Access Door (86 OAW)   |
| 3    | 39726000    | 1   | Shoe Assembly  |
| 4    | 75086702    | 4   | 1/4"-20 x 5/8" Pan Head Philips Screw with External Tooth Washer |
| 5    | 39770600    | 4   | Sprocket Pin Assembly  |
| 6    | 34228340    | 4   | 11-Tooth #60 Sprocket with Bearing                               |
| 7    | 75086281    | 4   | Self Tapping Screw   |
| 8    | 75087690    | 4   | Nut Insert   |
| 9    | 80000609    | 4   | Connecting Link Assembly   |
| 10   | 75085111    | 2   | 5/8"-18 Hex Nut  |
| 11   | 34273000    | 2   | Chain Anchor Assembly  |
| 12   | 39773500    | 1   | #60 Roller Chain Assembly  |
| 13   | 39773562    | 1   | #60 Roller Chain Assy. (94" OAW)                                 |
|      | 39773561    |     | #60 Roller Chain Assy. (90" OAW)                                 |
|      | 39773571    |     | #60 Roller Chain Assy. (86" OAW)                                 |
| 14   | 75085184    | 2   | 5/8"-18 Special Locknut  |
| 15   | 39529700    | 1   | Deck Retainer Plate Assembly                                     |
| 16   | 39529710    | 1   | Deck Retainer Latch Assembly                                     |
| 17   | 34029750    | 1   | Delrin Bushing   |
| 18   | 75088056    | 2   | 1/2" Zinc Plated Flat Washer                                     |
| 19   | 75086108    | 1   | 1/2"-13 x 1-1/2" Grade 5 Bolt                                    |
| 20   | 75089752    | 1   | Spring   |
| 21   | 75085162    | 1   | 1/2"-13 Nylock Nut   |
| 22   | 39529720    | 1   | DS Deck Retainer Plate   |
| 23   | 39529000    | 1   | Retainer Assembly Complete                                       |
| 24   | 75088057    | 8   | 5/8" I.D. Washer X .134" THK.                                    |
| 25   | 39580050    | 1   | 23-1/2" Stroke Hydraulic Cylinder                                |

**MAIN FRAME ASSEMBLY**



**WALTCO  
TRUCK EQUIPMENT CO.  
MDR-125C, 160C**

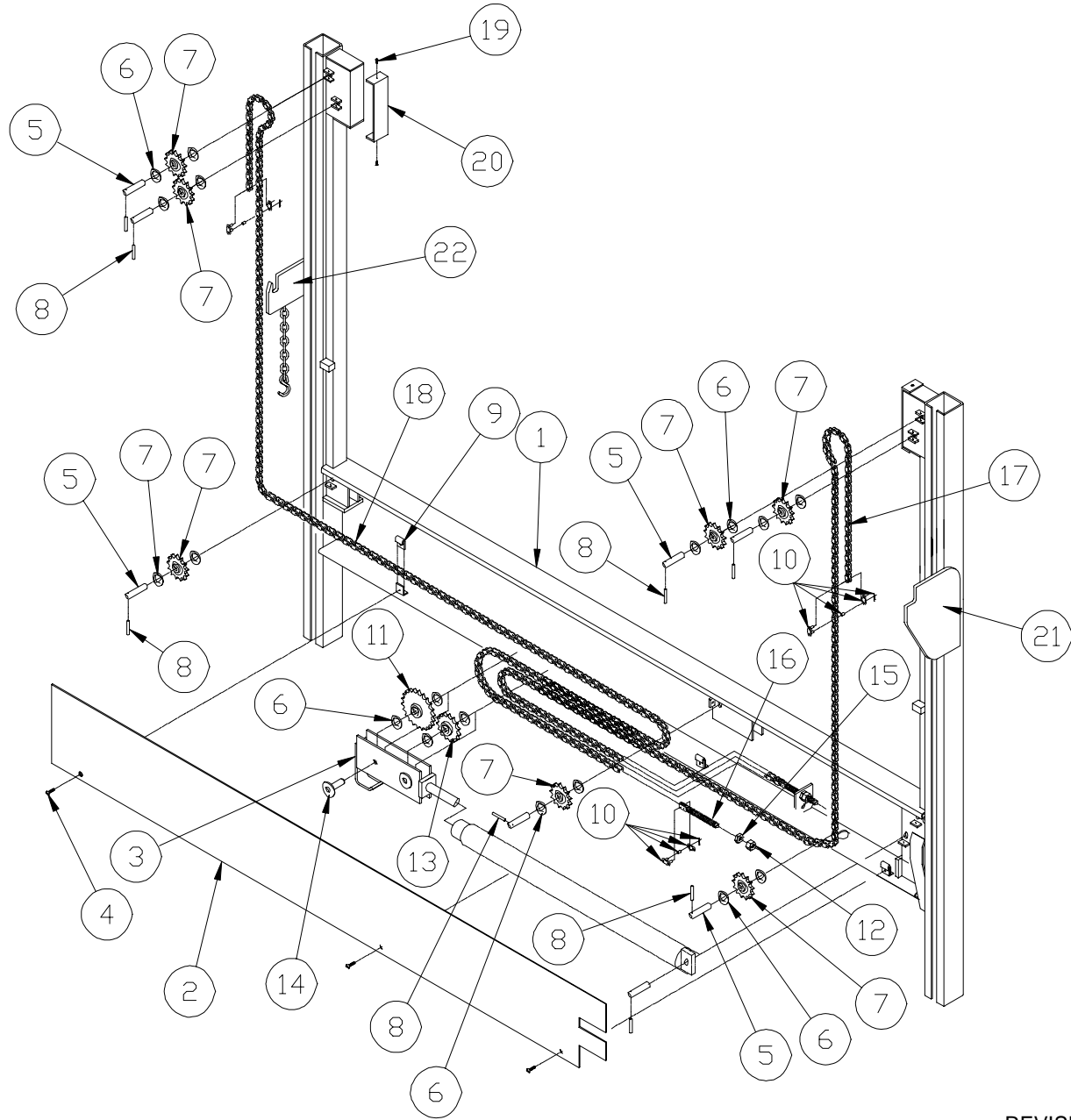
REVISED: 10-2-98  
E.O. 3713  
REV. 02

**PM-460**

| ITEM | PART NUMBER | QTY | DESCRIPTION                       |
|------|-------------|-----|-----------------------------------|
| 1    | 33520050    | 1   | Mount Frame Assembly (94" OAW)    |
|      | 33520060    | 1   | Mount Frame Assembly (90" OAW)    |
|      | 33520070    | 1   | Mount Frame Assembly (86" OAW)    |
| 2    | 33520150    | 1   | Access Door (94" OAW)             |
|      | 33520151    | 1   | Access Door (90" OAW)             |
|      | 33520152    | 1   | Access Door (86" OAW)             |
| 3    | 33027000    | 1   | Shoe Assembly                     |
| 4    | 75087585    | 3   | 3/8"-16 x 1" Truss Head Screw     |
| 5    | 33070600    | 5   | Sprocket Pin                      |
| 6    | 75081223    | 8   | Bronze Washer                     |
| 7    | 33028040    | 2   | 13 Tooth Sprocket with Bearing    |
| 8    | 75089553    | 5   | Coiled Pin                        |
| 9    | 75085165    | 3   | Nut Retainer                      |
| 10   | 80000419    | 4   | Connecting Link Assembly          |
| 11   | 33028030    | 1   | 22 Tooth Sprocket with Bearing    |
| 12   | 75085184    | 2   | 5/8"-18 Special Locknut           |
| 13   | 33028020    | 1   | 15 Tooth Sprocket with Bearing    |
| 14   | 33027500    | 2   | Shoe Pin Assembly                 |
| 15   | 75085111    | 2   | 5/8"-18 Hex Nut                   |
| 16   | 33073000    | 2   | Chain Anchor Assembly             |
| 17   | 33072600    | 1   | #50 Roller Chain                  |
| 18   | 33572650    | 1   | #50 Roller Chain (94" OAW)        |
|      | 33072650    | 1   | #50 Roller Chain (90" OAW)        |
|      | 33572750    | 1   | #50 Roller Chain (86" OAW)        |
| 19   | 33028010    | 2   | 13 Tooth Sprocket with Bearing    |
| 20   | 33540600    | 1   | Deck Retainer Plate (Curb Side)   |
| 21   | 33540650    | 1   | Deck Retainer Plate (Street Side) |



# MAIN FRAME ASSEMBLY



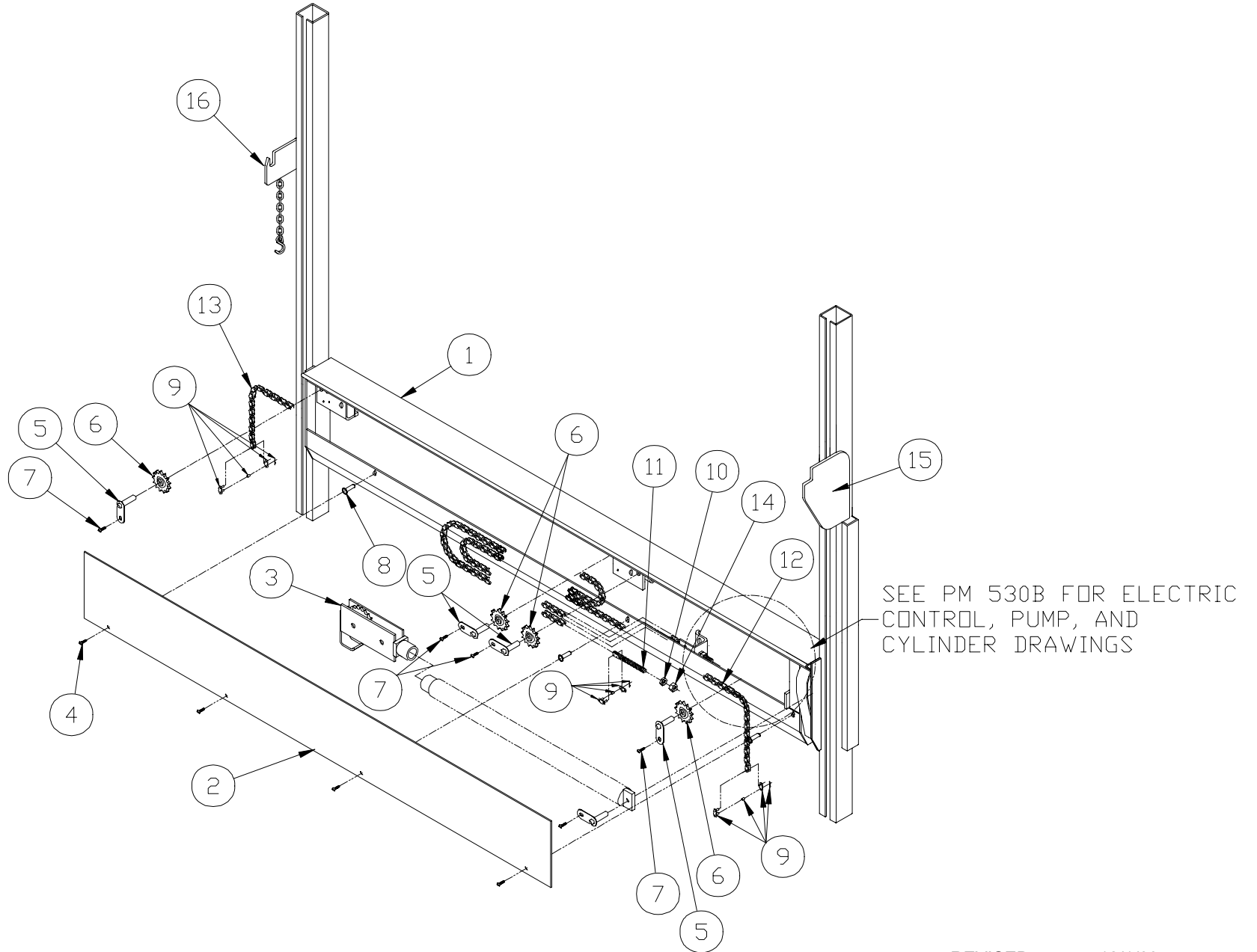
WALTCO  
TRUCK EQUIPMENT CO.  
MDR-125AFC, 160AFC

REVISED: 10-2-98  
E.O. 3713  
REV. 02

PM-461

| ITEM | PART NUMBER | QTY | DESCRIPTION                       |
|------|-------------|-----|-----------------------------------|
| 1    | 33620050    | 1   | Mount Frame Assembly (94" OAW)    |
|      | 33620060    | 1   | Mount Frame Assembly (90" OAW)    |
|      | 33620070    | 1   | Mount Frame Assembly (86" OAW)    |
| 2    | 33520150    | 1   | Access Door (94" OAW)             |
|      | 33520151    | 1   | Access Door (90" OAW)             |
|      | 33520152    | 1   | Access Door (86" OAW)             |
| 3    | 33027000    | 1   | Shoe Assembly                     |
| 4    | 75087585    | 3   | 3/8"-16 x 1" Truss Head Screw     |
| 5    | 33070600    | 7   | Sprocket Pin                      |
| 6    | 75081223    | 18  | Bronze Washer                     |
| 7    | 33028040    | 7   | 13 Tooth Sprocket with Bearing    |
| 8    | 75089553    | 8   | Coiled Pin                        |
| 9    | 75085165    | 3   | Nut Retainer                      |
| 10   | 80000419    | 4   | Connecting Link Assembly          |
| 11   | 33028030    | 1   | 22 Tooth Sprocket with Bearing    |
| 12   | 75085184    | 2   | 5/8"-18 Special Locknut           |
| 13   | 33028020    | 1   | 15 Tooth Sprocket with Bearing    |
| 14   | 33027500    | 2   | Shoe Pin Assembly                 |
| 15   | 75085111    | 2   | 5/8"-18 Hex Nut                   |
| 16   | 33073000    | 2   | Chain Anchor Assembly             |
| 17   | 33173501    | 1   | #50 Roller Chain                  |
| 18   | 33673551    | 1   | #50 Roller Chain (94" OAW)        |
|      | 33173551    | 1   | #50 Roller Chain (90" OAW)        |
|      | 33673751    | 1   | #50 Roller Chain (86" OAW)        |
| 19   | 75086852    | 4   | #8-32 x 3/8" Self Tapping Screw   |
| 20   | 33171600    | 2   | Sprocket Cover                    |
| 21   | 33540600    | 1   | Deck Retainer Plate (Curb Side)   |
| 22   | 33540650    | 1   | Deck Retainer Plate (Street Side) |

**MAIN FRAME ASSEMBLY**



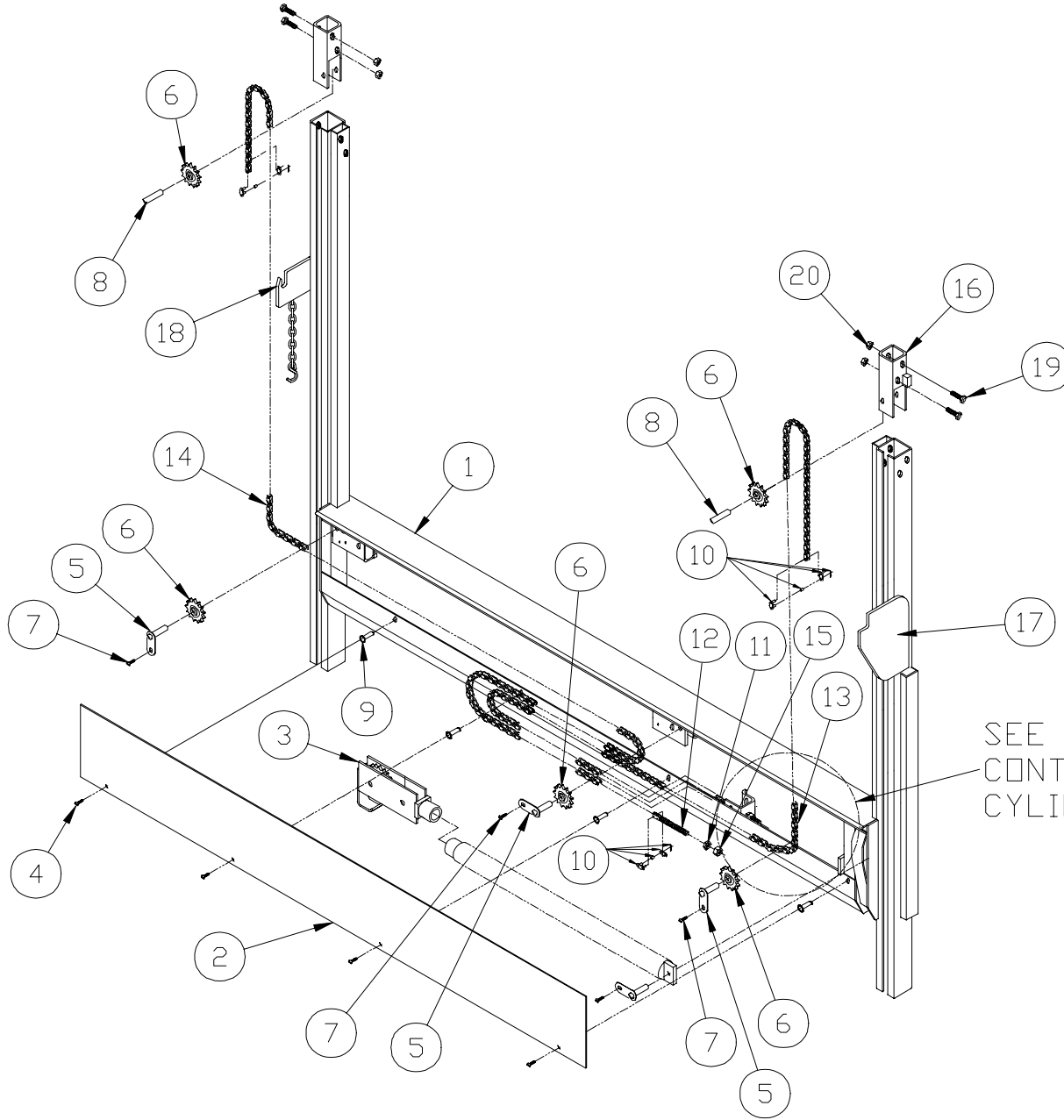
**WALTCO**  
**TRUCK EQUIPMENT CO.**  
**MDRRM-125C, 160C**

REVISED: 12/1/03  
 E.O. 5221  
 REV. 01

**PM-460C**

| ITEM | PART NUMBER | QTY | DESCRIPTION                       |
|------|-------------|-----|-----------------------------------|
| 1    | 39520000    | 1   | Mount Frame Assembly (94" OAW)    |
|      | 39520010    | 1   | Mount Frame Assembly (90" OAW)    |
|      | 39520020    | 1   | Mount Frame Assembly (86" OAW)    |
| 2    | 39520100    | 1   | Access Door (94" OAW)             |
|      | 39520110    | 1   | Access Door (90" OAW)             |
|      | 39520120    | 1   | Access Door (86" OAW)             |
| 3    | 39026000    | 1   | Shoe Assembly                     |
| 4    | 75081045    | 4   | 1/4"-20 x 1/2" Round Head Screw   |
| 5    | 39070600    | 4   | Sprocket Pin Assembly             |
| 6    | 39528310    | 4   | 13 Tooth Sprocket with Bearing    |
| 7    | 75086281    | 4   | Self Tapping Screw                |
| 8    | 75087690    | 4   | Nut Insert                        |
| 9    | 80000419    | 4   | Connecting Link Assembly          |
| 10   | 75085111    | 2   | 5/8"-18 Hex Nut                   |
| 11   | 33073000    | 2   | Chain Anchor Assembly             |
| 12   | 33072600    | 1   | #50 Roller Chain                  |
| 13   | 33572650    | 1   | #50 Roller Chain (94" OAW)        |
|      | 33072650    | 1   | #50 Roller Chain (90" OAW)        |
|      | 33572750    | 1   | #50 Roller Chain (86" OAW)        |
| 14   | 75085184    | 2   | 5/8"-18 Special Locknut           |
| 15   | 39540610    | 1   | Deck Retainer Plate (Curb Side)   |
| 16   | 39540660    | 1   | Deck Retainer Plate (Street Side) |

# MAIN FRAME ASSEMBLY



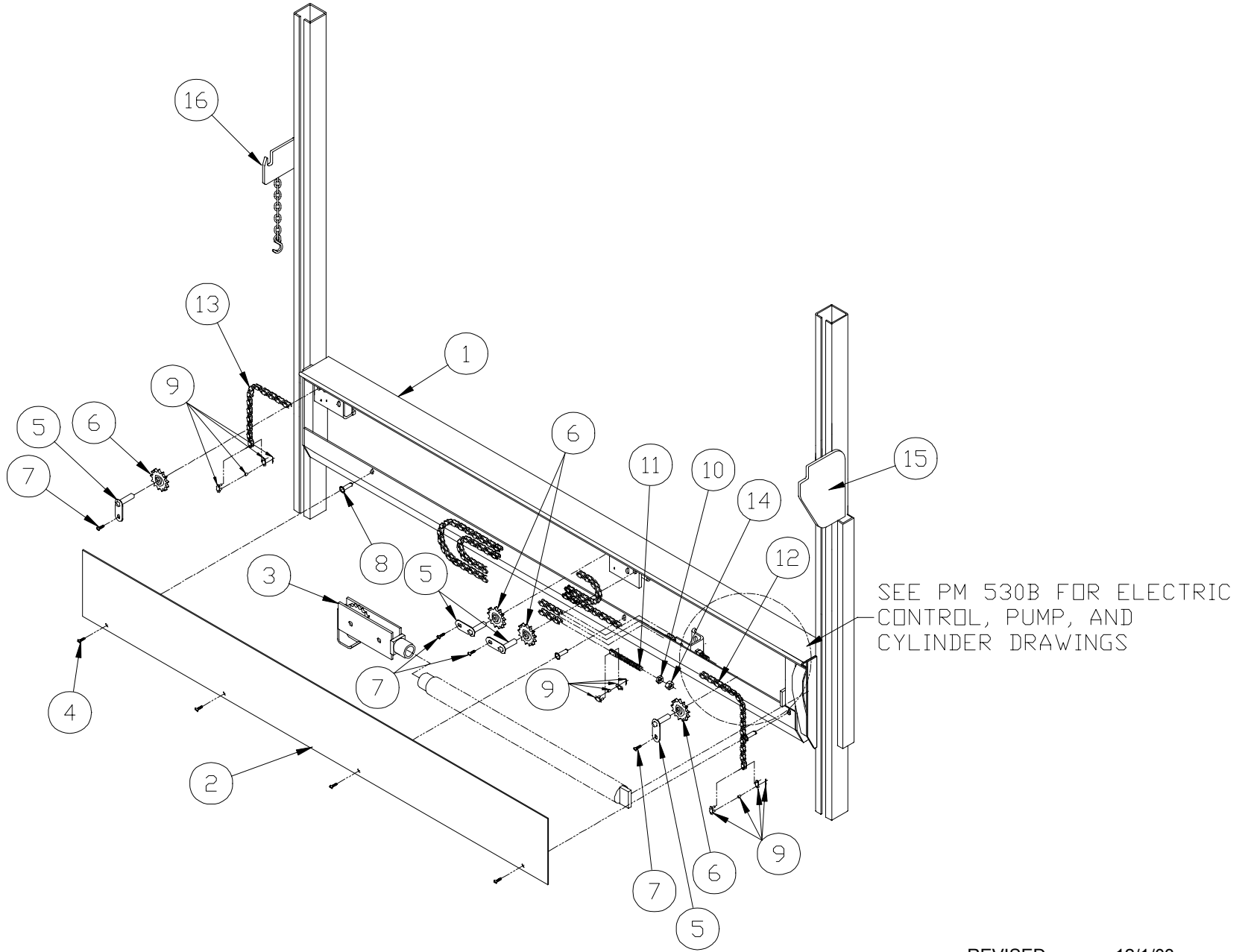
**WALTCO**  
**TRUCK EQUIPMENT CO.**  
**MDRRM-125AFC, 160AFC**

REVISED: 12/1/03  
 E.O. 5221  
 REV. 01

**PM-461B**

| ITEM | PART NUMBER | QTY | DESCRIPTION                       |
|------|-------------|-----|-----------------------------------|
| 1    | 39620000    | 1   | Mount Frame Assembly (94" OAW)    |
|      | 39620010    | 1   | Mount Frame Assembly (90" OAW)    |
|      | 39620020    | 1   | Mount Frame Assembly (86" OAW)    |
| 2    | 39520100    | 1   | Access Door (94" OAW)             |
|      | 39520110    | 1   | Access Door (90" OAW)             |
|      | 39520120    | 1   | Access Door (86" OAW)             |
| 3    | 39026000    | 1   | Shoe Assembly                     |
| 4    | 75081045    | 4   | 1/4"-20 x 1/2" Round Head Screw   |
| 5    | 39070600    | 4   | Sprocket Pin Assembly             |
| 6    | 39528310    | 5   | 13 Tooth Sprocket with Bearing    |
| 7    | 75086281    | 3   | Self Tapping Screw                |
| 8    | 33025200    | 2   | Shoe Pin                          |
| 9    | 75087690    | 4   | Nut Insert                        |
| 10   | 80000419    | 4   | Connecting Link Assembly          |
| 11   | 75085111    | 2   | 5/8"-18 Hex Nut                   |
| 12   | 33073000    | 2   | Chain Anchor Assembly             |
| 13   | 33072600    | 1   | #50 Roller Chain                  |
| 14   | 33572650    | 1   | #50 Roller Chain (94" OAW)        |
|      | 33072650    | 1   | #50 Roller Chain (90" OAW)        |
|      | 33572750    | 1   | #50 Roller Chain (86" OAW)        |
| 15   | 75085184    | 2   | 5/8"-18 Special Locknut           |
| 16   | 39124375    | 2   | Sprocket Mount                    |
| 17   | 39540610    | 1   | Deck Retainer Plate (Curb Side)   |
| 18   | 39540660    | 1   | Deck Retainer Plate (Street Side) |
| 19   | 75086224    | 4   | 7/16"-14 x 5" Hex Bolt, Grade 8   |
| 20   | 75085178    | 4   | 7/16"-14 Locknut, Stover Grade C  |

# MAIN FRAME ASSEMBLY



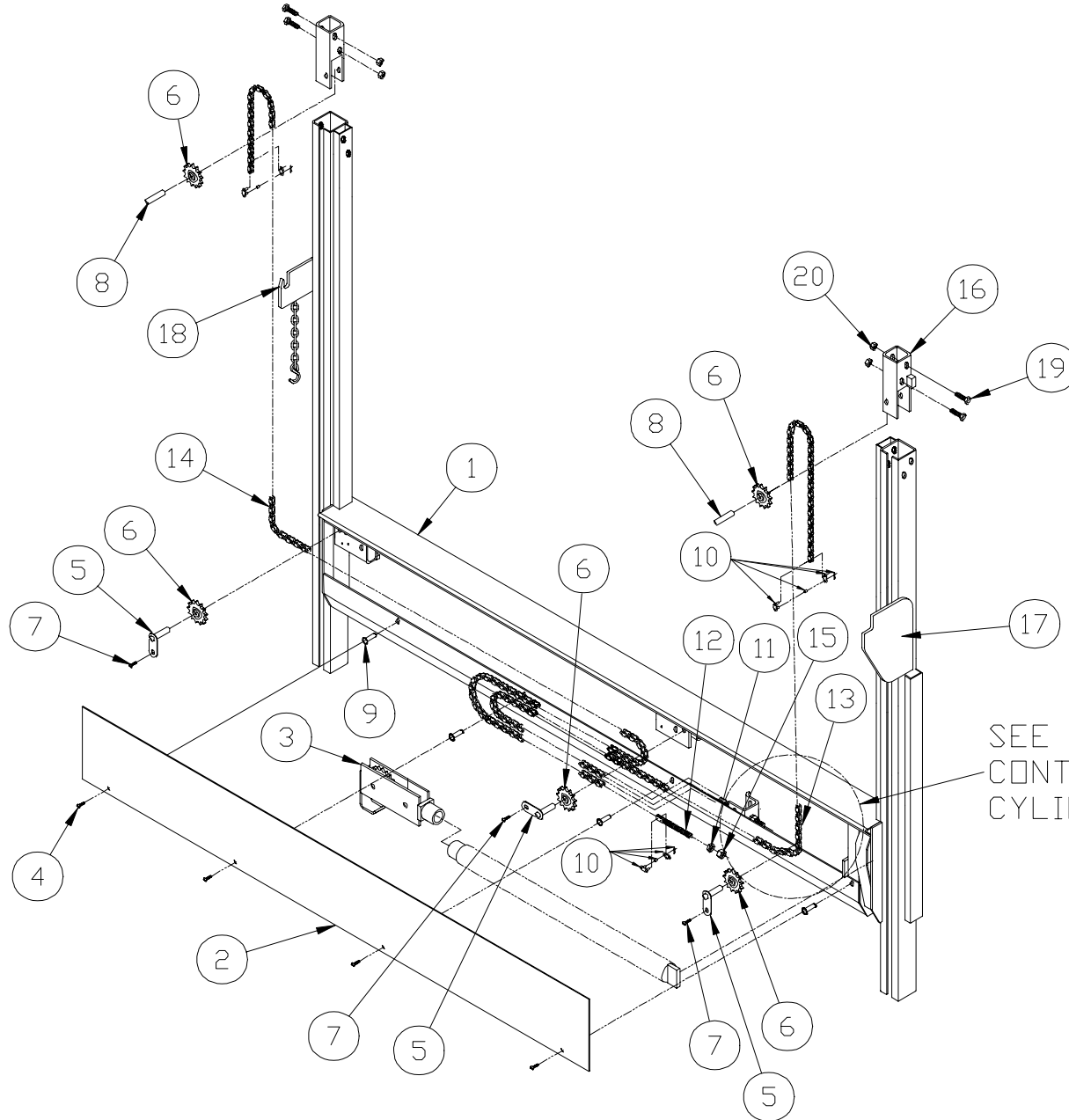
**WALTCO**  
**TRUCK EQUIPMENT CO.**  
**MDRRM-125C, 160C**

REVISED: 12/1/03  
 E.O. 5221  
 REV. 01

**PM-460D**

| ITEM | PART NUMBER | QTY | DESCRIPTION   |
|------|-------------|-----|---|
| 1    | 39520050    | 1   | Mount Frame Assembly (94" OAW)                                    |
|      | 39520060    | 1   | Mount Frame Assembly (90" OAW)                                    |
|      | 39520070    | 1   | Mount Frame Assembly (86" OAW)                                    |
| 2    | 39520123    | 1   | Access Door (94" OAW)   |
|      | 39520113    | 1   | Access Door (90" OAW)   |
|      | 39520103    | 1   | Access Door (86" OAW)   |
| 3    | 39026000    | 1   | Shoe Assembly   |
| 4    | 75086702    | 4   | 1/4"-20 x 5/8" Pan Head Phillips Screw with External Tooth Washer |
| 5    | 39070600    | 4   | Sprocket Pin Assembly   |
| 6    | 39528310    | 4   | 13 Tooth Sprocket with Bearing                                    |
| 7    | 75086281    | 4   | Self Tapping Screw  |
| 8    | 75087690    | 4   | Nut Insert  |
| 9    | 80000419    | 4   | Connecting Link Assembly  |
| 10   | 75085111    | 2   | 5/8"-18 Hex Nut   |
| 11   | 39073000    | 2   | Chain Anchor Assembly   |
| 12   | 39073501    | 1   | #50 Roller Chain  |
| 13   | 39573551    | 1   | #50 Roller Chain (94" OAW)  |
|      | 39573561    | 1   | #50 Roller Chain (90" OAW)  |
|      | 39573571    | 1   | #50 Roller Chain (86" OAW)  |
| 14   | 75085184    | 2   | 5/8"-18 Special Locknut   |
| 15   | 39540610    | 1   | Deck Retainer Plate (Curb Side)                                   |
| 16   | 39540660    | 1   | Deck Retainer Plate (Street Side)                                 |

# MAIN FRAME ASSEMBLY



SEE PM 530B FOR ELECTRIC CONTROL, PUMP, AND CYLINDER DRAWINGS

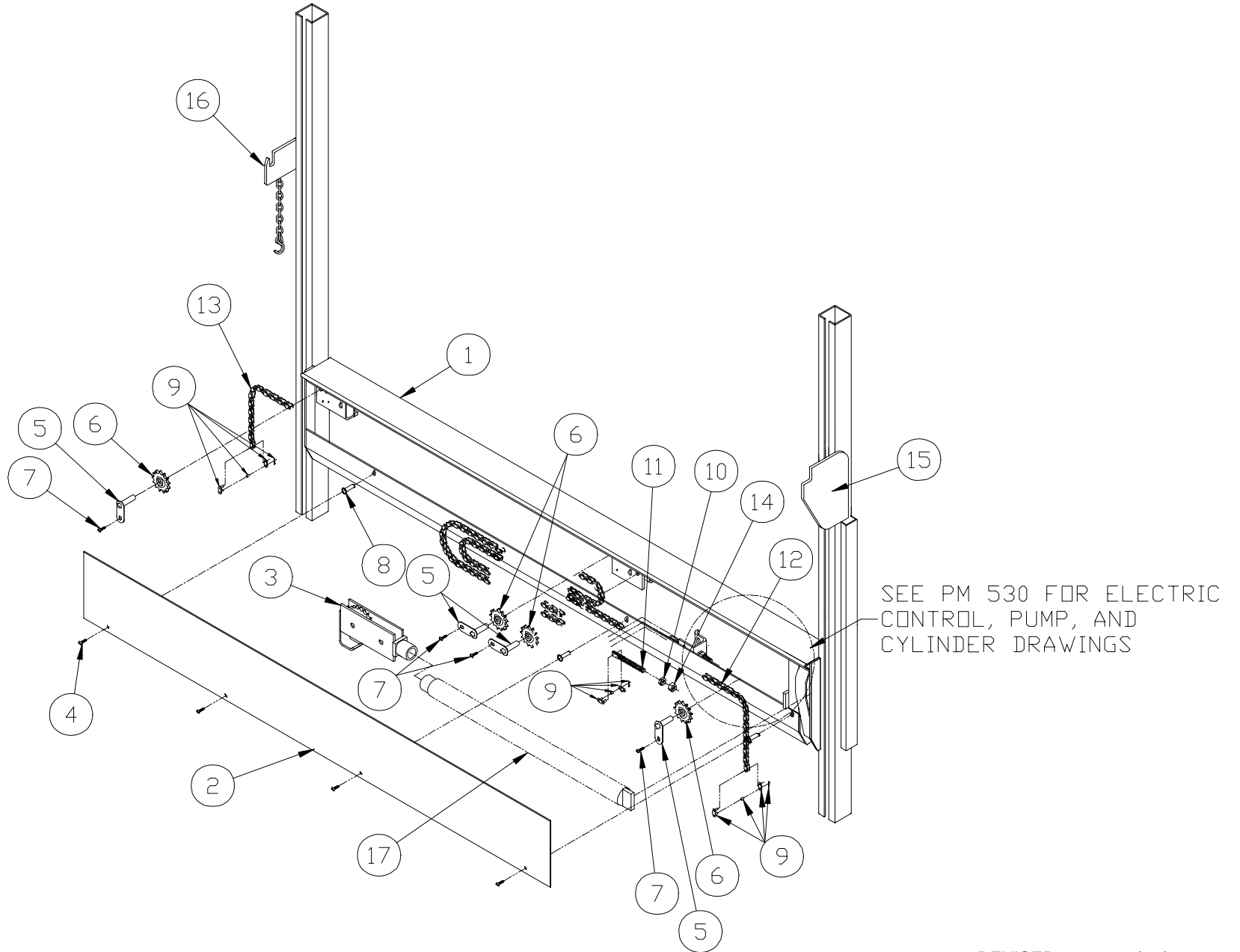
**WALTCO**  
**TRUCK EQUIPMENT CO.**  
**MDRRM-125AFC, 160AFC**

REVISED: 12/1/03  
 E.O. 5221  
 REV. 01

**PM-461C**

| ITEM | PART NUMBER | QTY | DESCRIPTION   |
|------|-------------|-----|---|
| 1    | 39620050    | 1   | Mount Frame Assembly (94" OAW)                                    |
|      | 39620060    | 1   | Mount Frame Assembly (90" OAW)                                    |
|      | 39620070    | 1   | Mount Frame Assembly (86" OAW)                                    |
| 2    | 39520123    | 1   | Access Door (94" OAW)   |
|      | 39520113    | 1   | Access Door (90" OAW)   |
|      | 39520103    | 1   | Access Door (86" OAW)   |
| 3    | 39026000    | 1   | Shoe Assembly   |
| 4    | 75086702    | 4   | 1/4"-20 x 5/8" Pan Head Phillips Screw with External Tooth Washer |
| 5    | 39070600    | 3   | Sprocket Pin Assembly   |
| 6    | 39528310    | 5   | 13 Tooth Sprocket with Bearing                                    |
| 7    | 75086281    | 3   | Self Tapping Screw  |
| 8    | 33025200    | 2   | Shoe Pin  |
| 9    | 75087690    | 4   | Nut Insert  |
| 10   | 80000419    | 4   | Connecting Link Assembly  |
| 11   | 75085111    | 2   | 5/8"-18 Hex Nut   |
| 12   | 33073000    | 2   | Chain Anchor Assembly   |
| 13   | 39173501    | 1   | #50 Roller Chain  |
| 14   | 39673551    | 1   | #50 Roller Chain (94" OAW)  |
|      | 39673561    | 1   | #50 Roller Chain (90" OAW)  |
|      | 39673571    | 1   | #50 Roller Chain (86" OAW)  |
| 15   | 75085184    | 2   | 5/8"-18 Special Locknut   |
| 16   | 39124375    | 2   | Sprocket Mount  |
| 17   | 39540610    | 1   | Deck Retainer Plate (Curb Side)                                   |
| 18   | 39540660    | 1   | Deck Retainer Plate (Street Side)                                 |
| 19   | 75086224    | 4   | 7/16"-14 x 5" Hex Bolt, Grade 8                                   |
| 20   | 75085178    | 4   | 7/16"-14 Locknut, Stover Grade C                                  |

# MAIN FRAME ASSEMBLY



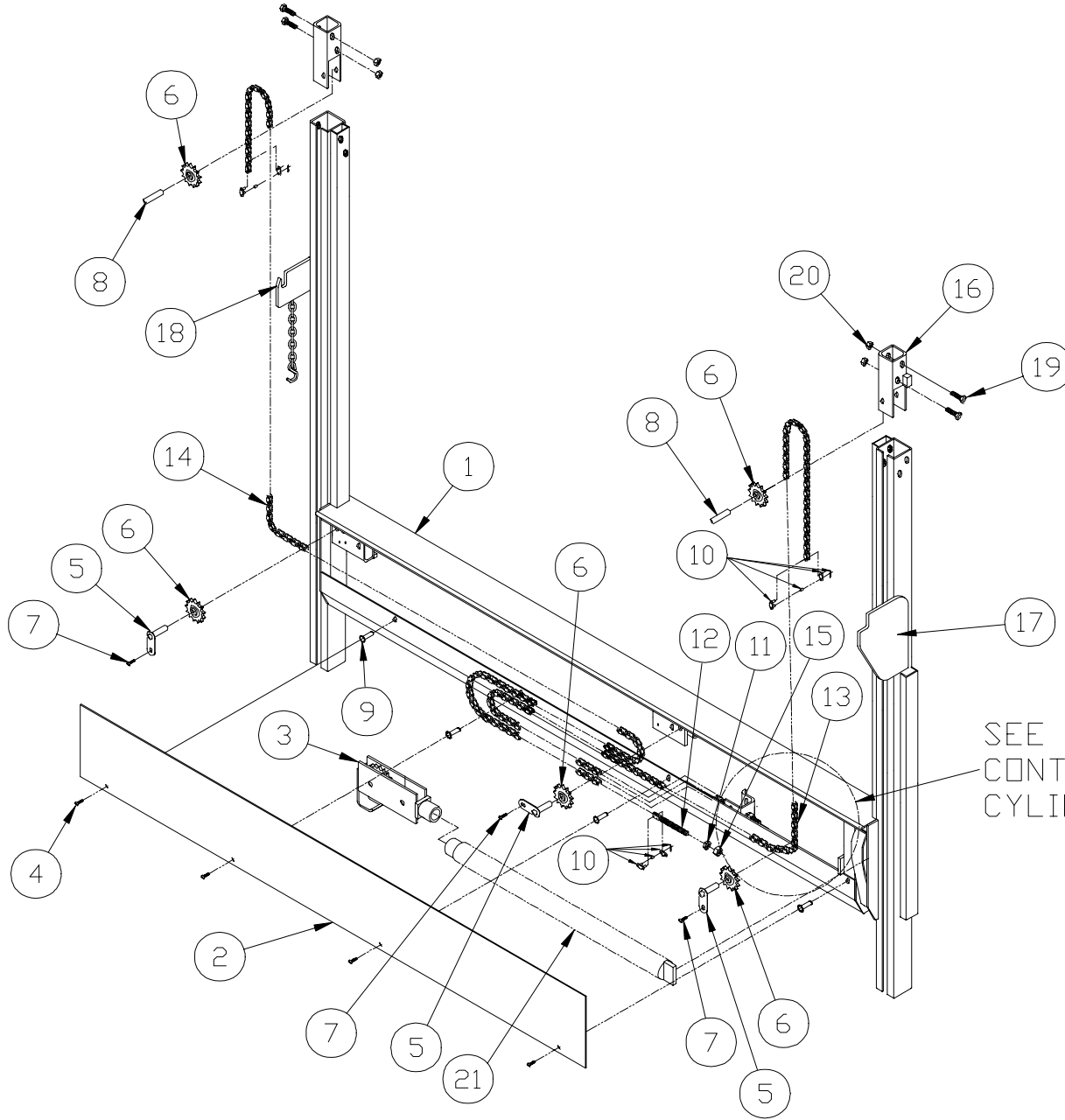
WALTCO  
TRUCK EQUIPMENT CO.  
MDR – 125C, 160C

REVISED: 1/25/02  
E.O. 4482  
REV. 05

**PM-460A**

| ITEM | PART NUMBER           | QTY | DESCRIPTION  |
|------|-----------------------|-----|--|
| 1    | 39520050              | 1   | Mount Frame Assembly (94" OAW)                                   |
|      | 39520060              |     | Mount Frame Assembly (90" OAW)                                   |
|      | 39520070              |     | Mount Frame Assembly (86" OAW)                                   |
| 2    | 39520123              | 1   | Access Door (94 OAW)   |
|      | 39520113              |     | Access Door (90 OAW)   |
|      | 39520103              |     | Access Door (86 OAW)   |
| 3    | 39026000              | 1   | Shoe Assembly  |
| 4    | 75086702 <sup>A</sup> | 4   | 1/4"-20 x 5/8" Pan Head Philips Screw with External Tooth Washer |
| 5    | 39070600 <sup>A</sup> | 4   | Sprocket Pin Assembly  |
| 6    | 39528310 <sup>A</sup> | 4   | 13-Tooth Sprocket with Bearing                                   |
| 7    | 75086281 <sup>A</sup> | 4   | Self Tapping Screw   |
| 8    | 75087690              | 4   | Nut Insert   |
| 9    | 80000419 <sup>A</sup> | 4   | Connecting Link Assembly   |
| 10   | 75085111              | 2   | 5/8"-18 Hex Nut  |
| 11   | 39073000              | 2   | Chain Anchor Assembly  |
| 12   | 39073502              | 1   | #50 Roller Chain Assembly  |
| 13   | 39573574              | 1   | #50 Roller Chain Assy. (94" OAW)                                 |
|      | 39573573              |     | #50 Roller Chain Assy. (90" OAW)                                 |
|      | 39573572              |     | #50 Roller Chain Assy. (86" OAW)                                 |
| 14   | 75085184              | 2   | 5/8"-18 Special Locknut  |
| 15   | 39540610              | 1   | Deck Retainer Plate Curb Side                                    |
| 16   | 39540660              | 1   | Deck Retainer Plate Driver Side                                  |
| 17   | 39080050              | 1   | 23-1/2" Stroke Hydraulic Cylinder                                |

# MAIN FRAME ASSEMBLY



SEE PM 530 FOR ELECTRIC CONTROL, PUMP, AND CYLINDER DRAWINGS

WALTCO  
TRUCK EQUIPMENT CO.  
MODEL

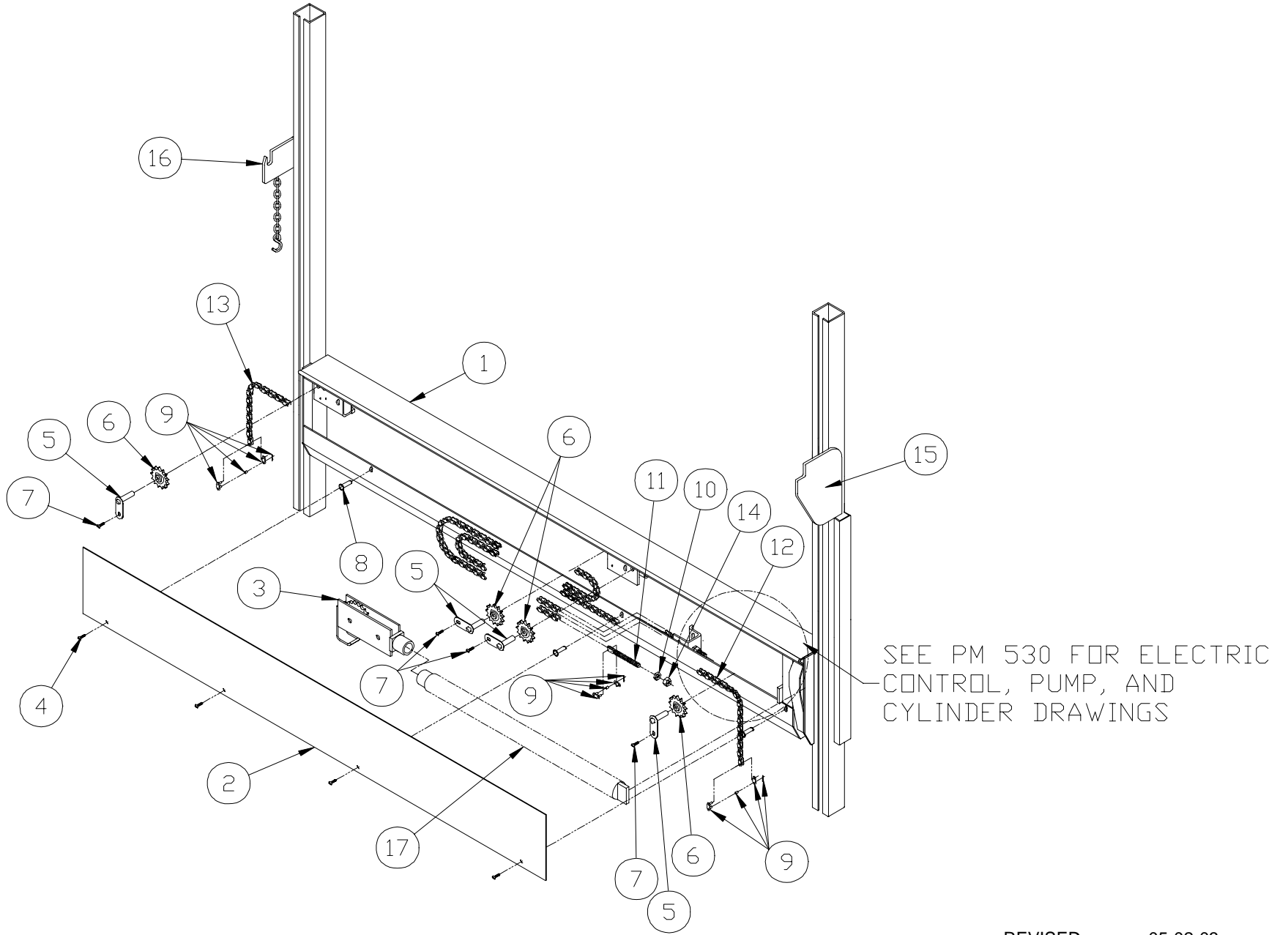
REVISED: 1-25-02  
E.O. 4482  
REV. 05

**PM-461A**

| ITEM | PART NUMBER           | QTY | DESCRIPTION  |
|------|-----------------------|-----|--|
| 1    | 39620050              | 1   | Mount Frame Assembly (94" OAW)                                   |
|      | 39620060              |     | Mount Frame Assembly (90" OAW)                                   |
|      | 39620070              |     | Mount Frame Assembly (86" OAW)                                   |
| 2    | 39520123              | 1   | Access Door (94 OAW)   |
|      | 39520113              |     | Access Door (90 OAW)   |
|      | 39520103              |     | Access Door (86 OAW)   |
| 3    | 39026000              | 1   | Shoe Assembly  |
| 4    | 75086702 <sup>A</sup> | 4   | 1/4"-20 x 5/8" Pan Head Philips Screw with External Tooth Washer |
| 5    | 39070600 <sup>A</sup> | 3   | Sprocket Pin Assembly  |
| 6    | 39528310 <sup>A</sup> | 5   | 13-Tooth Sprocket with Bearing                                   |
| 7    | 75086281 <sup>A</sup> | 3   | Self Tapping Screw   |
| 8    | 33025200 <sup>A</sup> | 2   | Shoe Pin   |
| 9    | 75087690              | 4   | Nut Insert   |
| 10   | 80000419 <sup>A</sup> | 4   | Connecting Link Assembly   |
| 11   | 75085111              | 2   | 5/8"-18 Hex Nut  |
| 12   | 39073000              | 2   | Chain Anchor Assembly  |
| 13   | 39173501              | 1   | #50 Roller Chain Assembly  |
| 14   | 39673551              | 1   | #50 Roller Chain Assembly (94" OAW)                              |
|      | 39673561              |     | #50 Roller Chain Assembly (90" OAW)                              |
|      | 39673571              |     | #50 Roller Chain Assembly (86" OAW)                              |
| 15   | 75085184              | 2   | 5/8"-18 Special Locknut  |
| 16   | 39124375              | 2   | Sprocket Mount   |
| 17   | 39540610              | 1   | Deck Retainer Plate Curb Side                                    |
| 18   | 39540660              | 1   | Deck Retainer Plate Driver Side                                  |
| 19   | 75086224              | 4   | 7/16"-14 x 5" Hex Bolt, Grade 8                                  |
| 20   | 75085178              | 4   | 7/16"-14 Locknut, Stover Grade C                                 |
| 21   | 39580050              | 1   | 27" Stroke Hydraulic Cylinder                                    |

<sup>A</sup> Included in Sprocket Replacement Kit 80000957.

# MAIN FRAME ASSEMBLY



WALTCO  
TRUCK EQUIPMENT CO.  
MDR – 125C, 160C

REVISED: 05-02-03  
E.O. 5066  
REV. 01

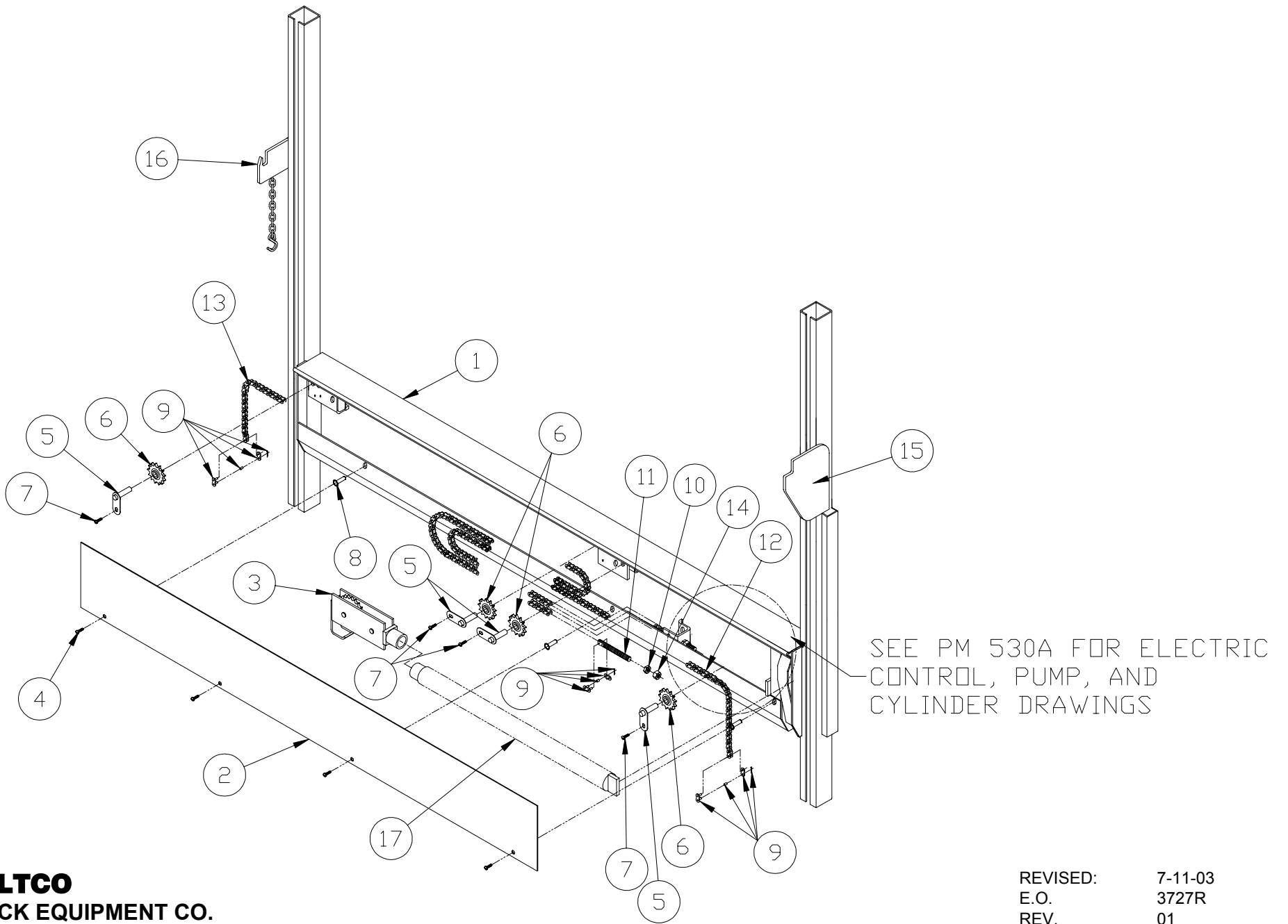
**PM-460B**

| ITEM | PART NUMBER           | QTY | DESCRIPTION  |
|------|-----------------------|-----|--|
| 1    | 39520050              | 1   | Mount Frame Assembly (94" OAW)                                   |
|      | 39520060              |     | Mount Frame Assembly (90" OAW)                                   |
|      | 39520070              |     | Mount Frame Assembly (86" OAW)                                   |
| 2    | 39520123              | 1   | Access Door (94 OAW)   |
|      | 39520113              |     | Access Door (90 OAW)   |
|      | 39520103              |     | Access Door (86 OAW)   |
| 3    | 39026000              | 1   | Shoe Assembly  |
| 4    | 75086702 <sup>A</sup> | 4   | 1/4"-20 x 5/8" Pan Head Philips Screw with External Tooth Washer |
| 5    | 39070600 <sup>A</sup> | 4   | Sprocket Pin Assembly  |
| 6    | 39528310 <sup>A</sup> | 4   | 13-Tooth Sprocket with Bearing                                   |
| 7    | 75086281 <sup>A</sup> | 4   | Self Tapping Screw   |
| 8    | 75087690              | 4   | Nut Insert   |
| 9    | 80000419 <sup>A</sup> | 4   | Connecting Link Assembly   |
| 10   | 75085111              | 2   | 5/8"-18 Hex Nut  |
| 11   | 39073000              | 2   | Chain Anchor Assembly  |
| 12   | 39073501              | 1   | #50 Roller Chain Assembly  |
| 13   | 39573551              | 1   | #50 Roller Chain Assy. (94" OAW)                                 |
|      | 39573561              |     | #50 Roller Chain Assy. (90" OAW)                                 |
|      | 39573571              |     | #50 Roller Chain Assy. (86" OAW)                                 |
| 14   | 75085184              | 2   | 5/8"-18 Special Locknut  |
| 15   | 39540610              | 1   | Deck Retainer Plate Curb Side                                    |
| 16   | 39540660              | 1   | Deck Retainer Plate Driver Side                                  |
| 17   | 39580050              | 1   | 23-1/2" Stroke Hydraulic Cylinder                                |

<sup>A</sup> Included in Sprocket Replacement Kit 80000956.



# MAIN FRAME ASSEMBLY



**WALTCO**  
**TRUCK EQUIPMENT CO.**  
**MDR – 125C, 160C**

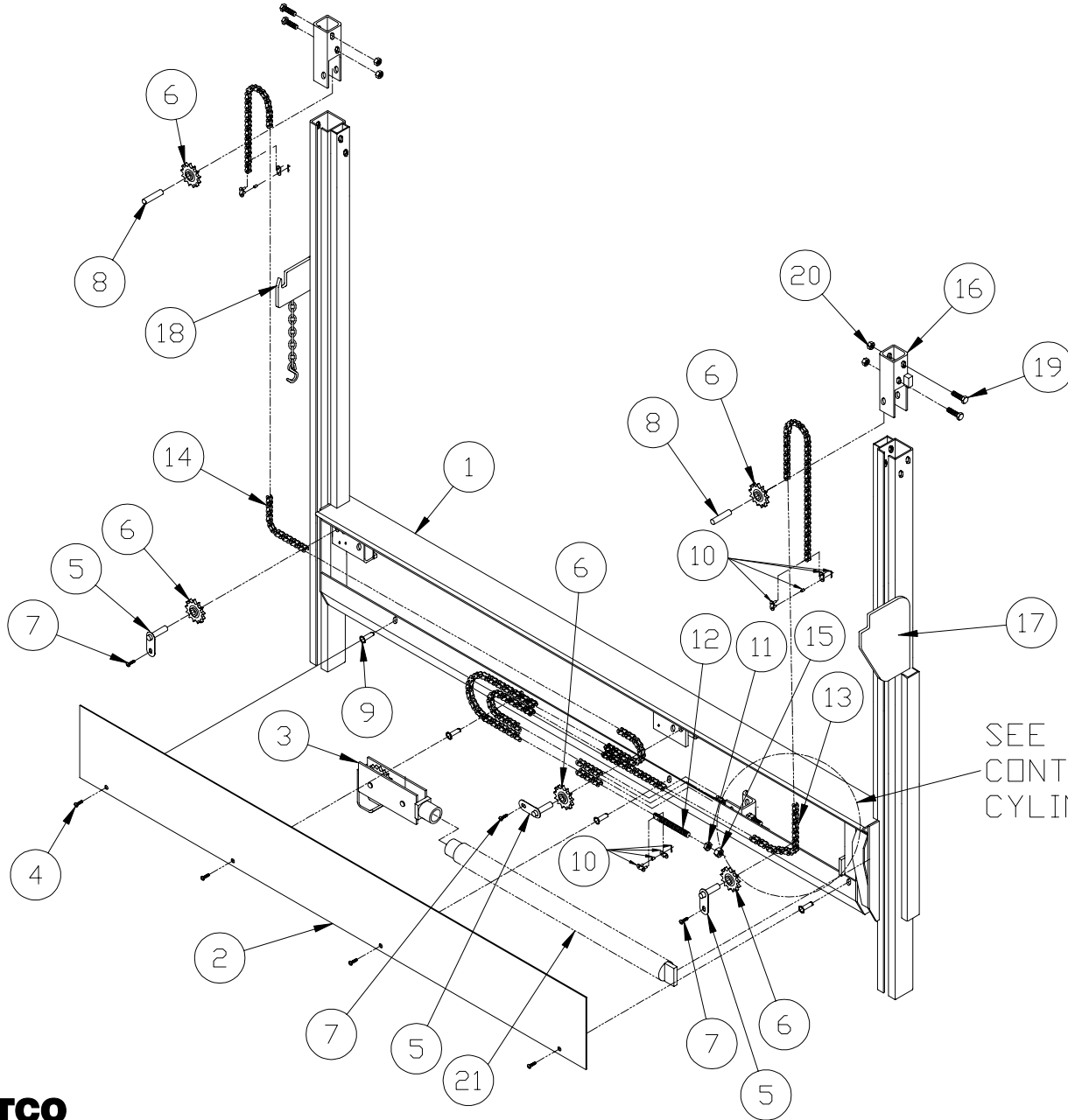
REVISED: 7-11-03  
 E.O. 3727R  
 REV. 01

**PM-460E**

| ITEM | PART NUMBER           | QTY | DESCRIPTION  |
|------|-----------------------|-----|--|
| 1    | 39520050              | 1   | Mount Frame Assembly (94" OAW)                                   |
|      | 39520060              |     | Mount Frame Assembly (90" OAW)                                   |
|      | 39520070              |     | Mount Frame Assembly (86" OAW)                                   |
| 2    | 39520125              | 1   | Access Door (94 OAW)   |
|      | 39520115              |     | Access Door (90 OAW)   |
|      | 39520105              |     | Access Door (86 OAW)   |
| 3    | 39026000              | 1   | Shoe Assembly  |
| 4    | 75086702 <sup>A</sup> | 4   | 1/4"-20 x 5/8" Pan Head Philips Screw with External Tooth Washer |
| 5    | 39070600 <sup>A</sup> | 4   | Sprocket Pin Assembly  |
| 6    | 39528310 <sup>A</sup> | 4   | 13-Tooth Sprocket with Bearing                                   |
| 7    | 75086281 <sup>A</sup> | 4   | Self Tapping Screw   |
| 8    | 75087690              | 4   | Nut Insert   |
| 9    | 80000419 <sup>A</sup> | 4   | Connecting Link Assembly   |
| 10   | 75085111              | 2   | 5/8"-18 Hex Nut  |
| 11   | 39073000              | 2   | Chain Anchor Assembly  |
| 12   | 39073501              | 1   | #50 Roller Chain Assembly  |
| 13   | 39573551              | 1   | #50 Roller Chain Assy. (94" OAW)                                 |
|      | 39573561              |     | #50 Roller Chain Assy. (90" OAW)                                 |
|      | 39573571              |     | #50 Roller Chain Assy. (86" OAW)                                 |
| 14   | 75085184              | 2   | 5/8"-18 Special Locknut  |
| 15   | 39540610              | 1   | Deck Retainer Plate Curb Side                                    |
| 16   | 39540660              | 1   | Deck Retainer Plate Driver Side                                  |
| 17   | 39580050              | 1   | 27" Stroke Hydraulic Cylinder                                    |

<sup>A</sup> Included in Sprocket Replacement Kit 80000956.

# MAIN FRAME ASSEMBLY



**WALTCO**  
TRUCK EQUIPMENT CO.  
MODEL

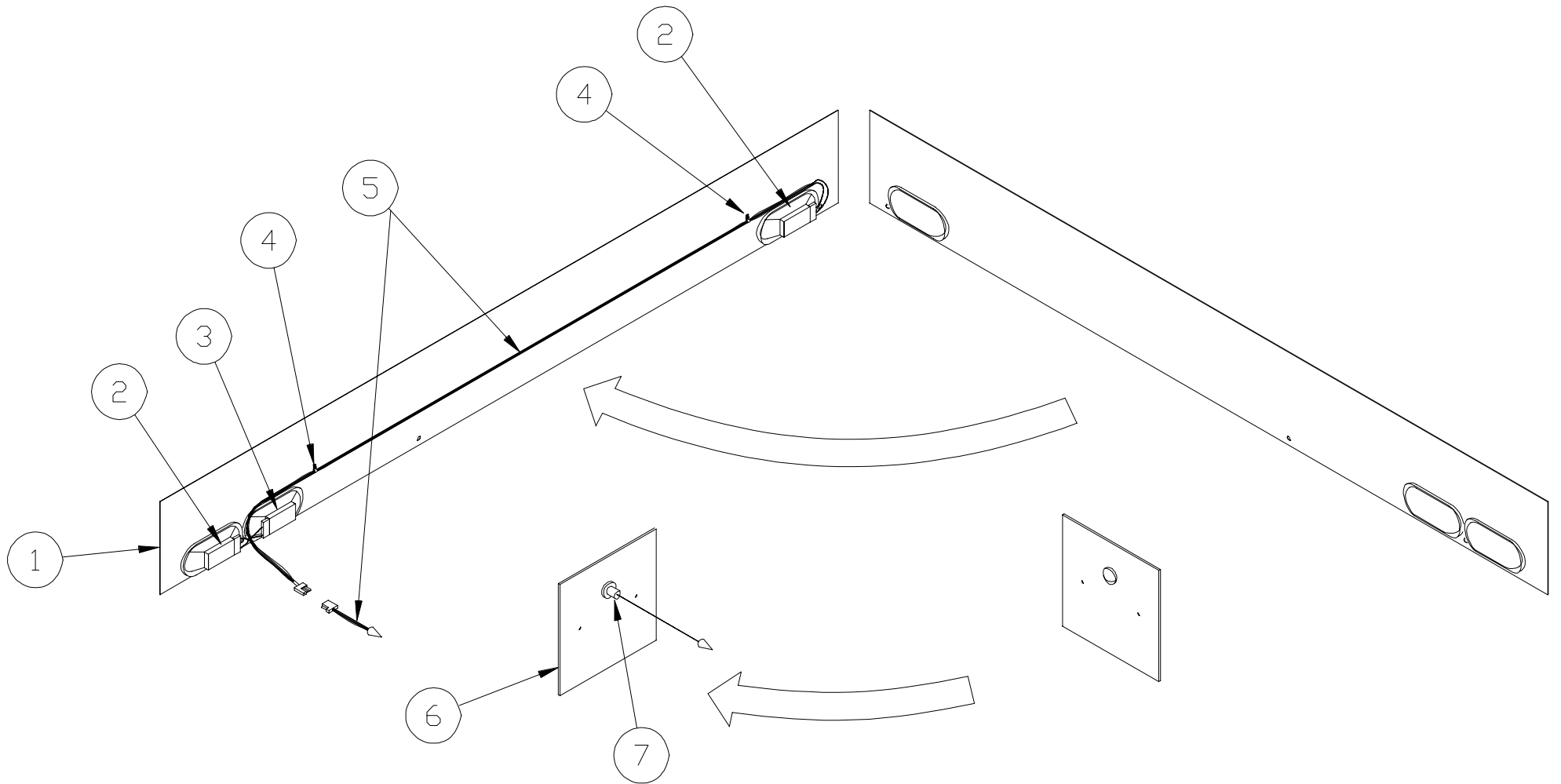
REVISED: 7-11-03  
E.O. 3727R  
REV. 01

**PM-461D**

| ITEM | PART NUMBER           | QTY | DESCRIPTION  |
|------|-----------------------|-----|--|
| 1    | 39620050              | 1   | Mount Frame Assembly (94" OAW)                                   |
|      | 39620060              |     | Mount Frame Assembly (90" OAW)                                   |
|      | 39620070              |     | Mount Frame Assembly (86" OAW)                                   |
| 2    | 39520125              | 1   | Access Door (94 OAW)   |
|      | 39520115              |     | Access Door (90 OAW)   |
|      | 39520105              |     | Access Door (86 OAW)   |
| 3    | 39026000              | 1   | Shoe Assembly  |
| 4    | 75086702 <sup>A</sup> | 4   | 1/4"-20 x 5/8" Pan Head Philips Screw with External Tooth Washer |
| 5    | 39070600 <sup>A</sup> | 3   | Sprocket Pin Assembly  |
| 6    | 39528310 <sup>A</sup> | 5   | 13-Tooth Sprocket with Bearing                                   |
| 7    | 75086281 <sup>A</sup> | 3   | Self Tapping Screw   |
| 8    | 33025200 <sup>A</sup> | 2   | Shoe Pin   |
| 9    | 75087690              | 4   | Nut Insert   |
| 10   | 80000419 <sup>A</sup> | 4   | Connecting Link Assembly   |
| 11   | 75085111              | 2   | 5/8"-18 Hex Nut  |
| 12   | 39073000              | 2   | Chain Anchor Assembly  |
| 13   | 39173501              | 1   | #50 Roller Chain Assembly  |
| 14   | 39673551              | 1   | #50 Roller Chain Assembly (94" OAW)                              |
|      | 39673561              |     | #50 Roller Chain Assembly (90" OAW)                              |
|      | 39673571              |     | #50 Roller Chain Assembly (86" OAW)                              |
| 15   | 75085184              | 2   | 5/8"-18 Special Locknut  |
| 16   | 39124375              | 2   | Sprocket Mount   |
| 17   | 39540610              | 1   | Deck Retainer Plate Curb Side                                    |
| 18   | 39540660              | 1   | Deck Retainer Plate Driver Side                                  |
| 19   | 75086224              | 4   | 7/16"-14 x 5" Hex Bolt, Grade 8                                  |
| 20   | 75085178              | 4   | 7/16"-14 Locknut, Stover Grade C                                 |
| 21   | 39580050              | 1   | 27" Stroke Hydraulic Cylinder                                    |

<sup>A</sup> Included in Sprocket Replacement Kit 80000957.

**OPTIONAL LIGHT KIT**



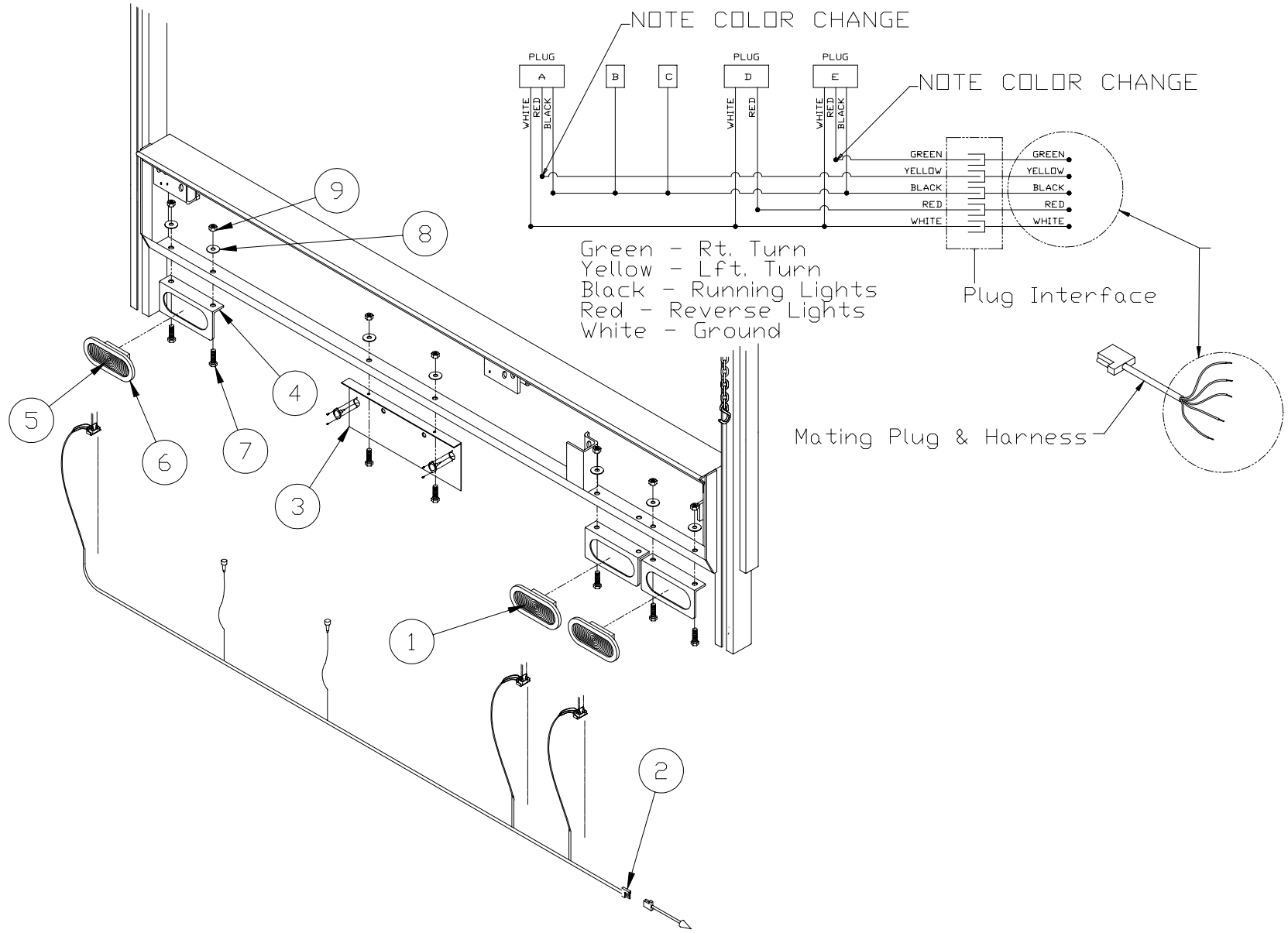
**WALTCO  
TRUCK EQUIPMENT CO.  
MDR SERIES**

REVISED: 7-92  
E.O.  
REV. 01

**PM-260**

| ITEM | PART NUMBER | QTY | DESCRIPTION                 |
|------|-------------|-----|-----------------------------|
| 1    | 33520310    | 1   | Access Door (94" OAW)       |
|      | 33520320    | 1   | Access Door (90" OAW)       |
| 2    | 33575600    | 2   | Taillight Assembly          |
| 3    | 33575610    | 1   | Back Up Light Assembly      |
| 4    | 75083044    | 2   | Wire Clamp                  |
| 5    | 33575500    | 1   | Light Panel Wiring Harness  |
| 6    | 33575700    | 1   | License Plate Mount Bracket |
| 7    | 75089386    | 1   | License Plate Lamp          |

# LIGHT KIT (PARTS ORDER)



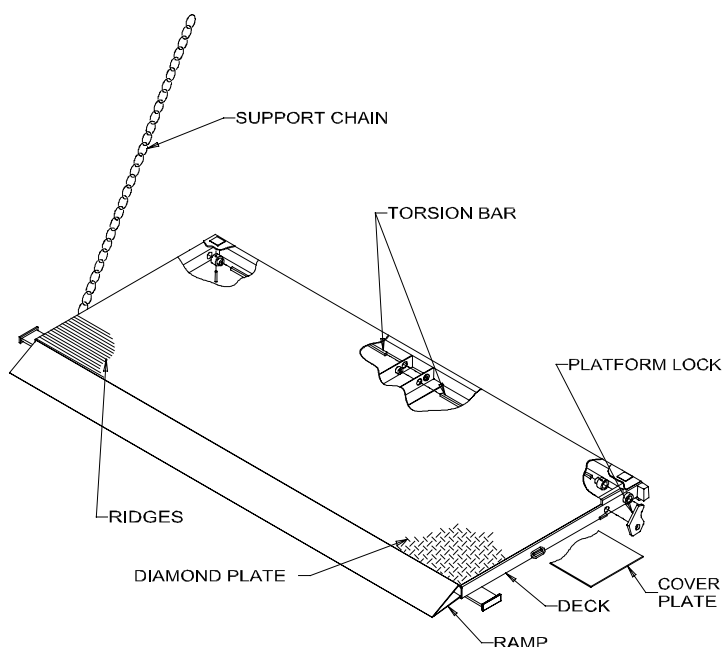
WALTCO  
TRUCK EQUIPMENT CO.  
MDR SERIES

REVISED: 3-17-00  
E.O. 3727A  
REV. 01

PM-531

| ITEM | PART NUMBER | QTY | DESCRIPTION                    |
|------|-------------|-----|--------------------------------|
| 1    | 75089374    | 1   | Backup Lamp                    |
| 2    | 39575500    | 1   | Wiring Harness                 |
| 3    | 34050200    | 1   | License Plate Bracket Assembly |
| 4    | 75089375    | 3   | Light Bracket                  |
| 5    | 75089373    | 2   | Turn/Tail Light                |
| 6    | 75089376    | 3   | Grommet                        |
| 7    | 75086006    | 7   | 1/4"-20 x 1" Bolt              |
| 8    | 75088051    | 7   | 1/4" Flat Washer               |
| 9    | 75085001    | 7   | 1/4"-20 Serrated Hex Nut       |

## MDR PLATFORM and RUNNER ASSEMBLY Manual Closing (Built thru 3/00)

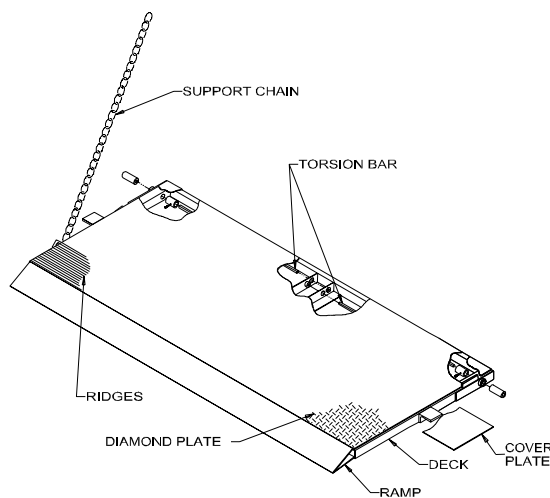


### Common Features

- Capacity decal: 1250 and 1600 pounds
- Sizes: 30", 36", 42" deep (Steel Platforms)  
28", 37", 46", 55" deep (Alum. Platforms)  
82" 86", 90" wide
- Torsion bar assist
- Platform lock on curb side (Added after 7/88)
- Aluminum Platform (Available as an option after 7/92)

|                      | <b>MDR125, 125AF</b>   | <b>MDR160, 160AF</b>   | <b>MDR125, 125AF</b><br><b>Aluminum Platform</b>   | <b>MDR160, 160AF</b><br><b>Aluminum Platform</b>   |
|----------------------|--|--|--|--|
|                      | <p><b>PM-235B</b><br/>Built thru 7/88</p> <p><b>PM-235C</b><br/>Built from 7/88 thru 7/92</p> <p><b>PM-235D</b><br/>Built from 7/92 thru 2/93</p> <p><b>PM-235</b><br/>Built from 2/93 thru 3/00</p> | <p><b>PM-237B</b><br/>Built thru 7/88</p> <p><b>PM-237C</b><br/>Built from 7/88 thru 7/92</p> <p><b>PM-237D</b><br/>Built from 7/92 thru 2/93</p> <p><b>PM-237</b><br/>Built from 2/93 thru 3/00</p> | <p><b>PM-258B</b><br/>Built from 7/92 thru 2/93</p> <p><b>PM-258</b><br/>Built from 2/93 thru 3/00</p> | <p><b>PM-257B</b><br/>Built from 7/92 thru 2/93</p> <p><b>PM-257</b><br/>Built from 2/93 thru 3/00</p> |
| <b>Surface</b>       | Diamond plate  | Diamond plate  | Ridges   | Ridges   |
| <b>Support Chain</b> | Driver's side<br>36" and 42" Only  | Driver side  | Curb & driver's side   | Curb & driver's side   |
| <b>Cover Plate</b>   | No   | No   | Yes  | Yes  |
| <b>Platform</b>      | Steel  | Steel  | Aluminum   | Aluminum   |

## MDRRM PLATFORM and RUNNER ASSEMBLY Manual Closing (Built from 3/00)



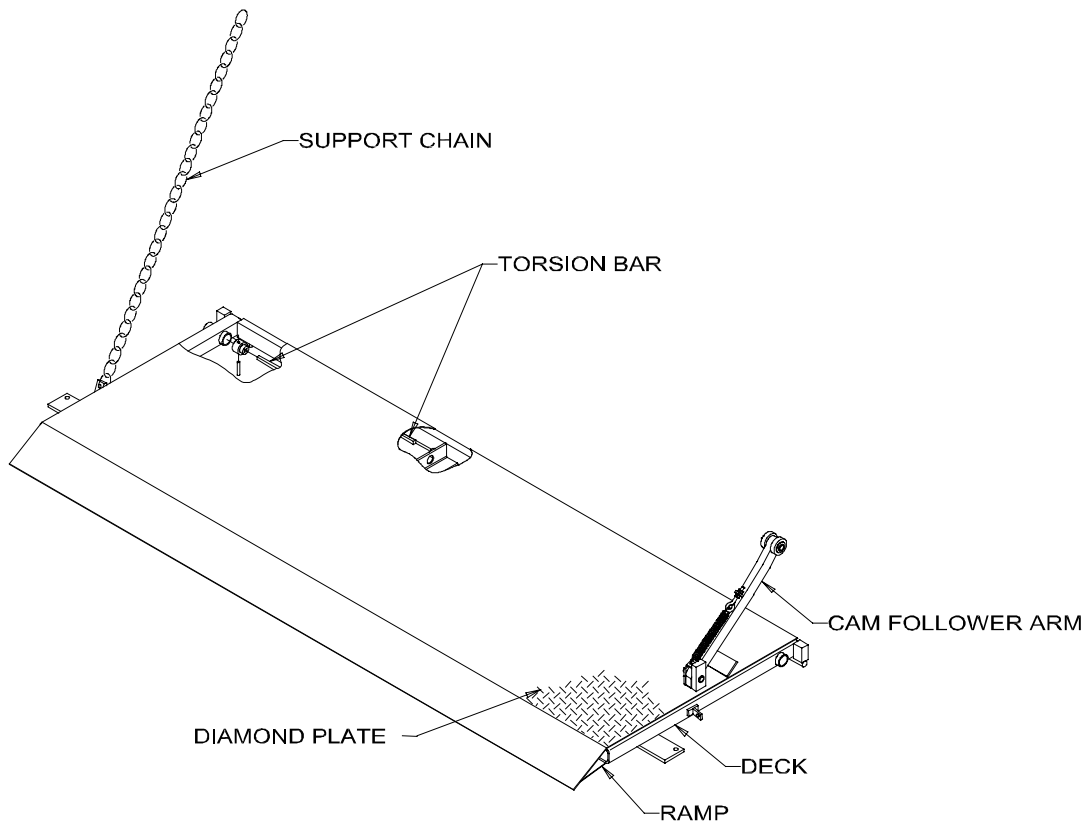
### Common Features

- Capacity decal: 1250 & 1600 pounds
- 2000 pound capacity (Available after 2/01 – Steel platforms only)
- Aluminum Platform
- Sizes: 30", 36", 42" deep (Steel Platforms) 27-1/2", 36-1/2", 45-1/2", 54-1/2" deep (Aluminum Platforms); 82", 86", 90" wide
- Torsion bar assist

|                      |  |   |   |   |  |
|----------------------|--|---|---|---|--|
|                      | <b>MDR125,<br/>125AF</b><br><br><b>PM-235E</b><br>Built from<br>3/00 thru 8/01<br><br><b>PM-235F</b><br>Built from<br>8/01 thru 1/03<br><br><b>PM-235A</b><br>Built from<br>1/03 | <b>MDR160,<br/>160AF</b><br><br><b>PM-237E</b><br>Built from 3/00<br>thru 8/01<br><br><b>PM-237F</b><br>Built from 8/01<br>thru 8/02<br><br><b>PM-237G</b><br>Built from 8/02<br>thru 1/03<br><br><b>PM-237A</b><br>Built from 1/03 | <b>MDR125,<br/>125AF</b><br><br><b>Aluminum<br/>Platform</b><br><br><b>PM-258C</b><br>Built from 3/00<br>thru 8/01<br><br><b>PM-258D</b><br>Built from 8/01<br>thru 8/02<br><br><b>PM-258E</b><br>Built from 8/02<br>thru 1/03<br><br><b>PM-258A</b><br>Built from 1/03 | <b>MDR160,<br/>160AF</b><br><br><b>Aluminum<br/>Platform</b><br><br><b>PM-257C</b><br>Built from 3/00<br>thru 8/01<br><br><b>PM-257D</b><br>Built from 8/01<br>thru 8/02<br><br><b>PM-257E</b><br>Built from 8/02<br>thru 1/03<br><br><b>PM-257A</b><br>Built from 1/03<br>thru 12/03<br><br><b>PM-257F</b><br>Built from 12/03 | <b>MDR200,<br/>200AF</b><br><br><b>PM-551A</b><br>Built from 2/01<br>thru 8/01<br><br><b>PM-551B</b><br>Built from 8/01<br>thru 8/02<br><br><b>PM-551C</b><br>Built from 8/02<br>thru 1/03<br><br><b>PM-551</b><br>Built from 1/03 |
| <b>Surface</b>       | Diamond plate  | Diamond plate   | Ridges  | Ridges  | Diamond plate  |
| <b>Support Chain</b> | Driver's side  | Driver's side   | Both sides  | Both sides  | Driver's side  |
| <b>Cover Plate</b>   | No   | No  | Yes   | Yes   | No   |
| <b>Platform</b>      | Steel  | Steel   | Aluminum  | Aluminum  | Steel  |

[Click here for a list of liftgate serial numbers, organized by approximate ship dates.](#)

## MDR PLATFORM and RUNNER ASSEMBLY Cam Assisted Closing (Built 1/98 thru 3/00)



### Common Features

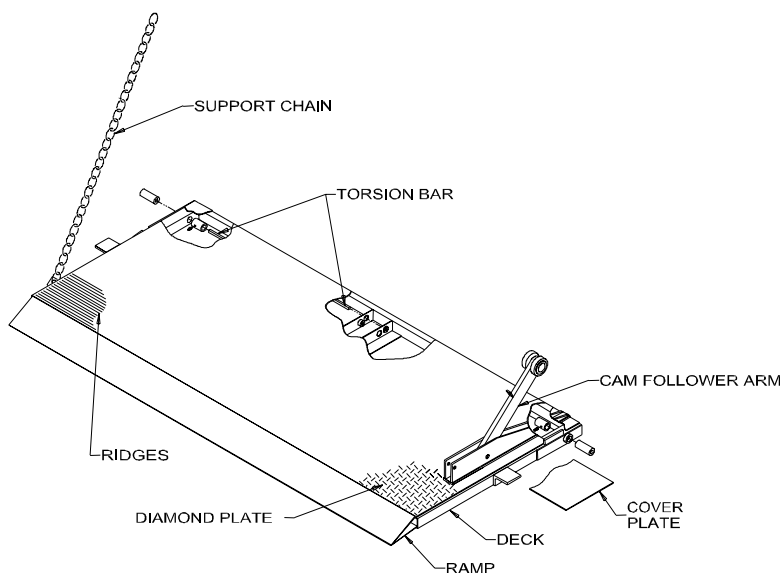
- Capacity decal: 1250 and 1600 pounds
- Sizes: 30", 36", 42" deep  
82" 86", 90" wide
- Torsion bar assist
- Cam Assisted Platform Closing

|                      | <b>MDR125C, 125AFC</b><br><b>PM-465</b><br>Built from 1/98 thru 3/00 | <b>MDR160C, 160AFC</b><br><b>PM-466</b><br>Built from 1/98 thru 3/00 |
|----------------------|--|--|
| <b>Surface</b>       | Diamond plate  | Diamond plate  |
| <b>Support Chain</b> | Driver's side  | Driver side  |
| <b>Cover Plate</b>   | No   | No   |
| <b>Platform</b>      | Steel  | Steel  |

80101088 Rev. 03 6/03

## MDRRM PLATFORM and RUNNER ASSEMBLY

### Cam Assisted Closing (Built from 3/00)



#### Common Features

- Capacity decal: 1250 and 1600 pounds
- Bottled Gas Railing (Available after 3/01 – Steel Platforms only)
- Sizes: 30", 36", 42" deep (Steel Platforms)  
45-1/2", 54-1/2" deep (Alum. Platforms)  
82" 86", 90" wide
- Torsion bar assist
- Platform lock on curb side (Added after 7/88)
- Aluminum Platform (Available as an option after 6/00 for MDR-160C only)

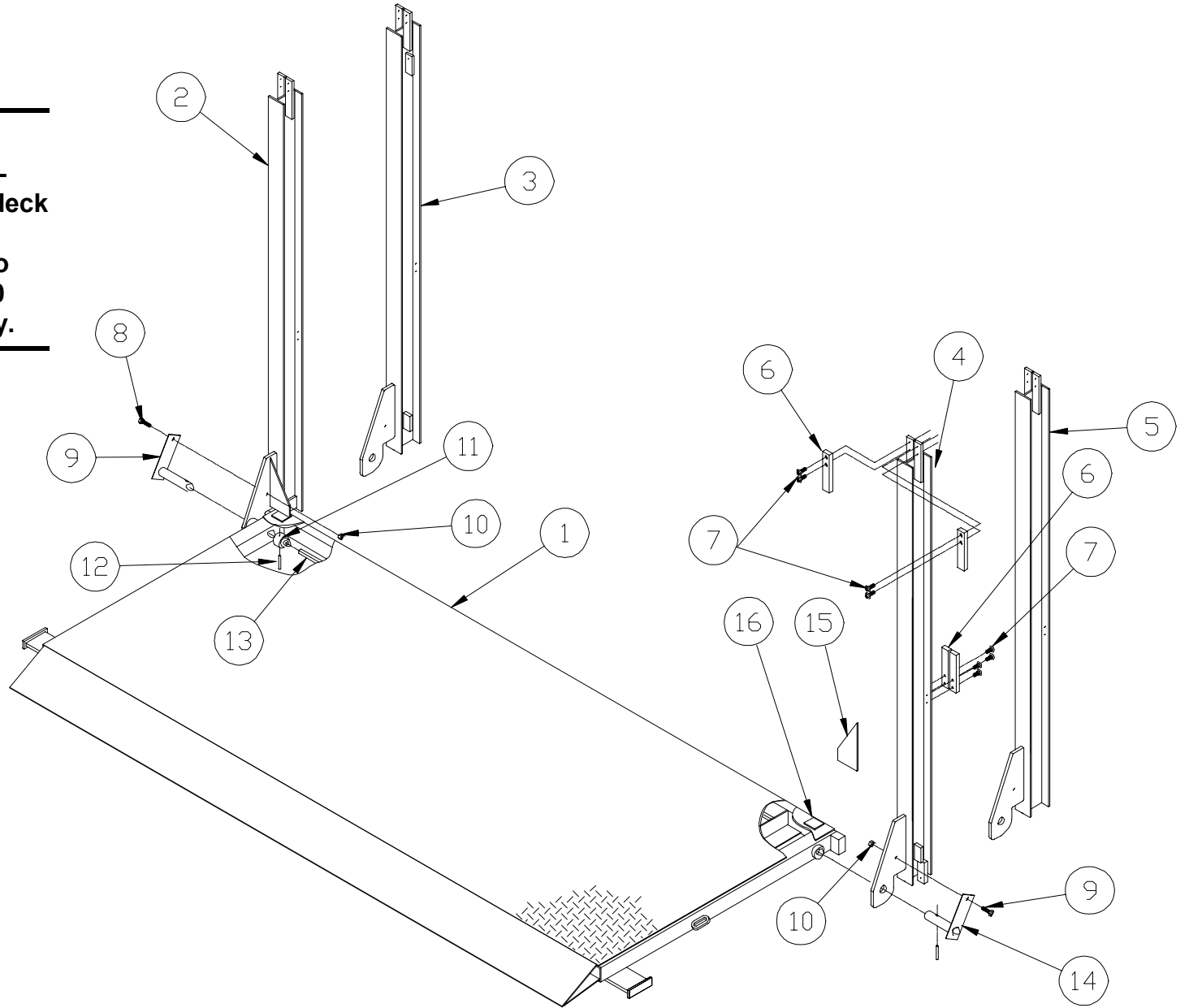
|                      | <b>MDR125C, 125AFC</b>                       | <b>MDR160C, 160AFC</b>                       | <b>MDR160C</b>                              | <b>MDR160C BG</b>                           |
|----------------------|--|--|---|---|
|                      | <b>PM-465B</b><br>Built from 3/00 thru 6/00  | <b>PM-466B</b><br>Built from 3/00 thru 6/00  | <b>Aluminum Platform</b>                    | <b>Bottled Gas Railing Platform</b>         |
|                      | <b>PM-465C</b><br>Built from 6/00 thru 9/01  | <b>PM-466C</b><br>Built from 6/00 thru 9/01  | <b>PM-545A</b><br>Built from 6/00 thru 9/01 | <b>PM-552A</b><br>Built from 3/01 thru 9/01 |
|                      | <b>PM-465D</b><br>Built from 9/01 thru 8/02  | <b>PM-466D</b><br>Built from 9/01 thru 8/02  | <b>PM-545B</b><br>Built from 9/01 thru 8/02 | <b>PM-552C</b><br>Built from 9/01 thru 8/02 |
|                      | <b>PM-465A</b><br>Built from 8/02 thru 12/03 | <b>PM-466A</b><br>Built from 8/02 thru 12/03 | <b>PM-545</b><br>Built from 8/02 thru 12/03 | <b>PM-552</b><br>Built from 8/02 thru 12/03 |
|                      | <b>PM-465E</b><br>Built from 12/03           | <b>PM-466E</b><br>Built from 12/03           | <b>PM-545C</b><br>Built from 12/03          | <b>PM-552B</b><br>Built from 12/03          |
| <b>Surface</b>       | Diamond plate                                | Diamond plate                                | Ridges                                      | Diamond Plate                               |
| <b>Support Chain</b> | Driver's side                                | Driver's side                                | Both sides                                  | N/A   |
| <b>Cover Plate</b>   | No   | No   | Yes   | No  |
| <b>Platform</b>      | Steel  | Steel  | Aluminum                                    | Steel                                       |



# PLATFORM AND RUNNER ASSEMBLY

**CAUTION:**

Do not remove the 3/8"-16 x 1-1/2" bolt (75086058) with the deck in the open position. This will cause allow the Torsion Bar to unwind, causing the 33012550 (Item #9) to snap out suddenly.



**WALTCO**  
**TRUCK EQUIPMENT CO.**  
**MDR-125, 125AF**

REVISED: 12/1/03  
 E.O. 5221  
 REV. 01

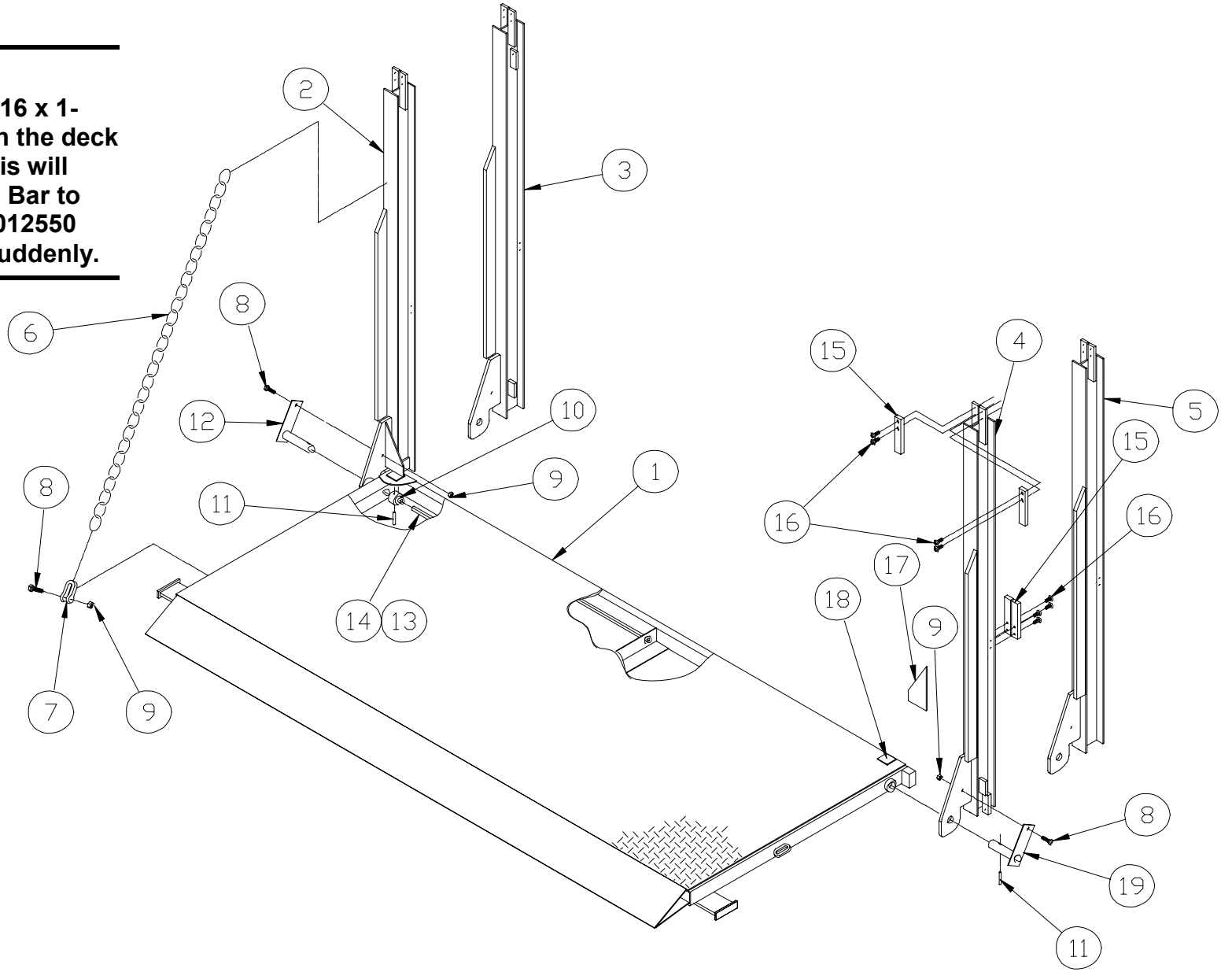
**PM-235B**

| ITEM | PART NUMBER | QTY | DESCRIPTION                                    |
|------|-------------|-----|--|
| 1    | 33011030    | 1   | 30" x 86" + 6" Deck Assembly                   |
| 2    | 33035050    | 1   | Runner Assembly (Street Side) (MDR-125 Only)   |
| 3    | 33135050    | 1   | Runner Assembly (Street Side) (MDR-125AF Only) |
| 4    | 33035000    | 1   | Runner Assembly (Curb Side) (MDR-125 Only)     |
| 5    | 33135000    | 1   | Runner Assembly (Curb Side) (MDR-125AF Only)   |
| 6    | 33035700    | 8   | Plastic Slide Bearing                          |
| 7    | 75086854    | 16  | 1/4"-20 x 1/2" Self Tapping Screw              |
| 8    | 75086058    | 2   | 3/8"-16 x 1-1/2" hex Head Screw                |
| 9    | 33012050    | 1   | Hinge Pin Assembly (Street Side)               |
| 10   | 75085005    | 2   | 3/8"-16 Hex Nut, Serrated                      |
| 11   | 33070500    | 1   | Torsion Bar Anchor Assembly                    |
| 12   | 75089539    | 2   | 1/2" Coiled Pin                                |
| 13   | 33070200    | 1   | Torsion Bar                                    |
| 14   | 33012000    | 1   | Hinge Pin Assembly (Curb Side)                 |
| 15   | 33071100    | 2   | Deck Support Gusset                            |
| 16   | 33014800    | 2   | Support Pad                                    |

# PLATFORM AND RUNNER ASSEMBLY

**CAUTION:**

Do not remove the 3/8"-16 x 1-1/2" bolt (75086058) with the deck in the open position. This will cause allow the Torsion Bar to unwind, causing the 33012550 (Item #12) to snap out suddenly.



**WALTCO**  
**TRUCK EQUIPMENT CO.**  
**MDR-160, 160AF**

REVISED: 12/1/03  
 E.O. 5221  
 REV. 01

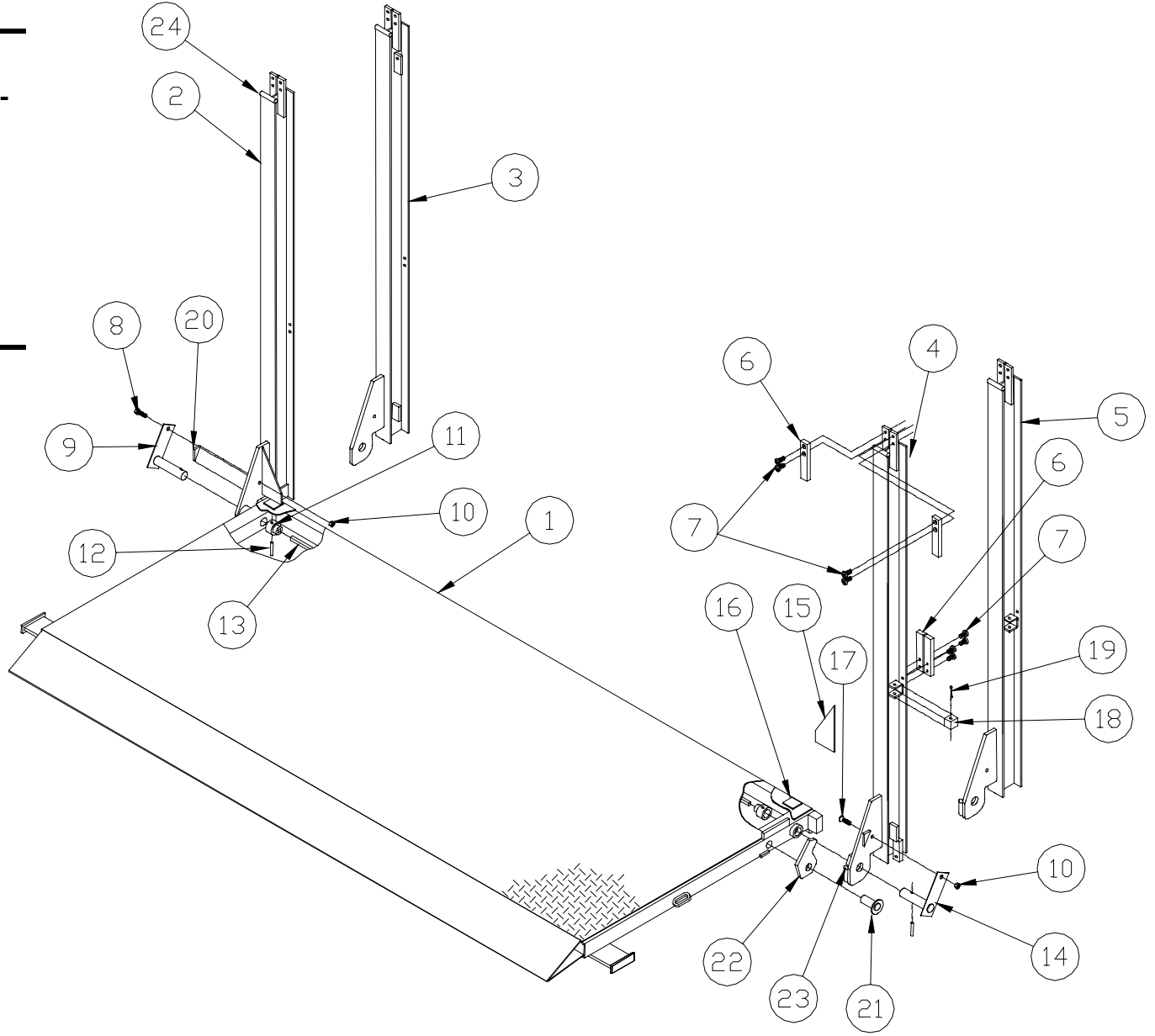
**PM-237B**

| ITEM | PART NUMBER | QTY | DESCRIPTION                                       |
|------|-------------|-----|---|
| 1    | 33511030    | 1   | 30" x 90" + 6" Deck Assembly                      |
|      | 33511036    | 1   | 36" x 90" + 6" Deck Assembly                      |
| 2    | 33535050    | 1   | Runner Assembly (Street Side)<br>(MDR-160 Only)   |
| 3    | 33635050    | 1   | Runner Assembly (Street Side)<br>(MDR-160AF Only) |
| 4    | 33535000    | 1   | Runner Assembly (Curb Side)<br>(MDR-160 Only)     |
| 5    | 33635000    | 1   | Runner Assembly (Curb Side)<br>(MDR-160AF Only)   |
| 6    | 33574200    | 1   | Support Chain (MDR-160 Only)                      |
|      | 33674200    | 1   | Support Chain (MDR-160AF Only)                    |
| 7    | 75089364    | 1   | Shackle   |
| 8    | 75086058    | 3   | 3/8"-16 x 1-1/2" Hex Head Screw                   |
| 9    | 75085005    | 3   | 3/8"-16 Hex Nut, Serrated                         |
| 10   | 33070500    | 1   | Torsion Bar Anchor Assembly                       |
| 11   | 75089539    | 2   | 1/2" Coiled Pin                                   |
| 12   | 33012050    | 1   | Hinge Pin Assembly (Street Side)                  |
| 13   | 35270201    | 1   | Torsion Bar                                       |
| 14   | 33070200    | 1   | Torsion Bar                                       |
| 15   | 33035700    | 8   | Plastic Slide Bearing                             |
| 16   | 75086854    | 16  | 1/4"-20 x 1/2" Self Tapping Screw                 |
| 17   | 33071100    | 2   | Deck Support Gusset                               |
| 18   | 33014800    | 2   | Support Pad                                       |
| 19   | 33012000    | 1   | Hinge Pin Assembly (Curb Side)                    |

# PLATFORM AND RUNNER ASSEMBLY

**CAUTION:**

Do not remove the 3/8"-16 x 1-1/2" bolt (Items 8 and 17) with the deck in the open position. This will cause allow the Torsion Bars to unwind, causing the 33012050 (Item 9) or 33012000 (Item 14) to snap out suddenly.



**WALTCO**  
**TRUCK EQUIPMENT CO.**  
**MDR-125, 125AF**

REVISED: 12/1/03  
 E.O. 5221  
 REV. 01

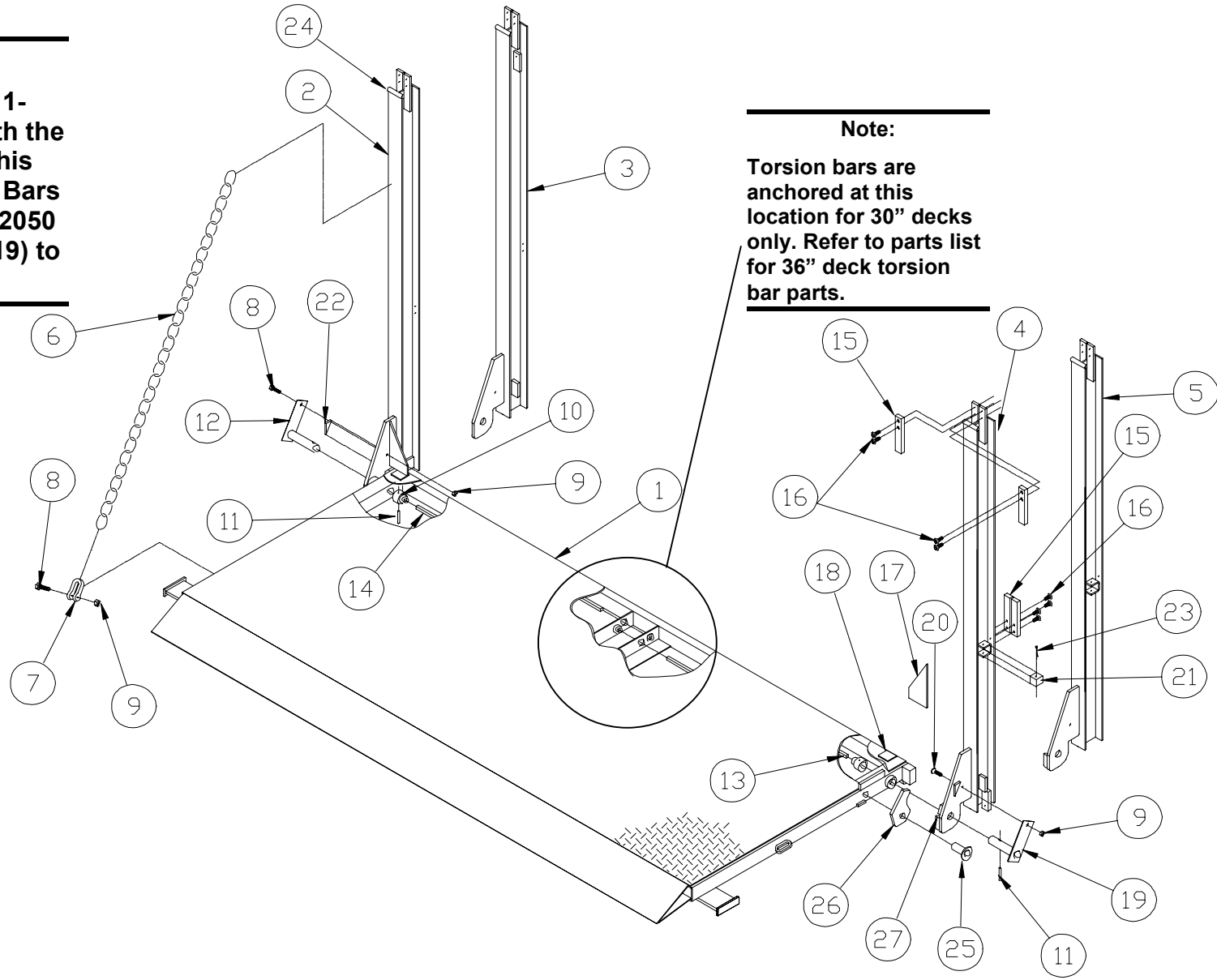
**PM-235C**

| ITEM | PART NUMBER | QTY | DESCRIPTION                                    |
|------|-------------|-----|--|
| 1    | 33011030    | 1   | 30" x 86" + 6" Deck Assembly                   |
| 2    | 33035051    | 1   | Runner Assembly (Street Side) (MDR-125 Only)   |
| 3    | 33135051    | 1   | Runner Assembly (Street Side) (MDR-125AF Only) |
| 4    | 33035001    | 1   | Runner Assembly (Curb Side) (MDR-125 Only)     |
| 5    | 33135001    | 1   | Runner Assembly (Curb Side) (MDR-125AF Only)   |
| 6    | 33035700    | 8   | Plastic Slide Bearing                          |
| 7    | 75086854    | 16  | 1/4"-20 x 1/2" Self Tapping Screw              |
| 8    | 75086058    | 1   | 3/8"-16 x 1-1/2" hex Head Screw                |
| 9    | 33012050    | 1   | Hinge Pin Assembly (Street Side)               |
| 10   | 75085005    | 2   | 3/8"-16 Hex Nut, Serrated                      |
| 11   | 33570500    | 2   | Torsion Bar Anchor Assembly                    |
| 12   | 75089539    | 2   | 1/2" Coiled Pin                                |
| 13   | 33670200    | 2   | Torsion Bar                                    |
| 14   | 33012000    | 1   | Hinge Pin Assembly (Curb Side)                 |
| 15   | 33071100    | 2   | Deck Support Gusset                            |
| 16   | 33014800    | 2   | Support Pad                                    |
| 17   | 75086003    | 1   | 3/8"-16 x 1-1/2" Flat Head Screw               |
| 18   | 33038800    | 2   | Plastic Block                                  |
| 19   | 75084055    | 2   | Cotter Pin                                     |
| 20   | 25176100    | 2   | Stop   |
| 21   | 33016000    | 1   | Pin Assembly                                   |
| 22   | 33016600    | 1   | Platform Lock                                  |
| 23   | 33038100    | 1   | Platform Lock Stop                             |
| 24   | 35417201    | 2   | Runner Stop Pin                                |

# PLATFORM AND RUNNER ASSEMBLY

**CAUTION:**

Do not remove the 3/8"-16 x 1-1/2" bolt (Items 8 and 20) with the deck in the open position. This will cause allow the Torsion Bars to unwind, causing the 33012050 (Item 12) or 33012000 (Item 19) to snap out suddenly.



**Note:**

Torsion bars are anchored at this location for 30" decks only. Refer to parts list for 36" deck torsion bar parts.

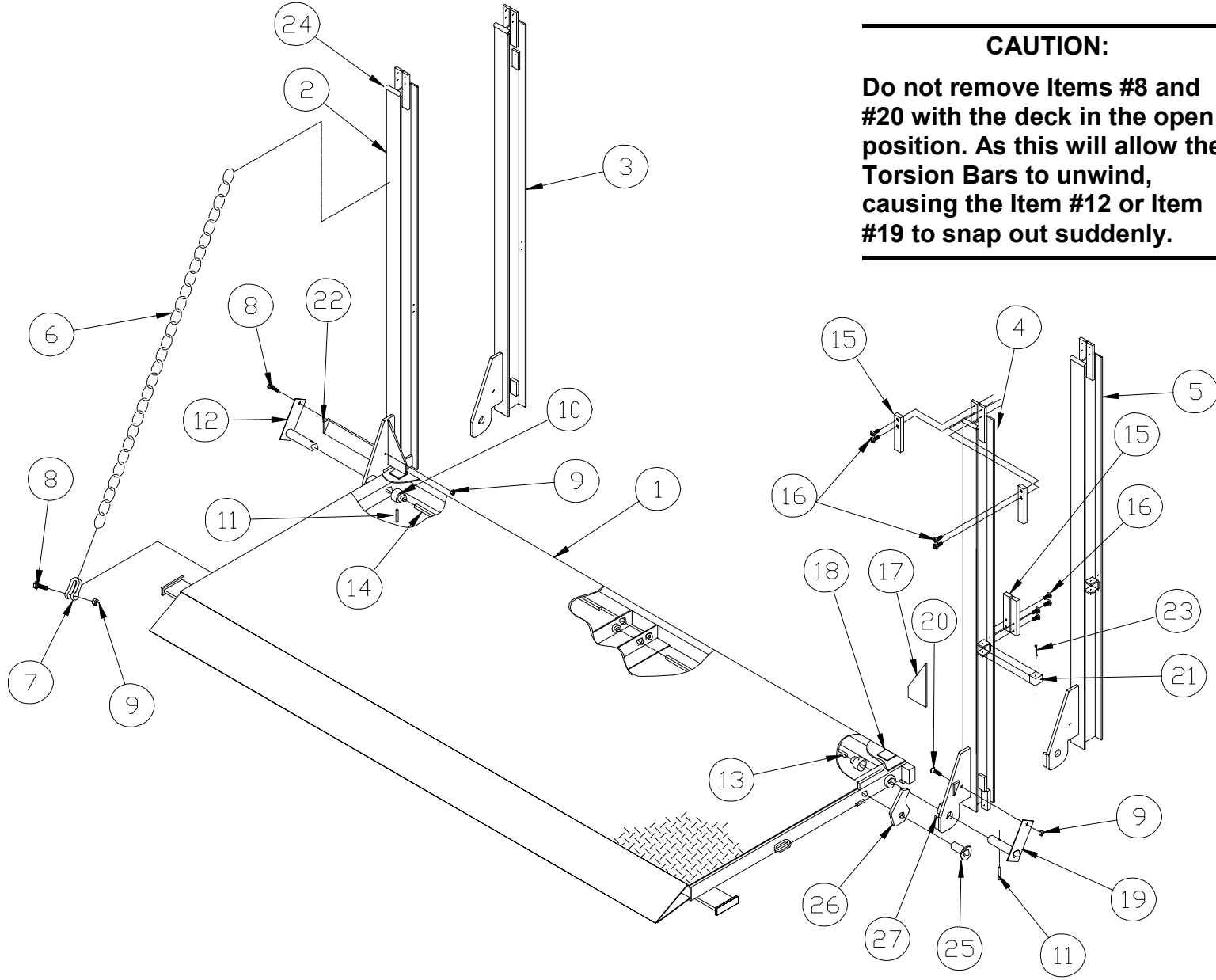
**WALTCO**  
**TRUCK EQUIPMENT CO.**  
**MDR-160, 160AF**

REVISED: 12/1/03  
 E.O. 5221  
 REV. 01

**PM-237C**

| ITEM | PART NUMBER | QTY | DESCRIPTION   |
|------|-------------|-----|---|
| 1    | 33511030    | 1   | 30" x 90" + 6" Deck Assembly                        |
|      | 33511036    | 1   | 36" x 90" + 6" Deck Assembly                        |
| 2    | 33535051    | 1   | Runner Assembly (Street Side) (MDR-160 Only)        |
| 3    | 33635051    | 1   | Runner Assembly (Street Side) (MDR-160AF Only)      |
| 4    | 33535001    | 1   | Runner Assembly (Curb Side) (MDR-160 Only)          |
| 5    | 33635001    | 1   | Runner Assembly (Curb Side) (MDR-160AF Only)        |
| 6    | 33574200    | 1   | Support Chain (MDR-160 Only)                        |
|      | 33674200    | 1   | Support Chain (MDR-160AF Only)                      |
| 7    | 75089364    | 1   | Shackle   |
| 8    | 75086058    | 2   | 3/8"-16 x 1-1/2" hex Head Screw                     |
| 9    | 75085005    | 3   | 3/8"-16 Hex Nut, Serrated                           |
| 10   | 33570500    | 2   | Torsion Bar Anchor Assembly (30" decks)             |
|      |             | 1   | Torsion Bar Anchor Assembly (36" decks Street Side) |
| 11   | 75089539    | 2   | 1/2" Coiled Pin                                     |
| 12   | 33012050    | 1   | Hinge Pin Assembly (Street Side)                    |
| 13   | 33070200    | 1   | Torsion Bar (36" decks)                             |
| 14   | 33570200    | 2   | Torsion Bar (30" decks)                             |
| 15   | 33035700    | 8   | Plastic Slide Bearing                               |
| 16   | 75086854    | 16  | 1/4"-20 x 1/2" Self Tapping Screw                   |
| 17   | 33071100    | 2   | Deck Support Gusset                                 |
| 18   | 33014800    | 2   | Support Pad   |
| 19   | 33012000    | 1   | Hinge Pin Assembly (Curb Side)                      |
| 20   | 75086003    | 1   | 3/8"-16 x 1-1/2" Flat Head Screw                    |
| 21   | 33038800    | 2   | Plastic Block                                       |
| 22   | 33070500    | 1   | Torsion Bar Anchor Assembly (36" decks Curb Side)   |
| 23   | 75084055    | 2   | Cotter Pin  |
| 24   | 33670200    | 1   | Torsion Bar (36" decks)                             |
| 25   | 35417201    | 2   | Runner Stop Pin                                     |
| 26   | 33016600    | 1   | Platform Lock                                       |
| 27   | 33038100    | 1   | Platform Lock Stop                                  |
| 28   | 25176100    | 2   | Stop  |
| 29   | 33016000    | 1   | Pin Assembly  |

# PLATFORM AND RUNNER ASSEMBLY



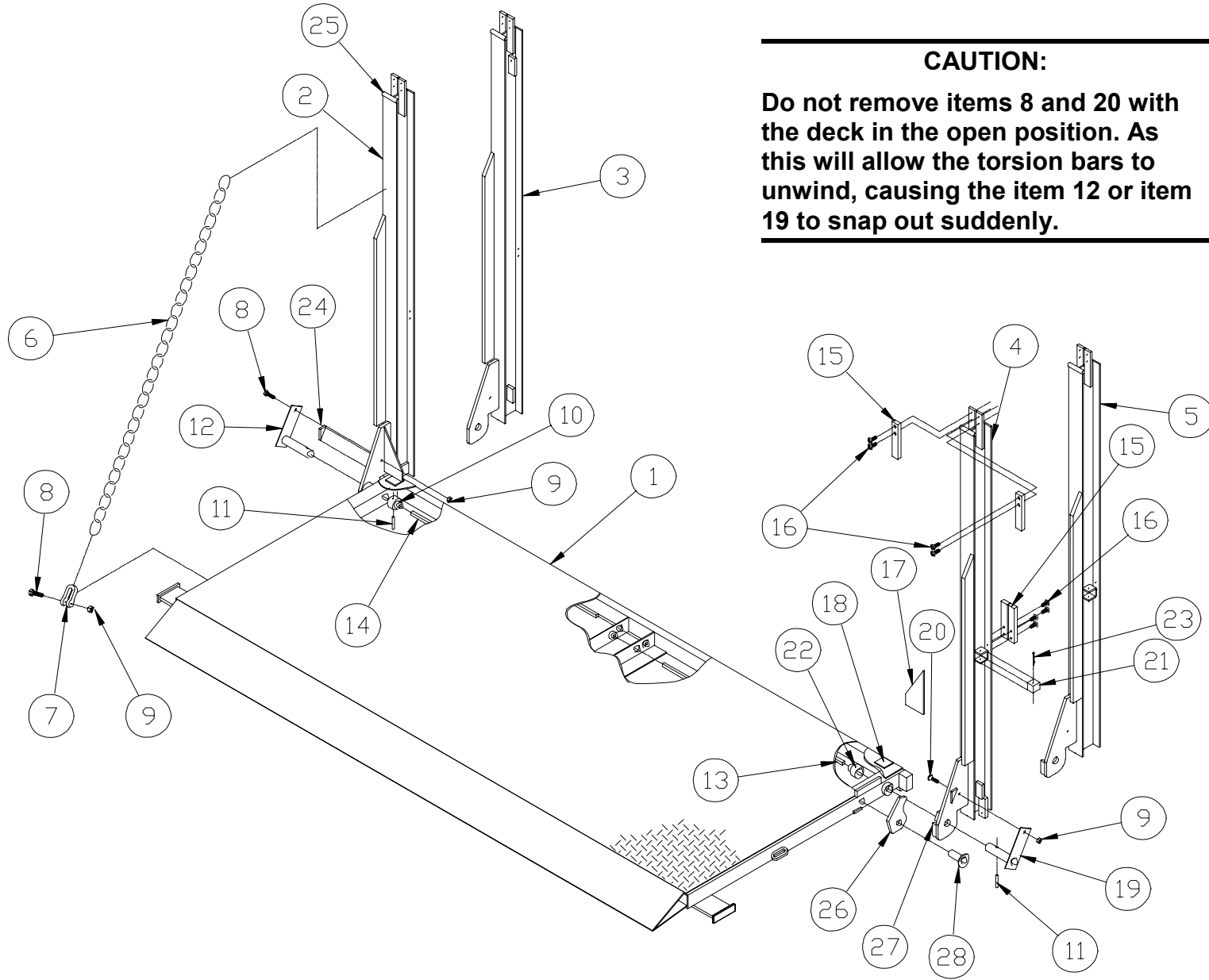
**WALTCO**  
TRUCK EQUIPMENT CO.  
MDR-125, 125AF

REVISED: 12/1/03  
E.O. 5221  
REV. 01

**PM-235D**

| ITEM | PART NUMBER | QTY | DESCRIPTION                                       |
|------|-------------|-----|---|
| 1    | 33011013    | 1   | 30" x 90" + 6" Deck Assembly                      |
|      | 33011030    | 1   | 30" x 86" + 6" Deck Assembly                      |
|      | 33011014    | 1   | 30" x 82" + 6" Deck Assembly                      |
|      | 33011015    | 1   | 36" x 90" + 6" Deck Assembly                      |
|      | 33011036    | 1   | 36" x 86" + 6" Deck Assembly                      |
|      | 33011016    | 1   | 36" x 82" + 6" Deck Assembly                      |
| 2    | 33035051    | 1   | Runner Assembly (Street Side)<br>(MDR-125 Only)   |
| 3    | 33135051    | 1   | Runner Assembly (Street Side)<br>(MDR-125AF Only) |
| 4    | 33035001    | 1   | Runner Assembly (Curb Side)<br>(MDR-125 Only)     |
| 5    | 33135001    | 1   | Runner Assembly (Curb Side)<br>(MDR-125AF Only)   |
| 6    | 33574200    | 1   | Support Chain (36" decks)                         |
| 7    | 75089364    | 1   | Shackle (36" decks)                               |
| 8    | 75086058    | 1   | 3/8"-16 x 1-1/2" Hex Head Screw<br>(30" decks)    |
|      |             | 2   | 3/8"-16 x 1-1/2" Hex Head Screw<br>(36" decks)    |
| 9    | 75085005    | 2   | 3/8"-16 Hex Nut, Serrated (30" decks)             |
|      |             | 3   | 3/8"-16 Hex Nut, Serrated (36" decks)             |
| 10   | 33570500    | 2   | Torsion Bar Anchor Assembly                       |
| 11   | 75089539    | 2   | 1/2" Coiled Pin                                   |
| 12   | 33012050    | 1   | Hinge Pin Assembly (Street Side)                  |
| 13   | 33670200    | 1   | Torsion Bar (36" decks, Curb Side)                |
| 14   | 33670200    | 2   | Torsion Bar (30" decks)                           |
|      |             | 1   | Torsion Bar (36" decks, Street Side)              |
| 15   | 33035700    | 8   | Plastic Slide Bearing                             |
| 16   | 75086854    | 16  | 1/4"-20 x 1/2" Self Tapping Screw                 |
| 17   | 33017000    | 2   | Deck Support Gusset                               |
| 18   | 33014800    | 2   | Support Pad                                       |
| 19   | 33012000    | 1   | Hinge Pin Assembly (Curb Side)                    |
| 20   | 75086003    | 1   | 3/8"-16 x 1-1/2" Flat Head Screw                  |
| 21   | 33038800    | 2   | Plastic Block                                     |
| 22   | 25176100    | 2   | Stop  |
| 23   | 75084055    | 2   | Cotter Pin  |
| 24   | 35417201    | 2   | Runner Stop Pin                                   |
| 25   | 33016000    | 1   | Pin Assembly                                      |
| 26   | 33016600    | 1   | Platform Lock                                     |
| 27   | 33038100    | 1   | Platform Lock Stop                                |

# PLATFORM AND RUNNER ASSEMBLY



**CAUTION:**

Do not remove items 8 and 20 with the deck in the open position. As this will allow the torsion bars to unwind, causing the item 12 or item 19 to snap out suddenly.

**WALTCO**  
TRUCK EQUIPMENT CO.  
MDR-160, 160AF

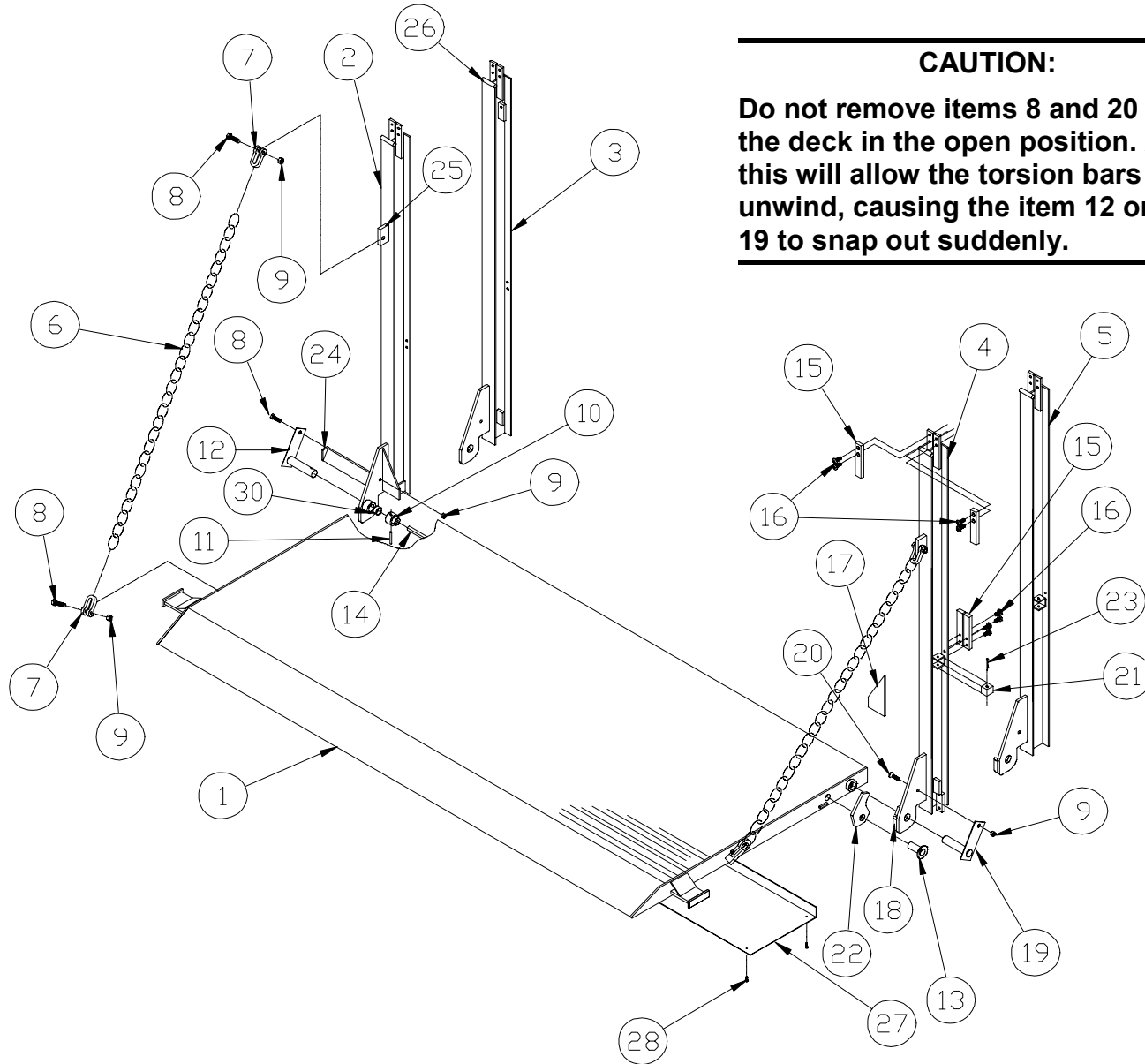
REVISED: 12/1/03  
E.O. 5221  
REV. 01

**PM-237D**

| ITEM | PART NUMBER | QTY | DESCRIPTION  |
|------|-------------|-----|--|
| 1    | 33511030    | 1   | 30" x 90" + 6" Deck Assembly                           |
|      | 33511017    | 1   | 30" x 86" + 6" Deck Assembly                           |
|      | 33511018    | 1   | 30" x 82" + 6" Deck Assembly                           |
|      | 33511036    | 1   | 36" x 90" + 6" Deck Assembly                           |
|      | 33511019    | 1   | 36" x 86" + 6" Deck Assembly                           |
|      | 33511020    | 1   | 36" x 82" + 6" Deck Assembly                           |
| 2    | 33535051    | 1   | Runner Assembly (Street Side) (MDR-160 Only)           |
| 3    | 33635051    | 1   | Runner Assembly (Street Side) (MDR-160AF Only)         |
| 4    | 33535001    | 1   | Runner Assembly (Curb Side) (MDR-160 Only)             |
| 5    | 33635001    | 1   | Runner Assembly (Curb Side) (MDR-160AF Only)           |
| 6    | 33574200    | 1   | Support Chain (MDR-160 Only)                           |
|      | 33674200    | 1   | Support Chain (MDR-160AF Only)                         |
| 7    | 75089364    | 1   | Shackle  |
| 8    | 75086058    | 2   | 3/8"-16 x 1-1/2" Hex Head Screw                        |
| 9    | 75085005    | 3   | 3/8"-16 hex Nut, Serrated                              |
| 10   | 33570500    | 1   | Torsion Bar Anchor Assembly (Street Side)              |
| 11   | 75089539    | 2   | 1/2" Coiled Pin  |
|      | 33012050    | 1   | Hinge Pin Assembly (Street Side)                       |
| 13   | 33070200    | 1   | Torsion Bar (36" x 90" decks) (Curb Side)              |
|      | 35270201    | 1   | Torsion Bar (36" x 86", 36" x 82" decks) (Curb Side)   |
| 14   | 33670200    | 1   | Torsion Bar (36" x 90" decks)(Street Side)             |
|      | 33570200    | 1   | Torsion Bar (36" x 86", 36" x 82" decks) (Street Side) |
|      | 33570200    | 2   | Torsion Bar (30" decks)                                |
| 15   | 33035700    | 8   | Plastic Slide Bearing                                  |
| 16   | 75086854    | 16  | 1/4"-20 x 5/8" Self Tapping Screw                      |
| 17   | 33071100    | 2   | Deck Support Gusset                                    |
| 18   | 33014800    | 2   | Support Pad  |
| 19   | 33012000    | 1   | Hinge Pin Assembly (Curb Side)                         |
| 20   | 75086003    | 1   | 3/8"-16 x 1-1/2" Flat Head Screw                       |
| 21   | 33038800    | 2   | Plastic Block  |
| 22   | 33070500    | 1   | Torsion Bar Anchor Assembly (36" decks) (Curb Side)    |
|      | 33570500    | 1   | Torsion Bar Anchor Assembly (30" decks) (Curb Side)    |

| ITEM | PART NUMBER | QTY | DESCRIPTION                    |
|------|-------------|-----|--------------------------------|
| 23   | 75084055    | 2   | 5/32" Dia. x 2-1/2" Cotter Pin |
| 24   | 25176100    | 2   | Stop                           |
| 25   | 35417201    | 2   | Runner Stop Pin                |
| 26   | 33016600    | 1   | Platform Lock                  |
| 27   | 33038100    | 1   | Platform Lock Stop             |
| 28   | 33016000    | 1   | Pin Assembly                   |

# PLATFORM AND RUNNER ASSEMBLY



**CAUTION:**

Do not remove items 8 and 20 with the deck in the open position. As this will allow the torsion bars to unwind, causing the item 12 or item 19 to snap out suddenly.

**WALTCO**  
**TRUCK EQUIPMENT CO.**  
**MDR-125, 125AF w/**  
**Aluminum Platform**

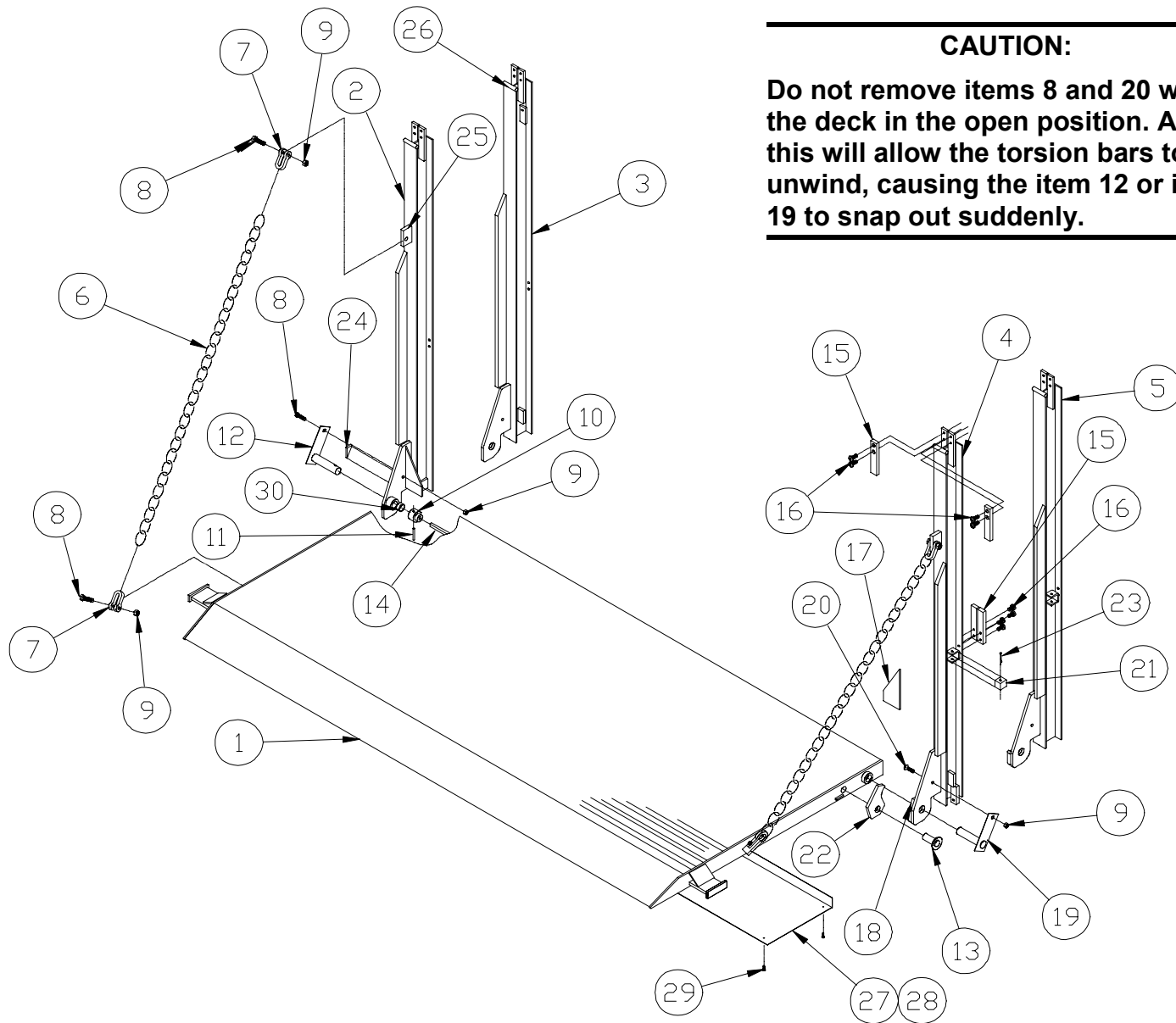
REVISED: 12/1/03  
 E.O. 5221  
 REV. 01

**PM-258B**

| ITEM | PART NUMBER | QTY | DESCRIPTION                                    |
|------|-------------|-----|--|
| 1    | 33511001    | 1   | 28" x 88" + 9" Deck Assembly                   |
|      | 33511002    | 1   | 37" x 88" + 9" Deck Assembly                   |
|      | 33511005    | 1   | 28" x 85" + 9" Deck Assembly                   |
|      | 33511006    | 1   | 37" x 85" + 9" Deck Assembly                   |
|      | 33511009    | 1   | 28" x 81" + 9" Deck Assembly                   |
|      | 33511010    | 1   | 37" x 81" + 9" Deck Assembly                   |
| 2    | 33035051    | 1   | Runner Assembly (Street Side) (MDR-125 Only)   |
| 3    | 33135051    | 1   | Runner Assembly (Street Side) (MDR-125AF Only) |
| 4    | 33035001    | 1   | Runner Assembly (Curb Side) (MDR-125 Only)     |
| 5    | 33135001    | 1   | Runner Assembly (Curb Side) (MDR-125AF Only)   |
| 6    | 33574220    | 2   | Support Chain                                  |
| 7    | 75089364    | 4   | Shackle  |
| 8    | 75086058    | 5   | 3/8"-16 x 1-1/2" Hex Head Screw                |
| 9    | 75085005    | 6   | 3/8"-16 Hex Nut, Serrated                      |
| 10   | 33519610    | 1   | Collar, Torsion Bar                            |
| 11   | 75086219    | 1   | 3/8"-16 x 1-1/2" Hex Head Screw, Grade 8       |
| 12   | 33512000    | 1   | Hinge Pin Assembly (Street Side)               |
| 13   | 33516000    | 1   | Pin Assembly                                   |
| 14   | 33570220    | 1   | Torsion Bar                                    |
| 15   | 33035700    | 8   | Plastic Slide Bearing                          |
| 16   | 75086854    | 16  | 1/4"-20 x 5/8" Self Tapping Screw              |
| 17   | 33071100    | 2   | Deck Support Gusset                            |
| 18   | 33538100    | 1   | Platform Lock Stop (88" wide decks)            |
|      | 33038100    | 1   | Platform Lock Stop (85" & 81" wide decks)      |
| 19   | 33512050    | 1   | Hinge Pin Assembly (Curb Side)                 |
| 20   | 75086003    | 1   | 3/8"-16 x 1-1/2" Flat Head Screw               |
| 21   | 33038800    | 2   | Plastic Block                                  |
| 22   | 33516600    | 1   | Platform Lock                                  |
| 23   | 75084055    | 2   | 5/32" Dia. x 2-1/2" Cotter Pin                 |
| 24   | 25176100    | 2   | Stop   |
| 25   | 33511601    | 2   | Support Chain Anchor                           |
| 26   | 35417201    | 2   | Runner Stop Pin                                |
| 27   | 33520104    | 1   | Cover, Torsion Bar (88" wide decks)            |
|      | 33520105    | 1   | Cover, Torsion Bar (85" wide decks)            |
|      | 33520106    | 1   | Cover, Torsion Bar (81" wide decks)            |
| 28   | 75086920    | 10  | #14 Self Threading Screw, Stainless Steel      |

| ITEM | PART NUMBER | QTY | DESCRIPTION    |
|------|-------------|-----|----------------|
| 29   | 33512200    | 2   | Sleeve Bearing |

# PLATFORM AND RUNNER ASSEMBLY



**CAUTION:**

Do not remove items 8 and 20 with the deck in the open position. As this will allow the torsion bars to unwind, causing the item 12 or item 19 to snap out suddenly.

**WALTCO**  
**TRUCK EQUIPMENT CO.**  
**MDR-160, 160AF w/**  
**Aluminum Platform**

REVISED: 12/1/03  
 E.O. 5221  
 REV. 01

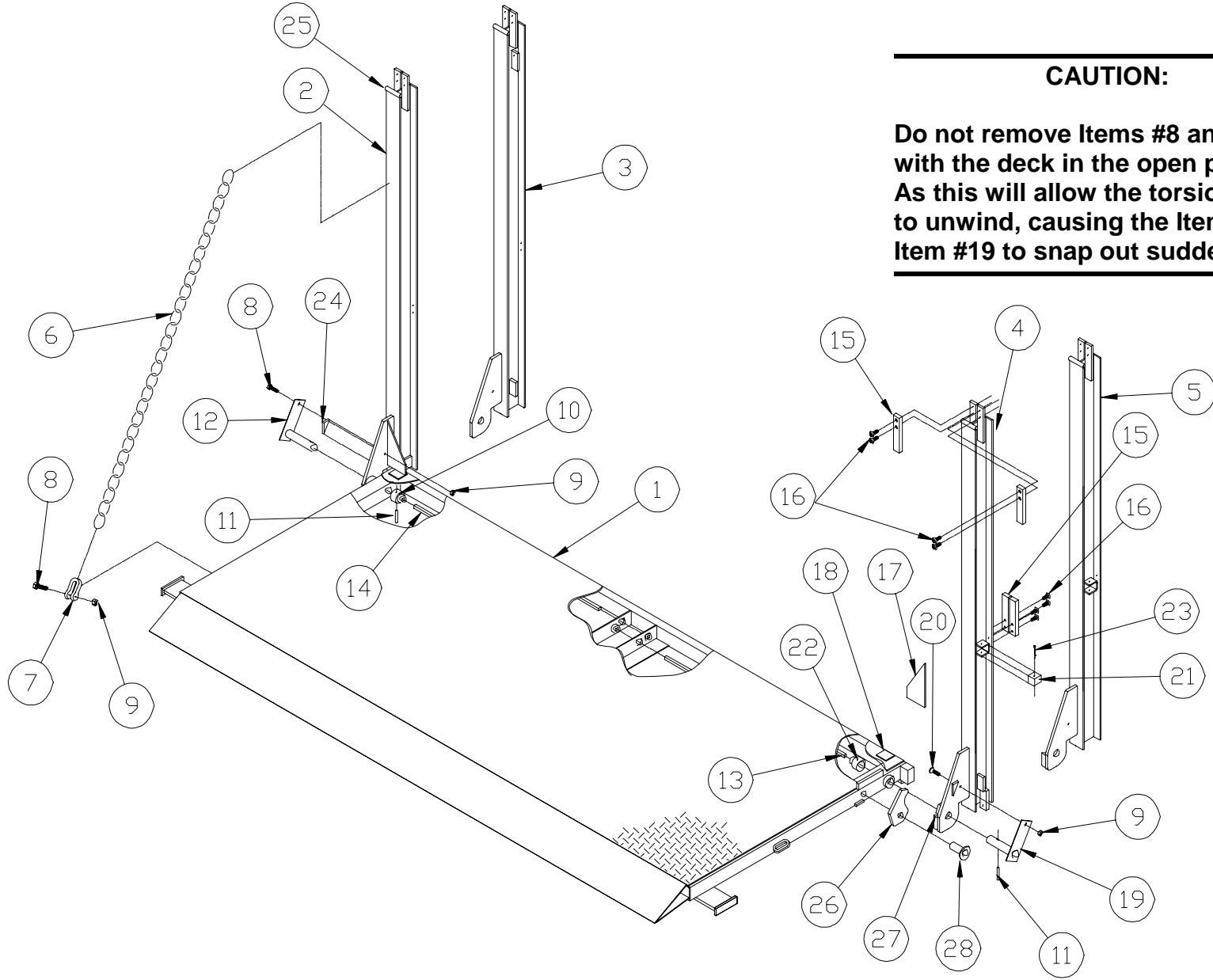
**PM-257B**

| ITEM | PART NUMBER | QTY | DESCRIPTION                                    |
|------|-------------|-----|--|
| 1    | 33511001    | 1   | 28" x 88" + 9" Deck Assembly                   |
|      | 33511002    | 1   | 37" x 88" + 9" Deck Assembly                   |
|      | 33511003    | 1   | 46" x 88" + 9" Deck Assembly                   |
|      | 33511004    | 1   | 55" x 88" + 9" Deck Assembly                   |
|      | 33511005    | 1   | 28" x 85" + 9" Deck Assembly                   |
|      | 33511006    | 1   | 37" x 85" + 9" Deck Assembly                   |
|      | 33511007    | 1   | 46" x 85" + 9" Deck Assembly                   |
|      | 33511008    | 1   | 55" x 85" + 9" Deck Assembly                   |
|      | 33511009    | 1   | 28" x 81" + 9" Deck Assembly                   |
|      | 33511010    | 1   | 37" x 81" + 9" Deck Assembly                   |
|      | 33511011    | 1   | 46" x 81" + 9" Deck Assembly                   |
|      | 33511012    | 1   | 55" x 81" + 9" Deck Assembly                   |
| 2    | 33535051    | 1   | Runner Assembly (Street Side) (MDR-160 Only)   |
| 3    | 33635051    | 1   | Runner Assembly (Street Side) (MDR-160AF Only) |
| 4    | 33535001    | 1   | Runner Assembly (Curb Side) (MDR-160 Only)     |
| 5    | 33635001    | 1   | Runner Assembly (Curb Side) (MDR-160AF Only)   |
| 6    | 33574210    | 2   | Support Chain (46" & 55" Decks Only)           |
|      | 33574220    | 2   | Support Chain (28" & 37" Decks Only)           |
| 7    | 75089364    | 4   | Shackle  |
| 8    | 75086058    | 5   | 3/8"-16 x 1-1/2" Hex Head Screw                |
| 9    | 75085005    | 6   | 3/8"-16 Hex Nut, Serrated                      |
| 10   | 33519610    | 1   | Collar, Torsion Bar                            |
| 11   | 75086219    | 1   | 3/8"1-6 x 1-1/2" Hex Head Screw, Grade 8       |
| 12   | 33512000    | 1   | Hinge Pin Assembly (Street Side)               |
| 13   | 33516000    | 1   | Pin Assembly                                   |
| 14   | 33570220    | 1   | Torsion Bar                                    |
| 15   | 33035700    | 8   | Plastic Slide Bearing                          |
| 16   | 75086854    | 16  | 1/4"-20 x 5/8" Self Tapping Screw              |
| 17   | 33071100    | 2   | Deck Support Gusset                            |
| 18   | 33538100    | 1   | Platform Lock Stop (88" wide decks)            |
|      | 33038100    | 1   | Platform Lock Stop (85", 81" wide decks)       |
| 19   | 33512050    | 1   | Hinge Pin Assembly (Street Side)               |
| 20   | 75086003    | 1   | 3/8"-16 x 1-1/2" Flat Head Screw               |
| 21   | 33038800    | 2   | Plastic Block                                  |
| 22   | 33516600    | 1   | Platform Lock                                  |
| 23   | 75084055    | 2   | 5/32" Dia. x 2-1/2" Cotter pin                 |
| 24   | 25176100    | 2   | Stop   |

| ITEM | PART NUMBER | QTY | DESCRIPTION                                |
|------|-------------|-----|--|
| 25   | 33511601    | 2   | Support Chain Anchor                       |
| 26   | 35417201    | 2   | Runner Stop Pin                            |
| 27   | 33520101    | 1   | Cover, Torsion Bar (46" & 55" x 88" decks) |
|      | 33520102    | 1   | Cover, Torsion Bar (46" & 55" x 85" decks) |
|      | 33520103    | 1   | Cover, Torsion Bar (46" & 55" x 81" decks) |
| 28   | 33520104    | 1   | Cover, Torsion Bar (28" & 37" x 88" decks) |
|      | 33520105    | 1   | Cover, Torsion Bar (28" & 37" x 85" decks) |
|      | 33520106    | 1   | Cover, Torsion Bar (28" & 37" x 81" decks) |
| 29   | 75086920    | 10  | #14 Self threading Screw, Stainless Steel  |
| 30   | 33529000    | 1   | Sleeve Bearing                             |



# PLATFORM AND RUNNER ASSEMBLY



**CAUTION:**

Do not remove Items #8 and #20 with the deck in the open position. As this will allow the torsion bars to unwind, causing the Item #12 or Item #19 to snap out suddenly

**WALTCO  
TRUCK EQUIPMENT CO.  
MDR 125, 125AF**

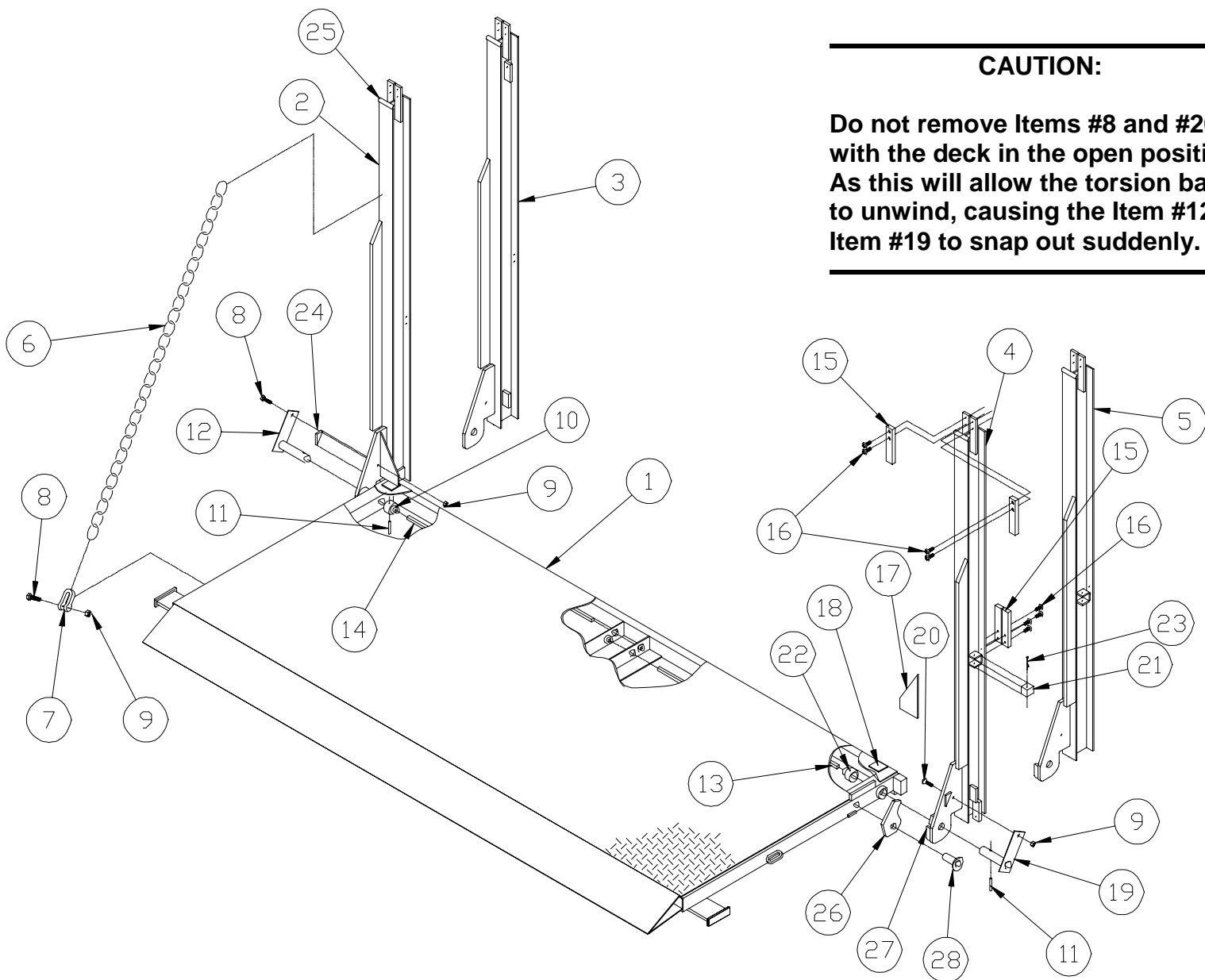
REVISED: 5-12-00  
E.O. 4176  
REV. 05

**PM-235**

| ITEM | PART NUMBER | QTY | DESCRIPTION                                   |
|------|-------------|-----|---|
| 1    | 33511030    | 1   | 30" x 90" + 6" Deck Assembly                  |
|      | 33511017    |     | 30" x 86" + 6" Deck Assembly                  |
|      | 33511018    |     | 30" x 82" + 6" Deck Assembly                  |
|      | 33511036    |     | 36" x 90" + 6" Deck Assembly                  |
|      | 33511019    |     | 36" x 86" + 6" Deck Assembly                  |
|      | 33511020    |     | 36" x 82" + 6" Deck Assembly                  |
|      | 33511021    |     | 42" x 90" + 6" Deck Assembly                  |
|      | 33511022    |     | 42" x 86" + 6" Deck Assembly                  |
|      | 33511023    |     | 42" x 82" + 6" Deck Assembly                  |
| 2    | 33035051    | 1   | Runner Assy. D.S. (MDR 125 Only)              |
| 3    | 33135051    | 1   | Runner Assy. D.S. (MDR 125AF Only)            |
| 4    | 33035001    | 1   | Runner Assy. C.S. (MDR 125 Only)              |
| 5    | 33135001    | 1   | Runner Assy. C.S. (MDR 125AF Only)            |
| 6    | 33574200    | 1   | Support Chain (36" Decks Only)                |
| 7    | 75089364    | 1   | Shackle                                       |
| 8    | 75086058    | 2   | 3/8"-16 x 1-1/2" Hex Head Screw               |
| 9    | 75085005    | 3   | 3/8"-16 Hex Nut, Serrated                     |
| 10   | 33570500    | 1   | Torsion Bar Anchor Assembly D.S.              |
| 11   | 75089539    | 2   | 1/2" Coiled Pin                               |
|      | 33012050    |     | Hinge Pin Assy. D.S.                          |
|      |             |     |   |
| 13   | 33070200    | 1   | Torsion Bar C.S. (36" x 86" & 90" Decks)      |
|      | 33570200    |     | Torsion Bar C.S. (30" & 36" x 82" Decks)      |
|      | 33570230    |     | Torsion Bar C.S. (42" Decks)                  |
| 14   | 33670200    | 1   | Torsion Bar D.S. (36" x 86" & 90" Decks)      |
|      | 33570200    |     | Torsion Bar D.S. (30", 42" & 36" x 82" Decks) |
| 15   | 33035700    | 8   | Plastic Slide Bearing                         |
| 16   | 75086854    | 16  | 1/4"-20 x 5/8" Self Tapping Screw             |
| 17   | 33071100    | 2   | Deck Support Gusset                           |
| 18   | 33014800    | 2   | Support Pad                                   |
| 19   | 33012000    | 1   | Hinge Pin Assy. C.S.                          |
| 20   | 75086003    | 1   | 3/8"-16 x 1-1/2" Flat Head Screw              |
| 21   | 33038800    | 2   | Plastic Block                                 |
| 22   | 33070500    | 1   | Torsion Bar Anchor Assy. C.S.                 |
|      |             |     | 42", & 36" x 86" & 90" Decks                  |
|      | 33570500    |     | Torsion Bar Anchor Assy. C.S.                 |
|      |             |     | 30", & 36" x 82" Decks                        |
| 23   | 75084055    | 2   | 5/32" Dia. x 2-1/2" Cotter Pin                |
| 24   | 25176100    | 2   | Stop  |
| 25   | 35417201    | 2   | Runner Stop Pin                               |

| ITEM | PART NUMBER | QTY | DESCRIPTION        |
|------|-------------|-----|--------------------|
| 26   | 33016600    | 1   | Platform Lock      |
| 27   | 33038100    | 1   | Platform Lock Stop |
| 28   | 33016000    | 1   | Pin Assembly       |

# PLATFORM AND RUNNER ASSEMBLY



**CAUTION:**

Do not remove Items #8 and #20 with the deck in the open position. As this will allow the torsion bars to unwind, causing the Item #12 or Item #19 to snap out suddenly.

**WALTCO  
TRUCK EQUIPMENT CO.  
MDR 160, 160AF**

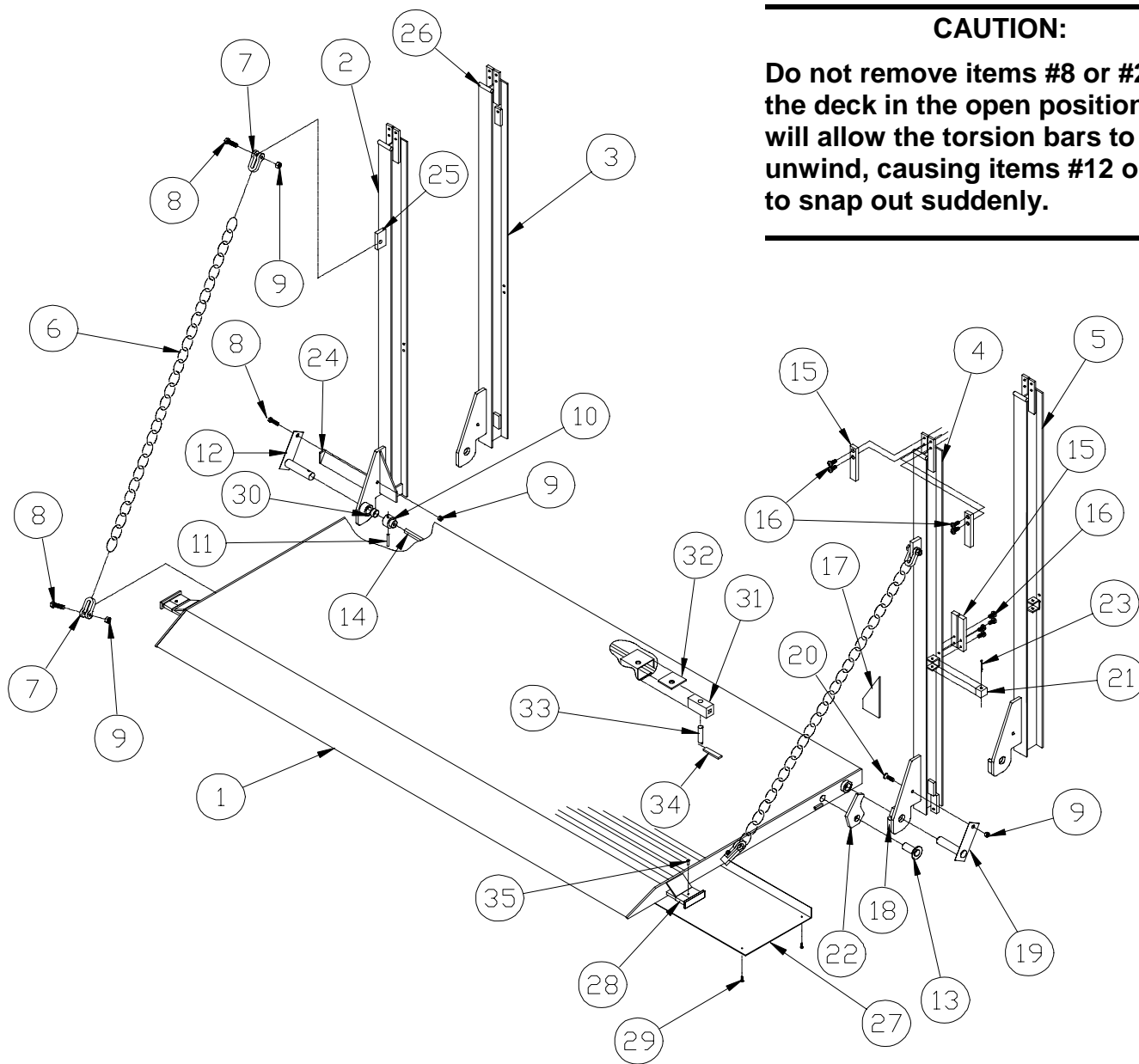
REVISED: 5-12-00  
E.O. 4176  
REV. 05

**PM-237**

| ITEM | PART NUMBER | QTY | DESCRIPTION   |
|------|-------------|-----|---|
| 1    | 33511030    | 1   | 30" x 90" + 6" Deck Assy.                                     |
|      | 33511017    |     | 30" x 86" + 6" Deck Assy.                                     |
|      | 33511018    |     | 30" x 82" + 6" Deck Assy.                                     |
|      | 33511036    |     | 36" x 90" + 6" Deck Assy.                                     |
|      | 33511019    |     | 36" x 86" + 6" Deck Assy.                                     |
|      | 33511020    |     | 36" x 82" + 6" Deck Assy.                                     |
|      | 33511021    |     | 42" x 90" + 6" Deck Assy.                                     |
|      | 33511022    |     | 42" x 86" + 6" Deck Assy.                                     |
|      | 33511023    |     | 42" x 82" + 6" Deck Assy.                                     |
| 2    | 33535051    | 1   | Runner Assy. D.S. (MDR 160 Only)                              |
| 3    | 33635051    | 1   | Runner Assy. D.S. (MDR 160AF Only)                            |
| 4    | 33535001    | 1   | Runner Assy. C.S. (MDR 160 Only)                              |
| 5    | 33635001    | 1   | Runner Assy. C.S. (MDR 160AF Only)                            |
| 6    | 33574200    | 1   | Support Chain (MDR 160 Only)                                  |
|      | 33674200    |     | Support Chain (MDR 160AF Only)                                |
| 7    | 75089364    | 1   | Shackle   |
| 8    | 75086058    | 2   | 3/8"-16 x 1-1/2" Hex Head Screw                               |
| 9    | 75085005    | 3   | 3/8"-16 Hex Nut, Serrated                                     |
| 10   | 33570500    | 1   | Torsion Bar Anchor Assy. D.S.                                 |
| 11   | 75089539    | 2   | 1/2" Coiled Pin   |
| 12   | 33012050    | 1   | Hinge Pin Assy. D.S.  |
|      | 33070200    |     | Torsion Bar C.S. (36" x 86" & 90" Decks)                      |
|      | 33570200    |     | Torsion Bar C.S. (30", & 36" x 82" Decks)                     |
| 13   | 33070200    | 1   | Torsion Bar C.S. (36" x 86" & 90" Decks)                      |
|      | 33570200    |     | Torsion Bar C.S. (30", & 36" x 82" Decks)                     |
|      | 33570230    |     | Torsion Bar C.S. (42" Decks)                                  |
| 14   | 33670200    | 1   | Torsion Bar D.S. (36" x 86" & 90" Decks)                      |
|      | 33570200    |     | Torsion Bar D.S. (30", 42" & 36" x 82" Decks)                 |
| 15   | 33035700    | 8   | Plastic Slide Bearing   |
| 16   | 75086854    | 16  | 1/4"-20 x 5/8" Self Tapping Screw                             |
| 17   | 33071100    | 2   | Deck Support Gusset   |
| 18   | 33014800    | 2   | Support Pad   |
| 19   | 33012000    | 1   | Hinge Pin Assy. C.S.  |
| 20   | 75086003    | 1   | 3/8"-16 x 1-1/2" Flat Head Screw                              |
| 21   | 33038800    | 2   | Plastic Block   |
| 22   | 33070500    | 1   | Torsion Bar Anchor Assy. C.S.<br>42", & 36" x 86" & 90" Decks |
|      | 33570500    |     | Torsion Bar Anchor Assy. C.S.<br>30", & 36" x 82" Decks       |
| 23   | 75084055    | 2   | 5/32 Dia. x 2-1/2" Cotter Pin                                 |
| 24   | 25176100    | 2   | Stop  |

| ITEM | PART NUMBER | QTY | DESCRIPTION        |
|------|-------------|-----|--------------------|
| 25   | 35417201    | 2   | Runner Stop Pin    |
| 26   | 33016600    | 1   | Platform Lock      |
| 27   | 33038100    | 1   | Platform Lock Stop |
| 28   | 33016000    | 1   | Pin Assembly       |

# PLATFORM AND RUNNER ASSY



**CAUTION:**

Do not remove items #8 or #20 with the deck in the open position. This will allow the torsion bars to unwind, causing items #12 or #19 to snap out suddenly.

**WALTCO  
TRUCK EQUIPMENT CO.  
MDR 125, 125AF WITH  
ALUMINUM PLATFORM**

REVISED: 04-30-99  
E.O. 3888  
REV. 02

**PM-258**

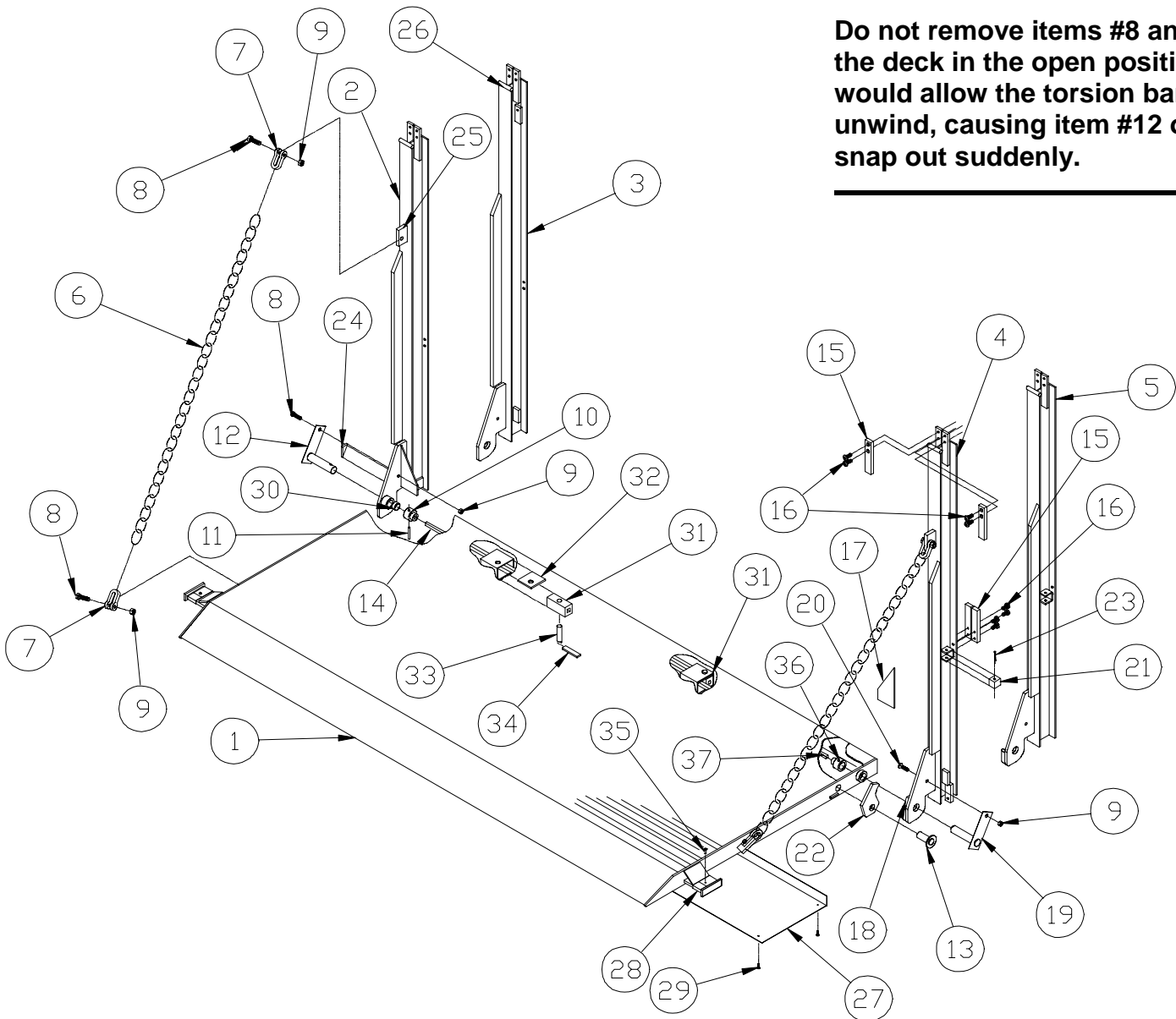
| ITEM | PART NUMBER | QTY | DESCRIPTION  |
|------|-------------|-----|--|
| 1    | *           | 1   | Deck Assembly (Specify Size)                                 |
| 2    | 33035051    | 1   | Runner Assembly (Driver's Side) (MDR-125 & MDR-AP-125)       |
| 3    | 33135051    | 1   | Runner Assembly (Driver's Side) (MDR-125-AF & MDR-AP-125-AF) |
| 4    | 33035001    | 1   | Runner Assembly (Curb Side) (MDR-125 & MDR-AP-125)           |
| 5    | 33135001    | 1   | Runner Assembly (Curb Side)(MDR-125-AF & MDR-AP-125-AF)      |
| 6    | 33574210    | 2   | Support Chain  |
| 7    | 75089364    | 2   | Shackle  |
| 8    | 75086058    | 5   | 3/8"-16 x 1-1/2" Hex HD. Screw                               |
| 9    | 75085005    | 6   | 3/8"-16 Hex Nut Serrated                                     |
| 10   | 33519620    | 1   | Collar, Torsion Bar (28" Decks)                              |
|      | 33519610    | 1   | Collar, Torsion Bar (37" Decks)                              |
| 11   | 75086219    | 1   | 3/8"-16 x 1-1/2" Hex HD. Screw Grade 8                       |
| 12   | 33512000    | 1   | Hinge Pin Assembly (Driver's Side)                           |
| 13   | 33516000    | 1   | Pin Assembly   |
| 14   | 33570200    | 1   | Torsion Bar (28" Decks)                                      |
|      | 33570230    | 1   | Torsion Bar (37" Decks)                                      |
| 15   | 33035700    | 8   | Plastic Slide Bearing  |
| 16   | 75086854    | 16  | 1/4"-20 x 5/8" Self Tapping Screw                            |
| 17   | 33071100    | 2   | Deck Support Gusset  |
| 18   | 33038100    | 1   | Platform Lock Stop   |
| 19   | 33512050    | 1   | Hinge Pin Assembly (Curb Side)                               |
| 20   | 75086003    | 1   | 3/8"-16 x 1-1/2" Flat Head Screw                             |
| 21   | 33038800    | 2   | Plastic Block  |
| 22   | 33516600    | 1   | Platform Lock  |
| 23   | 75084055    | 2   | 5/32" DIA. x 2-1/2" Cotter Pin                               |
| 24   | 25176100    | 2   | Stop   |
| 25   | 33511900    | 2   | Support Chain Anchor   |
| 26   | 35417201    | 2   | Runner Stop Pin  |
| 27   | 33520101    | 1   | Cover, Torsion Bar (88" Wide Decks)                          |
|      | 33520102    | 1   | Cover, Torsion Bar (85" Wide Decks)                          |
|      | 33520103    | 1   | Cover Torsion Bar (81" Wide Decks)                           |
| 28   | 34015700    | 2   | Bearing (Platform Retainer Bar)                              |
| 29   | 75089415    | 10  | 3/16" x 1/2" Rivet Stainless Steel                           |
| 30   | 33573100    | 2   | Bronze Bearing   |

| ITEM | PART NUMBER | QTY | DESCRIPTION                         |
|------|-------------|-----|-------------------------------------|
| 31   | 34070710    | 1   | Torsion Bar Anchor (28" Decks Only) |
|      | 34070610    | 1   | Torsion Bar Anchor (37" Decks Only) |
| 32   | 34070530    | 1   | Spacer Plate                        |
| 33   | 34070540    | 1   | Retaining Pin                       |
| 34   | 34070541    | 1   | Retaining Bar                       |
| 35   | 75089403    | 2   | 3/16" X 7/16" Drive Rivet           |

**PLATFORM AND RUNNER ASSY**

**CAUTION:**

Do not remove items #8 and #20 with the deck in the open position. This would allow the torsion bars to unwind, causing item #12 or #19 to snap out suddenly.



**WALTCO  
TRUCK EQUIPMENT CO.  
MDR 160, 160AF WITH  
ALUMINUM PLATFORM**

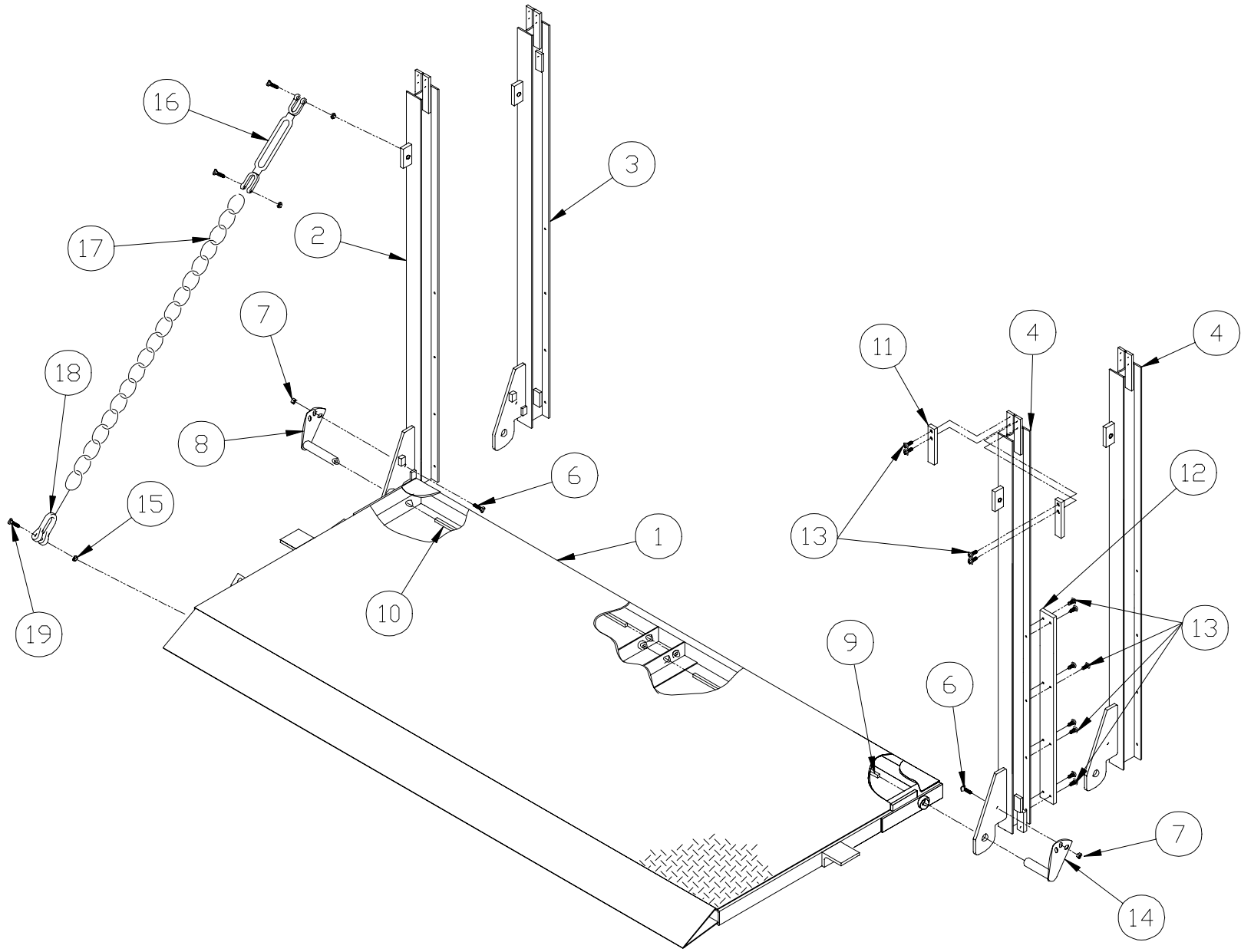
REVISED: 04-30-99  
E.O. 3888  
REV. 04

**PM-257**

| ITEM | PART NUMBER | QTY | DESCRIPTION  |
|------|-------------|-----|--|
| 1    | *           | 1   | Deck Assembly (Specify Size)                                 |
| 2    | 33535051    | 1   | Runner Assembly (Driver's Side) (MDR-160 & MDR-AP-160)       |
| 3    | 33635051    | 1   | Runner Assembly (Driver's Side) (MDR-160-AF & MDR-AP-160-AF) |
| 4    | 33535001    | 1   | Runner Assembly (Curb Side) (MDR-160 & MDR-AP-160)           |
| 5    | 33635001    | 1   | Runner Assembly (Curb Side) (MDR-160-AF & MDR-AP-160-AF)     |
| 6    | 33574210    | 2   | Support Chain  |
| 7    | 75089364    | 2   | Shackle  |
| 8    | 75086058    | 5   | 3/8"-16 x 1-1/2" Hex HD. Screw                               |
| 9    | 75085005    | 6   | 3/8"-16 Hex Nut Serrated                                     |
| 10   | 33519620    | 1   | Collar Torsion Bar (28" Decks)                               |
|      | 33519610    |     | Collar Torsion Bar (37" 46" & 55" Decks)                     |
| 11   | 75086219    | 1   | 3/8"-16 x 1-1/2" Hex HD. Screw, Grade 8 (28" & 37" Decks)    |
|      | 75086219    | 2   | 3/8"-16 x 1-1/2" Hex HD. Screw, Grade 8 (46" & 55" Decks)    |
| 12   | 33512000    | 1   | Hinge Pin Assembly (Driver's Side)                           |
| 13   | 33516000    | 1   | Pin Assembly   |
| 14   | 33570200    | 1   | Torsion Bar (28" Decks)                                      |
|      | 33570230    |     | Torsion Bar (37", 46" & 55" Decks)                           |
| 15   | 33035700    | 8   | Plastic Slide Bearing  |
| 16   | 75086854    | 16  | 1/4"-20 x 5/8" Self Tapping Screw                            |
| 17   | 33071100    | 2   | Deck Support Gusset  |
| 18   | 33038100    | 1   | Platform Lock Stop   |
| 19   | 33512050    | 1   | Hinge Pin Assembly (Curb Side) (28" & 37" Decks)             |
|      | 33512000    | 1   | Hinge Pin Assembly (Curb Side) (46" & 55" Decks)             |
| 20   | 75086003    | 1   | 3/8"-16 x 1-1/2" Flat Head Screw                             |
| 21   | 33038800    | 2   | Plastic Block  |
| 22   | 33516600    | 1   | Platform Lock  |
| 23   | 75084055    | 2   | 5/32" DIA. x 2-1/2" Cotter Pin                               |
| 24   | 25176100    | 2   | Stop   |
| 25   | 33511900    | 2   | Support Chain Anchor   |
| 26   | 35417201    | 2   | Runner Stop Pin  |
| 27   | 33520101    | 1   | Cover, Torsion Bar (88" Wide Decks)                          |
|      | 33520102    | 1   | Cover, Torsion Bar (85" Wide Decks)                          |
|      | 33520103    | 1   | Cover, Torsion Bar (81" Wide Decks)                          |

| ITEM | PART NUMBER | QTY | DESCRIPTION                          |
|------|-------------|-----|--------------------------------------|
| 28   | 34015700    | 2   | Bearing (Platform Retainer Bar)      |
| 29   | 75089415    | 10  | 3/16" x 1/2" Rivet Stainless Steel   |
| 30   | 33573100    | 2   | Bronze Bearing                       |
| 31   | 34070710    | 1   | Torsion Bar Anchor (28" Decks Only)  |
|      | 34070610    | 1   | Torsion Bar Anchor (37" Decks Only)  |
|      | 34070600    | 1   | Torsion Bar Anchor (46" Decks)       |
|      | 34070600    | 2   | Torsion Bar Anchor (55" Decks)       |
|      | 34070700    | 1   | Torsion Bar Anchor (46" Decks Only)  |
| 32   | 34070530    | 1   | Spacer Plate (2 on 55" Decks)        |
| 33   | 34070540    | 1   | Retaining Pin (2 on 55" Decks)       |
| 34   | 34070541    | 1   | Retaining Bar (2 on 55" Decks)       |
| 35   | 75089403    | 2   | 3/16" X 7/16" Drive Rivet            |
| 36   | 33519610    | 1   | Collar, Torsion Bar (55" Decks Only) |
|      | 33519620    | 1   | Collar, Torsion Bar (46" Decks Only) |
| 37   | 33670200    | 1   | Torsion Bar (46" Decks Only)         |
|      | 33570230    | 1   | Torsion Bar (55" Decks Only)         |

# PLATFORM AND RUNNER ASSEMBLY



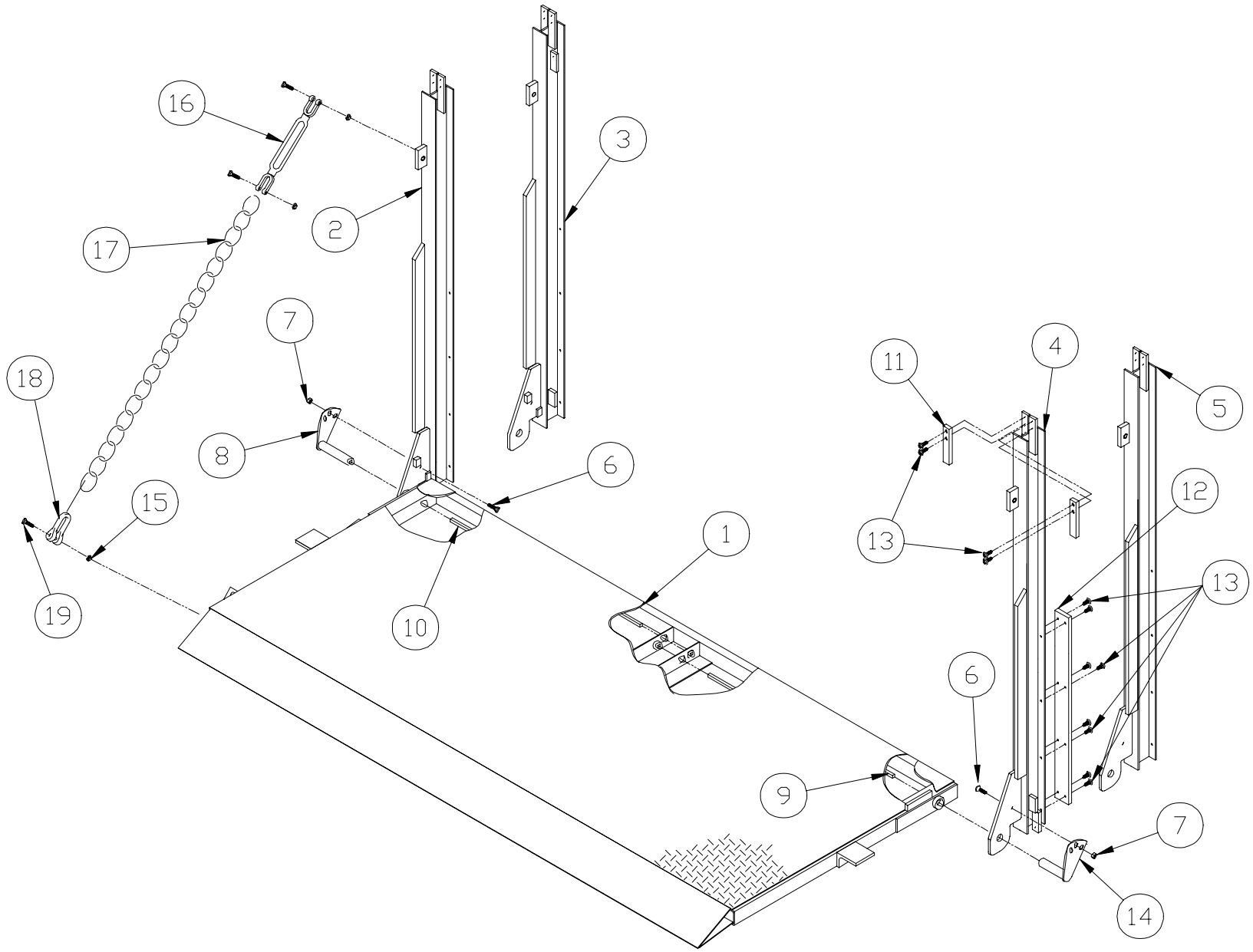
**WALTCO**  
**TRUCK EQUIPMENT CO.**  
**MDRRM-125, 125AF**

REVISED: 12/1/03  
 E.O. 5221  
 REV. 01

**PM-235E**

| ITEM | PART NUMBER | QTY | DESCRIPTION   |
|------|-------------|-----|---|
| 1    | 39511030    | 1   | 30" x 89" + 6" Deck Assembly  |
|      | 39511036    | 1   | 36" x 89" + 6" Deck Assembly  |
|      | 39511021    | 1   | 42" x 89" + 6" Deck Assembly  |
|      | 39511017    | 1   | 30" x 85" + 6" Deck Assembly  |
|      | 39511019    | 1   | 36" x 85" + 6" Deck Assembly  |
|      | 39511022    | 1   | 42" x 85" + 6" Deck Assembly  |
|      | 39511018    | 1   | 30" x 81" + 6" Deck Assembly  |
|      | 39511020    | 1   | 36" x 81" + 6" Deck Assembly  |
|      | 39511023    | 1   | 42" x 81" + 6" Deck Assembly  |
| 2    | 39035051    | 1   | Runner Assembly (Street Side)   |
| 3    | 39135051    | 1   | Runner Assembly (Street Side), AF   |
| 4    | 39035001    | 1   | Runner Assembly (Curb Side)   |
| 5    | 39135001    | 1   | Runner Assembly (Curb Side), AF   |
| 6    | 75086056    | 2   | 3/8"-16 x 1" Hex Bolt   |
| 7    | 75085005    | 2   | 3/8"-16 Hex Nut, Serrated   |
| 8    | 39012000    | 1   | 3/8" Hinge Pin Casting (Street Side)                                      |
| 9    | 33070200    | 1   | Torsion Bar (36" x 85" & 89" Decks)<br>(Curb Side)                        |
|      | 33570200    | 1   | Torsion Bar (36" x 81" Decks) (30" decks)<br>(Curb Side)                  |
|      | 33570230    | 1   | Torsion Bar (42" decks) (Curb Side)                                       |
| 10   | 33670200    | 1   | Torsion Bar (36" x 85" & 89" Decks)<br>(Street Side)                      |
|      | 33570200    | 1   | Torsion Bar (36" x 81" Decks)<br>(30" & 42" Decks) (Street Side)          |
| 11   | 39035700    | 4   | Plastic Slide Bearing   |
| 12   | 39035750    | 2   | Plastic Slide Bearing   |
| 13   | 75086854    | 24  | 1/4"-20 x 5/8" Self Tapping Screw   |
| 14   | 39012000    | 1   | 3/8" Hinge Pin Casting (36" x 81" Decks)<br>(30" Decks) (Curb Side)       |
|      | 39512000    | 1   | 1/2" Hinge Pin Casting (36" x 85" & 89"<br>Decks) (42" Decks) (Curb Side) |
| 15   | 75085185    | 1   | 3/8" Nylon Locknut (Optional)   |
| 16   | 34074310    | 1   | 1/2" Turnbuckle (Optional)  |
| 17   | 39574200    | 1   | Support Chain (Optional)  |
| 18   | 75089364    | 1   | Shackle (Optional)  |
| 19   | 75086063    | 1   | 3/8"-16 x 2" Stainless Steel Bolt (Optional)                              |

# PLATFORM AND RUNNER ASSEMBLY



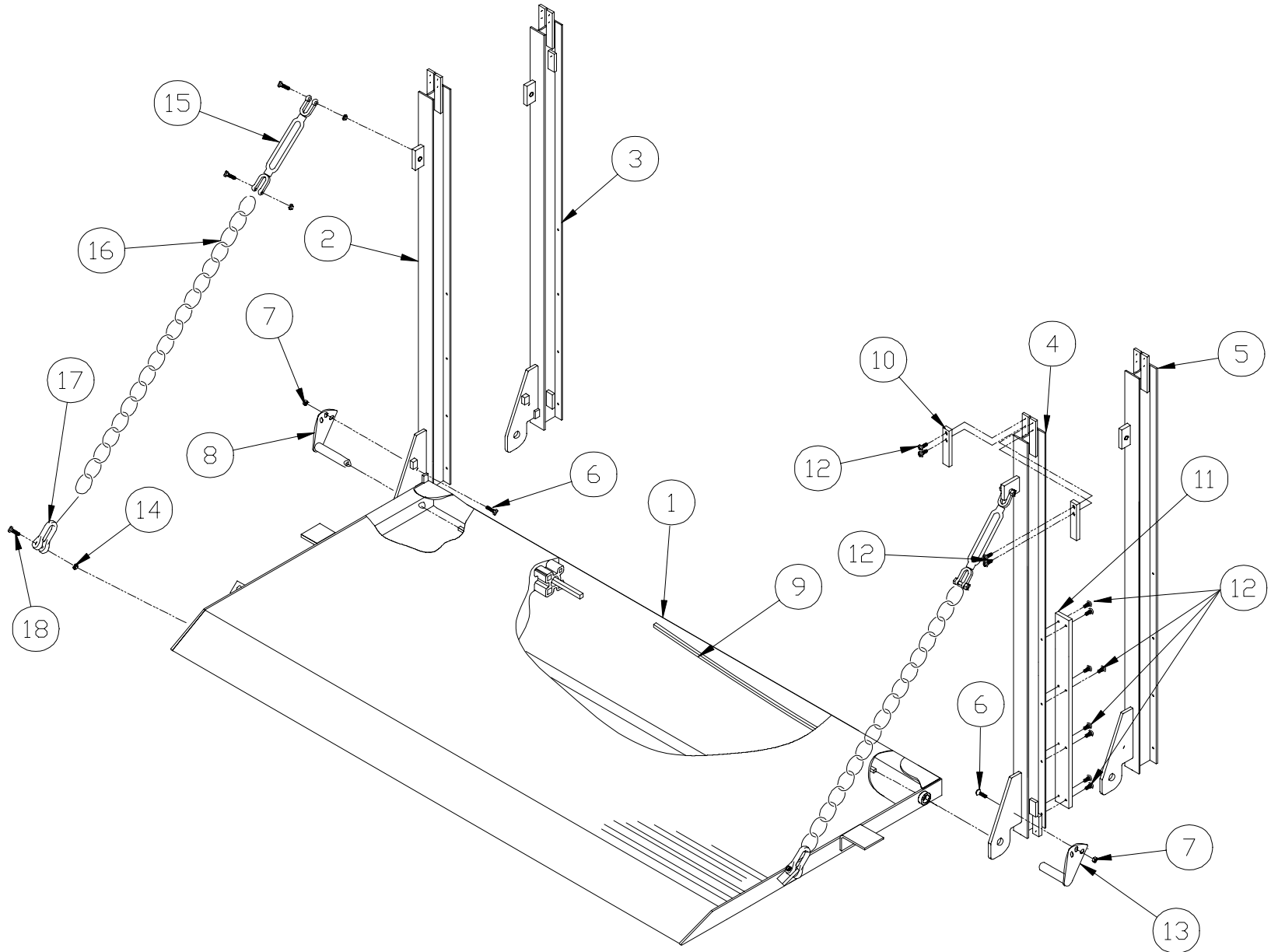
**WALTCO**  
**TRUCK EQUIPMENT CO.**  
**MDRRM-160, 160AF**

REVISED: 12/1/03  
 E.O. 5221  
 REV. 01

**PM-237E**

| ITEM | PART NUMBER | QTY | DESCRIPTION   |
|------|-------------|-----|---|
| 1    | 39511030    | 1   | 30" x 89" + 6" Deck Assembly  |
|      | 39511036    | 1   | 36" x 89" + 6" Deck Assembly  |
|      | 39511021    | 1   | 42" x 89" + 6" Deck Assembly  |
|      | 39511017    | 1   | 30" x 85" + 6" Deck Assembly  |
|      | 39511019    | 1   | 36" x 85" + 6" Deck Assembly  |
|      | 39511022    | 1   | 42" x 85" + 6" Deck Assembly  |
|      | 39511018    | 1   | 30" x 81" + 6" Deck Assembly  |
|      | 39511020    | 1   | 36" x 81" + 6" Deck Assembly  |
|      | 39511023    | 1   | 42" x 81" + 6" Deck Assembly  |
| 2    | 39535051    | 1   | Runner Assembly (Street Side)   |
| 3    | 39635051    | 1   | Runner Assembly (Street Side), AF   |
| 4    | 39535001    | 1   | Runner Assembly (Curb Side)   |
| 5    | 39635001    | 1   | Runner Assembly (Curb Side), AF   |
| 6    | 75086056    | 2   | 3/8"-16 x 1" Hex Bolt   |
|      | 75085005    | 2   | 3/8"-16 Hex Nut, Serrated   |
|      | 39012000    | 1   | 3/8" Hinge Pin Casting (Street Side)                                      |
| 9    | 33070200    | 1   | Torsion Bar (36" x 85" & 89" Decks)<br>(Curb Side)                        |
|      | 33570200    | 1   | Torsion Bar (36" x 81" Decks) (30" decks)<br>(Curb Side)                  |
|      | 33570230    | 1   | Torsion Bar (42" decks) (Curb Side)                                       |
| 10   | 33670200    | 1   | Torsion Bar (36" x 85" & 89" Decks)<br>(Street Side)                      |
|      | 33570200    | 1   | Torsion Bar (36" x 81" Decks)<br>(30" & 42" Decks) (Street Side)          |
| 11   | 39035700    | 4   | Plastic Slide Bearing   |
| 12   | 39035750    | 2   | Plastic Slide Bearing   |
| 13   | 75086854    | 24  | 1/4"-20 x 5/8" Self Tapping Screw   |
|      | 39012000    | 1   | 3/8" Hinge Pin Casting (36" x 81" Decks)<br>(30" Decks) (Curb Side)       |
| 14   | 39512000    | 1   | 1/2" Hinge Pin Casting (36" x 85" & 89"<br>Decks) (42" Decks) (Curb Side) |
| 15   | 75085185    | 1   | 3/8" Nylon Locknut (Optional)   |
| 16   | 34074310    | 1   | 1/2" Turnbuckle (Optional)  |
| 17   | 39574200    | 1   | Support Chain (Optional)  |
| 18   | 75089364    | 1   | Shackle (Optional)  |
| 19   | 75086063    | 1   | 3/8"-16 x 2" Stainless Steel Bolt (Optional)                              |

# PLATFORM AND RUNNER ASSEMBLY



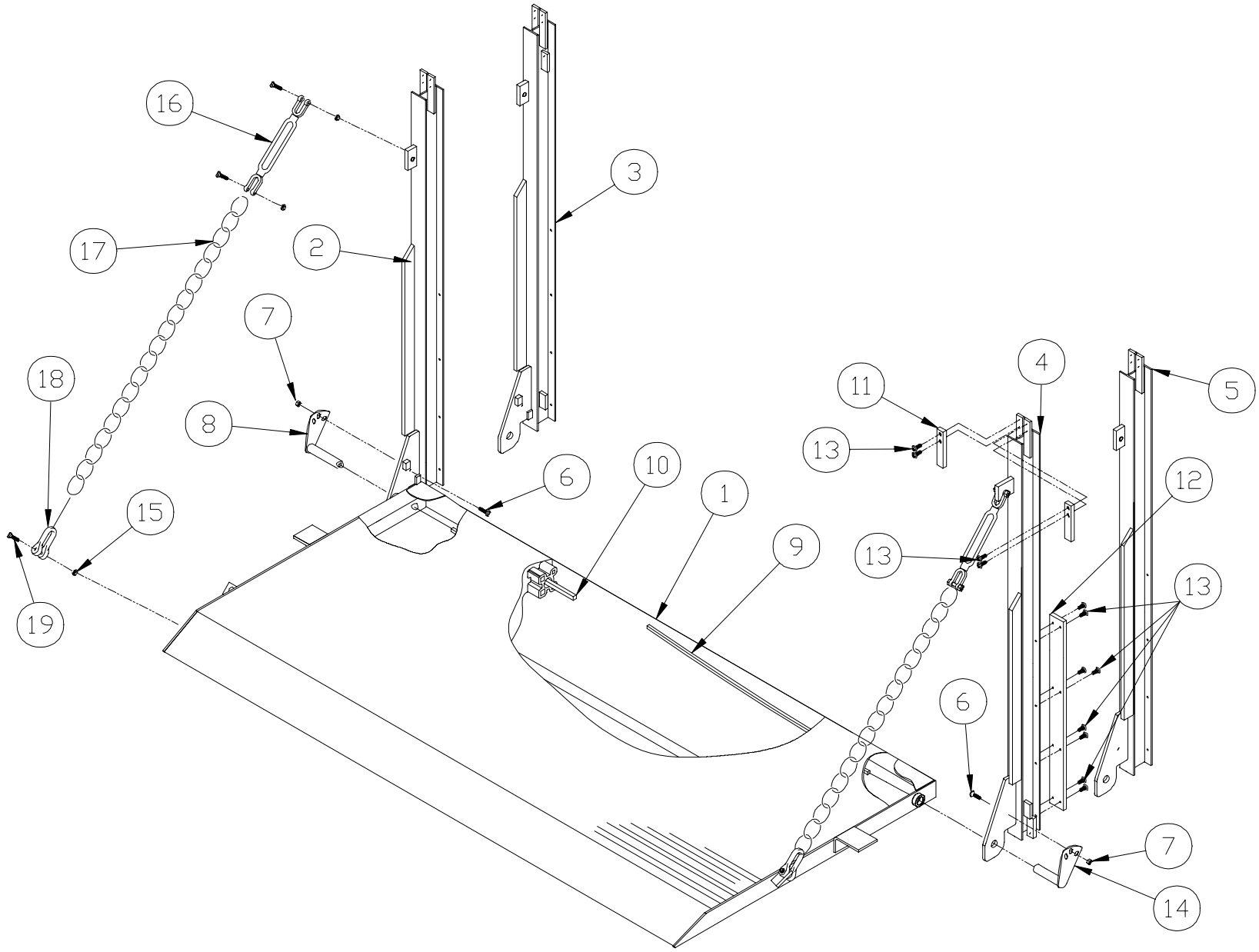
**WALTCO**  
**TRUCK EQUIPMENT CO.**  
**MDRRM-125, 125AF with**  
**ALUMINUM PLATFORM**

REVISED: 12/1/03  
 E.O. 5221  
 REV. 01

**PM-258C**

| ITEM | PART NUMBER | QTY | DESCRIPTION  |
|------|-------------|-----|--|
| 1    | 39511001    | 1   | 27-1/2" x 89-1/2" + 9" Deck Assembly               |
|      | 39511002    | 1   | 36-1/2" x 89-1/2" + 9" Deck Assembly               |
|      | 39511005    | 1   | 27-1/2" x 85-1/2" + 9" Deck Assembly               |
|      | 39511006    | 1   | 36-1/2" x 85-1/2" + 9" Deck Assembly               |
|      | 39511009    | 1   | 27-1/2" x 81-1/2" + 9" Deck Assembly               |
|      | 39511010    | 1   | 36-1/2" x 81-1/2" + 9" Deck Assembly               |
| 2    | 39035051    | 1   | Runner Assembly (Street Side)                      |
| 3    | 39135051    | 1   | Runner Assembly (Street Side), AF                  |
| 4    | 39035001    | 1   | Runner Assembly (Curb Side)                        |
| 5    | 39135001    | 1   | Runner Assembly (Curb Side), AF                    |
| 6    | 75086056    | 2   | 3/8"-16 x 1" Hex Bolt                              |
| 7    | 75085005    | 2   | 3/8"-16 Hex Nut, Serrated                          |
| 8    | 39512000    | 1   | 1/2" Hinge Pin Casting                             |
| 9    | 33570230    | 1   | Torsion Bar (36-1/2" Decks) (Curb Side)            |
|      | 33570200    | 1   | Torsion Bar (27-1/2" Decks) (Curb Side)            |
| 10   | 39035700    | 4   | Plastic Slide Bearing                              |
| 11   | 39035750    | 2   | Plastic Slide Bearing                              |
| 12   | 75086854    | 24  | 1/4"-20 x 5/8" Self Tapping Screw                  |
| 13   | 39512000    | 1   | 1/2" Hinge Pin Casting (36-1/2" Decks) (Curb Side) |
|      | 39012000    | 1   | 3/8" Hinge Pin Casting (27-1/2" Decks) (Curb Side) |
| 14   | 75085185    | 2   | 3/8" Nylon Locknut                                 |
| 15   | 34074310    | 2   | 1/2" Turnbuckle                                    |
| 16   | 39574210    | 2   | Support Chain                                      |
| 17   | 75089364    | 2   | Shackle  |
| 18   | 75086063    | 2   | 3/8"-16 x 2" Stainless Steel Bolt                  |

# PLATFORM AND RUNNER ASSEMBLY



**WALTCO**  
**TRUCK EQUIPMENT CO.**  
**MDRRM-160, 160AF with**  
**ALUMINUM PLATFORM**

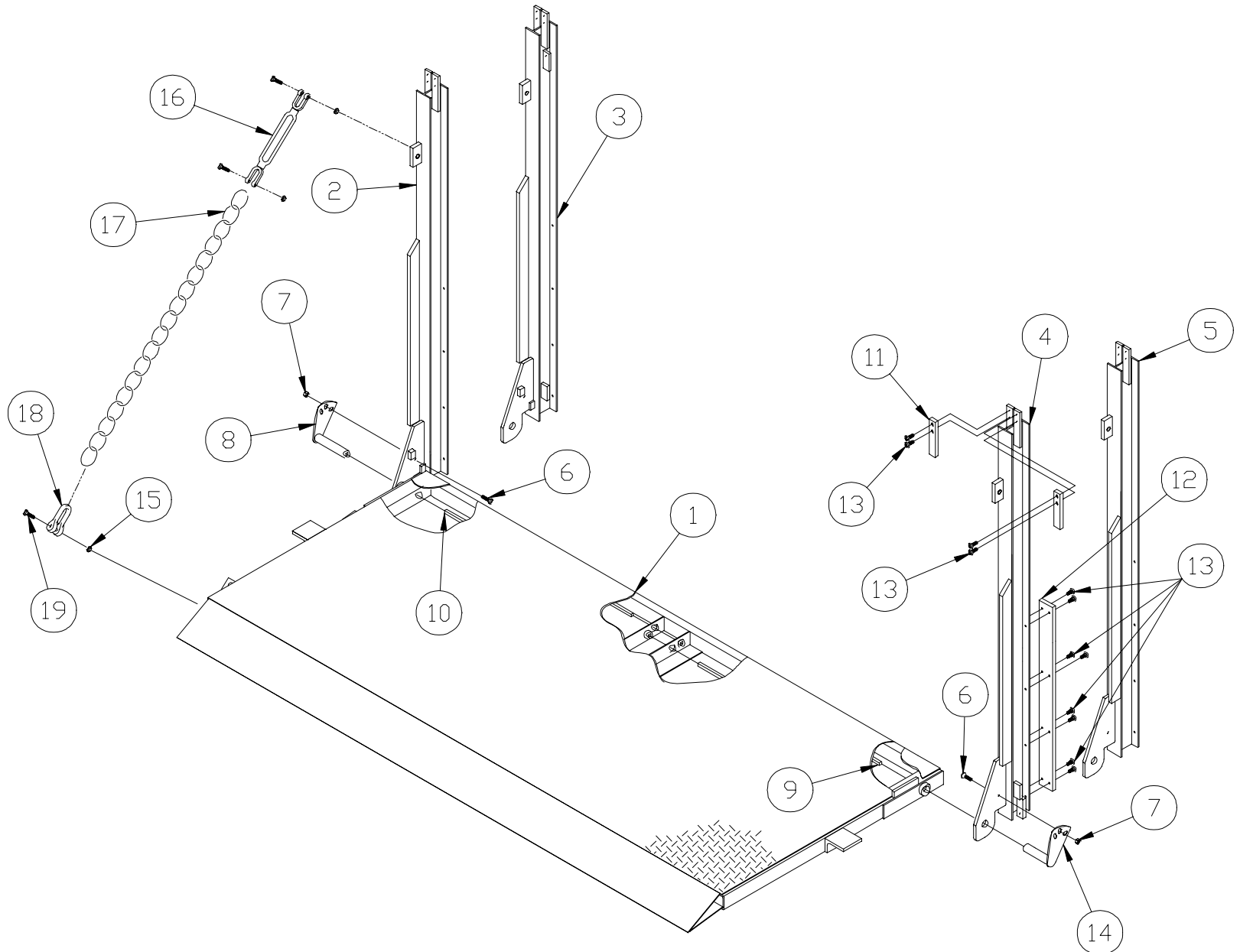
REVISED: 12/1/03  
 E.O. 5221  
 REV. 01

**PM-257C**

| ITEM | PART NUMBER | QTY | DESCRIPTION  |
|------|-------------|-----|--|
| 1    | 39511001    | 1   | 27-1/2" x 89-1/2" + 9" Deck Assembly                             |
|      | 39511002    | 1   | 36-1/2" x 89-1/2" + 9" Deck Assembly                             |
|      | 39511003    | 1   | 45-1/2" x 89-1/2" + 9" Deck Assembly                             |
|      | 39511004    | 1   | 54-1/2" x 89-1/2" + 9" Deck Assembly                             |
|      | 39511005    | 1   | 27-1/2" x 85-1/2" + 9" Deck Assembly                             |
|      | 39511006    | 1   | 36-1/2" x 85-1/2" + 9" Deck Assembly                             |
|      | 39511007    | 1   | 45-1/2" x 85-1/2" + 9" Deck Assembly                             |
|      | 39511008    | 1   | 54-1/2" x 85-1/2" + 9" Deck Assembly                             |
|      | 39511009    | 1   | 27-1/2" x 81-1/2" + 9" Deck Assembly                             |
|      | 39511010    | 1   | 36-1/2" x 81-1/2" + 9" Deck Assembly                             |
|      | 39511011    | 1   | 45-1/2" x 81-1/2" + 9" Deck Assembly                             |
|      | 39511012    | 1   | 54-1/2" x 81-1/2" + 9" Deck Assembly                             |
| 2    | 39535051    | 1   | Runner Assembly (Street Side)                                    |
| 3    | 39635051    | 1   | Runner Assembly (Street Side), AF                                |
| 4    | 39535001    | 1   | Runner Assembly (Curb Side)                                      |
| 5    | 39635001    | 1   | Runner Assembly (Curb Side), AF                                  |
| 6    | 75086056    | 2   | 3/8"-16 x 1" Hex Bolt  |
| 7    | 75085005    | 2   | 3/8"-16 Hex Nut, Serrated  |
| 8    | 39012000    | 1   | 3/8" Hinge Pin Casting (45-1/2" Decks)<br>(Street Side)          |
|      | 39512000    | 1   | 1/2" Hinge Pin Casting (36-1/2", 54-1/2"<br>Decks) (Street Side) |
| 9    | 33570230    | 1   | Torsion Bar (36-1/2", 45-1/2", 54-1/2"<br>Decks) (Curb Side)     |
|      | 33570200    | 1   | Torsion Bar (27-1/2" Decks) (Curb Side)                          |
| 10   | 33670200    | 1   | Torsion Bar (45-1/2" Decks) (Street Side)                        |
|      | 33570230    | 1   | Torsion Bar (54-1/2" Decks) (Street Side)                        |
| 11   | 39035700    | 4   | Plastic Slide Bearing  |
| 12   | 39035750    | 2   | Plastic Slide Bearing  |
| 13   | 75086854    | 24  | 1/4"-20 x 5/8" Self Tapping Screw                                |
| 14   | 39512000    | 1   | 1/2" Hinge Pin Casting (Curb Side)                               |
| 15   | 75085185    | 2   | 3/8" Nylon Locknut   |
| 16   | 34074310    | 2   | 1/2" Turnbuckle  |
| 17   | 39574210    | 2   | Support Chain (27-1/2" & 36-1/2" Decks)                          |
|      | 39574220    | 2   | Support Chain (45-1/2" & 54-1/2" Decks)                          |
| 18   | 75089364    | 2   | Shackle  |
| 19   | 75086063    | 2   | 3/8"-16 x 2" Stainless Steel Bolt                                |



# PLATFORM AND RUNNER ASSEMBLY



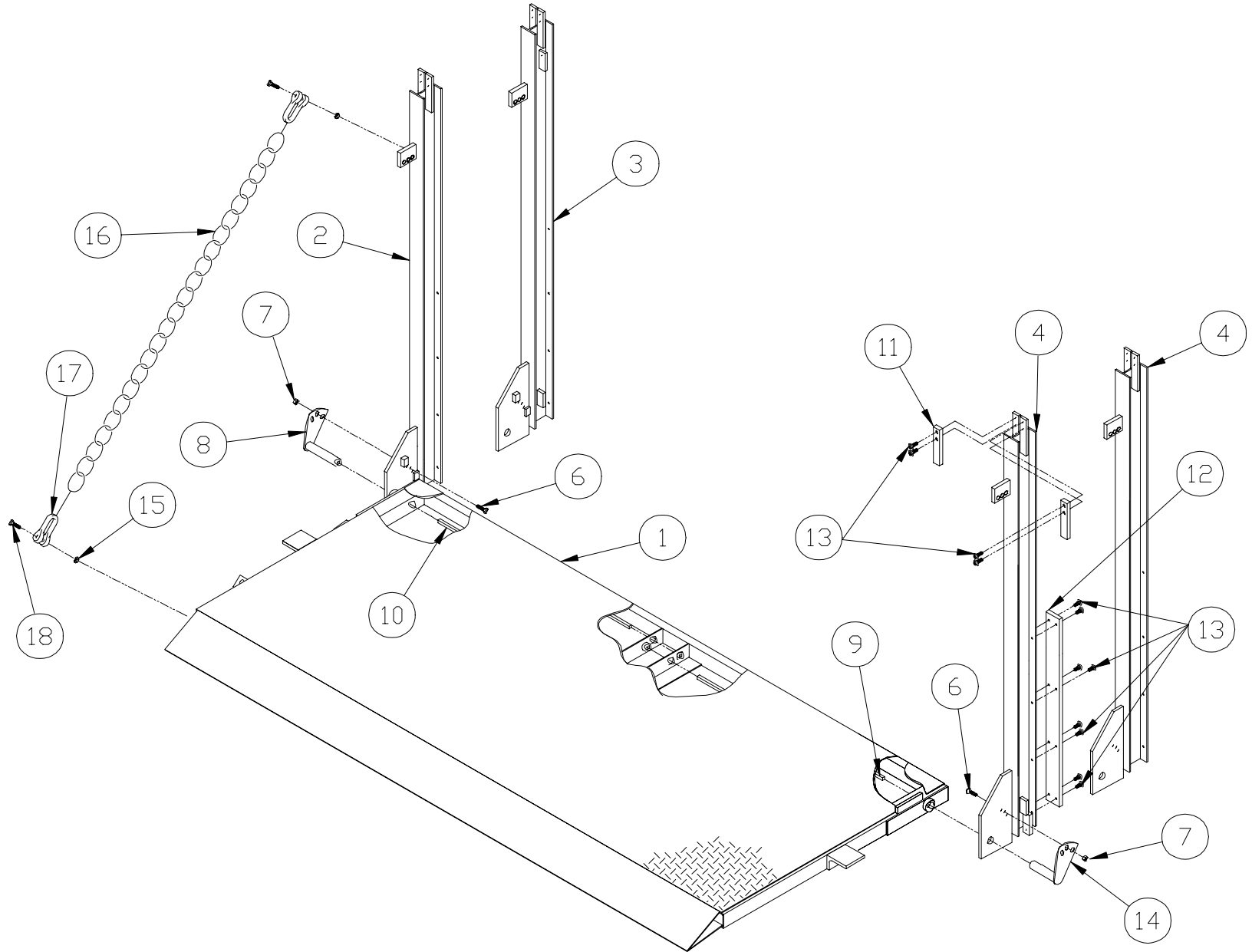
**WALTCO**  
**TRUCK EQUIPMENT CO.**  
**MDRRM-200, 200AF**

REVISED: 12/1/03  
 E.O. 5221  
 REV. 01

**PM-551A**

| ITEM | PART NUMBER | QTY | DESCRIPTION   |
|------|-------------|-----|---|
| 1    | 39511030    | 1   | 30" x 89" + 6" Deck Assembly  |
|      | 39511036    | 1   | 36" x 89" + 6" Deck Assembly  |
|      | 39511021    | 1   | 42" x 89" + 6" Deck Assembly  |
|      | 39511017    | 1   | 30" x 85" + 6" Deck Assembly  |
|      | 39511019    | 1   | 36" x 85" + 6" Deck Assembly  |
|      | 39511022    | 1   | 42" x 85" + 6" Deck Assembly  |
|      | 39511018    | 1   | 30" x 81" + 6" Deck Assembly  |
|      | 39511020    | 1   | 36" x 81" + 6" Deck Assembly  |
|      | 39511023    | 1   | 42" x 81" + 6" Deck Assembly  |
| 2    | 39730051    | 1   | Runner Assembly (Street Side)   |
| 3    | 39930051    | 1   | Runner Assembly (Street Side), AF   |
| 4    | 39730001    | 1   | Runner Assembly (Curb Side)   |
| 5    | 39930001    | 1   | Runner Assembly (Curb Side), AF   |
| 6    | 75086056    | 2   | 3/8"-16 x 1" Hex Bolt   |
|      | 75085005    | 2   | 3/8"-16 Hex Nut, Serrated   |
|      | 39012000    | 1   | 3/8" Hinge Pin Casting (Street Side)                                      |
| 9    | 33070200    | 1   | Torsion Bar (36" x 85" & 89" Decks)<br>(Curb Side)                        |
|      | 33570200    | 1   | Torsion Bar (36" x 81" Decks) (30" decks)<br>(Curb Side)                  |
|      | 33570230    | 1   | Torsion Bar (42" decks) (Curb Side)                                       |
| 10   | 33670200    | 1   | Torsion Bar (36" x 85" & 89" Decks)<br>(Street Side)                      |
|      | 33570200    | 1   | Torsion Bar (36" x 81" Decks)<br>(30" & 42" Decks) (Street Side)          |
| 11   | 39035700    | 4   | Plastic Slide Bearing   |
| 12   | 39035750    | 2   | Plastic Slide Bearing   |
| 13   | 75086854    | 24  | 1/4"-20 x 5/8" Self Tapping Screw   |
|      | 39012000    | 1   | 3/8" Hinge Pin Casting (36" x 81" Decks)<br>(30" Decks) (Curb Side)       |
| 14   | 39512000    | 1   | 1/2" Hinge Pin Casting (36" x 85" & 89"<br>Decks) (42" Decks) (Curb Side) |
|      | 75085185    | 1   | 3/8" Nylon Locknut (Optional)   |
| 16   | 34074310    | 1   | 1/2" Turnbuckle (Optional)  |
| 17   | 39574200    | 1   | Support Chain (Optional)  |
| 18   | 75089364    | 1   | Shackle (Optional)  |
| 19   | 75086063    | 1   | 3/8"-16 x 2" Stainless Steel Bolt (Optional)                              |

# PLATFORM AND RUNNER ASSEMBLY



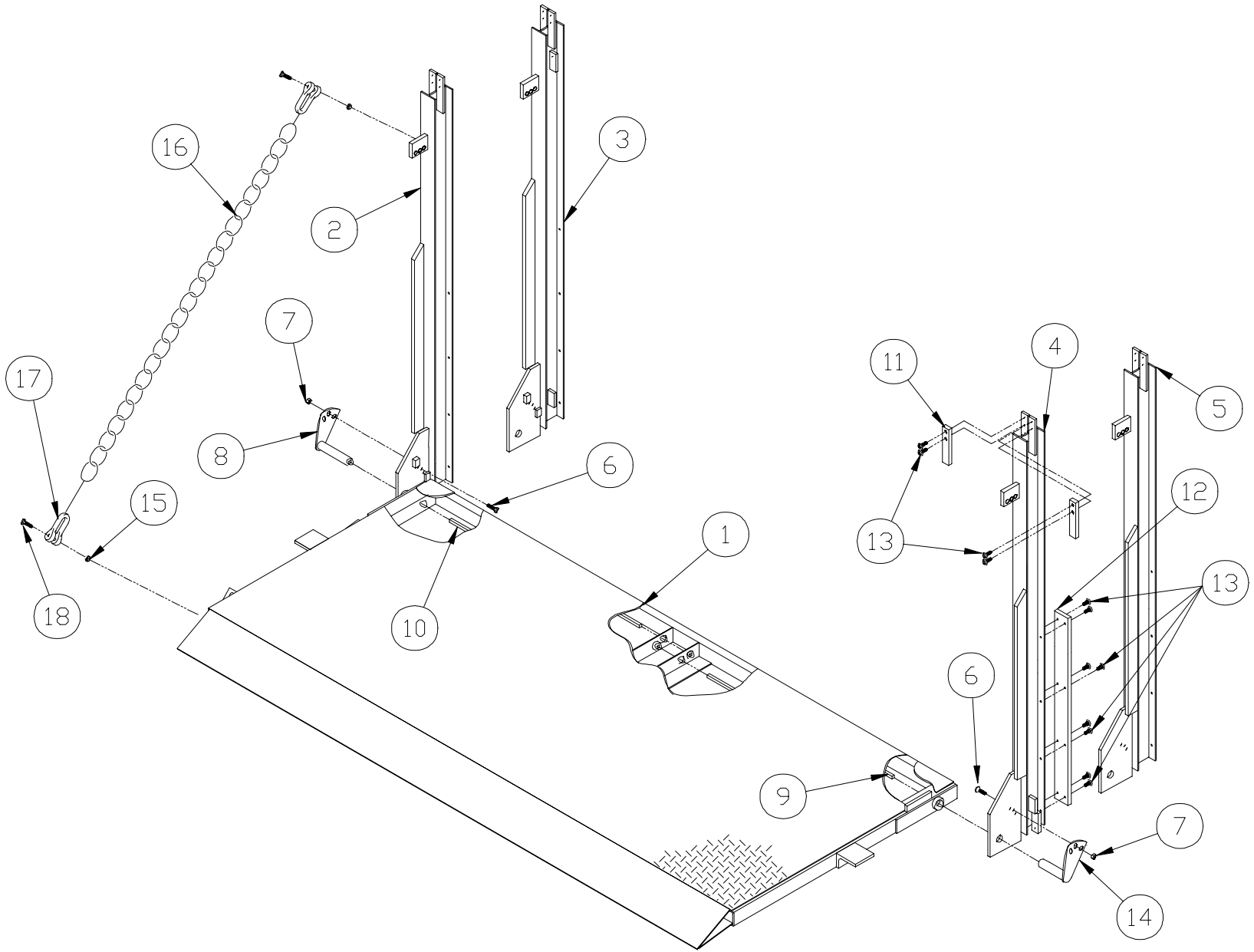
**WALTCO**  
**TRUCK EQUIPMENT CO.**  
**MDRRM-125, 125AF**

REVISED: 12/1/03  
 E.O. 5221  
 REV. 01

**PM-235F**

| ITEM | PART NUMBER | QTY | DESCRIPTION   |
|------|-------------|-----|---|
| 1    | 39511030    | 1   | 30" x 89" + 6" Deck Assembly  |
|      | 39511036    | 1   | 36" x 89" + 6" Deck Assembly  |
|      | 39511021    | 1   | 42" x 89" + 6" Deck Assembly  |
|      | 39511017    | 1   | 30" x 85" + 6" Deck Assembly  |
|      | 39511019    | 1   | 36" x 85" + 6" Deck Assembly  |
|      | 39511022    | 1   | 42" x 85" + 6" Deck Assembly  |
|      | 39511018    | 1   | 30" x 81" + 6" Deck Assembly  |
|      | 39511020    | 1   | 36" x 81" + 6" Deck Assembly  |
|      | 39511023    | 1   | 42" x 81" + 6" Deck Assembly  |
| 2    | 39035051    | 1   | Runner Assembly (Street Side)   |
| 3    | 39135051    | 1   | Runner Assembly (Street Side), AF   |
| 4    | 39035001    | 1   | Runner Assembly (Curb Side)   |
| 5    | 39135001    | 1   | Runner Assembly (Curb Side), AF   |
| 6    | 75086056    | 2   | 3/8"-16 x 1" Hex Bolt   |
| 7    | 75085005    | 2   | 3/8"-16 Hex Nut, Serrated   |
| 8    | 39012000    | 1   | 3/8" Hinge Pin Casting (Street Side)                                      |
| 9    | 33070200    | 1   | Torsion Bar (36" x 85" & 89" Decks)<br>(Curb Side)                        |
|      | 33570200    | 1   | Torsion Bar (36" x 81" Decks) (30" decks)<br>(Curb Side)                  |
|      | 33570230    | 1   | Torsion Bar (42" decks) (Curb Side)                                       |
| 10   | 33670200    | 1   | Torsion Bar (36" x 85" & 89" Decks)<br>(Street Side)                      |
|      | 33570200    | 1   | Torsion Bar (36" x 81" Decks)<br>(30" & 42" Decks) (Street Side)          |
| 11   | 39035700    | 4   | Plastic Slide Bearing   |
| 12   | 39035750    | 2   | Plastic Slide Bearing   |
| 13   | 75086854    | 24  | 1/4"-20 x 5/8" Self Tapping Screw   |
| 14   | 39012000    | 1   | 3/8" Hinge Pin Casting (36" x 81" Decks)<br>(30" Decks) (Curb Side)       |
|      | 39512000    | 1   | 1/2" Hinge Pin Casting (36" x 85" & 89"<br>Decks) (42" Decks) (Curb Side) |
| 15   | 75085185    | 2   | 3/8" Nylon Locknut (Optional)   |
| 16   | 39574201    | 1   | Support Chain (Optional)  |
| 17   | 75089364    | 2   | Shackle (Optional)  |
| 18   | 75086063    | 2   | 3/8"-16 x 2" Stainless Steel Bolt (Optional)                              |

# PLATFORM AND RUNNER ASSEMBLY



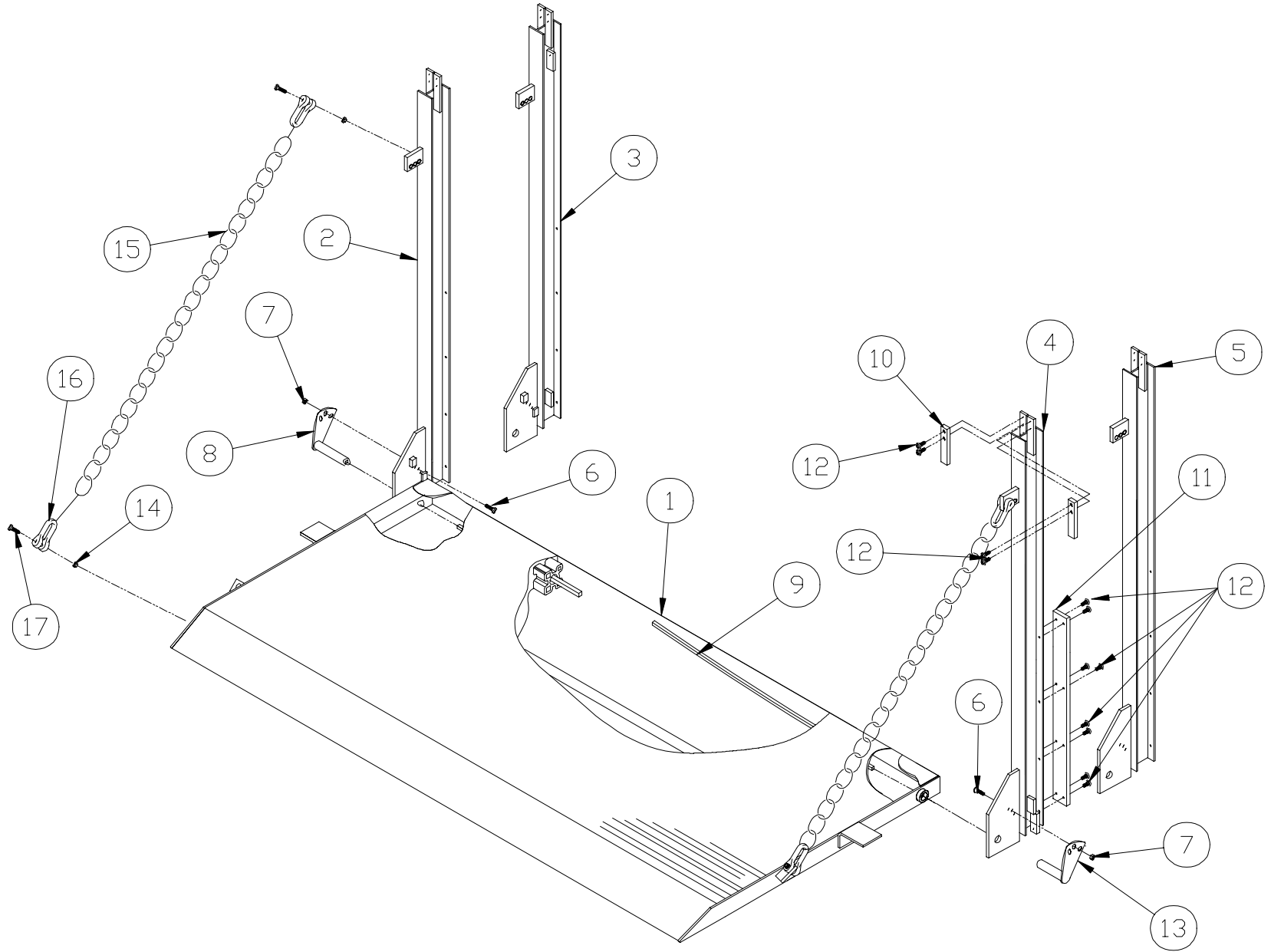
**WALTCO**  
**TRUCK EQUIPMENT CO.**  
**MDRRM-160, 160AF**

REVISED: 12/1/03  
 E.O. 5221  
 REV. 01

**PM-237F**

| ITEM | PART NUMBER | QTY | DESCRIPTION   |
|------|-------------|-----|---|
| 1    | 39511030    | 1   | 30" x 89" + 6" Deck Assembly  |
|      | 39511036    | 1   | 36" x 89" + 6" Deck Assembly  |
|      | 39511021    | 1   | 42" x 89" + 6" Deck Assembly  |
|      | 39511017    | 1   | 30" x 85" + 6" Deck Assembly  |
|      | 39511019    | 1   | 36" x 85" + 6" Deck Assembly  |
|      | 39511022    | 1   | 42" x 85" + 6" Deck Assembly  |
|      | 39511018    | 1   | 30" x 81" + 6" Deck Assembly  |
|      | 39511020    | 1   | 36" x 81" + 6" Deck Assembly  |
|      | 39511023    | 1   | 42" x 81" + 6" Deck Assembly  |
| 2    | 39535051    | 1   | Runner Assembly (Street Side)   |
| 3    | 39635051    | 1   | Runner Assembly (Street Side), AF   |
| 4    | 39535001    | 1   | Runner Assembly (Curb Side)   |
| 5    | 39635001    | 1   | Runner Assembly (Curb Side), AF   |
| 6    | 75086056    | 2   | 3/8"-16 x 1" Hex Bolt   |
|      | 75085005    | 2   | 3/8"-16 Hex Nut, Serrated   |
|      | 39012000    | 1   | 3/8" Hinge Pin Casting (Street Side)                                      |
| 9    | 33070200    | 1   | Torsion Bar (36" x 85" & 89" Decks)<br>(Curb Side)                        |
|      | 33570200    | 1   | Torsion Bar (36" x 81" Decks) (30" decks)<br>(Curb Side)                  |
|      | 33570230    | 1   | Torsion Bar (42" decks) (Curb Side)                                       |
| 10   | 33670200    | 1   | Torsion Bar (36" x 85" & 89" Decks)<br>(Street Side)                      |
|      | 33570200    | 1   | Torsion Bar (36" x 81" Decks)<br>(30" & 42" Decks) (Street Side)          |
| 11   | 39035700    | 4   | Plastic Slide Bearing   |
| 12   | 39035750    | 2   | Plastic Slide Bearing   |
| 13   | 75086854    | 24  | 1/4"-20 x 5/8" Self Tapping Screw   |
| 14   | 39012000    | 1   | 3/8" Hinge Pin Casting (36" x 81" Decks)<br>(30" Decks) (Curb Side)       |
|      | 39512000    | 1   | 1/2" Hinge Pin Casting (36" x 85" & 89"<br>Decks) (42" Decks) (Curb Side) |
| 15   | 75085185    | 2   | 3/8" Nylon Locknut (Optional)   |
| 16   | 39574200    | 1   | Support Chain (Optional)  |
| 17   | 75089364    | 4   | Shackle (Optional)  |
| 18   | 75086063    | 2   | 3/8"-16 x 2" Stainless Steel Bolt (Optional)                              |

**PLATFORM AND RUNNER ASSEMBLY**



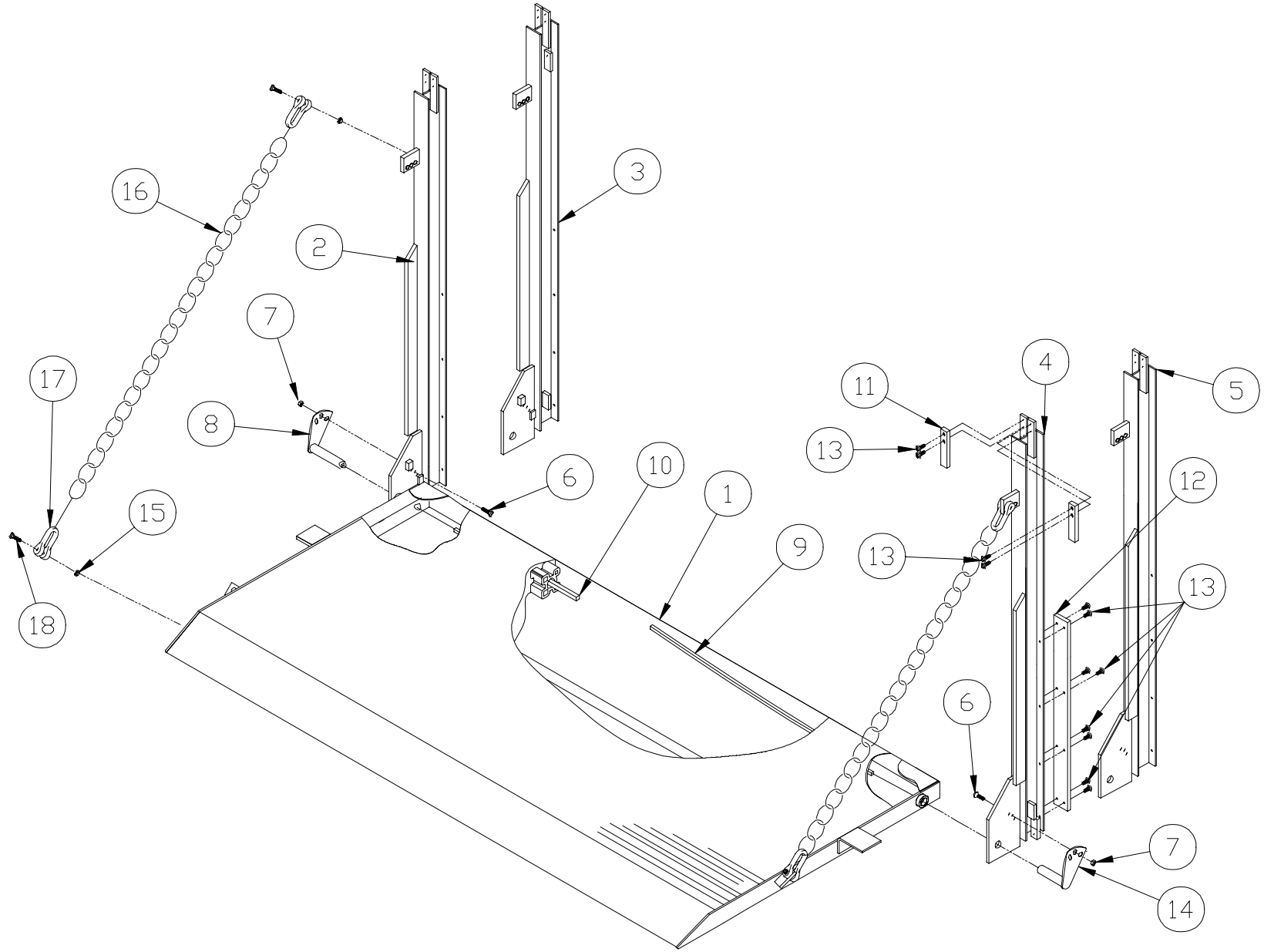
**WALTCO**  
**TRUCK EQUIPMENT CO.**  
**MDRRM-125, 125AF with**  
**ALUMINUM PLATFORM**

REVISED: 12/1/03  
 E.O. 5221  
 REV. 01

**PM-258D**

| ITEM | PART NUMBER | QTY | DESCRIPTION  |
|------|-------------|-----|--|
| 1    | 39511001    | 1   | 27-1/2" x 89-1/2" + 9" Deck Assembly               |
|      | 39511002    | 1   | 36-1/2" x 89-1/2" + 9" Deck Assembly               |
|      | 39511005    | 1   | 27-1/2" x 85-1/2" + 9" Deck Assembly               |
|      | 39511006    | 1   | 36-1/2" x 85-1/2" + 9" Deck Assembly               |
|      | 39511009    | 1   | 27-1/2" x 81-1/2" + 9" Deck Assembly               |
|      | 39511010    | 1   | 36-1/2" x 81-1/2" + 9" Deck Assembly               |
| 2    | 39035051    | 1   | Runner Assembly (Street Side)                      |
| 3    | 39135051    | 1   | Runner Assembly (Street Side), AF                  |
| 4    | 39035001    | 1   | Runner Assembly (Curb Side)                        |
| 5    | 39135001    | 1   | Runner Assembly (Curb Side), AF                    |
| 6    | 75086056    | 2   | 3/8"-16 x 1" Hex Bolt                              |
| 7    | 75085005    | 2   | 3/8"-16 Hex Nut, Serrated                          |
| 8    | 39512000    | 1   | 1/2" Hinge Pin Casting                             |
| 9    | 33570230    | 1   | Torsion Bar (36-1/2" Decks) (Curb Side)            |
|      | 33570200    | 1   | Torsion Bar (27-1/2" Decks) (Curb Side)            |
| 10   | 39035700    | 4   | Plastic Slide Bearing                              |
| 11   | 39035750    | 2   | Plastic Slide Bearing                              |
| 12   | 75086854    | 24  | 1/4"-20 x 5/8" Self Tapping Screw                  |
| 13   | 39512000    | 1   | 1/2" Hinge Pin Casting (36-1/2" Decks) (Curb Side) |
|      | 39012000    | 1   | 3/8" Hinge Pin Casting (27-1/2" Decks) (Curb Side) |
| 14   | 75085185    | 4   | 3/8" Nylon Locknut                                 |
| 15   | 39574210    | 2   | Support Chain                                      |
| 16   | 75089364    | 4   | Shackle  |
| 17   | 75086222    | 4   | 3/8"-16 x 1-3/4" Stainless Steel Bolt              |

# PLATFORM AND RUNNER ASSEMBLY



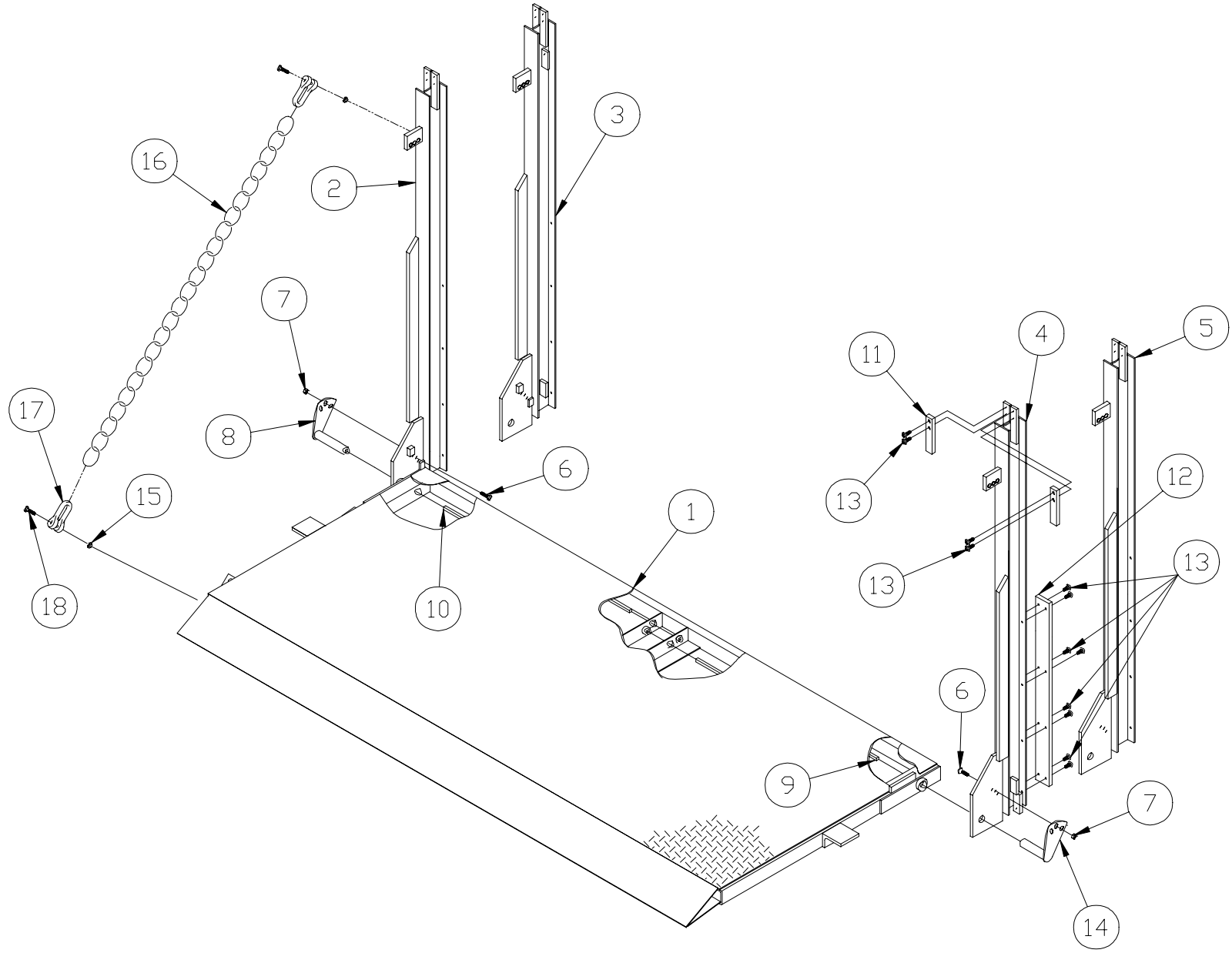
**WALTCO**  
**TRUCK EQUIPMENT CO.**  
**MDRRM-160, 160AF with**  
**ALUMINUM PLATFORM**

REVISED: 12/1/03  
 E.O. 5221  
 REV. 01

**PM-257D**

| ITEM | PART NUMBER | QTY | DESCRIPTION   |
|------|-------------|-----|---|
| 1    | 39511001    | 1   | 27-1/2" x 89-1/2" + 9" Deck Assembly                          |
|      | 39511002    | 1   | 36-1/2" x 89-1/2" + 9" Deck Assembly                          |
|      | 39511003    | 1   | 45-1/2" x 89-1/2" + 9" Deck Assembly                          |
|      | 39511004    | 1   | 54-1/2" x 89-1/2" + 9" Deck Assembly                          |
|      | 39511005    | 1   | 27-1/2" x 85-1/2" + 9" Deck Assembly                          |
|      | 39511006    | 1   | 36-1/2" x 85-1/2" + 9" Deck Assembly                          |
|      | 39511007    | 1   | 45-1/2" x 85-1/2" + 9" Deck Assembly                          |
|      | 39511008    | 1   | 54-1/2" x 85-1/2" + 9" Deck Assembly                          |
|      | 39511009    | 1   | 27-1/2" x 81-1/2" + 9" Deck Assembly                          |
|      | 39511010    | 1   | 36-1/2" x 81-1/2" + 9" Deck Assembly                          |
|      | 39511011    | 1   | 45-1/2" x 81-1/2" + 9" Deck Assembly                          |
|      | 39511012    | 1   | 54-1/2" x 81-1/2" + 9" Deck Assembly                          |
| 2    | 39535051    | 1   | Runner Assembly (Street Side)                                 |
| 3    | 39635051    | 1   | Runner Assembly (Street Side), AF                             |
| 4    | 39535001    | 1   | Runner Assembly (Curb Side)                                   |
| 5    | 39635001    | 1   | Runner Assembly (Curb Side), AF                               |
| 6    | 75086056    | 2   | 3/8"-16 x 1" Hex Bolt   |
| 7    | 75085005    | 2   | 3/8"-16 Hex Nut, Serrated                                     |
| 8    | 39012000    | 1   | 3/8" Hinge Pin Casting (45-1/2" Decks) (Street Side)          |
|      | 39512000    | 1   | 1/2" Hinge Pin Casting (36-1/2", 54-1/2" Decks) (Street Side) |
| 9    | 33570230    | 1   | Torsion Bar (36-1/2", 45-1/2", 54-1/2" Decks) (Curb Side)     |
|      | 33570200    | 1   | Torsion Bar (27-1/2" Decks) (Curb Side)                       |
| 10   | 33670200    | 1   | Torsion Bar (45-1/2" Decks) (Street Side)                     |
|      | 33570230    | 1   | Torsion Bar (54-1/2" Decks) (Street Side)                     |
| 11   | 39035700    | 4   | Plastic Slide Bearing   |
| 12   | 39035750    | 2   | Plastic Slide Bearing   |
| 13   | 75086854    | 24  | 1/4"-20 x 5/8" Self Tapping Screw                             |
| 14   | 39512000    | 1   | 1/2" Hinge Pin Casting (Curb Side)                            |
| 15   | 75085185    | 4   | 3/8" Nylon Locknut  |
| 16   | 39574211    | 2   | Support Chain (27-1/2" & 36-1/2" Decks)                       |
|      | 39574221    | 2   | Support Chain (45-1/2" & 54-1/2" Decks)                       |
| 17   | 75089364    | 4   | Shackle   |
| 18   | 75086222    | 4   | 3/8"-16 x 1-3/4" Stainless Steel Bolt                         |

# PLATFORM AND RUNNER ASSEMBLY



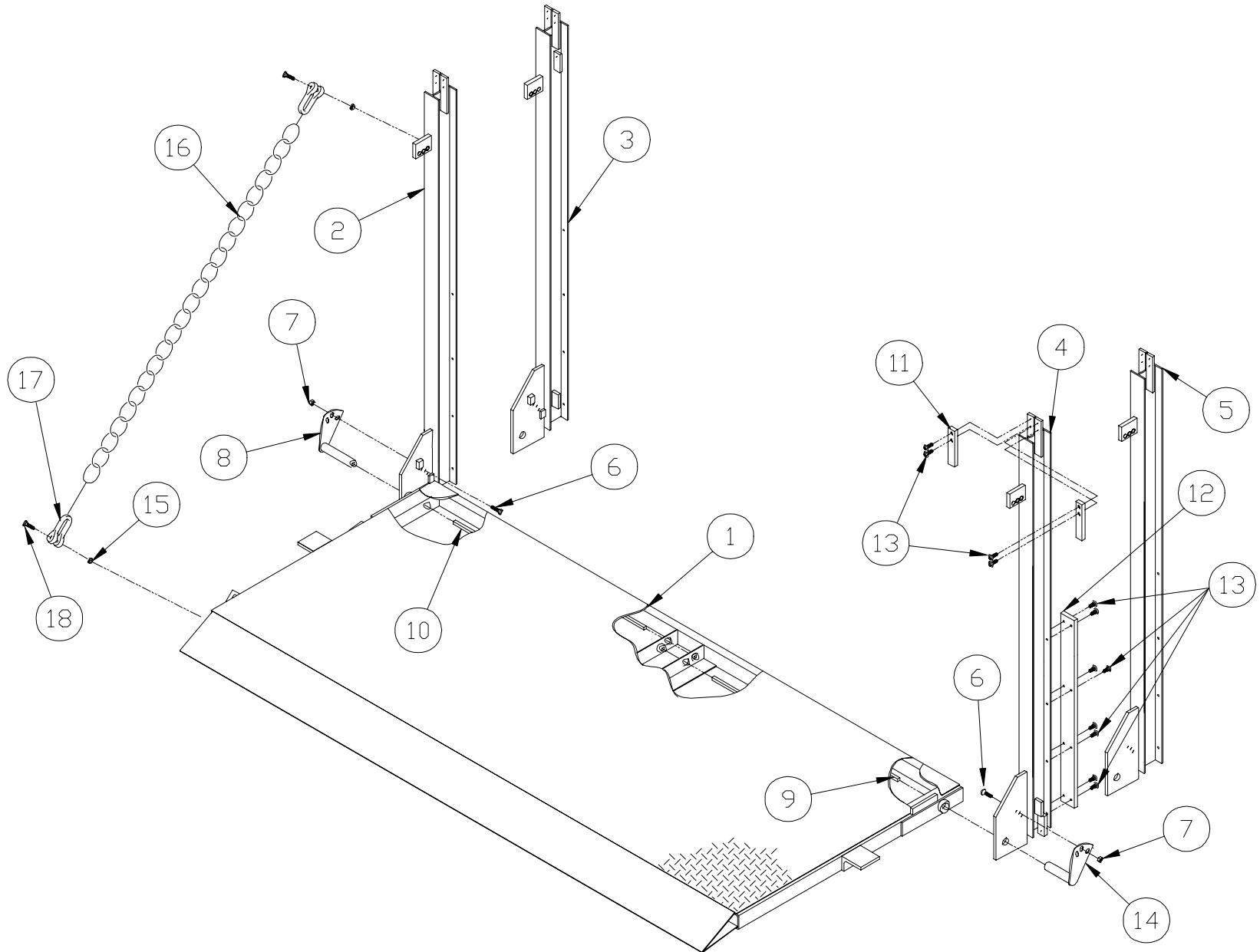
**WALTCO**  
**TRUCK EQUIPMENT CO.**  
**MDRRM-200, 200AF**

REVISED: 12/1/03  
 E.O. 5221  
 REV. 01

**PM-551B**

| ITEM | PART NUMBER | QTY | DESCRIPTION   |
|------|-------------|-----|---|
| 1    | 39511030    | 1   | 30" x 89" + 6" Deck Assembly  |
|      | 39511036    | 1   | 36" x 89" + 6" Deck Assembly  |
|      | 39511021    | 1   | 42" x 89" + 6" Deck Assembly  |
|      | 39511017    | 1   | 30" x 85" + 6" Deck Assembly  |
|      | 39511019    | 1   | 36" x 85" + 6" Deck Assembly  |
|      | 39511022    | 1   | 42" x 85" + 6" Deck Assembly  |
|      | 39511018    | 1   | 30" x 81" + 6" Deck Assembly  |
|      | 39511020    | 1   | 36" x 81" + 6" Deck Assembly  |
|      | 39511023    | 1   | 42" x 81" + 6" Deck Assembly  |
| 2    | 39730051    | 1   | Runner Assembly (Street Side)   |
| 3    | 39930051    | 1   | Runner Assembly (Street Side), AF   |
| 4    | 39730001    | 1   | Runner Assembly (Curb Side)   |
| 5    | 39930001    | 1   | Runner Assembly (Curb Side), AF   |
| 6    | 75086056    | 2   | 3/8"-16 x 1" Hex Bolt   |
|      | 75085005    | 2   | 3/8"-16 Hex Nut, Serrated   |
|      | 39012000    | 1   | 3/8" Hinge Pin Casting (Street Side)                                      |
| 9    | 33070200    | 1   | Torsion Bar (36" x 85" & 89" Decks)<br>(Curb Side)                        |
|      | 33570200    | 1   | Torsion Bar (36" x 81" Decks) (30" decks)<br>(Curb Side)                  |
|      | 33570230    | 1   | Torsion Bar (42" decks) (Curb Side)                                       |
| 10   | 33670200    | 1   | Torsion Bar (36" x 85" & 89" Decks)<br>(Street Side)                      |
|      | 33570200    | 1   | Torsion Bar (36" x 81" Decks)<br>(30" & 42" Decks) (Street Side)          |
| 11   | 39035700    | 4   | Plastic Slide Bearing   |
| 12   | 39035750    | 2   | Plastic Slide Bearing   |
| 13   | 75086854    | 24  | 1/4"-20 x 5/8" Self Tapping Screw   |
| 14   | 39012000    | 1   | 3/8" Hinge Pin Casting (36" x 81" Decks)<br>(30" Decks) (Curb Side)       |
|      | 39512000    | 1   | 1/2" Hinge Pin Casting (36" x 85" & 89"<br>Decks) (42" Decks) (Curb Side) |
| 15   | 75085185    | 2   | 3/8" Nylon Locknut (Optional)   |
| 16   | 39574200    | 1   | Support Chain (Optional)  |
| 17   | 75089364    | 2   | Shackle (Optional)  |
| 18   | 75086222    | 2   | 3/8"-16 x 1-3/4" Stainless Steel Bolt<br>(Optional)                       |

# PLATFORM AND RUNNER ASSEMBLY



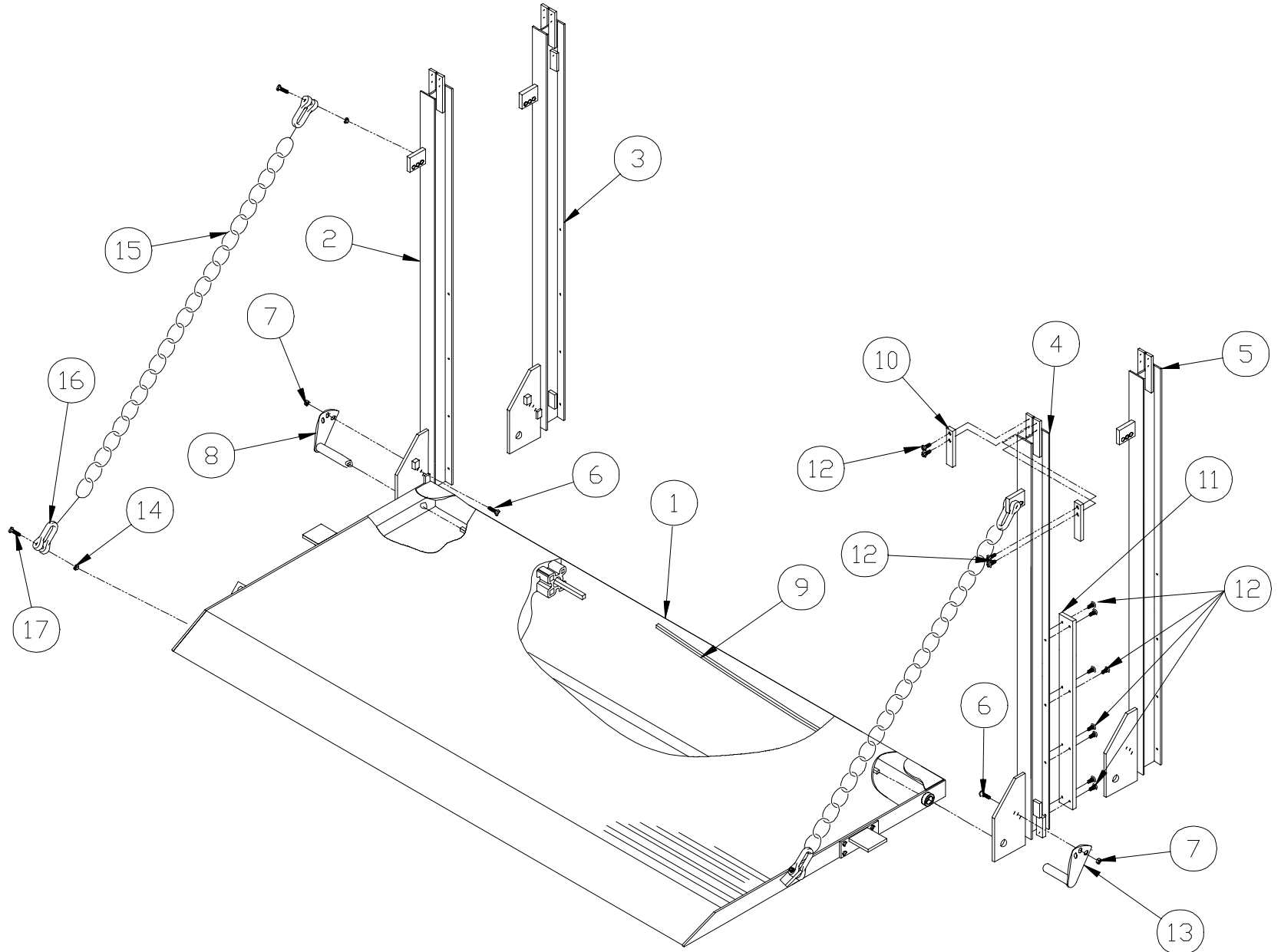
**WALTCO**  
**TRUCK EQUIPMENT CO.**  
**MDRRM-160, 160AF**

REVISED: 12/1/03  
 E.O. 5221  
 REV. 01

**PM-237G**

| ITEM | PART NUMBER | QTY | DESCRIPTION   |
|------|-------------|-----|---|
| 1    | 39511030    | 1   | 30" x 89" + 6" Deck Assembly  |
|      | 39511036    | 1   | 36" x 89" + 6" Deck Assembly  |
|      | 39511021    | 1   | 42" x 89" + 6" Deck Assembly  |
|      | 39511017    | 1   | 30" x 85" + 6" Deck Assembly  |
|      | 39511019    | 1   | 36" x 85" + 6" Deck Assembly  |
|      | 39511022    | 1   | 42" x 85" + 6" Deck Assembly  |
|      | 39511018    | 1   | 30" x 81" + 6" Deck Assembly  |
|      | 39511020    | 1   | 36" x 81" + 6" Deck Assembly  |
|      | 39511023    | 1   | 42" x 81" + 6" Deck Assembly  |
| 2    | 39035051    | 1   | Runner Assembly (Street Side)   |
| 3    | 39135051    | 1   | Runner Assembly (Street Side), AF   |
| 4    | 39035001    | 1   | Runner Assembly (Curb Side)   |
| 5    | 39135001    | 1   | Runner Assembly (Curb Side), AF   |
| 6    | 75086056    | 2   | 3/8"-16 x 1" Hex Bolt   |
|      | 75085005    | 2   | 3/8"-16 Hex Nut, Serrated   |
|      | 39012000    | 1   | 3/8" Hinge Pin Casting (Street Side)                                      |
| 9    | 33070200    | 1   | Torsion Bar (36" x 85" & 89" Decks)<br>(Curb Side)                        |
|      | 33570200    | 1   | Torsion Bar (36" x 81" Decks) (30" decks)<br>(Curb Side)                  |
|      | 33570230    | 1   | Torsion Bar (42" decks) (Curb Side)                                       |
| 10   | 33670200    | 1   | Torsion Bar (36" x 85" & 89" Decks)<br>(Street Side)                      |
|      | 33570200    | 1   | Torsion Bar (36" x 81" Decks)<br>(30" & 42" Decks) (Street Side)          |
| 11   | 39035700    | 4   | Plastic Slide Bearing   |
| 12   | 39035750    | 2   | Plastic Slide Bearing   |
| 13   | 75086854    | 24  | 1/4"-20 x 5/8" Self Tapping Screw   |
|      | 39012000    | 1   | 3/8" Hinge Pin Casting (36" x 81" Decks)<br>(30" Decks) (Curb Side)       |
| 14   | 39512000    | 1   | 1/2" Hinge Pin Casting (36" x 85" & 89"<br>Decks) (42" Decks) (Curb Side) |
| 15   | 75085185    | 2   | 3/8" Nylon Locknut (Optional)   |
| 16   | 39574201    | 1   | Support Chain (Optional)  |
| 17   | 75089364    | 4   | Shackle (Optional)  |
| 18   | 75086222    | 2   | 3/8"-16 x 1-3/4" Stainless Steel Bolt<br>(Optional)                       |

# PLATFORM AND RUNNER ASSEMBLY



**WALTCO**  
**TRUCK EQUIPMENT CO.**  
**MDRRM-125, 125AF with**  
**ALUMINUM PLATFORM**

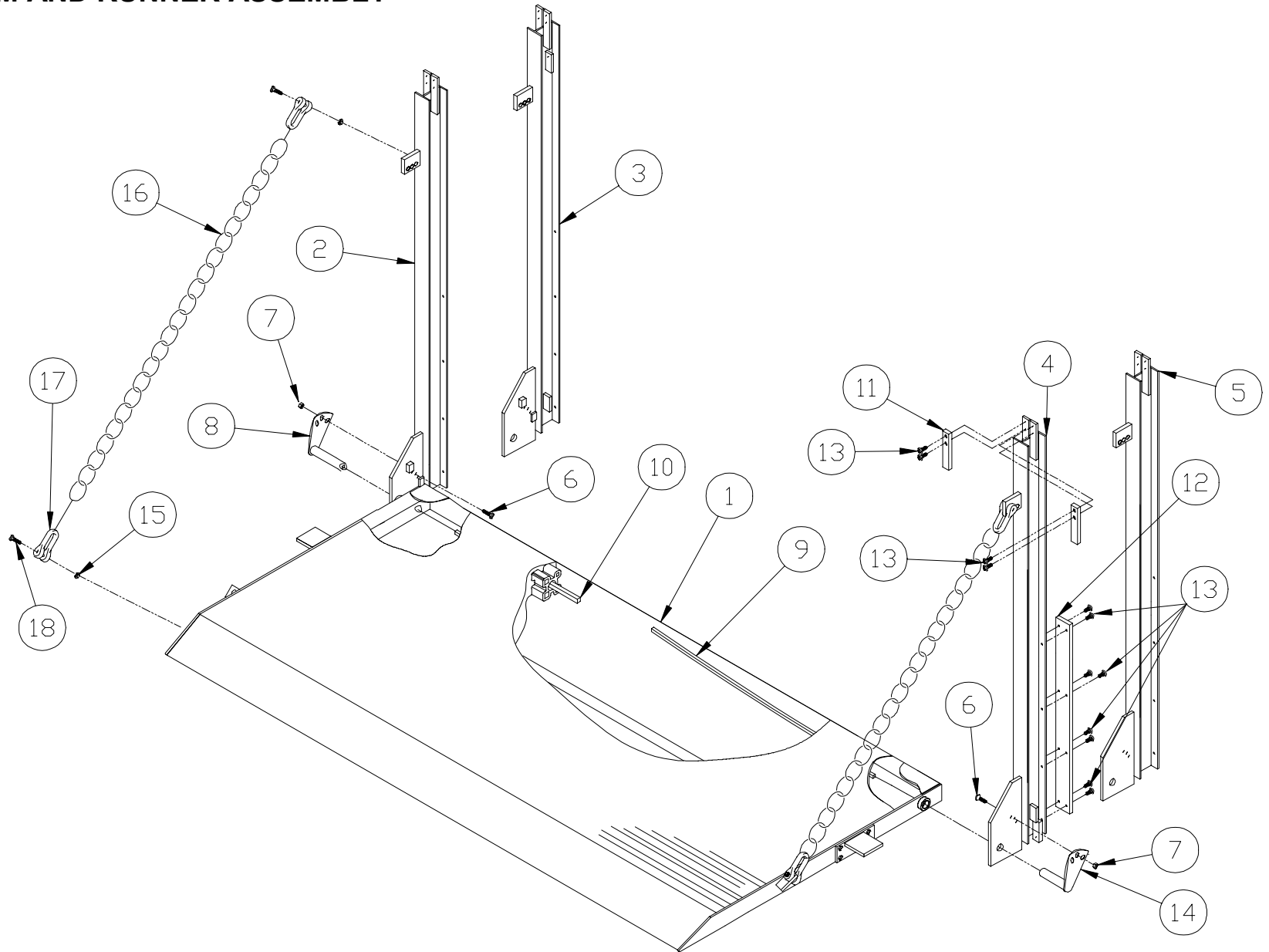
REVISED: 12/1/03  
 E.O. 5221  
 REV. 01

**PM-258E**

| ITEM | PART NUMBER | QTY | DESCRIPTION  |
|------|-------------|-----|--|
| 1    | 39511001    | 1   | 27-1/2" x 89-1/2" + 9" Deck Assembly               |
|      | 39511002    | 1   | 36-1/2" x 89-1/2" + 9" Deck Assembly               |
|      | 39511005    | 1   | 27-1/2" x 85-1/2" + 9" Deck Assembly               |
|      | 39511006    | 1   | 36-1/2" x 85-1/2" + 9" Deck Assembly               |
|      | 39511009    | 1   | 27-1/2" x 81-1/2" + 9" Deck Assembly               |
|      | 39511010    | 1   | 36-1/2" x 81-1/2" + 9" Deck Assembly               |
| 2    | 39035051    | 1   | Runner Assembly (Street Side)                      |
| 3    | 39135051    | 1   | Runner Assembly (Street Side), AF                  |
| 4    | 39035001    | 1   | Runner Assembly (Curb Side)                        |
| 5    | 39135001    | 1   | Runner Assembly (Curb Side), AF                    |
| 6    | 75086056    | 2   | 3/8"-16 x 1" Hex Bolt                              |
| 7    | 75085005    | 2   | 3/8"-16 Hex Nut, Serrated                          |
| 8    | 39512000    | 1   | 1/2" Hinge Pin Casting                             |
| 9    | 33570230    | 1   | Torsion Bar (36-1/2" Decks) (Curb Side)            |
|      | 33570200    | 1   | Torsion Bar (27-1/2" Decks) (Curb Side)            |
| 10   | 39035700    | 4   | Plastic Slide Bearing                              |
| 11   | 39035750    | 2   | Plastic Slide Bearing                              |
| 12   | 75086854    | 24  | 1/4"-20 x 5/8" Self Tapping Screw                  |
| 13   | 39512000    | 1   | 1/2" Hinge Pin Casting (36-1/2" Decks) (Curb Side) |
|      | 39012000    | 1   | 3/8" Hinge Pin Casting (27-1/2" Decks) (Curb Side) |
| 14   | 75085185    | 4   | 3/8" Nylon Locknut                                 |
| 15   | 39574211    | 2   | Support Chain                                      |
| 16   | 75089364    | 4   | Shackle  |
| 17   | 75086222    | 4   | 3/8"-16 x 1-3/4" Stainless Steel Bolt              |



# PLATFORM AND RUNNER ASSEMBLY



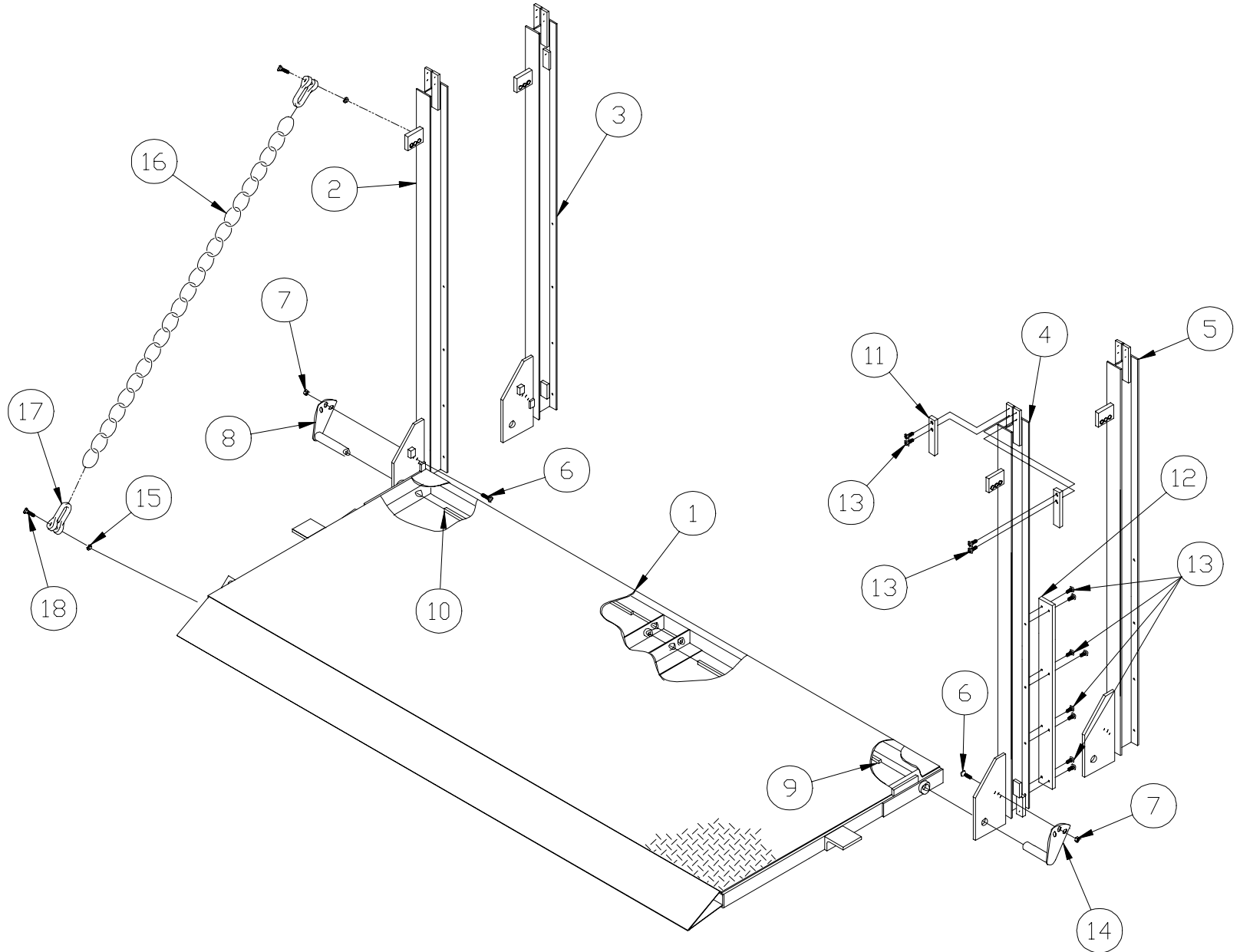
**WALTCO**  
**TRUCK EQUIPMENT CO.**  
**MDRRM-160, 160AF with**  
**ALUMINUM PLATFORM**

REVISED: 12/1/03  
 E.O. 5221  
 REV. 01

**PM-257E**

| ITEM | PART NUMBER | QTY | DESCRIPTION   |
|------|-------------|-----|---|
| 1    | 39511001    | 1   | 27-1/2" x 89-1/2" + 9" Deck Assembly                          |
|      | 39511002    | 1   | 36-1/2" x 89-1/2" + 9" Deck Assembly                          |
|      | 39511003    | 1   | 45-1/2" x 89-1/2" + 9" Deck Assembly                          |
|      | 39511004    | 1   | 54-1/2" x 89-1/2" + 9" Deck Assembly                          |
|      | 39511005    | 1   | 27-1/2" x 85-1/2" + 9" Deck Assembly                          |
|      | 39511006    | 1   | 36-1/2" x 85-1/2" + 9" Deck Assembly                          |
|      | 39511007    | 1   | 45-1/2" x 85-1/2" + 9" Deck Assembly                          |
|      | 39511008    | 1   | 54-1/2" x 85-1/2" + 9" Deck Assembly                          |
|      | 39511009    | 1   | 27-1/2" x 81-1/2" + 9" Deck Assembly                          |
|      | 39511010    | 1   | 36-1/2" x 81-1/2" + 9" Deck Assembly                          |
|      | 39511011    | 1   | 45-1/2" x 81-1/2" + 9" Deck Assembly                          |
|      | 39511012    | 1   | 54-1/2" x 81-1/2" + 9" Deck Assembly                          |
| 2    | 39035051    | 1   | Runner Assembly (Street Side)                                 |
| 3    | 39135051    | 1   | Runner Assembly (Street Side), AF                             |
| 4    | 39035001    | 1   | Runner Assembly (Curb Side)                                   |
| 5    | 39135001    | 1   | Runner Assembly (Curb Side), AF                               |
| 6    | 75086056    | 2   | 3/8"-16 x 1" Hex Bolt   |
| 7    | 75085005    | 2   | 3/8"-16 Hex Nut, Serrated                                     |
| 8    | 39012000    | 1   | 3/8" Hinge Pin Casting (45-1/2" Decks) (Street Side)          |
|      | 39512000    | 1   | 1/2" Hinge Pin Casting (36-1/2", 54-1/2" Decks) (Street Side) |
| 9    | 33570230    | 1   | Torsion Bar (36-1/2", 45-1/2", 54-1/2" Decks) (Curb Side)     |
|      | 33570200    | 1   | Torsion Bar (27-1/2" Decks) (Curb Side)                       |
| 10   | 33670200    | 1   | Torsion Bar (45-1/2" Decks) (Street Side)                     |
|      | 33570230    | 1   | Torsion Bar (54-1/2" Decks) (Street Side)                     |
| 11   | 39035700    | 4   | Plastic Slide Bearing   |
| 12   | 39035750    | 2   | Plastic Slide Bearing   |
| 13   | 75086854    | 24  | 1/4"-20 x 5/8" Self Tapping Screw                             |
| 14   | 39512000    | 1   | 1/2" Hinge Pin Casting (Curb Side)                            |
| 15   | 75085185    | 4   | 3/8" Nylon Locknut  |
| 16   | 39574211    | 2   | Support Chain (27-1/2" & 36-1/2" Decks)                       |
|      | 39574221    | 2   | Support Chain (45-1/2" & 54-1/2" Decks)                       |
| 17   | 75089364    | 4   | Shackle   |
| 18   | 75086222    | 4   | 3/8"-16 x 1-3/4" Stainless Steel Bolt                         |

# PLATFORM AND RUNNER ASSEMBLY



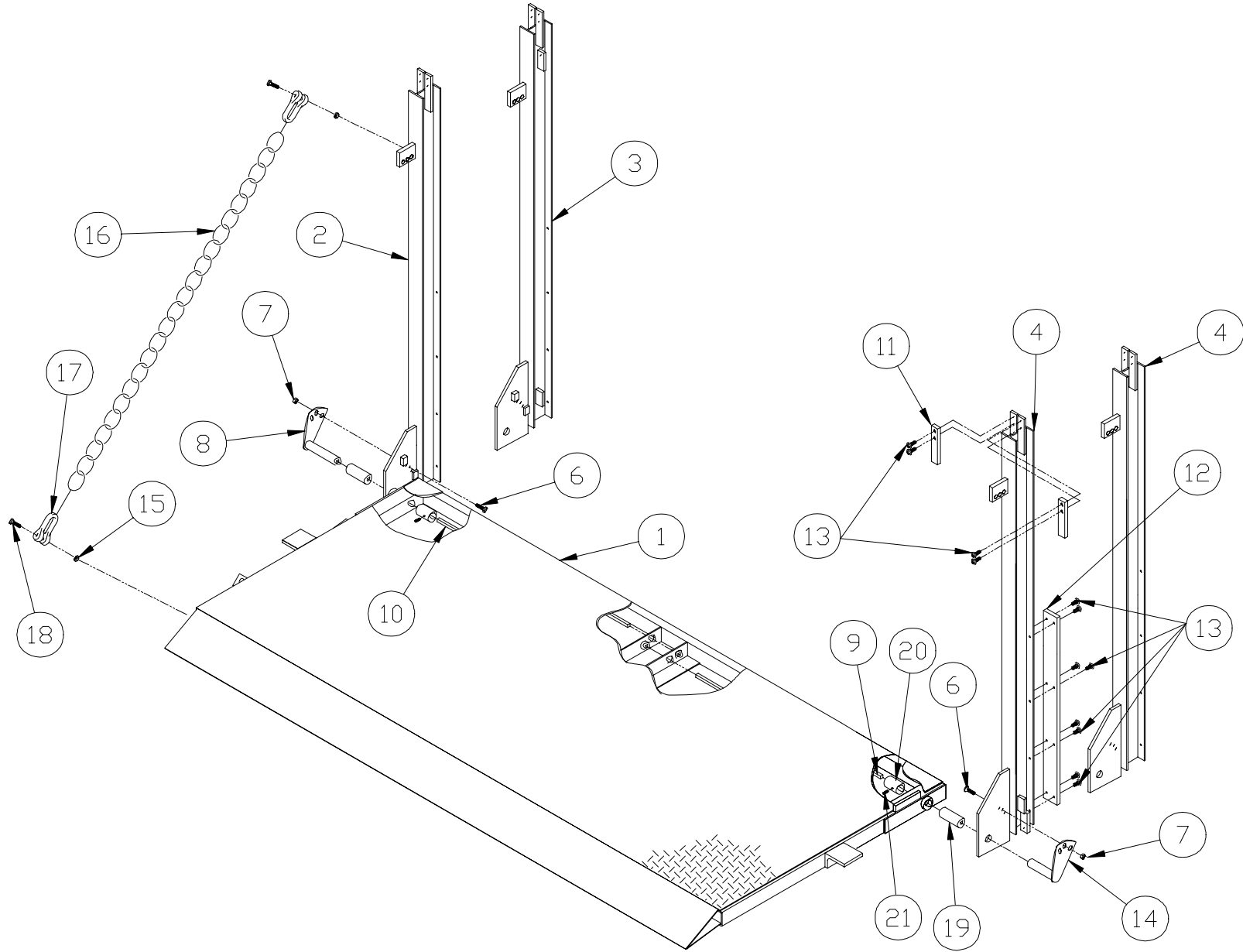
**WALTCO**  
**TRUCK EQUIPMENT CO.**  
**MDRRM-200, 200AF**

REVISED: 12/1/03  
 E.O. 5221  
 REV. 01

**PM-551C**

| ITEM | PART NUMBER | QTY | DESCRIPTION   |
|------|-------------|-----|---|
| 1    | 39511030    | 1   | 30" x 89" + 6" Deck Assembly  |
|      | 39511036    | 1   | 36" x 89" + 6" Deck Assembly  |
|      | 39511021    | 1   | 42" x 89" + 6" Deck Assembly  |
|      | 39511017    | 1   | 30" x 85" + 6" Deck Assembly  |
|      | 39511019    | 1   | 36" x 85" + 6" Deck Assembly  |
|      | 39511022    | 1   | 42" x 85" + 6" Deck Assembly  |
|      | 39511018    | 1   | 30" x 81" + 6" Deck Assembly  |
|      | 39511020    | 1   | 36" x 81" + 6" Deck Assembly  |
|      | 39511023    | 1   | 42" x 81" + 6" Deck Assembly  |
| 2    | 39730051    | 1   | Runner Assembly (Street Side)   |
| 3    | 39930051    | 1   | Runner Assembly (Street Side), AF   |
| 4    | 39730001    | 1   | Runner Assembly (Curb Side)   |
| 5    | 39930001    | 1   | Runner Assembly (Curb Side), AF   |
| 6    | 75086056    | 2   | 3/8"-16 x 1" Hex Bolt   |
|      | 75085005    | 2   | 3/8"-16 Hex Nut, Serrated   |
|      | 39012000    | 1   | 3/8" Hinge Pin Casting (Street Side)                                      |
| 9    | 33070200    | 1   | Torsion Bar (36" x 85" & 89" Decks)<br>(Curb Side)                        |
|      | 33570200    | 1   | Torsion Bar (36" x 81" Decks) (30" decks)<br>(Curb Side)                  |
|      | 33570230    | 1   | Torsion Bar (42" decks) (Curb Side)                                       |
| 10   | 33670200    | 1   | Torsion Bar (36" x 85" & 89" Decks)<br>(Street Side)                      |
|      | 33570200    | 1   | Torsion Bar (36" x 81" Decks)<br>(30" & 42" Decks) (Street Side)          |
| 11   | 39035700    | 4   | Plastic Slide Bearing   |
| 12   | 39035750    | 2   | Plastic Slide Bearing   |
| 13   | 75086854    | 24  | 1/4"-20 x 5/8" Self Tapping Screw   |
| 14   | 39012000    | 1   | 3/8" Hinge Pin Casting (36" x 81" Decks)<br>(30" Decks) (Curb Side)       |
|      | 39512000    | 1   | 1/2" Hinge Pin Casting (36" x 85" & 89"<br>Decks) (42" Decks) (Curb Side) |
| 15   | 75085185    | 2   | 3/8" Nylon Locknut (Optional)   |
| 16   | 39574201    | 1   | Support Chain (Optional)  |
| 17   | 75089364    | 2   | Shackle (Optional)  |
| 18   | 75086222    | 2   | 3/8"-16 x 1-3/4" Stainless Steel Bolt<br>(Optional)                       |

**PLATFORM ASSEMBLY**



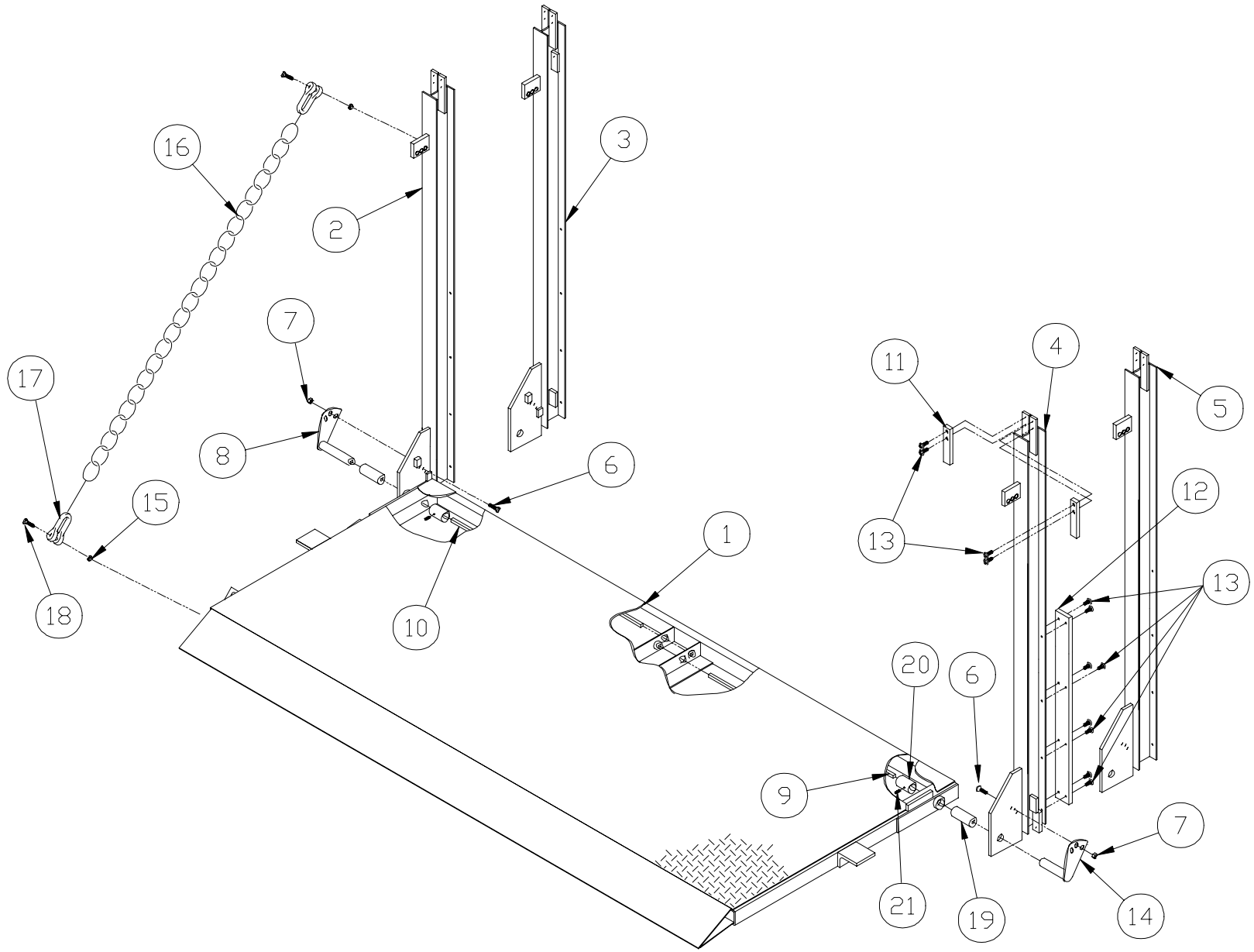
**WALTCO  
TRUCK EQUIPMENT CO.  
MDR – 125, 125AF**

REVISED: 1-10-03  
E.O. 4943  
REV. 05

**PM-235A**

| ITEM | PART NUMBER | QTY | DESCRIPTION   |
|------|-------------|-----|---|
| 1    | 39511030    | 1   | 30 x 89 + 6 Deck Assembly   |
|      | 39511036    |     | 36 x 89 + 6 Deck Assembly   |
|      | 39511021    |     | 42 x 89 + 6 Deck Assembly   |
|      | 39511017    |     | 30 x 85 + 6 Deck Assembly   |
|      | 39511019    |     | 36 x 85 + 6 Deck Assembly   |
|      | 39511022    |     | 42 x 85 + 6 Deck Assembly   |
|      | 39511018    |     | 30 x 81 + 6 Deck Assembly   |
|      | 39511020    |     | 36 x 81 + 6 Deck Assembly   |
|      | 39511023    |     | 42 x 81 + 6 Deck Assembly   |
|      | 2           |     | 39035051  |
| 3    | 39135051    | 1   | Runner Assembly (Driver's Side), AF   |
| 4    | 39035001    | 1   | Runner Assembly (Curb Side)   |
| 5    | 39135001    | 1   | Runner Assembly (Curb Side), AF   |
| 6    | 75086056    | 2   | 3/8"-16 x 1" Hex Bolt   |
|      | 75085005    |     | 3/8"-16 Hex Nut, Serrated   |
| 8    | 39012000    | 1   | 3/8" Hinge Pin Casting (Driver's Side)  |
| 9    | 33070200    | 1   | Torsion Bar (36" x 85" & 89" Decks)<br>(Curb Side)                            |
|      | 33570200    |     | Torsion Bar (36" x 81" Decks)(30" Decks)<br>(Curb Side)                       |
|      | 33570230    |     | Torsion Bar (42" Decks)<br>(Curb Side)  |
| 10   | 33670200    | 1   | Torsion Bar (36" x 85" & 89" Decks)<br>(Driver's Side)                        |
|      | 33570200    |     | Torsion Bar (36" x 81" Decks)(30" x 42"<br>Decks)(Driver's Side)              |
| 11   | 39035700    | 4   | Plastic Slide Bearing   |
| 12   | 39035750    | 2   | Plastic Slide Bearing   |
| 13   | 75086854    | 24  | 1/4"-20 x 5/8" Self Tapping Screw   |
| 14   | 39012000    | 1   | 3/8" Hinge Pin Casting (36" x 81"<br>Decks)(30" Decks)(Curb Side)             |
|      | 39512000    |     | 1/2" Hinge Pin Casting (36" x 85" &<br>36" x 89" Decks)(42" Decks)(Curb Side) |
| 15   | 75085185    | 2   | 3/8" Nylok Nut (Optional)   |
| 16   | 39574201    | 1   | Support Chain (Optional)  |
| 17   | 75089364    | 2   | Shackle (Optional)  |
| 18   | 75086222    | 2   | 3/8"-16 x 1-3/4" S.S. Bolt (Optional)   |
| 19   | 10010170    | 2   | Polygon Bearing, 1" ID x 1-1/4" OD  |
| 20   | 39512010    | 2   | Collar  |
| 21   | 75086869    | 2   | Set Screw, #10-32 x 5/8" lg.  |

**PLATFORM ASSEMBLY**



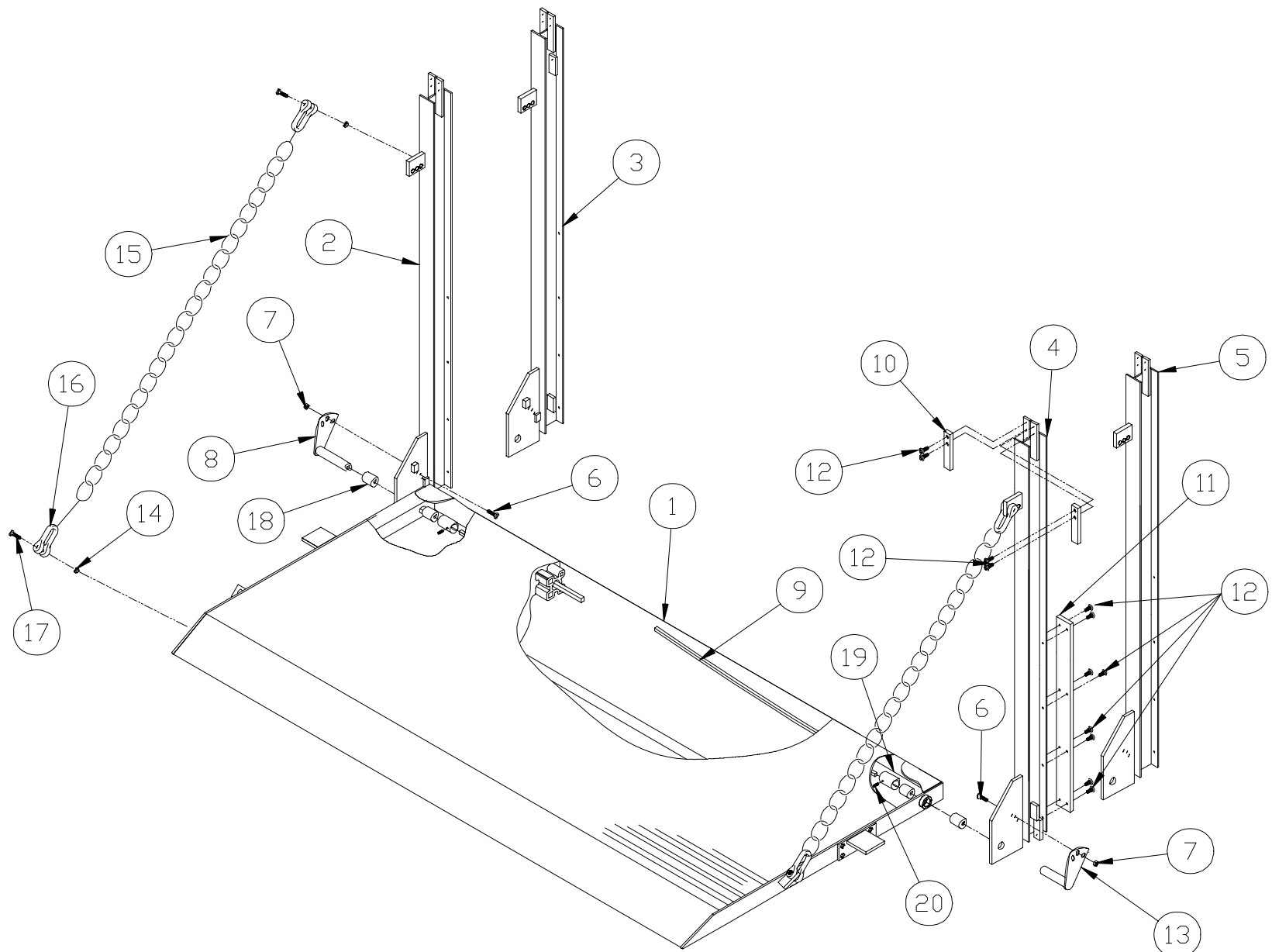
**WALTCO  
TRUCK EQUIPMENT CO.  
MDR – 160, 160AF**

REVISED: 1/10/03  
E.O. 4943  
REV. 06

**PM-237A**

| ITEM | PART NUMBER | QTY | DESCRIPTION   |
|------|-------------|-----|---|
| 1    | 39511030    | 1   | 30 x 89 + 6 Deck Assembly   |
|      | 39511036    |     | 36 x 89 + 6 Deck Assembly   |
|      | 39511021    |     | 42 x 89 + 6 Deck Assembly   |
|      | 39511017    |     | 30 x 85 + 6 Deck Assembly   |
|      | 39511019    |     | 36 x 85 + 6 Deck Assembly   |
|      | 39511022    |     | 42 x 85 + 6 Deck Assembly   |
|      | 39511018    |     | 30 x 81 + 6 Deck Assembly   |
|      | 39511020    |     | 36 x 81 + 6 Deck Assembly   |
|      | 39511023    |     | 42 x 81 + 6 Deck Assembly   |
|      | 2           |     | 39035051  |
| 3    | 39135051    | 1   | Runner Assembly (Driver's Side), 160AF  |
| 4    | 39035001    | 1   | Runner Assembly (Curb Side), 160  |
| 5    | 39135001    | 1   | Runner Assembly (Curb Side), 160AF  |
| 6    | 75086056    | 2   | 3/8"-16 x 1" Hex Head Screw   |
|      | 75085005    |     | 3/8"-16 Hex Nut, Serrated   |
|      | 39012000    |     | 3/8" Hinge Pin Casting (Driver's Side)  |
| 9    | 33070200    | 1   | Torsion Bar (36" x 85" & 89" Decks)<br>(Curb Side)                            |
|      | 33570200    |     | Torsion Bar (36" x 81" Decks)(30" Decks)<br>(Curb Side)                       |
|      | 33570230    |     | Torsion Bar (42" Decks)<br>(Curb Side)  |
| 10   | 33670200    | 1   | Torsion Bar (36" x 85" & 89" Decks)<br>(Driver's Side)                        |
|      | 33570200    |     | Torsion Bar (36" x 81" Decks)(30" x 42"<br>Decks)(Driver's Side)              |
| 11   | 39035700    | 4   | Plastic Slide Bearing   |
| 12   | 39035750    | 2   | Plastic Slide Bearing   |
| 13   | 75086854    | 24  | 1/4"-20 x 5/8" Self Tapping Screw   |
| 14   | 39012000    | 1   | 3/8" Hinge Pin Casting (36" x 81"<br>Decks)(30" Decks)(Curb Side)             |
|      | 39512000    |     | 1/2" Hinge Pin Casting (36" x 85" &<br>36" x 89" Decks)(42" Decks)(Curb Side) |
| 15   | 75085185    | 2   | 3/8" Nylok Nut (Optional)   |
| 16   | 39574201    | 1   | Support Chain (Optional)  |
| 17   | 75089364    | 2   | Shackle (Optional)  |
| 18   | 75086222    | 2   | 3/8"-16 x 1-3/4" S.S. Bolt (Optional)   |
| 19   | 10010170    | 2   | Polygon Bearing, 1" ID x 1-1/4" OD  |
| 20   | 39512010    | 2   | Collar  |
| 21   | 75086869    | 2   | Set Screw, #10-32 x 5/8" lg.  |

**PLATFORM ASSEMBLY**



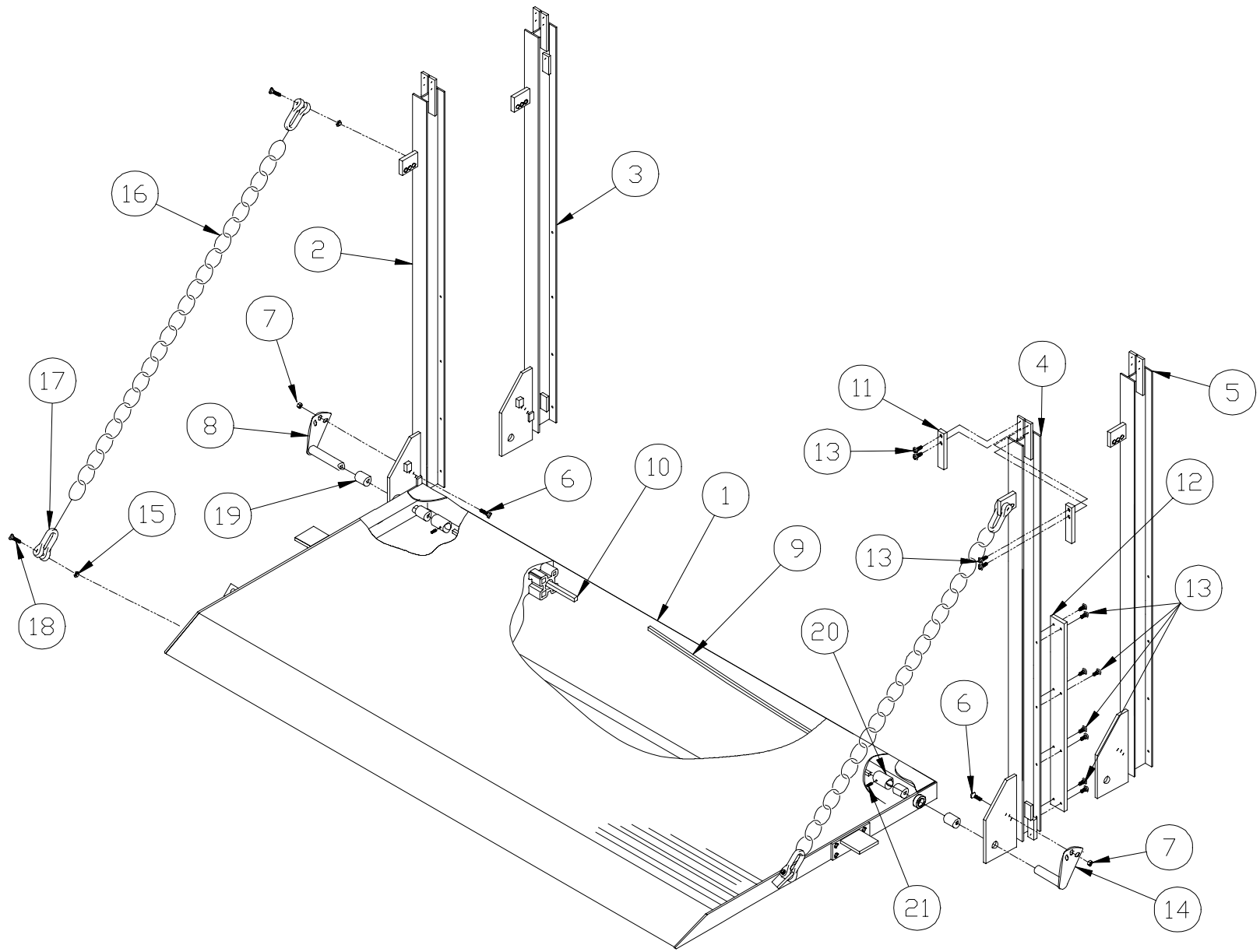
**WALTCO  
TRUCK EQUIPMENT CO.  
MDR – 125, 125AF ALUMINUM PLATFORM**

REVISED: 1/10/03  
E.O. 4943  
REV. 05

**PM-258A**

| ITEM | PART NUMBER | QTY | DESCRIPTION   |
|------|-------------|-----|---|
| 1    | 39511001    | 1   | 27-1/2" x 89-1/2" + 9" Deck Assembly                  |
|      | 39511002    |     | 36-1/2" x 89-1/2" + 9" Deck Assembly                  |
|      | 39511005    |     | 27-1/2" x 85-1/2" + 9" Deck Assembly                  |
|      | 39511006    |     | 36-1/2" x 85-1/2" + 9" Deck Assembly                  |
|      | 39511009    |     | 27-1/2" x 81-1/2" + 9" Deck Assembly                  |
|      | 39511010    |     | 36-1/2" x 81-1/2" + 9" Deck Assembly                  |
| 2    | 39035051    | 1   | Runner Assembly (Driver's Side)                       |
| 3    | 39135051    | 1   | Runner Assembly (Driver's Side), AF                   |
| 4    | 39035001    | 1   | Runner Assembly (Curb Side)                           |
| 5    | 39135001    | 1   | Runner Assembly (Curb Side), AF                       |
| 6    | 75086056    | 2   | 3/8"-16 x 1" Hex Head Screw                           |
| 7    | 75085005    | 2   | 3/8"-16 Hex Nut, Serrated                             |
| 8    | 39512000    | 1   | 1/2" Hinge Pin Casting                                |
| 9    | 33570230    | 1   | Torsion Bar (36-1/2" Decks) (Curb Side)               |
|      | 33570200    |     | Torsion Bar (27-1/2" Decks) (Curb Side)               |
| 10   | 39035700    | 4   | Plastic Slide Bearing                                 |
| 11   | 39035750    | 2   | Plastic Slide Bearing                                 |
| 12   | 75086854    | 24  | 1/4"-20 x 5/8" Self Tapping Screw                     |
| 13   | 39512000    | 1   | 1/2" Hinge Pin Casting (36-1/2" Decks)<br>(Curb Side) |
|      | 39012000    |     | 3/8" Hinge Pin Casting (27-1/2" Decks)<br>(Curb Side) |
| 14   | 75085185    | 4   | 3/8" Nylok Nut  |
| 15   | 39574211    | 2   | Support Chain   |
| 16   | 75089364    | 4   | Shackle   |
| 17   | 75086222    | 4   | 3/8"-16 x 1-3/4" Stainless Steel Bolt                 |
| 18   | 10010142    | 4   | Polygon Bearing, 1" ID x 1-1/4" OD                    |
| 19   | 39512010    | 2   | Collar  |
| 20   | 75086869    | 2   | Set Screw, #10-32 x 5/8" lg.                          |

**PLATFORM ASSEMBLY**



**WALTCO  
TRUCK EQUIPMENT CO.  
MDR – 160, 160AF ALUMINUM PLATFORM**

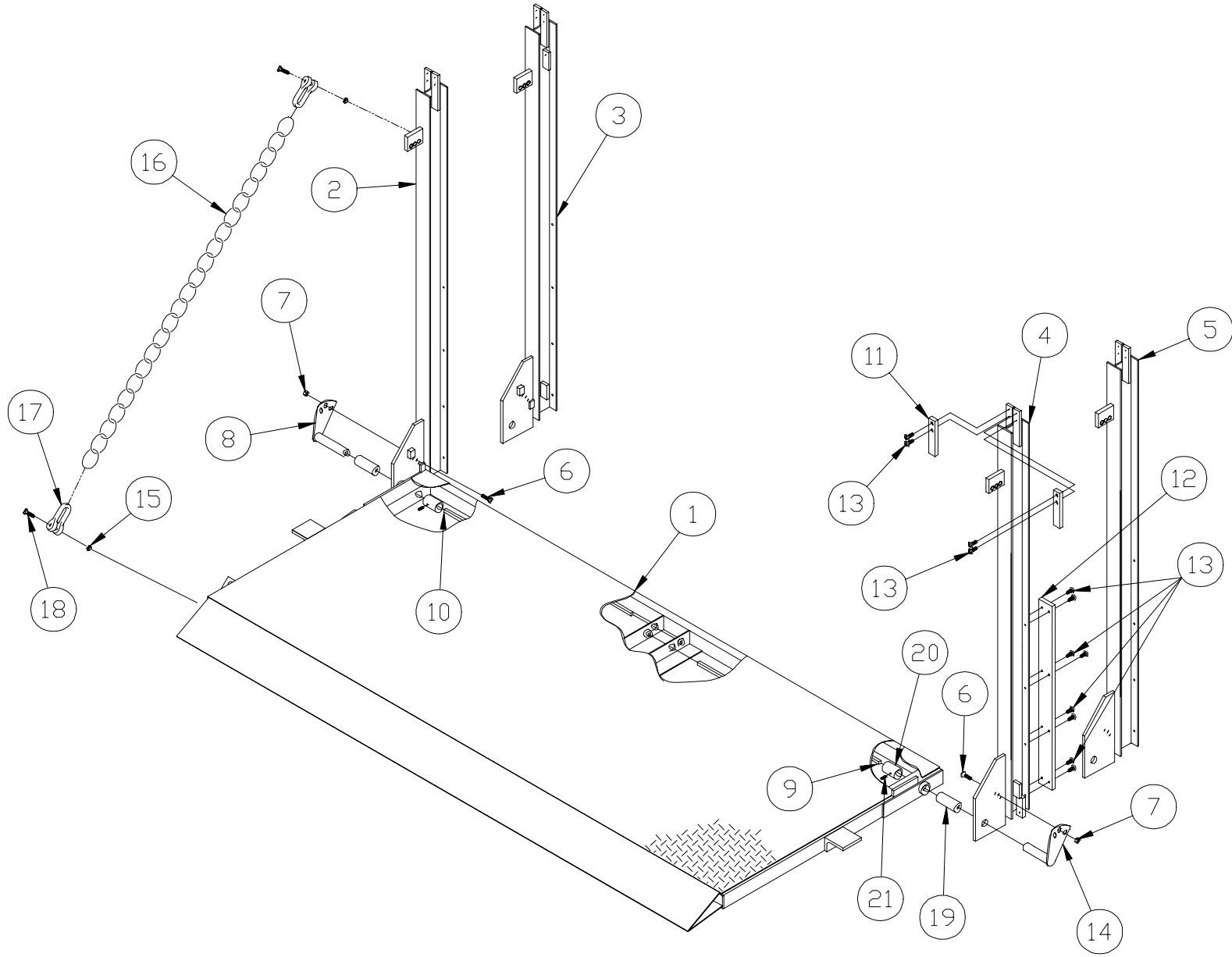
REVISED: 1/10/03  
E.O. 4943  
REV. 05

**PM-257A**

| ITEM | PART NUMBER | QTY | DESCRIPTION  |
|------|-------------|-----|--|
| 1    | 39511001    | 1   | 27-1/2" x 89-1/2" + 9" Deck Assembly                               |
|      | 39511002    |     | 36-1/2" x 89-1/2" + 9" Deck Assembly                               |
|      | 39511003    |     | 45-1/2" x 89-1/2" + 9" Deck Assembly                               |
|      | 39511004    |     | 54-1/2" x 89-1/2" + 9" Deck Assembly                               |
|      | 39511005    |     | 27-1/2" x 85-1/2" + 9" Deck Assembly                               |
|      | 39511006    |     | 36-1/2" x 85-1/2" + 9" Deck Assembly                               |
|      | 39511007    |     | 45-1/2" x 85-1/2" + 9" Deck Assembly                               |
|      | 39511008    |     | 54-1/2" x 85-1/2" + 9" Deck Assembly                               |
|      | 39511009    |     | 27-1/2" x 81-1/2" + 9" Deck Assembly                               |
|      | 39500010    |     | 36-1/2" x 81-1/2" + 9" Deck Assembly                               |
|      | 39511011    |     | 45-1/2" x 81-1/2" + 9" Deck Assembly                               |
|      | 39511012    |     | 54-1/2" x 81-1/2" + 9" Deck Assembly                               |
| 2    | 39035051    | 1   | Runner Assembly (Driver's Side), 160                               |
| 3    | 39135051    | 1   | Runner Assembly (Driver's Side), 160AF                             |
| 4    | 39035001    | 1   | Runner Assembly (Curb Side), 160                                   |
| 5    | 39135001    | 1   | Runner Assembly (Curb Side), 160AF                                 |
| 6    | 75086056    | 2   | 3/8"-16 x 1" Hex Head Screw  |
| 7    | 75085005    | 2   | 3/8"-16 Hex Nut, Serrated  |
| 8    | 39012000    | 1   | 3/8" Hinge Pin Casting (45-1/2" Decks)<br>(Driver's Side)          |
|      | 39512000    |     | 1/2" Hinge Pin Casting<br>(36-1/2", 54-1/2" Decks) (Driver's Side) |
| 9    | 33570230    | 1   | Torsion Bar (36-1/2", 45-1/2", & 54-1/2"<br>Decks) (Curb Side)     |
|      | 33570200    |     | Torsion Bar (27-1/2" Decks) (Curb Side)                            |
| 10   | 33670200    | 1   | Torsion Bar (45-1/2" Decks)<br>(Driver's Side)                     |
|      | 33570230    |     | Torsion Bar (54-1/2" Decks)<br>(Driver's Side)                     |
| 11   | 39035700    | 4   | Plastic Slide Bearing  |
| 12   | 39035750    | 2   | Plastic Slide Bearing  |
| 13   | 75086854    | 24  | 1/4"-20 x 5/8" Self Tapping Screw                                  |
| 14   | 39512000    | 1   | 1/2" Hinge Pin Casting (Curb Side)                                 |
| 15   | 75085185    | 4   | 3/8" Nylok Nut   |
| 16   | 39574211    | 2   | Support Chain (27-1/2" & 36-1/2" Decks)                            |
| 16   | 39574221    | 2   | Support Chain (45-1/2" & 54-1/2" Decks)                            |
| 17   | 75089364    | 4   | Shackle  |
| 18   | 75086222    | 4   | 3/8"-16 x 1-3/4" S.S. Bolt   |
| 19   | 10010142    | 4   | Polygon Bearing, 1" ID x 1-1/4" OD                                 |
| 20   | 39512010    | 2   | Collar   |

| ITEM | PART NUMBER | QTY | DESCRIPTION                  |
|------|-------------|-----|------------------------------|
| 21   | 75086869    | 2   | Set Screw, #10-32 x 5/8" lg. |

**PLATFORM ASSEMBLY**



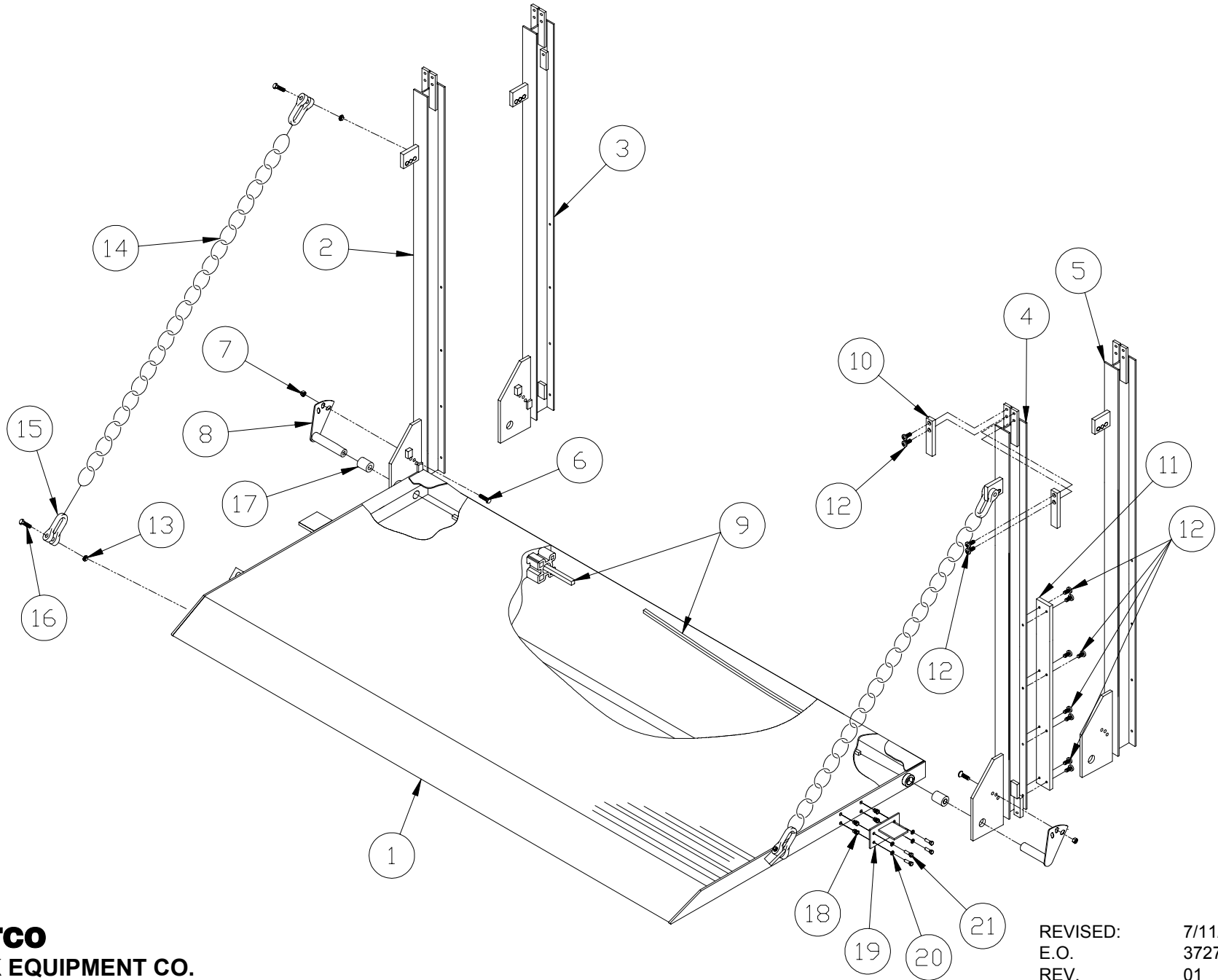
**WALTCO  
TRUCK EQUIPMENT CO.  
MDR- 200, 200AF**

REVISED: 1/10/03  
E.O. 4943  
REV. 04

**PM-551**

| ITEM | PART NUMBER | QTY | DESCRIPTION   |
|------|-------------|-----|---|
| 1    | 39511030    | 1   | 30 x 89 + 6 Deck Assembly   |
|      | 39511036    |     | 36 x 89 + 6 Deck Assembly   |
|      | 39511021    |     | 42 x 89 + 6 Deck Assembly   |
|      | 39511017    |     | 30 x 85 + 6 Deck Assembly   |
|      | 39511019    |     | 36 x 85 + 6 Deck Assembly   |
|      | 39511022    |     | 42 x 85 + 6 Deck Assembly   |
|      | 39511018    |     | 30 x 81 + 6 Deck Assembly   |
|      | 39511020    |     | 36 x 81 + 6 Deck Assembly   |
|      | 39511023    |     | 42 x 81 + 6 Deck Assembly   |
|      | 2           |     | 39730051  |
| 3    | 39930051    | 1   | Runner Assembly (Driver's Side), 200AF  |
| 4    | 39730001    | 1   | Runner Assembly (Curb Side), 200  |
| 5    | 39930001    | 1   | Runner Assembly (Curb Side), 200AF  |
| 6    | 75086056    | 2   | 3/8"-16 x 1" Hex Head Screw   |
|      | 75085005    |     | 3/8"-16 Hex Nut, Serrated   |
|      | 39012000    |     | 3/8" Hinge Pin Casting (Driver's Side)  |
| 9    | 33070200    | 1   | Torsion Bar (36" x 85" & 89" Decks)<br>(Curb Side)                            |
|      | 33570200    |     | Torsion Bar (36" x 81" Decks)(30" Decks)<br>(Curb Side)                       |
|      | 33570230    |     | Torsion Bar (42" Decks)<br>(Curb Side)  |
| 10   | 33670200    | 1   | Torsion Bar (36" x 85" & 89" Decks)<br>(Driver's Side)                        |
|      | 33570200    |     | Torsion Bar (36" x 81" Decks)(30" x 42"<br>Decks)(Driver's Side)              |
| 11   | 39035700    | 4   | Plastic Slide Bearing   |
| 12   | 39035750    | 2   | Plastic Slide Bearing   |
| 13   | 75086854    | 24  | 1/4"-20 x 5/8" Self Tapping Screw   |
| 14   | 39012000    | 1   | 3/8" Hinge Pin Casting (36" x 81"<br>Decks)(30" Decks)(Curb Side)             |
|      | 39512000    |     | 1/2" Hinge Pin Casting (36" x 85" &<br>36" x 89" Decks)(42" Decks)(Curb Side) |
| 15   | 75085185    | 2   | 3/8" Nylok Nut (Optional)   |
| 16   | 39574201    | 1   | Support Chain (Optional)  |
| 17   | 75089364    | 2   | Shackle (Optional)  |
| 18   | 75086222    | 2   | 3/8"-16 x 1-3/4" S.S. Bolt (Optional)   |
| 19   | 10010170    | 2   | Polygon Bearing, 1" ID x 1-1/4" OD  |
| 20   | 39512010    | 2   | Collar  |
| 21   | 75086869    | 2   | Set Screw, #10-32 x 5/8" lg.  |

# PLATFORM AND RUNNER ASSEMBLY



**WALTCO**  
**TRUCK EQUIPMENT CO.**  
**MDR – 160, 160AF ALUMINUM PLATFORM**

REVISED: 7/11/03  
 E.O. 3727R  
 REV. 01

**PM-257F**

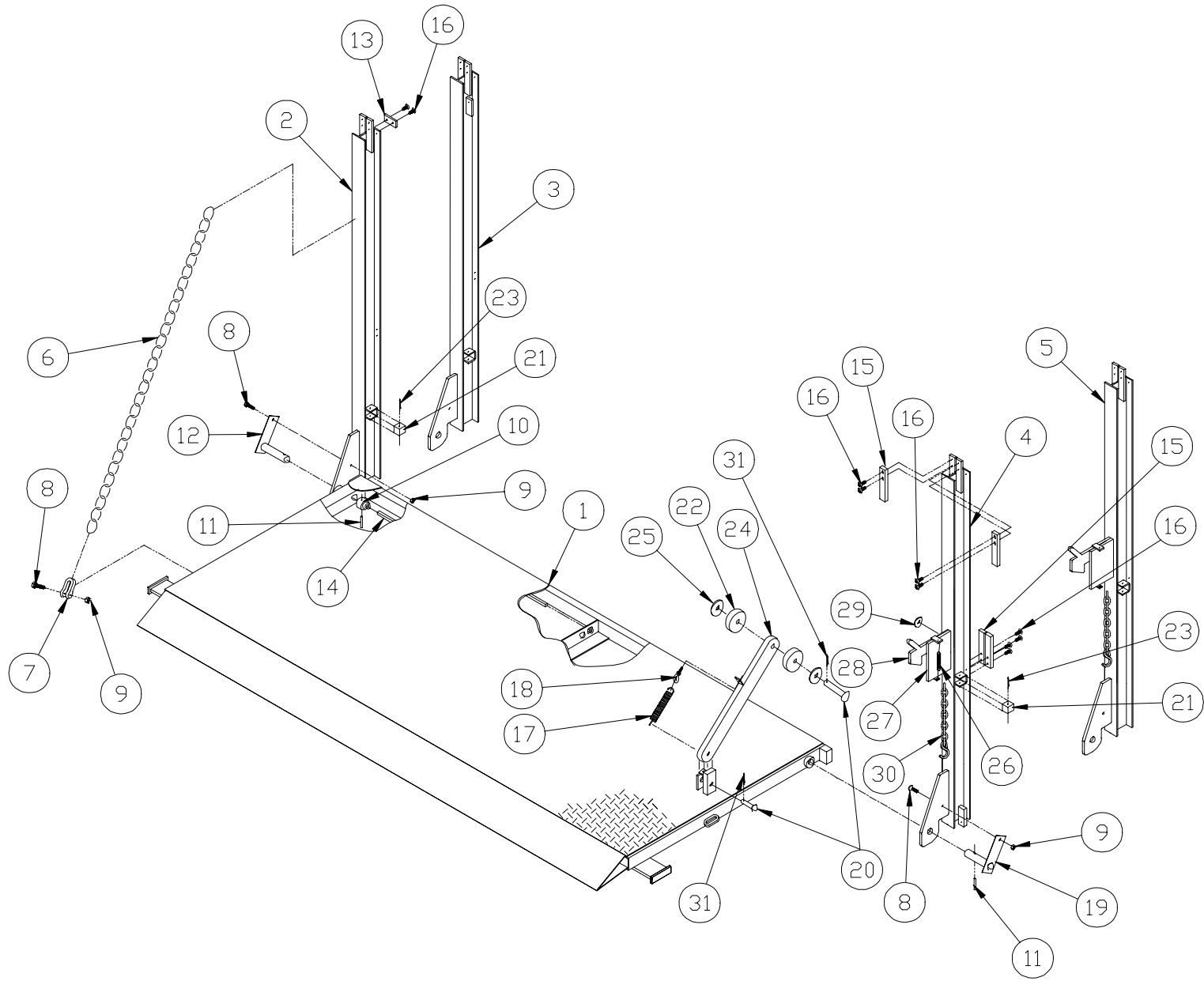
| ITEM | PART NUMBER | QTY | DESCRIPTION  |   |
|------|-------------|-----|--|---|
| 1    | 39511090    | 1   | 27-1/2" x 89-1/2" + 9" Deck Assembly <sup>A</sup>  |   |
|      | 39511091    |     | 36-1/2" x 89-1/2" + 9" Deck Assembly <sup>B</sup>  |   |
|      | 39511092    |     | 45-1/2" x 89-1/2" + 9" Deck Assembly <sup>C</sup>  |   |
|      | 39511093    |     | 54-1/2" x 89-1/2" + 9" Deck Assembly <sup>D</sup>  |   |
|      | 39511080    |     | 27-1/2" x 85-1/2" + 9" Deck Assembly <sup>E</sup>  |   |
|      | 39511081    |     | 36-1/2" x 85-1/2" + 9" Deck Assembly <sup>F</sup>  |   |
|      | 39511082    |     | 45-1/2" x 85-1/2" + 9" Deck Assembly <sup>G</sup>  |   |
|      | 39511083    |     | 54-1/2" x 85-1/2" + 9" Deck Assembly <sup>H</sup>  |   |
|      | 39511070    |     | 27-1/2" x 81-1/2" + 9" Deck Assembly <sup>I</sup>  |   |
|      | 39500071    |     | 36-1/2" x 81-1/2" + 9" Deck Assembly <sup>J</sup>  |   |
|      | 39511072    |     | 45-1/2" x 81-1/2" + 9" Deck Assembly <sup>K</sup>  |   |
|      | 39511073    |     | 54-1/2" x 81-1/2" + 9" Deck Assembly <sup>L</sup>  |   |
| 2    | 39035051    | 1   | Runner Assembly (Driver's Side)  |   |
| 3    | 39135051    | 1   | Runner Assembly (Driver's Side), AF  |   |
| 4    | 39035001    | 1   | Runner Assembly (Curb Side)  |   |
| 5    | 39135001    | 1   | Runner Assembly (Curb Side), AF  |   |
| 6    | 75086056    | 2   | 3/8"-16 x 1" Hex Head Screw  |   |
| 7    | 75085005    | 2   | 3/8"-16 Hex Nut, Serrated  |   |
|      |             |     | 3/8" Hinge Pin Casting<br>(27-1/2" Deep – Driver Side)   |   |
|      |             |     | 3/8" Hinge Pin Casting<br>(45-1/2" Deep – Curb Side)   |   |
|      |             |     | 1/2" Hinge Pin Casting<br>(27-1/2" Deep – Curb Side)<br>(36-1/2" Deep – Curb Side & Driver Side)<br>(45-1/2" Deep – Driver Side)<br>(54-1/2" Deep – Curb Side & Driver Side) |   |
| 9    | 33570230    | 1   | Torsion Bar<br>(36-1/2" Deep – Driver Side)<br>(45-1/2" Deep – Driver Side)<br>(54-1/2" Deep – Curb Side & Driver Side)  |   |
|      |             |     | 33570200   | Torsion Bar<br>(27-1/2" Deep – Driver Side) |
|      |             |     | 33670200   | Torsion Bar<br>(45-1/2" Deep – Curb Side)   |
| 10   | 39035700    | 4   | Plastic Slide Bearing  |   |
| 11   | 39035750    | 2   | Plastic Slide Bearing  |   |
| 12   | 75086854    | 24  | 1/4"-20 x 5/8" Self Tapping Screw  |   |
| 13   | 75085185    | 4   | 3/8" Nylok Nut   |   |
| 14   | 39574211    | 2   | Support Chain (27-1/2" & 36-1/2" Deep)   |   |
|      | 39574221    |     | Support Chain (45-1/2" & 54-1/2" Deep)   |   |

| ITEM | PART NUMBER           | QTY | DESCRIPTION                         |
|------|-----------------------|-----|-------------------------------------|
| 15   | 75089364              | 4   | Shackle                             |
| 16   | 75086222              | 4   | 3/8"-16 x 1-3/4" S.S. Bolt          |
| 17   | 10010172 <sup>M</sup> | 2   | Polygon Bearing, 1" ID x 1-3/4" OD  |
| 18   | 75099249 <sup>M</sup> | 8   | 3/8"-16 Threaded Insert             |
| 19   | 39511560 <sup>M</sup> | 2   | Platform Retainer Assembly          |
| 20   | 75088254 <sup>M</sup> | 8   | 3/8" S.S. Lock Washer               |
| 21   | 75087479 <sup>M</sup> | 8   | 3/8"-16 x 1-1/4" Lg. S.S. Hex Screw |

<sup>A & M</sup> Included in Platform Assembly 39510090  
<sup>B & M</sup> Included in Platform Assembly 39510091  
<sup>C & M</sup> Included in Platform Assembly 39510092  
<sup>D & M</sup> Included in Platform Assembly 39510093  
<sup>E & M</sup> Included in Platform Assembly 39510080  
<sup>F & M</sup> Included in Platform Assembly 39510081  
<sup>G & M</sup> Included in Platform Assembly 39510082  
<sup>H & M</sup> Included in Platform Assembly 39510083  
<sup>I & M</sup> Included in Platform Assembly 39510070  
<sup>J & M</sup> Included in Platform Assembly 39510071  
<sup>K & M</sup> Included in Platform Assembly 39510072  
<sup>L & M</sup> Included in Platform Assembly 39510073



# PLATFORM AND RUNNER ASSEMBLY



WALTCO  
TRUCK EQUIPMENT CO.  
MDR-125C, 125AFC

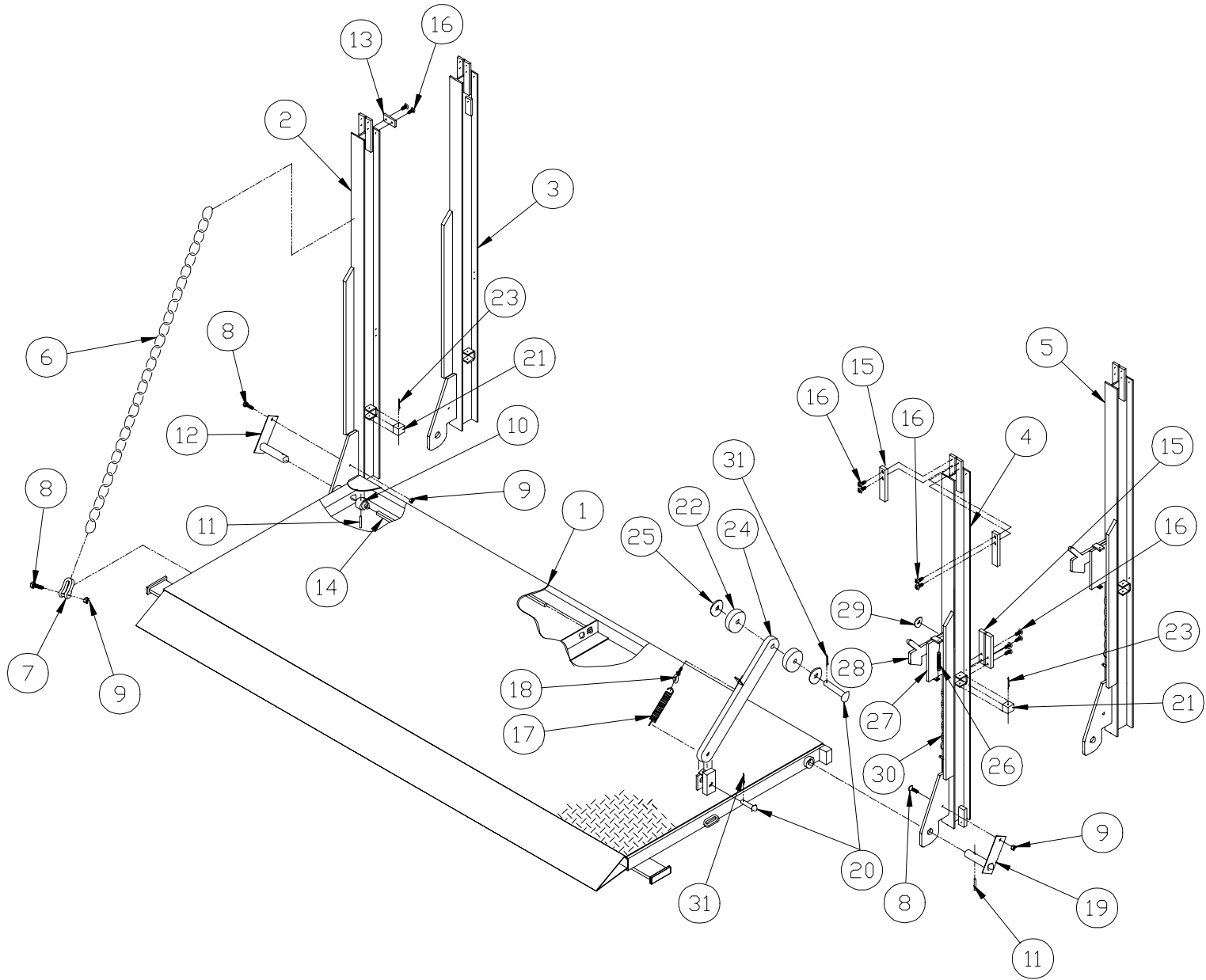
REVISED: 8-28-98  
E.O. 3619  
REV. 02

PM-465

| ITEM | PART NUMBER | QTY | DESCRIPTION                            |
|------|-------------|-----|--|
| 1    | 33511041    | 1   | 30" x 90" + 6" Deck Assy               |
|      | 33611041    | 1   | 30" x 90" + 6" Deck Assy (Above Floor) |
|      | 33511042    | 1   | 36" x 90" + 6" Deck Assy               |
|      | 33611042    | 1   | 36" x 90" + 6" Deck Assy (Above Floor) |
|      | 33511043    | 1   | 42" x 90" + 6" Deck Assy               |
|      | 33611043    | 1   | 42" x 90" + 6" Deck Assy (Above Floor) |
|      | 33511044    | 1   | 30" x 86" + 6" Deck Assy               |
|      | 33611044    | 1   | 30" x 86" + 6" Deck Assy (Above Floor) |
|      | 33511045    | 1   | 36" x 86" + 6" Deck Assy               |
|      | 33611045    | 1   | 36" x 86" + 6" Deck Assy (Above Floor) |
|      | 33511046    | 1   | 42" x 86" + 6" Deck Assy               |
|      | 33611046    | 1   | 42" x 86" + 6" Deck Assy (Above Floor) |
|      | 33511047    | 1   | 30" x 82" + 6" Deck Assy               |
|      | 33611047    | 1   | 30" x 82" + 6" Deck Assy (Above Floor) |
|      | 33511048    | 1   | 36" x 82" + 6" Deck Assy               |
|      | 33611048    | 1   | 36" x 82" + 6" Deck Assy (Above Floor) |
|      | 33511049    | 1   | 42" x 82" + 6" Deck Assy               |
|      | 33611049    | 1   | 42" x 82" + 6" Deck Assy (Above Floor) |
| 2    | 33035052    | 1   | Runner Assembly (Street Side)          |
| 3    | 33135052    | 1   | Runner Assembly (Street Side), AF      |
| 4    | 33035002    | 1   | Runner Assembly (Curb Side)            |
| 5    | 33135002    | 1   | Runner Assembly (Curb Side), AF        |
| 6    | 33574200    | 1   | Support Chain for 36" & 42" Decks      |
| 7    | 75089364    | 1   | Shackle                                |
| 8    | 75086058    | 2   | 3/8"-16 x 1-1/2" Hex Head Screw        |
| 9    | 75085005    | 3   | 3/8"-16 Hex Nut, Serrated              |
| 10   | 33570550    | 1   | Torsion Bar Anchor Assy (30" Decks)    |
|      | 33570500    | 1   | Torsion Bar Anchor Assy (36" Decks)    |
|      | 33070500    | 1   | Torsion Bar Anchor Assy (42" Decks)    |
| 11   | 75089539    | 2   | 1/2" Coiled Pin                        |
| 12   | 33012055    | 1   | Hinge Pin Assy, Street Side            |
| 13   | 34427307    | 2   | Polymer Slide Bearing                  |
|      | 33570220    | 1   | Torsion Bar (30" Decks)                |
|      | 33570200    | 1   | Torsion Bar (36" Decks)                |
| 14   | 35270201    | 1   | Torsion Bar (42" Decks)                |
|      | 33035700    | 8   | Polymer Slide Bearing                  |
|      | 75086854    | 20  | 1/4"-20 x 5/8" Self Tapping Screw      |
| 17   | 75089755    | 1   | Cam Release Spring                     |
| 18   | 75080102    | 1   | 5/16"-18 x 3-1/2" Eye Bolt             |
| 19   | 33012000    | 1   | Hinge Pin Assy, Curb Side              |

| ITEM | PART NUMBER | QTY | DESCRIPTION                    |
|------|-------------|-----|--------------------------------|
| 20   | 33540200    | 2   | Pin                            |
| 21   | 33038810    | 4   | Polymer Block                  |
| 22   | 34036701    | 2   | Polymer Roller                 |
| 23   | 75084055    | 4   | 5/32" Dia. x 2-1/2" Cotter Pin |
| 24   | 33540500    | 1   | Cam Follower                   |
| 25   | 75088064    | 2   | Washer                         |
| 26   | 75089752    | 1   | Latch Spring                   |
| 27   | 33529001    | 1   | Latch Assembly                 |
| 28   | 33529715    | 1   | Latch                          |
| 29   | 75088062    | 1   | Washer                         |
| 30   | 33593100    | 1   | Latch Chain Assembly           |
| 31   | 75084052    | 2   | 5/32" Dia. x 1" Cotter Pin     |

# PLATFORM AND RUNNER ASSEMBLY



WALTCO  
TRUCK EQUIPMENT CO.  
MDR-160C, 160AFC

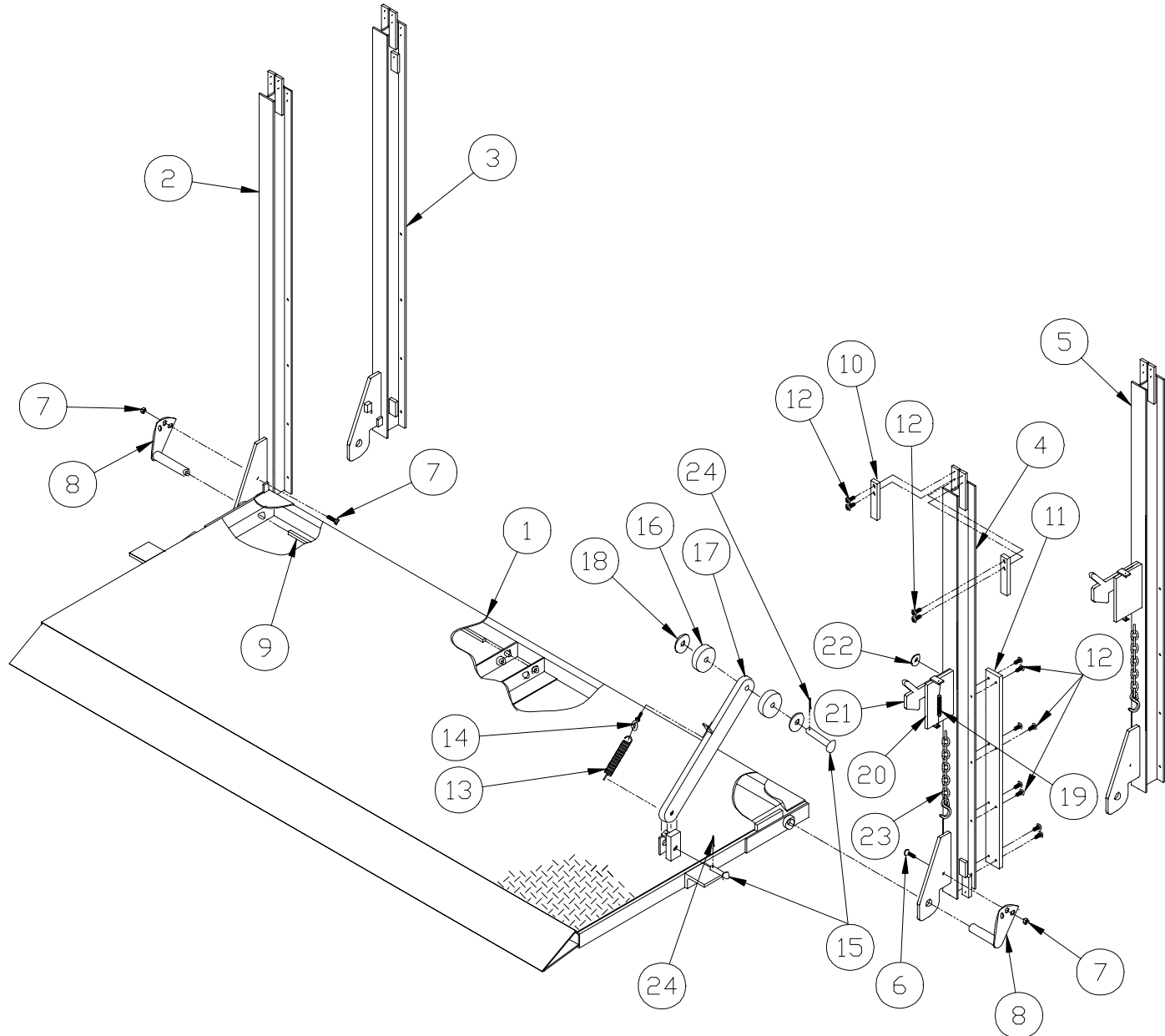
REVISED: 8-28-98  
E.O. 3619  
REV. 02

PM-466

| ITEM     | PART NUMBER | QTY                                    | DESCRIPTION                            |
|----------|-------------|--|--|
| 1        | 33511041    | 1                                      | 30" x 90" + 6" Deck Assy               |
|          | 33611041    | 1                                      | 30" x 90" + 6" Deck Assy (Above Floor) |
|          | 33511042    | 1                                      | 36" x 90" + 6" Deck Assy               |
|          | 33611042    | 1                                      | 36" x 90" + 6" Deck Assy (Above Floor) |
|          | 33511043    | 1                                      | 42" x 90" + 6" Deck Assy               |
|          | 33611043    | 1                                      | 42" x 90" + 6" Deck Assy (Above Floor) |
|          | 33511044    | 1                                      | 30" x 86" + 6" Deck Assy               |
|          | 33611044    | 1                                      | 30" x 86" + 6" Deck Assy (Above Floor) |
|          | 33511045    | 1                                      | 36" x 86" + 6" Deck Assy               |
|          | 33611045    | 1                                      | 36" x 86" + 6" Deck Assy (Above Floor) |
|          | 33511046    | 1                                      | 42" x 86" + 6" Deck Assy               |
|          | 33611046    | 1                                      | 42" x 86" + 6" Deck Assy (Above Floor) |
|          | 33511047    | 1                                      | 30" x 82" + 6" Deck Assy               |
|          | 33611047    | 1                                      | 30" x 82" + 6" Deck Assy (Above Floor) |
|          | 33511048    | 1                                      | 36" x 82" + 6" Deck Assy               |
|          | 33611048    | 1                                      | 36" x 82" + 6" Deck Assy (Above Floor) |
| 33511049 | 1           | 42" x 82" + 6" Deck Assy               |  |
| 33611049 | 1           | 42" x 82" + 6" Deck Assy (Above Floor) |  |
| 2        | 33535052    | 1                                      | Runner Assembly (Street Side)          |
| 3        | 33635052    | 1                                      | Runner Assembly (Street Side), AF      |
| 4        | 33535002    | 1                                      | Runner Assembly (Curb Side)            |
| 5        | 33635002    | 1                                      | Runner Assembly (Curb Side), AF        |
| 6        | 33574200    | 1                                      | Support Chain for 36" & 42" Decks      |
| 7        | 75089364    | 1                                      | Shackle                                |
| 8        | 75086058    | 2                                      | 3/8"-16 x 1-1/2" Hex Head Screw        |
| 9        | 75085005    | 3                                      | 3/8"-16 Hex Nut, Serrated              |
| 10       | 33570550    | 1                                      | Torsion Bar Anchor Assy (30" Decks)    |
|          | 33570500    | 1                                      | Torsion Bar Anchor Assy (36" Decks)    |
|          | 33070500    | 1                                      | Torsion Bar Anchor Assy (42" Decks)    |
| 11       | 75089539    | 2                                      | 1/2" Coiled Pin                        |
| 12       | 33012055    | 1                                      | Hinge Pin Assy, Street Side            |
| 13       | 34427307    | 2                                      | Polymer Slide Bearing                  |
|          | 33570220    | 1                                      | Torsion Bar (30" Decks)                |
|          | 33570200    | 1                                      | Torsion Bar (36" Decks)                |
| 14       | 35270201    | 1                                      | Torsion Bar (42" Decks)                |
|          | 33035700    | 8                                      | Polymer Slide Bearing                  |
|          | 75086854    | 20                                     | 1/4"-20 x 5/8" Self Tapping Screw      |
| 17       | 75089755    | 1                                      | Cam Release Spring                     |
| 18       | 75080102    | 1                                      | 5/16"-18 x 3-1/2" Eye Bolt             |
| 19       | 33012000    | 1                                      | Hinge Pin Assy, Curb Side              |

| ITEM | PART NUMBER | QTY | DESCRIPTION                    |
|------|-------------|-----|--------------------------------|
| 20   | 33540200    | 2   | Pin                            |
| 21   | 33038810    | 4   | Polymer Block                  |
| 22   | 34036701    | 2   | Polymer Roller                 |
| 23   | 75084055    | 4   | 5/32" Dia. x 2-1/2" Cotter Pin |
| 24   | 33540500    | 1   | Cam Follower                   |
| 25   | 75088064    | 2   | Washer                         |
| 26   | 75089752    | 1   | Latch Spring                   |
| 27   | 33529001    | 1   | Latch Assembly                 |
| 28   | 33529715    | 1   | Latch                          |
| 29   | 75088062    | 1   | Washer                         |
| 30   | 33593100    | 1   | Latch Chain Assembly           |
| 31   | 75084052    | 2   | 5/32" Dia. x 1" Cotter Pin     |

# PLATFORM AND RUNNER ASSEMBLY



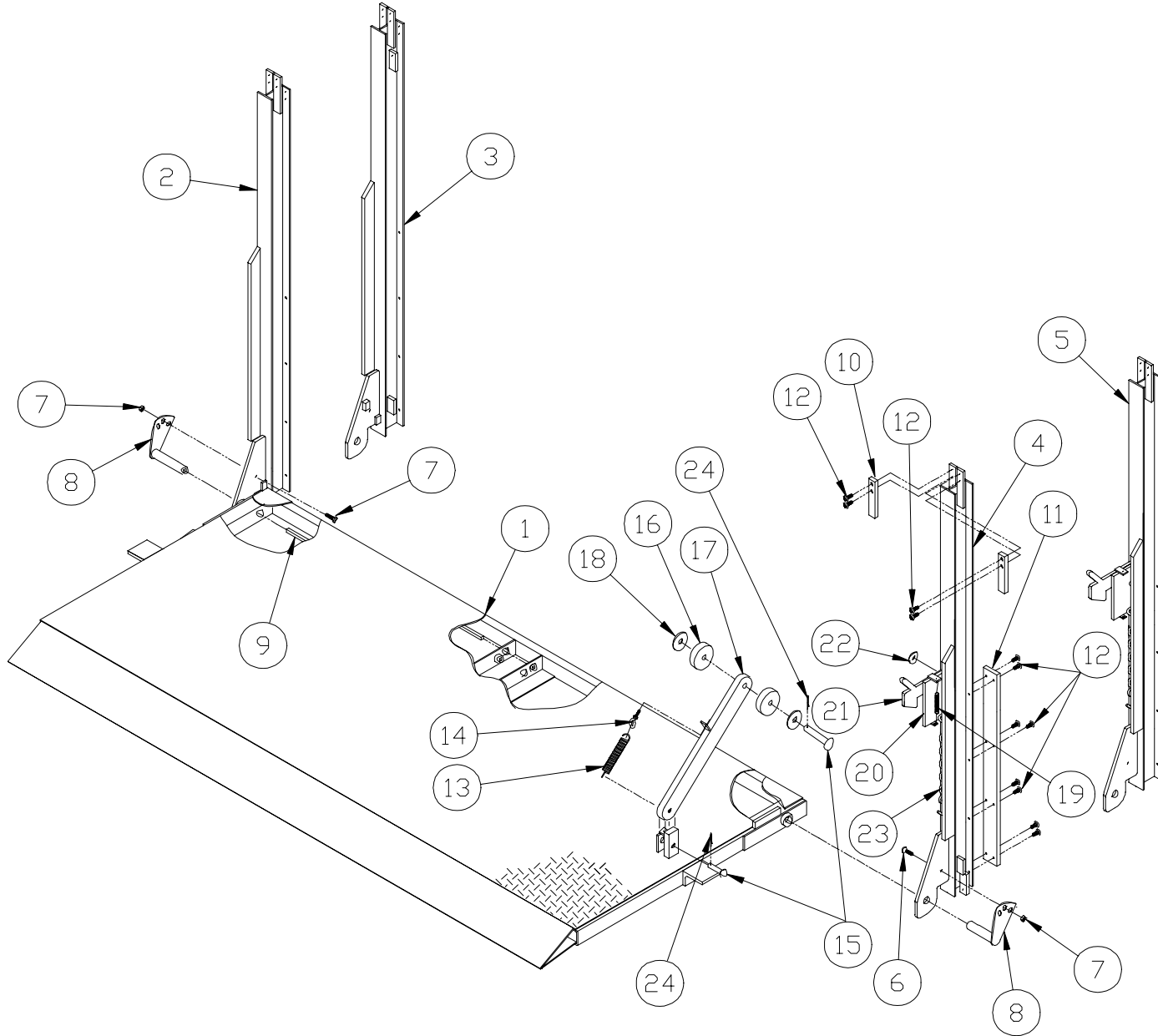
**WALTCO**  
**TRUCK EQUIPMENT CO.**  
**MDRRM-125C, 125AFC**

REVISED: 12/1/03  
 E.O. 5221  
 REV. 01

**PM-465B**

| ITEM | PART NUMBER | QTY | DESCRIPTION                       |
|------|-------------|-----|-----------------------------------|
| 1    | 39511030    | 1   | 30" x 89" + 6" Deck Assembly      |
|      | 39511036    | 1   | 36" x 89" + 6" Deck Assembly      |
|      | 39511021    | 1   | 42" x 89" + 6" Deck Assembly      |
|      | 39511017    | 1   | 30" x 85" + 6" Deck Assembly      |
|      | 39511019    | 1   | 36" x 85" + 6" Deck Assembly      |
|      | 39511022    | 1   | 42" x 85" + 6" Deck Assembly      |
|      | 39511018    | 1   | 30" x 81" + 6" Deck Assembly      |
|      | 39511020    | 1   | 36" x 81" + 6" Deck Assembly      |
|      | 39511023    | 1   | 42" x 81" + 6" Deck Assembly      |
| 2    | 39035051    | 1   | Runner Assembly (Street Side)     |
| 3    | 39135051    | 1   | Runner Assembly (Street Side), AF |
| 4    | 39035001    | 1   | Runner Assembly (Curb Side)       |
| 5    | 39135001    | 1   | Runner Assembly (Curb Side), AF   |
| 6    | 75086058    | 1   | 3/8"-16 x 1-1/2" Hex Head Screw   |
| 7    | 75085005    | 2   | 3/8"-16 Hex Nut, Serrated         |
| 8    | 39012000    | 2   | 3/8" Hinge Pin Casting            |
| 9    | 33570220    | 1   | Torsion Bar (30" Decks)           |
|      | 33570200    | 1   | Torsion Bar (36" Decks)           |
|      | 35270201    | 1   | Torsion Bar (42" Decks)           |
| 10   | 33035700    | 4   | Plastic Slide Bearing             |
| 11   | 39035750    | 2   | Plastic Slide Bearing             |
| 12   | 75086854    | 24  | 1/4"-20 x 5/8" Self Tapping Screw |
| 13   | 75089755    | 1   | Cam Release Spring                |
| 14   | 75080102    | 1   | 5/16"-18 x 3-1/2" Eye Bolt        |
| 15   | 33540200    | 2   | Pin, Cam Follower                 |
| 16   | 34036701    | 2   | Polymer Roller                    |
| 17   | 39540100    | 1   | Cam Follower                      |
| 18   | 75088064    | 2   | Washer                            |
| 19   | 75089752    | 1   | Latch Spring                      |
| 20   | 39529791    | 1   | Latch Assembly                    |
| 21   | 39529715    | 1   | Latch                             |
| 22   | 75088062    | 1   | Washer                            |
| 23   | 33593105    | 1   | Latch Chain Assembly              |
| 24   | 75084052    | 2   | 5/32" Dia. x 1" Cotter Pin        |

# PLATFORM AND RUNNER ASSEMBLY



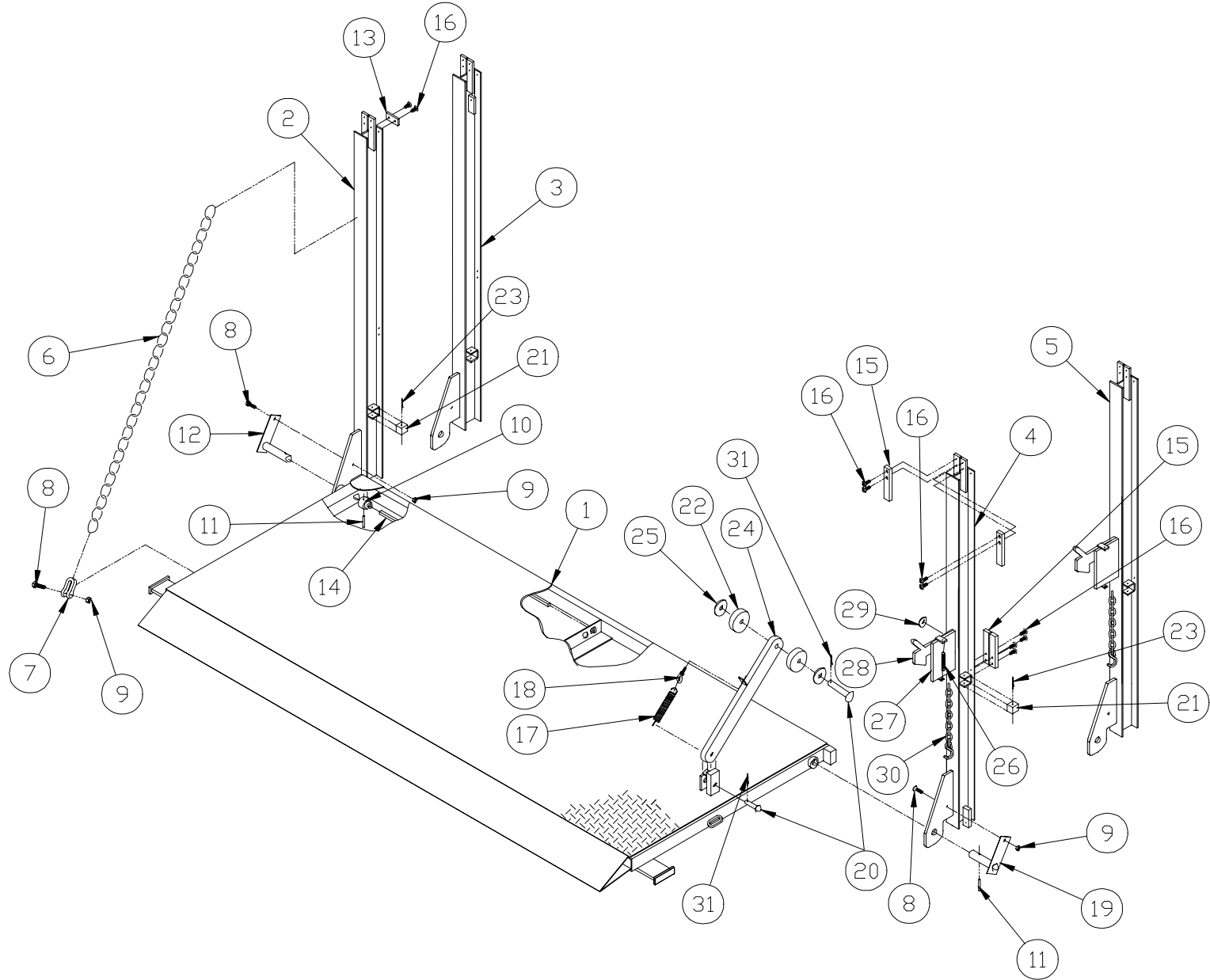
**WALTCO**  
**TRUCK EQUIPMENT CO.**  
**MDRRM-160C, 160AFC**

REVISED: 12/1/03  
 E.O. 5221  
 REV. 01

**PM-466B**

| ITEM | PART NUMBER | QTY | DESCRIPTION                       |
|------|-------------|-----|-----------------------------------|
| 1    | 39511030    | 1   | 30" x 89" + 6" Deck Assembly      |
|      | 39511036    | 1   | 36" x 89" + 6" Deck Assembly      |
|      | 39511021    | 1   | 42" x 89" + 6" Deck Assembly      |
|      | 39511017    | 1   | 30" x 85" + 6" Deck Assembly      |
|      | 39511019    | 1   | 36" x 85" + 6" Deck Assembly      |
|      | 39511022    | 1   | 42" x 85" + 6" Deck Assembly      |
|      | 39511018    | 1   | 30" x 81" + 6" Deck Assembly      |
|      | 39511020    | 1   | 36" x 81" + 6" Deck Assembly      |
|      | 39511023    | 1   | 42" x 81" + 6" Deck Assembly      |
| 2    | 39535051    | 1   | Runner Assembly (Street Side)     |
| 3    | 39635051    | 1   | Runner Assembly (Street Side), AF |
| 4    | 39535001    | 1   | Runner Assembly (Curb Side)       |
| 5    | 39635001    | 1   | Runner Assembly (Curb Side), AF   |
| 6    | 75086058    | 2   | 3/8"-16 x 1-1/2" Hex Head Screw   |
| 7    | 75085005    | 2   | 3/8"-16 Hex Nut, Serrated         |
| 8    | 39012000    | 2   | 3/8" Hinge Pin Casting            |
| 9    | 33570220    | 1   | Torsion Bar (30" Decks)           |
|      | 33570200    | 1   | Torsion Bar (36" Decks)           |
|      | 35270201    | 1   | Torsion Bar (42" Decks)           |
| 10   | 33035700    | 4   | Plastic Slide Bearing             |
| 11   | 39035750    | 2   | Plastic Slide Bearing             |
| 12   | 75086854    | 24  | 1/4"-20 x 5/8" Self Tapping Screw |
| 13   | 75089755    | 1   | Cam Release Spring                |
| 14   | 75080102    | 1   | 5/16"-18 x 3-1/2" Eye Bolt        |
| 15   | 33540200    | 2   | Pin, Cam Follower                 |
| 16   | 34036701    | 2   | Polymer Roller                    |
| 17   | 39540100    | 1   | Cam Follower                      |
| 18   | 75088064    | 2   | Washer                            |
| 19   | 75089752    | 1   | Latch Spring                      |
| 20   | 39529791    | 1   | Latch Assembly                    |
| 21   | 39529715    | 1   | Latch                             |
| 22   | 75088062    | 1   | Washer                            |
| 23   | 33593105    | 1   | Latch Chain Assembly              |
| 24   | 75084052    | 2   | 5/32" Dia. x 1" Cotter Pin        |

# PLATFORM AND RUNNER ASSEMBLY



**WALTCO**  
**TRUCK EQUIPMENT CO.**  
**MDRRM-125C, 125AFC**

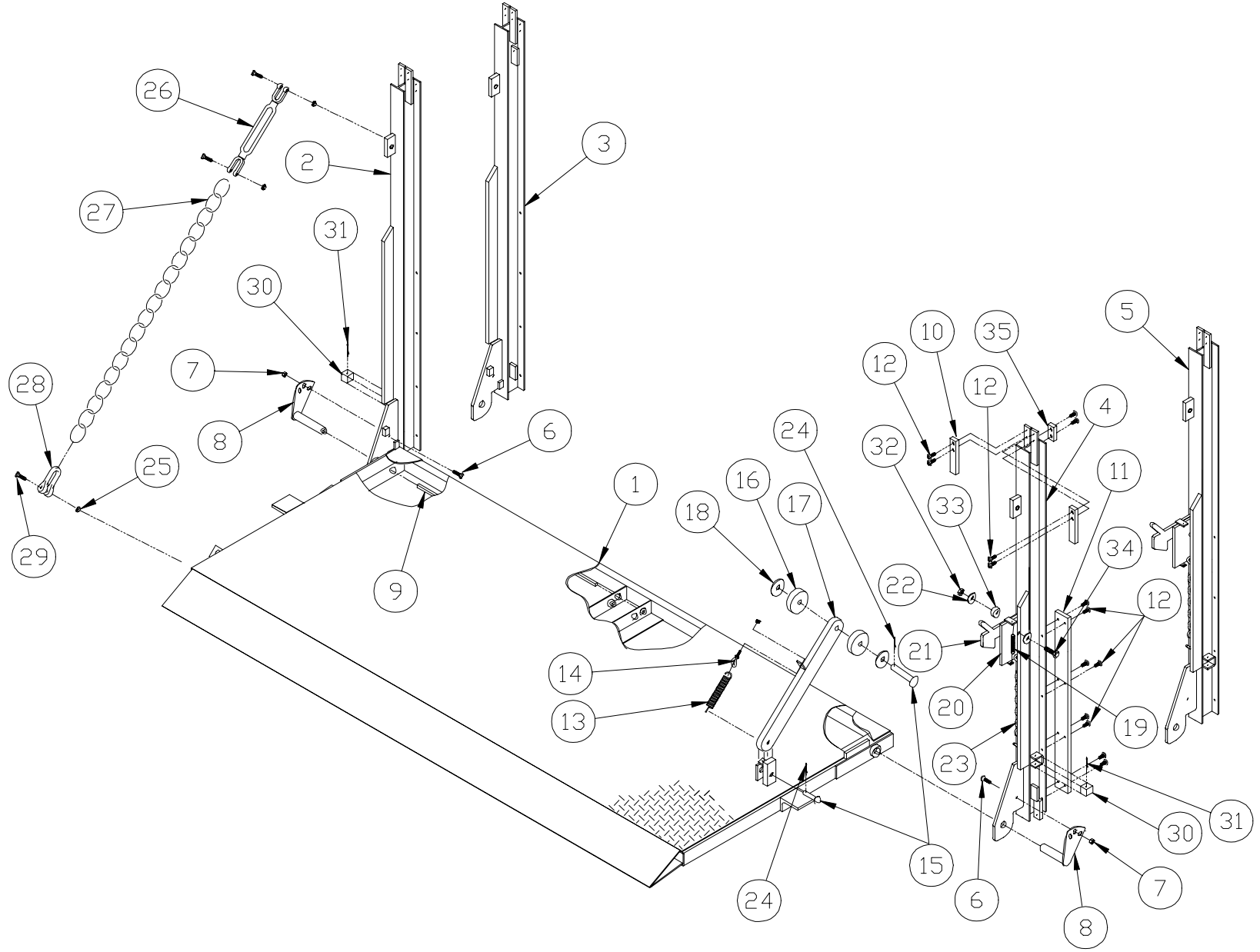
REVISED: 12/1/03  
 E.O. 5221  
 REV. 01

**PM-465C**

| ITEM     | PART NUMBER | QTY                              | DESCRIPTION                              |
|----------|-------------|----------------------------------|--|
| 1        | 39511041    | 1                                | 30" x 89" + 6" Deck Assembly             |
|          | 39511042    | 1                                | 36" x 89" + 6" Deck Assembly             |
|          | 39511043    | 1                                | 42" x 89" + 6" Deck Assembly             |
|          | 39511044    | 1                                | 30" x 85" + 6" Deck Assembly             |
|          | 39511045    | 1                                | 36" x 85" + 6" Deck Assembly             |
|          | 39511046    | 1                                | 42" x 85" + 6" Deck Assembly             |
|          | 39511047    | 1                                | 30" x 81" + 6" Deck Assembly             |
|          | 39511048    | 1                                | 36" x 81" + 6" Deck Assembly             |
|          | 39511049    | 1                                | 42" x 81" + 6" Deck Assembly             |
|          | 39611041    | 1                                | 30" x 89" + 6" Deck Assembly, AF         |
|          | 39611042    | 1                                | 36" x 89" + 6" Deck Assembly, AF         |
|          | 39611043    | 1                                | 42" x 89" + 6" Deck Assembly, AF         |
|          | 39611044    | 1                                | 30" x 85" + 6" Deck Assembly, AF         |
|          | 39611045    | 1                                | 36" x 85" + 6" Deck Assembly, AF         |
|          | 39611046    | 1                                | 42" x 85" + 6" Deck Assembly, AF         |
|          | 39611047    | 1                                | 30" x 81" + 6" Deck Assembly, AF         |
| 39611048 | 1           | 36" x 81" + 6" Deck Assembly, AF |  |
| 39611049 | 1           | 42" x 81" + 6" Deck Assembly, AF |  |
| 2        | 39035052    | 1                                | Runner Assembly (Street Side)            |
| 3        | 39135052    | 1                                | Runner Assembly (Street Side), AF        |
| 4        | 39035002    | 1                                | Runner Assembly (Curb Side)              |
| 5        | 39135002    | 1                                | Runner Assembly (Curb Side), AF          |
| 6        | 75086056    | 2                                | 3/8"-16 x 1" Hex Head Screw              |
| 7        | 75085005    | 2                                | 3/8"-16 Hex Nut, Serrated                |
| 8        | 39012000    | 2                                | 3/8" Hinge Pin Casting (30" x 36" Decks) |
|          | 39512000    | 2                                | 1/2" Hinge Pin Casting (42" Decks)       |
| 9        | 33570220    | 1                                | Torsion Bar (30" Decks)                  |
|          | 33570200    | 1                                | Torsion Bar (36" Decks)                  |
|          | 35270201    | 1                                | Torsion Bar (42" Decks)                  |
| 10       | 39035700    | 4                                | Plastic Slide Bearing                    |
| 11       | 39035750    | 2                                | Plastic Slide Bearing                    |
| 12       | 75086854    | 28                               | 1/4"-20 x 5/8" Self Tapping Screw        |
| 13       | 75089755    | 1                                | Cam Release Spring                       |
| 14       | 75080102    | 1                                | 5/16"-18 x 3-1/2" Eye Bolt               |
| 15       | 33540200    | 2                                | Pin, Cam Follower                        |
| 16       | 34036701    | 2                                | Polymer Roller                           |
| 17       | 39540100    | 1                                | Cam Follower                             |
| 18       | 75088064    | 2                                | Washer                                   |
| 19       | 75089752    | 1                                | Latch Spring                             |
| 20       | 39529791    | 1                                | Latch Assembly                           |

| ITEM | PART NUMBER | QTY | DESCRIPTION                                  |
|------|-------------|-----|--|
| 21   | 39529715    | 1   | Latch  |
| 22   | 75088056    | 2   | Washer                                       |
| 23   | 33593105    | 1   | Latch Chain Assembly                         |
| 24   | 75084052    | 2   | 5/32" Dia. x 1" Cotter Pin                   |
| 25   | 75085185    | 1   | 3/8" Nylon Locknut (Optional)                |
| 26   | 34074310    | 1   | 1/2" Turnbuckle (Optional)                   |
| 27   | 39574200    | 1   | Support Chain (Optional)                     |
| 28   | 75089364    | 1   | Shackle (Optional)                           |
| 29   | 75086063    | 1   | 3/8"-16 x 2" Stainless Steel Bolt (Optional) |
| 30   | 33038810    | 2   | Polymer Block                                |
| 31   | 75084055    | 2   | 5/32" Dia. x 2-1/2" Cotter Pin               |
| 32   | 75085162    | 1   | 1/2"-13 Nylon Locknut                        |
| 33   | 34029750    | 1   | Delrin Bushing                               |
| 34   | 75086108    | 1   | 1/2"-13 x 1-1/2" Grade 5 Bolt                |
| 35   | 34427307    | 2   | 1/2" x 1" x 2" Bearing                       |

**PLATFORM AND RUNNER ASSEMBLY**



**WALTCO**  
**TRUCK EQUIPMENT CO.**  
**MDRRM-160C, 160AFC**

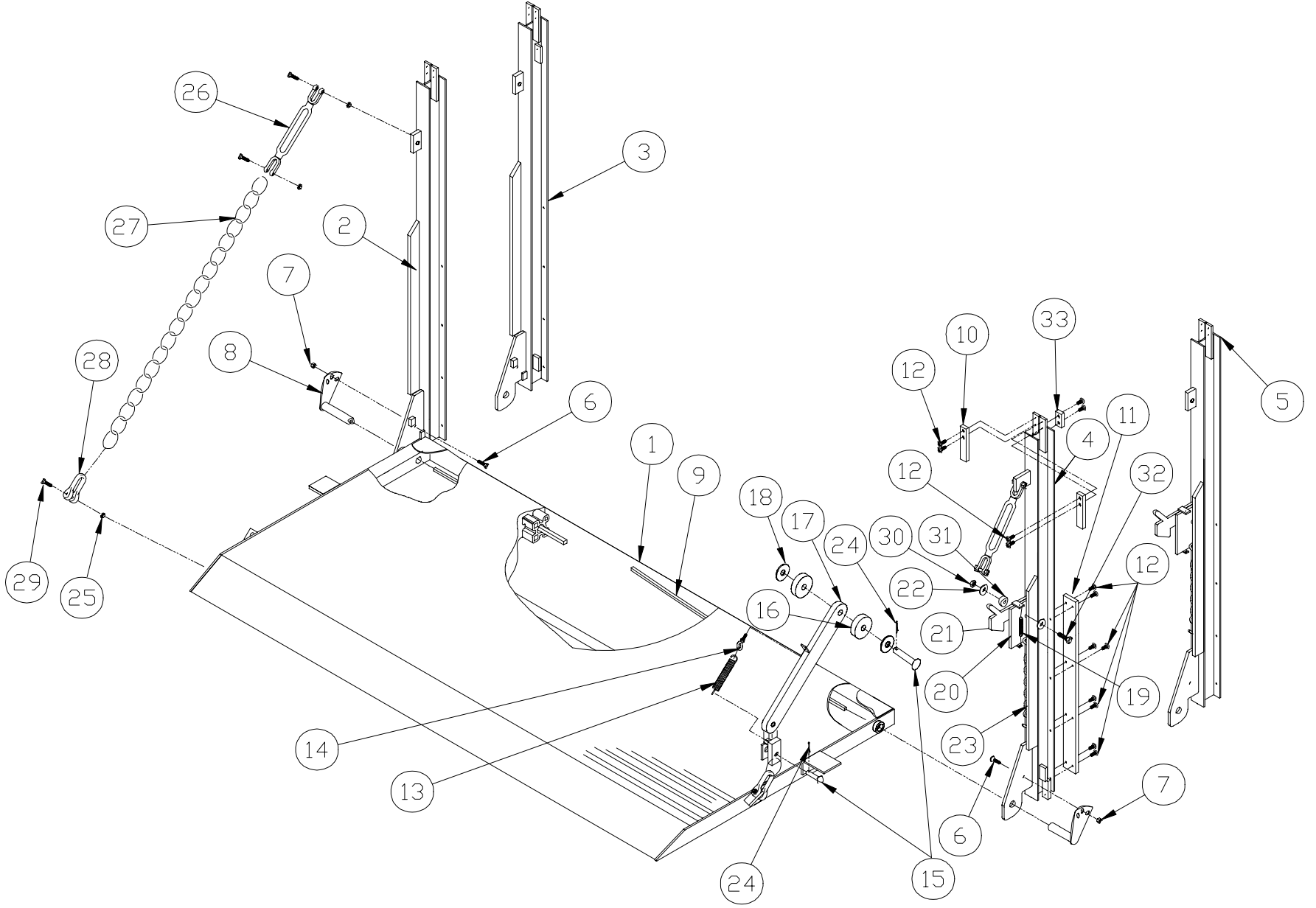
REVISED: 12/1/03  
 E.O. 5221  
 REV. 01

**PM-466C**

| ITEM     | PART NUMBER | QTY                              | DESCRIPTION                              |
|----------|-------------|----------------------------------|--|
| 1        | 39511041    | 1                                | 30" x 89" + 6" Deck Assembly             |
|          | 39511042    | 1                                | 36" x 89" + 6" Deck Assembly             |
|          | 39511043    | 1                                | 42" x 89" + 6" Deck Assembly             |
|          | 39511044    | 1                                | 30" x 85" + 6" Deck Assembly             |
|          | 39511045    | 1                                | 36" x 85" + 6" Deck Assembly             |
|          | 39511046    | 1                                | 42" x 85" + 6" Deck Assembly             |
|          | 39511047    | 1                                | 30" x 81" + 6" Deck Assembly             |
|          | 39511048    | 1                                | 36" x 81" + 6" Deck Assembly             |
|          | 39511049    | 1                                | 42" x 81" + 6" Deck Assembly             |
|          | 39611041    | 1                                | 30" x 89" + 6" Deck Assembly, AF         |
|          | 39611042    | 1                                | 36" x 89" + 6" Deck Assembly, AF         |
|          | 39611043    | 1                                | 42" x 89" + 6" Deck Assembly, AF         |
|          | 39611044    | 1                                | 30" x 85" + 6" Deck Assembly, AF         |
|          | 39611045    | 1                                | 36" x 85" + 6" Deck Assembly, AF         |
|          | 39611046    | 1                                | 42" x 85" + 6" Deck Assembly, AF         |
| 39611047 | 1           | 30" x 81" + 6" Deck Assembly, AF |  |
| 39611048 | 1           | 36" x 81" + 6" Deck Assembly, AF |  |
| 39611049 | 1           | 42" x 81" + 6" Deck Assembly, AF |  |
| 2        | 39535052    | 1                                | Runner Assembly (Street Side)            |
| 3        | 39635052    | 1                                | Runner Assembly (Street Side), AF        |
| 4        | 39535002    | 1                                | Runner Assembly (Curb Side)              |
| 5        | 39635002    | 1                                | Runner Assembly (Curb Side), AF          |
| 6        | 75086056    | 2                                | 3/8"-16 x 1" Hex Head Screw              |
| 7        | 75085005    | 2                                | 3/8"-16 Hex Nut, Serrated                |
| 8        | 39012000    | 2                                | 3/8" Hinge Pin Casting (30" x 36" Decks) |
|          | 39512000    | 2                                | 1/2" Hinge Pin Casting (42" Decks)       |
| 9        | 33670200    | 1                                | Torsion Bar (30" Decks)                  |
|          | 33570200    | 1                                | Torsion Bar (36" Decks)                  |
|          | 35270201    | 1                                | Torsion Bar (42" Decks)                  |
| 10       | 39035700    | 4                                | Plastic Slide Bearing                    |
| 11       | 39035750    | 2                                | Plastic Slide Bearing                    |
| 12       | 75086854    | 28                               | 1/4"-20 x 5/8" Self Tapping Screw        |
| 13       | 75089755    | 1                                | Cam Release Spring                       |
| 14       | 75080102    | 1                                | 5/16"-18 x 3-1/2" Eye Bolt               |
| 15       | 33540200    | 2                                | Pin, Cam Follower                        |
| 16       | 34036701    | 2                                | Polymer Roller                           |
| 17       | 39540100    | 1                                | Cam Follower                             |
| 18       | 75088064    | 2                                | Washer                                   |
| 19       | 75089752    | 1                                | Latch Spring                             |
| 20       | 39529791    | 1                                | Latch Assembly                           |

| ITEM | PART NUMBER | QTY | DESCRIPTION                                  |
|------|-------------|-----|--|
| 21   | 39529715    | 1   | Latch  |
| 22   | 75088056    | 2   | Washer                                       |
| 23   | 33593105    | 1   | Latch Chain Assembly                         |
| 24   | 75084052    | 2   | 5/32" Dia. x 1" Cotter Pin                   |
| 25   | 75085185    | 1   | 3/8" Nylon Locknut (Optional)                |
| 26   | 34074310    | 1   | 1/2" Turnbuckle (Optional)                   |
| 27   | 39574200    | 1   | Support Chain (Optional)                     |
| 28   | 75089364    | 1   | Shackle (Optional)                           |
| 29   | 75086063    | 1   | 3/8"-16 x 2" Stainless Steel Bolt (Optional) |
| 30   | 33038810    | 2   | Polymer Block                                |
| 31   | 75084055    | 2   | 5/32" Dia. x 2-1/2" Cotter Pin               |
| 32   | 75085162    | 1   | 1/2"-13 Nylon Locknut                        |
| 33   | 34029750    | 1   | Delrin Bushing                               |
| 34   | 75086108    | 1   | 1/2"-13 x 1-1/2" Grade 5 Bolt                |
| 35   | 34427307    | 2   | 1/2" x 1" x 2" Bearing                       |

# PLATFORM AND RUNNER ASSEMBLY



**WALTCO**  
**TRUCK EQUIPMENT CO.**  
**MDRRM-160C, ALUMINUM PLATFORM**

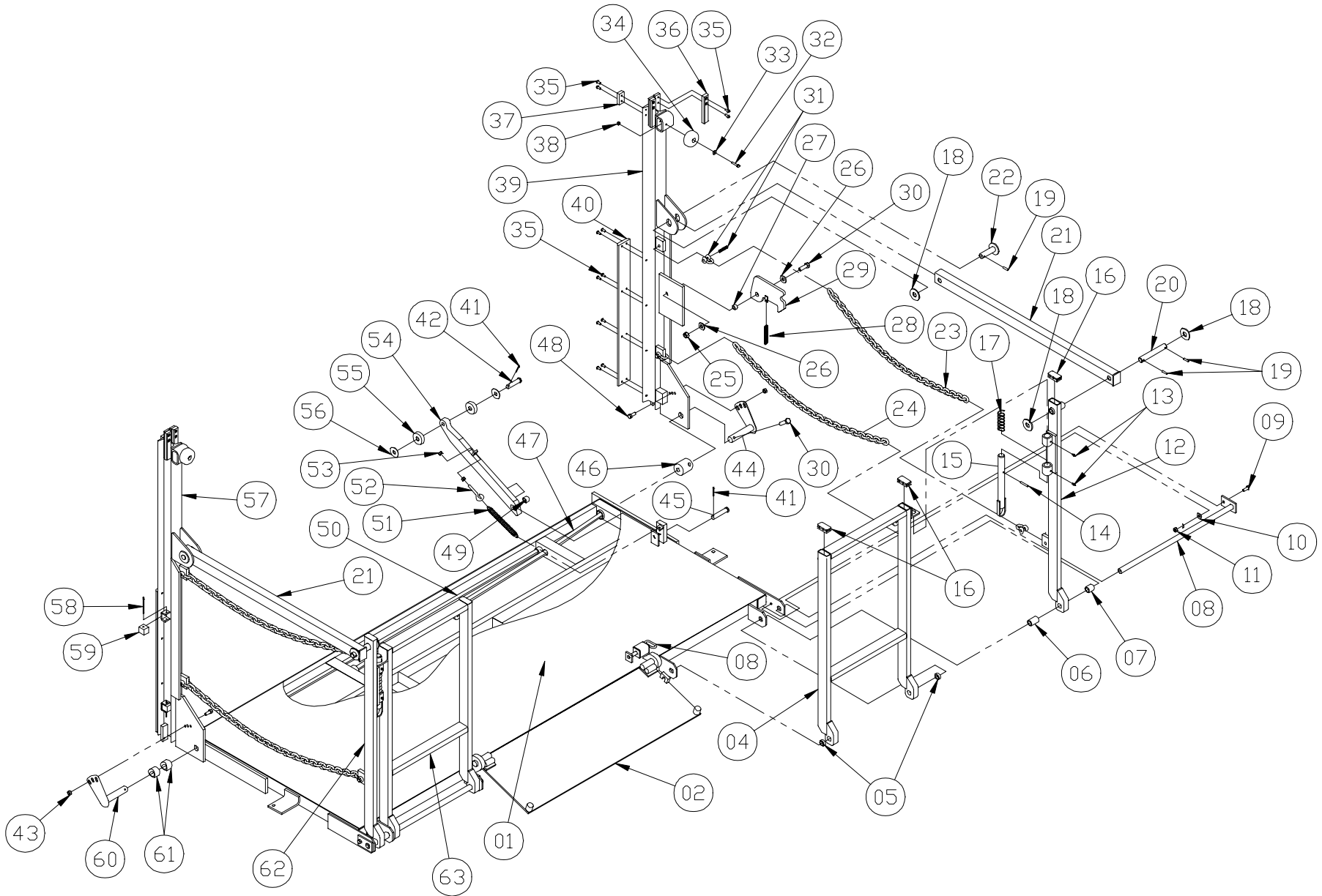
REVISED: 12/1/03  
 E.O. 5221  
 REV. 01

**PM-545A**

| ITEM | PART NUMBER | QTY | DESCRIPTION                          |
|------|-------------|-----|--------------------------------------|
| 1    | 39511053    | 1   | 45-1/2" x 89-1/2" + 9" Deck Assembly |
|      | 39511054    |     | 54-1/2" x 89-1/2" + 9" Deck Assembly |
|      | 39511057    |     | 45-1/2" x 85-1/2" + 9" Deck Assembly |
|      | 39511058    |     | 54-1/2" x 85-1/2" + 9" Deck Assembly |
|      | 39511061    |     | 45-1/2" x 81-1/2" + 9" Deck Assembly |
|      | 39511062    |     | 54-1/2" x 81-1/2" + 9" Deck Assembly |
| 2    | 39535052    | 1   | Runner Assembly (Driver's Side)      |
| 3    | 39635052    | 1   | Runner Assembly (Driver's Side)      |
| 4    | 39535002    | 1   | Runner Assembly (Curb Side)          |
| 5    | 39635002    | 1   | Runner Assembly (Curb Side)          |
| 6    | 75086056    | 2   | 3/8"-16 x 1" Hex Head Screw          |
| 7    | 75085005    | 2   | 3/8"-16 Hex Nut, Serrated            |
| 8    | 39512000    | 2   | 3/8" Hinge Pin Casting               |
| 9    | 33070200    | 1   | 1/2" Torsion Bar (45-1/2" Decks)     |
|      | 33570230    |     | 1/2" Torsion Bar (54-1/2" Decks)     |
| 10   | 39035700    | 4   | Plastic Slide Bearing                |
| 11   | 39035750    | 2   | Plastic Slide Bearing                |
| 12   | 75086854    | 28  | 1/4"-20 x 5/8" Self Tapping Screw    |
| 13   | 75089755    | 1   | Cam Release Spring                   |
| 14   | 75080102    | 1   | 5/16"-18 x 3-1/2" Eye Bolt           |
| 15   | 33540200    | 2   | Pin, Cam Follower                    |
| 16   | 34036701    | 2   | Polymer Roller                       |
| 17   | 39540100    | 1   | Cam Follower                         |
| 18   | 75088064    | 2   | Washer                               |
| 19   | 75089752    | 1   | Latch Spring                         |
| 20   | 39529791    | 1   | Latch Assembly                       |
| 21   | 39529715    | 1   | Latch                                |
| 22   | 75088056    | 2   | Washer                               |
| 23   | 33593105    | 1   | Latch Chain Assembly                 |
| 24   | 75084052    | 3   | 5/32" Dia. x 1" Cotter Pin           |
| 25   | 75085185    | 4   | 3/8" Nylok Nut                       |
| 26   | 34074310    | 2   | 1/2" Turnbuckle                      |
| 27   | 39574220    | 2   | Support Chain                        |
| 28   | 75089364    | 2   | Shackle                              |
| 29   | 75086063    | 2   | 3/8"-16 x 2" Stainless Steel Bolt    |
| 30   | 75085162    | 1   | 1/2"-13 Nylon Locknut                |
| 31   | 34029750    | 1   | Delrin Bushing                       |
| 32   | 75086108    | 1   | 1/2"-13 x 1-1/2" Grade 5 Bolt        |

| ITEM | PART NUMBER | QTY | DESCRIPTION |
|------|-------------|-----|-------------|
| 33   | 34427307    | 2   | Bearing     |

# BOTTLE GAS PLATFORM ASSEMBLY



**WALTCO**  
**TRUCK EQUIPMENT CO.**  
**MDRRM-160C B.G.**

REVISED: 12/1/03  
 E.O. 5221  
 REV. 01

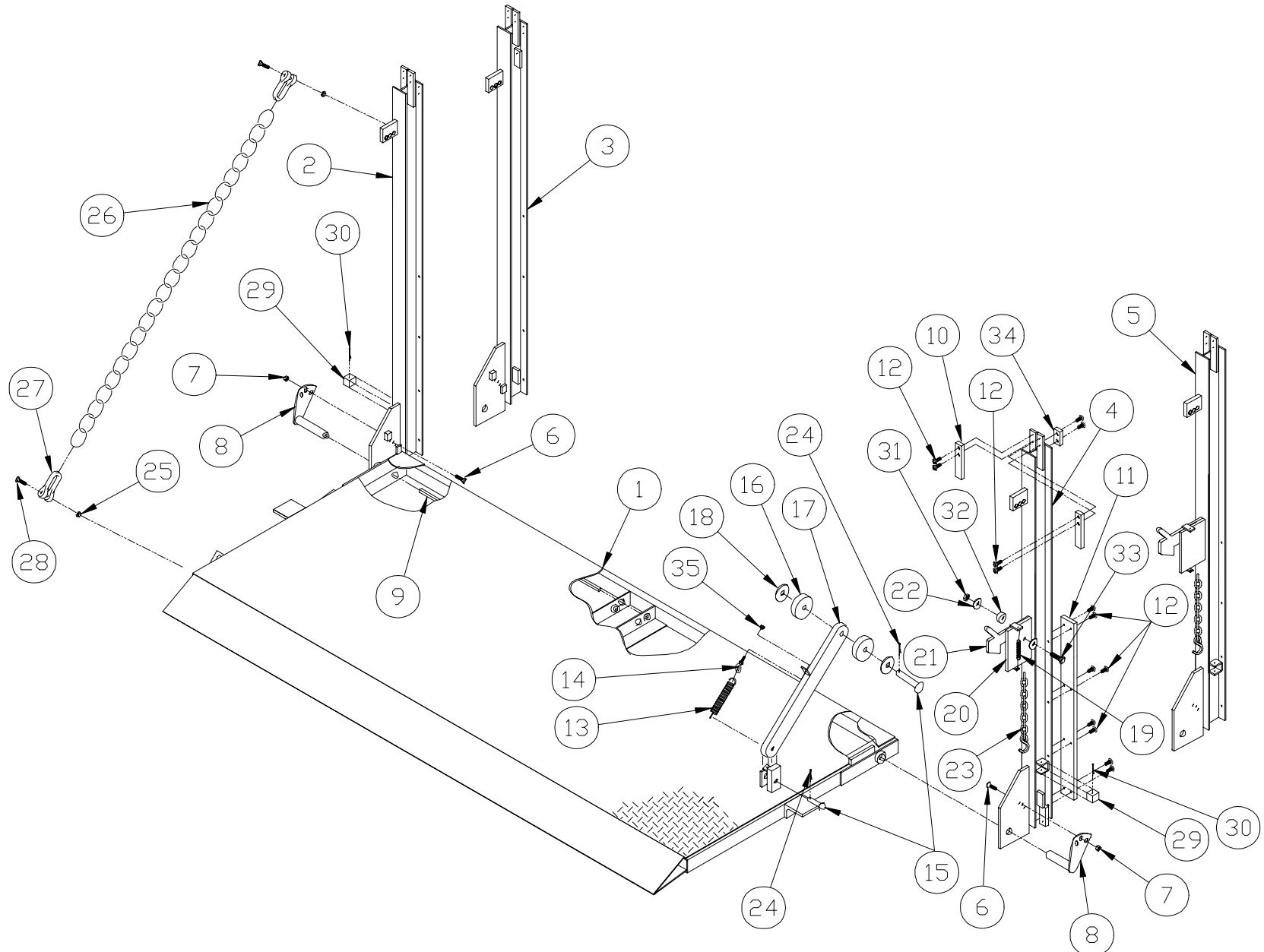
**PM-552A**

| ITEM | PART NUMBER | QTY | DESCRIPTION                                |
|------|-------------|-----|--|
| 1    | 39510036    | 1   | 36" x 90" Bottle Gas Deck                  |
| 2    | 39515100    | 1   | 12" Steel Ramp Sub-Assembly                |
| 3    | 39559040    | 1   | Ramp Lock Pin Assembly                     |
| 4    | 39559200    | 1   | Curb Side Rear Guard Rail Assembly         |
| 5    | 39559282    | 4   | 11/32" Long Spacer                         |
| 6    | 39559281    | 2   | 1-17/32" Long Spacer                       |
| 7    | 39559280    | 2   | 1-1/16" Long Spacer                        |
| 8    | 39559263    | 2   | Rear Guard Pin Assembly                    |
| 9    | 75086175    | 2   | 3/8-16 x 1" Grade 5 Hex Bolt               |
| 10   | 75088053    | 2   | 3/8" x 1" x .078" thick Zinc Plated Washer |
| 11   | 75085193    | 2   | 3/8-16 Hex Lock Nut                        |
| 12   | 39559000    | 1   | Curb Side Guard Rail Assembly              |
| 13   | 75089305    | 4   | Grease Zerk                                |
| 14   | 75089557    | 2   | .25" x 1.5" Coil Pin                       |
| 15   | 36458501    | 2   | Lock Pin Assembly                          |
| 16   | 33520900    | 6   | Plug                                       |
| 17   | 75089756    | 2   | 1-1/4" x 4-3/4" Spring                     |
| 18   | 75088058    | 6   | 3/4" x 2" x .156" Thick Steel Flat Washer  |
| 19   | 75089549    | 6   | .25" x 1" Coil Pin                         |
| 20   | 39559260    | 2   | Upper Front Side Guard Pin                 |
| 21   | 39559105    | 2   | Side Rail Assembly                         |
| 22   | 39559261    | 2   | Side Guard Pin Assembly                    |
| 23   | 36458336    | 2   | 1/4" Plated Upper Chain                    |
| 24   | 36458236    | 2   | 1/4" Plated Lower Chain                    |
| 25   | 75085162    | 1   | 1/2-13 Lock Nut                            |
| 26   | 75088056    | 2   | 1/2" x 1-3/8" x .109" Zinc Plated Washer   |
| 27   | 34029750    | 1   | Spacer                                     |
| 28   | 75089752    | 1   | 1/2" x 3" Spring                           |
| 29   | 39529715    | 1   | Retainer Latch Assembly                    |
| 30   | 75086108    | 2   | 1/2-13 x 1.5" long Grade 5 Hex Bolt        |
| 31   | 75089364    | 4   | 5/16" Shackle                              |
| 32   | 75086006    | 2   | 1/4-20 x 1" long Grade 2 Hex Bolt          |
| 33   | 75088051    | 2   | 1/4" x 5/8" x .065" Zinc Plated Washer     |
| 34   | 34036750    | 2   | Rubber Pad                                 |
| 35   | 75086854    | 28  | 1/4-20 x 5/8" Round Head Phillips Screw    |
| 36   | 39035700    | 4   | Upper Runner Bearing                       |
| 37   | 34427307    | 2   | Shoe Assembly Bearing                      |
| 38   | 75085001    | 2   | 1/4-20 Serrated Hex Nut                    |
| 39   | 39530003    | 1   | Curb Side Runner Assembly 160CC B.G.       |
| 40   | 39035750    | 2   | Lower Runner Bearing                       |

| ITEM | PART NUMBER | QTY | DESCRIPTION                               |
|------|-------------|-----|---|
| 41   | 75084052    | 3   | 5/32" x 1" Cotter Pin                     |
| 42   | 33540200    | 1   | Cam Follower Pin                          |
| 43   | 75085005    | 2   | 3/8-16 Serrated Hex Nut                   |
| 44   | 39010800    | 1   | Hinge Pin Stainless Steel No Broach       |
| 45   | 39540225    | 1   | 5/8" x 3" long Clevis Pin                 |
| 46   | 39011800    | 1   | 9/16" Broach Torsion Bar Adapter          |
| 47   | 34070220    | 1   | 9/16" Torsion Bar                         |
| 48   | 75086056    | 2   | 3/8-16 x 1" Grade 5 Hex Screw             |
| 49   | 75081225    | 1   | Bushing                                   |
| 50   | 33570230    | 1   | 1/2" Torsion Bar                          |
| 51   | 75089755    | 1   | .75" x 7" Cam Release Spring              |
| 52   | 75080102    | 1   | 5/16-18 x 3.25" Eye Bolt                  |
| 53   | 75085003    | 1   | 5/16-18 Serrated Hex Nut                  |
| 54   | 39540100    | 1   | Cam Follower                              |
| 55   | 34036701    | 2   | 9/16" Roller                              |
| 56   | 75088064    | 2   | 5/8" x 1-5/16" x .095" Zinc Plated Washer |
| 57   | 39530053    | 1   | Driver Side Runner Assembly 160 CC BG     |
| 58   | 75084055    | 4   | 5/32" x 2.5" Cotter Pin                   |
| 59   | 33038810    | 4   | Plastic Block                             |
| 60   | 39512000    | 1   | .5" Hinge Pin                             |
| 61   | 10010142    | 4   | 1" x 1.25" x .75" Bearings                |
| 62   | 39559050    | 1   | Driver Side Guard Rail Assembly           |
| 63   | 39559250    | 1   | Driver Side Rear Guard Rail Assembly      |



# PLATFORM AND RUNNER ASSEMBLY



**WALTCO**  
**TRUCK EQUIPMENT CO.**  
**MDRRM-125C, 125AFC**

REVISED: 12/1/03  
 E.O. 5221  
 REV. 01

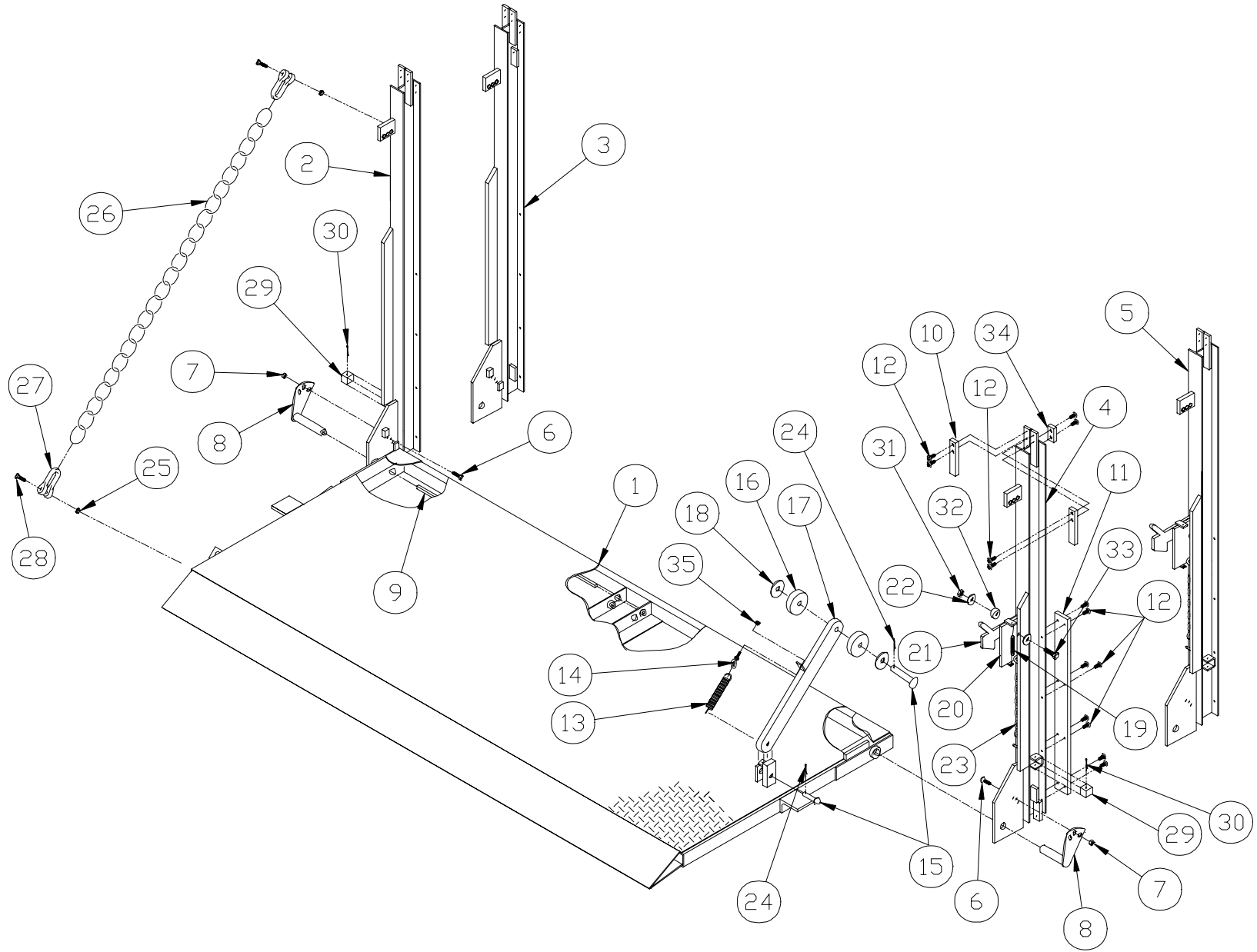
**PM-465D**

| ITEM     | PART NUMBER           | QTY                              | DESCRIPTION                              |
|----------|-----------------------|----------------------------------|--|
| 1        | 39511041              | 1                                | 30" x 89" + 6" Deck Assembly             |
|          | 39511042              | 1                                | 36" x 89" + 6" Deck Assembly             |
|          | 39511043              | 1                                | 42" x 89" + 6" Deck Assembly             |
|          | 39511044              | 1                                | 30" x 85" + 6" Deck Assembly             |
|          | 39511045              | 1                                | 36" x 85" + 6" Deck Assembly             |
|          | 39511046              | 1                                | 42" x 85" + 6" Deck Assembly             |
|          | 39511047              | 1                                | 30" x 81" + 6" Deck Assembly             |
|          | 39511048              | 1                                | 36" x 81" + 6" Deck Assembly             |
|          | 39511049              | 1                                | 42" x 81" + 6" Deck Assembly             |
|          | 39611041              | 1                                | 30" x 89" + 6" Deck Assembly, AF         |
|          | 39611042              | 1                                | 36" x 89" + 6" Deck Assembly, AF         |
|          | 39611043              | 1                                | 42" x 89" + 6" Deck Assembly, AF         |
|          | 39611044              | 1                                | 30" x 85" + 6" Deck Assembly, AF         |
|          | 39611045              | 1                                | 36" x 85" + 6" Deck Assembly, AF         |
|          | 39611046              | 1                                | 42" x 85" + 6" Deck Assembly, AF         |
| 39611047 | 1                     | 30" x 81" + 6" Deck Assembly, AF |  |
| 39611048 | 1                     | 36" x 81" + 6" Deck Assembly, AF |  |
| 39611049 | 1                     | 42" x 81" + 6" Deck Assembly, AF |  |
| 2        | 39035052              | 1                                | Runner Assembly (Street Side)            |
| 3        | 39135052              | 1                                | Runner Assembly (Street Side), AF        |
| 4        | 39035002              | 1                                | Runner Assembly (Curb Side)              |
| 5        | 39135002              | 1                                | Runner Assembly (Curb Side), AF          |
| 6        | 75086056              | 2                                | 3/8"-16 x 1" Hex Head Screw              |
| 7        | 75085005              | 2                                | 3/8"-16 Hex Nut, Serrated                |
| 8        | 39012000              | 2                                | 3/8" Hinge Pin Casting (30" x 36" Decks) |
|          | 39512000              | 2                                | 1/2" Hinge Pin Casting (42" Decks)       |
| 9        | 33570220              | 1                                | Torsion Bar (30" Decks)                  |
|          | 33570200              | 1                                | Torsion Bar (36" Decks)                  |
|          | 35270201              | 1                                | Torsion Bar (42" Decks)                  |
| 10       | 39035700 <sup>A</sup> | 4                                | Plastic Slide Bearing                    |
| 11       | 39035750 <sup>A</sup> | 2                                | Plastic Slide Bearing                    |
| 12       | 75086854 <sup>A</sup> | 28                               | 1/4"-20 x 5/8" Self Tapping Screw        |
| 13       | 75089755              | 1                                | Cam Release Spring                       |
| 14       | 20252200              | 1                                | 5/16"-18 x 3-1/2" Eye Bolt w/ Nut        |
| 15       | 33540200              | 2                                | Pin, Cam Follower                        |
| 16       | 34036701              | 2                                | Polymer Roller                           |
| 17       | 39540100              | 1                                | Cam Follower                             |
| 18       | 75088064              | 2                                | Washer                                   |
| 19       | 75089752              | 1                                | Latch Spring                             |
| 20       | 39529791              | 1                                | Latch Assembly                           |

| ITEM | PART NUMBER | QTY | DESCRIPTION                                      |
|------|-------------|-----|--|
| 21   | 39529715    | 1   | Latch  |
| 22   | 75088056    | 2   | Washer   |
| 23   | 33593105    | 1   | Latch Chain Assembly                             |
| 24   | 75084052    | 2   | 5/32" Dia. x 1" Cotter Pin                       |
| 25   | 75085185    | 2   | 3/8" Nylon Locknut (Optional)                    |
| 26   | 39574201    | 1   | Support Chain (Optional)                         |
| 27   | 75089364    | 2   | Shackle (Optional)                               |
| 28   | 75086222    | 2   | 3/8"-16 x 1-3/4" Stainless Steel Bolt (Optional) |
| 29   | 33038810    | 2   | Polymer Block                                    |
| 30   | 75084055    | 2   | 5/32" Dia. x 2-1/2" Cotter Pin                   |
| 31   | 75085162    | 1   | 1/2"-13 Nylon Locknut                            |
| 32   | 34029750    | 1   | Delrin Bushing                                   |
| 33   | 75086108    | 1   | 1/2"-13 x 1-1/2" Grade 5 Bolt                    |
| 34   | 34427307    | 2   | 1/2" x 1" x 2" Bearing                           |
| 35   | 75085003    | 1   | 5/16"-18 Hex Nut, Serrated                       |

<sup>A</sup> Included in Slide Bearing Replacement Kit 80000931

# PLATFORM AND RUNNER ASSEMBLY



**WALTCO**  
**TRUCK EQUIPMENT CO.**  
**MDRRM-160C, 160AFC**

REVISED: 12/1/03  
 E.O. 5221  
 REV. 01

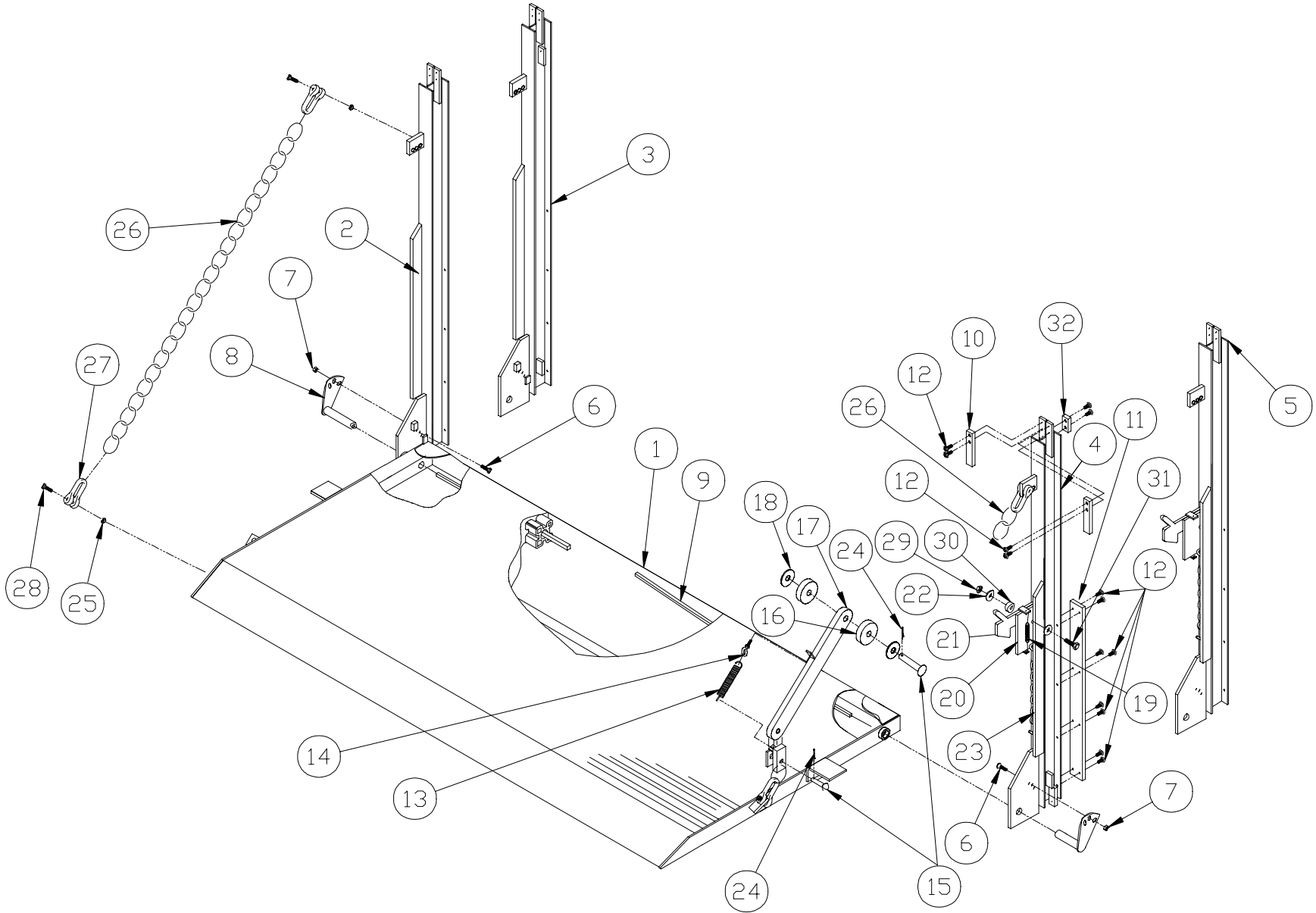
**PM-466D**

| ITEM | PART NUMBER           | QTY      | DESCRIPTION                              |
|------|-----------------------|----------|--|
| 1    | 39511041              | 1        | 30" x 89" + 6" Deck Assembly             |
|      | 39511042              | 1        | 36" x 89" + 6" Deck Assembly             |
|      | 39511043              | 1        | 42" x 89" + 6" Deck Assembly             |
|      | 39511044              | 1        | 30" x 85" + 6" Deck Assembly             |
|      | 39511045              | 1        | 36" x 85" + 6" Deck Assembly             |
|      | 39511046              | 1        | 42" x 85" + 6" Deck Assembly             |
|      | 39511047              | 1        | 30" x 81" + 6" Deck Assembly             |
|      | 39511048              | 1        | 36" x 81" + 6" Deck Assembly             |
|      | 39511049              | 1        | 42" x 81" + 6" Deck Assembly             |
|      | 39611041              | 1        | 30" x 89" + 6" Deck Assembly, AF         |
|      | 39611042              | 1        | 36" x 89" + 6" Deck Assembly, AF         |
|      | 39611043              | 1        | 42" x 89" + 6" Deck Assembly, AF         |
|      | 39611044              | 1        | 30" x 85" + 6" Deck Assembly, AF         |
|      | 39611045              | 1        | 36" x 85" + 6" Deck Assembly, AF         |
|      | 39611046              | 1        | 42" x 85" + 6" Deck Assembly, AF         |
|      | 39611047              | 1        | 30" x 81" + 6" Deck Assembly, AF         |
|      | 39611048              | 1        | 36" x 81" + 6" Deck Assembly, AF         |
|      | 39611049              | 1        | 42" x 81" + 6" Deck Assembly, AF         |
|      | 2                     | 39535052 | 1  |
| 3    | 39635052              | 1        | Runner Assembly (Street Side), AF        |
| 4    | 39535002              | 1        | Runner Assembly (Curb Side)              |
| 5    | 39635002              | 1        | Runner Assembly (Curb Side), AF          |
| 6    | 75086056              | 2        | 3/8"-16 x 1" Hex Head Screw              |
| 7    | 75085005              | 2        | 3/8"-16 Hex Nut, Serrated                |
| 8    | 39012000              | 2        | 3/8" Hinge Pin Casting (30" x 36" Decks) |
|      | 39512000              | 2        | 1/2" Hinge Pin Casting (42" Decks)       |
| 9    | 33670200              | 1        | Torsion Bar (30" Decks)                  |
|      | 33570200              | 1        | Torsion Bar (36" Decks)                  |
|      | 35270201              | 1        | Torsion Bar (42" Decks)                  |
| 10   | 39035700 <sup>A</sup> | 4        | Plastic Slide Bearing                    |
| 11   | 39035750 <sup>A</sup> | 2        | Plastic Slide Bearing                    |
| 12   | 75086854 <sup>A</sup> | 28       | 1/4"-20 x 5/8" Self Tapping Screw        |
| 13   | 75089755              | 1        | Cam Release Spring                       |
| 14   | 20225200              | 1        | 5/16"-18 x 3-1/2" Eye Bolt with Nut      |
| 15   | 33540200              | 2        | Pin, Cam Follower                        |
| 16   | 34036701              | 2        | Polymer Roller                           |
| 17   | 39540100              | 1        | Cam Follower                             |
| 18   | 75088064              | 2        | Washer                                   |
| 19   | 75089752              | 1        | Latch Spring                             |
| 20   | 39529791              | 1        | Latch Assembly                           |

| ITEM | PART NUMBER | QTY | DESCRIPTION                                      |
|------|-------------|-----|--|
| 21   | 39529715    | 1   | Latch  |
| 22   | 75088056    | 2   | Washer   |
| 23   | 33593105    | 1   | Latch Chain Assembly                             |
| 24   | 75084052    | 2   | 5/32" Dia. x 1" Cotter Pin                       |
| 25   | 75085185    | 2   | 3/8" Nylon Locknut (Optional)                    |
| 26   | 39574200    | 1   | Support Chain (Optional)                         |
| 27   | 75089364    | 2   | Shackle (Optional)                               |
| 28   | 75086222    | 2   | 3/8"-16 x 1-3/4" Stainless Steel Bolt (Optional) |
| 29   | 33038810    | 2   | Polymer Block                                    |
| 30   | 75084055    | 2   | 5/32" Dia. x 2-1/2" Cotter Pin                   |
| 31   | 75085162    | 1   | 1/2"-13 Nylon Locknut                            |
| 32   | 34029750    | 1   | Delrin Bushing                                   |
| 33   | 75086108    | 1   | 1/2"-13 x 1-1/2" Grade 5 Bolt                    |
| 34   | 34427307    | 2   | 1/2" x 1" x 2" Bearing                           |
| 35   | 75085003    | 1   | 5/16"-18 Hex Nut, Serrated                       |

<sup>A</sup> Included in Slide Bearing Replacement Kit 80000931

# PLATFORM AND RUNNER ASSEMBLY



**WALTCO**  
**TRUCK EQUIPMENT CO.**  
**MDRRM-160C, ALUMINUM PLATFORM**

REVISED: 12/1/03  
 E.O. 5221  
 REV. 01

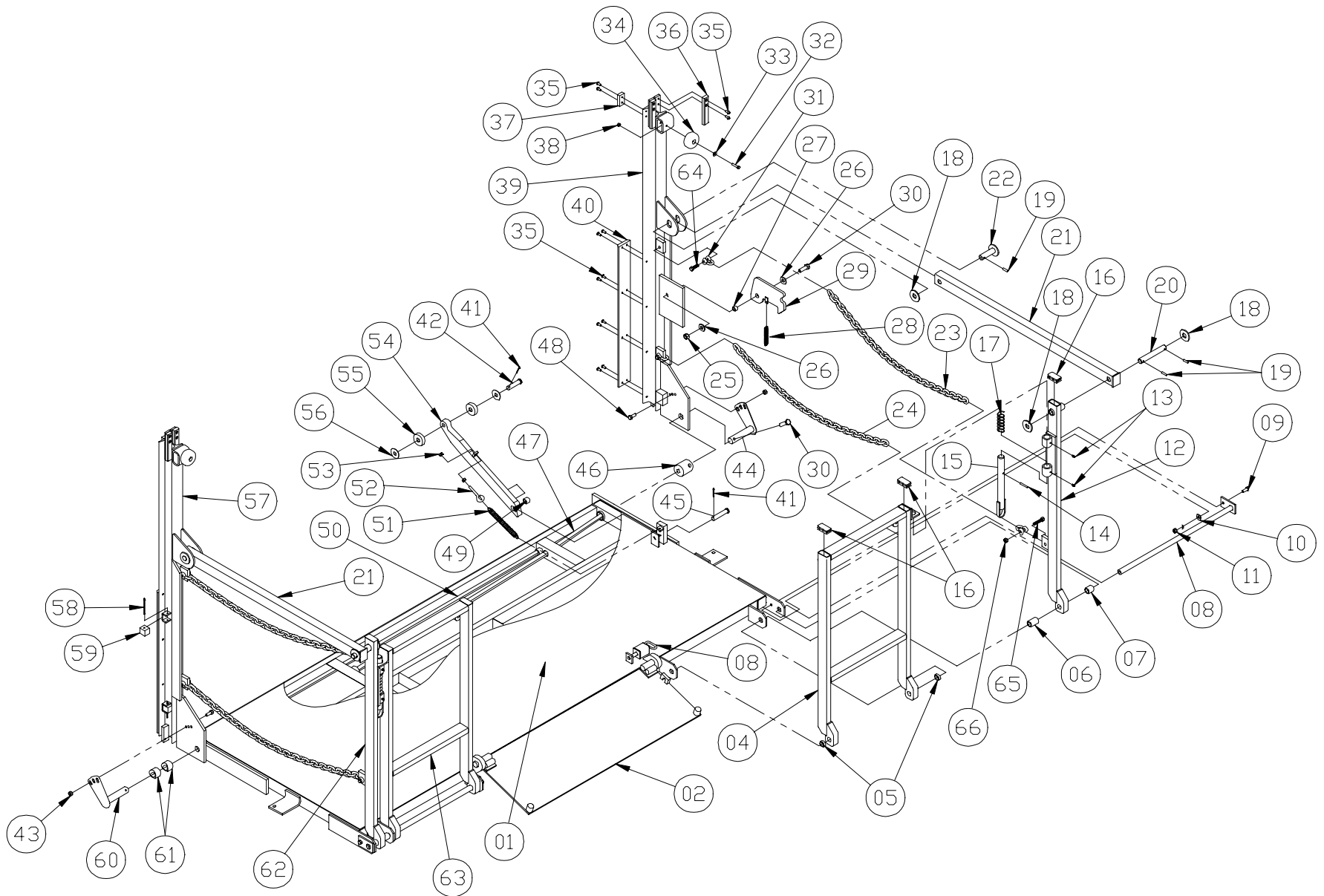
**PM-545B**

| ITEM | PART NUMBER           | QTY | DESCRIPTION                          |
|------|-----------------------|-----|--------------------------------------|
| 1    | 39511053              | 1   | 45-1/2" x 89-1/2" + 9" Deck Assembly |
|      | 39511054              |     | 54-1/2" x 89-1/2" + 9" Deck Assembly |
|      | 39511057              |     | 45-1/2" x 85-1/2" + 9" Deck Assembly |
|      | 39511058              |     | 54-1/2" x 85-1/2" + 9" Deck Assembly |
|      | 39511061              |     | 45-1/2" x 81-1/2" + 9" Deck Assembly |
|      | 39511062              |     | 54-1/2" x 81-1/2" + 9" Deck Assembly |
| 2    | 39535052              | 1   | Runner Assembly (Driver's Side)      |
| 3    | 39635052              | 1   | Runner Assembly (Driver's Side)      |
| 4    | 39535002              | 1   | Runner Assembly (Curb Side)          |
| 5    | 39635002              | 1   | Runner Assembly (Curb Side)          |
| 6    | 75086056              | 2   | 3/8"-16 x 1" Hex Head Screw          |
| 7    | 75085005              | 2   | 3/8"-16 Hex Nut, Serrated            |
| 8    | 39512000              | 2   | 3/8" Hinge Pin Casting               |
| 9    | 33070200              | 1   | 1/2" Torsion Bar (45-1/2" Decks)     |
|      | 33570230              |     | 1/2" Torsion Bar (54-1/2" Decks)     |
| 10   | 39035700 <sup>A</sup> | 4   | Plastic Slide Bearing                |
| 11   | 39035750 <sup>A</sup> | 2   | Plastic Slide Bearing                |
| 12   | 75086854 <sup>A</sup> | 28  | 1/4"-20 x 5/8" Self Tapping Screw    |
| 13   | 75089755              | 1   | Cam Release Spring                   |
| 14   | 75080102              | 1   | 5/16"-18 x 3-1/2" Eye Bolt           |
| 15   | 33540200              | 2   | Pin, Cam Follower                    |
| 16   | 34036701              | 2   | Polymer Roller                       |
| 17   | 39540100              | 1   | Cam Follower                         |
| 18   | 75088064              | 2   | Washer                               |
| 19   | 75089752              | 1   | Latch Spring                         |
| 20   | 39529791              | 1   | Latch Assembly                       |
| 21   | 39529715              | 1   | Latch                                |
| 22   | 75088056              | 2   | Washer                               |
| 23   | 33593105              | 1   | Latch Chain Assembly                 |
| 24   | 75084052              | 2   | 5/32" Dia. x 1" Cotter Pin           |
| 25   | 75085185              | 4   | 3/8" Nylok Nut                       |
| 26   | 39574221              | 1   | Support Chain (Street Side)          |
|      | 39574231              | 1   | Support Chain (Curb Side)            |
| 27   | 75089364              | 4   | Shackle                              |
| 28   | 75086063              | 4   | 3/8"-16 x 2" Stainless Steel Bolt    |
| 29   | 75085162              | 1   | 1/2"-13 Nylon Locknut                |
| 30   | 34029750              | 1   | Delrin Bushing                       |
| 31   | 75086108              | 1   | 1/2"-13 x 1-1/2" Grade 5 Bolt        |

| ITEM | PART NUMBER | QTY | DESCRIPTION |
|------|-------------|-----|-------------|
| 33   | 34427307    | 2   | Bearing     |

<sup>A</sup> Included in Slide Bearing Replacement Kit 80000931

# BOTTLE GAS PLATFORM ASSEMBLY



**WALTCO**  
**TRUCK EQUIPMENT CO.**  
**MDRRM-160C B.G.**

REVISED: 12/1/03  
 E.O. 5221  
 REV. 01

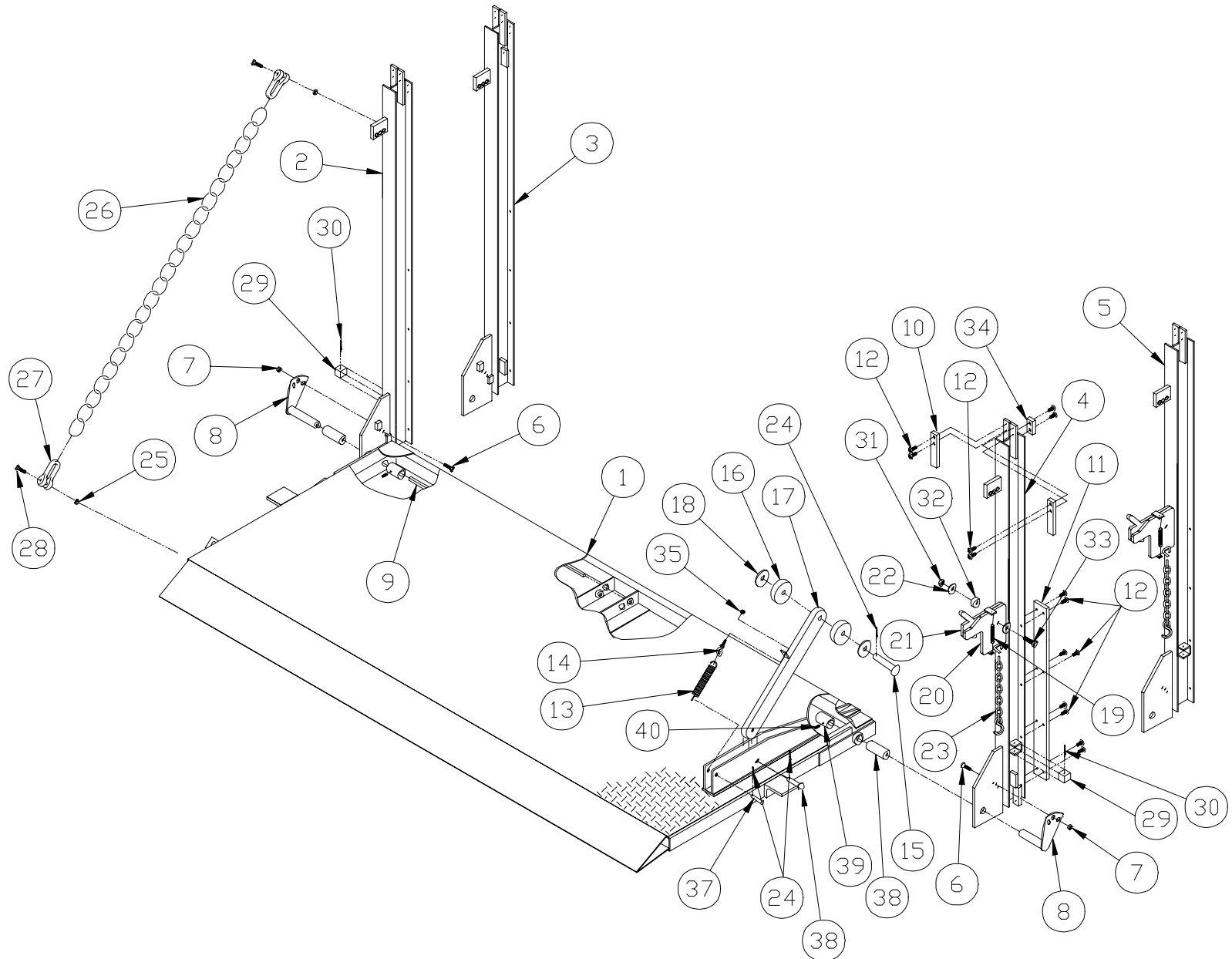
**PM-552C**

| ITEM | PART NUMBER           | QTY | DESCRIPTION                                |
|------|-----------------------|-----|--|
| 1    | 39510036              | 1   | 36" x 90" Bottle Gas Deck                  |
| 2    | 39515100              | 1   | 12" Steel Ramp Sub-Assembly                |
| 3    | 39559040              | 1   | Ramp Lock Pin Assembly                     |
| 4    | 39559200              | 1   | Curb Side Rear Guard Rail Assembly         |
| 5    | 39559282              | 4   | 11/32" Long Spacer                         |
| 6    | 39559281              | 2   | 1-17/32" Long Spacer                       |
| 7    | 39559280              | 2   | 1-1/16" Long Spacer                        |
| 8    | 39559263              | 2   | Rear Guard Pin Assembly                    |
| 9    | 75086175              | 2   | 3/8-16 x 1" Grade 5 Hex Bolt               |
| 10   | 75088053              | 2   | 3/8" x 1" x .078" thick Zinc Plated Washer |
| 11   | 75085193              | 2   | 3/8-16 Hex Lock Nut                        |
| 12   | 39559000              | 1   | Curb Side Guard Rail Assembly              |
| 13   | 75089305              | 4   | Grease Zerk                                |
| 14   | 75089557              | 2   | .25" x 1.5" Coil Pin                       |
| 15   | 36458501              | 2   | Lock Pin Assembly                          |
| 16   | 33520900              | 6   | Plug                                       |
| 17   | 75089756              | 2   | 1-1/4" x 4-3/4" Spring                     |
| 18   | 75088058              | 6   | 3/4" x 2" x .156" Thick Steel Flat Washer  |
| 19   | 75089549              | 6   | .25" x 1" Coil Pin                         |
| 20   | 39559260              | 2   | Upper Front Side Guard Pin                 |
| 21   | 39559105              | 2   | Side Rail Assembly                         |
| 22   | 39559261              | 2   | Side Guard Pin Assembly                    |
| 23   | 36458336              | 2   | 1/4" Plated Upper Chain                    |
| 24   | 36458236              | 2   | 1/4" Plated Lower Chain                    |
| 25   | 75085162              | 1   | 1/2-13 Lock Nut                            |
| 26   | 75088056              | 2   | 1/2" x 1-3/8" x .109" Zinc Plated Washer   |
| 27   | 34029750              | 1   | Spacer                                     |
| 28   | 75089752              | 1   | 1/2" x 3" Spring                           |
| 29   | 39529715              | 1   | Retainer Latch Assembly                    |
| 30   | 75086108              | 2   | 1/2-13 x 1.5" long Grade 5 Hex Bolt        |
| 31   | 75089364              | 4   | 5/16" Shackle                              |
| 32   | 75086006              | 2   | 1/4-20 x 1" long Grade 2 Hex Bolt          |
| 33   | 75088051              | 2   | 1/4" x 5/8" x .065" Zinc Plated Washer     |
| 34   | 34036750              | 2   | Rubber Pad                                 |
| 35   | 75086854 <sup>A</sup> | 28  | 1/4-20 x 5/8" Round Head Phillips Screw    |
| 36   | 39035700 <sup>A</sup> | 4   | Upper Runner Bearing                       |
| 37   | 34427307              | 2   | Shoe Assembly Bearing                      |
| 38   | 75085001              | 2   | 1/4-20 Serrated Hex Nut                    |
| 39   | 39530003              | 1   | Curb Side Runner Assembly 160CC B.G.       |
| 40   | 39035750 <sup>A</sup> | 2   | Lower Runner Bearing                       |

| ITEM | PART NUMBER | QTY | DESCRIPTION                               |
|------|-------------|-----|---|
| 41   | 75084052    | 2   | 5/32" x 1" Cotter Pin                     |
| 42   | 33540200    | 1   | Cam Follower Pin                          |
| 43   | 75085005    | 2   | 3/8-16 Serrated Hex Nut                   |
| 44   | 39010800    | 1   | Hinge Pin Stainless Steel No Broach       |
| 45   | 39540225    | 1   | 5/8" x 3" long Clevis Pin                 |
| 46   | 39011800    | 1   | 9/16" Broach Torsion Bar Adapter          |
| 47   | 34070220    | 1   | 9/16" Torsion Bar                         |
| 48   | 75086056    | 2   | 3/8-16 x 1" Grade 5 Hex Screw             |
| 49   | 75081225    | 1   | Bushing                                   |
| 50   | 33570230    | 1   | 1/2" Torsion Bar                          |
| 51   | 75089755    | 1   | .75" x 7" Cam Release Spring              |
| 52   | 75080102    | 1   | 5/16-18 x 3.25" Eye Bolt                  |
| 53   | 75085003    | 1   | 5/16-18 Serrated Hex Nut                  |
| 54   | 39540100    | 1   | Cam Follower                              |
| 55   | 34036701    | 2   | 9/16" Roller                              |
| 56   | 75088064    | 2   | 5/8" x 1-5/16" x .095" Zinc Plated Washer |
| 57   | 39530053    | 1   | Driver Side Runner Assembly 160 CC BG     |
| 58   | 75084055    | 4   | 5/32" x 2.5" Cotter Pin                   |
| 59   | 33038810    | 4   | Plastic Block                             |
| 60   | 39512000    | 1   | .5" Hinge Pin                             |
| 61   | 10010142    | 4   | 1" x 1.25" x .75" Bearings                |
| 62   | 39559050    | 1   | Driver Side Guard Rail Assembly           |
| 63   | 39559250    | 1   | Driver Side Rear Guard Rail Assembly      |
| 64   | 75086057    | 4   | 3/8"-16 x 1-1/4" Bolt                     |
| 65   | 75086222    | 2   | 3/8"-16 x 1-3/4" Stainless Steel Bolt     |
| 66   | 75085185    | 2   | 3/8"-16 Nylon Locknut                     |

<sup>A</sup> Included in Slide Bearing Replacement Kit 80000931

# PLATFORM AND RUNNER ASSEMBLY



WALTCO  
TRUCK EQUIPMENT CO.  
MDR – 125 CC, 125AF CC

REVISED: 1/10/03  
E.O. 4943  
REV. 08

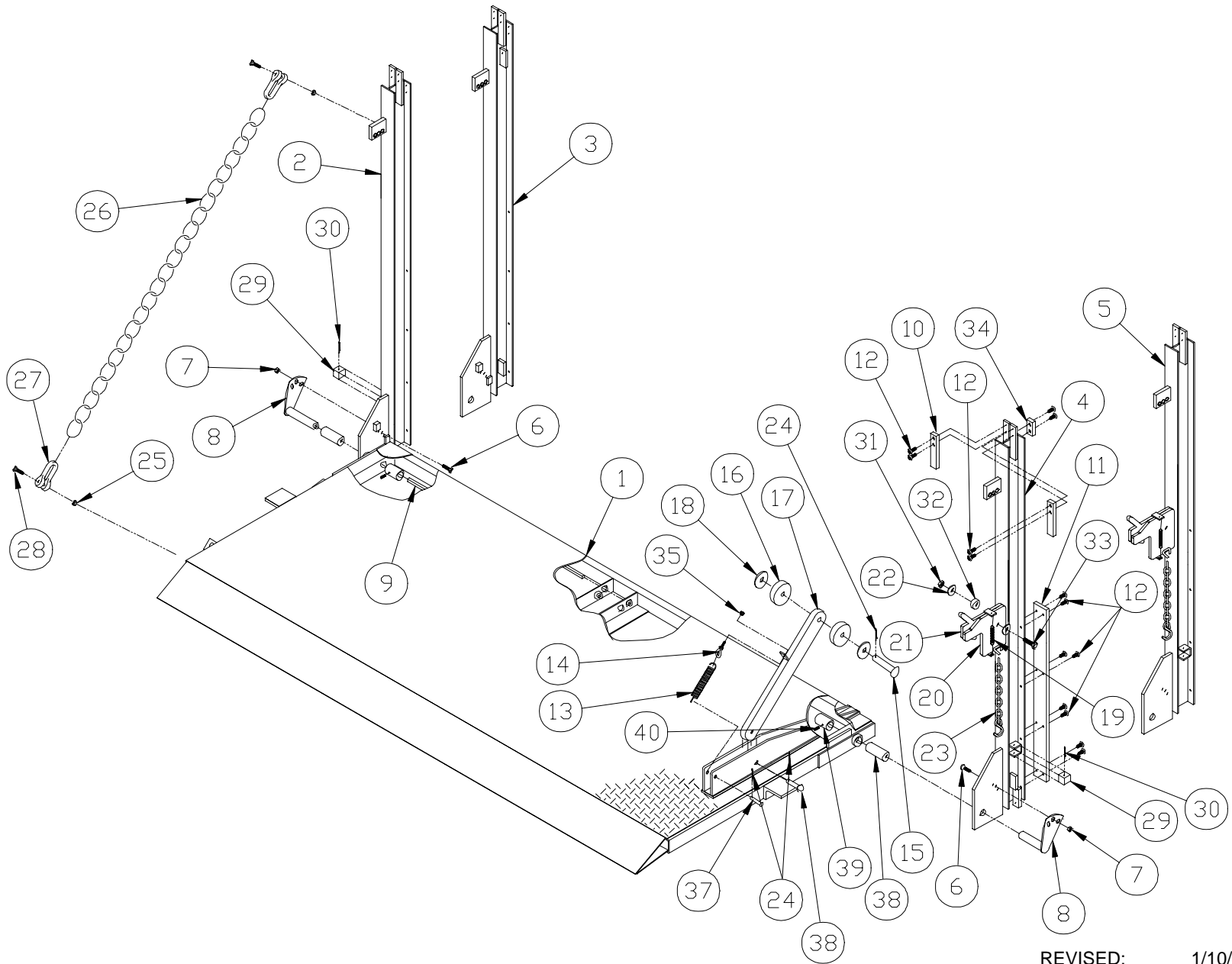
PM-465A

| ITEM | PART NUMBER           | QTY | DESCRIPTION                              |
|------|-----------------------|-----|--|
| 1    | 39511041              | 1   | 30 x 89 + 6 Deck Assembly                |
|      | 39511042              |     | 36 x 89 + 6 Deck Assembly                |
|      | 39511043              |     | 42 x 89 + 6 Deck Assembly                |
|      | 39511044              |     | 30 x 85 + 6 Deck Assembly                |
|      | 39511045              |     | 36 x 85 + 6 Deck Assembly                |
|      | 39511046              |     | 42 x 85 + 6 Deck Assembly                |
|      | 39511047              |     | 30 x 81 + 6 Deck Assembly                |
|      | 39511048              |     | 36 x 81 + 6 Deck Assembly                |
|      | 39511049              |     | 42 x 81 + 6 Deck Assembly                |
|      | 39611041              |     | 30 x 89 + 6 AF Deck Assembly             |
|      | 39611042              |     | 36 x 89 + 6 AF Deck Assembly             |
|      | 39611043              |     | 42 x 89 + 6 AF Deck Assembly             |
|      | 39611044              |     | 30 x 85 + 6 AF Deck Assembly             |
|      | 39611045              |     | 36 x 85 + 6 AF Deck Assembly             |
|      | 39611046              |     | 42 x 85 + 6 AF Deck Assembly             |
|      | 39611047              |     | 30 x 81 + 6 AF Deck Assembly             |
|      | 39611048              |     | 36 x 81 + 6 AF Deck Assembly             |
|      | 39611049              |     | 42 x 81 + 6 AF Deck Assembly             |
|      | 2                     |     | 39035052                                 |
| 3    | 39135052              | 1   | Runner Assembly (Driver's Side) 125AF    |
| 4    | 39035002              | 1   | Runner Assembly (Curb Side) 125          |
| 5    | 39135002              | 1   | Runner Assembly (Curb Side) 125AF        |
| 6    | 75086056              | 2   | 3/8"-16 x 1" Hex Head Screw              |
|      | 75085005              |     | 3/8"-16 Hex Nut, Serrated                |
| 8    | 39012000              | 2   | 3/8" Hinge Pin Casting (30" & 36" Decks) |
|      | 39512000              |     | 1/2" Hinge Pin Casting (42" Decks)       |
| 9    | 33570220              | 1   | Torsion Bar (30" Decks)                  |
|      | 33570200              |     | Torsion Bar (36" Decks)                  |
|      | 35270201              |     | Torsion Bar (42" Decks)                  |
| 10   | 39035700 <sup>A</sup> | 4   | Plastic Slide Bearing                    |
| 11   | 39035750 <sup>A</sup> | 2   | Plastic Slide Bearing                    |
| 12   | 75086854 <sup>A</sup> | 28  | 1/4"-20 x 5/8" Self Tapping Screw        |
| 13   | 75089755              | 1   | Cam Release Spring                       |
| 14   | 20252200              | 1   | 5/16"-18 x 3-1/2" Eye Bolt With Nut      |
| 15   | 33540200              | 1   | Pin, Cam Follower                        |
| 16   | 34036701              | 2   | Polymer Roller                           |
| 17   | 39540150              | 1   | Cam Follower                             |
| 18   | 75088064              | 2   | Washer                                   |
| 19   | 75089752              | 1   | Latch Spring                             |
| 20   | 39529791              | 1   | Latch Assembly                           |

| ITEM | PART NUMBER | QTY | DESCRIPTION                           |
|------|-------------|-----|---------------------------------------|
| 21   | 39529715    | 1   | Latch                                 |
| 22   | 75088056    | 2   | Washer                                |
| 23   | 33593105    | 1   | Latch Chain Assembly                  |
| 24   | 75084052    | 3   | 5/32" Dia. x 1" Cotter Pin            |
| 25   | 75085185    | 2   | 3/8" Nylok Nut (Optional)             |
| 26   | 39574201    | 1   | Support Chain (Optional)              |
| 27   | 75089364    | 2   | Shackle (Optional)                    |
| 28   | 75086222    | 2   | 3/8"-16 x 1-3/4" S.S. Bolt (Optional) |
| 29   | 33038810    | 2   | Polymer Block                         |
| 30   | 75084055    | 2   | 5/32" Dia. x 2-1/2" Cotter Pin        |
| 31   | 75085162    | 1   | 1/2"-13 Nylock Nut                    |
| 32   | 34029750    | 1   | Delrin Bushing                        |
| 33   | 75086108    | 1   | 1/2"-13 x 1-1/2" Lg. Grade 5 Bolt     |
| 34   | 34427307    | 2   | 1/2" X 1" X 2" Bearing                |
| 35   | 75085003    | 1   | 5/16"-18 Serrated Nut                 |
| 36   | 75089530    | 1   | 5/8" X 2" Clevis Pin                  |
| 37   | 75089536    | 1   | 3/8" X 1-3/4" Clevis Pin              |
| 38   | 10010170    | 2   | Polygon Bearing, 1" ID x 1-1/4" OD    |
| 39   | 39512010    | 2   | Collar                                |
| 40   | 75086869    | 2   | Set Screw, #10-32 x 5/8" lg.          |

<sup>A</sup> Included in Slide Bearing Replacement Kit 80000931

**PLATFORM ASSEMBLY**



**WALTCO  
TRUCK EQUIPMENT CO.  
MDR – 160 CC, 160AF CC**

REVISED: 1/10/03  
E.O. 4943  
REV. 08

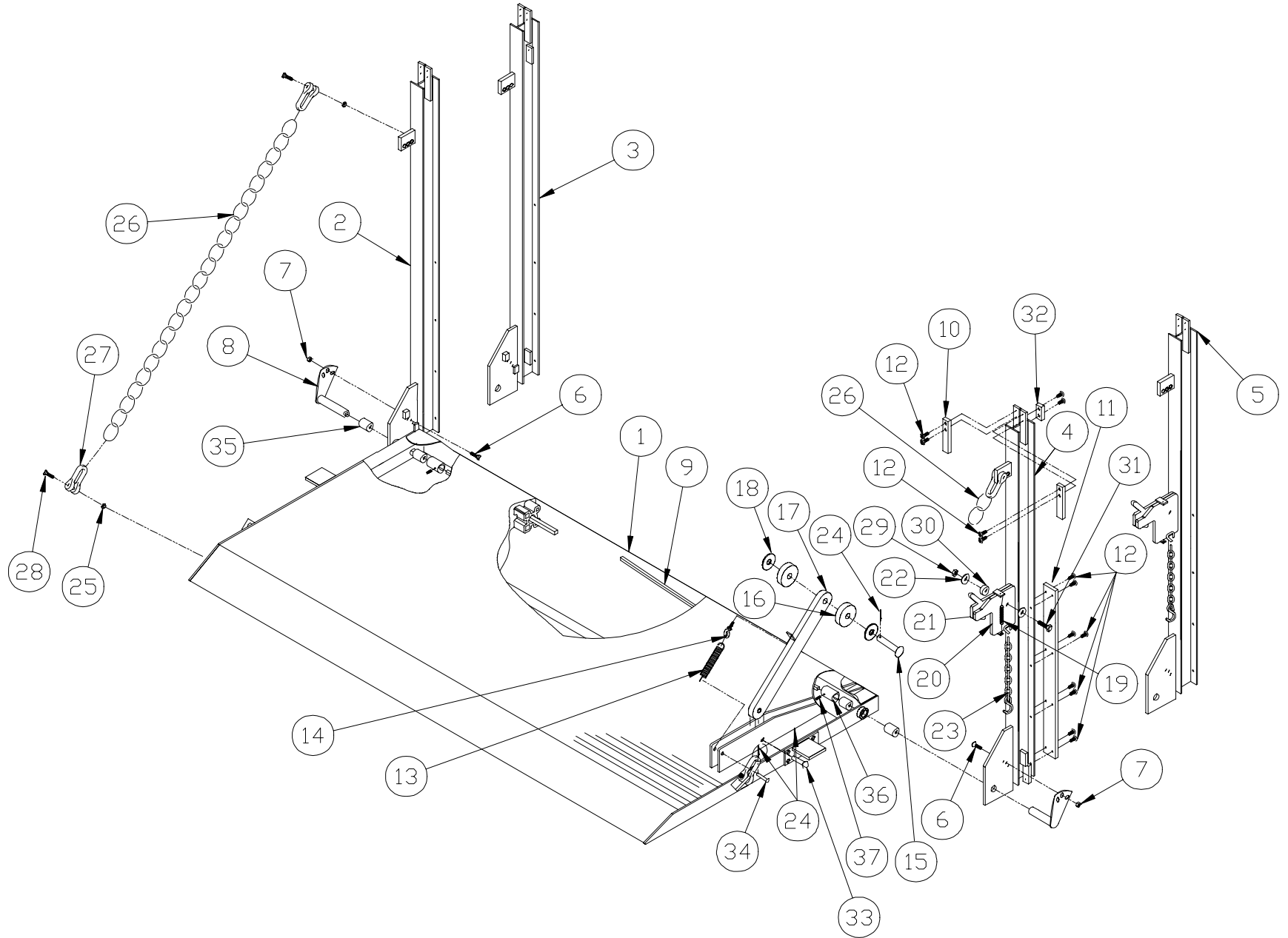
**PM-466A**

| ITEM | PART NUMBER           | QTY | DESCRIPTION                              |
|------|-----------------------|-----|--|
| 1    | 39511041              | 1   | 30 x 89 + 6 Deck Assembly                |
|      | 39511042              |     | 36 x 89 + 6 Deck Assembly                |
|      | 39511043              |     | 42 x 89 + 6 Deck Assembly                |
|      | 39511044              |     | 30 x 85 + 6 Deck Assembly                |
|      | 39511045              |     | 36 x 85 + 6 Deck Assembly                |
|      | 39511046              |     | 42 x 85 + 6 Deck Assembly                |
|      | 39511047              |     | 30 x 81 + 6 Deck Assembly                |
|      | 39511048              |     | 36 x 81 + 6 Deck Assembly                |
|      | 39511049              |     | 42 x 81 + 6 Deck Assembly                |
|      | 39611041              |     | 30 x 89 + 6 AF Deck Assembly             |
|      | 39611042              |     | 36 x 89 + 6 AF Deck Assembly             |
|      | 39611043              |     | 42 x 89 + 6 AF Deck Assembly             |
|      | 39611044              |     | 30 x 85 + 6 AF Deck Assembly             |
|      | 39611045              |     | 36 x 85 + 6 AF Deck Assembly             |
|      | 39611046              |     | 42 x 85 + 6 AF Deck Assembly             |
|      | 39611047              |     | 30 x 81 + 6 AF Deck Assembly             |
|      | 39611048              |     | 36 x 81 + 6 AF Deck Assembly             |
|      | 39611049              |     | 42 x 81 + 6 AF Deck Assembly             |
|      | 2                     |     | 39035052                                 |
| 3    | 39135052              | 1   | Runner Assembly (Driver's Side)          |
| 4    | 39035002              | 1   | Runner Assembly (Curb Side)              |
| 5    | 39135002              | 1   | Runner Assembly (Curb Side)              |
| 6    | 75086056              | 2   | 3/8"-16 x 1" Hex Head Screw              |
|      | 75085005              |     | 3/8"-16 Hex Nut, Serrated                |
| 8    | 39012000              | 2   | 3/8" Hinge Pin Casting (30" & 36" Decks) |
|      | 39512000              |     | 1/2" Hinge Pin Casting (42" Decks)       |
| 9    | 33670200              | 1   | Torsion Bar (30" Decks)                  |
|      | 33570200              |     | Torsion Bar (36" Decks)                  |
|      | 35270201              |     | Torsion Bar (42" Decks)                  |
| 10   | 39035700 <sup>A</sup> | 4   | Plastic Slide Bearing                    |
| 11   | 39035750 <sup>A</sup> | 2   | Plastic Slide Bearing                    |
| 12   | 75086854 <sup>A</sup> | 28  | 1/4"-20 x 5/8" Self Tapping Screw        |
| 13   | 75089755              | 1   | Cam Release Spring                       |
| 14   | 20225200              | 1   | 5/16"-18 x 3-1/2" Eye Bolt With Nut      |
| 15   | 33540200              | 1   | Pin, Cam Follower                        |
| 16   | 34036701              | 2   | Polymer Roller                           |
| 17   | 39540150              | 1   | Cam Follower                             |
| 18   | 75088064              | 2   | Washer                                   |
| 19   | 75089752              | 1   | Latch Spring                             |
| 20   | 39529791              | 1   | Latch Assembly                           |

| ITEM | PART NUMBER | QTY | DESCRIPTION                           |
|------|-------------|-----|---------------------------------------|
| 21   | 39529715    | 1   | Latch                                 |
| 22   | 75088056    | 2   | Washer                                |
| 23   | 33593105    | 1   | Latch Chain Assembly                  |
| 24   | 75084052    | 1   | 5/32" Dia. x 1" Cotter Pin            |
| 25   | 75085185    | 2   | 3/8" Nylok Nut (Optional)             |
| 26   | 39574201    | 1   | Support Chain (Optional)              |
| 27   | 75089364    | 2   | Shackle (Optional)                    |
| 28   | 75086222    | 2   | 3/8"-16 x 1-3/4" S.S. Bolt (Optional) |
| 29   | 33038810    | 2   | Polymer Block                         |
| 30   | 75084055    | 2   | 5/32" Dia. x 2-1/2" Cotter Pin        |
| 31   | 75085162    | 1   | 1/2"-13 Nylock Nut                    |
| 32   | 34029750    | 1   | Delrin Bushing                        |
| 33   | 75086108    | 1   | 1/2"-13 x 1-1/2" Lg. Grade 5 Bolt     |
| 34   | 34427307    | 2   | Bearing, 1/2" X 1" X 2"               |
| 35   | 75085003    | 1   | 5/16"-18 Serrated Nut                 |
| 36   | 75089530    | 1   | 5/8" X 2" Clevis Pin                  |
| 37   | 75089536    | 1   | 3/8" X 1-3/4" Clevis Pin              |
| 38   | 10010170    | 2   | Polygon Bearing, 1" ID x 1-1/4" OD    |
| 39   | 39512010    | 2   | Collar                                |
| 40   | 75086869    | 2   | Set Screw, #10-32 x 5/8" lg.          |

<sup>A</sup> Included in Slide Bearing Replacement Kit 80000931.

**PLATFORM ASSEMBLY**



**WALTCO  
TRUCK EQUIPMENT CO.  
MDR – 160 CC, ALUMINUM PLATFORM**

REVISED: 1/10/03  
E.O. 4943  
REV. 06

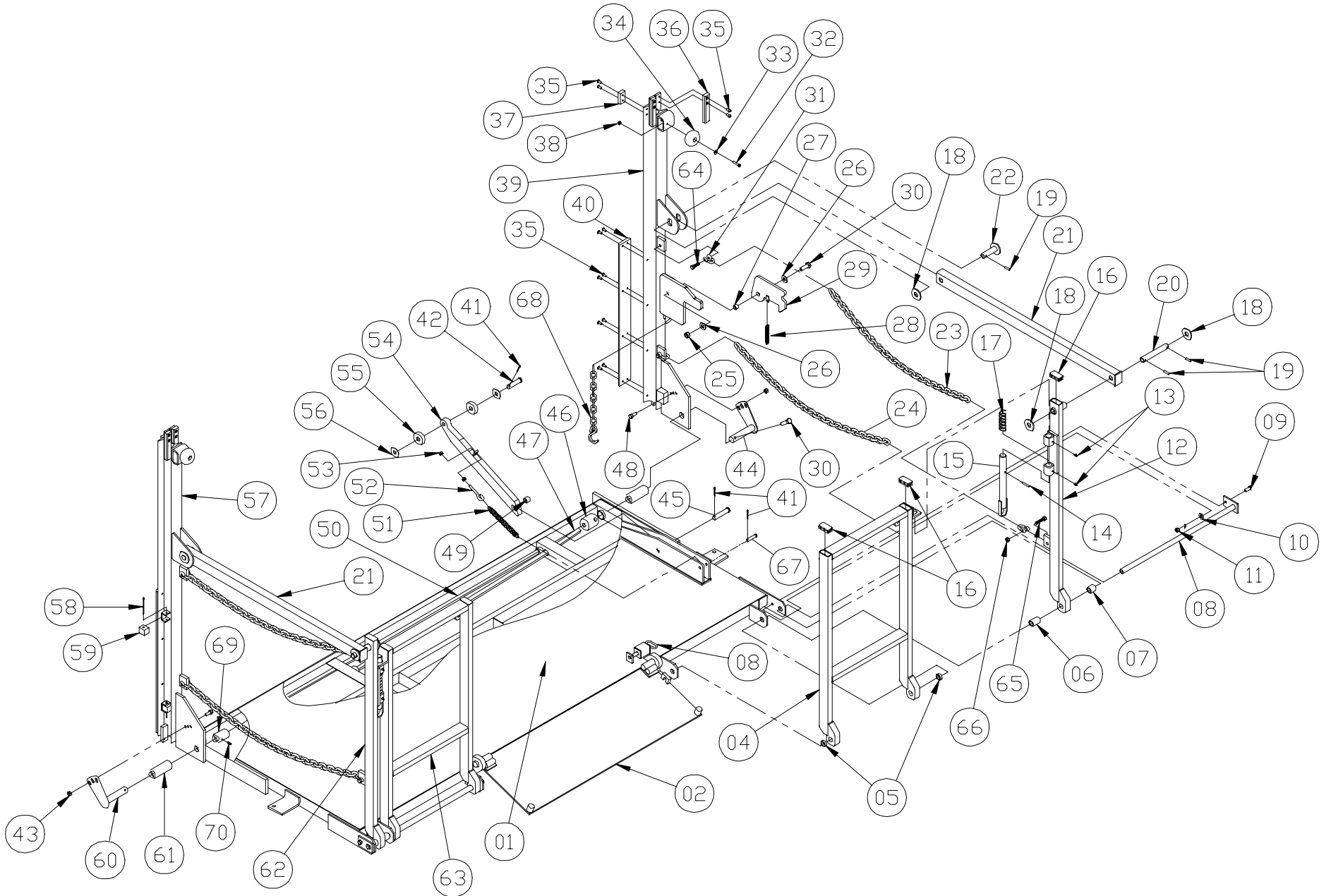
**PM-545**

| ITEM | PART NUMBER           | QTY | DESCRIPTION                          |
|------|-----------------------|-----|--------------------------------------|
| 1    | 39511053              | 1   | 45-1/2" x 89-1/2" + 9" Deck Assembly |
|      | 39511054              |     | 54-1/2" x 89-1/2" + 9" Deck Assembly |
|      | 39511057              |     | 45-1/2" x 85-1/2" + 9" Deck Assembly |
|      | 39511058              |     | 54-1/2" x 85-1/2" + 9" Deck Assembly |
|      | 39511061              |     | 45-1/2" x 81-1/2" + 9" Deck Assembly |
|      | 39511062              |     | 54-1/2" x 81-1/2" + 9" Deck Assembly |
| 2    | 39035052              | 1   | Runner Assembly (Driver's Side)      |
| 3    | 39135052              | 1   | Runner Assembly (Driver's Side)      |
| 4    | 39035002              | 1   | Runner Assembly (Curb Side)          |
| 5    | 39135002              | 1   | Runner Assembly (Curb Side)          |
| 6    | 75086056              | 2   | 3/8"-16 x 1" Hex Head Screw          |
| 7    | 75085005              | 2   | 3/8"-16 Hex Nut, Serrated            |
| 8    | 39512000              | 2   | 3/8" Hinge Pin Casting               |
| 9    | 33070200              | 1   | 1/2" Torsion Bar (45-1/2" Decks)     |
|      | 33570230              |     | 1/2" Torsion Bar (54-1/2" Decks)     |
| 10   | 39035700 <sup>A</sup> | 4   | Plastic Slide Bearing                |
| 11   | 39035750 <sup>A</sup> | 2   | Plastic Slide Bearing                |
| 12   | 75086854 <sup>A</sup> | 28  | 1/4"-20 x 5/8" Self Tapping Screw    |
| 13   | 75089755              | 1   | Cam Release Spring                   |
| 14   | 75080102              | 1   | 5/16"-18 x 3-1/2" Eye Bolt           |
| 15   | 34040215              | 1   | Pin, Cam Follower, S.S.              |
| 16   | 34036701              | 2   | Polymer Roller                       |
| 17   | 39540150              | 1   | Cam Follower                         |
| 18   | 75088064              | 2   | Washer                               |
| 19   | 75089752              | 1   | Latch Spring                         |
| 20   | 39529791              | 1   | Latch Assembly                       |
| 21   | 39529715              | 1   | Latch                                |
| 22   | 75088056              | 2   | Washer                               |
| 23   | 33593105              | 1   | Latch Chain Assembly                 |
| 24   | 75084052              | 3   | 5/32" Dia. x 1" Cotter Pin           |
| 25   | 75085185              | 4   | 3/8" Nylok Nut                       |
| 26   | 39574221              | 1   | Support Chain MDR AP Driver Side     |
|      | 39574231              |     | Support Chain MDR AP CC Curb Side    |
| 27   | 75089364              | 4   | Shackle                              |
| 28   | 75086222              | 4   | 3/8"-16 x 1-3/4" S.S. Bolt           |
| 29   | 75085162              | 1   | 1/2"-13 Nylok Nut                    |
| 30   | 34029750              | 1   | Delrin Bushing                       |
| 31   | 75086108              | 1   | 1/2"-13 x 1-1/2" Lg. Grade 5 Bolt    |

| ITEM | PART NUMBER | QTY | DESCRIPTION                        |
|------|-------------|-----|------------------------------------|
| 32   | 34427307    | 2   | Bearing, 1/2" X 1" X 2"            |
| 33   | 34040210    | 1   | Pin, S.S., Cam Follower            |
| 34   | 75089536    | 1   | 3/8" x 1-3/4" Lg. Clevis Pin       |
| 35   | 10010142    | 4   | Polygon Bearing, 1" ID x 1-1/4" OD |
| 36   | 39512010    | 2   | Collar                             |
| 37   | 75086869    | 2   | Set Screw, #10-32 x 5/8" lg.       |

<sup>A</sup> Included in Slide Bearing Replacement Kit 80000931.

# BOTTLE GAS PLATFORM ASSEMBLY



**WALTCO  
TRUCK EQUIPMENT CO.  
MDR – 160 CC B.G.**

REVISED: 1/10/03  
E.O. 4943  
REV. 05

**PM-552**

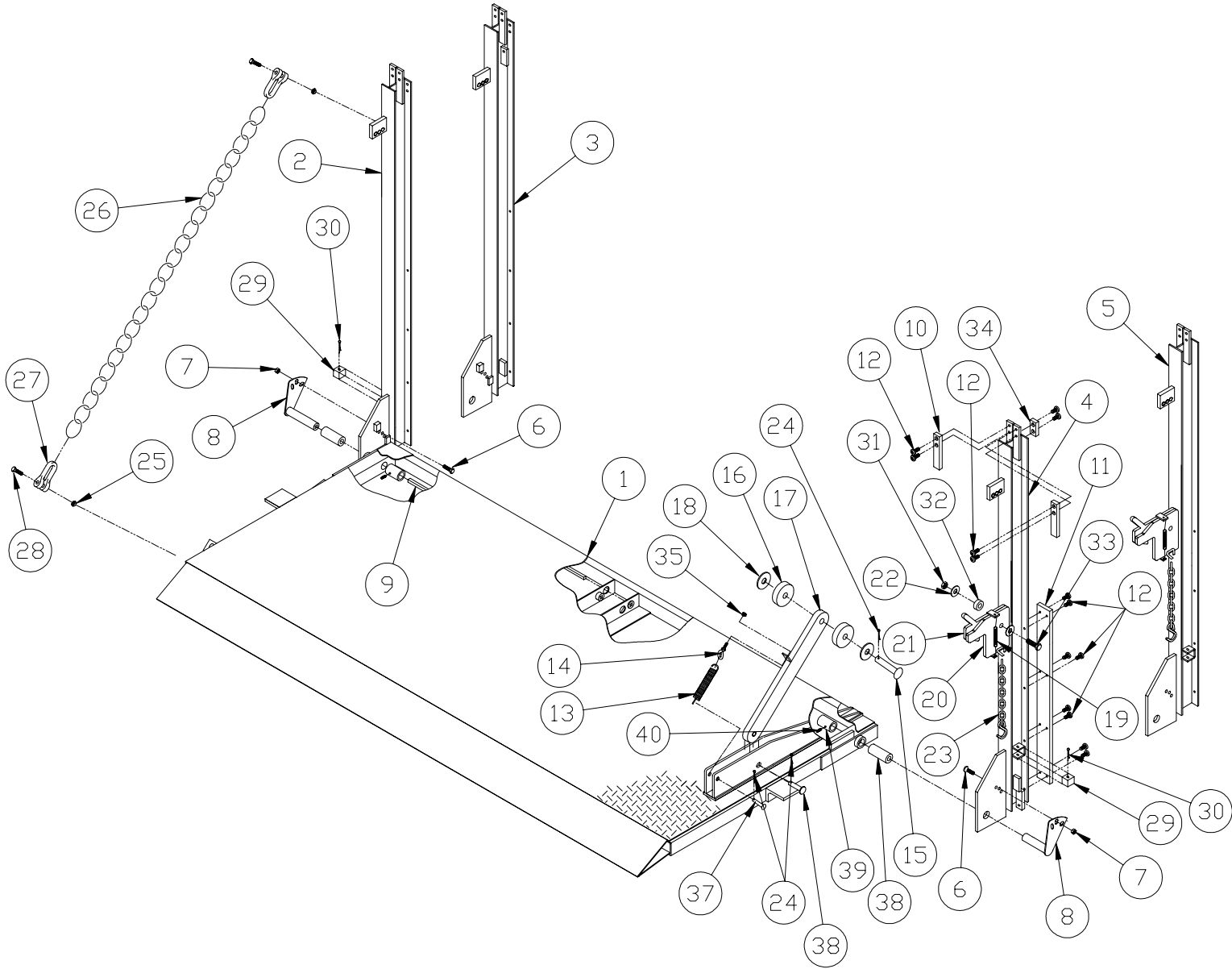
| ITEM | PART NUMBER           | QTY | DESCRIPTION                                |
|------|-----------------------|-----|--|
| 01   | 39510036              | 1   | 36" x 90" Bottle Gas Deck                  |
| 02   | 39515100              | 1   | 12" Steel Ramp Sub-Assembly                |
| 03   | 39559040              | 1   | Ramp Lock Pin Assembly                     |
| 04   | 39559200              | 1   | Curb Side Rear Guard Rail Assembly         |
| 05   | 39559282              | 4   | 11/32" Long Spacer                         |
| 06   | 39559281              | 2   | 1-17/32" Long Spacer                       |
| 07   | 39559280              | 2   | 1-1/16" Long Spacer                        |
| 08   | 39559263              | 2   | Rear Guard Pin Assembly                    |
| 09   | 75086175              | 2   | 3/8-16 x 1" Grade 5 Hex Bolt               |
| 10   | 75088053              | 2   | 3/8" x 1" x .078" thick Zinc Plated Washer |
| 11   | 75085193              | 2   | 3/8-16 Hex Lock Nut                        |
| 12   | 39559000              | 1   | Curb Side Guard Rail Assembly              |
| 13   | 75089305              | 4   | Grease Zerk                                |
| 14   | 75089557              | 2   | .25" x 1.5" Coil Pin                       |
| 15   | 36458501              | 2   | Lock Pin Assembly                          |
| 16   | 33520900              | 6   | Plug                                       |
| 17   | 75089756              | 2   | 1-1/4" x 4-3/4" Spring                     |
| 18   | 75088058              | 6   | 3/4" x 2" x .156" Thick Steel Flat Washer  |
| 19   | 75089549              | 6   | .25" x 1" Coil Pin                         |
| 20   | 39559260              | 2   | Upper Front Side Guard Pin                 |
| 21   | 39559105              | 2   | Side Rail Assembly                         |
| 22   | 39559261              | 2   | Side Guard Pin Assembly                    |
| 23   | 36458336              | 2   | 1/4" Plated Upper Chain                    |
| 24   | 36458236              | 2   | 1/4" Plated Lower Chain                    |
| 25   | 75085162              | 1   | 1/2-13 Lock Nut                            |
| 26   | 75088056              | 2   | 1/2" x 1-3/8" x .109" Zinc Plated Washer   |
| 27   | 34029750              | 1   | Spacer                                     |
| 28   | 75089752              | 1   | 1/2" x 3" Spring                           |
| 29   | 39529715              | 1   | Retainer Latch Assembly                    |
| 30   | 75086108              | 2   | 1/2-13 x 1.5" long Grade 5 Hex Bolt        |
| 31   | 75089364              | 6   | 5/16" Shackle                              |
| 32   | 75086006              | 2   | 1/4-20 x 1" long Grade 2 Hex Bolt          |
| 33   | 75088051              | 2   | 1/4" x 5/8" x .065" Zinc Plated Washer     |
| 34   | 34036750              | 2   | Rubber Pad                                 |
| 35   | 75086854 <sup>A</sup> | 28  | 1/4-20 x 5/8" Round Head Phillips Screw    |
| 36   | 39035700 <sup>A</sup> | 4   | Upper Runner Bearing                       |
| 37   | 34427307              | 2   | Shoe Assembly Bearing                      |
| 38   | 75085001              | 2   | 1/4-20 Serrated Hex Nut                    |
| 39   | 39035003              | 1   | Curb Side Runner Assembly 160CC B.G.       |
| 40   | 39035750 <sup>A</sup> | 2   | Lower Runner Bearing                       |

| ITEM | PART NUMBER | QTY | DESCRIPTION                               |
|------|-------------|-----|---|
| 41   | 75084052    | 3   | 5/32" x 1" Cotter Pin                     |
| 42   | 33540200    | 1   | Cam Follower Pin                          |
| 43   | 75085005    | 2   | 3/8-16 Serrated Hex Nut                   |
| 44   | 39010800    | 1   | Hinge Pin Stainless Steel No Broach       |
| 45   | 75089530    | 1   | 5/8" x 2" long Clevis Pin                 |
| 46   | 39011900    | 1   | 9/16" Broach Torsion Bar Adapter          |
| 47   | 34070220    | 1   | 9/16" Torsion Bar                         |
| 48   | 75086056    | 2   | 3/8-16 x 1" Grade 5 Hex Screw             |
| 49   | 75081225    | 1   | Bushing                                   |
| 50   | 33570230    | 1   | 1/2" Torsion Bar                          |
| 51   | 75089755    | 1   | .75" x 7" Cam Release Spring              |
| 52   | 75080102    | 1   | 5/16-18 x 3.25" Eye Bolt                  |
| 53   | 75085003    | 1   | 5/16-18 Serrated Hex Nut                  |
| 54   | 39540150    | 1   | Cam Follower                              |
| 55   | 34036701    | 2   | 9/16" Roller                              |
| 56   | 75088064    | 2   | 5/8" x 1-5/16" x .095" Zinc Plated Washer |
| 57   | 39035053    | 1   | Driver Side Runner Assembly 160 CC BG     |
| 58   | 75084055    | 4   | 5/32" x 2.5" Cotter Pin                   |
| 59   | 33038810    | 4   | Plastic Block                             |
| 60   | 39512000    | 1   | .5" Hinge Pin                             |
| 61   | 10010170    | 2   | 1" x 1.25" x 2.50" Bearings               |
| 62   | 39559050    | 1   | Driver Side Guard Rail Assembly           |
| 63   | 39559250    | 1   | Driver Side Rear Guard Rail Assembly      |
| 64   | 75086057    | 4   | 3/8"-16 x 1-1/4" Bolt                     |
| 65   | 75086222    | 2   | 3/8"-16 x 1-3/4" S.S. Bolt                |
| 66   | 75085185    | 2   | 3/8"-16 Nylok Nut                         |
| 67   | 75089536    | 1   | 3/8" x 1-3/4" long Clevis Pin             |
| 68   | 33593105    | 1   | Latch Chain Assembly                      |
| 69   | 39512010    | 1   | Collar                                    |
| 70   | 75086869    | 1   | Set Screw, #10-32 x 5/8" Lg.              |

<sup>A</sup> Included in Slide Bearing Replacement Kit 80000931.



# PLATFORM AND RUNNER ASSEMBLY



**WALTCO**

**TRUCK EQUIPMENT CO.**

**MDR – 125 CC, 125AF CC, 160 CC, 160 AF CC**

REVISED: 7/11/03  
E.O. 3727R  
REV. 01

**PM-465E**

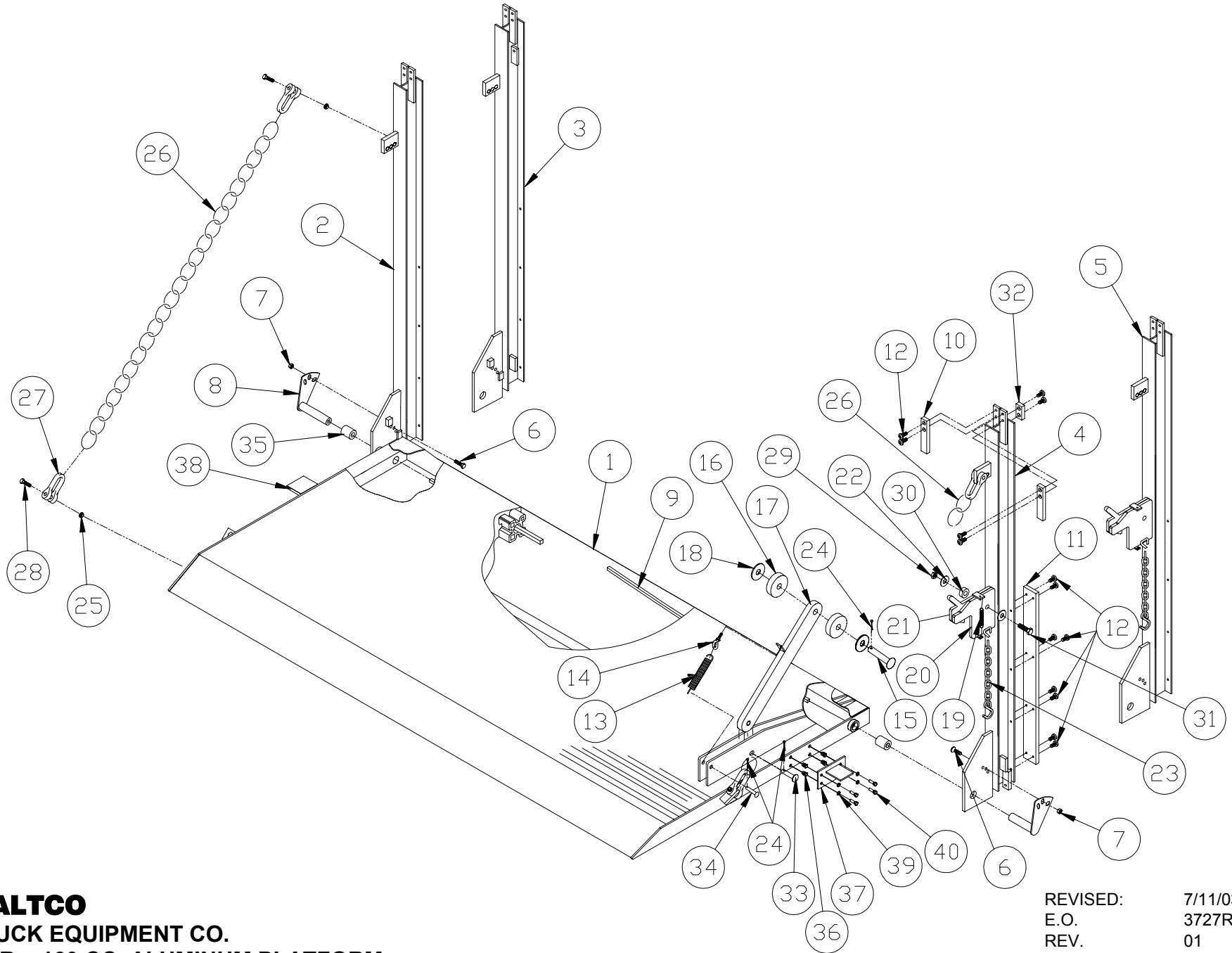
| ITEM | PART NUMBER           | QTY | DESCRIPTION  |
|------|-----------------------|-----|--|
| 1    | 39511141              | 1   | 30 x 89 + 6 Deck Assembly  |
|      | 39511142              |     | 36 x 89 + 6 Deck Assembly  |
|      | 39511143              |     | 42 x 89 + 6 Deck Assembly  |
|      | 39511144              |     | 30 x 85 + 6 Deck Assembly  |
|      | 39511145              |     | 36 x 85 + 6 Deck Assembly  |
|      | 39511146              |     | 42 x 85 + 6 Deck Assembly  |
|      | 39511147              |     | 30 x 81 + 6 Deck Assembly  |
|      | 39511148              |     | 36 x 81 + 6 Deck Assembly  |
|      | 39511149              |     | 42 x 81 + 6 Deck Assembly  |
|      | 39611141              |     | 30 x 89 + 6 AF Deck Assembly   |
|      | 39611142              |     | 36 x 89 + 6 AF Deck Assembly   |
|      | 39611143              |     | 42 x 89 + 6 AF Deck Assembly   |
|      | 39611144              |     | 30 x 85 + 6 AF Deck Assembly   |
|      | 39611145              |     | 36 x 85 + 6 AF Deck Assembly   |
|      | 39611146              |     | 42 x 85 + 6 AF Deck Assembly   |
|      | 39611147              |     | 30 x 81 + 6 AF Deck Assembly   |
|      | 39611148              |     | 36 x 81 + 6 AF Deck Assembly   |
|      | 39611149              |     | 42 x 81 + 6 AF Deck Assembly   |
|      | 2                     |     | 39035052   |
| 3    | 39135052              | 1   | Runner Assembly (Driver's Side) AF   |
| 4    | 39035002              | 1   | Runner Assembly (Curb Side)  |
| 5    | 39135002              | 1   | Runner Assembly (Curb Side) AF   |
| 6    | 75086056              | 2   | 3/8"-16 x 1" Hex Head Screw  |
|      | 75085005              |     | 3/8"-16 Hex Nut, Serrated  |
| 8    | 39012000              | 2   | 3/8" Hinge Pin Casting<br>(30" Deep – Driver Side)<br>(36" Deep – Driver Side)                                     |
|      |                       |     | 1/2" Hinge Pin Casting<br>(30" Deep – Curb Side)<br>(36" Deep – Curb Side)<br>(42" Deep – Curb Side & Driver Side) |
|      |                       |     | 39512000   |
| 9    | 33670200              | 1   | Torsion Bar (30" Deep – Driver Side)   |
|      | 33570200              |     | Torsion Bar (36" Deep – Driver Side)   |
|      | 35270201              |     | Torsion Bar (42" Deep – Curb Side)   |
| 10   | 39035700 <sup>A</sup> | 4   | Plastic Slide Bearing  |
| 11   | 39035750 <sup>A</sup> | 2   | Plastic Slide Bearing  |
| 12   | 75086854 <sup>A</sup> | 28  | 1/4"-20 x 5/8" Self Tapping Screw  |
| 13   | 75089755              | 1   | Cam Release Spring   |
| 14   | 20252200              | 1   | 5/16"-18 x 3-1/2" Eye Bolt With Nut  |
| 15   | 39540230 <sup>B</sup> | 1   | Pin, Cam Follower  |

| ITEM | PART NUMBER           | QTY | DESCRIPTION                           |
|------|-----------------------|-----|---------------------------------------|
| 16   | 34036701 <sup>B</sup> | 2   | Polymer Roller                        |
| 17   | 39540250 <sup>B</sup> | 1   | Cam Follower                          |
| 18   | 75088064 <sup>B</sup> | 3   | Washer                                |
| 19   | 75089752              | 1   | Latch Spring                          |
| 20   | 39529791              | 1   | Latch Assembly                        |
| 21   | 39529715              | 1   | Latch                                 |
| 22   | 75088056              | 2   | Washer                                |
| 23   | 33593105              | 1   | Latch Chain Assembly                  |
| 24   | 75084052 <sup>B</sup> | 3   | 5/32" Dia. x 1" Cotter Pin            |
| 25   | 75085185              | 2   | 3/8" Nylok Nut (Optional)             |
| 26   | 39574201              | 1   | Support Chain (Optional)              |
| 27   | 75089364              | 2   | Shackle (Optional)                    |
| 28   | 75086222              | 2   | 3/8"-16 x 1-3/4" S.S. Bolt (Optional) |
| 29   | 33038810              | 2   | Polymer Block                         |
| 30   | 75084055              | 2   | 5/32" Dia. x 2-1/2" Cotter Pin        |
| 31   | 75085162              | 1   | 1/2"-13 Nylock Nut                    |
| 32   | 34029750              | 1   | Delrin Bushing                        |
| 33   | 75086108              | 1   | 1/2"-13 x 1-1/2" Lg. Grade 5 Bolt     |
| 34   | 34427307              | 2   | 1/2" X 1" X 2" Bearing                |
| 35   | 75085003              | 1   | 5/16"-18 Serrated Nut                 |
| 36   | 75089530              | 1   | 5/8" Clevis Pin                       |
| 37   | 75089537              | 1   | 3/8" Clevis Pin                       |
| 38   | 10010170              | 2   | Polygon Bearing, 1" ID x 1-1/4" OD    |
| 39   | 39512010              | 2   | Collar                                |
| 40   | 75086869              | 2   | Set Screw, #10-32 x 5/8" lg.          |

<sup>A</sup> Included in Slide Bearing Replacement Kit 80000931

<sup>B</sup> Included in Cam Follower Assembly 39540755

# PLATFORM AND RUNNER ASSEMBLY



**WALTCO**  
**TRUCK EQUIPMENT CO.**  
**MDR – 160 CC, ALUMINUM PLATFORM**

REVISED: 7/11/03  
 E.O. 3727R  
 REV. 01

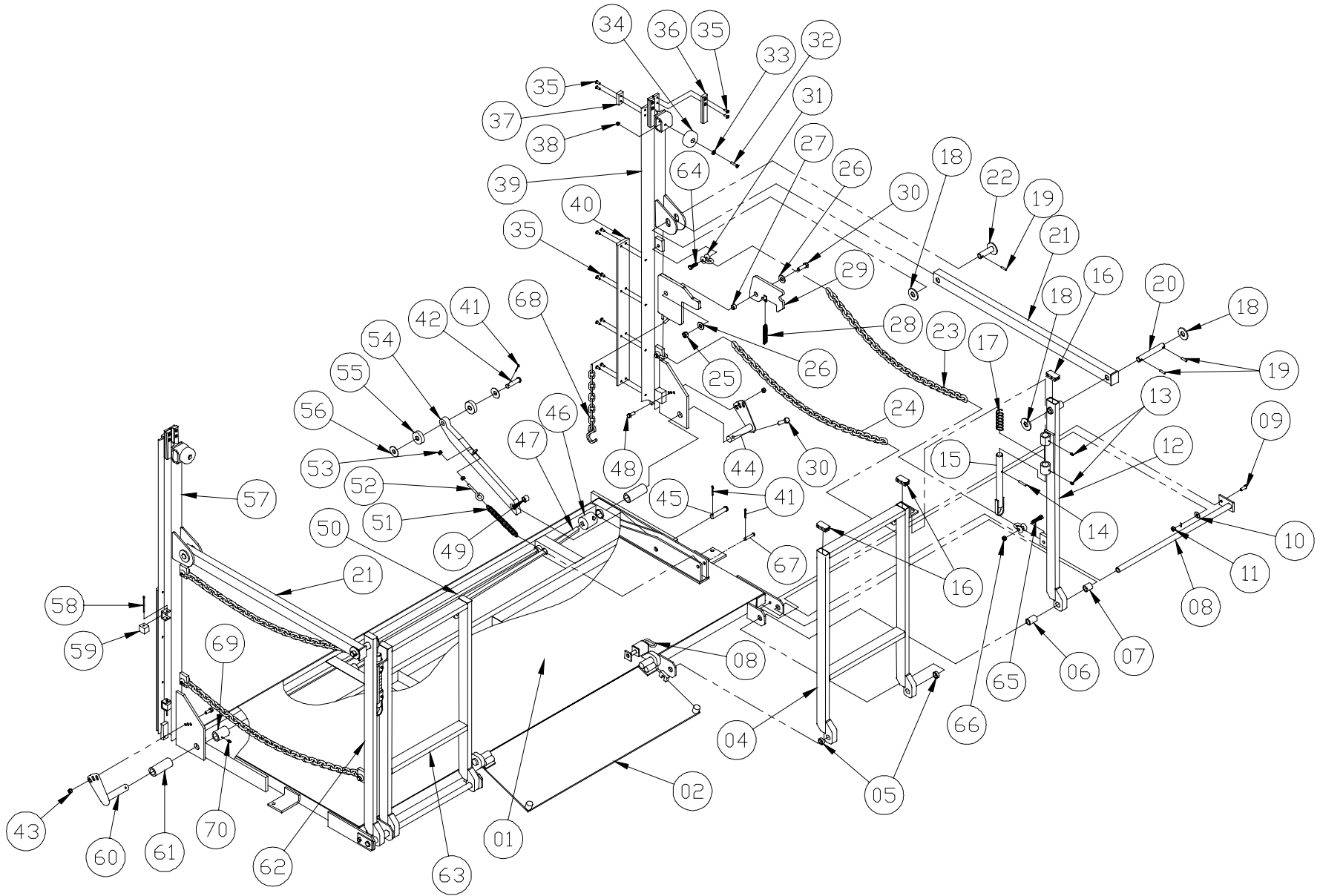
**PM-545C**

| ITEM | PART NUMBER           | QTY | DESCRIPTION  |
|------|-----------------------|-----|--|
| 1    | 39511094              | 1   | 45-1/2" x 89-1/2" + 9" Deck Assembly <sup>C</sup>  |
|      | 39511095              |     | 54-1/2" x 89-1/2" + 9" Deck Assembly <sup>D</sup>  |
|      | 39511084              |     | 45-1/2" x 85-1/2" + 9" Deck Assembly <sup>E</sup>  |
|      | 39511085              |     | 54-1/2" x 85-1/2" + 9" Deck Assembly <sup>F</sup>  |
|      | 39511074              |     | 45-1/2" x 81-1/2" + 9" Deck Assembly <sup>G</sup>  |
|      | 39511065              |     | 54-1/2" x 81-1/2" + 9" Deck Assembly <sup>H</sup>  |
| 2    | 39035052              | 1   | Runner Assembly (Driver's Side)  |
| 3    | 39135052              | 1   | Runner Assembly (Driver's Side)  |
| 4    | 39035002              | 1   | Runner Assembly (Curb Side)  |
| 5    | 39135002              | 1   | Runner Assembly (Curb Side)  |
| 6    | 75086056              | 2   | 3/8"-16 x 1" Hex Head Screw  |
|      | 75085005              |     | 3/8"-16 Hex Nut, Serrated  |
| 8    | 39012000              | 1   | 3/8" Hinge Pin Casting<br>(45-1/2" Deep – Curb Side)   |
|      | 39512000              |     | 1/2" Hinge Pin Casting<br>(45-1/2" Deep – Driver Side)<br>(54-1/2" Deep – Curb Side & Driver Side) |
| 9    | 33570200              | 1   | 3/8" Torsion Bar<br>(45-1/2" Deep – Curb Side)   |
|      | 33570230              |     | 1/2" Torsion Bar<br>(54-1/2" Deep – Curb Side)   |
| 10   | 39035700 <sup>A</sup> | 4   | Plastic Slide Bearing  |
| 11   | 39035750 <sup>A</sup> | 2   | Plastic Slide Bearing  |
| 12   | 75086854 <sup>A</sup> | 28  | 1/4"-20 x 5/8" Self Tapping Screw  |
| 13   | 75089755              | 1   | Cam Release Spring   |
| 14   | 75080102              | 1   | 5/16"-18 x 3-1/2" Eye Bolt   |
| 15   | 39540230 <sup>B</sup> | 1   | Pin, Cam Follower  |
| 16   | 34036701 <sup>B</sup> | 2   | Polymer Roller   |
| 17   | 39540250 <sup>B</sup> | 1   | Cam Follower   |
| 18   | 75088064 <sup>B</sup> | 3   | Washer   |
| 19   | 75089752              | 1   | Latch Spring   |
| 20   | 39529791              | 1   | Latch Assembly   |
| 21   | 39529715              | 1   | Latch  |
| 22   | 75088056              | 3   | Washer   |
| 23   | 33593105              | 1   | Latch Chain Assembly   |
| 24   | 75084052 <sup>B</sup> | 3   | 5/32" Dia. x 1" Cotter Pin   |
| 25   | 75085185              | 4   | 3/8" Nylok Nut   |
|      | 39574221              |     | Support Chain MDR AP Driver Side   |
| 26   | 39574231              | 1   | Support Chain MDR AP CC Curb Side  |
|      | 75089364              |     | Shackle  |

| ITEM | PART NUMBER           | QTY | DESCRIPTION                             |
|------|-----------------------|-----|---|
| 28   | 75086222              | 4   | 3/8"-16 x 1-3/4" S.S. Bolt              |
| 29   | 75085162              | 1   | 1/2"-13 Nylok Nut                       |
| 30   | 34029750              | 1   | Delrin Bushing                          |
| 31   | 75086108              | 1   | 1/2"-13 x 1-1/2" Lg. Grade 5 Bolt       |
| 32   | 34427307              | 2   | Bearing, 1/2" X 1" X 2"                 |
| 33   | 75089530              | 1   | 5/8" Clevis Pin                         |
| 34   | 75089537              | 1   | 3/8" Clevis Pin                         |
| 35   | 10010172 <sup>I</sup> | 2   | Polygon Bearing, 1" ID x 1-1/4" OD      |
| 36   | 75099249 <sup>I</sup> | 8   | 3/8"-16 Threaded Insert                 |
| 37   | 39511581 <sup>I</sup> | 1   | Platform Retainer Assembly, Curb Side   |
| 38   | 39511582 <sup>I</sup> | 1   | Platform Retainer Assembly, Driver Side |
| 39   | 75088254 <sup>I</sup> | 8   | 3/8" S.S. Lock Washer                   |
| 40   | 75087479 <sup>I</sup> | 8   | 3/8"-16 x 1-1/4" Lg. S.S. Hex Screw     |

- <sup>A</sup> Included in Slide Bearing Replacement Kit 80000931
- <sup>B</sup> Included in Cam Follower Assembly 39540755
- <sup>C & I</sup> Included in Platform Assembly 39510094
- <sup>D & I</sup> Included in Platform Assembly 39510095
- <sup>E & I</sup> Included in Platform Assembly 39510084
- <sup>F & I</sup> Included in Platform Assembly 39510085
- <sup>G & I</sup> Included in Platform Assembly 39510074
- <sup>H & I</sup> Included in Platform Assembly 39510075

# BOTTLE GAS PLATFORM ASSEMBLY



**WALTCO**  
**TRUCK EQUIPMENT CO.**  
**MDR – 160 CC B.G.**

REVISED: 7/11/03  
 E.O. 3727R  
 REV. 01

**PM-552B**

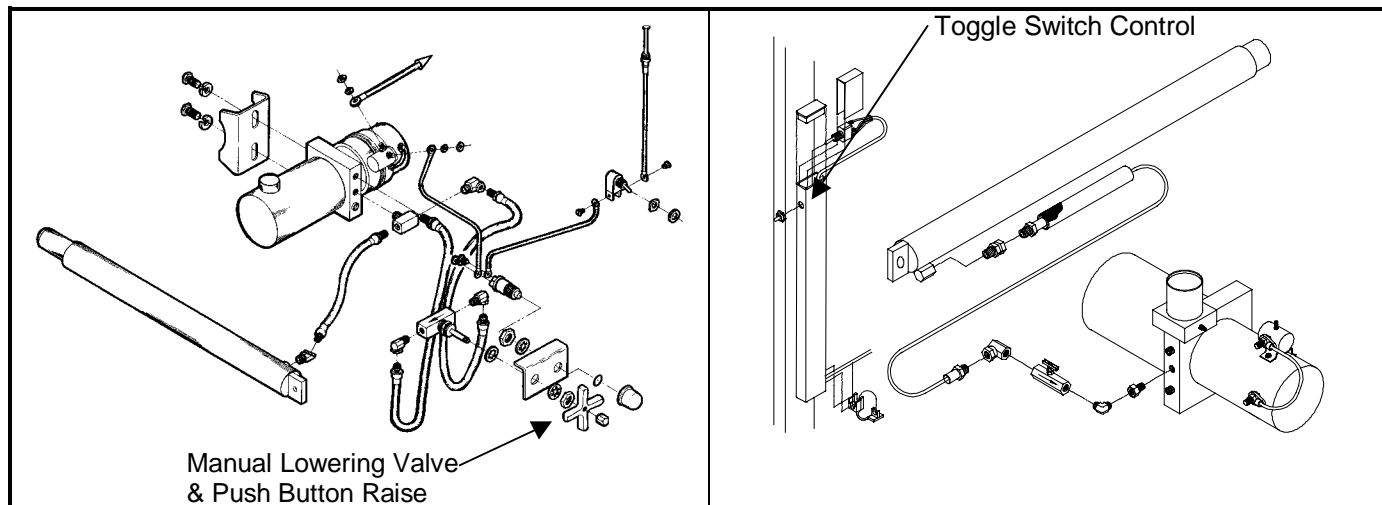
| ITEM | PART NUMBER           | QTY | DESCRIPTION                                |
|------|-----------------------|-----|--|
| 01   | 39510038              | 1   | 36" x 90" Bottle Gas Deck                  |
| 02   | 39515100              | 1   | 12" Steel Ramp Sub-Assembly                |
| 03   | 39559040              | 1   | Ramp Lock Pin Assembly                     |
| 04   | 39559200              | 1   | Curb Side Rear Guard Rail Assembly         |
| 05   | 39559282              | 4   | 11/32" Long Spacer                         |
| 06   | 39559281              | 2   | 1-17/32" Long Spacer                       |
| 07   | 39559280              | 2   | 1-1/16" Long Spacer                        |
| 08   | 39559263              | 2   | Rear Guard Pin Assembly                    |
| 09   | 75086175              | 2   | 3/8-16 x 1" Grade 5 Hex Bolt               |
| 10   | 75088053              | 2   | 3/8" x 1" x .078" thick Zinc Plated Washer |
| 11   | 75085193              | 2   | 3/8-16 Hex Lock Nut                        |
| 12   | 39559000              | 1   | Curb Side Guard Rail Assembly              |
| 13   | 75089305              | 4   | Grease Zerk                                |
| 14   | 75089557              | 2   | .25" x 1.5" Coil Pin                       |
| 15   | 36458501              | 2   | Lock Pin Assembly                          |
| 16   | 33520900              | 6   | Plug                                       |
| 17   | 75089756              | 2   | 1-1/4" x 4-3/4" Spring                     |
| 18   | 75088058              | 6   | 3/4" x 2" x .156" Thick Steel Flat Washer  |
| 19   | 75089549              | 6   | .25" x 1" Coil Pin                         |
| 20   | 39559260              | 2   | Upper Front Side Guard Pin                 |
| 21   | 39559105              | 2   | Side Rail Assembly                         |
| 22   | 39559261              | 2   | Side Guard Pin Assembly                    |
| 23   | 36458336              | 2   | 1/4" Plated Upper Chain                    |
| 24   | 36458236              | 2   | 1/4" Plated Lower Chain                    |
| 25   | 75085162              | 1   | 1/2-13 Lock Nut                            |
| 26   | 75088056              | 2   | 1/2" x 1-3/8" x .109" Zinc Plated Washer   |
| 27   | 34029750              | 1   | Spacer                                     |
| 28   | 75089752              | 1   | 1/2" x 3" Spring                           |
| 29   | 39529715              | 1   | Retainer Latch Assembly                    |
| 30   | 75086108              | 2   | 1/2-13 x 1.5" long Grade 5 Hex Bolt        |
| 31   | 75089364              | 6   | 5/16" Shackle                              |
| 32   | 75086006              | 2   | 1/4-20 x 1" long Grade 2 Hex Bolt          |
| 33   | 75088051              | 2   | 1/4" x 5/8" x .065" Zinc Plated Washer     |
| 34   | 34036750              | 2   | Rubber Pad                                 |
| 35   | 75086854 <sup>A</sup> | 28  | 1/4-20 x 5/8" Round Head Phillips Screw    |
| 36   | 39035700 <sup>A</sup> | 4   | Upper Runner Bearing                       |
| 37   | 34427307              | 2   | Shoe Assembly Bearing                      |
| 38   | 75085001              | 2   | 1/4-20 Serrated Hex Nut                    |
| 39   | 39035003              | 1   | Curb Side Runner Assembly 160CC B.G.       |
| 40   | 39035750 <sup>A</sup> | 2   | Lower Runner Bearing                       |

| ITEM | PART NUMBER           | QTY | DESCRIPTION                               |
|------|-----------------------|-----|---|
| 41   | 75084052 <sup>B</sup> | 3   | 5/32" x 1" Cotter Pin                     |
| 42   | 39540230 <sup>B</sup> | 1   | Pin, Cam Follower                         |
| 43   | 75085005              | 2   | 3/8-16 Serrated Hex Nut                   |
| 44   | 39010800              | 1   | Hinge Pin Stainless Steel No Broach       |
| 45   | 75089530              | 1   | 5/8" Clevis Pin                           |
| 46   | 39011900              | 1   | 9/16" Broach Torsion Bar Adapter          |
| 47   | 34070220              | 1   | 9/16" Torsion Bar                         |
| 48   | 75086056              | 2   | 3/8-16 x 1" Grade 5 Hex Screw             |
| 49   | 75081225              | 1   | Bushing                                   |
| 50   | 33570230              | 1   | 1/2" Torsion Bar                          |
| 51   | 75089755              | 1   | .75" x 7" Cam Release Spring              |
| 52   | 75080102              | 1   | 5/16-18 x 3.25" Eye Bolt                  |
| 53   | 75085003              | 1   | 5/16-18 Serrated Hex Nut                  |
| 54   | 39540250 <sup>B</sup> | 1   | Cam Follower                              |
| 55   | 34036701 <sup>B</sup> | 2   | 9/16" Roller                              |
| 56   | 75088064 <sup>B</sup> | 3   | 5/8" x 1-5/16" x .095" Zinc Plated Washer |
| 57   | 39035053              | 1   | Driver Side Runner Assembly 160 CC BG     |
| 58   | 75084055              | 4   | 5/32" x 2.5" Cotter Pin                   |
| 59   | 33038810              | 4   | Plastic Block                             |
| 60   | 39512000              | 1   | .5" Hinge Pin                             |
| 61   | 10010170              | 2   | 1" x 1.25" x 2.50" Bearings               |
| 62   | 39559050              | 1   | Driver Side Guard Rail Assembly           |
| 63   | 39559250              | 1   | Driver Side Rear Guard Rail Assembly      |
| 64   | 75086057              | 4   | 3/8"-16 x 1-1/4" Bolt                     |
| 65   | 75086222              | 2   | 3/8"-16 x 1-3/4" S.S. Bolt                |
| 66   | 75085185              | 2   | 3/8"-16 Nylok Nut                         |
| 67   | 75089537              | 1   | 3/8" Clevis Pin                           |
| 68   | 33593105              | 1   | Latch Chain Assembly                      |
| 69   | 39512010              | 1   | Collar                                    |
| 70   | 75086869              | 1   | Set Screw, #10-32 x 5/8" Lg.              |

<sup>A</sup> Included in Slide Bearing Replacement Kit 80000931  
<sup>B</sup> Included in Cam Follower Assembly 39540755

## MDR-SERIES HYDRAULICS

(Prior to 2-94)



**Manual Lowering Controls**

**Electric Controls**

### Common Features

- Fenner power units
- Manual or Electric controls
- Remote Hand Held Control available as option
- "MDR" Series cylinders
- Pressure set at 1900 psi (MDR-125, 125AF) and 2200 psi (MDR-160, 160AF)

|                         | <b>Manual Control<br/>Built thru 7/88</b>                                      | <b>Electric Control<br/>Perm. Toggle Switch</b>  | <b>Electric Control<br/>Remote Toggle Switch</b>                                 |
|-------------------------|--|--|--|
| <b>Reservoir</b>        | Round  | Round  | Round  |
| <b>Control</b>          | Start switch with Manual Lowering Valve  | Release and control solenoid   | Release and control solenoid   |
| <b>Adapter</b>          | Square   | Square   | Square   |
| <b>Motor</b>            | Spline drive   | Spline drive   | Spline drive   |
| <b>Hydraulic Layout</b> | <b>PM-232A</b>   | <b>AW-446</b><br>Built thru 7/88<br><b>PM-232</b><br>Built from 7/88 thru 7/92<br><b>PM-259</b><br>Built from 7/92 thru 2/94 | <b>AW-495</b><br>Built thru 2/94   |
| <b>Pump</b>             | <b>PM-107A</b>   | <b>PM-107A</b><br>Built thru 7/88<br><b>PM-111B</b><br>Built from 7/88 thru 2/94   | <b>PM-107A</b><br>Built thru 7/88<br><b>PM-111B</b><br>Built from 7/88 thru 2/94 |
| <b>Cylinder*</b>        | <b>PM-241</b><br>Built thru 7/88<br><b>PM-596</b><br>Built from 7/88 thru 2/94 | <b>PM-241</b><br>Built thru 7/88<br><b>PM-596</b><br>Built from 7/88 thru 2/94   | <b>PM-241</b><br>Built thru 7/88<br><b>PM-596</b><br>Built from 7/88 thru 2/94   |

\* When ordering a new cylinder use part 33580050 for all MDR Liftgates built prior to 3/00.

## MDR-SERIES HYDRAULICS

(Manufactured from 2-94)

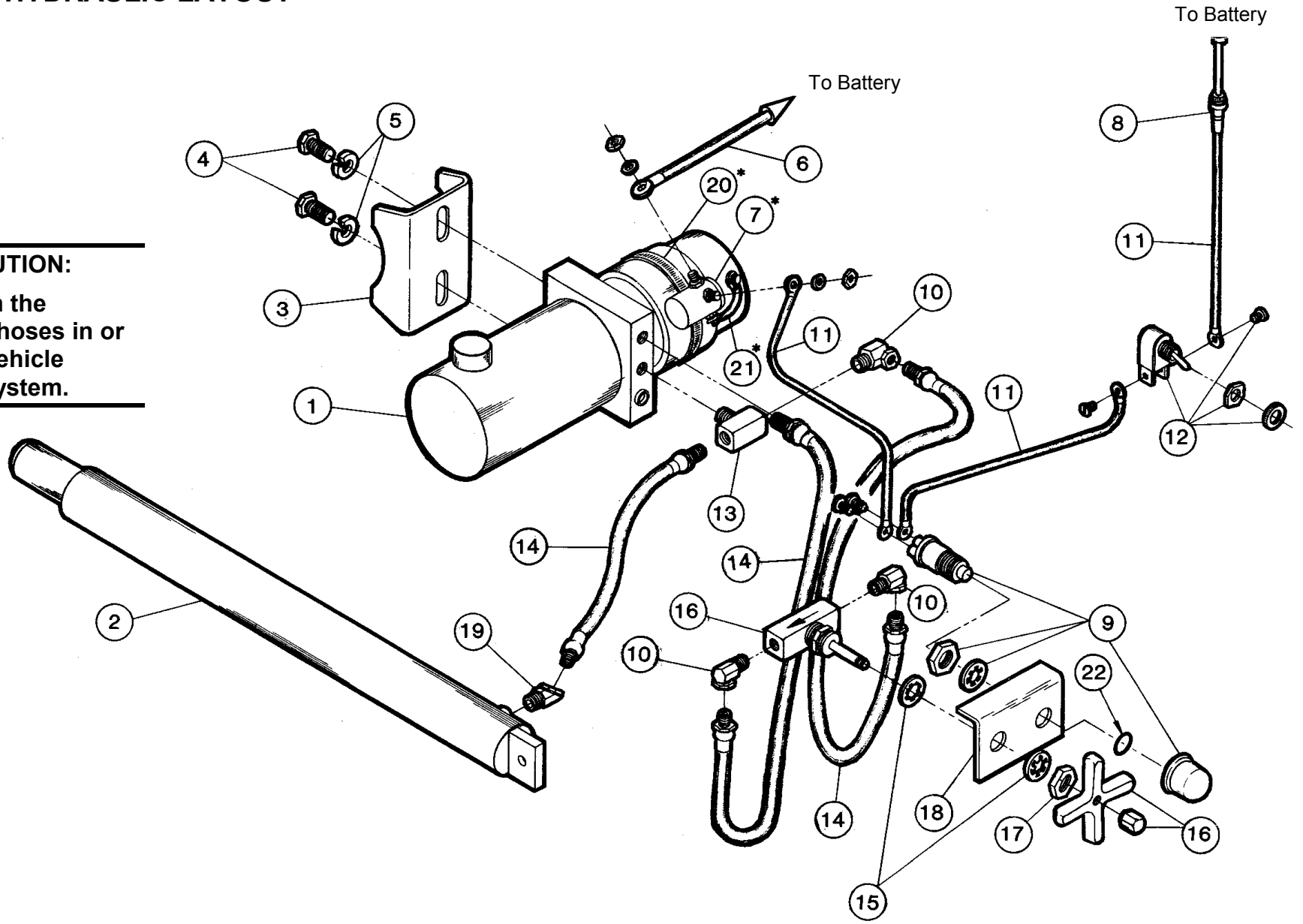
|  |   |  |
|--|---|--|
|  |   |  |
| <b>MDR Electric Control (Built from 2-94 thru 3-00)</b>  | <b>MDRRM Electric Control (Built from 3-00)</b>   |  |
| <b>Common Features</b> <ul style="list-style-type: none"> <li>• Monarch power units with ElectroPak® or Thermalpak®</li> <li>• Electric controls – Toggle switch control thru 7/98. Super Switch control after 7/98</li> <li>• MDR Series cylinder*</li> </ul> |   |  |
|  | <b>MDR Electric Control (Built from 2-94 thru 3-00)</b>   | <b>MDRRM Electric Control (Built from 3-00)</b>  |
| <b>Reservoir</b>   | Round Plastic   | Round Metal  |
| <b>Adapter</b>   | Round   | Round  |
| <b>Hydraulic Layout</b>  | <p style="text-align: center;"><b>PM-334A</b><br/>Built from 2/94 thru 7/98<br/>Toggle switch control</p> <p style="text-align: center;"><b>PM-334</b><br/>Built from 7/98 thru 3/00<br/>Super Switch control</p> | <p style="text-align: center;"><b>PM-530B</b><br/>Built from 3/00 thru 1/02</p> <p style="text-align: center;"><b>PM-530</b><br/>Built from 1/02 thru 5/03</p> <p style="text-align: center;"><b>PM-530A</b><br/>Built from 5/03</p> |
| <b>Electrical Layout &amp; Schematic</b>   | <p style="text-align: center;"><b>PM-343</b></p>  | <p style="text-align: center;"><b>PM-530B</b></p>  |
| <b>Pump</b>  | <p style="text-align: center;"><b>PM-352 (Electropak)</b></p> <p style="text-align: center;"><b>PM-509 (Thermalpak)</b></p>   | <p style="text-align: center;"><b>PM-353</b></p>   |
| <b>Cylinder*</b>   | <p style="text-align: center;"><b>PM-596</b></p>  | <p style="text-align: center;"><b>PM-597*</b> (39080050 – 23-1/2" stroke)</p> <p style="text-align: center;"><b>PM-598*</b> (39580050 – 27" stroke)</p>  |

Rev. 01 7/03

\* Refer to [Tech Tip TT030128](#) when customer is ordering a replacement lift cylinder for any MDR built from 3/00 thru 5/03

# ELECTRO HYDRAULIC LAYOUT

**CAUTION:**  
Do not run the hydraulic hoses in or near the vehicle exhaust system.



**WALTCO**  
TRUCK EQUIPMENT CO.  
MDR SERIES

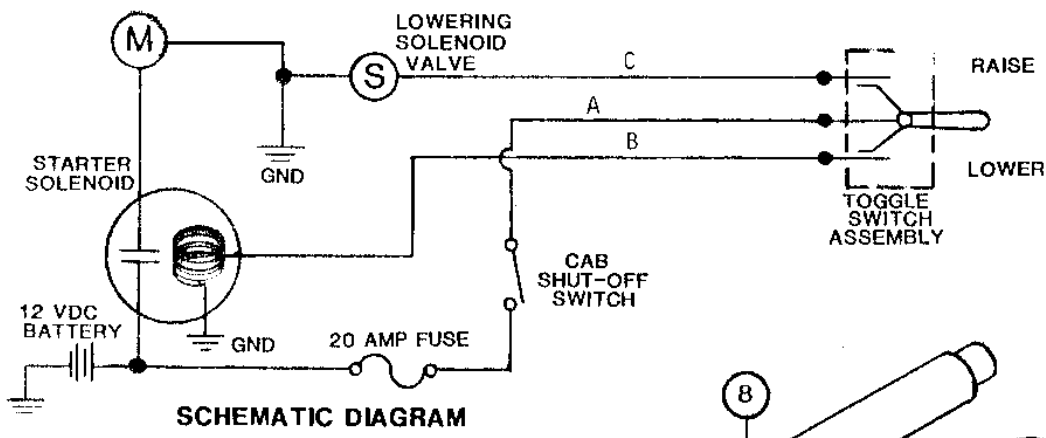
REVISED: 12/1/03  
E.O. 5221  
REV. 01

**PM-232A**

| ITEM | PART NUMBER | QTY | DESCRIPTION                        |
|------|-------------|-----|------------------------------------|
| 1    | 33095000    | 1   | Hydraulic Pump Unit (MDR-125 Only) |
|      | 33595000    | 1   | Hydraulic Pump Unit (MDR-160 Only) |
| 2    | 33080050    | 1   | Hydraulic Cylinder                 |
| 3    | 20220900    | 1   | Pump Bracket                       |
| 4    | 75086055    | 2   | 3/8"-16 x 3/4" Hex Head Screw      |
| 5    | 75088081    | 2   | 3/8" lock Washer                   |
| 6    | 10195625    | 1   | 4 Ga. x 25 Ft. Battery Cable       |
| 7    | 75089822*   | 1   | Control Solenoid                   |
| 8    | 75089847    | 1   | 20 Amp Fuse Holder w/ Fuse         |
| 9    | 75089805    | 1   | Push Button Switch                 |
| 10   | 75083031    | 3   | 1/4" x 90° Elbow                   |
| 11   | 75089026    | 1   | 16 Ga. x 30 Ft. Control Wire       |
| 12   | 75089807    | 1   | Single Throw Toggle Switch         |
| 13   | 75082858    | 1   | 1/4" tee, Male on Side             |
| 14   | 75083062    | 3   | 1/4" ID x 48" Hose Assembly        |
| 15   | 75088097    | 2   | 3/4" Lock Washer                   |
| 16   | 70189852    | 1   | Needle Control Valve               |
| 17   | 75085040    | 2   | 3/4"-20 Panel Nut                  |
| 18   | 13199900    | 1   | Valve Mount Bracket                |
| 19   | 75083016    | 1   | 1/4" x 45° Elbow                   |
| 20   | 70091354*   | 1   | Solenoid Mount Bracket             |
| 21   | 70091260*   | 1   | Terminal Cable Assembly            |
| 22   | 75000034    | 1   | "O" Ring                           |

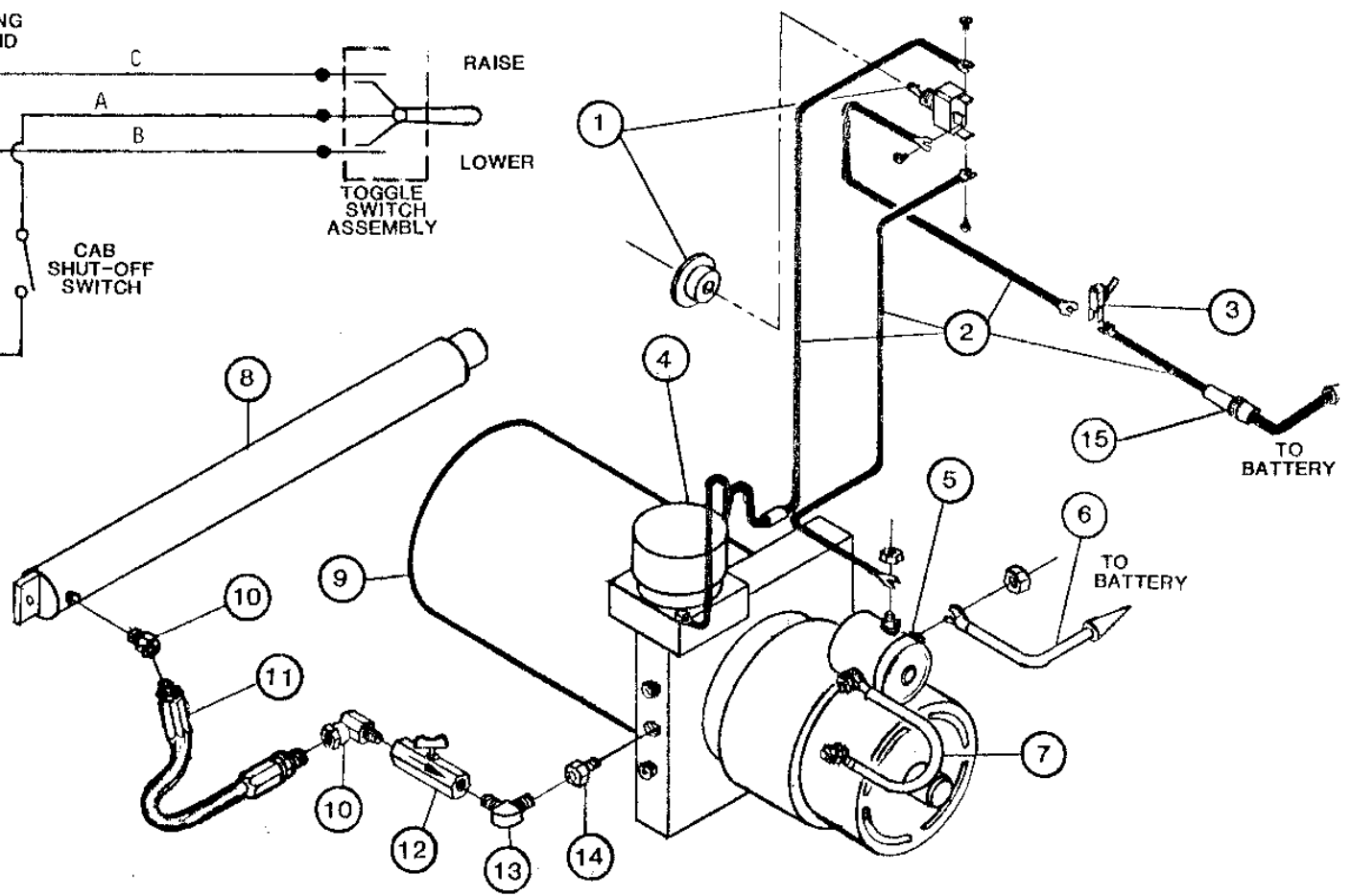
\* These parts are included on 33095000 & 33595000 Assemblies.

# PERMANENT TOGGLE SWITCH CONTROLS



NOTE: COLOR CODE FOR WIRES

- CONTROL WIRE
- A. YELLOW (HOT)
  - B. GREEN (UP)
  - C. BROWN (DOWN)



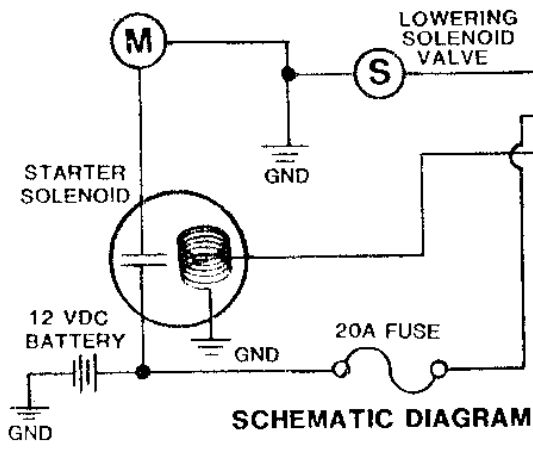
**WALTCO  
TRUCK EQUIPMENT CO.  
MDR SERIES**

REVISED: 6-26-85  
E.O.  
REV. 01

**AW-446**

| ITEM | PART NUMBER   | QTY | DESCRIPTION                            |
|------|---------------|-----|--|
| 1    | 75089815      | 1   | Toggle Switch Assembly                 |
| 2    | 75089026      | 1   | 16 Ga. x 30 Ft. Battery Cable Assembly |
| 3    | 75089807      | 1   | Cab Shut-Off Switch                    |
| 4    | 70091631      | 1   | Release Solenoid                       |
| 5    | 75089822      | 1   | Solenoid                               |
| 6    | 10195625      | 1   | 4 Ga. x 25 Ft. Battery Cable Assembly  |
| 7    | 10195500      | 1   | Cable Assembly                         |
| 8    | 33080050      | 1   | Hydraulic Cylinder Assembly            |
| 9    | 30195000(SPL) | 1   | Hydraulic Pump Unit                    |
| 10   | 75083016      | 2   | 1/4" NPT x 45° Swivel Elbow            |
| 11   | 75083062      | 1   | 1/4" ID x 48" Hose Assembly            |
| 12   | 70189860      | 1   | Flow Control Valve                     |
| 13   | 75082611      | 1   | 1/4" NPT x 90° Male Elbow              |
| 14   | 75082908      | 1   | 1/4" NPT x 3/8" NPT Bushing            |
| 15   | 75089847      | 1   | 20A Fuse with Holder                   |

# REMOTE TOGGLE SWITCH CONTROLS PLUG AND SOCKET



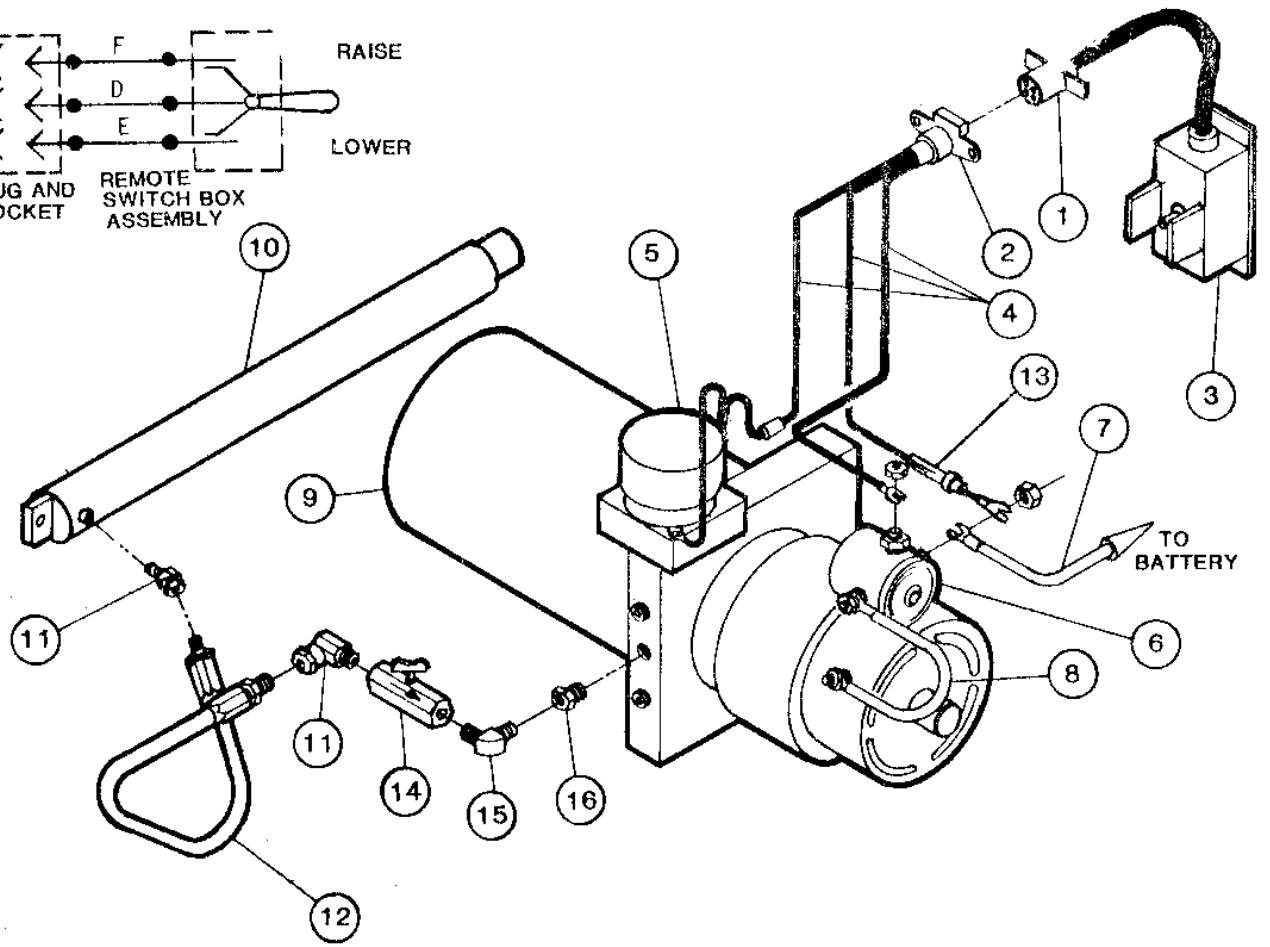
NOTE: COLOR CODE FOR WIRES

CONTROL WIRE

- A. YELLOW (HOT)
- B. GREEN (UP)
- C. BROWN (DOWN)

REMOTE SWITCH BOX ASSEMBLY

- D. GREEN (HOT)
- E. WHITE (UP)
- F. BLACK (DOWN)



**WALTCO  
TRUCK EQUIPMENT CO.  
MDR SERIES**

REVISED: 7-93  
E.O.  
REV. 01

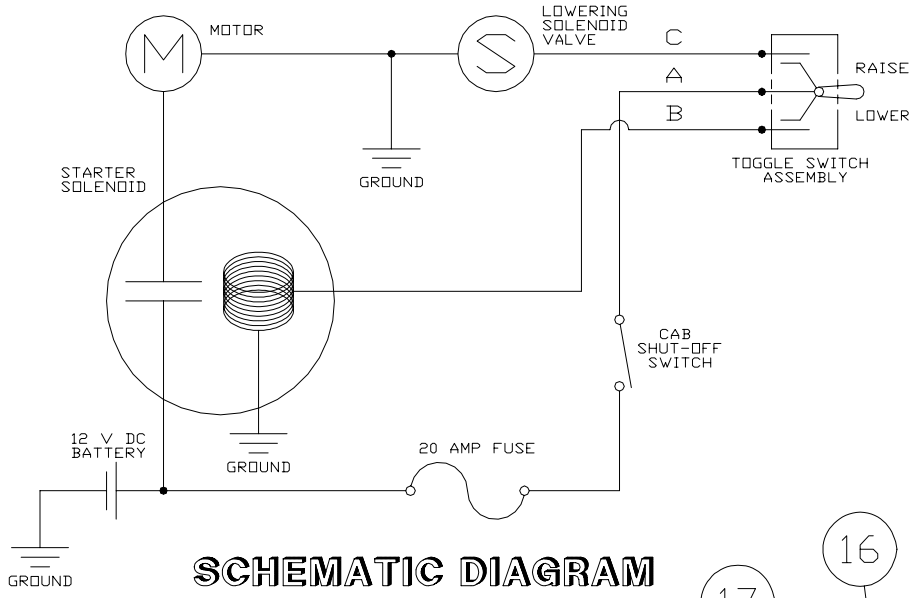
**AW-495**

| ITEM | PART NUMBER | QTY | DESCRIPTION                             |
|------|-------------|-----|---|
| 1    | 75089799    | 1   | Push Button Switch Box w/ Coil Cord     |
|      | 75089800    | 1   | Push Button Switch Box w/ Straight Cord |
| 2    | 75082037    | 1   | Trailer Plug                            |
| 3    | 75082038    | 1   | Trailer Socket                          |
| 4    | 75089026    | 1   | 16 Ga. x 30 Ft. Control Wire            |
| 5    | 75089847    | 1   | 20 Amp Fuse with Holder                 |
| 6    | 10195625    | 1   | 4 Ga. x 25 Ft. Battery Cable Assembly   |
| 7    | 75089822*   | 1   | Solenoid                                |
| 8    | 10195500*   | 1   | Cable Assembly                          |
| 9    | 70091631*   | 1   | Release Solenoid                        |
| 10   | 33095001    | 1   | Hydraulic Pump Unit (MDR-125)           |
|      | 33595001    | 1   | Hydraulic Pump Unit (MDR-160)           |
| 11   | 75082908    | 1   | 1/4" NPT x 3/8" NPT Bushing             |
| 12   | 75082611    | 1   | 1/4" NPT x 90° Male Elbow               |
| 13   | 70189860    | 1   | Flow Control Valve                      |
| 14   | 75083016    | 1   | 1/4" NPT x 45° Swivel Elbow             |
| 15   | 75083073    | 1   | 1/4" ID x 60" Hose Assembly             |
| 16   | 33023800    | 1   | 1/4" Nylon Hose Guard                   |
| 17   | 75082912    | 1   | 1/4" NPT Swivel Adapter                 |
| 18   | 33580050    | 1   | Hydraulic Cylinder Assembly             |

\* These parts included on 33095001 and 33595001 assemblies.

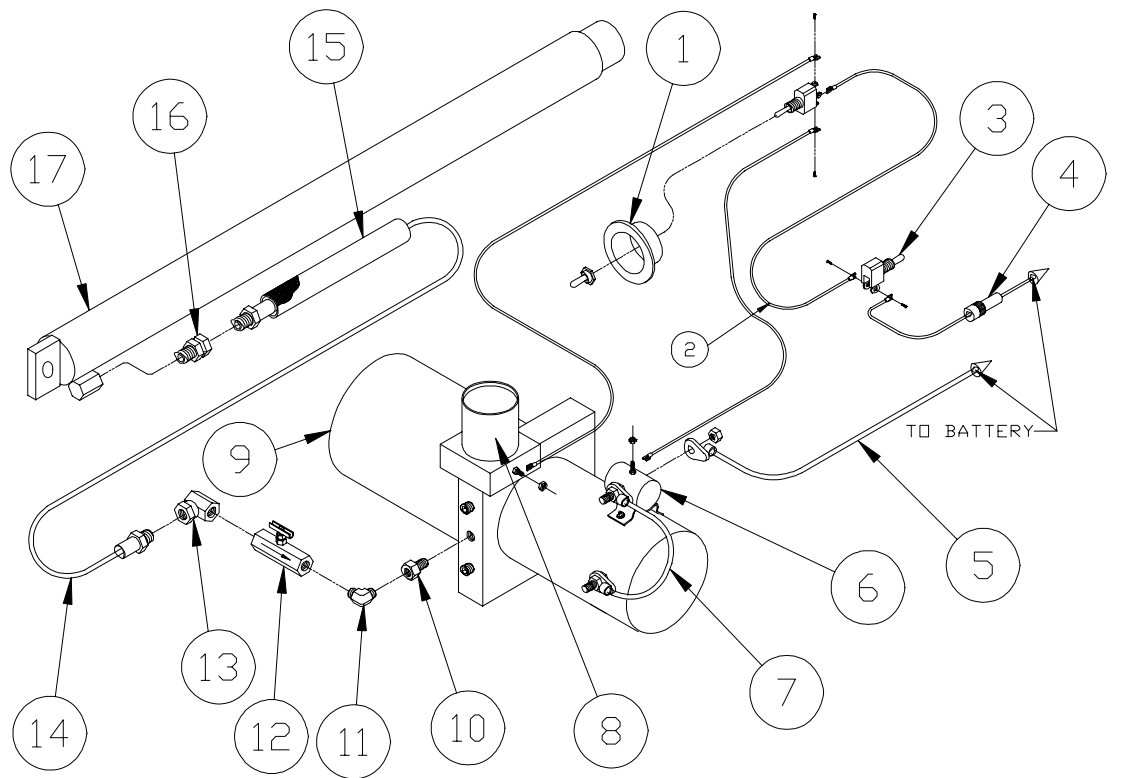


# PERMANENT REMOTE MOUNT TOGGLE SWITCH CONTROLS



**SCHEMATIC DIAGRAM**

NOTE: COLOR CODE FOR WIRES  
CONTROL WIRE  
A. YELLOW (HOT)  
B. GREEN (UP)  
C. BROWN (DOWN)



**WALTCO  
TRUCK EQUIPMENT CO.  
MDR SERIES**

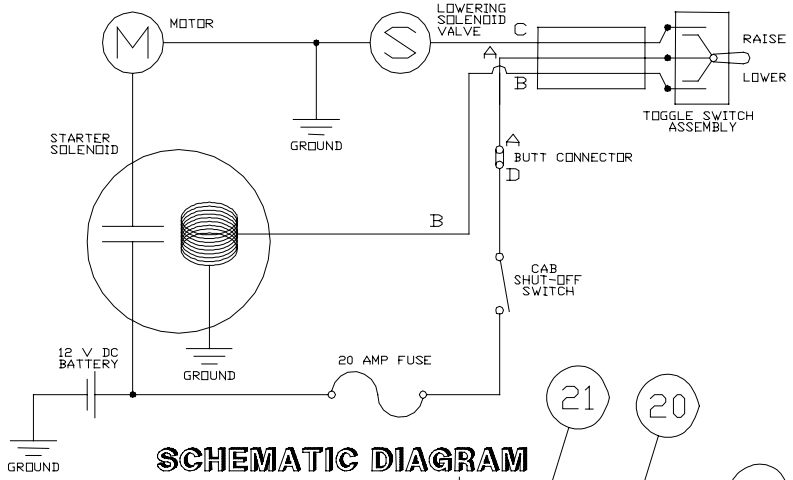
REVISED: 7-93  
E.O.  
REV. 01

**PM-232**

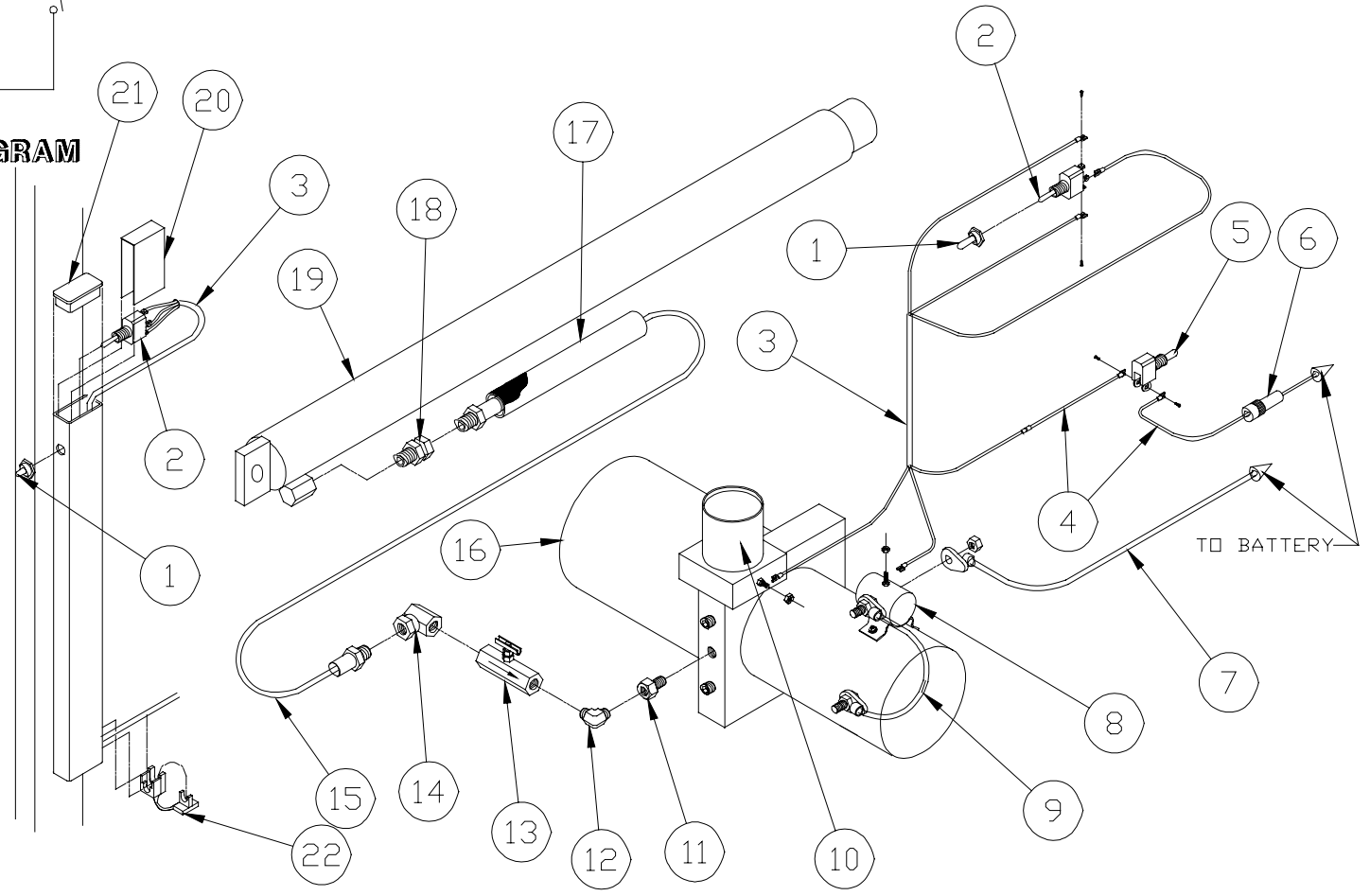
| ITEM | PART NUMBER | QTY | DESCRIPTION                           |
|------|-------------|-----|---------------------------------------|
| 1    | 75089815    | 1   | Toggle Switch Assembly                |
| 2    | 75089026    | 1   | 16 Ga. x 30 Ft. Control Wire          |
| 3    | 75089807    | 1   | Cab Shut-Off Switch                   |
| 4    | 75089847    | 1   | 20 Amp Fuse with Holder               |
| 5    | 10195625    | 1   | 4 Ga. x 25 Ft. Battery Cable Assembly |
| 6    | 75089822*   | 1   | Solenoid                              |
| 7    | 10195500*   | 1   | Cable Assembly                        |
| 8    | 70091631*   | 1   | Release Solenoid                      |
| 9    | 33095001    | 1   | Hydraulic Pump Unit (MDR-125)         |
|      | 33595001    | 1   | Hydraulic Pump Unit (MDR-160)         |
| 10   | 75082908    | 1   | 1/4" NPT x 3/8" NPT Bushing           |
| 11   | 75082611    | 1   | 1/4" NPT x 90° Male Elbow             |
| 12   | 70189860    | 1   | Flow Control Valve                    |
| 13   | 75083016    | 1   | 1/4" NPT x 45° Swivel Elbow           |
| 14   | 75083073    | 1   | 1/4" ID x 60" Hose Assembly           |
| 15   | 33023800    | 1   | 1/4" Nylon Hose Guard                 |
| 16   | 75082912    | 1   | 1/4" NPT Swivel Adapter               |
| 17   | 33580050    | 1   | Hydraulic Cylinder Assembly           |

\* These parts included on 33095001 & 33595001 assemblies

# PERMANENT TOGGLE SWITCH CONTROLS



NOTE: COLOR CODE FOR WIRES  
 CONTROL WIRE  
 A. WHITE <HOT>  
 B. GREEN <UP>  
 C. BLACK <DOWN>  
 D. BLUE <HOT>



**WALTCO  
 TRUCK EQUIPMENT CO.  
 MDR SERIES**

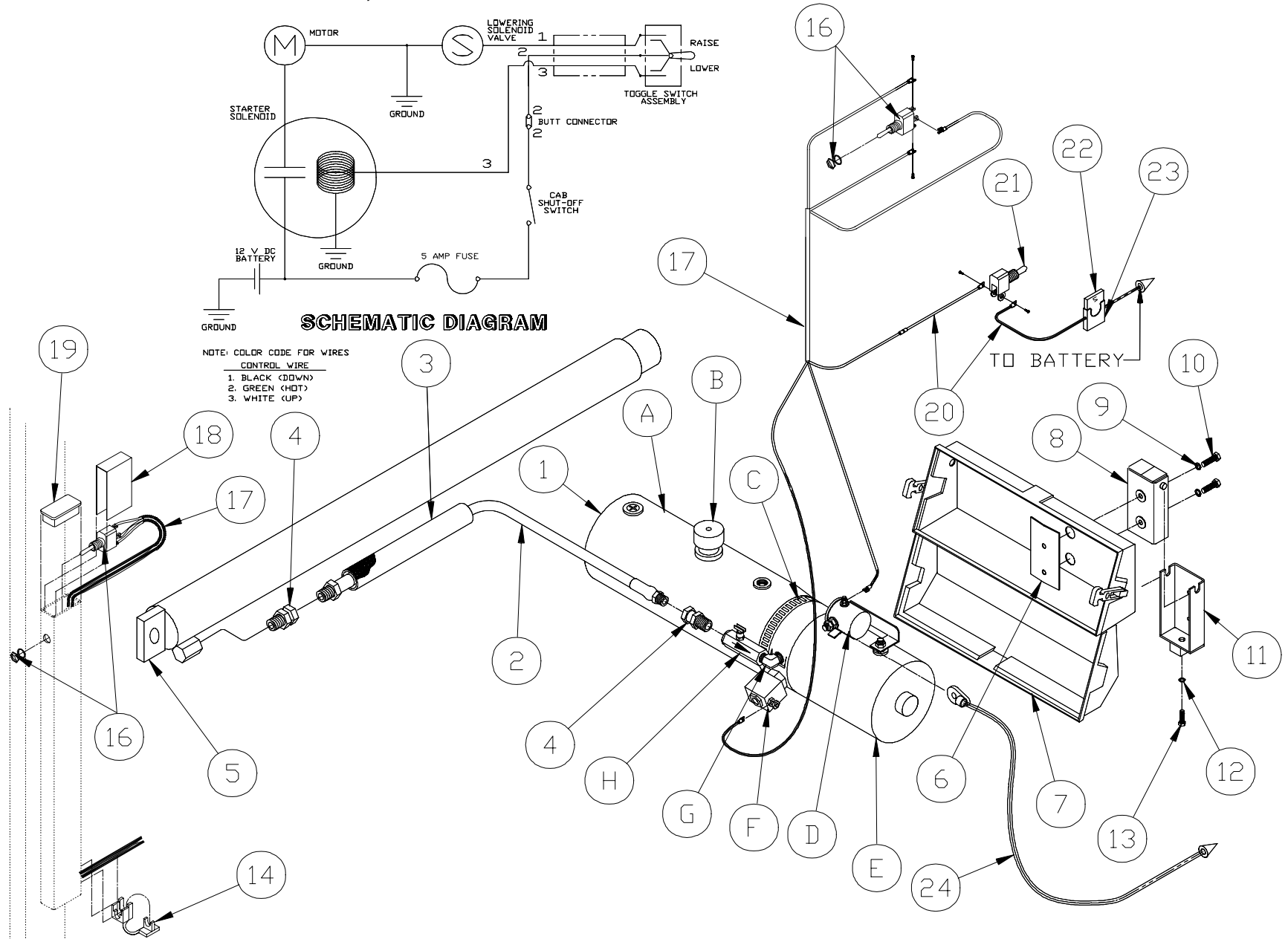
REVISED: 7-1-93  
 E.O. 3462B  
 REV. 02

**PM-259**

| ITEM | PART NUMBER | QTY | DESCRIPTION                   |
|------|-------------|-----|-------------------------------|
| 1    | 75089770    | 1   | Rubber Cap                    |
| 2    | 75089808    | 1   | Toggle Switch                 |
| 3    | 33575000    | 1   | Control Cord Assembly         |
| 4    | 75089026    | 1   | 16 Ga. x 30 Ft. Control Wire  |
| 5    | 75089807    | 1   | Cab Shut-Off Switch           |
| 6    | 75089847    | 1   | 20 Amp Fuse with Holder       |
| 7    | 10195625    | 1   | 4 GA. x 25 Ft. Battery Cable  |
| 8    | 75089822*   | 1   | Solenoid                      |
| 9    | 10195500*   | 1   | Cable Assembly                |
| 10   | 70091631*   | 1   | Release Solenoid              |
| 11   | 75082908    | 1   | 1/4" NPT x 3/8" NPT Bushing   |
| 12   | 75082611    | 1   | 1/4" NPT x 90° Male Elbow     |
| 13   | 70189860    | 1   | Flow Control Valve            |
| 14   | 75083016    | 1   | 1/4" NPT x 45° Swivel Elbow   |
| 15   | 75083073    | 1   | 1/4" ID x 60" Hose Assembly   |
| 16   | 33095001    | 1   | Hydraulic Pump Unit (MDR-125) |
|      | 33595001    | 1   | Hydraulic Pump Unit (MDR-160) |
| 17   | 33023800    | 1   | 1/4" Nylon Hose Guard         |
| 18   | 75082912    | 1   | 1/4" NPT Swivel Adapter       |
| 19   | 33580050    | 1   | Hydraulic Cylinder Assembly   |
| 20   | 33575100    | 1   | Dielectric Insulation         |
| 21   | 33520900    | 1   | Plug                          |
| 22   | 75080055    | 1   | Strain Relief                 |

\* These parts included on 33095001 & 33595001 assemblies

# PERMANENT SWITCH CONTROLS, ELECTROPAK



**WALTCO**  
TRUCK EQUIPMENT CO.  
MDR SERIES

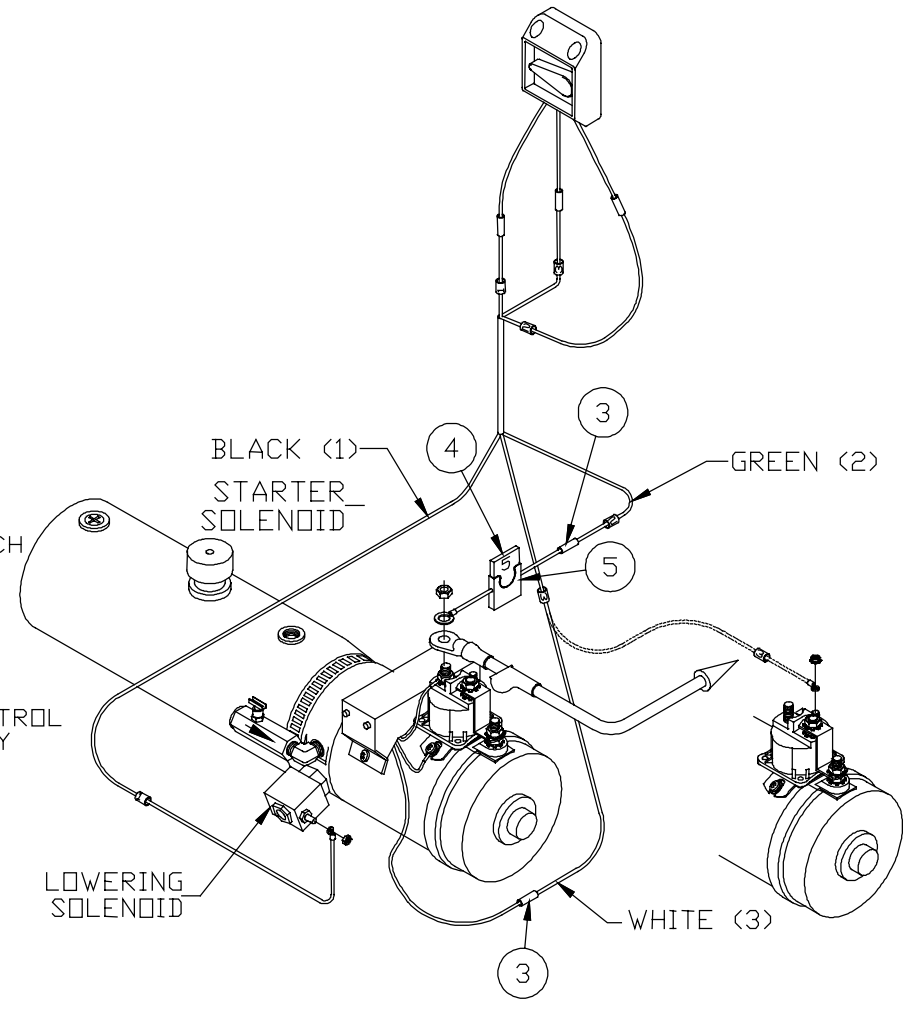
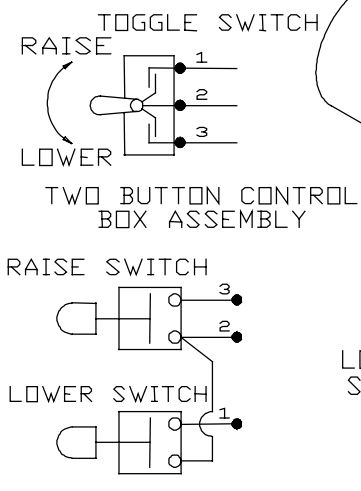
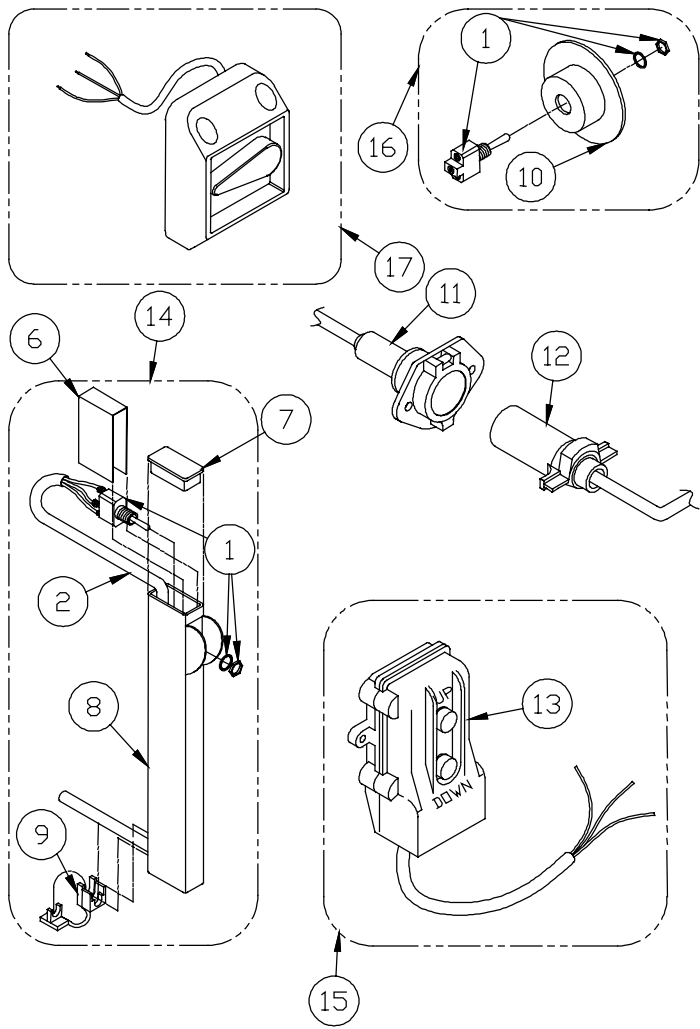
REVISED: 12/1/03  
E.O. 5221  
REV. 01

**PM-334A**

| ITEM | PART NUMBER | QTY | DESCRIPTION                           |
|------|-------------|-----|---------------------------------------|
| 1    | 70400000    | 1   | Hydraulic Pump Unit                   |
| *A   | 70400001    | 1   | Hydraulic Reservoir                   |
| *B   | 70091734    | 1   | Breather                              |
| *C   | 70400002    | 1   | Reservoir Clamp                       |
| *D   | 75089822    | 1   | Solenoid                              |
| *E   | 70092359    | 1   | Motor                                 |
| *F   | 70400003    | 1   | Release Valve                         |
| *G   | 75082611    | 1   | 90° Male Elbow                        |
| *H   | 70189860    | 1   | Flow Control Valve                    |
| 2    | 75083073    | 1   | Hose Assembly                         |
| 3    | 33023800    | 1   | 1/4" Nylon Hose Guard                 |
| 4    | 75082912    | 2   | 1/4" NPT Swivel Adapter               |
| 5    | 33580050    | 1   | Hydraulic Cylinder                    |
| 6    | 10021400    | 1   | Pump Bracket Plate                    |
| 7    | 10090500    | 1   | Pump Cover Assembly                   |
| 8    | 10021000    | 1   | Pump Mounting Bracket                 |
| 9    | 75088081    | 2   | 3/8" Lock Washer                      |
| 10   | 75086056    | 2   | 3/8"-16 x 1" Hex Bolt, Grade 5        |
| 11   | 10021500    | 1   | Pump Mounting Bracket                 |
| 12   | 75088083    | 1   | 1/2" Lock Washer                      |
| 13   | 75086108    | 1   | 1/2"-13 x 1-1/2" Hex Bolt, Grade 2    |
| 14   | 75080055    | 1   | Strain Relief                         |
| 16   | 75089808    | 1   | Toggle Switch                         |
| 17   | 33575000    | 1   | Control Cord Assembly                 |
| 18   | 33574100    | 1   | Dielectric Insulation                 |
| 19   | 33520900    | 1   | Plug                                  |
| 20   | 75089026    | 1   | 16 Ga. x 30 Ft. Control Wire          |
| 21   | 75089807    | 1   | Cab Shut-Off Switch                   |
| 22   | 75089852    | 1   | 20 Amp Fuse                           |
| 23   | 75089850    | 1   | Fuse Holder                           |
| 24   | 10195625    | 1   | 2 Ga. x 25 Ft. Battery Cable Assembly |

\* These parts included in 70400000 Assembly  
Parts 1,6-10 included in 10090800 Hydraulic Assembly

# ELECTRIC CONTROL OPTIONS, GRAVITY DOWN



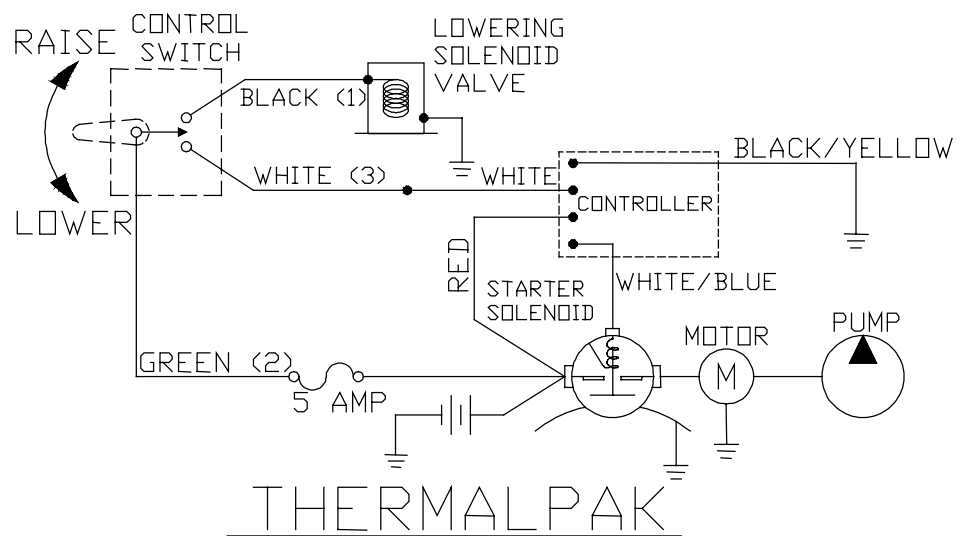
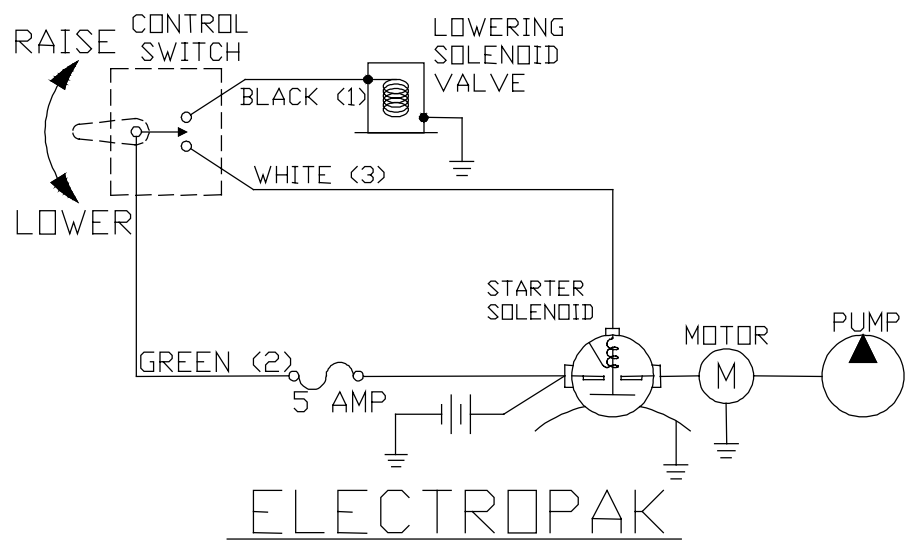
**WALTCO  
TRUCK EQUIPMENT CO.**

REVISED: 12-1-03  
E.O. 5221  
REV. 13

**PM-343**

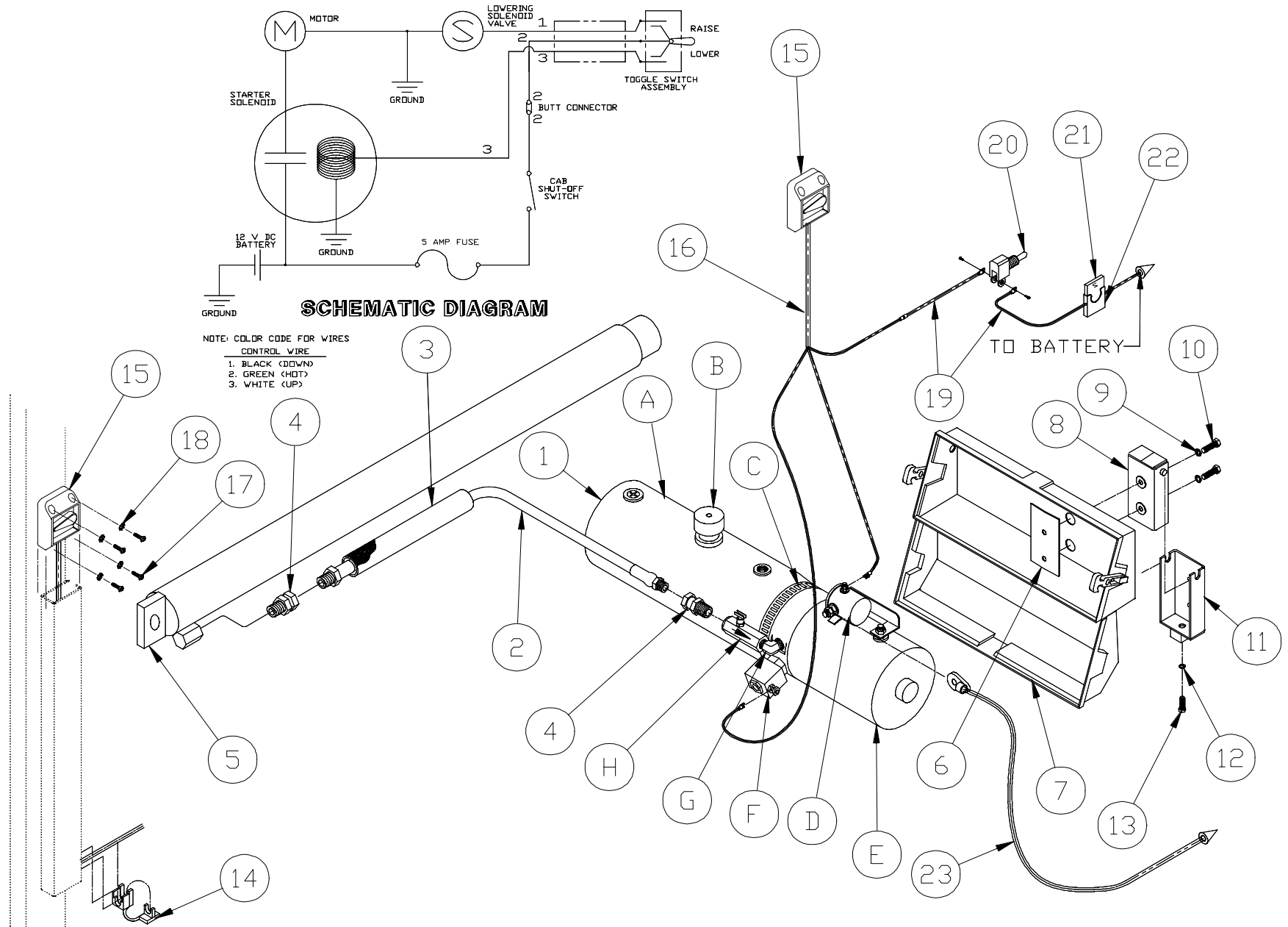
| ITEM | PART NUMBER | QTY | DESCRIPTION                               |
|------|-------------|-----|---|
| 1    | 75089808    | 1   | Toggle Switch                             |
| 2    | 10098400    | 1   | Control Cord Assembly                     |
| 3    | 75082033    | 2   | 16 Ga. Butt Connector                     |
| 4    | 75089853    | 1   | 5 AMP Fuse                                |
| 5    | 75089850    | 1   | Fuse Holder                               |
| 6    | 33574100    | 1   | Dielectric Insulation                     |
| 7    | 33520900    | 1   | Plug                                      |
| 8    | 10098100    | 1   | Control Tube Assembly                     |
| 9    | 75080055    | 1   | Strain Relief                             |
| 10   | 75089813    | 1   | Recessed Switch Plate                     |
| 11   | 75082038    | 1   | Trailer Socket                            |
| 12   | 75082037    | 1   | Trailer Plug                              |
| 13   | 75089798    | 1   | Push Button Box Assembly                  |
| *14  | 10098000    |     | Toggle Switch & Tube Kit                  |
| *15  | 75089800    | 1   | Remote Box Straight Cord                  |
|      | 75089799    | 1   | Remote Box Coil Cord                      |
|      | 80000470    | 1   | Remote Box Straight Cord w/ plug & socket |
|      | 80000469    | 1   | Remote Box Coil Cord w/ plug & socket     |
| *16  | 80000468    | 1   | Toggle Switch Kit                         |
| *17  | 10099300    | 1   | SuperSwitch                               |
|      | 10099302    | 1   | Remote SuperSwitch                        |
|      | 80000423    | 1   | SuperSwitch Control Kit                   |
|      | 80000424    | 1   | SuperSwitch Dual Control Kit              |
|      | 80000425    | 1   | SuperSwitch Conversion Kit                |
|      | 80000799    | 1   | Remote SuperSwitch Kit                    |

\*\*Boxed assemblies represent complete kits



| WIRE No. | COLOR | FUNCTION     |
|----------|-------|--------------|
| 1        | BLACK | LOWER (DOWN) |
| 2        | GREEN | HOT (POWER)  |
| 3        | WHITE | RAISE (UP)   |

# PERMANENT SWITCH CONTROLS & ELECTROPAK



**WALTCO  
TRUCK EQUIPMENT CO.  
MDR SERIES**

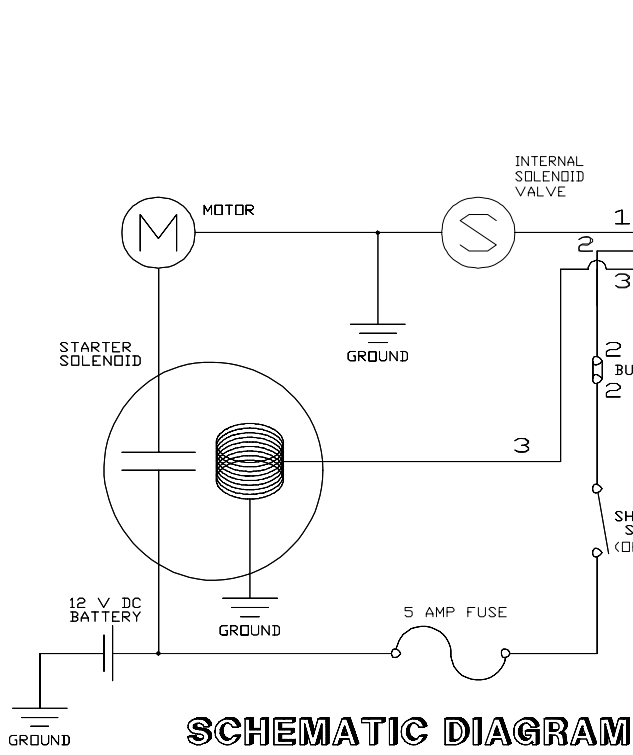
REVISED: 5-12-00  
E.O. 4176  
REV. 06

**PM-334**

| ITEM | PART NUMBER | QTY | DESCRIPTION                           |
|------|-------------|-----|---------------------------------------|
| 1    | 70400000    | 1   | Hydraulic Pump Unit (Electropak)      |
|      | 70401075    | 1   | Hydraulic Pump Unit (ThermalPak)      |
| *A   | 70400001    | 1   | Hydraulic Reservoir                   |
| *B   | 70091734    | 1   | Breather                              |
| *C   | 70400002    | 1   | Reservoir Clamp                       |
| *D   | 70092531    | 1   | Solenoid                              |
| *E   | 70092312    | 1   | Motor                                 |
| *F   | 70400003    | 1   | Release Valve                         |
| *G   | 75082611    | 1   | 90° Male Elbow                        |
| *H   | 70189860    | 1   | Flow Control Valve                    |
| 2    | 75083073    | 1   | Hose Assembly                         |
| 3    | 33023800    | 1   | ¼" Nylon Hose Guard                   |
| 4    | 75082912    | 2   | ¼" NPT Swivel Adapter                 |
| 5    | 33580050    | 1   | Hydraulic Cylinder                    |
| 6    | 10021400    | 1   | Pump Bracket Plate (Electropak)       |
|      | 10021900    | 1   | Pump Bracket Plate (Thermalpak)       |
| 7    | 10090500    | 1   | Pump Cover Assembly                   |
| 8    | 10021000    | 1   | Pump Mounting Bracket                 |
| 9    | 75088081    | 2   | 3/8" Lock Washer                      |
| 10   | 75086056    | 2   | Hex Bolt, 3/8"-16 x 1" LG., Grade 5   |
| 11   | 10021500    | 1   | Pump Mounting Bracket                 |
| 12   | 75088083    | 1   | ½" Lock Washer                        |
| 13   | 75086108    | 1   | Hex Bolt, ½"-13 x 1-1/2" LG., Grade 2 |
| 14   | 75089053    | 1   | Strain Relief                         |
| 15   | 10099300    | 1   | SuperSwitch®                          |
| 16   | 33575000    | 1   | Control Cord Assembly                 |
| 17   | 75086861    | 1   | #10-24 x 5/8" LG. Self Tap Screw      |
| 18   | 75088092    | 1   | #10 Tooth Washer                      |
| 19   | 75089026    | 1   | 16 Ga. x 30 Ft. Control Wire          |
| 20   | 75089807    | 1   | Cab Shut-Off Switch                   |
| 21   | 75089852    | 1   | 20 AMP Fuse                           |
| 22   | 75089850    | 1   | Fuse Holder                           |
| 23   | 10195625    | 1   | 2 Ga. x 25 Ft. Battery Cable Assy.    |

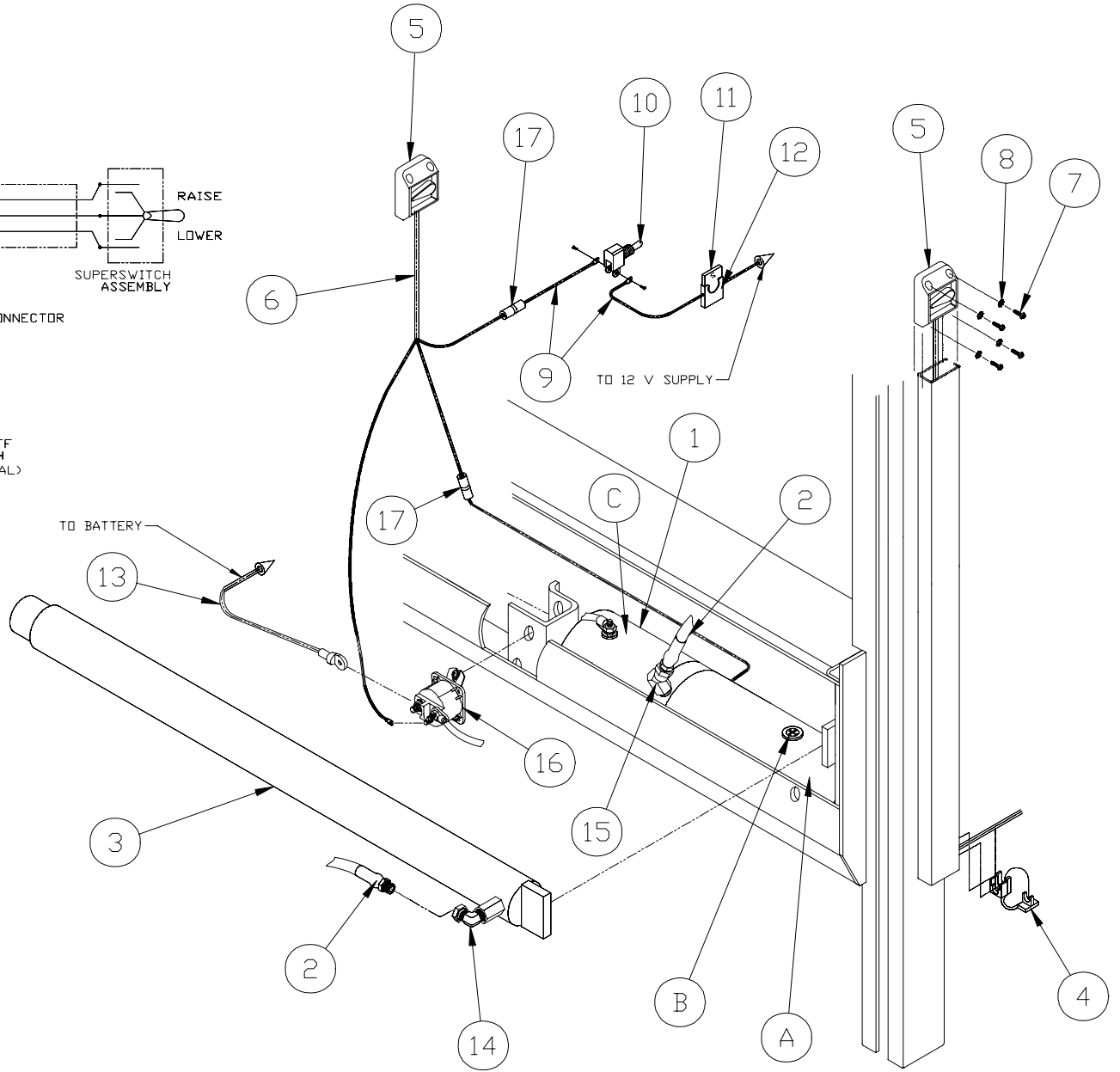
\*These parts included in 70400000 Assembly Parts 1, 6-10 included in 10090800, 10091801 Hydraulic Assemblies.

# PERMANENT SWITCH CONTROL



NOTE: COLOR CODE FOR WIRES

- CONTROL WIRE  
 1. BLACK (DOWN)  
 2. GREEN (HOT)  
 3. WHITE (UP)



**WALTCO**  
 TRUCK EQUIPMENT CO.  
 MDRRM SERIES

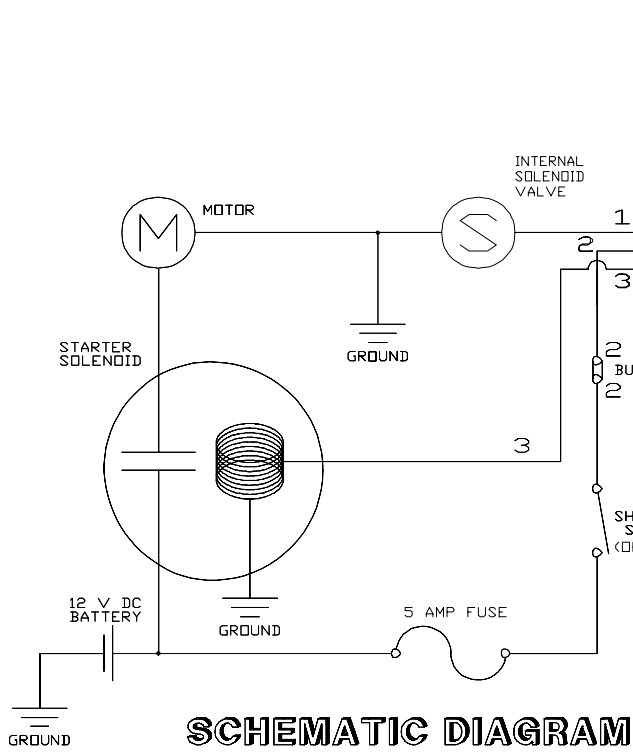
REVISED: 12/1/03  
 E.O. 5221  
 REV. 01

**PM-530B**

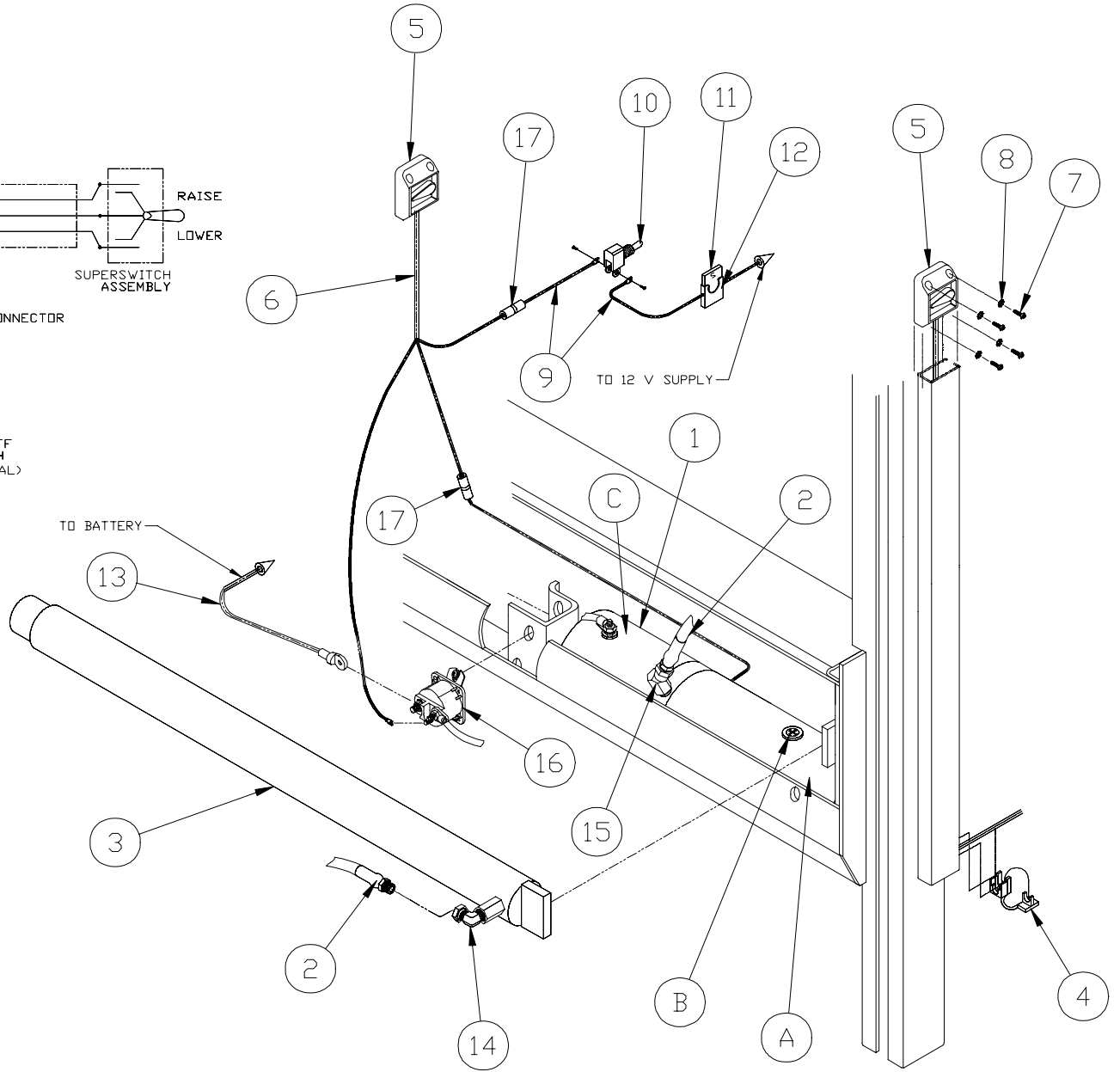
| ITEM | PART NUMBER | QTY | DESCRIPTION                      |
|------|-------------|-----|----------------------------------|
| 1    | 70400050    | 1   | Hydraulic Pump Unit              |
| *A   | 70400062    | 1   | Hydraulic Reservoir              |
| *B   | 70400055    | 1   | Breather Plug                    |
| *C   | 70092312    | 1   | Motor                            |
| 2    | 75083081    | 1   | Hose Assembly                    |
| 3    | 39580050    | 1   | Hydraulic Cylinder (27" Stroke)  |
| 4    | 75080053    | 1   | Strain Relief                    |
| 5    | 10099300    | 1   | Super Switch                     |
| 6    | 33575000    | 1   | Control Cord Assembly            |
| 7    | 75086861    | 4   | #10-24 x 5/8" Self Tapping Screw |
| 8    | 75088092    | 4   | #10 Lock Washer                  |
| 9    | 75089026    | 1   | 16 Ga. x 30 Ft. Control Wire     |
| 10   | 75089807    | 1   | Cab Shut-Off Switch (Optional)   |
| 11   | 75089853    | 1   | 5 Amp Fuse                       |
| 12   | 75089850    | 1   | Fuse Holder                      |
| 13   | 10195625    | 1   | 2 Ga. x 25 Ft. Battery Cable     |
| 14   | 75083037    | 1   | Elbow, 90° Swivel                |
| 15   | 75083017    | 1   | Elbow, 45° Swivel                |
| 16   | 75089831    | 1   | Solenoid                         |
| 17   | 75082033    | 2   | Butt Connector                   |

\* These parts included in 70400050 assembly

# PERMANENT SWITCH CONTROL



NOTE: COLOR CODE FOR WIRES  
CONTROL WIRE  
1. BLACK (DOWN)  
2. GREEN (HOT)  
3. WHITE (UP)



**WALTCO**  
TRUCK EQUIPMENT CO.  
MDR SERIES

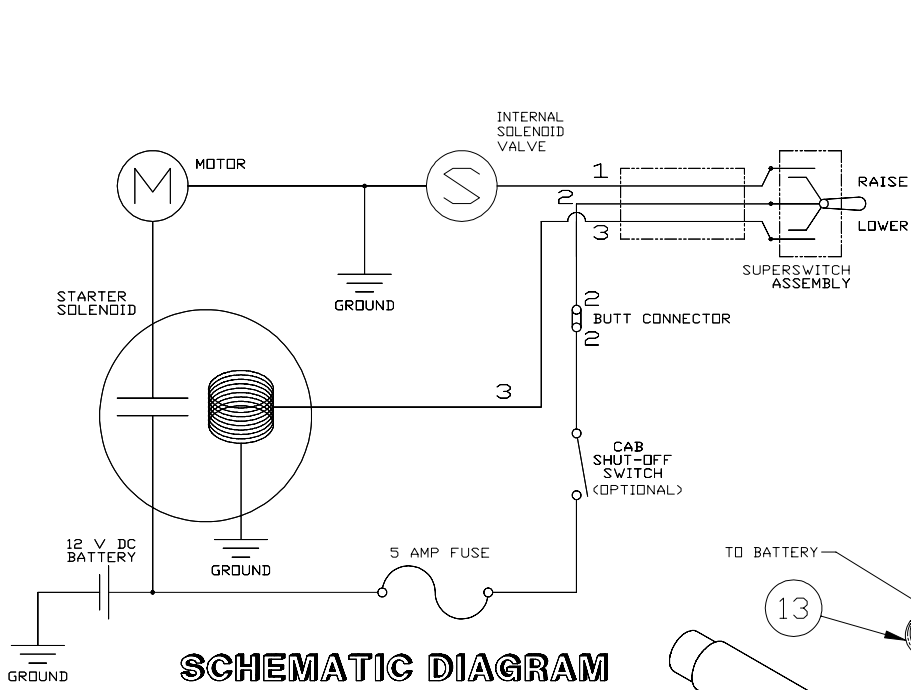
REVISED: 1-25-02  
E.O. 4482  
REV. 02

**PM-530**

| ITEM | PART NUMBER          | QTY | DESCRIPTION  |
|------|----------------------|-----|--|
| 1    | 70400050             | 1   | Hydraulic Pump Unit  |
| *A   | 70400062             | 1   | Hydraulic Reservoir  |
| *B   | 70400055             | 1   | Breather Plug  |
| *C   | 70092312             | 1   | Motor  |
| 2    | 75083081             | 1   | Hose Assembly  |
| 3    | 39080050<br>39580050 | 1   | 23-1/2" Stroke Cylinder (Non A.F.)<br>27" Stroke Cylinder (A.F.) |
| 4    | 75080053             | 1   | Strain Relief  |
| 5    | 10099300             | 1   | Super Switch   |
| 6    | 33575000             | 1   | Control Cord Assembly  |
| 7    | 75086861             | 4   | #10-24 x 5/8" Lg. Self Tap Screw                                 |
| 8    | 75088092             | 4   | #10 Tooth Washer   |
| 9    | 75089026             | 1   | 16 Ga. x 30 Ft. Control Wire                                     |
| 10   | 75089807             | 1   | Cab Shut-Off Switch (Optional)                                   |
| 11   | 75089853             | 1   | 5 Amp Fuse   |
| 12   | 75089850             | 1   | Fuse Holder  |
| 13   | 10195625             | 1   | 2 Ga. x 25 Ft. Battery Cable Assembly                            |
| 14   | 75083037             | 1   | Elbow, 90° Swivel  |
| 15   | 75083017             | 1   | Elbow, 45° Swivel  |
| 16   | 75089831             | 1   | Solenoid   |
| 17   | 75082033             | 2   | Butt Connector   |

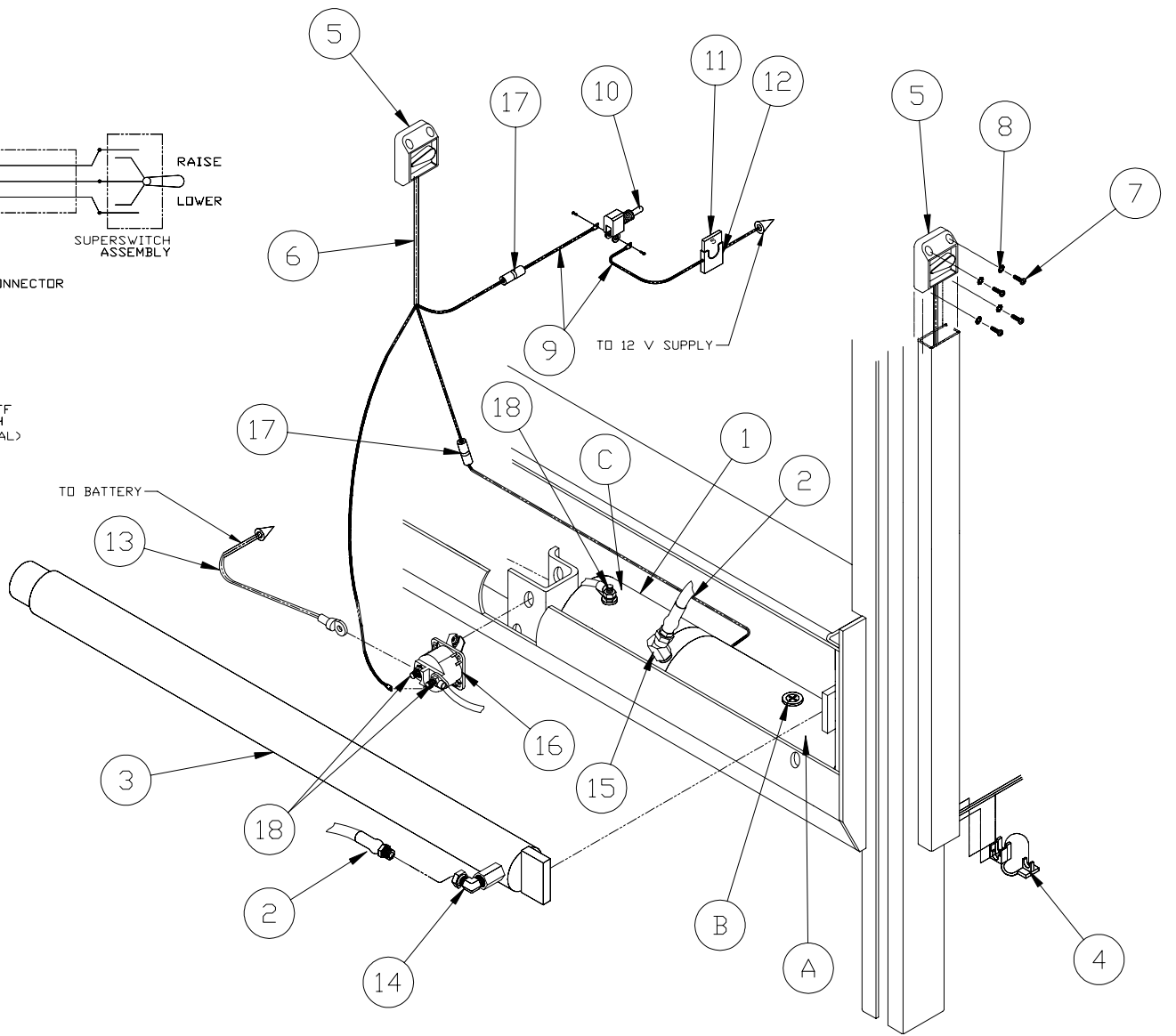
\*These parts included on 70400050 assembly.

# PERMANENT SWITCH CONTROL



**SCHEMATIC DIAGRAM**

NOTE: COLOR CODE FOR WIRES  
 CONTROL WIRE  
 1. BLACK (DOWN)  
 2. GREEN (HDT)  
 3. WHITE (UP)



**WALTCO**  
 TRUCK EQUIPMENT CO.  
 MDR SERIES

REVISED: 12/1/03  
 E.O. 5221  
 REV. 02

**PM-530A**

| ITEM | PART NUMBER | QTY | DESCRIPTION                           |
|------|-------------|-----|---------------------------------------|
| 1    | 70400050    | 1   | Hydraulic Pump Unit                   |
| *A   | 70400062    | 1   | Hydraulic Reservoir                   |
| *B   | 70400055    | 1   | Breather Plug                         |
| *C   | 70092312    | 1   | Motor                                 |
| 2    | 75083081    | 1   | Hose Assembly                         |
| 3    | 39580050    | 1   | 27" Stroke Cylinder (A.F.)            |
| 4    | 75080053    | 1   | Strain Relief                         |
| 5    | 10099300    | 1   | Super Switch                          |
| 6    | 33575000    | 1   | Control Cord Assembly                 |
| 7    | 75086861    | 4   | #10-24 x 5/8" Lg. Self Tap Screw      |
| 8    | 75088092    | 4   | #10 Tooth Washer                      |
| 9    | 75089026    | 1   | 16 Ga. x 30 Ft. Control Wire          |
| 10   | 75089807    | 1   | Cab Shut-Off Switch (Optional)        |
| 11   | 75089853    | 1   | 5 Amp Fuse                            |
| 12   | 75089850    | 1   | Fuse Holder                           |
| 13   | 10195625    | 1   | 2 Ga. x 25 Ft. Battery Cable Assembly |
| 14   | 75083037    | 1   | Elbow, 90° Swivel                     |
| 15   | 75083017    | 1   | Elbow, 45° Swivel                     |
| 16   | 75089831    | 1   | Solenoid                              |
| 17   | 75082033    | 2   | Butt Connector                        |
| 18   | 75089328    | 3   | Rubber Boot                           |

\*These parts included on 70400050 assembly.



# MDR & MDRRM-SERIES PUMPS & CYLINDER Parts Drawings

If unsure of the correct pump or cylinder part number, [click here](#).

## QUICK TIP:

Most pumps have a pump pressure decal on them that also includes the pump part number. This number will always be an 8-digit part number. If still unsure, please contact Waltco for assistance.

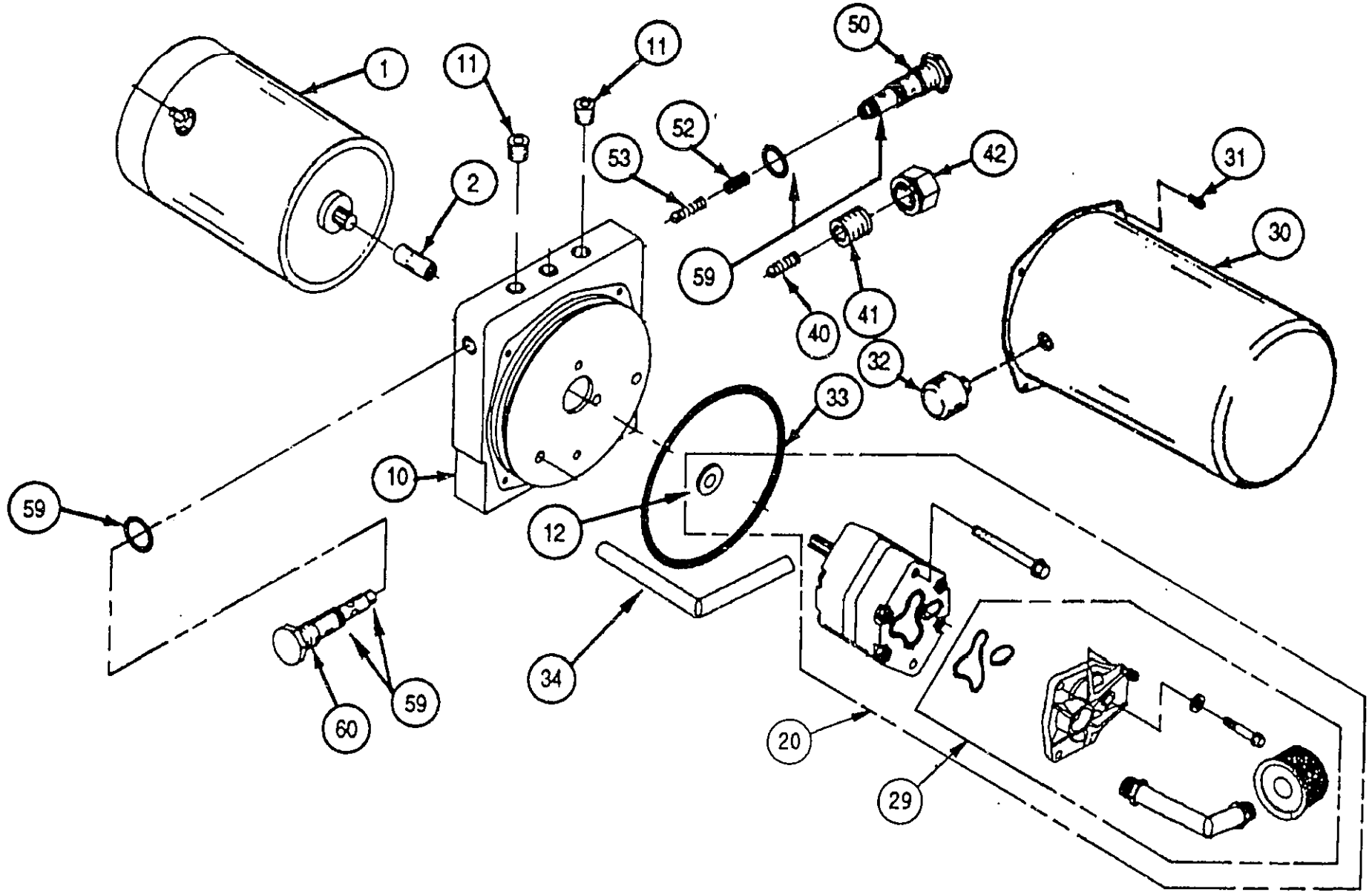
## CYLINDERS

| Part Number | Description   | PM No.                 |
|-------------|---------------|------------------------|
| 33080050    | Lift Cylinder | <a href="#">PM-241</a> |
| 33580050    | Lift Cylinder | <a href="#">PM-596</a> |
| 39080050    | Lift Cylinder | <a href="#">PM-597</a> |
| 39580050    | Lift Cylinder | <a href="#">PM-598</a> |

## HYDRAULIC PUMPS

| Part Number | Description             | Pump Mfr. | PM No.                  |
|-------------|-------------------------|-----------|-------------------------|
| 33095000    | Hydraulic Pump Assembly | Fenner    | <a href="#">PM-107A</a> |
| 33595000    | Hydraulic Pump Assembly | Fenner    | <a href="#">PM-107A</a> |
| 33095001    | Hydraulic Pump Assembly | Fenner    | <a href="#">PM-111B</a> |
| 33595001    | Hydraulic Pump Assembly | Fenner    | <a href="#">PM-111B</a> |
| 70400000    | Hydraulic Pump Assembly | Monarch   | <a href="#">PM-352</a>  |
| 70401075    | Hydraulic Pump Assembly | Monarch   | <a href="#">PM-509</a>  |
| 70400050    | Hydraulic Pump Assembly | Monarch   | <a href="#">PM-353</a>  |

**EXTERNALLY OPERATED PUMP UNIT**



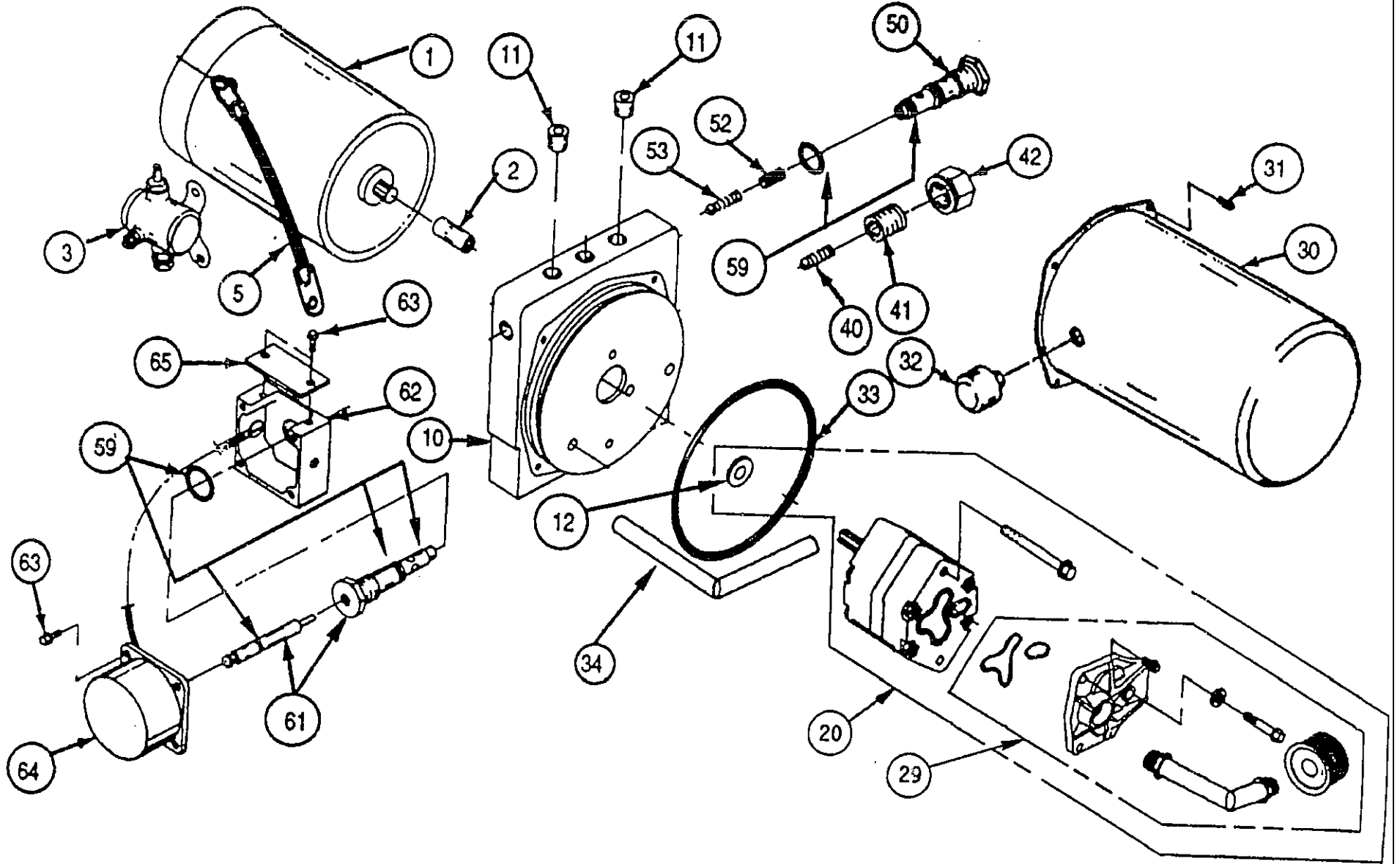
**WALTCO**  
**TRUCK EQUIPMENT CO.**  
 33095000, 33595000

REVISED: 12/1/03  
 E.O. 5221  
 REV. 01

**PM-107A**

| ITEM | PART NUMBER | QTY | DESCRIPTION            |
|------|-------------|-----|------------------------|
| 1    | 70392900    | 1   | Motor                  |
| 2    | 70091618    | 1   | Coupling               |
| 10   | 70091274    | 1   | End Head               |
| 11   | 70091291    | 2   | Plug                   |
| 12   | 70091629    | 1   | Shaft Seal             |
| 20   | 70091615    | 1   | Pump Assembly Kit      |
| 29   | 70091758    | 1   | Suction Cover Kit      |
| 30   | 70091262    | 1   | Reservoir              |
| 31   | 70091265    | 4   | Screw                  |
| 32   | 70091270    | 1   | Breather Cap           |
| 33   | 75000027    | 1   | "O" Ring               |
| 34   | 70091493    | 1   | Return Tube            |
| 40   | 70091249    | 1   | Ball                   |
|      | 70091250    | 1   | Spring                 |
| 41   | 70091295    | 1   | Adjustment Screw       |
| 42   | 70091294    | 1   | Relief Cap Assembly    |
| 50   | 70091395    | 1   | Check Cap Assembly     |
| 52   | 70091298    | 1   | Spring Retainer        |
| 53   | 70091281    | 1   | Spring & Ball Assembly |
| 59   |             |     | Valve Seal Kit         |
|      | 75000026    | 2   | "O" Ring               |
|      | 75000036    | 2   | "O" Ring               |
|      | 70091297    | 2   | Seal Ring              |
| 60   | 70091189    | 1   | Release Valve Assembly |

# Solenoid Operated Pump Unit



**WALTCO**  
**TRUCK EQUIPMENT CO.**  
 30195000, 33095001,  
 33595001

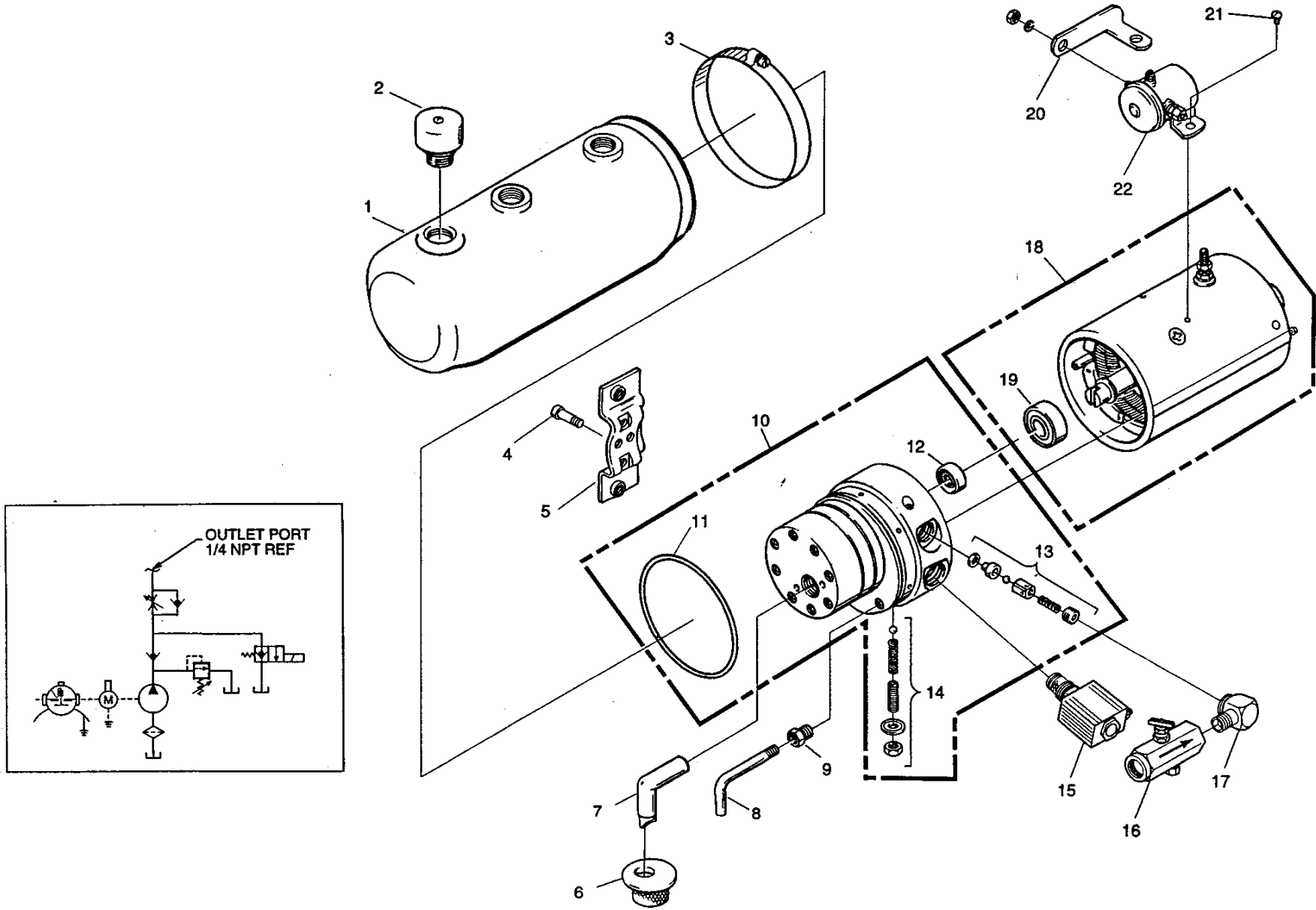
REVISED: 12/1/03  
 E.O. 5221  
 REV. 04

**PM-111B**

| ITEM | PART NUMBER | QTY | DESCRIPTION                   |
|------|-------------|-----|-------------------------------|
| 1    | 70392900    | 1   | Motor                         |
| 2    | 70091618    | 1   | Coupling                      |
| 3    | 75089822    | 1   | Starter Solenoid              |
| 5    | 70091260    | 1   | Terminal Cable Assembly       |
| 10   | 70091274    | 1   | End Head                      |
| 11   | 70091291    | 2   | Plug                          |
| 12   | 70091629    | 1   | Shaft Seal                    |
| 20   | 70091615    | 1   | Pump Assembly Kit             |
| 29   | 70091758    | 1   | Suction Cover Kit             |
| 30   | 70091262    | 1   | Reservoir                     |
| 31   | 70091265    | 4   | Screw                         |
| 32   | 70091270    | 1   | Breather Cap                  |
| 33   | 75000027    | 1   | "O" Ring                      |
| 34   | 70091493    | 1   | Return Tube                   |
| 40   | 70091249    | 1   | Ball                          |
|      | 70091250    | 1   | Spring                        |
| 41   | 70091295    | 1   | Check Cap Assembly            |
| 42   | 70091294    | 1   | Relief Cap Assembly           |
| 50   | 70091395    | 1   | Check Cap Assembly            |
| 52   | 70091696    | 1   | Spring Retainer               |
| 53   | 70091281    | 1   | Spring & Ball Assembly        |
| 59   |             |     | Valve Seal Kit                |
|      | 75000025    | 1   | "O" Ring                      |
|      | 75000026    | 2   | "O" Ring                      |
|      | 75000036    | 2   | "O" Ring                      |
|      | 70091297*   | 2   | Seal Ring                     |
| 61   | 80000722    | 1   | Release Cap Stem Assembly Kit |
| 62   | 70091358*   | 1   | Solenoid Bracket              |
| 63   | 70091352*   | 6   | Screw                         |
| 64   | 70091631    | 1   | Solenoid                      |
| 65   | 70091353*   | 1   | Cover                         |

\* Items included in switch kit 70091679

70400000 SOLENOID OPERATED



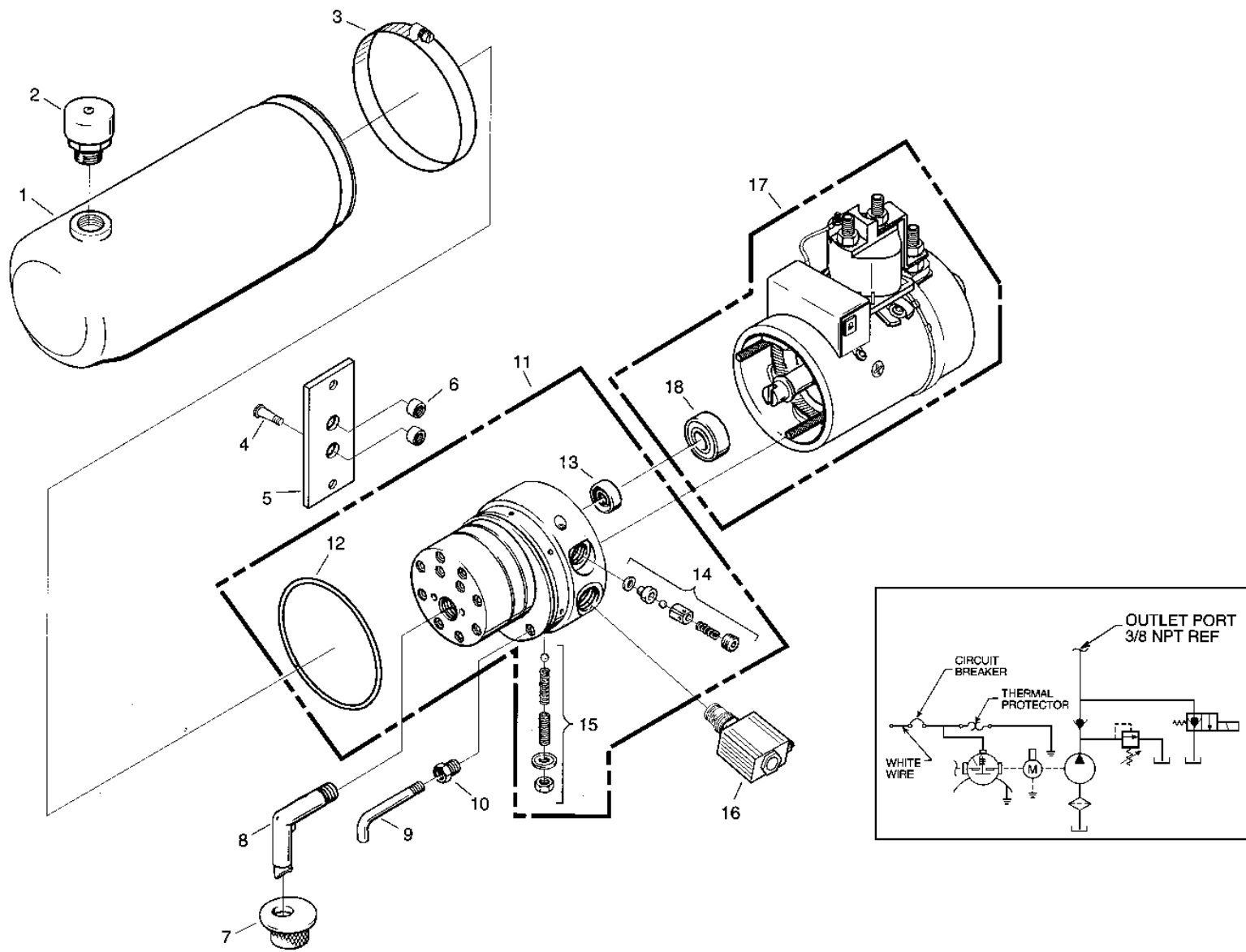
WALTCO  
TRUCK EQUIPMENT CO.  
70400000

REVISED: 12-20-96  
E.O. 3027  
REV. 02

PM-352

| ITEM | PART NUMBER | QTY | DESCRIPTION                                 |
|------|-------------|-----|---|
| 1    | 70400001    | 1   | Reservoir, Plastic                          |
| 2    | 70400004    | 1   | Breather                                    |
| 3    | 70400002    | 1   | Clamp                                       |
| 4    | 70092357    | 2   | Screw                                       |
| 5    | 70400008    | 1   | Bracket                                     |
| 6    | 70091730    | 1   | Screen                                      |
| 7    | 70091731    | 1   | Tube  |
| 8    | 70091732    | 1   | Tube  |
| 9    | 70092504    | 1   | Bushing                                     |
| 10   | 70400005    | 1   | Pump Assembly Kit<br>(includes items 11-14) |
| 11   | 70091717    | 1   | "O" Ring                                    |
| 12   | 70400006    | 1   | Seal  |
| 13   | 70400007    | 1   | Valve Assembly                              |
| 14   | 70092355    | 1   | Relief Valve Assembly                       |
| 15   | 70400003    | 1   | Valve                                       |
| 16   | 70189860    | 1   | Valve                                       |
| 17   | 75082611    | 1   | Elbow                                       |
| 18   | 70092312    | 1   | Motor Kit (includes item 19)                |
| 19   | 70091721    | 1   | Bearing                                     |
| 20   | 70091713    | 1   | Strap                                       |
| 21   | 70091712    | 2   | Screw                                       |
| 22   | 75089822    | 1   | Solenoid                                    |

70401075 GRAVITY DOWN THERMALPAK®



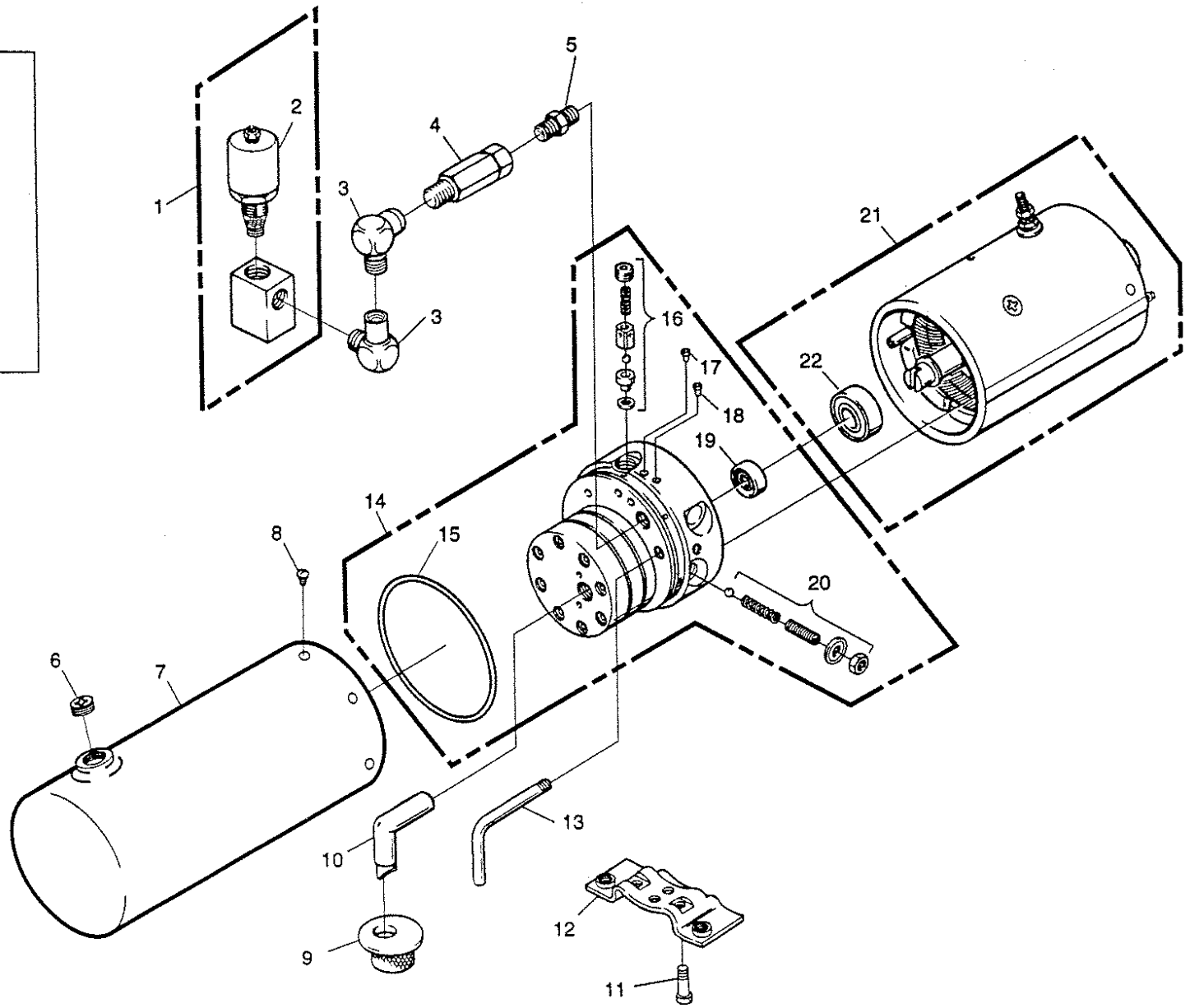
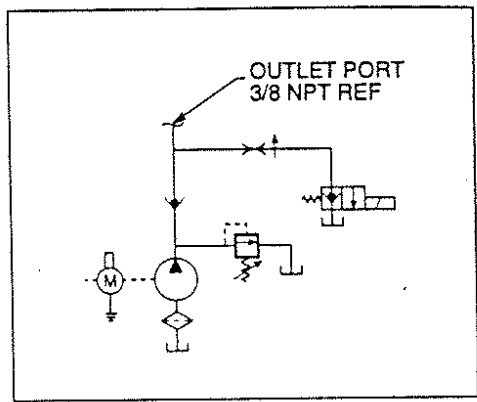
WALTCO  
TRUCK EQUIPMENT CO.

REVISED: 10-08-99  
E.O. 3659  
REV. 01

PM-509

| ITEM | PART NUMBER | QTY | DESCRIPTION                          |
|------|-------------|-----|--------------------------------------|
| 1    | 70400001    | 1   | Reservoir                            |
| 2    | 70400004    | 1   | Plug, Vent                           |
| 3    | 70400002    | 1   | Clamp                                |
| 4    | 70092357    | 2   | Screw, 3/8-16 x 1-1/4" Flat Head Cap |
| 5    | 70400481    | 1   | Bracket, Plate Mount                 |
| 6    | 70091728    | 2   | Spacer                               |
| 7    | 70091730    | 1   | Screen, Filter (Suction)             |
| 8    | 70091731    | 1   | Tube, Filter suction                 |
| 9    | 70400477    | 1   | Tube, Return                         |
| 10   | 70092504    | 1   | Bushing                              |
| 11   | 70400426    | 1   | Pump Assembly                        |
| 12   | 70091717    | 1   | O-ring                               |
| 13   | 70400006    | 1   | Seal                                 |
| 14   | 70400007    | 1   | Valve Assembly                       |
| 15   | 70092355    | 1   | Relief Valve Assembly                |
| 16   | 70400003    | 1   | Valve                                |
| 17   | 70400851    | 1   | Motor Kit (includes Item 18)         |
| 18   | 70091721    | 1   | Bearing                              |

**70400050 HYDRAULIC PUMP**



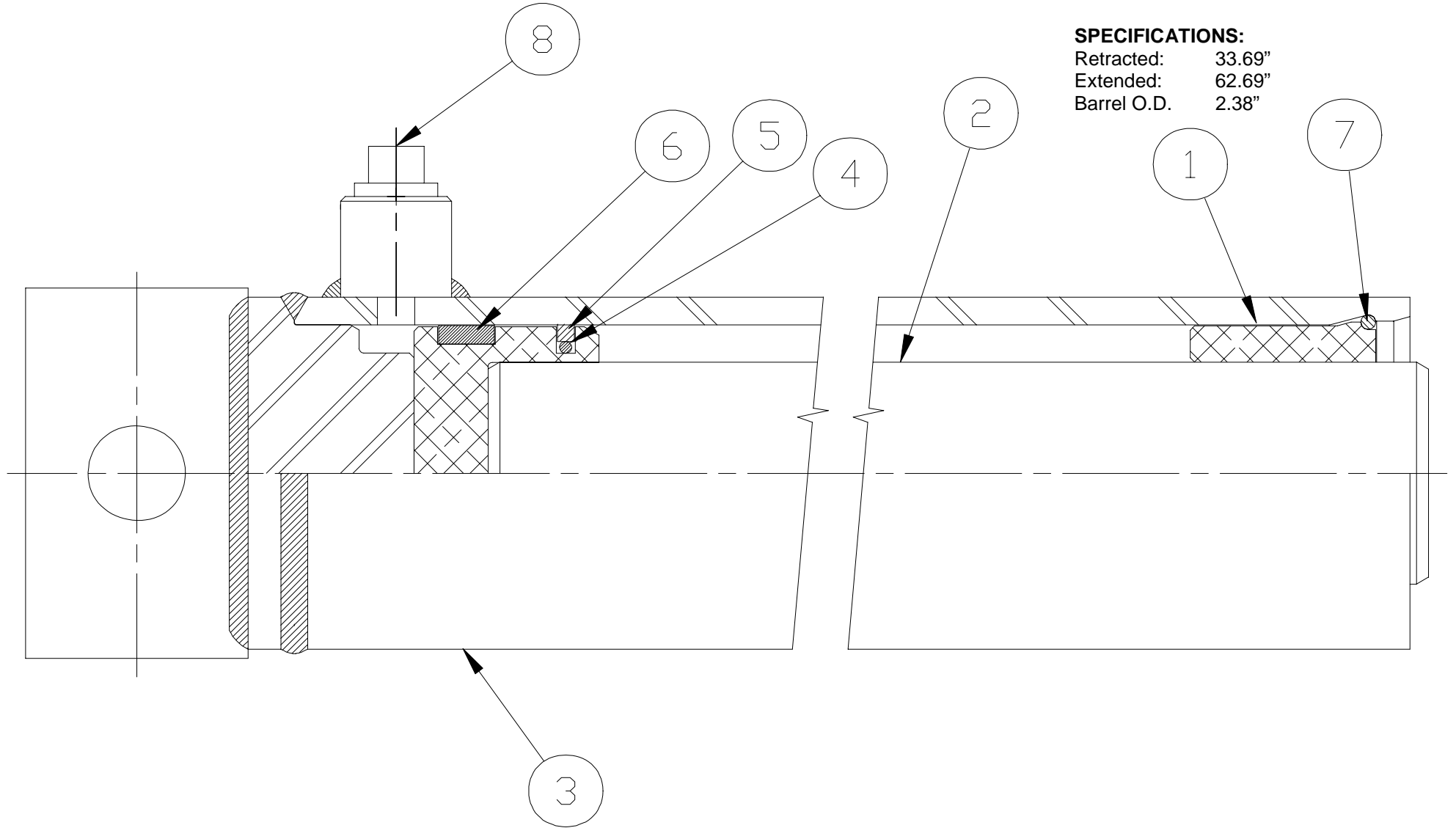
**WALTCO  
TRUCK EQUIPMENT CO.  
70400050**

REVISED: 12-20-96  
E.O. 3027  
REV. 02

**PM-353**

| ITEM | PART NUMBER | QTY | DESCRIPTION                          |
|------|-------------|-----|--------------------------------------|
| 1    | 70400051    | 1   | Valve Assembly Kit (Includes Item 2) |
| 2    | 70092418    | 1   | Valve                                |
| 3    | 70400052    | 2   | Elbow                                |
| 4    | 70400053    | 1   | 2.50 Valve Assembly                  |
| 5    | 70400054    | 1   | Nipple                               |
| 6    | 70400055    | 1   | Plug                                 |
| 7    | 70400056    | 1   | Reservoir                            |
| 8    | 70091738    | 6   | Screw                                |
| 9    | 70091730    | 1   | Screen                               |
| 10   | 70091731    | 1   | Tube                                 |
| 11   | 70092357    | 2   | Screw Fillister Head                 |
| 12   | 70400008    | 1   | Bracket                              |
| 13   | 70091732    | 1   | Tube                                 |
| 14   | 70400057    | 1   | Pump Assy Kit (Includes Items 15-20) |
| 15   | 70091717    | 1   | "O" Ring                             |
| 16   | 70400007    | 1   | Valve Assembly                       |
| 17   | 70400058    | 1   | Strain Relief                        |
| 18   | 70400059    | 1   | Strain Relief                        |
| 19   | 70400006    | 1   | Seal                                 |
| 20   | 70092355    | 1   | Relief Valve Assembly                |
| 21   | 70092312    | 1   | Motor (Includes Item 22)             |
| 22   | 70091721    | 1   | Bearing                              |

33080050



**SPECIFICATIONS:**  
 Retracted: 33.69"  
 Extended: 62.69"  
 Barrel O.D. 2.38"

**WALTCO  
 TRUCK EQUIPMENT CO.  
 33080050**

REVISED: 6-30-03  
 E.O.  
 REV. 01

**PM-241**

| ITEM | PART NUMBER | QTY | DESCRIPTION     |
|------|-------------|-----|-----------------|
| 1    | 11330-0200  | 1   | Gland           |
| 2    | 11330-1000  | 1   | Rod Assembly    |
| 3    | 11330-2000  | 1   | Barrel Assembly |
| 4    | -----*      | 1   | "O" Ring        |
| 5    | -----*      | 1   | Piston Seal     |
| 6    | -----*      | 1   | Wear Ring       |
| 7    | 4058        | 1   | Retaining Ring  |
| 8    | 4101        | 1   | Cap Plug        |

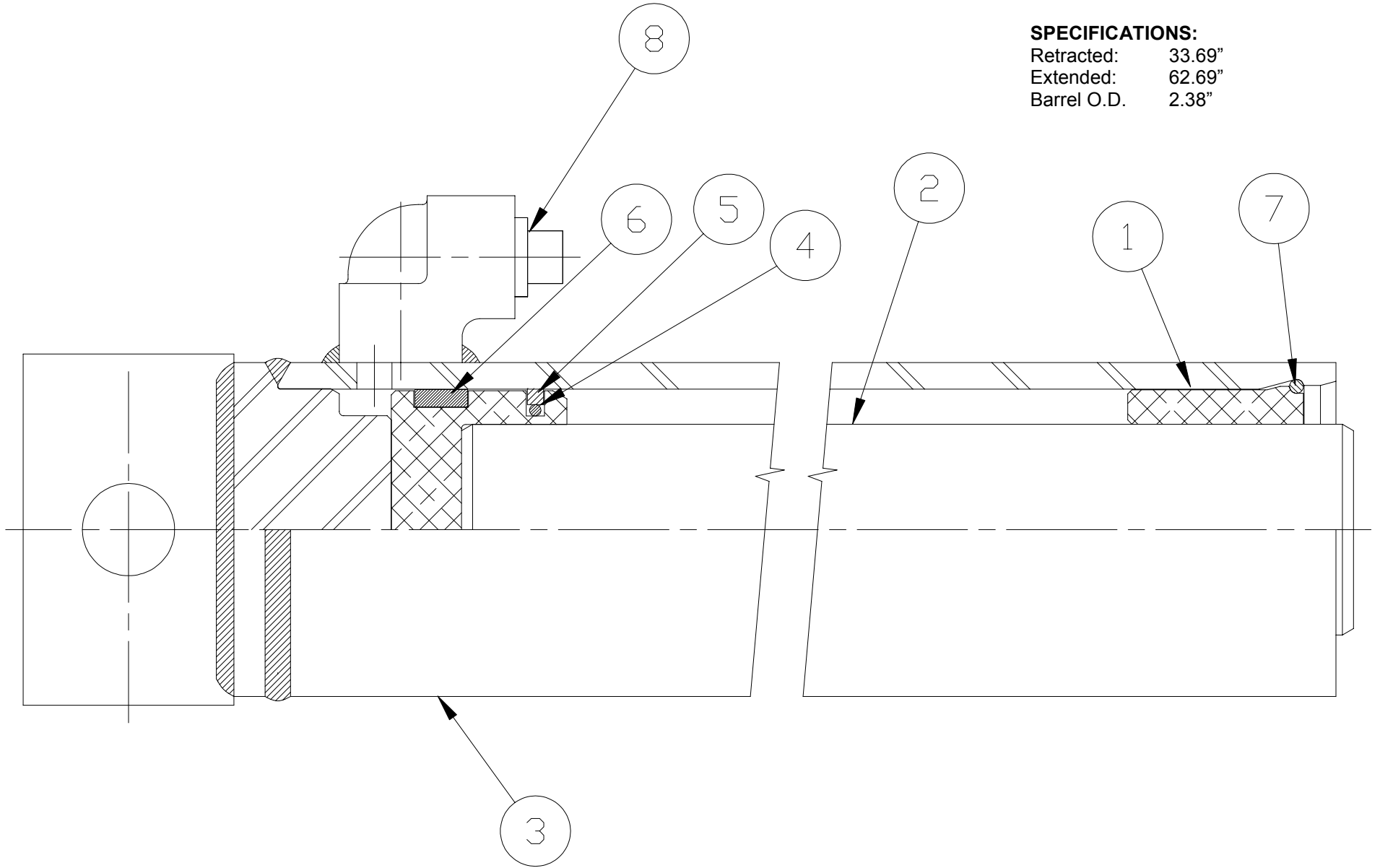
\* Indicates parts included in repair kit number 33080095.

Note: Refer to cylinder serial number located on the cylinder barrel when ordering parts.

Example: 11330-XXXXX

33580050

**SPECIFICATIONS:**  
 Retracted: 33.69"  
 Extended: 62.69"  
 Barrel O.D. 2.38"



**WALTCO**  
 TRUCK EQUIPMENT CO.  
 33580050

REVISED: 12/1/03  
 E.O. 5221  
 REV. 01

**PM-596**

| ITEM | PART NUMBER | QTY | DESCRIPTION     |
|------|-------------|-----|-----------------|
| 1    | 11330-0200  | 1   | Gland           |
| 2    | 11330-1000  | 1   | Rod Assembly    |
| 3    | 11381-2000  | 1   | Barrel Assembly |
| 4    | -----*      | 1   | "O" Ring        |
| 5    | -----*      | 1   | Piston Seal     |
| 6    | -----*      | 1   | Wear Ring       |
| 7    | 4058        | 1   | Retaining Ring  |
| 8    | 4101        | 1   | Cap Plug        |

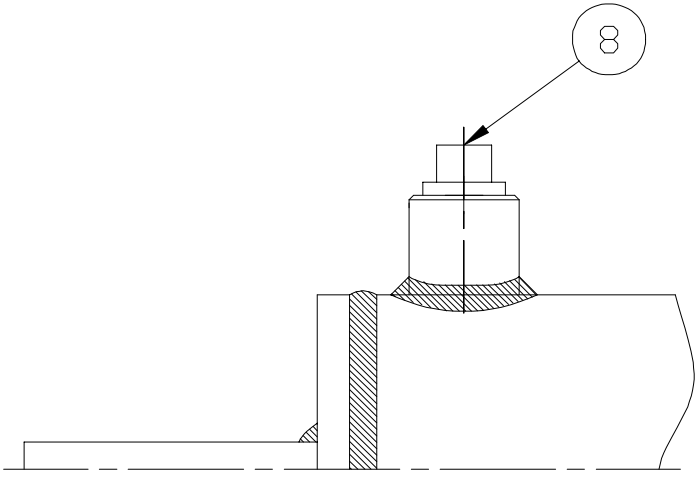
\* Indicates parts included in repair kit number 33080095.

Note: Refer to cylinder serial number located on the cylinder barrel when ordering parts.

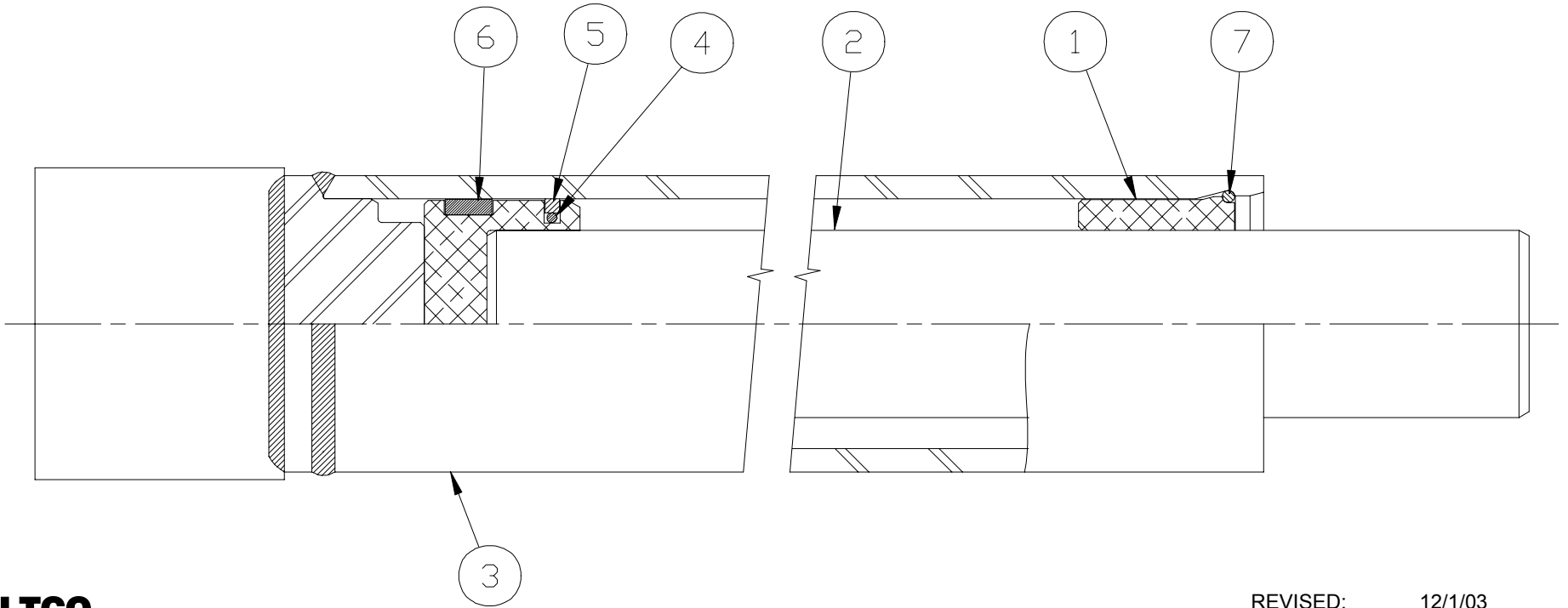
Example: 11381-XXXXX



39080050



**SPECIFICATIONS:**  
 Retracted: 27.20"  
 Extended: 52.70"  
 Barrel O.D. 2.38"



**WALTCO**  
 TRUCK EQUIPMENT CO.  
 39080050

REVISED: 12/1/03  
 E.O. 5221  
 REV. 01

**PM-597**

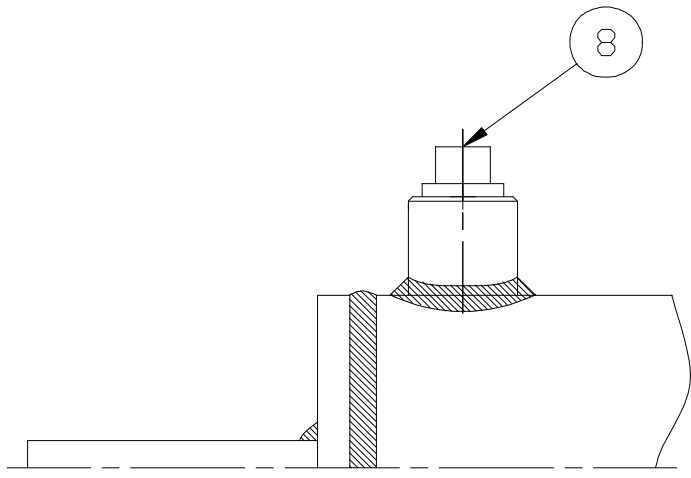
| ITEM | PART NUMBER | QTY | DESCRIPTION     |
|------|-------------|-----|-----------------|
| 1    | 11330-0200  | 1   | Gland           |
| 2    | 11412-1000  | 1   | Rod Assembly    |
| 3    | 11412-2000  | 1   | Barrel Assembly |
| 4    | -----*      | 1   | "O" Ring        |
| 5    | -----*      | 1   | Piston Seal     |
| 6    | -----*      | 1   | Wear Ring       |
| 7    | 4058        | 1   | Retaining Ring  |
| 8    | 4101        | 1   | Cap Plug        |

\* Indicates parts included in repair kit number 33080095.

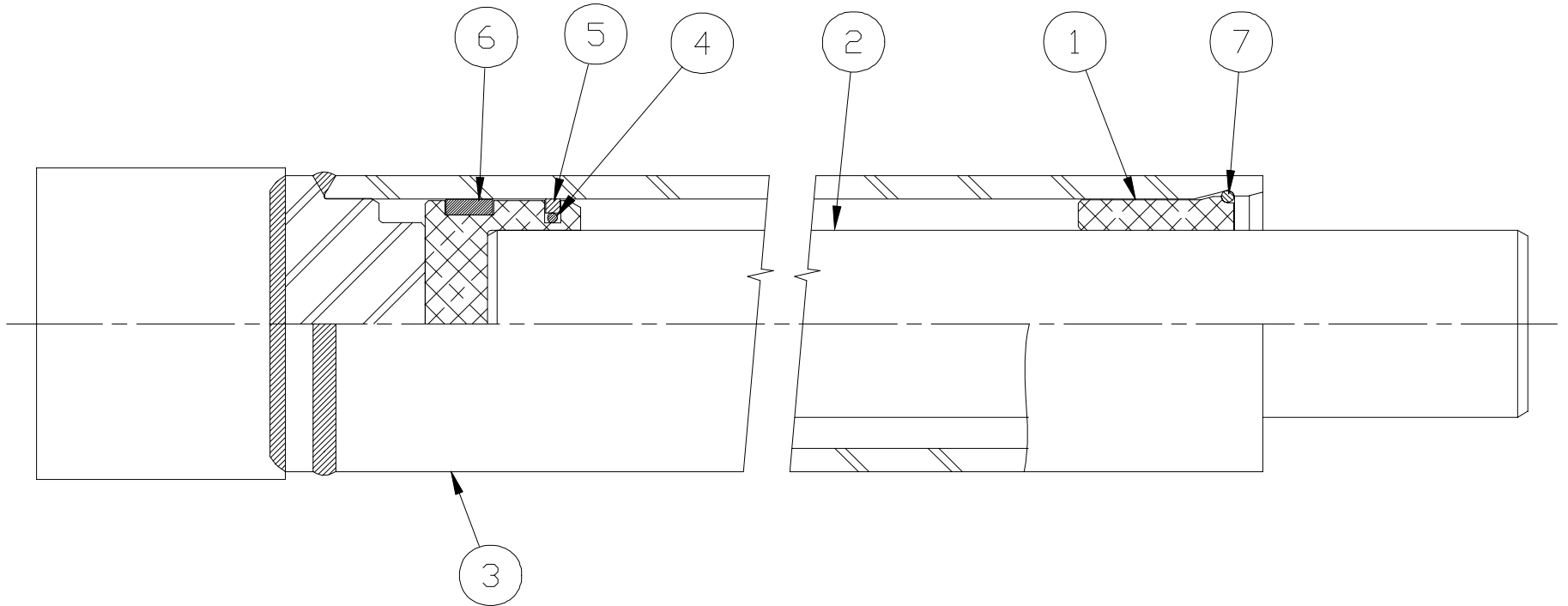
Note: Refer to cylinder serial number located on the cylinder barrel when ordering parts.

Example: 11412-XXXXX

39580050



**SPECIFICATIONS:**  
 Retracted: 34.98"  
 Extended: 61.98"  
 Barrel O.D. 2.38"



**WALTCO**  
 TRUCK EQUIPMENT CO.  
 39580050

REVISED: 12/1/03  
 E.O. 5221  
 REV. 01

**PM-598**

| ITEM | PART NUMBER | QTY | DESCRIPTION     |
|------|-------------|-----|-----------------|
| 1    | 11330-0200  | 1   | Gland           |
| 2    | 11410-1000  | 1   | Rod Assembly    |
| 3    | 11410-2000  | 1   | Barrel Assembly |
| 4    | -----*      | 1   | "O" Ring        |
| 5    | -----*      | 1   | Piston Seal     |
| 6    | -----*      | 1   | Wear Ring       |
| 7    | 4058        | 1   | Retaining Ring  |
| 8    | 4101        | 1   | Cap Plug        |

\* Indicates parts included in repair kit number 33080095.

Note: Refer to cylinder serial number located on the cylinder barrel when ordering parts.

Example: 11410-XXXXX



# WALTCO

## MDR

# TECH TIPS

|                 |  |
|-----------------|--|
| <b>TT000048</b> | Directly Interchangeable MDRRM Parts.  |
| <b>TT000060</b> | Release of MDR-200 RM (2000 lb. Capacity)  |
| <b>TT010065</b> | The MDR(RM), 36" x 89.5" +12" with Auto-Folding Bottle Gas Rails and Cam Activated Closure will be available as a standard option.           |
| <b>TT010075</b> | The use of a turnbuckle on the MDR and ACL lines of liftgates has been discontinued.   |
| <b>TT010088</b> | EO Changes to MDR Liftgates. Reduced Maximum bed height of all Standard Non-Above Floor MDR's to 48" and shortened the MDR Cylinder by 2".   |
| <b>TT020093</b> | Creation of new decal that more accurately depicts the proper operation of the platform latches.   |
| <b>TT020099</b> | MDR AP Platform Retainer Bar Assembly service parts.   |
| <b>TT020104</b> | MDR Design Changes. MDR AP Platform Retainer Bars, Cam Close Cam Follower Mount, Dock loading mechanism and latch chain, and stiffener bars. |
| <b>TT030117</b> | MDR RM Bearing and Collar Kits.  |
| <b>TT030128</b> | Consolidation of two hydraulic cylinders (39080050 and 39580050) to a single hydraulic cylinder (39580050).                                  |
| <b>TT030137</b> | Release of interchangeable Aluminum Platforms.   |
| <b>TT030139</b> | Assembly of ring terminals on terminal posts.  |
| <b>TT030146</b> | Lubrication of Reduced Maintenance Bearings.   |



# WALTCO TECH TIPS

Date: 10/2000  
No.TT000048  
Model:Mdr  
EO No. None

## DIRECTLY INTERCHANGEABLE MDRRM PARTS

The redesigned MDR Reduced Maintenance series Liftgate introduced features that reduce once necessary routine maintenance, and cut installation time significantly. With the new design came changes to the Liftgates integral parts, leaving very few parts that can be directly interchangeable with the Non-Reduced Maintenance series Liftgates. Listed below are tables of part numbers that are directly interchangeable between the two series of Liftgates.

### Main Frame Assembly Parts:

| MDRRM Part | Description                    | Is Interchangeable with | MDR Non-Rm Part | Description                    |
|------------|--------------------------------|-------------------------|-----------------|--------------------------------|
| 39528310   | 13 Tooth Sprocket with Bearing |                         | 33028010        | 13 Tooth Sprocket with Bearing |
| 39528330   | 22 Tooth Sprocket with Bearing |                         | 33028030        | 22 Tooth Sprocket with Bearing |
| 39528320   | 15 Tooth Sprocket with Bearing |                         | 33028020        | 15 Tooth Sprocket with Bearing |
| 39073000   | Chain Anchor Bolt              |                         | 33073000        | Chain Anchor Bolt              |
| 39529000   | Retainer Assembly Complete     |                         | 33529000        | Deck Retainer Assembly         |
| 39529790   | Deck Retainer Plate            |                         | 33529790        | Deck Retainer Assembly         |

### Platform Assembly Parts:

|          |                        |  |  |   |
|----------|------------------------|--|--|---|
| 39012000 | 3/8" Hinge Pin Casting |  | 33012000 Curb Side Hinge Pin &<br>33012050 Driver Side Hinge Pin &<br>33570500 3/8" Torsion Bar Anchor | Hinge Pin + Torsion Bar Anchor with 3/8" Broach |
| 39512000 | 1/2" Hinge Pin Casting |  | 33012000 Curb Side Hinge Pin &<br>33012050 Driver Side Hinge Pin &<br>33070500 1/2" Torsion Bar Anchor | Hinge Pin + Torsion Bar Anchor with 1/2" Broach |

Note: All other parts that make up the Non Reduced Maintenance MDR Liftgates will have to be ordered and made to their corresponding Non Reduced Maintenance part numbers.



# WALTCO TECH TIPS

Date: 2/9/01  
No.TT000060  
Model:MDR  
EO No. 3727V

## RELEASE OF MDR-200 RM (2000 lb. Capacity)

**The Engineering Department is processing a limited release of the MDR-200 RM.**

**This release is limited to the following:**

- Standard and Above Floor Travel (AF)
- Steel platforms only, one depth, three widths
- No Cam Close
- No Bottle Gas

**Platform sizes offered:**

- |               |               |               |
|---------------|---------------|---------------|
| • 30 x 89 + 6 | • 36 x 89 + 6 | • 42 x 89 + 6 |
| • 30 x 85 + 6 | • 36 x 85 + 6 | • 42 x 85 + 6 |
| • 30 x 81 + 6 | • 36 x 81 + 6 | • 42 x 81 + 6 |

All other configuration for the MDR will have to be handled through the Custom Team.

E.O. 3727V for the MDR-200 will be released 2/9/01. However, it may take several weeks before Manufacturing will be able to handle this as a standard order. Until then, all orders will have to be handled through the Custom Team as before.

**How the MDR-200 differs from the MDR-160:**

- MDR-200 uses larger roller chain (#60 vs #50)
- MDR-200 uses sprockets for larger roller chain
- MDR-200 H-Frame designed to use larger chain and sprockets
- MDR-200 Runners have chain anchors for larger roller chain



# WALTCO TECH TIPS

Date: 03/15/01  
No. TT010065  
Model: MDR-160(RM)  
EO No. 3727W

## **Subject: New Product Option Released**

Effective 3-15-01, The MDR(RM), 36" x 89.5" + 12" with Auto-Folding Bottle Gas Rails and Cam Activated Closure will be available as a standard option. This release is limited and will only be available as a standard option with the 36" Platform and 89.5" width. The rated capacity available is 1600 pounds. If another depth, width, or capacity is desired, the request will be considered as special and have to be processed through our Sales Quote Request system.

## **Features of the Auto-Folding Bottle Gas Gate with Cam Activated Closure:**

- 36" x 89" Steel Platform
- 12" Steel Folding Ramp with Storage Lock
- Steel Bottle Gas railing system that folds down for dock loading
- Bottle Gas railing system opens automatically when the Platform is rotated to the open position which eliminates the need to manually set up and break down the rail system
- Bottle Gas railing system stores automatically when the Platform is rotated to the stored position
- Retention Chain for securing Bottle Gas containers to the railing system
- Cam Activated Closure which eliminates the need to manually rotate the platform to the closed position

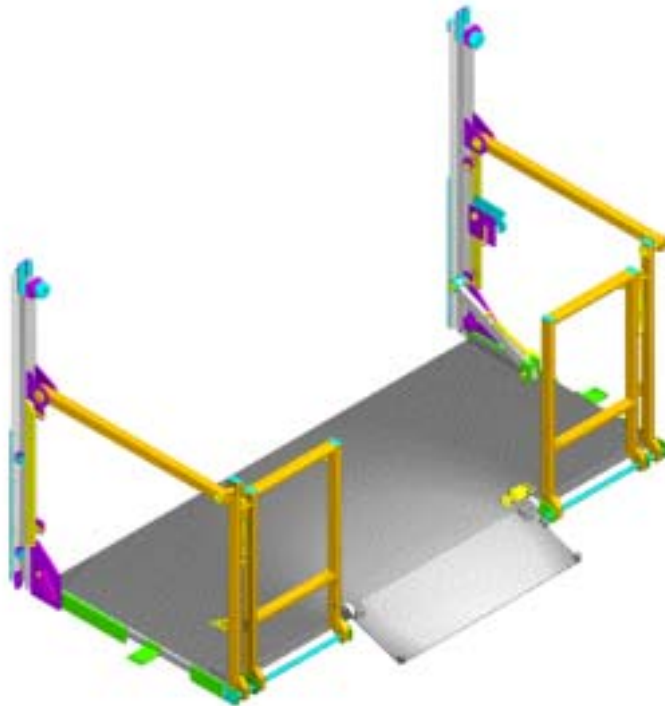
## **The Waltco Auto-Folding MDR Bottle Gas Gate includes the same great existing features that make up the Non-Bottle Gas MDR's such as:**

- **Reduced Maintenance.** Which means no more greasing of the hinge pins because of the use of composite bearings. This reduces the amount of down time due to frequent, routine maintenance.
- **Adjustable Torsion Bars.** The hinge pins allow the freedom of adjustment to increase or decrease the amount of torque exerted on the Platform.

- **Reduced Installation.** Because the hydraulic unit is mounted in the crossbeam box assembly, and the control wires are pre-wired, the Installers will significantly reduce the amount of time spent on installation.

Other Standard Options that are available in conjunction with the new release are as follows:

- SuperSwitch remote hand-held control unit
- Cab shut-off switch
- 25 or 30 foot power cable
- Factory Installed Light kit (Includes 2 Red Stop/Tail/Turn lights and 1 White Back-up light)



**MDR(RM)-160 36" x 89.5" + 12" Folding Ramp  
With Cam Activated Closure and Auto-Folding Bottle Gas  
Railing**



# WALTCO TECH TIPS

Date: 7-20-01  
No. TT010075  
Model: MDR/ACL  
EO No. 4457

## SUBJECT: Elimination of Turnbuckle

The use of a turnbuckle on the MDR & ACL lines of liftgates has been discontinued. (See Fig. 1)

### Reasons

- Eliminates the possibility of the turnbuckle unscrewing and becoming misaligned or disassembling.
- Cost savings – helps to keep the price of liftgates down.

### Changes

- A new adjustable chain anchor mounted on the runners was designed in order to compensate for the chain adjustment that was previously accomplished by the turnbuckle. (See Fig. 2)

### Chain Length Adjustments

- The deck support chain can be mounted in one of three locations on the new chain anchor in order to provide the platform angle desired.
- The support chain may be twisted some if it is necessary to shorten its length.
- Contact engineering if extra chain length is required.

### Turnbuckle Availability

- The turnbuckle will be available on a S.P. basis for those customers who wish to continue using it.

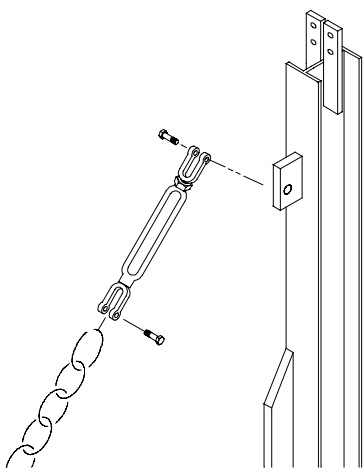


Fig. 1

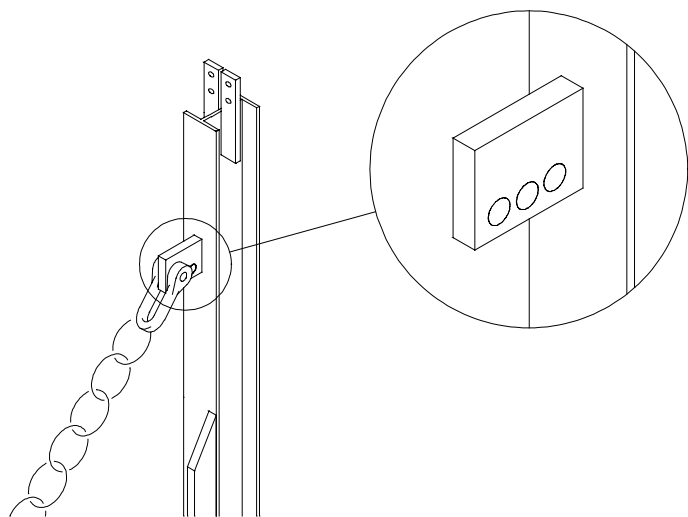


Fig. 2





# WALTCO TECH TIPS

Date: 2-01-02  
No. 010088  
Model: MDR  
EO No. 4482 & 4616

## SUBJECTS: CHANGES TO MDR LIFTGATES

- EO 4482 Reduced the Maximum Bed Height of all Standard Non-Above Floor MDR's to 48".
- EO 4616 Shortened the MDR Cylinder by 2". This will Require Special Attention when ordering Replacement Cylinders and/or Roller Chain.

## LIFTGATE CHANGES

- Shorter Cylinder
- Shorter Roller Chains

## REASON

- **E.O. 4482** - It was shown that a majority of our customers only require an MDR to reach a bed height of 48". A shorter hydraulic cylinder can be used in place of the current one to decrease the standard bed height from 54" to 48". This change effectively shortens the stroke of the Cylinder by 3-1/2".
- **E.O. 4616** – The Hydraulic Cylinder was shortened by 2" in order to match its original design specifications.

## WHAT EFFECT THIS HAS ON THE SALES PROCESS

From now on customers must specify the unloaded bed height of their vehicle when attempting to purchase a non-above floor MDR. If the bed height is 48" or less a standard gate is applicable. If the bed height is above 48" to 54" an SP gate will be needed to fill the order. If the bed height is not specified the customer will receive a standard 48" maximum bed height MDR. All Above Floor units will continue to have 54" of travel.

## REPLACEMENT PARTS

Use the following procedure for MDR RM Cylinder and Roller Chain replacements.

**STEP 1:**

Determine which Cylinder the customer has. The part number on the Cylinder will be either 410W or 412W. 410W indicates Cylinder 39580050 and 412W indicates Cylinder 39080050. See Figure 1 below for the location of the part number.

**STEP 2:**

Determine the date that the Cylinder was manufactured. The date code consists of four numbers, where the first two represent the week of manufacture and the last two represent the year of manufacture. For example, if the date code read "0502" this would indicate that the Cylinder was produced during the fifth week of the year 2002. The location of the manufacturing date is also depicted in the Figure 1.

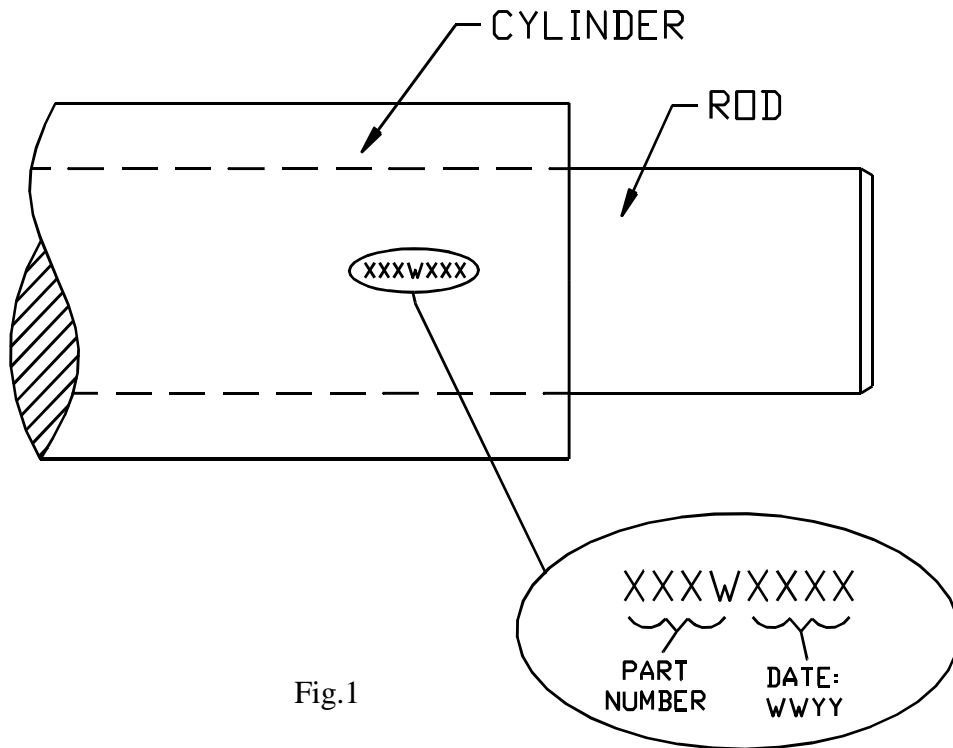


Fig.1

**STEP 3:**

Now that the date of manufacture and the part number have been established, follow the directions below to provide the correct replacement Cylinders and/or Roller Chains.

**USE CHART #1 IF . . .**

- Hydraulic Cylinder **39580050 (410W)** is dated on or after 3701 and the customer is replacing the Roller Chains **ONLY**.
- Hydraulic Cylinder **39580050 (410W)** has any date and the customer is replacing **BOTH** the Cylinder and the Roller Chains.

|                     |              | <b>CYLINDER 39580050</b>          |                |                      |            |               |
|---------------------|--------------|-----------------------------------|----------------|----------------------|------------|---------------|
|                     |              | <b>MODEL NUMBER FROM SPEC TAG</b> |                |                      |            |               |
| <b>ROLLER CHAIN</b> | <b>WIDTH</b> | <b>C.S./D.S.</b>                  | <b>125/160</b> | <b>125 AF/160 AF</b> | <b>200</b> | <b>200 AF</b> |
|                     | <b>86</b>    | <b>C.S.</b>                       | 39073501       | 39173501             | 39773500   | 39973501      |
|                     |              | <b>D.S.</b>                       | 39573571       | 39673571             | 39773571   | 39973571      |
|                     | <b>90</b>    | <b>C.S.</b>                       | 39073501       | 39173501             | 39773500   | 39973501      |
|                     |              | <b>D.S.</b>                       | 39573561       | 39673561             | 39773561   | 39973561      |
|                     | <b>94</b>    | <b>C.S.</b>                       | 39073501       | 39173501             | 39773500   | 39973501      |
|                     |              | <b>D.S.</b>                       | 39573551       | 39673551             | 39773562   | 39973551      |

**CHART 1**

**USE CHART #2 IF . . .**

- Hydraulic Cylinder **39580050 (410W)** is dated before 3701 and the customer is replacing the Roller Chains **ONLY**.

|                     |              | <b>CYLINDER 39580050 CORRECTIONS</b> |                |                      |            |               |
|---------------------|--------------|--------------------------------------|----------------|----------------------|------------|---------------|
|                     |              | <b>MODEL NUMBER FROM SPEC TAG</b>    |                |                      |            |               |
| <b>ROLLER CHAIN</b> | <b>WIDTH</b> | <b>C.S./D.S.</b>                     | <b>125/160</b> | <b>125 AF/160 AF</b> | <b>200</b> | <b>200 AF</b> |
|                     | <b>86</b>    | <b>C.S.</b>                          | 99383054       | 99383061             | 99383065   | 99383069      |
|                     |              | <b>D.S.</b>                          | 99383058       | 99383062             | 99383066   | 99383070      |
|                     | <b>90</b>    | <b>C.S.</b>                          | 99383054       | 99383061             | 99383065   | 99383069      |
|                     |              | <b>D.S.</b>                          | 99383059       | 99383063             | 99383067   | 99383071      |
|                     | <b>94</b>    | <b>C.S.</b>                          | 99383054       | 99383061             | 99383065   | 99383069      |
|                     |              | <b>D.S.</b>                          | 99383060       | 99383064             | 99383068   | 99383072      |

**CHART 2**

If the customer has a **39580050 (410W)** Cylinder dated before 3701 and is replacing the Cylinder **ONLY**, instruct them to trim 8” off of their current Roller Chains (C.S. and D.S.) before installing the new Cylinder. If the chains are not shortened, the platform will stop 8” below bed height. Include two Connecting Link Assemblies (80000419) with the parts order.

**USE CHART #3 IF . . .**

- Hydraulic Cylinder **39080050 (412W)** has any date and the Cylinder needs to be replaced, the Roller Chains need to be replaced, or both the Cylinder and Roller Chains need to be replaced.

|                     |              | <b>CYLINDER 39080050</b>          |                |                      |            |               |
|---------------------|--------------|-----------------------------------|----------------|----------------------|------------|---------------|
|                     |              | <b>MODEL NUMBER FROM SPEC TAG</b> |                |                      |            |               |
| <b>ROLLER CHAIN</b> | <b>WIDTH</b> | <b>C.S./D.S.</b>                  | <b>125/160</b> | <b>125 AF/160 AF</b> | <b>200</b> | <b>200 AF</b> |
|                     | <b>86</b>    | <b>C.S.</b>                       | 39073502       | 99383073             | 39773502   | 99383077      |
|                     |              | <b>D.S.</b>                       | 39573572       | 99383074             | 39773575   | 99383078      |
|                     | <b>90</b>    | <b>C.S.</b>                       | 39073502       | 99383073             | 39773502   | 99383077      |
|                     |              | <b>D.S.</b>                       | 39573573       | 99383075             | 39773576   | 99383079      |
|                     | <b>94</b>    | <b>C.S.</b>                       | 39073502       | 99383073             | 39773502   | 99383077      |
|                     |              | <b>D.S.</b>                       | 39573574       | 99383076             | 39773577   | 99383081      |

**CHART 3**



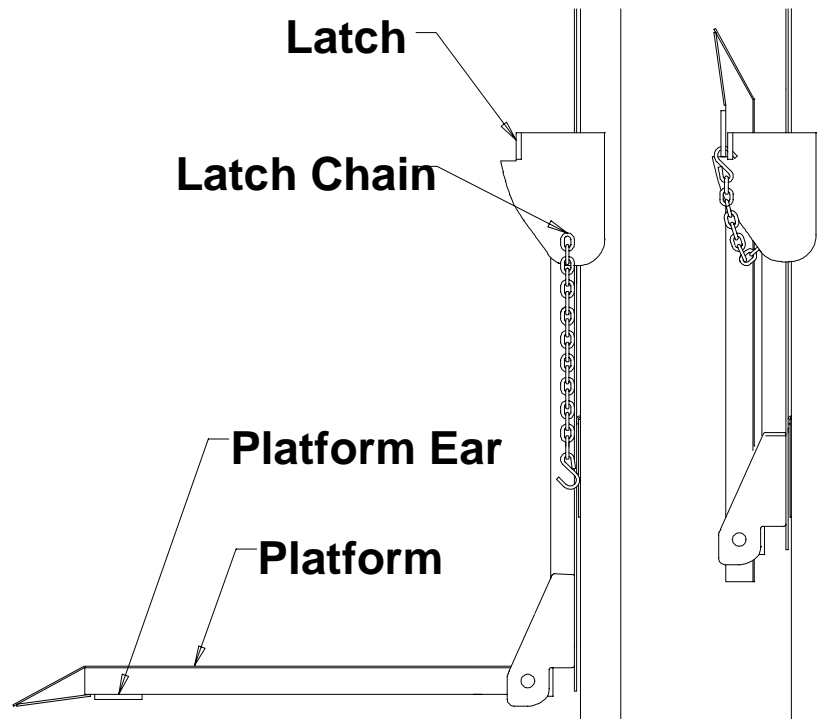
# WALTCO TECH TIPS

Date: 03-25-02  
No. TT020093  
Model: MDR

Waltco has created a new decal that more accurately depicts the proper operation of the platform latches. This new decal (# 90185205) replaces decal 80101205 that came with the liftgate. These decals are of the same exact dimensions so the new decal can be overlaid onto the old one.

It is imperative that the transit latch chains be employed when the platform is in the stored position. If the latch chains are not used platform damage will occur. The latch chains prevent the platform from bouncing while in transit. If the platform bounces in the latches the platform ears will dislodge.

If it proves difficult to engage the transit latch chains please contact Waltco for assistance at 1-800-411-5685.





# WALTCO TECH TIPS

Date: 6/14/02  
No. 020099  
Model: MDR AP  
EO No. 4783

**SUBJECT:** MDR AP Platform Retainer Bar Assembly service parts.

Engineering has improved the design of the MDR AP Platform Retainer Bar Assembly. In order to accommodate the customer with the necessary means to install the new Platform Retainer Bar Assemblies, Retro kits have been created for service parts.

These Retro kits are being released in advance of changes to production platforms. Changes to production platforms should be implemented some time in July, 2002.

There are two Retro kits listed below that will be available. The third kit (99383229) is only to be sent to customers who do not possess the threaded insert tool or a 17/32" drill bit.

| <b>RETRO KIT</b> | <b>DESCRIPTION</b>  | <b>LIFTGATE</b>  |
|------------------|---|------------------|
| 99383225         | RETRO KIT, MDR AP PLATFORM RETAINER BAR ASSEMBLY, STANDARD  | MDR AP STANDARD  |
| 99383226         | RETRO KIT, MDR AP PLATFORM RETAINER BAR ASSEMBLY, CAM CLOSE | MDR AP CAM CLOSE |
| 99383229         | KIT, DRILL BIT AND INSERT TOOL, REF 3/8" THREADED INSERTS   | TOOL KIT         |



# WALTCO TECH TIPS

Date: 7/31/02  
No. TT020104  
Model: MDR  
EO No. 4757

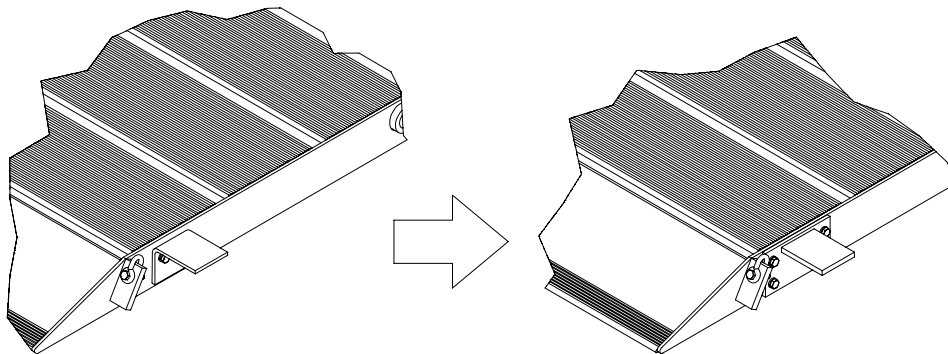
## SUBJECT: MDR DESIGN CHANGES

Engineering has made several design changes to the MDR line of liftgates to improve the quality, function and reliability of the gate. The following summarizes the changes that were made and explains the impact they have on the performance of the liftgate.

### CHANGE #1

#### MDR AP PLATFORM RETAINER BARS

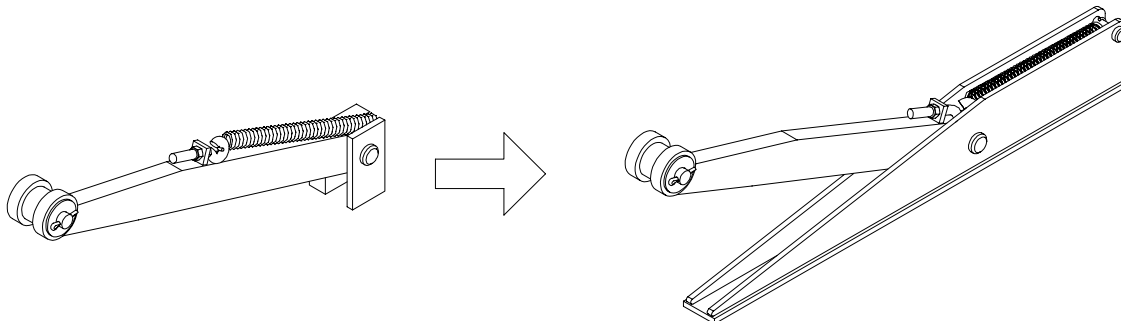
The Aluminum Platform Retainer Bars were redesigned to be more resistant to fatigue caused by vibrations and impacts that they may see in extreme operating conditions. This was done by designing a Retainer Bar to use four mounting bolts instead of two, spreading the bolt pattern over a wider area and by increasing the thickness of the Bar.



### CHANGE #2

#### MDR CAM CLOSE CAM FOLLOWER MOUNT

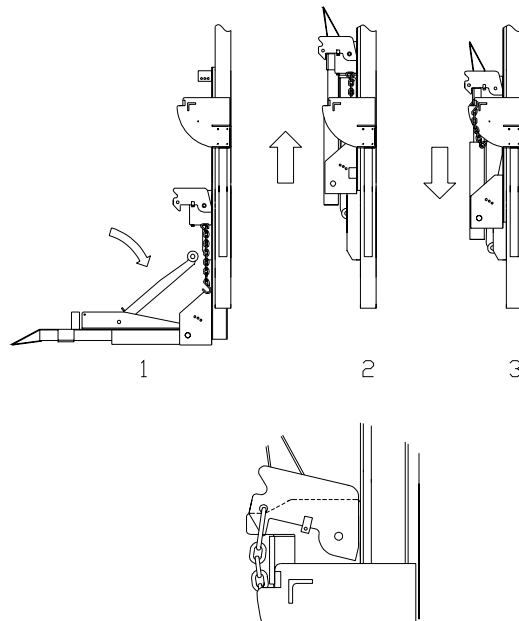
The Cam Follower Mount Assembly on the platform has been lengthened and redesigned to better guide the Follower into its proper position relative to the Cam on the Cross Beam Box. The cam follower spring has been moved to a protected area at the rear of the arm to create an unobstructed area on top of the arm for easy activation.



### CHANGE #3

#### DOCK LOADING MECHANISM and LATCH CHAIN

Engineering has made changes to the latch system. All MDR cam close gates now come standard with dock loading capabilities. There are new procedures for dock loading as described below. These new procedures are also found on the revised Operation Decal.



#### TO DOCK LOAD

- A. Unhook both **Latch Chains** from **Catches**.
- B. Pivot **Latch** to open position and hook **Latch Chain** through hole, such that it wraps around the **Retainer Bar** and retains the **Latch** in the open position.
- C. Raise platform to clear **Catches**.
- D. Lower platform making sure that the **Retainer Bar** is securely cradled by the **Latch Chain**.
- E. Continue lowering platform until dock loading can be accomplished.
- F. Reverse steps to store platform for transit.

**\*DO NOT LEAVE PLATFORM IN DOCK LOADING POSITION DURING TRANSIT\***

### CHANGE #4

#### MDR STIFFENER BARS

The Stiffener Bars have been removed from all MDR runners. Stiffener Bars are no longer required due to a previous design change made to Runners and Bearings in July 2000.

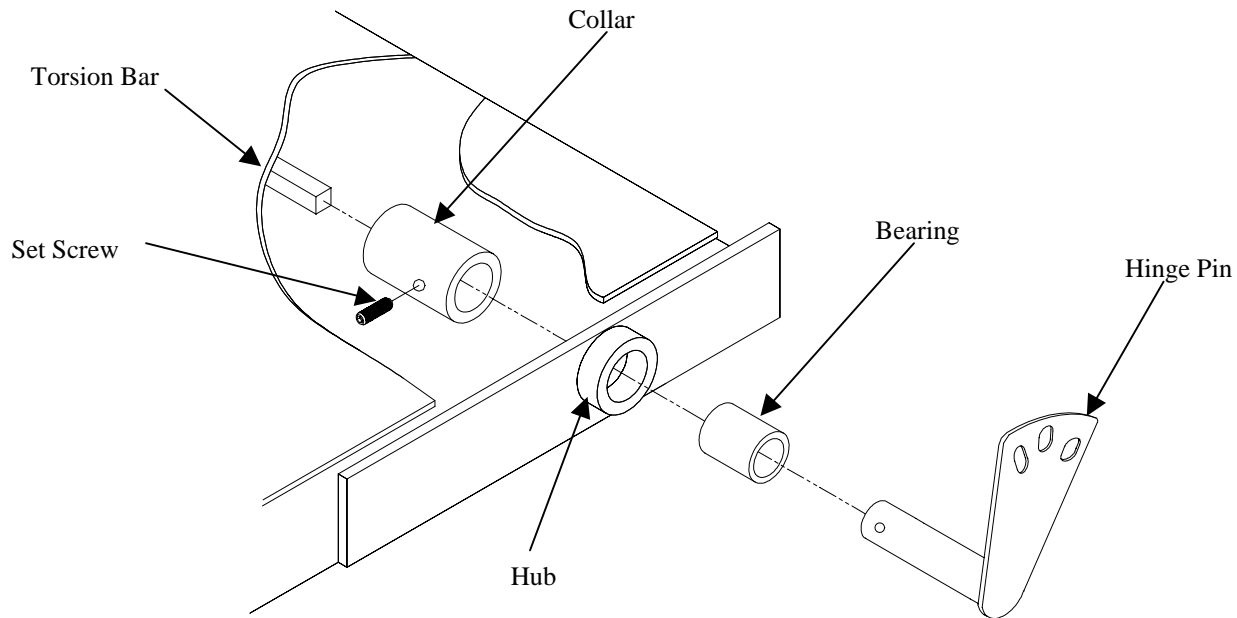




# WALTCO TECH TIPS

Date: 1-10-03  
No. TT030117  
Model: MDR  
EO No. 4943

**Subject:** MDR RM Bearing & Collar Kits



- Three Kits have been created to assist if a Torsion Bar comes free. This situation normally occurs when a Bearing “walks” out of a Hub.
- A Collar Kit was created to help retain the Bearings and Torsion Bar. All new gates will be equipped with Collars.

80000993 – Collar Kit – (2) Collars, (2) Set Screws, Installation Instructions

- Bearing Kits were created to provide all necessary parts and instructions to replace Bearings in a single kit.

80000995 – Aluminum Platform Bearing Kit – (4) Short Bearings, Adhesive, Installation Instructions

80000994 – Steel Platform Bearing Kit – (2) Long Bearings, Adhesive, Installation Instructions

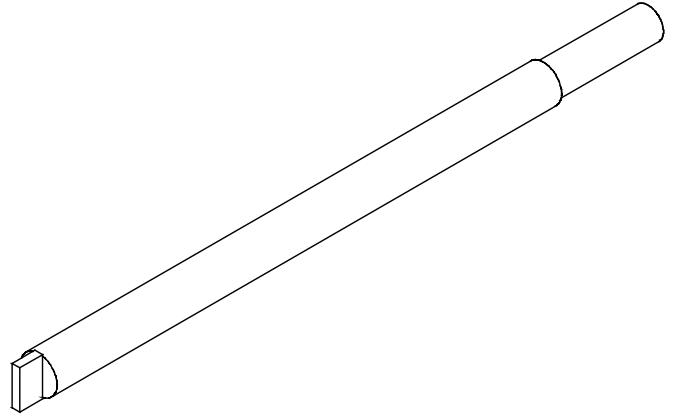
- These kits apply to MDR RM models **ONLY**.



# WALTCO TECH TIPS

Date: 05-02-03  
No. TT030128  
Model: MDR  
EO No. 5066

- The MDR product line is consolidating from two hydraulic cylinders (39080050 & 39580050) to a single hydraulic cylinder (39580050).
- This reverses a change made in January 2002 that took the MDR product line from one hydraulic cylinder (39580050) to two cylinders (39080050 & 39580050).
- The standard MDR can now be mounted on bed heights up to 54". The above floor MDR can be mounted on bed heights up to 48" and can travel a maximum of 54" above the ground.
- Tallmadge & Gardena effectivity date is set to 06-06-03.
- Use the following procedures to determine proper service parts for hydraulic cylinder and/or roller chains.



GR00306

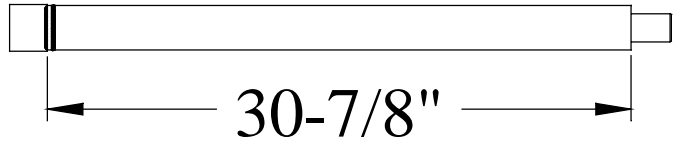
## Case I – Replacing Cylinder & Roller Chains

- Replace any cylinder with 39580050.
- Replace roller chains with those listed in the bills after the 06-06-03 effectivity date or use the part numbers shown in "Chart I".
- Note: Include (4) new master link kits.  
80000419 - #50, MDR 125, 160  
80000609 - #60, MDR 200

| Chart I         |           |             |          |          |
|-----------------|-----------|-------------|----------|----------|
|                 | Curb Side | Driver Side |          |          |
| Width           |           | 86"         | 90"      | 94"      |
| MDR 125, 160    | 39073501  | 39573571    | 39573561 | 39573551 |
| MDR AF 125, 160 | 39173501  | 39673571    | 39673561 | 39673551 |
| MDR 200         | 39773500  | 39773571    | 39773561 | 39773562 |
| MDR AF 200      | 39973501  | 39973571    | 39973561 | 39973551 |

**Case II – Replacing Cylinder Only**

- Determine cylinder by measuring barrel length.
- If length is equal to 30-7/8”, replace with 39580050 and leave roller chains alone.
- If the length is not equal to 30.85”, replace with 39580050 and replace roller chains with those listed in the bills after the 06-06-03 effectivity date or use the part numbers shown in “Chart I”.
- Note: Include (4) new master link kits.  
80000419 - #50, MDR 125, 160  
80000609 - #60, MDR 200

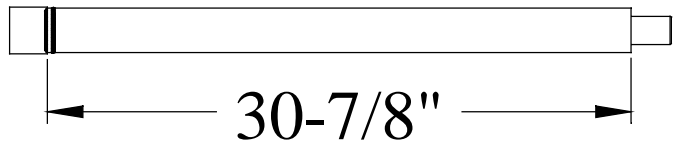


| Chart I         |           |             |          |          |
|-----------------|-----------|-------------|----------|----------|
|                 | Curb Side | Driver Side |          |          |
| Width           |           | 86"         | 90"      | 94"      |
| MDR 125, 160    | 39073501  | 39573571    | 39573561 | 39573551 |
| MDR AF 125, 160 | 39173501  | 39673571    | 39673561 | 39673551 |
| MDR 200         | 39773500  | 39773571    | 39773561 | 39773562 |
| MDR AF 200      | 39973501  | 39973571    | 39973561 | 39973551 |

GR00307

**Case III – Replacing Roller Chains Only**

- Determine cylinder by measuring barrel length.
- If length is equal to 30-7/8”, replace roller chains with those listed in the bills after the 06-06-03 effectivity date or use the part numbers shown in “Chart I”.
- Note: Include (4) new master link kits.  
80000419 - #50, MDR 125, 160  
80000609 - #60, MDR 200
- If the length is not equal to 30-7/8”, use “Chart II” to determine the appropriate chain replacement kit.



| Chart I         |           |             |          |          |
|-----------------|-----------|-------------|----------|----------|
|                 | Curb Side | Driver Side |          |          |
| Width           |           | 86"         | 90"      | 94"      |
| MDR 125, 160    | 39073501  | 39573571    | 39573561 | 39573551 |
| MDR AF 125, 160 | 39173501  | 39673571    | 39673561 | 39673551 |
| MDR 200         | 39773500  | 39773571    | 39773561 | 39773562 |
| MDR AF 200      | 39973501  | 39973571    | 39973561 | 39973551 |

| Chart II        |          |
|-----------------|----------|
| MDR 125, 160    | 80001021 |
| MDR AF 125, 160 | 80001022 |
| MDR 200         | 80001023 |
| MDR AF 200      | 80001024 |

GR00307



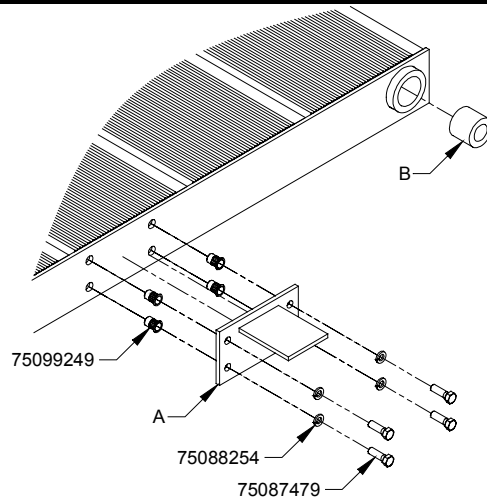
# WALTCO TECH TIPS

Date: 07-17-03  
No. TT030137  
Model: MDR, ACL  
EO No. 3727R & 5138

Waltco's engineering department has released interchangeable aluminum platforms for the MDR and ACL product lines. This change will reduce inventory, accelerate part orders, and convert the ACL to a Reduced Maintenance liftgate.

### Interchangeable Aluminum Platforms

- Interchangeable aluminum platform weldments have been released for the ACL & MDR product lines. The effectivity date for this change is 9-01-03.
- ACL & MDR platforms are differentiated at the assembly level by the type of retainer bar and bearing used.
- All existing ACL & MDR aluminum platforms are now service only.
- New aluminum platforms can NOT be used as service parts for older ACL liftgates.
- New aluminum platforms can be used as service parts for older MDR RM liftgates.

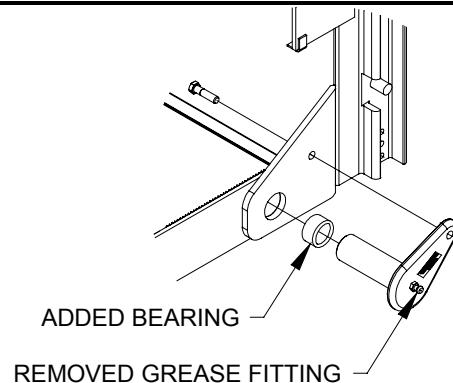


|             | A        | B        |
|-------------|----------|----------|
| MDR         | 39511560 | 10010172 |
| MDR CC      | 39511581 | 10010172 |
| ACL, ACL CC | 34011561 | 10010173 |

GR00449

### ACL Reduced Maintenance

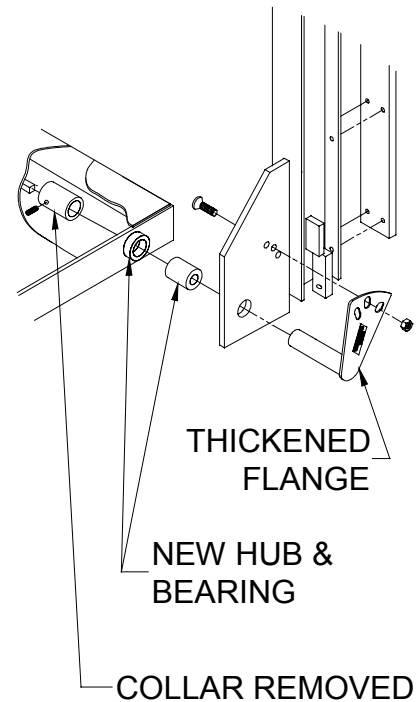
- The ACL has been converted to a Reduced Maintenance liftgate by removing the grease fitting from the hinge pin and adding a greaseless bearing to the platform hub.
- ACL hinge pins will still accept grease fittings so they can be used as service parts for older liftgates.



GR00550

### Hinge Pins and Collars

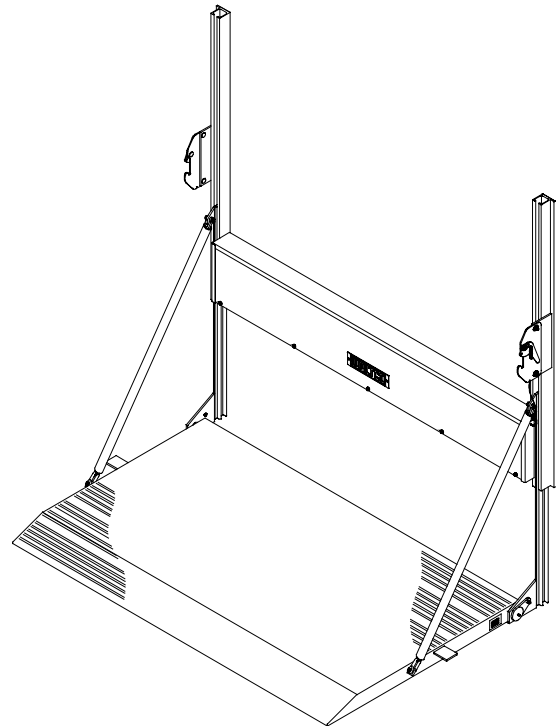
- Collars were removed from MDR aluminum decks but are used on MDR steel decks.
- A stepped hub is now used to retain the bearings from sliding out.
- All MDR pins will accept collars so they can be used as service parts for older liftgates
- Broaches in MDR pins were deepened to increase torsion bar engagement and prevent torsion bars from sliding out.
- The flange on MDR pins was thickened.
- All ACL & MDR hinge pins will retain their part numbers and can be used as service parts for older liftgates. The Waltco logo and part number will be cast into pin flange.



GR00551

### Mainframes

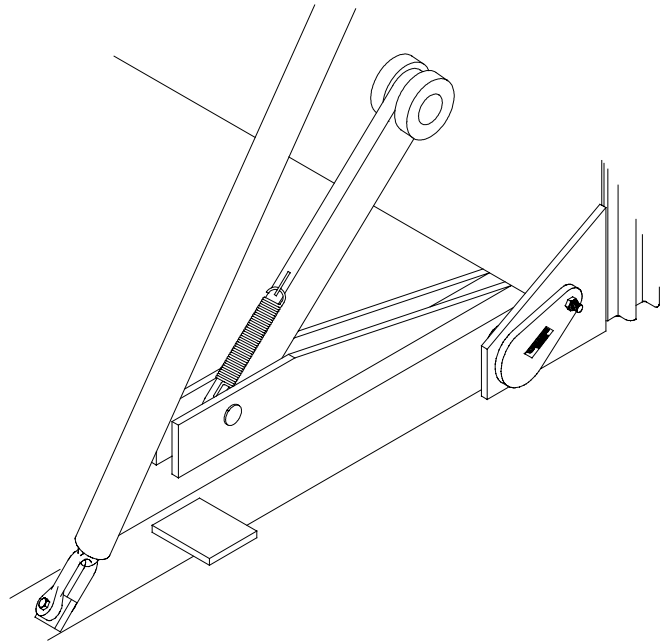
- New ACL mainframes were released to mate with the interchangeable platforms. The new mainframes are 1/4" narrower.
- All existing ACL mainframes are now service only.
- New ACL mainframes can NOT be used as service parts for older liftgates.
- MDR mainframes have not changed and will continue to be used as service parts for older liftgates.



GR00552

### Cam Close

- All ACL & MDR cams were widened to 4" to increase engagement and spread load.
- Wider Rollers were added to all ACL & MDR cam followers.
- MDR cam close mainframes can be used as service parts for older liftgates.
- MDR cam close platforms can NOT be used as service parts for older liftgates due to wider wheels and relocation of the cam follower on the platform.
- ACL platform cam mounts have been changed to the longer MDR style for better alignment with the cam.



GR00553

### Manuals

- ACL & MDR owner's manuals and parts manuals have been updated for this change.

| Manual     | Part #   | Rev |
|------------|----------|-----|
| ACL O/M    | 80134002 | 14  |
| ACL CC O/M | 80134202 | 5   |
| MDR O/M    | 80139002 | 8   |
| MDR CC O/M | 80139402 | 8   |

**Part Number Cross Reference**

| <b>Aluminum Platforms</b> |            |            |
|---------------------------|------------|------------|
| <b>Description</b>        | <b>New</b> | <b>Old</b> |
| 63-1/2 x 85-1/2 + 9       | 34011097   | 34011025   |
| 63-1/2 x 85-1/2 + 9 CC    | 34011098   | 34011071   |
| 72-1/2 x 85-1/2 + 9 CC    | 34011099   | 34011072   |
| 27-1/2 x 81-1/2 + 9       | 39511070   | 39511009   |
| 36-1/2 x 81-1/2 + 9       | 39511071   | 39511010   |
| 45-1/2 x 81-1/2 + 9       | 39511072   | 39511011   |
| 54-1/2 x 81-1/2 + 9       | 39511073   | 39511012   |
| 45-1/2 x 81-1/2 + 9 CC    | 39511074   | 39511061   |
| 54-1/2 x 81-1/2 + 9 CC    | 39511075   | 39511062   |
| 27-1/2 x 85-1/2 + 9       | 39511080   | 39511005   |
| 36-1/2 x 85-1/2 + 9       | 39511081   | 39511006   |
| 45-1/2 x 85-1/2 + 9       | 39511082   | 39511007   |
| 54-1/2 x 85-1/2 + 9       | 39511083   | 39511008   |
|                           |            | 34011006   |
| 45-1/2 x 85-1/2 + 9 CC    | 39511084   | 39511057   |
| 54-1/2 x 85-1/2 + 9 CC    | 39511085   | 39511058   |
|                           |            | 34011070   |
| 27-1/2 x 89-1/2 + 9       | 39511090   | 39511001   |
| 36-1/2 x 89-1/2 + 9       | 39511091   | 39511002   |
| 45-1/2 x 89-1/2 + 9       | 39511092   | 39511003   |
| 54-1/2 x 89-1/2 + 9       | 39511093   | 39511004   |
| 45-1/2 x 89-1/2 + 9 CC    | 39511094   | 39511053   |
| 54-1/2 x 89-1/2 + 9 CC    | 39511095   | 39511054   |

| <b>ACL Main Frames</b>      |            |            |
|-----------------------------|------------|------------|
| <b>Description</b>          | <b>New</b> | <b>Old</b> |
| ACL-16, LB, 92"             | 34020061   | 34020020   |
| ACL-16, 92"                 | 34020062   | 34020030   |
| ACL-16, CC, 92"             | 34020063   | 34220051   |
| ACL-16, LB, L.D.V., 92"     | 34020071   | 34020013   |
| ACL-16, L.D.V., 92"         | 34020072   | 34020033   |
| ACL-16, CC, L.D.V., 92"     | 34020073   | 34220050   |
| ACL-16, LB, CC, L.D.V., 92" | 34020074   | 34220060   |
| ACL-20, 92"                 | 34220061   | 34220000   |
| ACL-20, CC, 92"             | 34220063   | 34220056   |
| ACL-20, L.D.V., 92"         | 34220071   | 34220000   |
| ACL-20, CC, L.D.V., 92"     | 34220073   | 34220055   |
| ACL-20, EB, 92"             | 34420062   | 34420010   |

| <b>Cam Follower</b> |            |            |
|---------------------|------------|------------|
| <b>Description</b>  | <b>New</b> | <b>Old</b> |
| MDR Cam Follower    | 39540755   | 39540750   |
| MDR AP Cam Follower | 39540755   | 39540750   |
| ACL Cam Follower    | 34040750   | 34050080   |
| ACL LB Cam Follower | 34040750   | 34040750   |

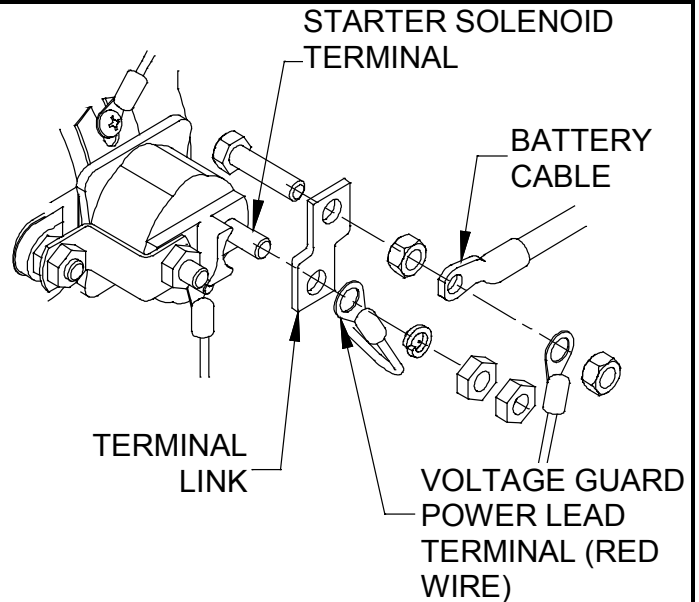


# WALTCO TECH TIPS

Date: 8-22-03  
No. TT030139  
Model: All  
EO No. NA

## SUBJECT: Voltage Guard Connections

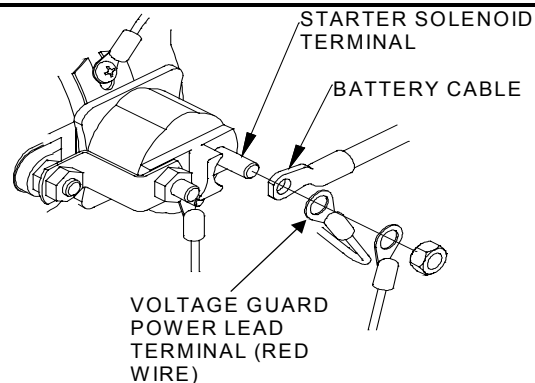
- If you encounter these symptoms in your controls: Motor won't run when Raise or Close switches are actuated, unless Voltage Guard is bypassed. No alarm from Voltage Guard. Before you assume that the Voltage Guard is defective, try this simple fix:
- WDL, RGL, OR WSL VERSION
- Disconnect Battery Cable, and swap the Power Lead to be above the Terminal Link, as shown. Replace Lock Washer and Nuts. Tighten Nut and Jam Nut to 8 foot-pounds.
- Reconnect Battery Cable, tighten to 25 foot-pounds. Use back-up wrench so that Terminal Link does not get moved.
- Retest controls. If still not working, Voltage Guard may be malfunctioning.
- How this works: When the ring terminal on the Power Lead is under the copper Terminal Link, or Battery Cable, it may shift or deform, allowing the connection to get loose. This can lead to a loss of electrical power to the Voltage Guard, which quits working. Putting the Power Lead Terminal on top of the Terminal Link or Battery Cable gives a large, flat surface, for a more secure connection.



GR00662

## ALL OTHER LIFTGATES

- ✓ Disconnect Battery Cable
- ✓ Swap the Power Lead(s) to be above the Battery Cable, as shown. Replace Nut. Tighten Nut to 8 foot-pounds.
- ✓ Retest controls. If still not working, Voltage Guard may be malfunctioning.



GR00663





# WALTCO TECH TIPS

Date: 10/31/03  
No. TT030146  
Model: All  
EO No. NA

## Lubrication of Reduced Maintenance Bushings

There has been information circulating that lubricants should not be used on the reduced maintenance bushings that Waltco utilizes. This includes both Hydrocarbon lubricants (conventional petroleum based products), and less common Fluorocarbon lubricants. Lubricants can be used with our bushings but an understanding of the advantages and disadvantages is needed.

Lubrication is inherent within the bushings we use and will not dry out. The bushings are impregnated with Teflon that transfers to the pin under load. External lubricants are filled with additives that provide the lubricity. The most common filler is Molybdenum Disulfide, which is commonly referred to as “Moly”. These additives can be microscopic hard particles that roll around between the pin and our bearing liner. This can under some conditions add to premature wear as opposed to adding no grease at all. There are times when grease is the culprit instead of the cure.

Neither the Hydrocarbon nor Fluorocarbon grease material would chemically under most conditions, be a problem for our bushings since our liner is very, very resistant to about all forms of chemical degradation and attack.

Although there is a science to grease, all the analytical work and theory goes out the window when grease is used in the field. The common tendency is to use what is cheap and on hand. This is the reason Waltco reduced maintenance bushings do not have grease fittings that allow just anything to be pumped into the bushing.

The disadvantage in applying an external lubricant is that over time, contaminants could migrate into the bushing creating an abrasive paste. Without the means to purge the old grease, heavy abrasives in the old grease could increase wear in the bushing. Our bushing is designed to handle some abrasives by imbedding them into the fiber lining to keep them away from the pin, but a clean lubricant will achieve the best results.

Once a bearing is greased with a quality lubricant, it can in some cases increase the performance of the bearing up to eight times as long as it is maintained with regular intervals of grease. In other words a non-reduced maintenance application, but possible longer life. This could be helpful in northern climates where salt and other de-icing

solutions are applied to roads. These contaminants can migrate into the bushing reducing the lubrication qualities.

For higher performance, a premium grease such as SuperLube Synthetic Grease with Synolon (PTFE) from McMaster Carr as part number 1378K33, or a number of DuPont Krytox products are available.

There are two choices that would work best for those end users that have a severe application where a lubricant can increase their bushing life. They can request an SP application where we can design pins that can be drilled for grease fittings. Or they can apply an anti-seize compound such as "Molypaste" to the pins. This usually lasts for long periods of time and resists penetration of road wash. An anti-seize compound containing metal oxides should not be used as they contain abrasives that can wear away at the bushing liner.

In either case the end user should be aware of proper lubrication methods to avoid getting the opposite effect they are trying to achieve.

**Tallmadge**

| Ser No | Date  |
|--------|-------|
| 108000 | 01/83 |
| 109000 | 03/83 |
| 120000 | 05/83 |
| 121000 | 07/83 |
| 122000 | 09/83 |
| 123000 | 10/83 |
| 124000 | 12/83 |
| 125000 | 01/85 |
| 126000 | 02/84 |
| 127000 | 04/84 |
| 128000 | 05/84 |
| 129000 | 06/84 |
| 140000 | 08/84 |
| 141000 | 09/84 |
| 142000 | 10/84 |
| 143000 | 11/84 |
| 144000 | 12/84 |
| 145000 | 02/85 |
| 146000 | 03/85 |
| 147000 | 05/85 |
| 148000 | 06/85 |
| 149000 | 07/85 |
| 160000 | 09/85 |
| 161000 | 10/85 |
| 162000 | 11/85 |
| 163000 | 01/86 |
| 164000 | 02/86 |
| 165000 | 03/86 |
| 166000 | 04/86 |
| 167000 | 06/86 |
| 168000 | 06/86 |
| 169000 | 08/86 |
| 180000 | 10/86 |
| 181000 | 11/86 |
| 182000 | 12/86 |
| 183000 | 01/87 |
| 184000 | 03/87 |
| 185000 | 04/87 |
| 186000 | 05/87 |
| 187000 | 06/87 |
| 188000 | 07/87 |
| 189000 | 09/87 |
| 200000 | 10/87 |
| 201000 | 11/87 |
| 202000 | 01/88 |
| 203000 | 02/88 |
| 204000 | 03/88 |
| 205000 | 04/88 |
| 206000 | 05/88 |

| Ser No | Date  |
|--------|-------|
| 207000 | 07/88 |
| 208000 | 08/88 |
| 209000 | 10/88 |
| 220000 | 11/88 |
| 221000 | 12/88 |
| 222000 | 01/89 |
| 223000 | 03/89 |
| 224000 | 04/89 |
| 225000 | 05/89 |
| 226000 | 06/89 |
| 227000 | 08/89 |
| 228000 | 10/89 |
| 229000 | 11/89 |
| 240000 | 01/90 |
| 241000 | 02/90 |
| 242000 | 07/90 |
| 243000 | 04/90 |
| 244000 | 05/90 |
| 245000 | 07/90 |
| 246000 | 09/90 |
| 247000 | 12/90 |
| 248000 | 12/90 |
| 249000 | 02/91 |
| 260000 | 04/91 |
| 261000 | 05/91 |
| 262000 | 08/91 |
| 263000 | 10/91 |
| 264000 | 12/91 |
| 265000 | 02/92 |
| 266000 | 03/92 |
| 267000 | 05/92 |
| 268000 | 06/92 |
| 269000 | 08/92 |
| 280000 | 09/92 |
| 281000 | 11/92 |
| 282000 | 12/92 |
| 283000 | 02/93 |
| 284000 | 03/93 |
| 285000 | 04/93 |
| 286000 | 06/93 |
| 287000 | 07/93 |
| 288000 | 08/93 |
| 289000 | 10/93 |
| 300000 | 11/93 |
| 301000 | 02/94 |
| 302000 | 02/94 |
| 303000 | 03/94 |
| 304000 | 04/94 |
| 305000 | 05/94 |

| Ser No | Date  |
|--------|-------|
| 306000 | 08/94 |
| 307000 | 09/94 |
| 308000 | 10/94 |
| 309000 | 10/94 |
| 320000 | 12/94 |
| 321000 | 01/95 |
| 322000 | 03/95 |
| 323000 | 04/95 |
| 324000 | 06/95 |
| 325000 | 07/95 |
| 326000 | 09/95 |
| 327000 | 09/95 |
| 328000 | 11/95 |
| 329000 | 01/96 |
| 340000 | 02/96 |
| 341000 | 03/96 |
| 342000 | 04/96 |
| 343000 | 05/96 |
| 344000 | 07/96 |
| 345000 | 08/96 |
| 346000 | 10/96 |
| 347000 | 12/96 |
| 348000 | 03/97 |
| 349000 | 03/97 |
| 360000 | 04/97 |
| 361000 | 05/97 |
| 362000 | 06/97 |
| 363000 | 07/97 |
| 364000 | 08/97 |
| 365000 | 10/97 |
| 366000 | 11/97 |
| 367000 | 12/97 |
| 368000 | 01/98 |
| 369000 | 06/98 |
| 380000 | 03/98 |
| 381000 | 06/98 |
| 382000 | 06/98 |
| 383000 | 08/98 |
| 384000 | 08/98 |
| 385000 | 11/98 |
| 386000 | 12/98 |
| 387000 | 12/98 |
| 388000 | 01/99 |
| 389000 | 04/99 |
| 400000 | 02/99 |
| 401000 | 03/99 |
| 402000 | 05/99 |
| 403000 | 05/99 |
| 404000 | 06/99 |

| Ser No | Date  |
|--------|-------|
| 405000 | 08/99 |
| 406000 | 08/99 |
| 407000 | 10/99 |
| 408000 | 11/99 |
| 409000 | 11/99 |
| 420000 | 12/99 |
| 421000 | 12/99 |
| 422000 | 04/00 |
| 423000 | 03/00 |
| 424000 | 03/00 |
| 425000 | 04/00 |
| 426000 | 05/00 |
| 427000 | 07/00 |
| 428000 | 08/00 |
| 429000 | 08/00 |
| 440000 | 09/00 |
| 441000 | 11/00 |
| 442000 | 12/00 |
| 443000 | 02/01 |
| 444000 | 04/01 |
| 445000 | 05/01 |
| 446000 | 09/01 |
| 447000 | 09/01 |
| 448000 | 11/01 |
| 449000 | 01/02 |
| 460000 | 04/00 |
| 461000 | 05/02 |
| 462000 | 06/02 |
| 463000 | 09/02 |
| 464000 | 10/02 |
| 465000 | 12/02 |
| 466000 | 01/03 |
| 467000 | 02/03 |
| 468000 | 05/03 |
| 469000 | 05/03 |
| 480000 | 07/03 |
| 481000 | 08/03 |
| 482000 | 10/03 |
| 483000 | 11/03 |
| 484000 | 01/04 |
| 485000 | 02/04 |
| 486000 | 02/04 |
| 487000 | 03/04 |

**\*All Serial Number Dates are approximate**

**Gardena**

| Ser No | Date  |
|--------|-------|
| 116000 | 01/83 |
| 117000 | 05/83 |
| 118000 | 09/83 |
| 119000 | 12/83 |
| 130000 | 03/84 |
| 131000 | 05/84 |
| 132000 | 07/84 |
| 133000 | 10/84 |
| 134000 | 12/84 |
| 135000 | 03/85 |
| 136000 | 04/85 |
| 137000 | 07/85 |
| 138000 | 10/85 |
| 139000 | 11/85 |
| 150000 | 03/86 |
| 151000 | 05/86 |
| 152000 | 09/86 |
| 153000 | 12/86 |
| 154000 | 03/87 |
| 155000 | 05/87 |
| 156000 | 07/87 |
| 157000 | 10/87 |
| 158000 | 11/87 |
| 159000 | 12/87 |
| 170000 | 02/88 |
| 171000 | 04/88 |

| Ser No | Date  |
|--------|-------|
| 172000 | 06/88 |
| 173000 | 08/88 |
| 174000 | 10/88 |
| 175000 | 11/88 |
| 176000 | 01/89 |
| 177000 | 03/89 |
| 178000 | 04/89 |
| 179000 | 07/89 |
| 190000 | 09/89 |
| 191000 | 11/89 |
| 192000 | 01/90 |
| 193000 | 03/90 |
| 194000 | 05/90 |
| 195000 | 07/90 |
| 196000 | 10/90 |
| 197000 | 12/90 |
| 198000 | 03/91 |
| 199000 | 06/91 |
| 210000 | 09/91 |
| 211000 | 12/91 |
| 212000 | 04/92 |
| 213000 | 06/92 |
| 214000 | 09/92 |
| 215000 | 12/92 |
| 216000 | 02/93 |
| 217000 | 05/93 |

| Ser No | Date  |
|--------|-------|
| 218000 | 08/93 |
| 219000 | 12/93 |
| 230000 | 02/94 |
| 231000 | 05/94 |
| 232000 | 08/94 |
| 233000 | 10/94 |
| 234000 | 12/94 |
| 235000 | 02/95 |
| 236000 | 05/95 |
| 237000 | 08/95 |
| 238000 | 11/95 |
| 239000 | 01/96 |
| 250000 | 03/96 |
| 251000 | 06/96 |
| 252000 | 09/96 |
| 253000 | 12/96 |
| 254000 | 03/97 |
| 255000 | 05/97 |
| 256000 | 08/97 |
| 257000 | 10/97 |
| 258000 | 01/98 |
| 259000 | 03/98 |
| 270000 | 05/98 |
| 271000 | 07/98 |
| 272000 | 10/98 |

| Ser No | Date  |
|--------|-------|
| 273000 | 12/98 |
| 274000 | 02/99 |
| 275000 | 04/99 |
| 276000 | 06/99 |
| 277000 | 08/99 |
| 278000 | 10/99 |
| 279000 | 12/99 |
| 290000 | 02/00 |
| 291000 | 04/00 |
| 292000 | 06/00 |
| 293000 | 08/00 |
| 294000 | 11/00 |
| 295000 | 02/01 |
| 296000 | 05/01 |
| 297000 | 07/01 |
| 298000 | 09/01 |
| 299000 | 01/02 |
| 310000 | 04/02 |
| 311000 | 07/02 |
| 312000 | 10/02 |
| 313000 | 01/03 |
| 314000 | 04/03 |
| 315000 | 07/03 |
| 316000 | 11/03 |
| 317000 | 03/04 |

**\*All Serial Number Dates are approximate**

**Shipped From Warehouses**

**Marietta (Georgia)**

| Ser No | Date  |
|--------|-------|
| M1000  | 12/87 |
| M1100  | 12/88 |
| M1500  | 04/89 |
| M2000  | 03/90 |
| M2500  | 12/90 |
| M3000  | 09/91 |
| M3500  | 07/92 |
| M4000  | 04/93 |
| M4500  | 02/94 |
| M5000  | 06/94 |
| M5500  | 11/94 |
| M6000  | 04/95 |
| M6500  | 09/95 |
| M7000  | 04/96 |
| M7500  | 10/96 |
| M8000  | 04/97 |
| M8500  | 09/97 |

| Ser No | Date  |
|--------|-------|
| M9000  | 02/98 |
| M9500  | 06/98 |
| M10000 | 09/98 |
| M10500 | 01/99 |
| M11000 | 04/99 |
| M11500 | 08/99 |
| M12000 | 01/00 |
| M12500 | 09/00 |
| M13000 | 10/00 |
| M13500 | 02/01 |
| M14000 | 07/01 |
| M14500 | 01/02 |
| M15000 | 06/02 |
| M15500 | 01/03 |
| M16000 | 07/03 |
| M16500 | 11/03 |
| M17000 | 03/04 |

**Others**

| Ser No | Date  |
|--------|-------|
| D1000  | 01/91 |
| D2000  | 06/92 |
| D3000  | 03/94 |
| D4000  | 03/95 |
| D5000  | 11/96 |
| D6000  | 04/98 |
| D7000  | 04/99 |
| F1000  | 02/00 |
| S1000  | 04/00 |
| A1000  | 04/00 |
| T8000  | 05/00 |
| T9000  | 09/02 |