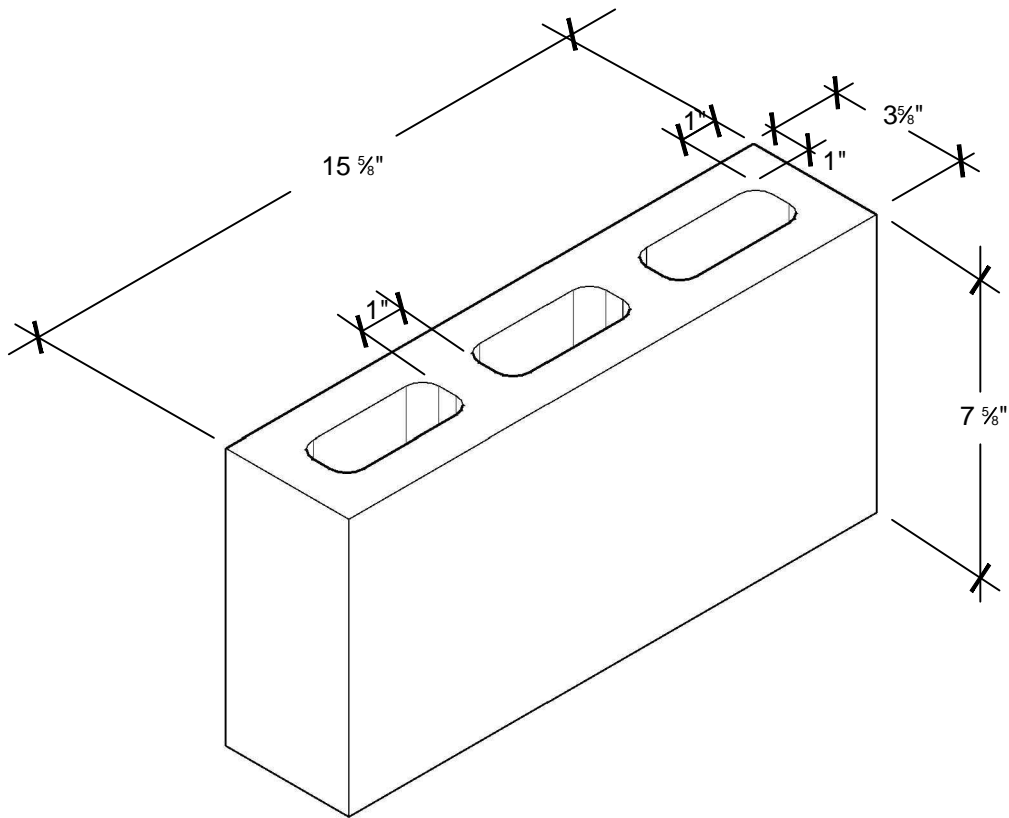


△	11/16/15	XXX	REV_DESC	LJH	MF	JML
REV	DATE	DES	REVISION DESCRIPTION	CADD	CHK	RVW

# 4"x8"x16" Lightweight CMU



**MEETS:**

- ASTM C-331 FOR LIGHTWEIGHT BLOCK
- ASTM C-90
- 1 HOUR FIRE RATED
- 3000 PSI



PROJECT					
TITLE <b>4x8x16 Lightweight CMU</b>					
DESIGN	BGR	12/18/13	FILE No.		
CADD	LJH	12/18/13	SCALE	3"=1'-0"	
REVIEW	MF	11/16/15	REV.	0	
PROJECT No.					
<b>DRAWING: 4x8x16 LW</b>					