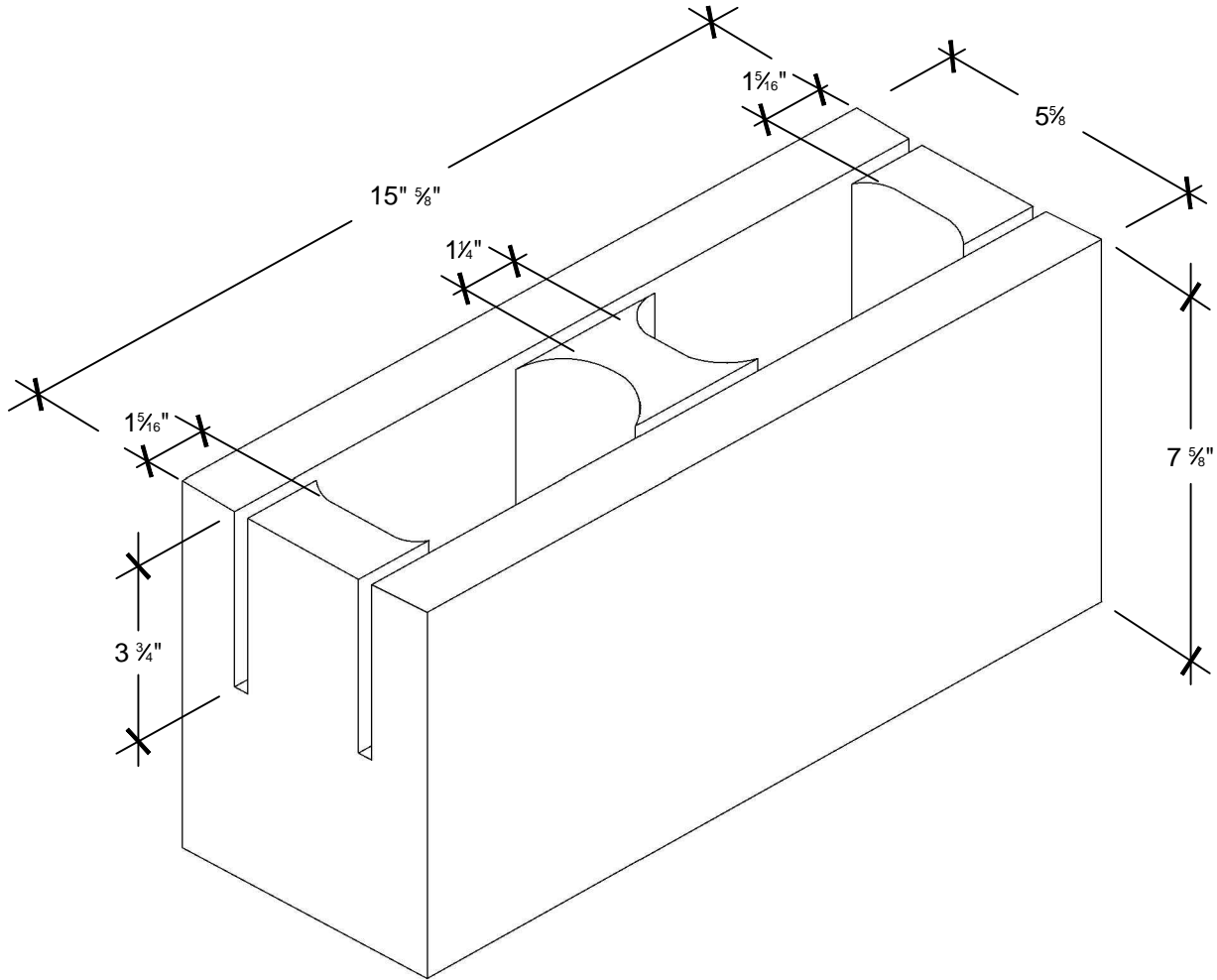


△	11/18/13	XXX	REV_DESC	LJH	WHR	JML
REV	DATE	DES	REVISION DESCRIPTION	CADD	CHK	RVW

# 6x8x16 Lightweight CMU Knockout Bond Beam



**MEETS:**

- ASTM C-331 FOR LIGHTWEIGHT BLOCK
- ASTM C-90
- 1.3 HOUR FIRE RATED



PROJECT					
TITLE <b>6x8x16 Lightweight CMU Knockout Bond Beam</b>					
DESIGN	BGR	12/13/13	FILE No.		
CADD	LJH	12/13/13	SCALE	3"=1'-0"	
REVIEW			REV.	0	
PROJECT No.					
<b>DRAWING: CMU-6x8x16-LW K.O. BB</b>					