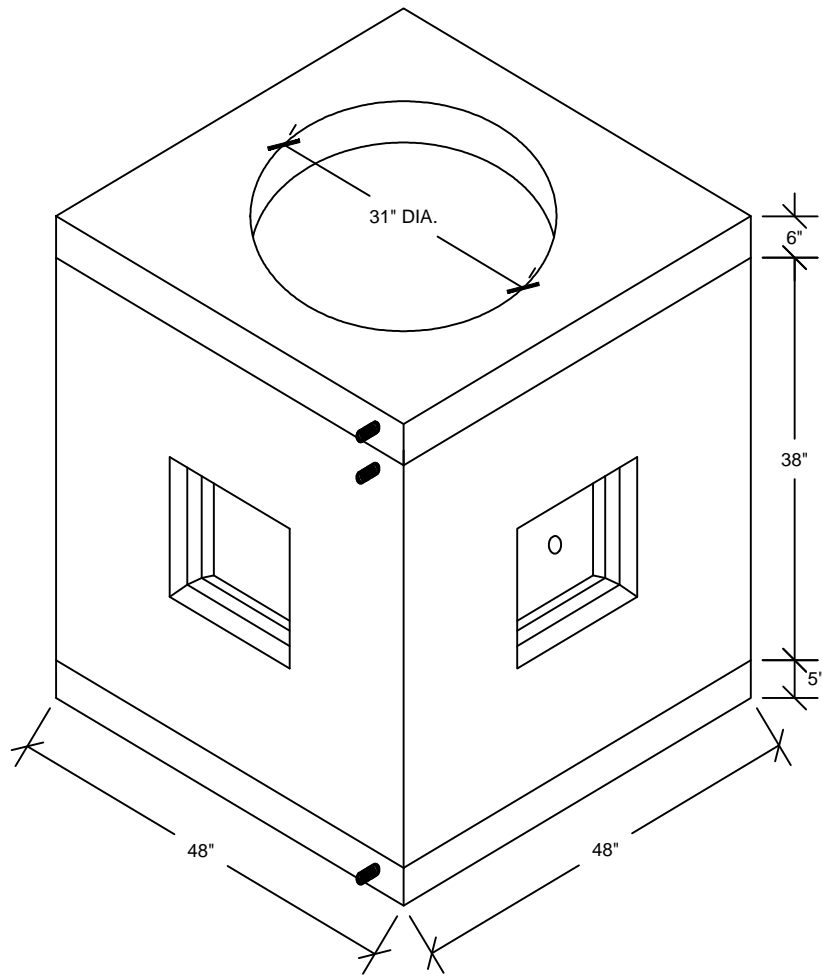



△	06/01/16	XXX	REV_DESC	MF	WHR	JML
REV	DATE	DES	REVISION DESCRIPTION	CADD	CHK	RWW

48" SQ. HANDHOLE
H20 RATED



CLASS "FSC" CONCRETE
4,000 PSI

 CROMWELL CONCRETE PRODUCTS INC.			
PROJECT			
TITLE			
48"SQ H20 HANDHOLE			
DESIGN	BGR	06/01/16	FILE No.
CADD	MF	06/01/16	SCALE AS SHOWN
REVIEW	JML	06/01/16	REV.
PROJECT No.			
DWG: 48"SQ H20 HANDHOLE			