

MISCELLANEOUS PRODUCTS

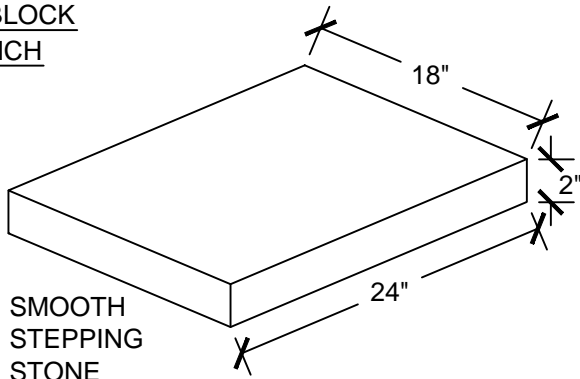
STEPPING STONES

SPLASH BLOCK

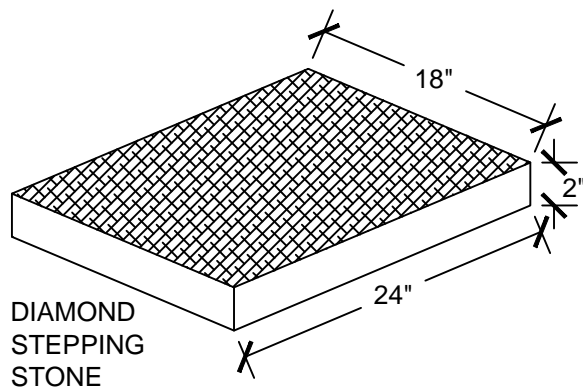
CRADLE BLOCK

PARK BENCH

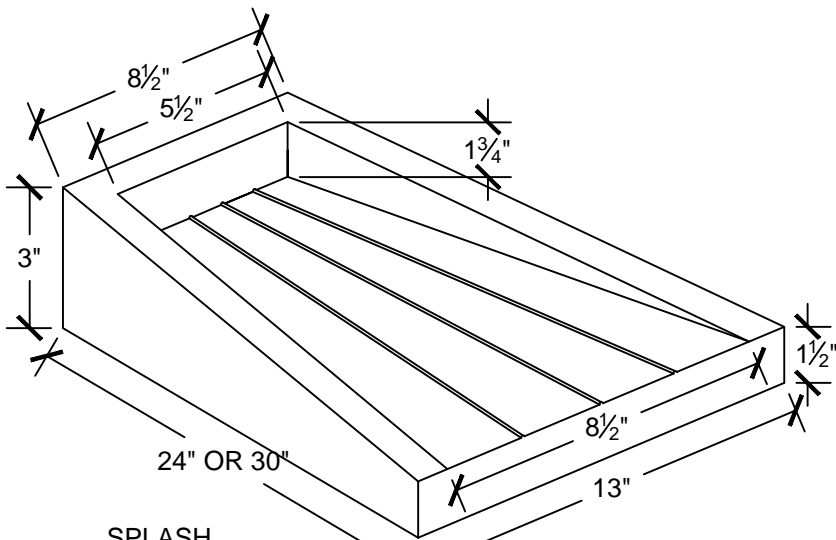
REV	05/20/16	XXX	REV_DESC	MF	WHR	MW
DATE	DES	REVISION DESCRIPTION	CADD	CHK	RVW	



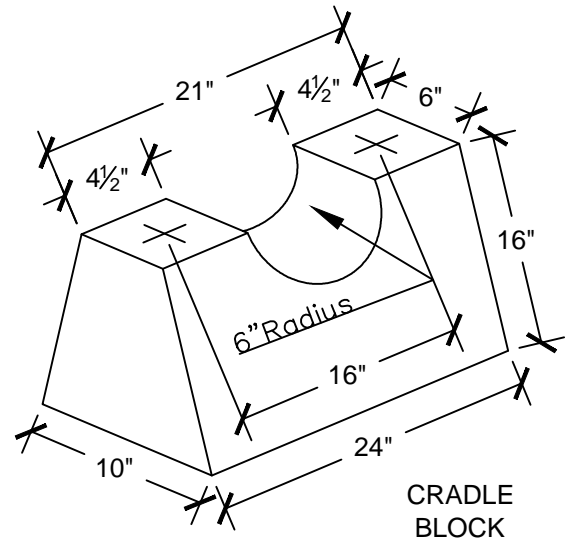
SMOOTH STEPPING STONE



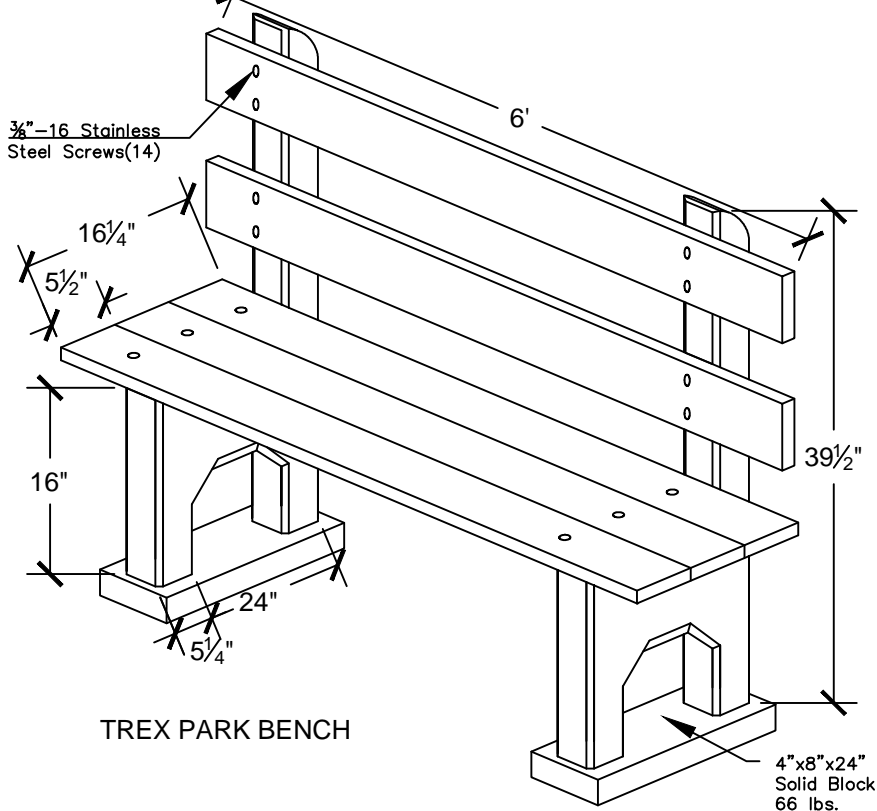
DIAMOND STEPPING STONE



SPLASH BLOCK



CRADLE BLOCK



TREX PARK BENCH

CLASS "FSC" CONCRETE
4,000 PSI



PROJECT

TITLE

MISC. CONCRETE

DESIGN	BGR	05/20/16	FILE No.
CADD	MF	05/20/16	SCALE AS SHOWN
REVIEW	MW	05/20/16	REV. 0
PROJECT No.			

DWG: MISC. CONCRETE