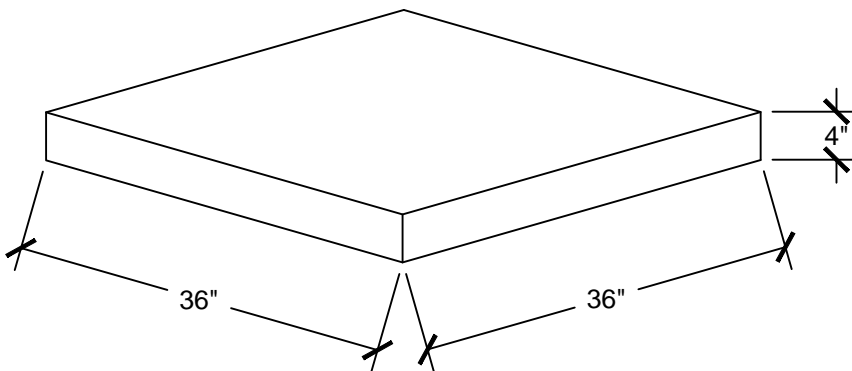
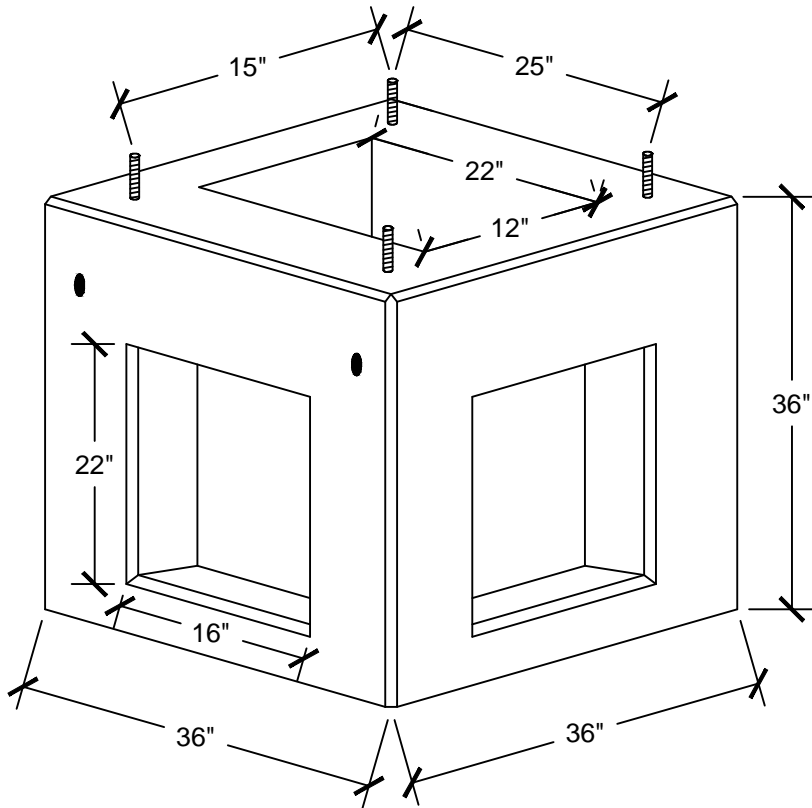



△	05/23/16	XXX	REV_DESC	MF	WHR	JML
REV	DATE	DES	REVISION DESCRIPTION	CADD	CHK	RW

# TYPE IV MODIFIED CONTROLLER



**CLASS "FSC" CONCRETE  
4000 PSI**

					
PROJECT					
TITLE					
<b>TYPE IV MOD CONTROLLER</b>					
DESIGN	BGR	05/23/16	FILE No.		
CADD	MF	05/23/16	SCALE	AS SHOWN	
REVIEW	JML	05/23/16	REV.	0	
PROJECT No.					
<b>DRAWING: TYPE IV MOD CONT</b>					