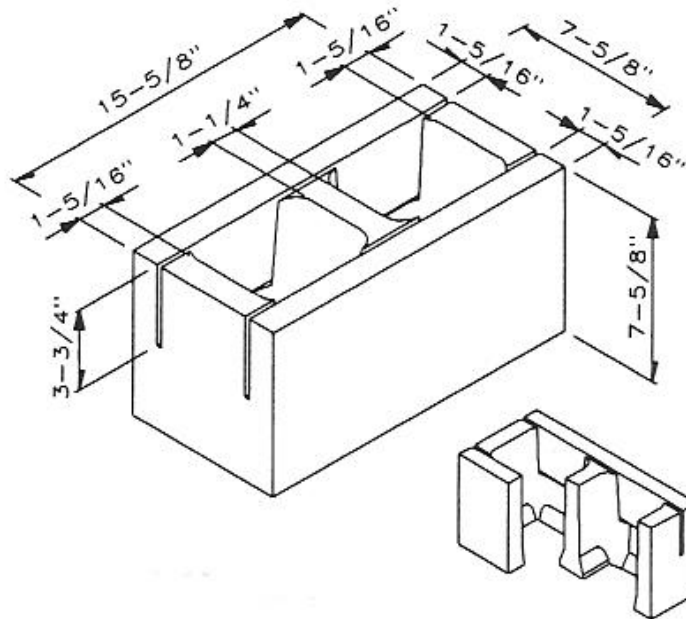




# CROMWELL CONCRETE PRODUCTS INC.

Cromwell Concrete Products Inc. 667 Main Street Cromwell CT 06416  
Phone 860-635-5146 \* Fax 860-635-7469  
cromwellconcreteproducts.com

## 8"x8"x16" Light Weight CMU Knockout Bond Beam



### Meets

- ASTM C-331 for Lightweight Block
- ASTM C-90