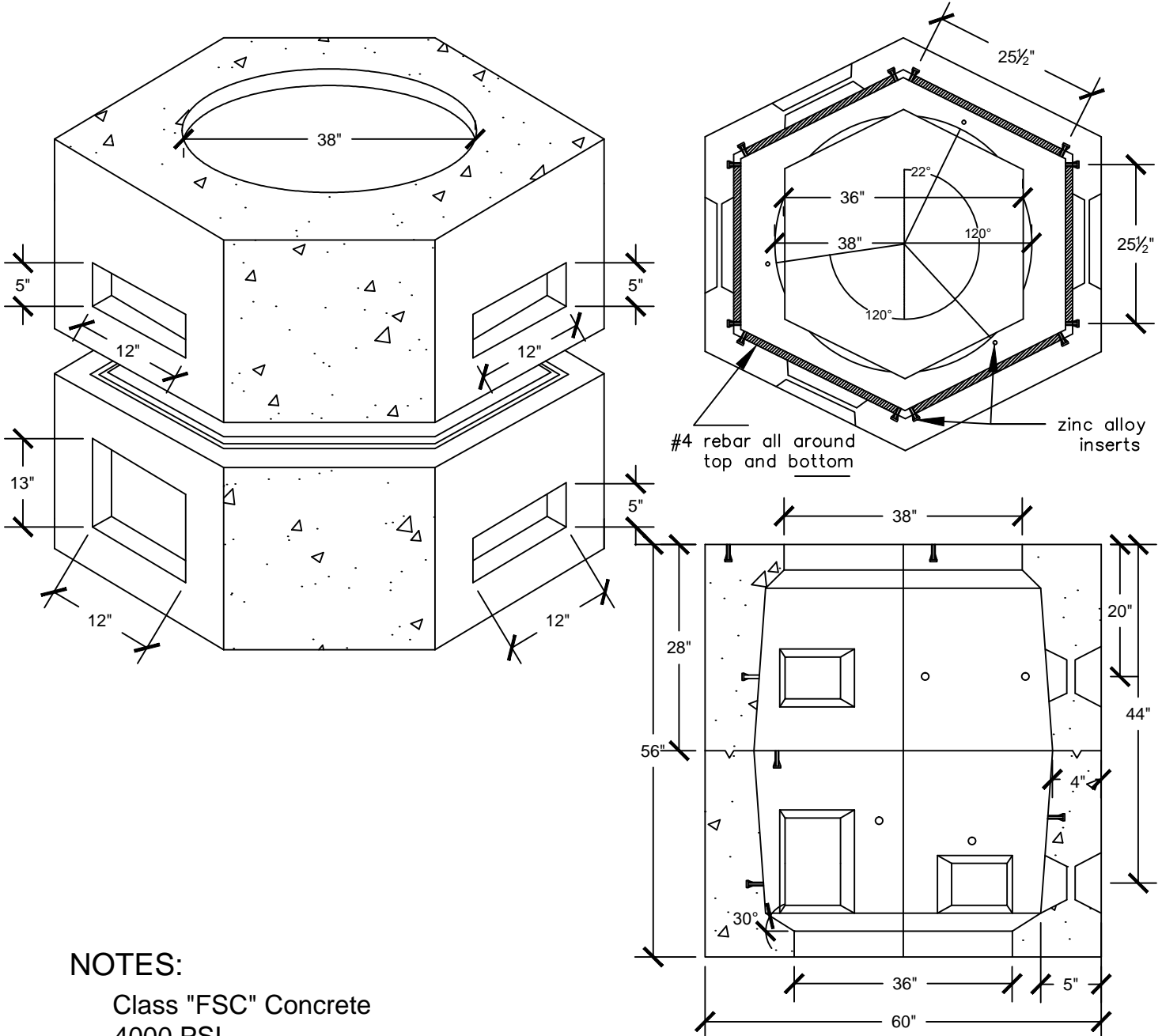


06/27/16	XXX	REV_DESC	MF	WHR	JML
REV	DATE	DES	CADD	CHK	RWW
REVISION DESCRIPTION					

HEXAGONAL HANDHOLE


SPC H-019



NOTES:
 Class "FSC" Concrete
 4000 PSI

Design Load - AASHTO HS20
 Concrete Design - ACI 318

Precast: 2,000 lbs. each
 Total: 4,000 lbs



**CROMWELL
CONCRETE
PRODUCTS INC.**

PROJECT

TITLE

**SPC H-019
HEXAGON HANDHOLE**

DESIGN	BGR	06/27/16	FILE No.
CADD	MF	06/27/16	SCALE AS SHOWN
REVIEW	JML	06/27/16	REV.
PROJECT No.			

DWG: HEX HH SPC H-019