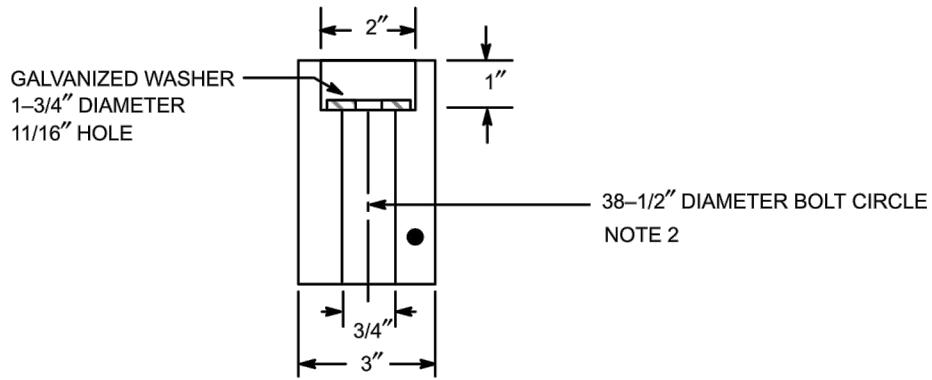
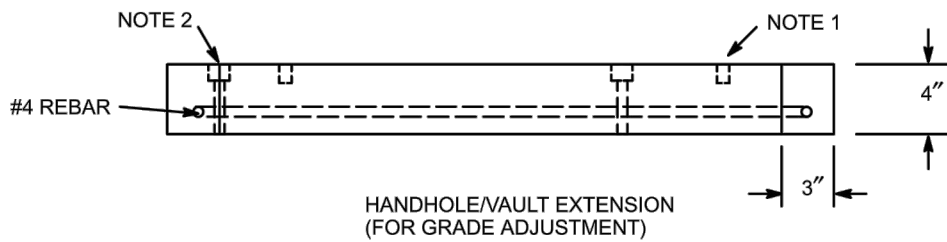
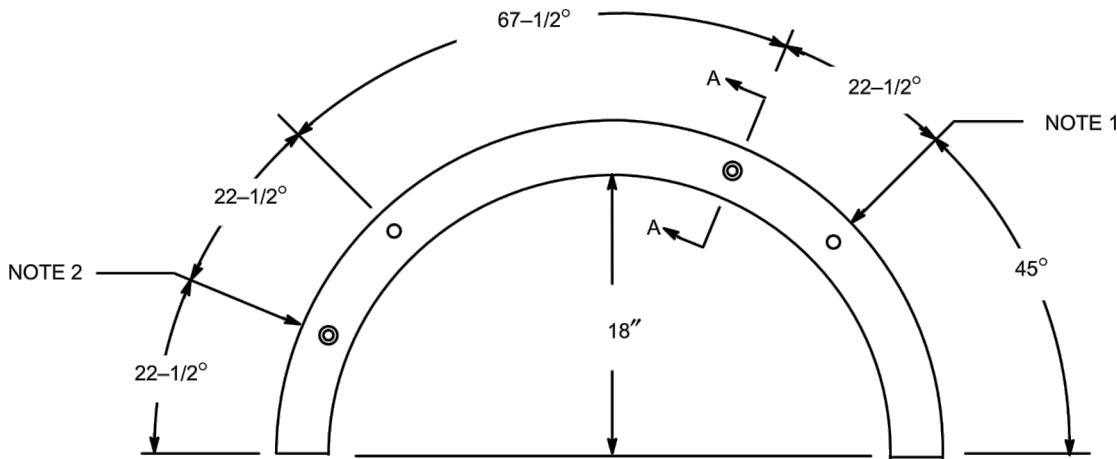


△	11/18/13	XXX	REV_DESC	LJH	WHR	JML
REV	DATE	DES	REVISION DESCRIPTION	CADD	CHK	RW



SECTION A-A

NOTES

1. Two zinc alloy iron inserts 3/8 inch – 16 x 1-1/2 inches on 38-1/2 inch bolt circle.
2. Two holes equally spaced on 38-1/2 inch bolt circle.
3. Final 28 day concrete strength 4000 psi.
4. Concrete and concrete design shall be in accordance with ACI 318-1986 latest revision thereof.
5. Manufacturer's identification and month/year when manufactured shall be legibly marked in/on concrete on the inner side.
6. Construction tolerances shall allow for the mating of two 180 degree segments, on NU SPC's H-020 and V-025, to achieve a 360 degree extension.



PROJECT			
TITLE NORTHEAST UTILITIES SPC E-953 4" SILO EXTENSION			
DESIGN	BGR	11/18/13	FILE No.
CADD	LJH	11/18/13	SCALE AS SHOWN
REVIEW			REV. 0
PROJECT No.			

ORIGINAL	EXTENSION – HANDHOLE/VAULT – PRECAST CONCRETE		
8/5/70	180 DEGREE SEGMENT X 36" DIAMETER X 4" HIGH		
APPROVED			
6/1/91	NORTHEAST UTILITIES	MATERIAL SPECIFICATION	SPC E-953 8

DRAWING: