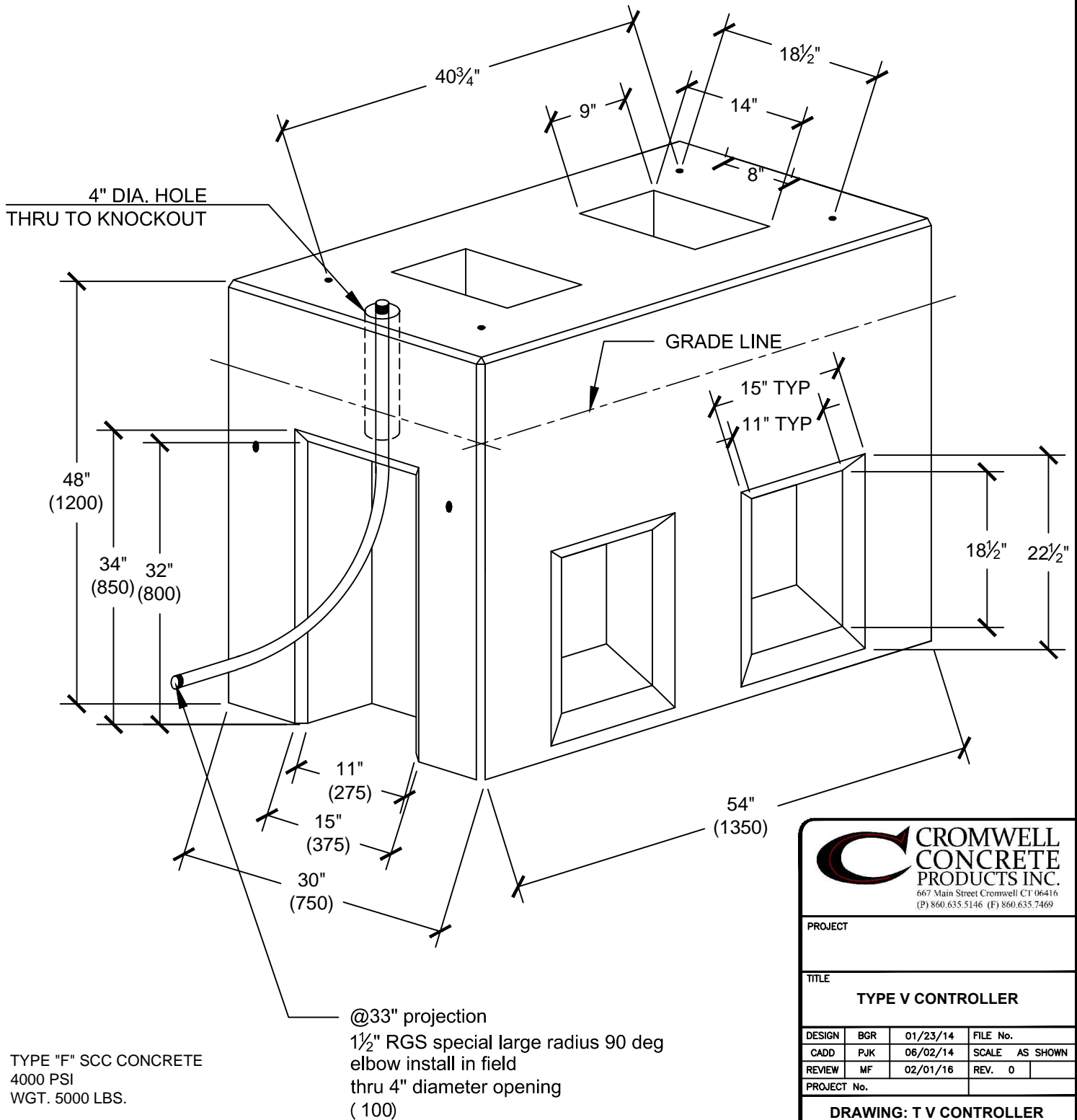


△	11/18/13	XXX	REV_DESC	LJH	WHR	JML
REV	DATE	DES	REVISION DESCRIPTION	CADD	CHK	RW

# TYPE V CONTROLLER



**CROMWELL CONCRETE PRODUCTS INC.**  
667 Main Street Cromwell CT 06416  
(P) 860.633.5146 (F) 860.633.7469

PROJECT

TITLE  
**TYPE V CONTROLLER**

DESIGN	BGR	01/23/14	FILE No.
CADD	PJK	06/02/14	SCALE AS SHOWN
REVIEW	MF	02/01/16	REV. 0
PROJECT No.			

**DRAWING: T V CONTROLLER**