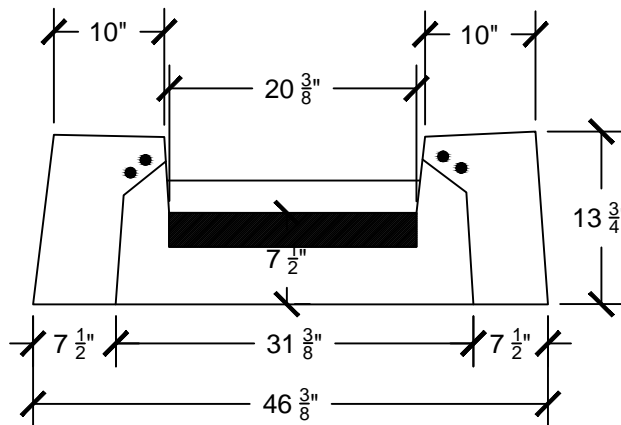
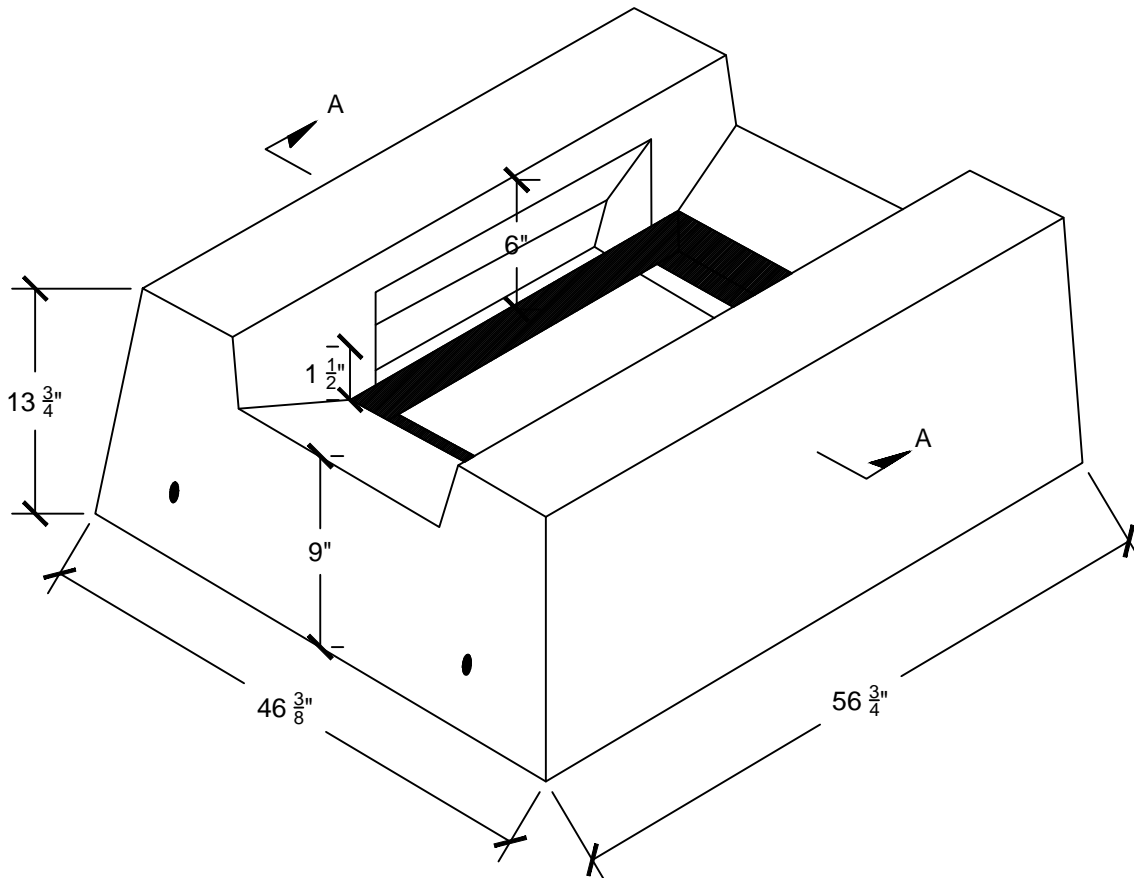


11/18/13	XXX	REV_DESC	LJH	WHR	JML		
REV	DATE	DES	REVISION DESCRIPTION		CADD	CHK	RWW

TYPE CG TOP
CONFORMS TO ASTM C913



CLASS "FSC" SELF-CONSOLIDATING CONCRETE
4,000 PSI

PROJECT			
TITLE			
TYPE "C" LOCKING TOP HEAVY DUTY			
DESIGN	BGR	01/21/14	FILE No.
CADD	PJK	4/25/2014	SCALE AS SHOWN
REVIEW			REV. 0
PROJECT No.			
DRAWING: TOP "C" LOCKING HEAVY DUTY			