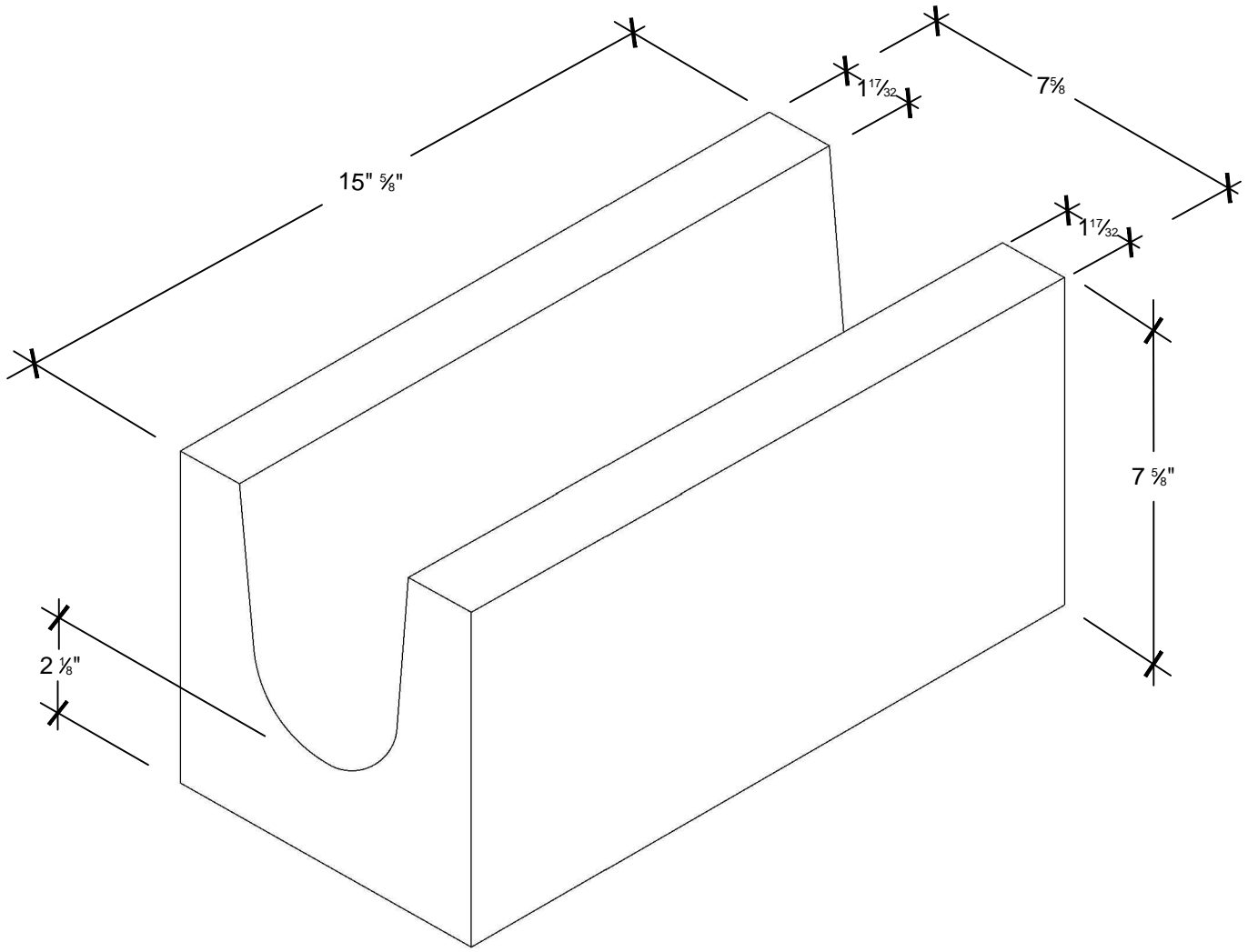



| | | | | | | |
|-----|----------|-----|----------------------|------|-----|-----|
| △ | 11/18/13 | XXX | REV_DESC | LJH | WHR | JML |
| REV | DATE | DES | REVISION DESCRIPTION | CADD | CHK | RVW |

8"x8"x16" Lightweight CMU Solid Bottom Bond Beam (U-Block)



MEETS:

- ASTM C-331 FOR LIGHTWEIGHT BLOCK
- ASTM C-90



**CROMWELL
CONCRETE
PRODUCTS INC.**
667 Main Street Cromwell CT 06416
(P) 860.635.5146 (F) 860.635.7469

PROJECT

TITLE

**8x8x16 Lightweight CMU
Solid Bottom Bond Beam (U-Block)**

| | | | |
|--------|-----|----------|----------------|
| DESIGN | BGR | 01/28/14 | FILE No. |
| CADD | LJH | 01/28/14 | SCALE 3"=1'-0" |
| REVIEW | MF | 01/29/16 | REV. 0 |

PROJECT No.

DRAWING: 8x8x16 LW U-BLOCK