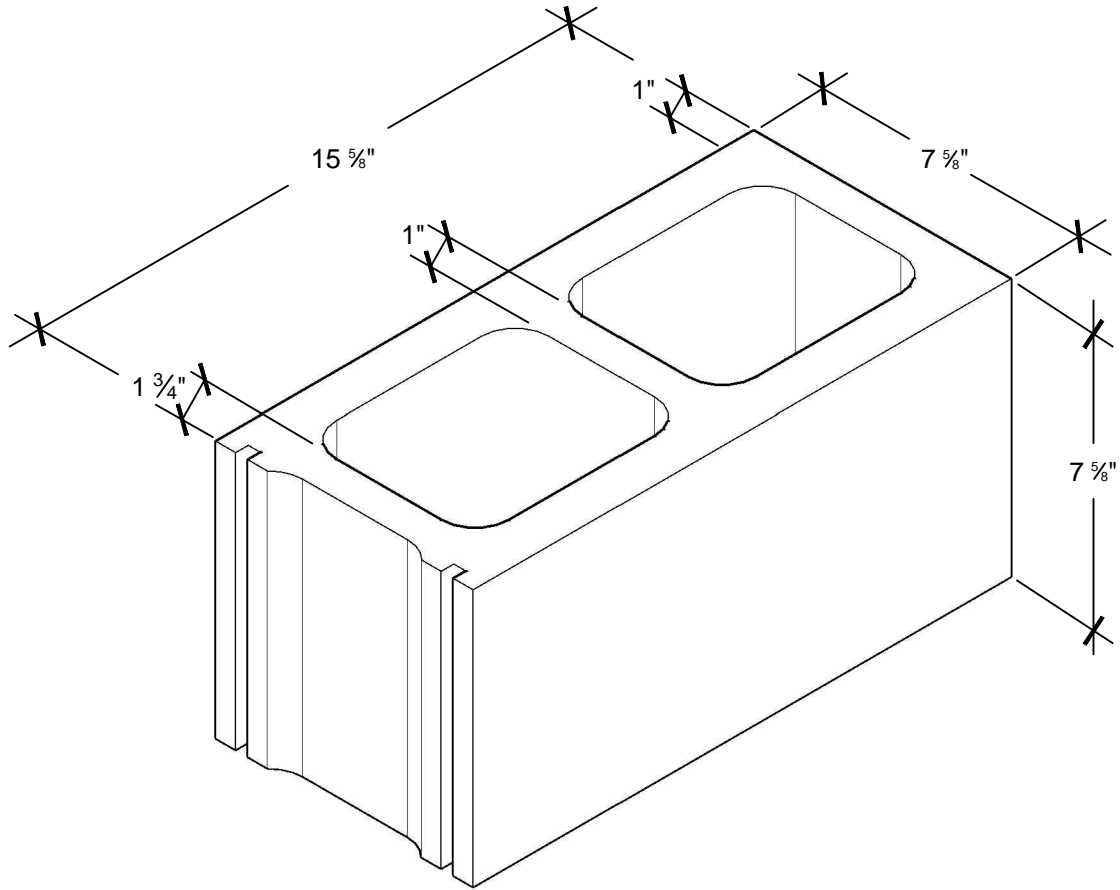


△	11/18/13	XXX	REV_DESC	LJH	WHR	JML
REV	DATE	DES	REVISION DESCRIPTION	CADD	CHK	RVW

# 8"x8"x16" Lightweight CMU



**MEETS:**

- ASTM C-331 FOR LIGHTWEIGHT BLOCK
- ASTM C-90
- 2.2 HOUR FIRE RATED



PROJECT					
TITLE					
8x8x16 Lightweight CMU					
DESIGN	BGR	12/17/13	FILE No.		
CADD	LJH	12/17/13	SCALE	3"=1'-0"	
REVIEW	MF	11/18/15	REV.	0	
PROJECT No.					
<b>DRAWING: CMU-8x8x16-LW</b>					