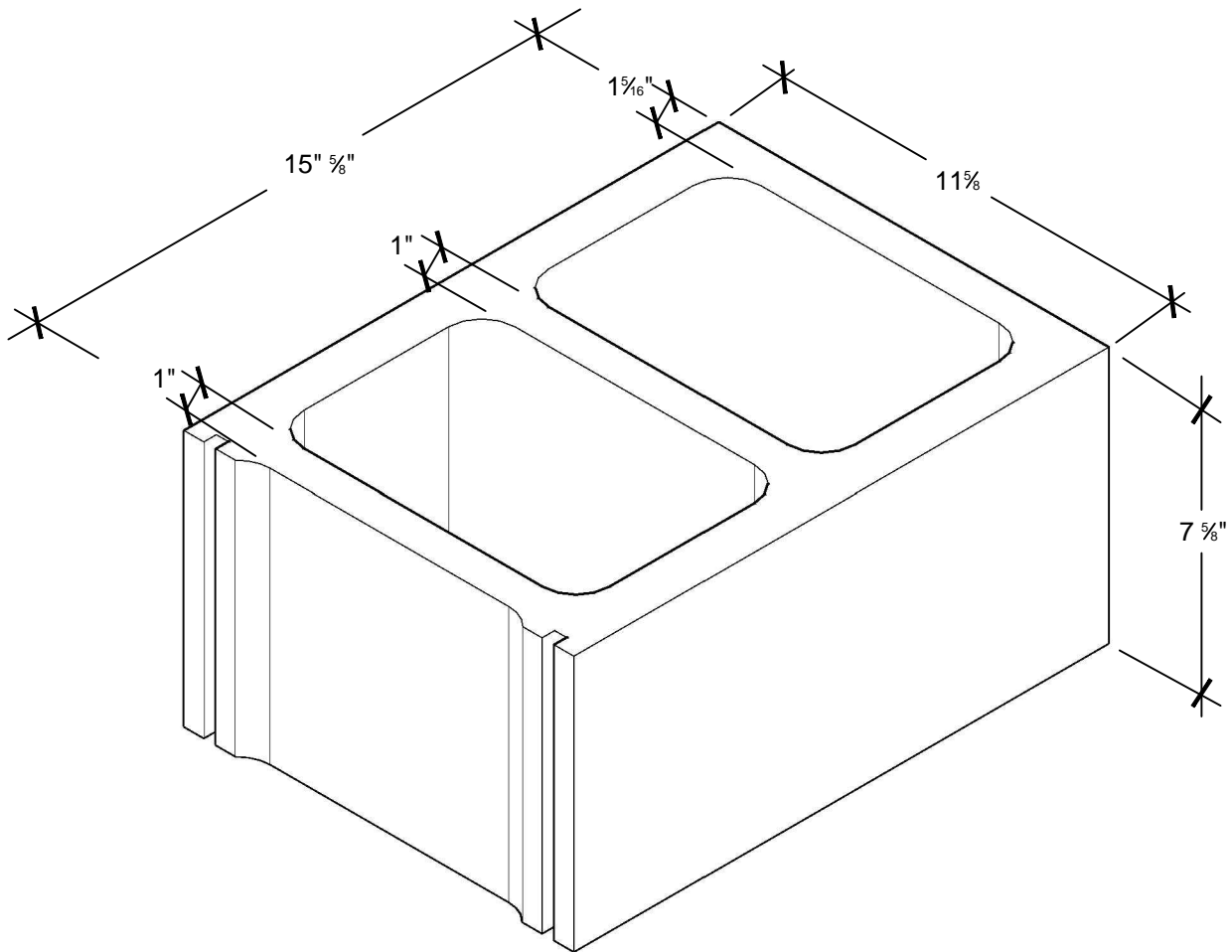


△	11/18/13	XXX	REV_DESC	LJH	WHR	JML
REV	DATE	DES	REVISION DESCRIPTION	CADD	CHK	RVW

12"x8"x16" Lightweight CMU



MEETS:

- ASTM C-331 FOR LIGHTWEIGHT BLOCK
- ASTM C-90
- 4 HOUR FIRE RATED



667 Main Street Cromwell CT 06416
(P) 860.635.5146 (F) 860.635.7469

PROJECT					
TITLE 12x8x16 Lightweight CMU					
DESIGN	BGR	12/17/13	FILE No.		
CADD	LJH	12/17/13	SCALE	3"=1'-0"	
REVIEW			REV.	0	
PROJECT No.					
DRAWING: CMU-12x8x16-LW					