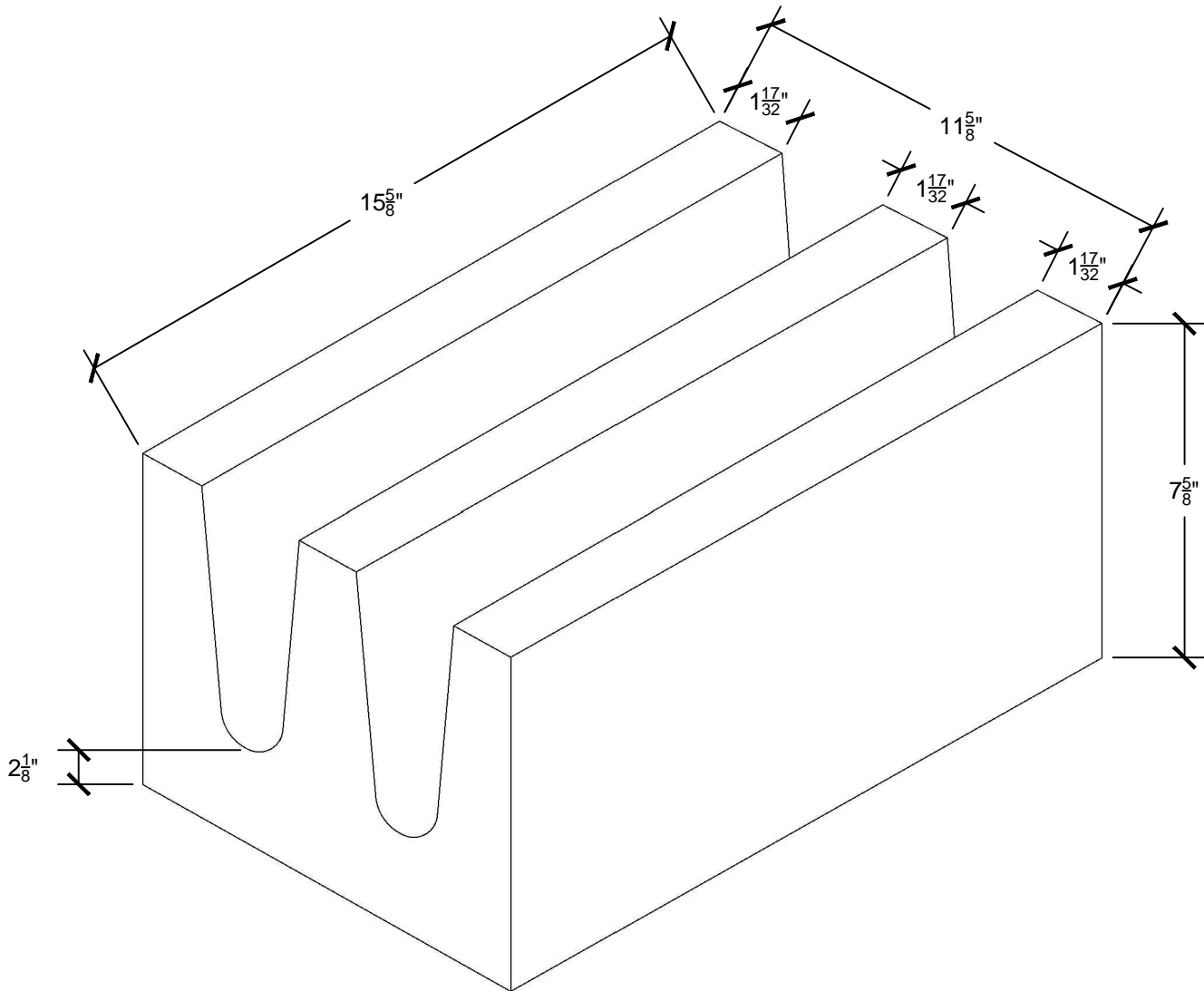



△	11/18/13	XXX	REV_DESC	LJH	WHR	JML
REV	DATE	DES	REVISION DESCRIPTION	CADD	CHK	RVW

# 12"x8"x16" Lightweight CMU Solid Bottom Bond Beam (U-Block)



**MEETS:**

- ASTM C-331 FOR LIGHTWEIGHT BLOCK
- ASTM C-90



**CROMWELL  
CONCRETE  
PRODUCTS INC.**  
667 Main Street Cromwell CT 06416  
(P) 860.635.5146 (F) 860.635.7469

---

PROJECT

---

TITLE  
**12x8x16 Lightweight CMU  
Solid Bottom Bond Beam (U-Block)**

DESIGN	BGR	12/13/13	FILE No.
CADD	LJH	12/13/13	SCALE 3"=1'-0"
REVIEW	MF	02/01/16	REV. 0

PROJECT No.

---

**DRAWING: 12x8x16 LW BB U**