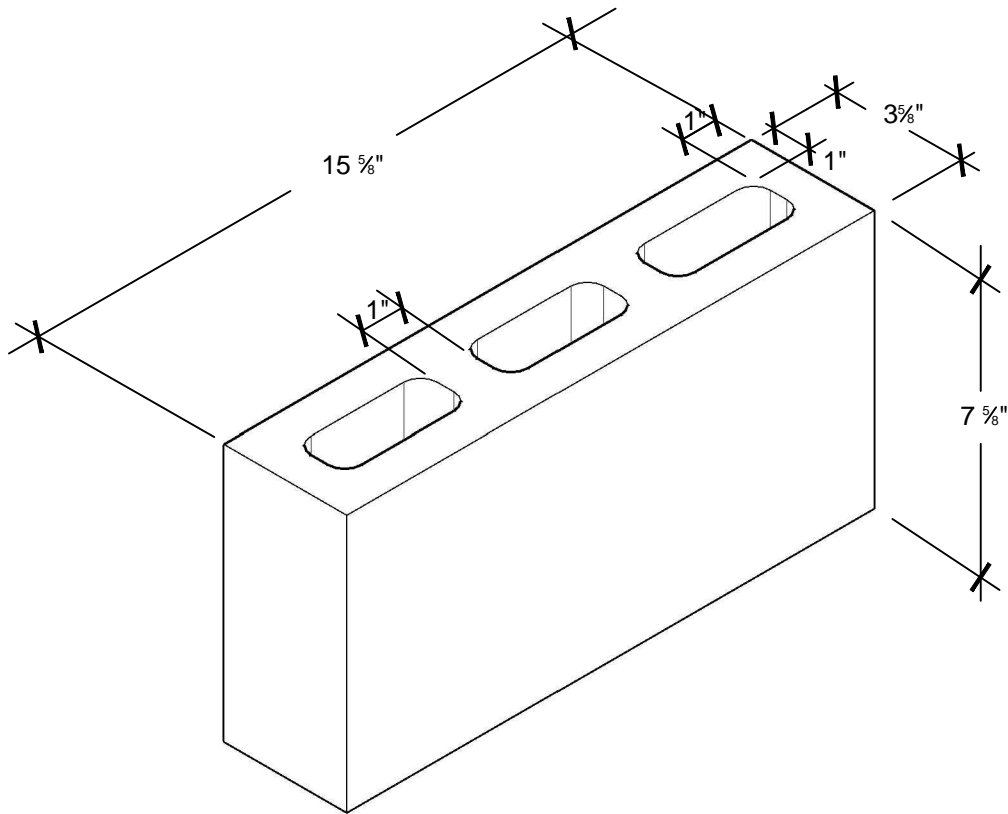


△	11/16/15	XXX	REV_DESC	LJH	MF	JML
REV	DATE	DES	REVISION DESCRIPTION	CADD	CHK	RVW

4"x8"x16" Regular Weight CMU



MEETS:

- ASTM C-90
- WEIGHT = 25 LBS
- 3,000 PSI



PROJECT

TITLE

4x8x16 Regular Weight CMU

DESIGN	BGR	12/18/13	FILE No.
CADD	LJH	12/18/13	SCALE 3"=1'-0"
REVIEW	MF	11/18/15	REV. 0
PROJECT No.			

DRAWING: CMU-4x8x16-CONC