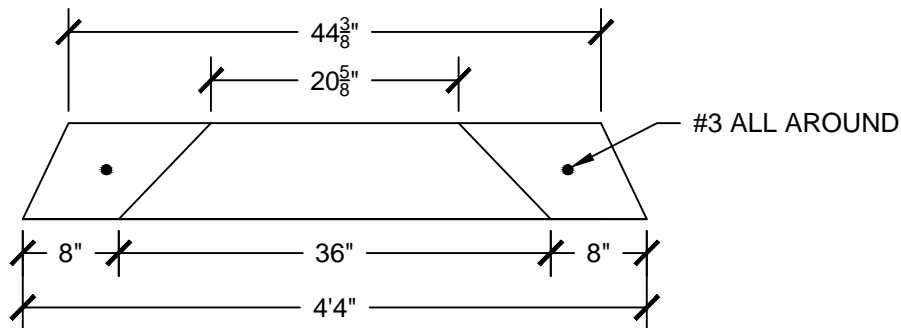
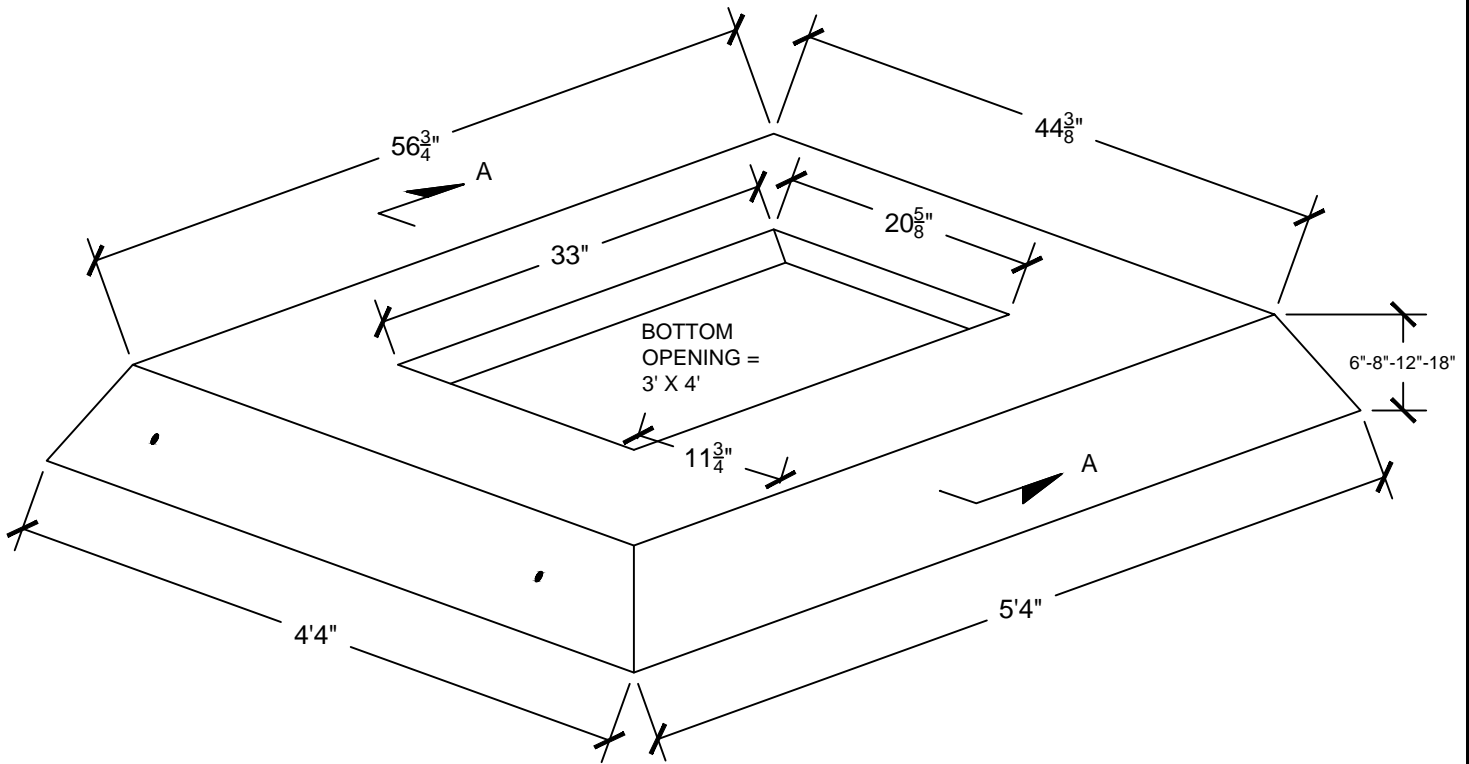



△	11/18/13	XXX	REV_DESC	LJH	WHR	JML
REV	DATE	DES	REVISION DESCRIPTION	CADD	CHK	RW

CL ADAPTER



SECTION A-A

**CLASS "FSC" SELF-CONSOLIDATING CONCRETE
4,000 PSI**



**CROMWELL
CONCRETE
PRODUCTS INC.**
667 Main Street Cromwell CT 06416
(P) 860.635.5146 (F) 860.635.7469

PROJECT					
TITLE					
CL ADAPTER					
DESIGN	BGR	01/23/14	FILE No.		
CADD	PJK	06/02/14	SCALE	AS SHOWN	
REVIEW	MF	01/25/16	REV.	0	
PROJECT No.					
DRAWING: CL ADAPTER					