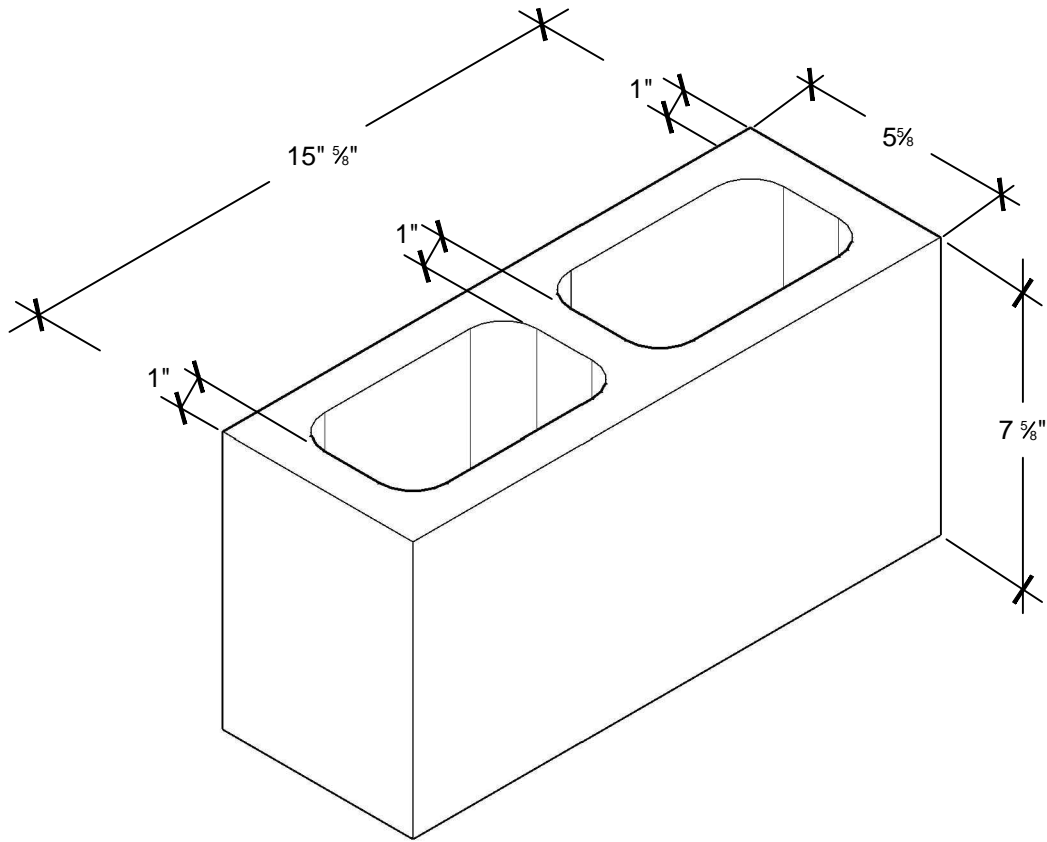


△	11/18/13	XXX	REV_DESC	LJH	WHR	JML
REV	DATE	DES	REVISION DESCRIPTION	CADD	CHK	RVW

6"x8"x16" Regular Weight CMU



MEETS:

- ASTM C-90



PROJECT					
TITLE 6x8x16 Regular Weight CMU					
DESIGN	BGR	12/13/13	FILE No.		
CADD	LJH	12/13/13	SCALE	3"=1'-0"	
REVIEW			REV.	0	
PROJECT No.					
DRAWING: CMU-6x8x16-CONC					