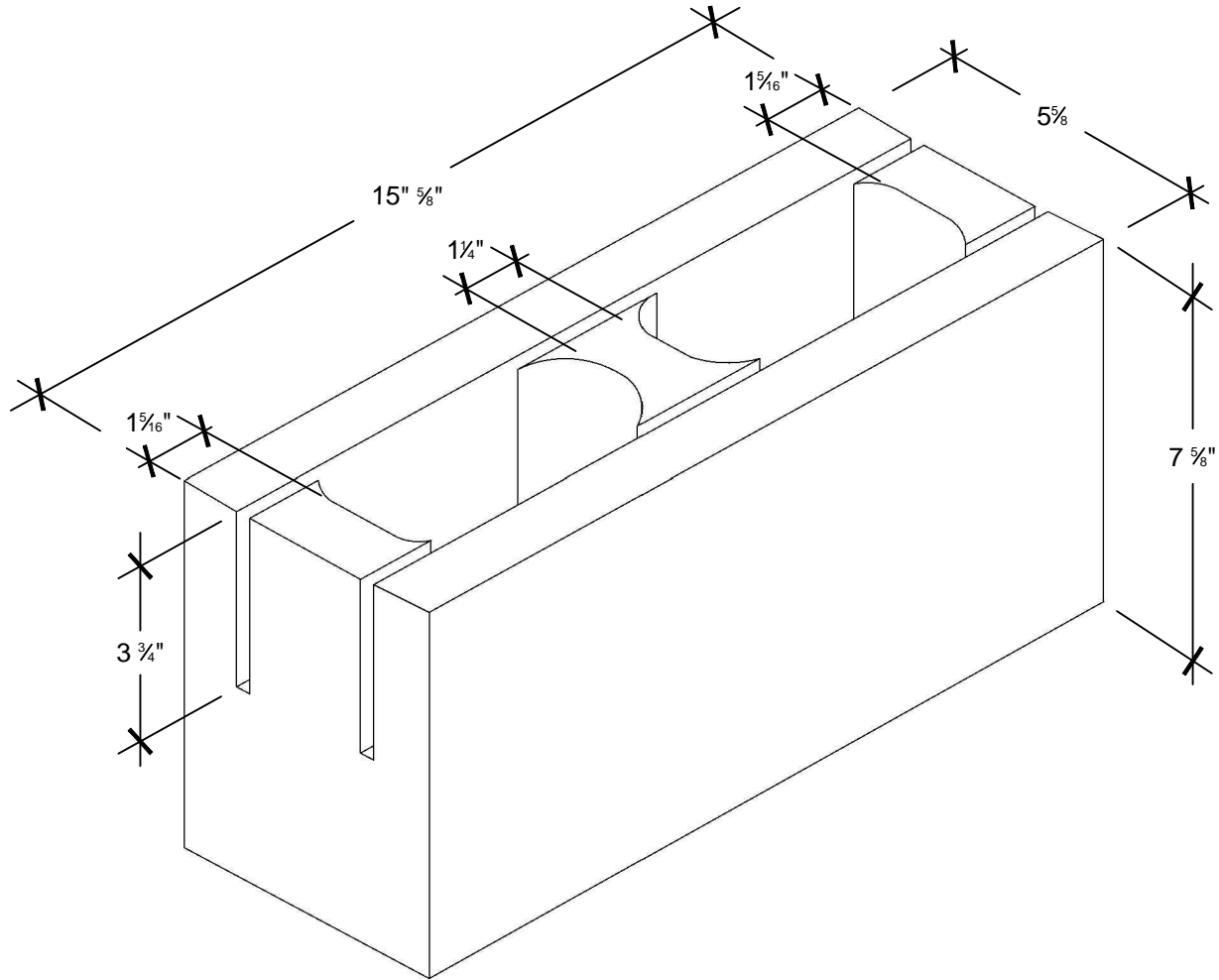


△	11/18/13	XXX	REV_DESC	LJH	WHR	JML
REV	DATE	DES	REVISION DESCRIPTION	CADD	CHK	RVW

# 6x8x16 Regular Weight CMU Knockout Bond Beam



**MEETS:**

- ASTM C-90



PROJECT			
TITLE <b>6x8x16 Regular Weight CMU Knockout Bond Beam</b>			
DESIGN	BGR	12/13/13	FILE No.
CADD	LJH	12/13/13	SCALE 3"=1'-0"
REVIEW			REV. 0
PROJECT No.			
<b>DRAWING: CMU-6x8x16-CONC</b>			