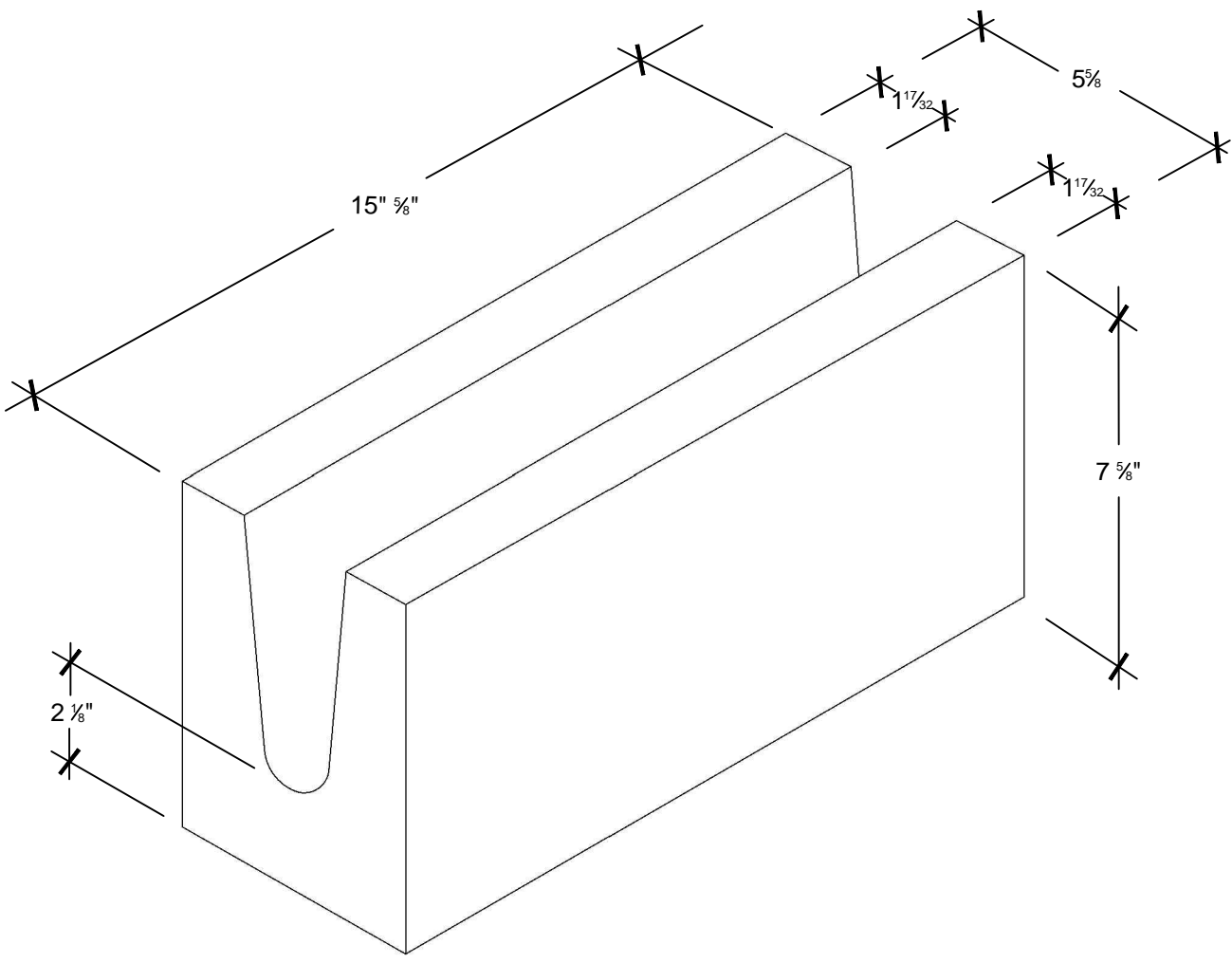



△	11/18/13	XXX	REV_DESC	LJH	WHR	JML
REV	DATE	DES	REVISION DESCRIPTION	CADD	CHK	RVW

6"x8"x16" Regular Weight CMU Solid Bottom Bond Beam (U-Block)



MEETS:
 • ASTM C-90



**CROMWELL
CONCRETE
PRODUCTS INC.**
667 Main Street Cromwell CT 06416
(P) 860.635.5146 (F) 860.635.7469

PROJECT

TITLE
**6x8x16 Regular Weight CMU
Solid Bottom Bond Beam (U-Block)**

DESIGN	BGR	12/13/13	FILE No.
CADD	LJH	12/13/13	SCALE 3"=1'-0"
REVIEW			REV. 0
PROJECT No.			

DRAWING: CMU-6x8x16-CONC