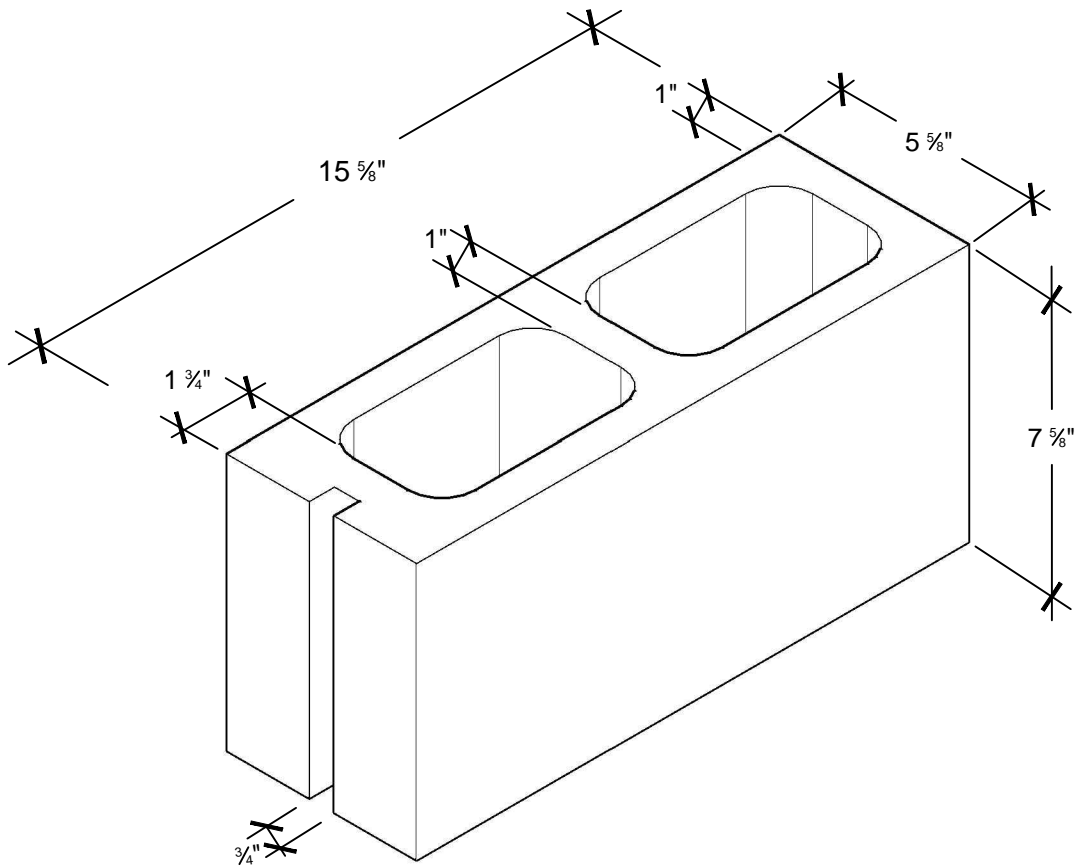


△	11/18/13	XXX	REV_DESC	LJH	WHR	JML
REV	DATE	DES	REVISION DESCRIPTION	CADD	CHK	RVW

# 6x8x16 Regular Weight CMU Sash Block



**MEETS:**

- ASTM C-90



PROJECT

TITLE

**6x8x16 Regular Weight CMU Sash Block**

DESIGN	BGR	01/28/14	FILE No.
CADD	LJH	01/28/14	SCALE 3"=1'-0"
REVIEW	MF	01/29/16	REV. 0

PROJECT No.

**DRAWING: CMU-6x8x16-RW-SASH**