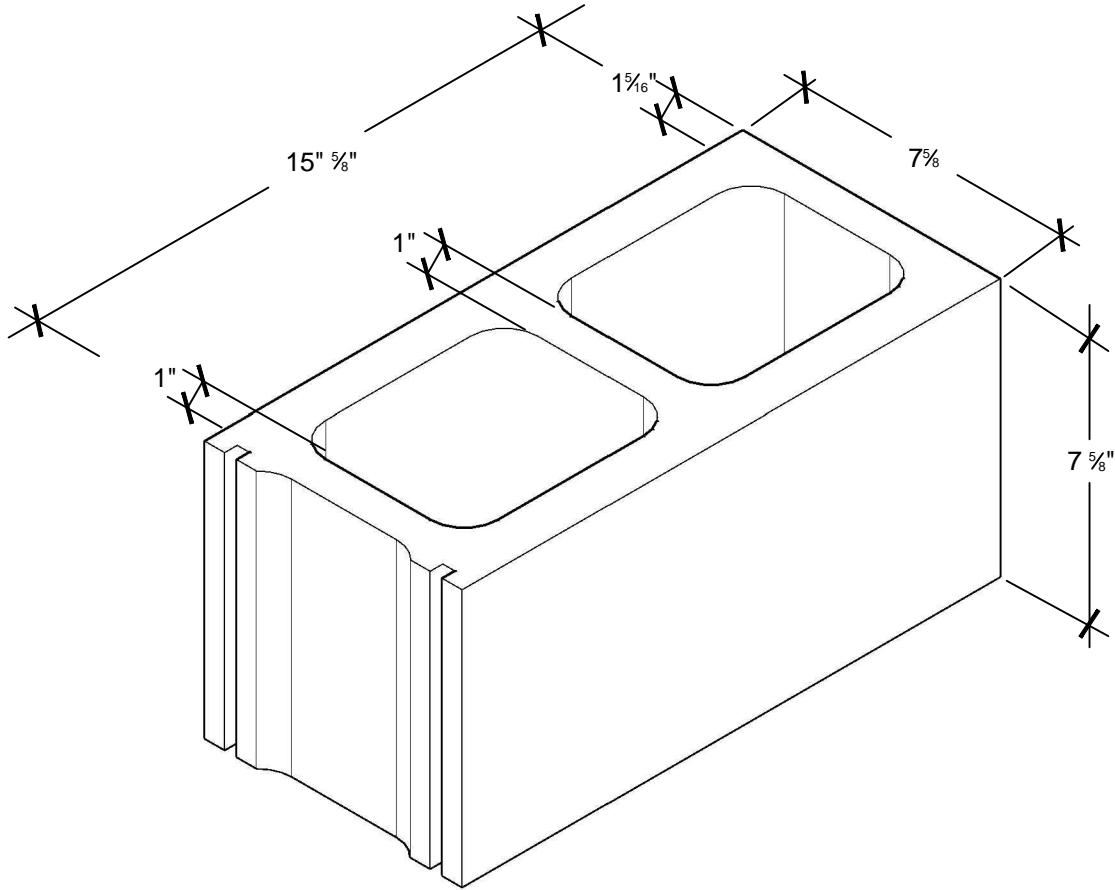


△	11/18/15	XXX	REV_DESC	LJH	MF	JML
REV	DATE	DES	REVISION DESCRIPTION	CADD	CHK	RVW

8"x8"x16" Regular Weight CMU



MEETS:

- ASTM C-90 FOR MASONRY UNITS
- 3000 PSI



PROJECT

TITLE

8x8x16 Regular Weight CMU

DESIGN	BGR	12/17/13	FILE No.
CADD	LJH	12/17/13	SCALE 3"=1'-0"
REVIEW	MF	11/18/15	REV. 0
PROJECT No.			

DRAWING: 8x8x16 CMU