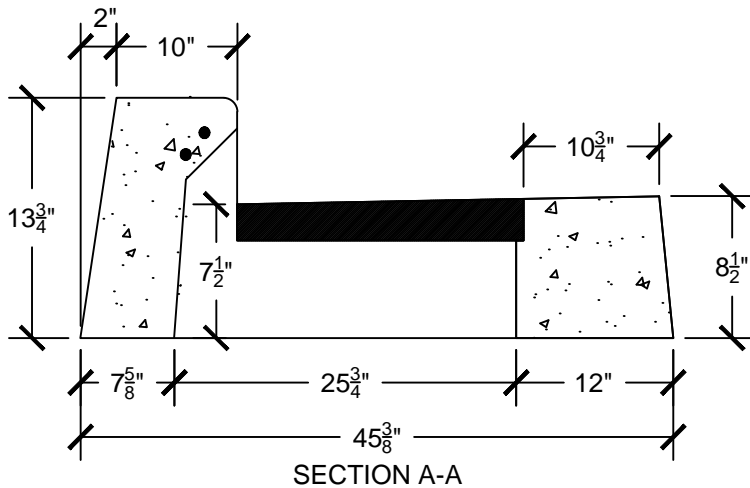
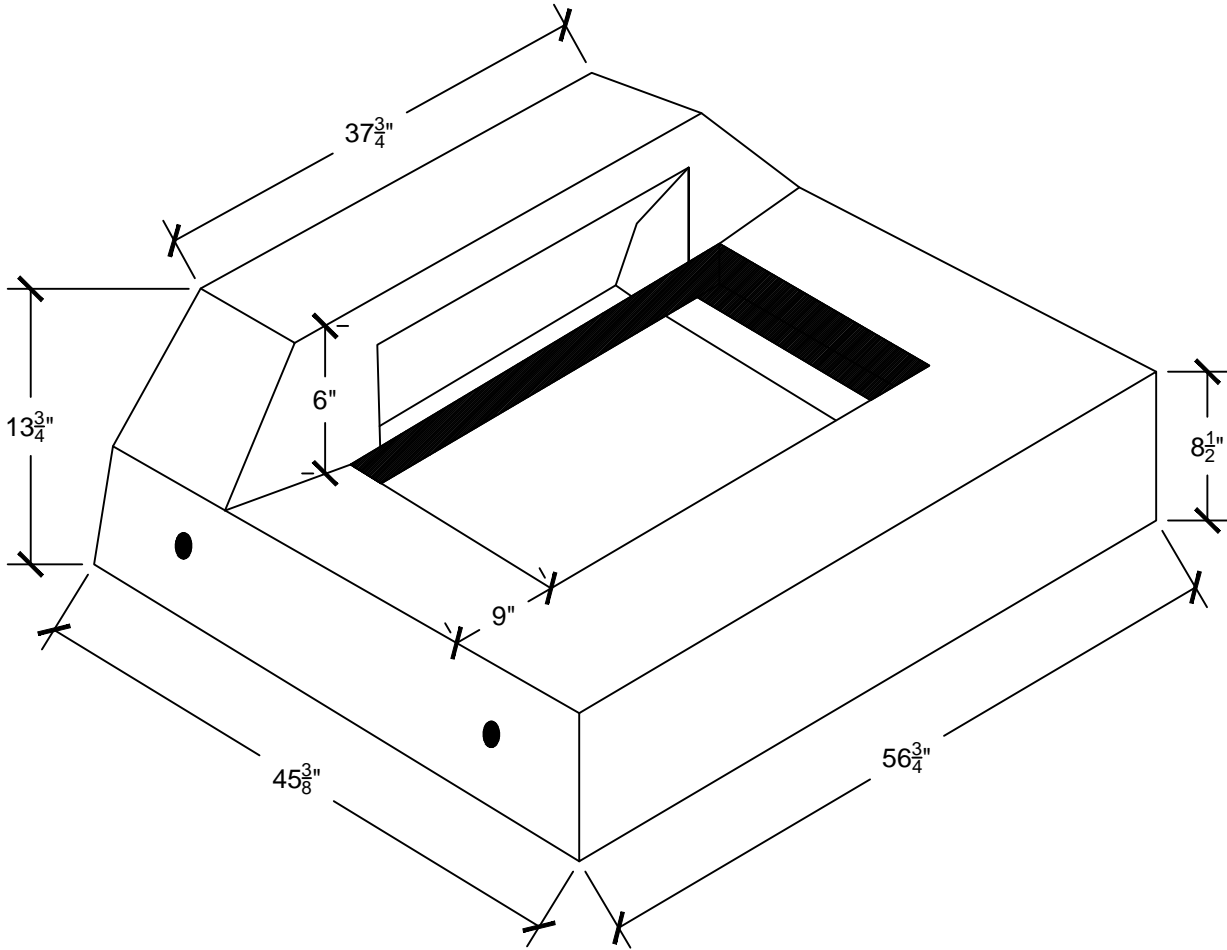


△	04/01/14	XXX	REV_DESC	TLM	WHR	JML
REV	DATE	DES	REVISION DESCRIPTION	CADD	CHK	RWW

WEST HARTFORD SLOPE SHOULDER

CATCH BASIN TOP

PAINTED OR GALVANIZED
CONFORMS TO ASTM C913



SECTION A-A

**CLASS "FSC" SELF-CONSOLIDATING CONCRETE
4,000 PSI**



PROJECT

TITLE

**WEST HARTFORD SLOPE
SHOULDER**

DESIGN	BGR	11/18/13	FILE No.
CADD	TLM	04/02/2014	SCALE AS SHOWN
REVIEW			REV. 0

PROJECT No.

**DRAWING: WEST HARTFORD SLOPE
SHOULDER**