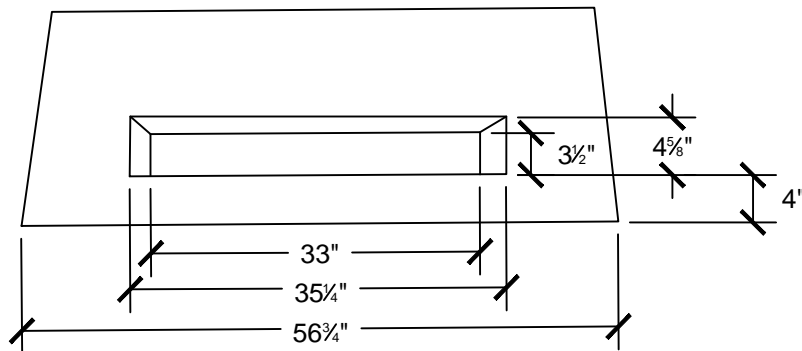
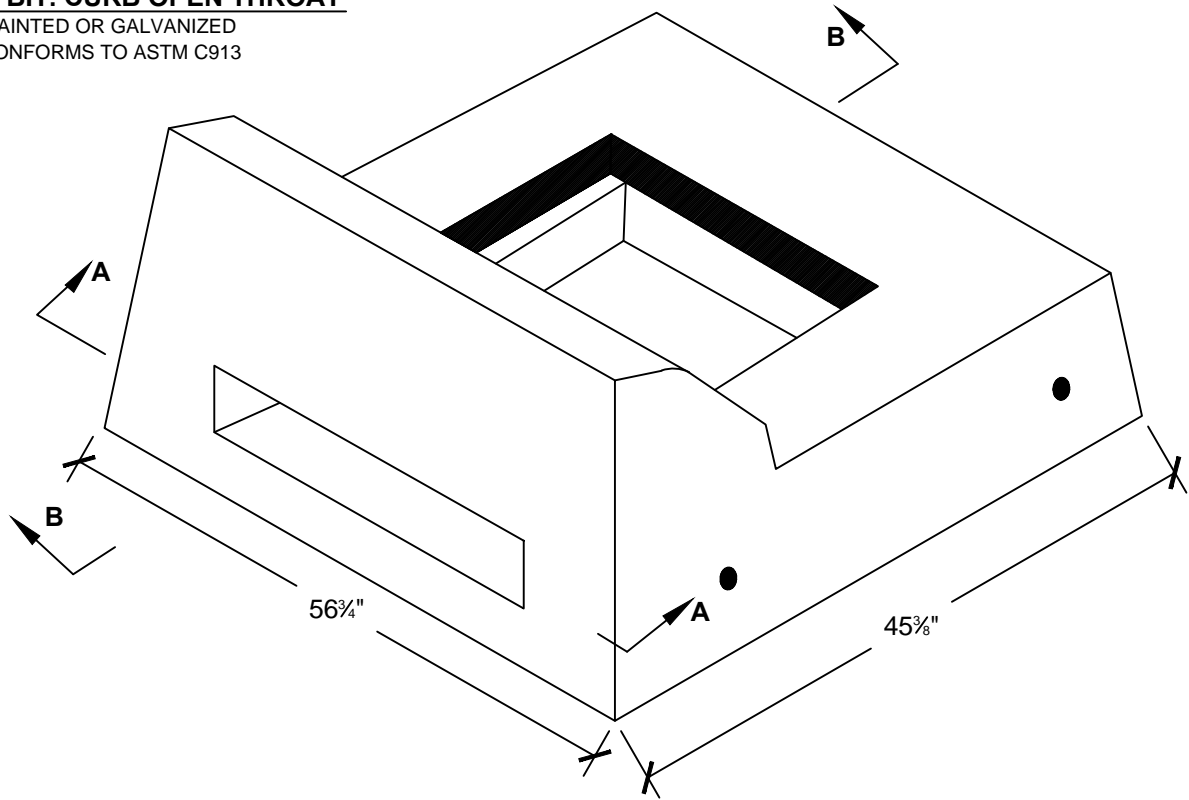


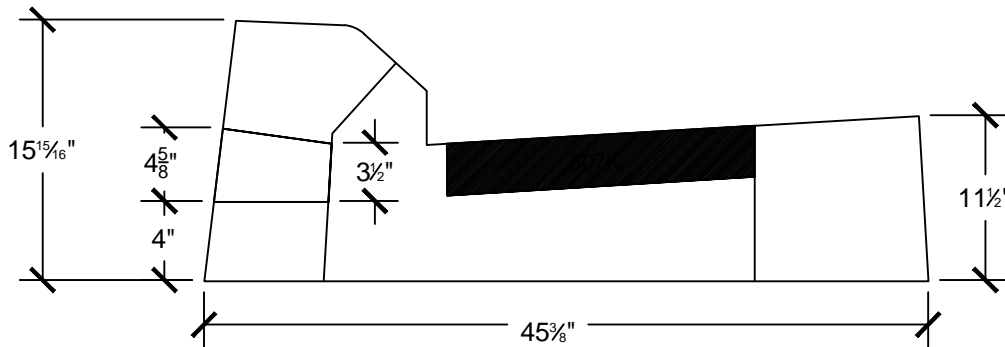
11/18/13	XXX	REV_DESC	LJH	WHR	JML		
REV	DATE	DES	REVISION DESCRIPTION		CADD	CHK	RWW

TYPE "C" BIT. CURB OPEN THROAT

PAINTED OR GALVANIZED
CONFORMS TO ASTM C913



VIEW A-A



VIEW B-B

CLASS "FSC" SELF-CONSOLIDATING CONCRETE
4,000 PSI



PROJECT			
TITLE "C" BIT CURB OPEN THROAT TOP			
DESIGN	BGR	11/18/13	FILE No.
CADD	TLM	03/10/14	SCALE AS SHOWN
REVIEW			REV. 0
PROJECT No.			
DRAWING: C BIT CURB OPEN THROAT			