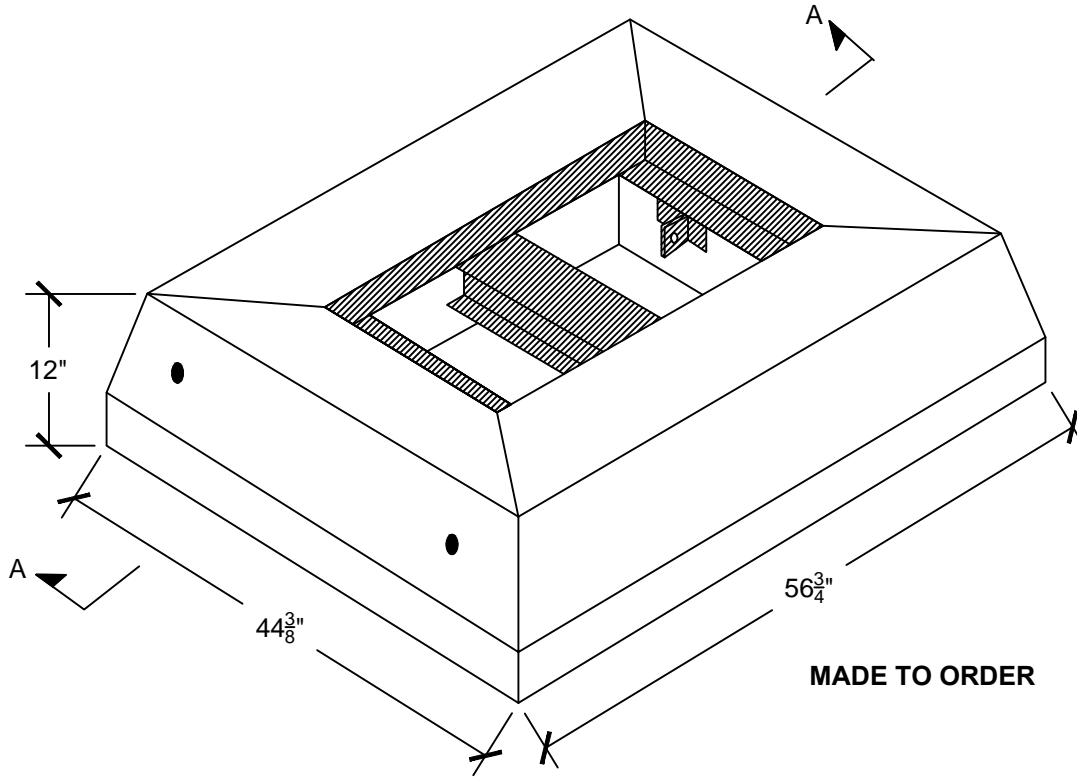


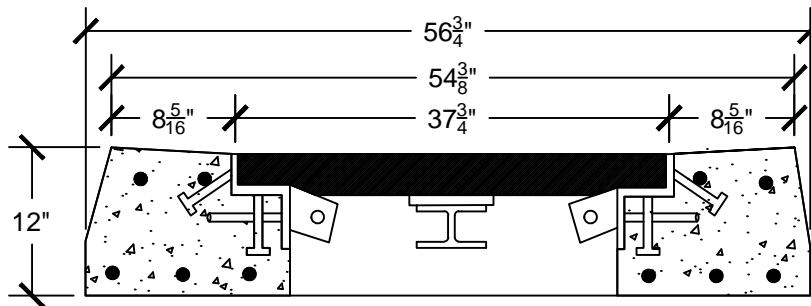
REV	DATE	DES	REV_DESC	TLM	WHR	JML
	04/01/14	XXX				
			REVISION DESCRIPTION	CADD	CHK	RWW

**TYPE "C-L" CATCH BASIN TOP
WITH LOCKING FRAME & GRATE A/B**

PAINTED OR GALVANIZED
CONFORMS TO ASTM C913



MADE TO ORDER



SECTION A-A

**CLASS "FSC" SELF-CONSOLIDATING CONCRETE
4,000 PSI**



PROJECT			
TITLE "CL" HEAVY DUTY LOCKING GRATE			
DESIGN	BGR	11/18/13	FILE No.
CADD	TLM	04/02/2014	SCALE AS SHOWN
REVIEW			REV. 0
PROJECT No.			
DRAWING: CL LOCKING GRATE			