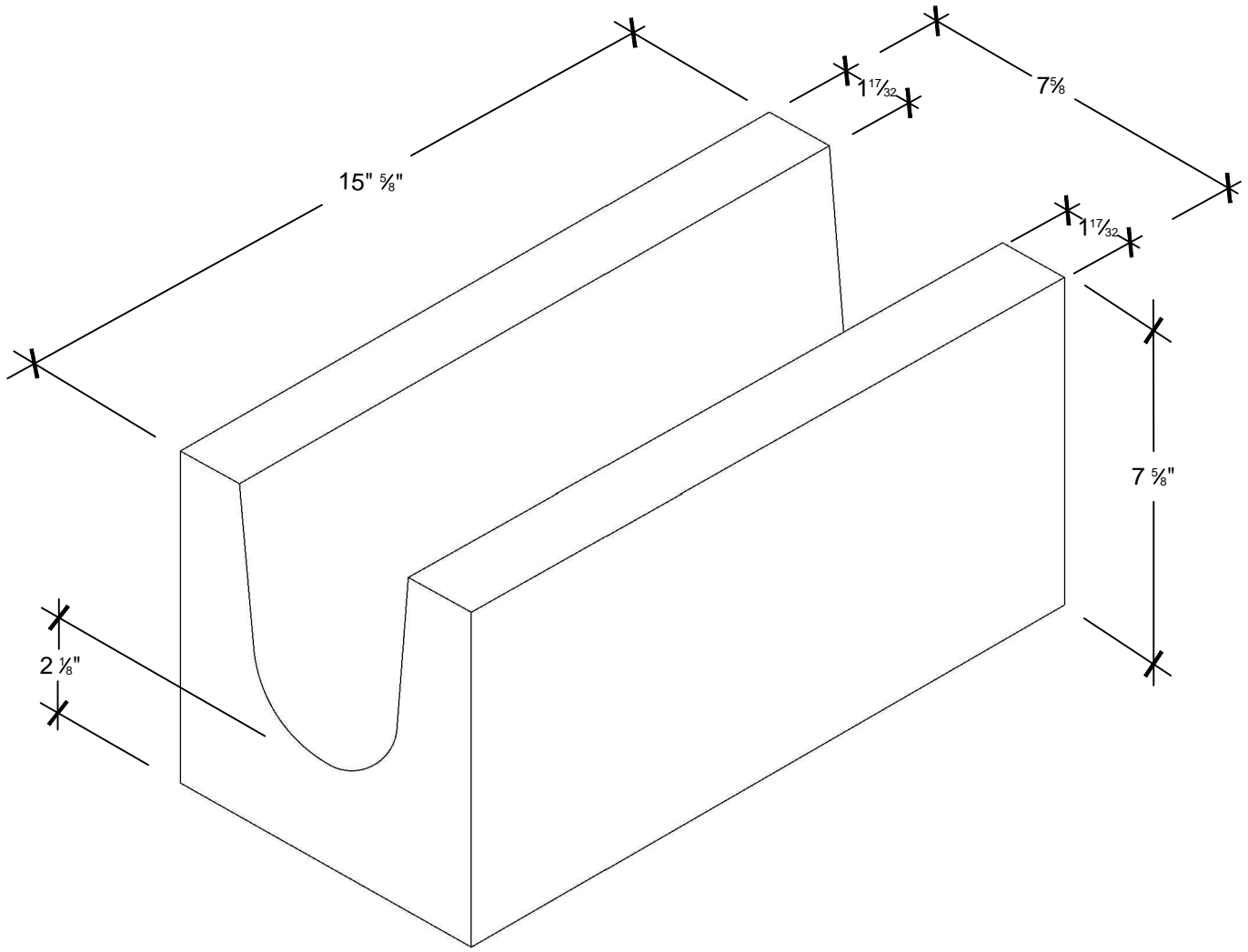



△	11/18/13	XXX	REV_DESC	LJH	WHR	JML
REV	DATE	DES	REVISION DESCRIPTION	CADD	CHK	RVW

# 8"x8"x16" Regular Weight CMU Solid Bottom Bond Beam (U-Block)



**MEETS:**  
 • ASTM C-90



**CROMWELL  
CONCRETE  
PRODUCTS INC.**  
667 Main Street Cromwell CT 06416  
(P) 860.635.5146 (F) 860.635.7469

PROJECT

TITLE  
**8x8x16 Regular Weight CMU  
Solid Bottom Bond Beam (U-Block)**

DESIGN	BGR	1/28/14	FILE No.
CADD	LJH	1/28/14	SCALE 3"=1'-0"
REVIEW			REV. 0
PROJECT No.			

**DRAWING: CMU-8x8x16-CONC**