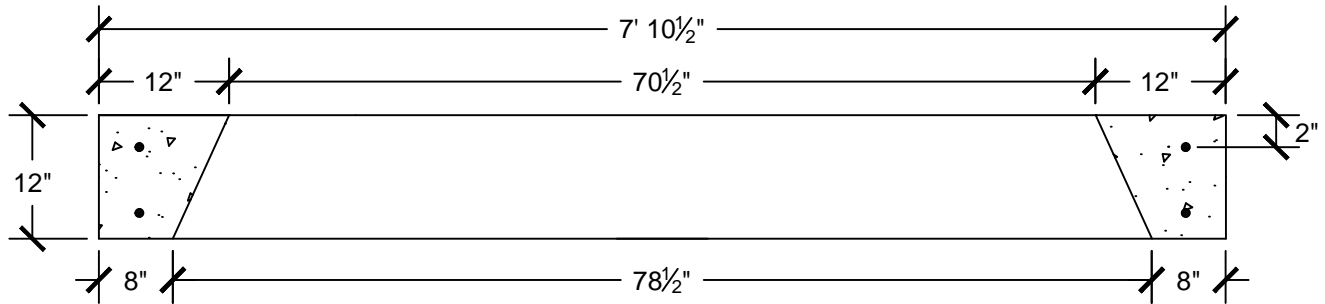
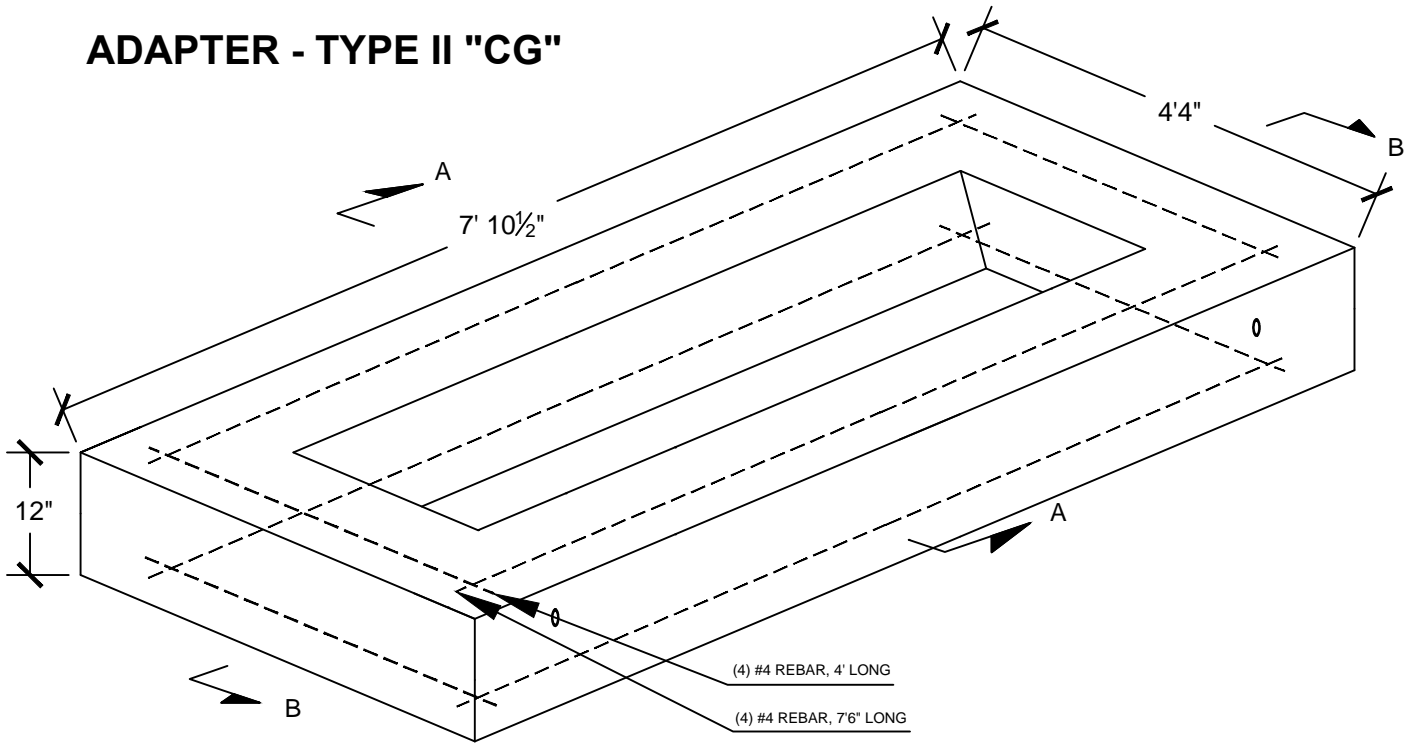
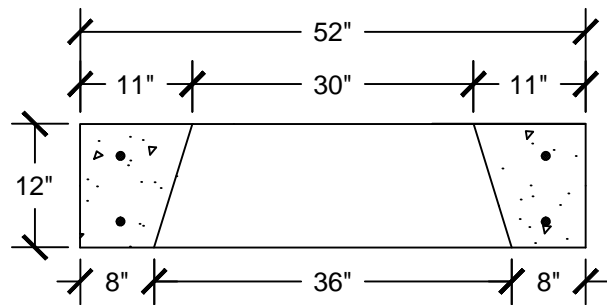


04/05/16	XXX	REV_DESC	MF	WHR	MW
REV	DATE	DES	CADD	CHK	RW
		REVISION DESCRIPTION			

# ADAPTER - TYPE II "CG"



SECTION B-B



SECTION A-A

CLASS "FSC" CONCRETE  
4,000 PSI



PROJECT			
TITLE <b>TYPE 1 ADAPTER "CG"</b>			
DESIGN	BGR	04/05/16	FILE No.
CADD	MF	04/05/16	SCALE AS SHOWN
REVIEW	MW	04/05/16	REV. 0
PROJECT No.			

DWG: T1 ADAPTER "CG"