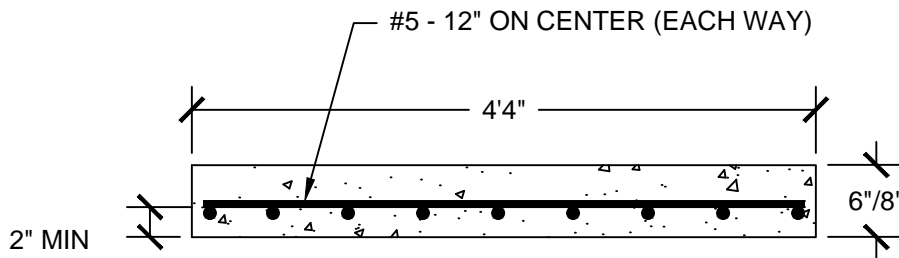
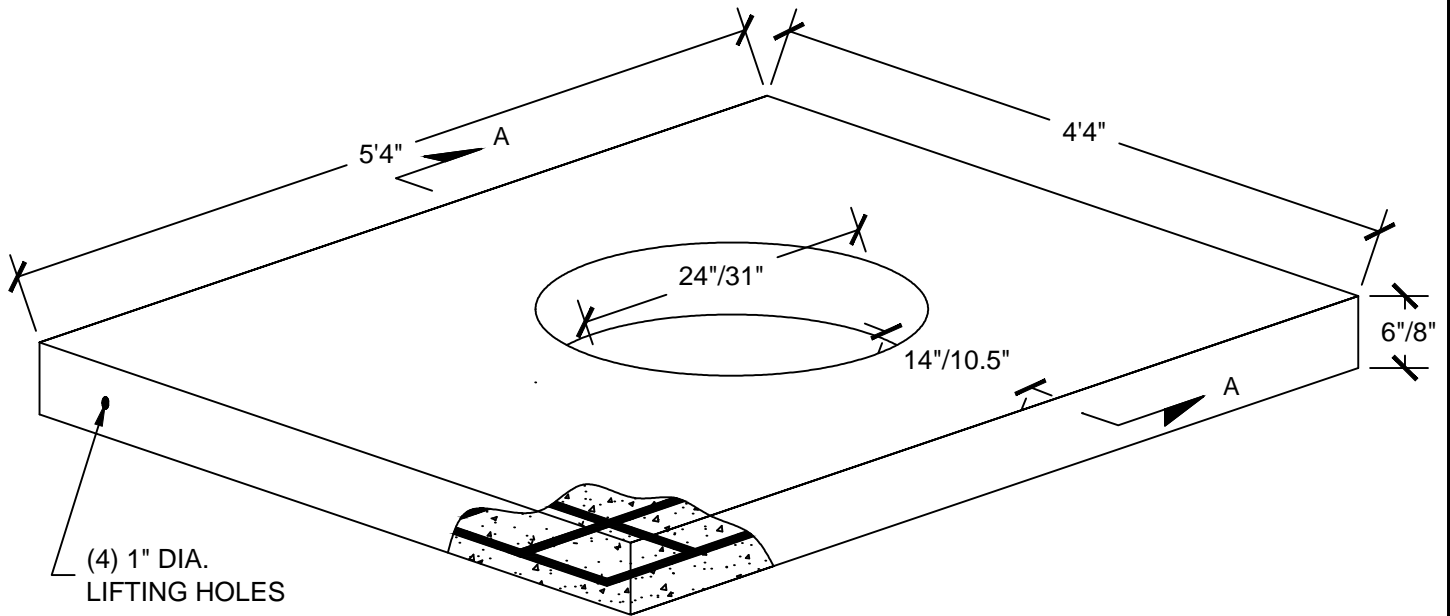



△	01/22/16	XXX	REV_DESC	MF	WHR	JML
REV	DATE	DES	REVISION DESCRIPTION	CADD	CHK	RW

CONVERSION SLAB
24"/ 31" DIAMETER
(1434 LBS.)



SECTION A-A

CLASS "FSC" SELF-CONSOLIDATING CONCRETE
4,000 PSI



CROMWELL CONCRETE PRODUCTS INC.
667 Main Street Cromwell CT 06416
(P) 860.635.5146 (F) 860.635.7469

PROJECT					
TITLE					
CONVERSION SLAB					
DESIGN	BGR	01/22/16	FILE No.		
CADD	MF	01/22/16	SCALE	AS SHOWN	
REVIEW	JML	01/22/16	REV.	0	
PROJECT No.					
DRAWING: CONVERSION SLAB					