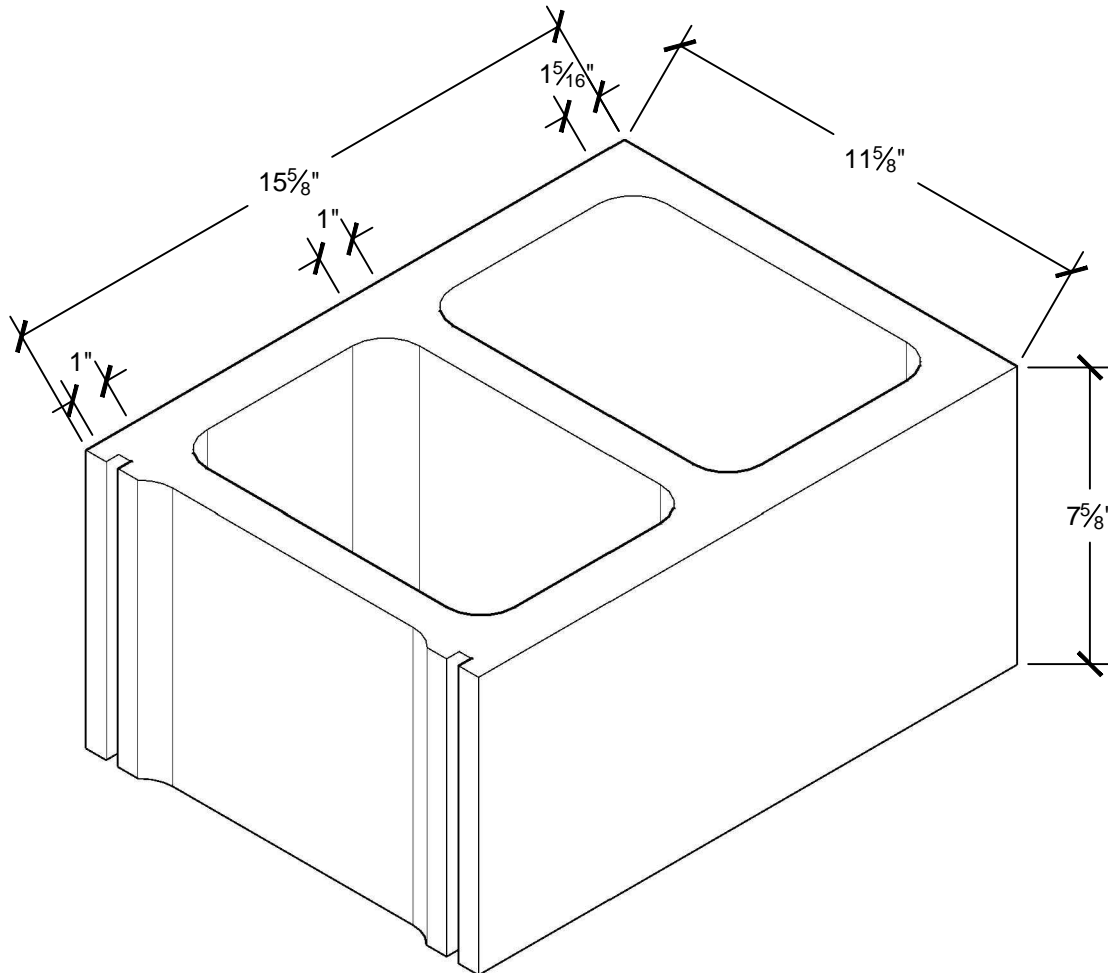


△	11/18/13	XXX	REV_DESC	LJH	WHR	JML
REV	DATE	DES	REVISION DESCRIPTION	CADD	CHK	RVW

12"x8"x16" Regular Weight CMU



MEETS:

- ASTM C-90 FOR MASONRY UNITS



PROJECT

TITLE

12x8x16 Regular Weight CMU

DESIGN	BGR	01/30/14	FILE No.
CADD	LJH	01/30/14	SCALE 3"=1'-0"
REVIEW	MF	02/01/16	REV. 0

PROJECT No.

DRAWING: CMU-12x8x16-CONC