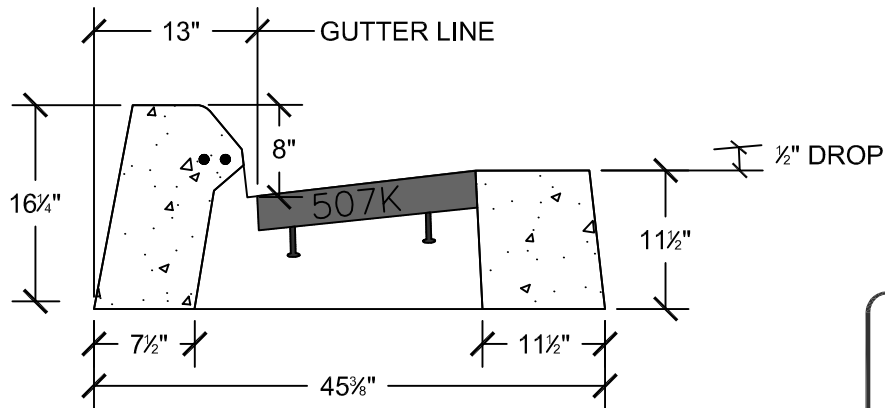
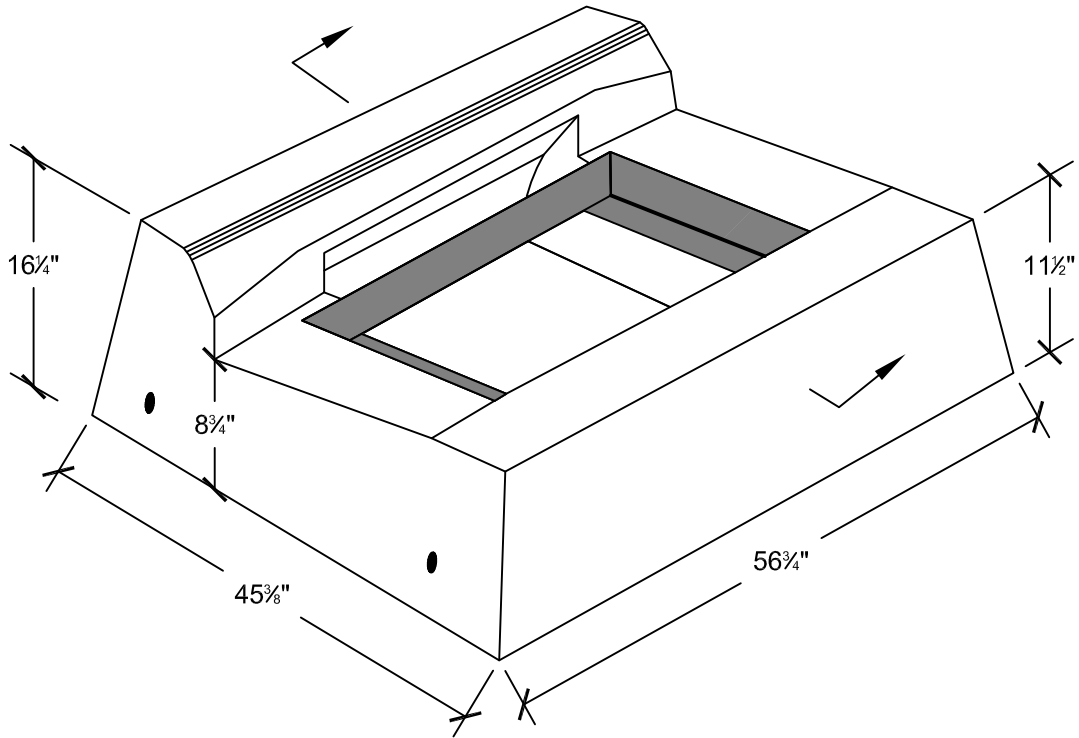


11/18/13	XXX		REV_DESC	LJH	WHR	JML
REV	DATE	DES	REVISION DESCRIPTION	CADD	CHK	RWV

TYPE "C" BIT. CURB
 PAINTED OR GALVANIZED
 CONFORMS TO ASTM C913



CLASS "F" SELF-CONSOLIDATING CONCRETE
4,000 PSI



PROJECT			
TITLE			
"C" BIT CURB TOP			
DESIGN	BGR	11/18/13	FILE No.
CADD	LJH	11/18/13	SCALE AS SHOWN
REVIEW			REV. 0
PROJECT No.			
DRAWING: C BIT CURB			