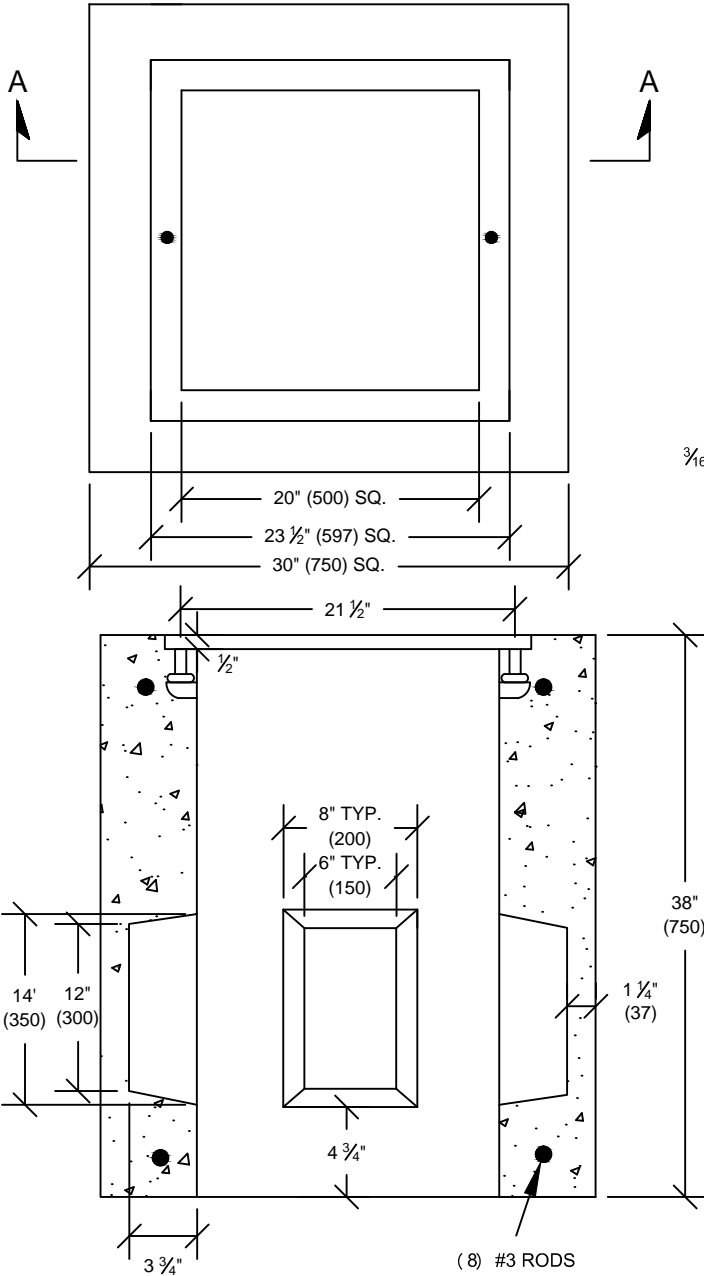


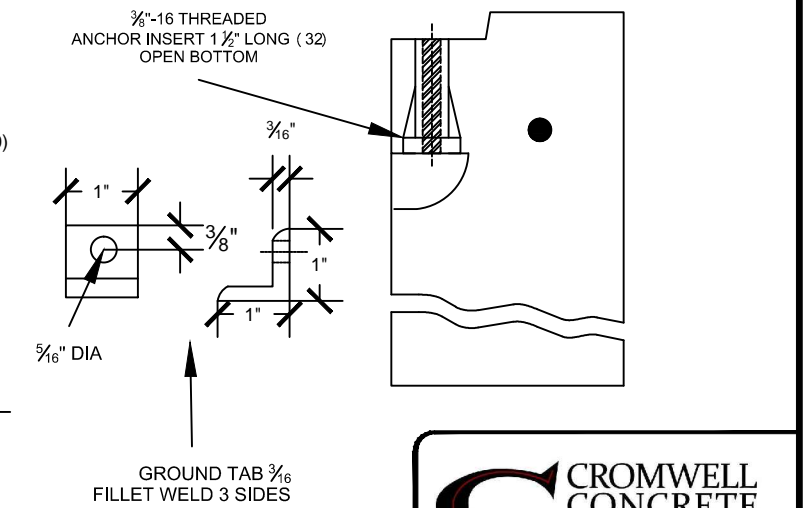
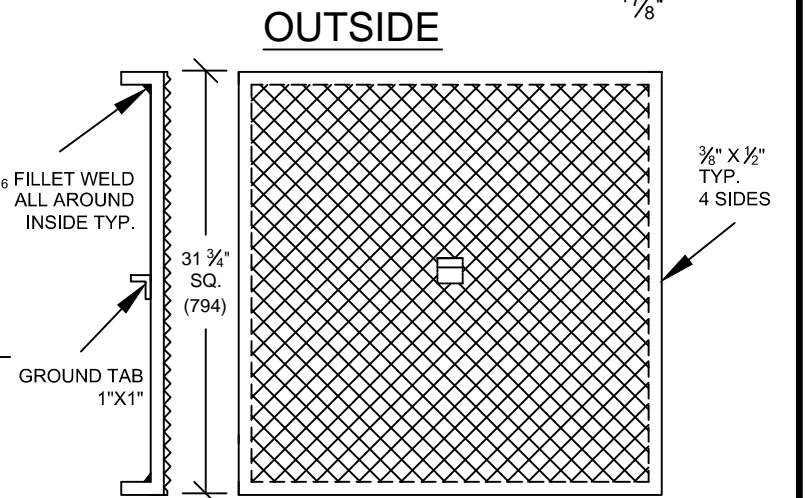
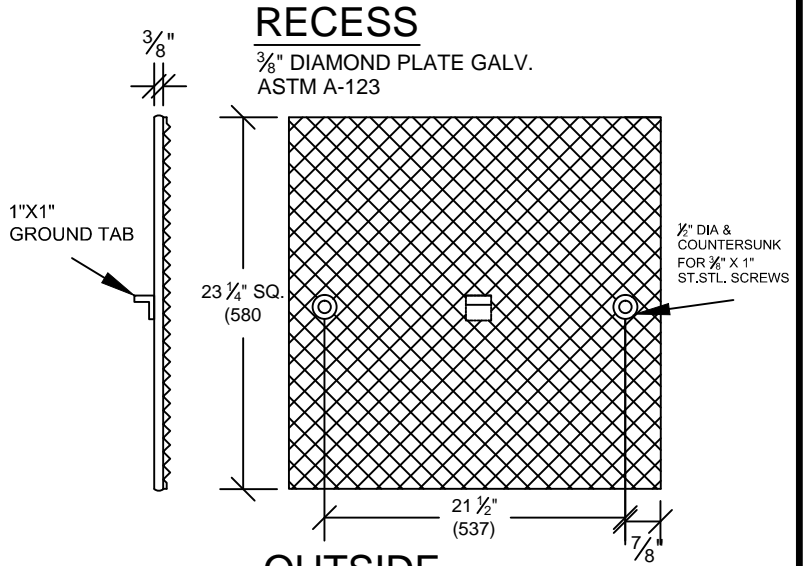
| | | | | | |
|----------------------|------|----------|------|-----|-----|
| 11/18/13 | XXX | REV_DESC | LJH | WHR | JML |
| REV | DATE | DES | CADD | CHK | RWW |
| REVISION DESCRIPTION | | | | | |


TYPE I HANDHOLE NO LETTERS NO CHAMFER



SECTION A-A

**CLASS "FSC" SELF-CONSOLIDATING CONCRETE
4,000 PSI**





PROJECT

TITLE
**TYPE I HANDHOLE
NO LETTERS NO CHAMFER**

| | | | |
|-------------|-----|----------|----------------|
| DESIGN | BGR | 11/18/13 | FILE No. |
| CADD | LJH | 11/18/13 | SCALE AS SHOWN |
| REVIEW | MF | 11/19/15 | REV. 0 |
| PROJECT No. | | | |

DRAWING: TYPE I HANDHOLE