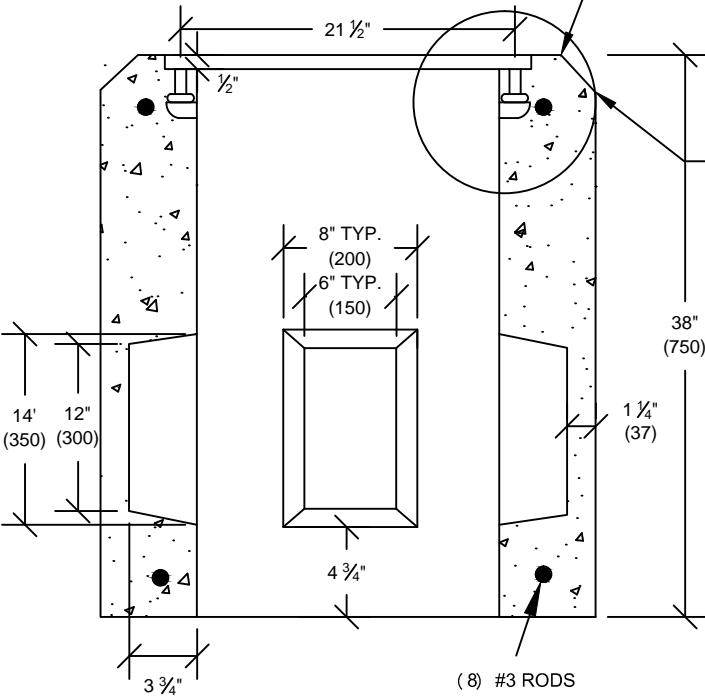
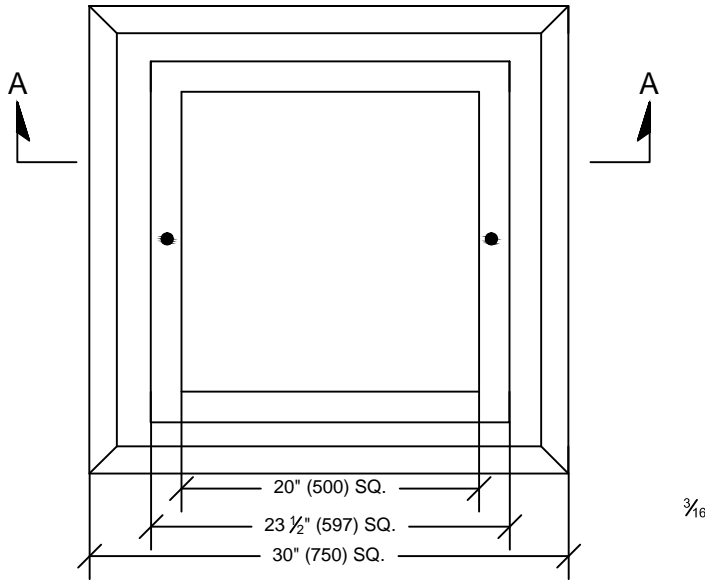


11/18/13	XXX	REV_DESC	LJH	WHR	JML
REV	DATE	DES	CADD	CHK	RWW
REVISION DESCRIPTION					

TYPE I HANDHOLE NO LETTERS WITH CHAMFER

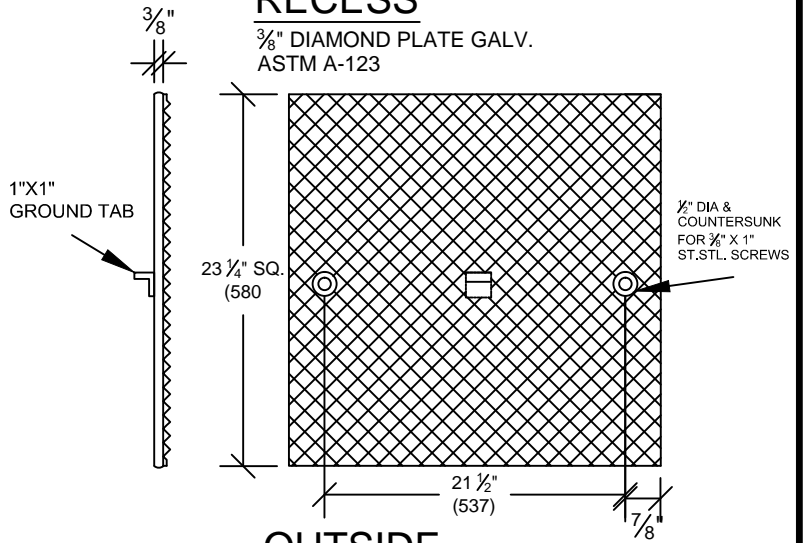


SECTION A-A

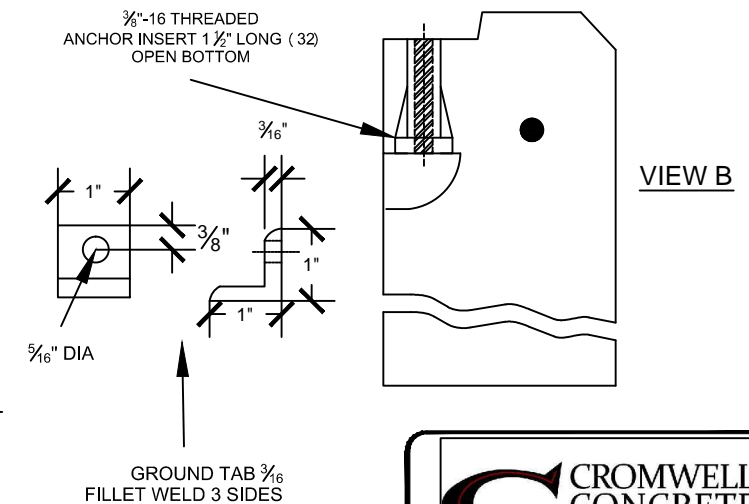
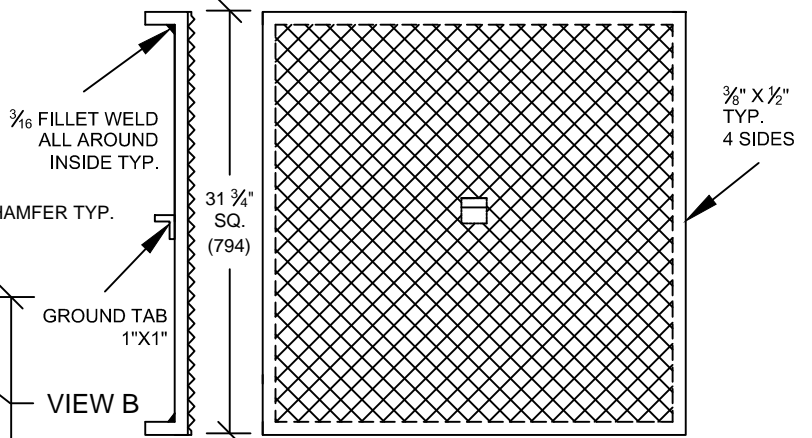
**CLASS "FSC" SELF-CONSOLIDATING CONCRETE
4,000 PSI**

RECESS

3/8" DIAMOND PLATE GALV.
ASTM A-123



OUTSIDE



PROJECT			
TITLE TYPE I HANDHOLE NO LETTERS WITH CHAMFER			
DESIGN	BGR	11/18/13	FILE No.
CADD	LJH	11/18/13	SCALE AS SHOWN
REVIEW	MF	11/19/15	REV. 0
PROJECT No.			
DRAWING: TYPE I HANDHOLE			