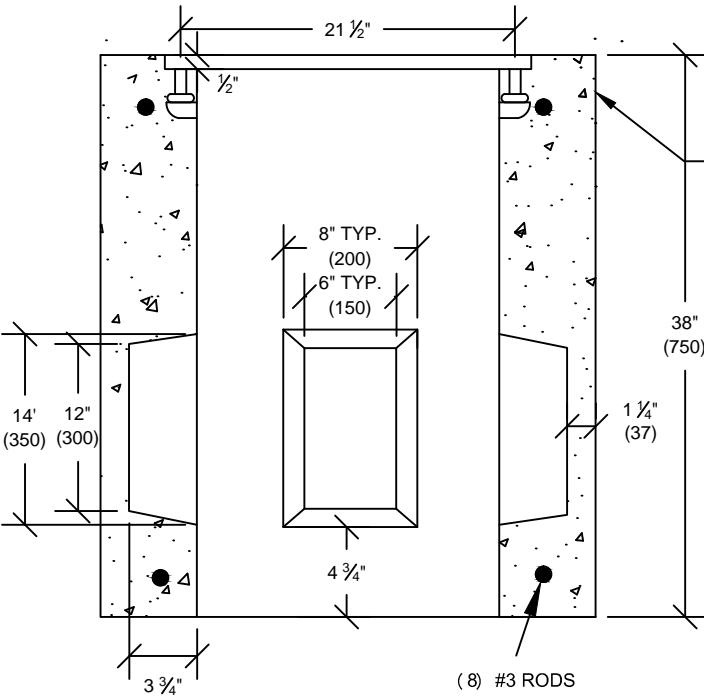
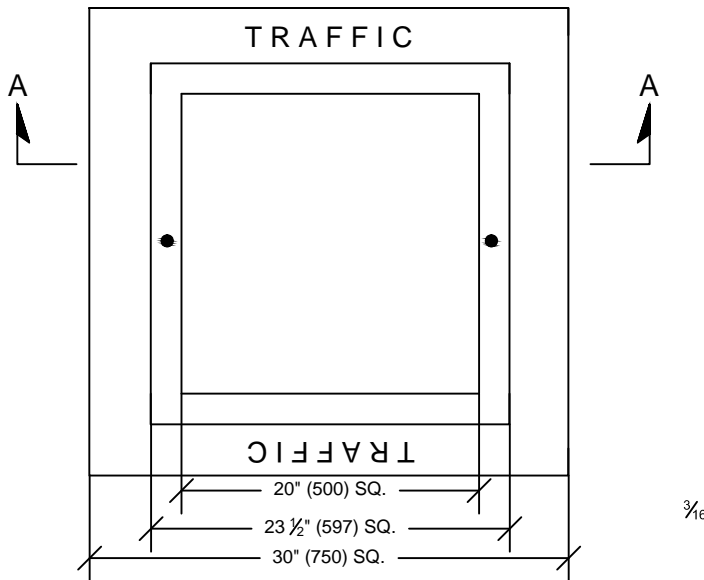


REV	DATE	DES	REV_DESC	LJH	WHR	JML
	11/18/13	XXX				
			REVISION DESCRIPTION	CADD	CHK	RWW

# TYPE I HANDHOLE WITH LETTERS NO CHAMFER

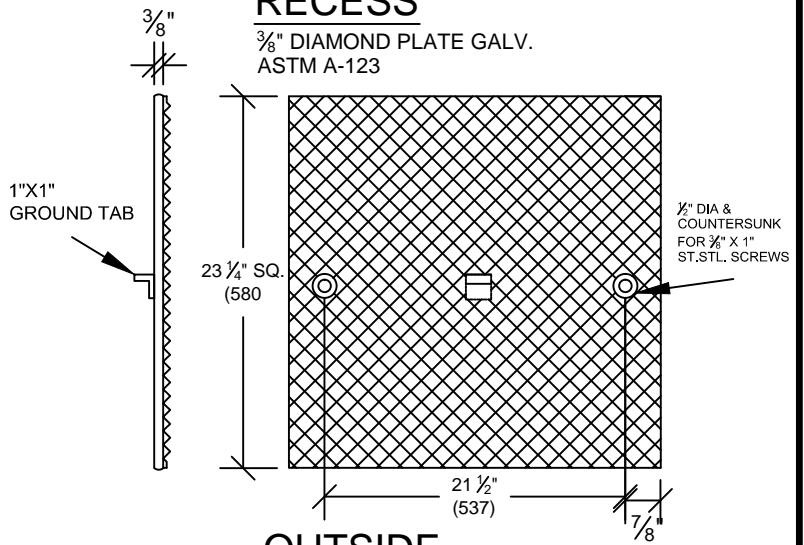


**SECTION A-A**

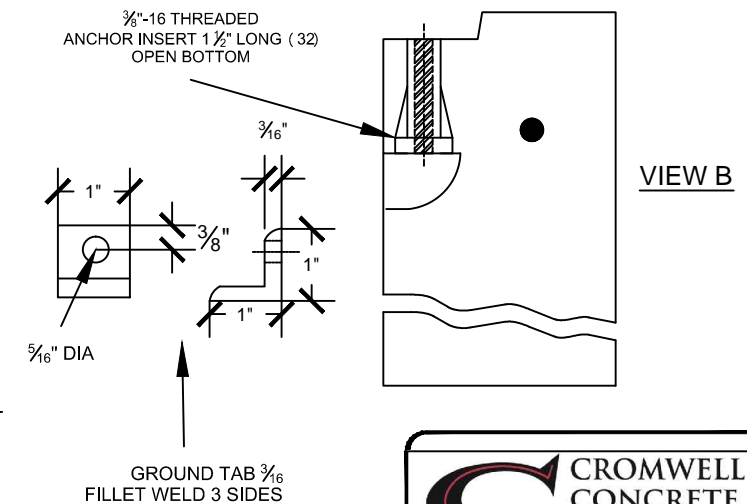
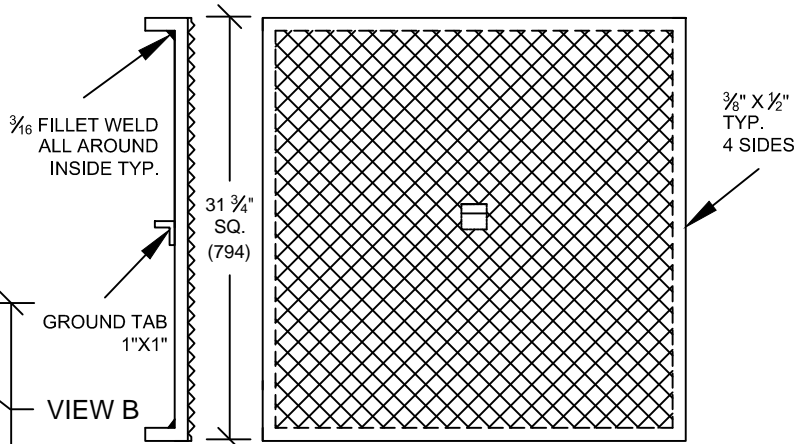
**CLASS "FSC" SELF-CONSOLIDATING CONCRETE  
4,000 PSI**

## RECESS

3/8" DIAMOND PLATE GALV.  
ASTM A-123



## OUTSIDE



PROJECT			
TITLE <b>TYPE I HANDHOLE WITH LETTERS NO CHAMFER</b>			
DESIGN	BGR	11/18/13	FILE No.
CADD	LJH	11/18/13	SCALE AS SHOWN
REVIEW	MF	11/19/15	REV. 0
PROJECT No.			
<b>DRAWING: TYPE I HANDHOLE</b>			