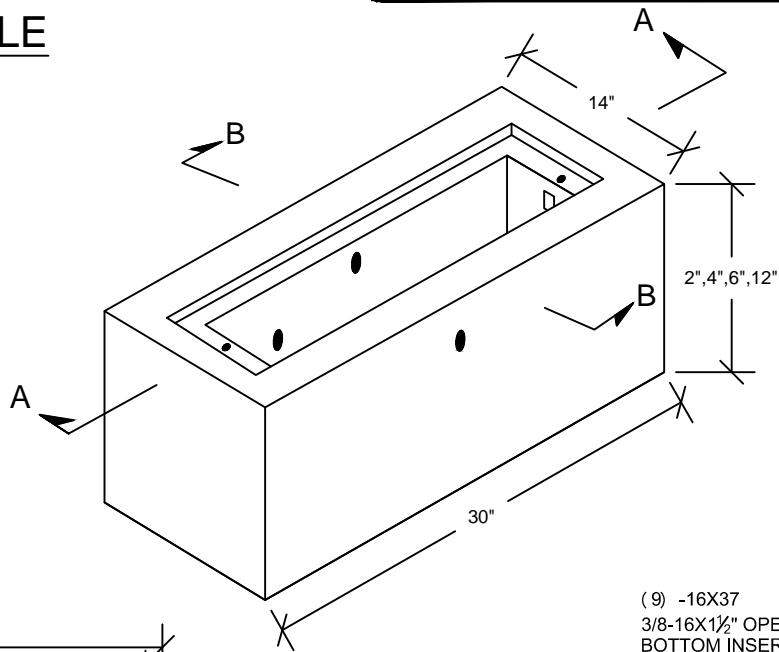
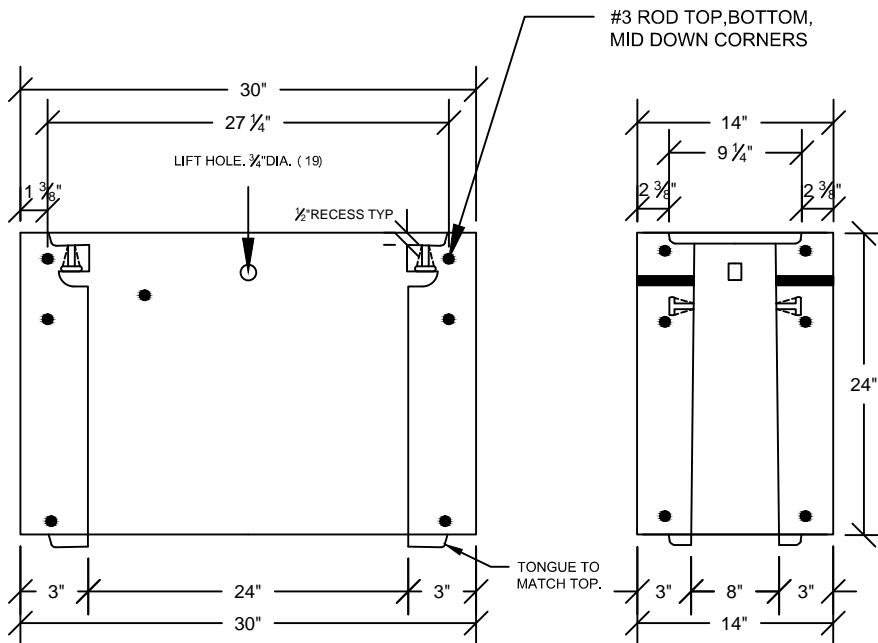
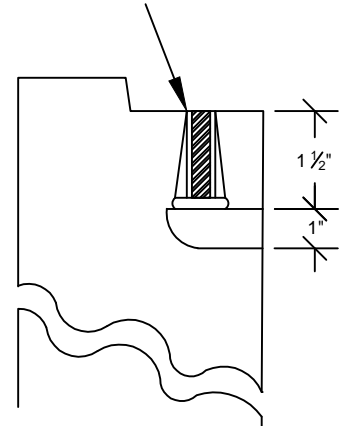
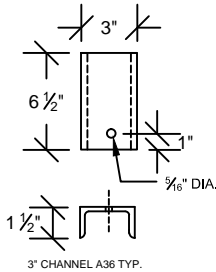
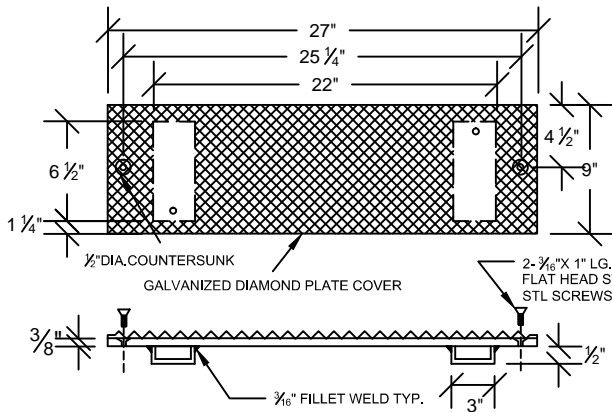


03/03/16	XXX	REV_DESC	MF	WHR	JML
REV	DATE	DES	CADD	CHK	RWW
REVISION DESCRIPTION					

# TYPE II HANDHOLE EXTENSION




(9) -16X37  
 3/8-16X1 1/2" OPEN  
 BOTTOM INSERT  
 CLEANOUT-3/4" WIDE X 1" HIGH



**SECTION A-A**

**SECTION B-B**

**CLASS "FSC" CONCRETE  
 4,000 PSI**



**CROMWELL  
 CONCRETE  
 PRODUCTS INC.**

PROJECT

TITLE  
**TYPE II HANDHOLE EXTENSION**

DESIGN	BGR	11/18/13	FILE No.
CADD	LJH	11/18/13	SCALE AS SHOWN
REVIEW	MF	03/03/16	REV. 1 MF
PROJECT No.			

**DRAWING: TYPE II HH EXT.**