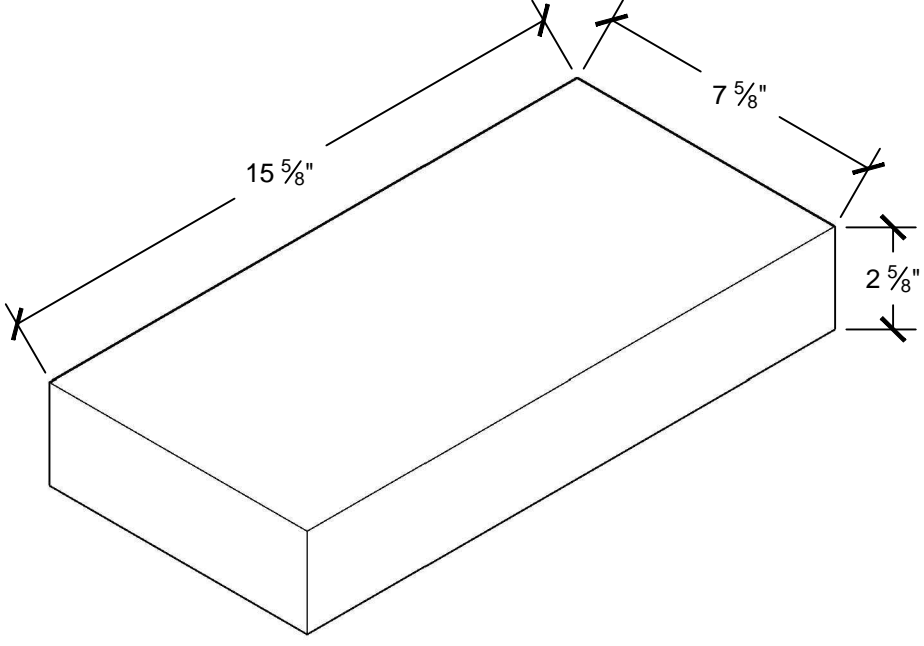



| | | | | | | | | | |
|-----|----------|-----|--|----------------------|--|------|-----|-----|--|
| | | | | | | | | | |
| | 01/28/16 | XXX | | REV_DESC | | MF | WHR | JML | |
| REV | DATE | DES | | REVISION DESCRIPTION | | CADD | CHK | RVW | |

3"x8"x16" Ballast Block CMU



NOTES:

- WEIGHT:**
-25 lbs/ea.
- COMPRESSIVE STRENGTH, MIN P.S.I. (AVG. GROSS AREA)**
-AVG. OF 3 UNITS: 2500
-INDIVIDUAL UNITS: 2500
- WATER ABSORPTION MAX (LB/FT³)**
-AVG OF 3 UNITS: 10%
- NO DIMENSION SHALL VARY MORE THAN 3 PERCENT OVER OR UNDER THE SPECIFIED DIMENSION FOR ANY FORM OF UNIT
- ASTM C-139-05 EXCEPT THAT THE UNITS SHALL CONFORM TO THE DETAILS SHOWN HEREON AND THAT THEIR THICKNESS SHALL NOT BE LESS THAN 5"

| | | | |
|---|-----|----------|----------------|
|  | | | |
| PROJECT | | | |
| TITLE | | | |
| 3x8x16 BALLAST BLOCK | | | |
| DESIGN | BGR | 01/28/16 | FILE No. |
| CADD | MF | 01/28/16 | SCALE 3"=1'-0" |
| REVIEW | MW | 01/28/16 | REV. 0 |
| PROJECT No. | | | |
| DRAWING: 3x8x16-S-BALLAST | | | |