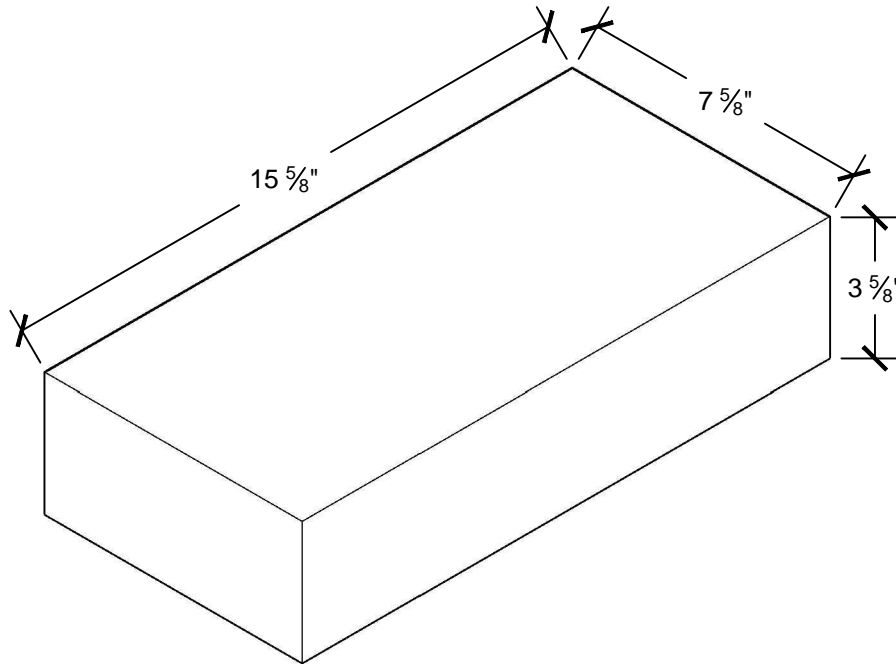



△	05/06/16	XXX	REV_DESC	MF	WHR	MW
REV	DATE	DES	REVISION DESCRIPTION	CADD	CHK	RVW

4"x8"x16" Ballast Block



NOTES:

- **WEIGHT:**
-34 lbs/ea.
- **COMPRESSIVE STRENGTH, MIN P.S.I. (AVG. GROSS AREA)**
-AVG. OF 3 UNITS: 4500
-INDIVIDUAL UNITS: 4500
- **WATER ABSORPTION MAX (LB/FT³)**
-AVG OF 3 UNITS: 10%
- DRY CAST BLOCK WITH 3/8" AGGREGATE
- NO DIMENSION SHALL VARY MORE THAN 3 PERCENT OVER OR UNDER THE SPECIFIED DIMENSION FOR ANY FORM OF UNIT
- ASTM C-139-05 EXCEPT THAT THE UNITS SHALL CONFORM TO THE DETAILS SHOWN HEREON AND THAT THEIR THICKNESS SHALL NOT BE LESS THAN 5"

			
PROJECT			
TITLE			
4x8x16 BALLAST BLOCK			
DESIGN	BGR	05/06/16	FILE No.
CADD	MF	05/06/16	SCALE 3"=1'-0"
REVIEW	MW	05/06/16	REV.
PROJECT No.			
DRAWING: 4x8x16 BALLAST			