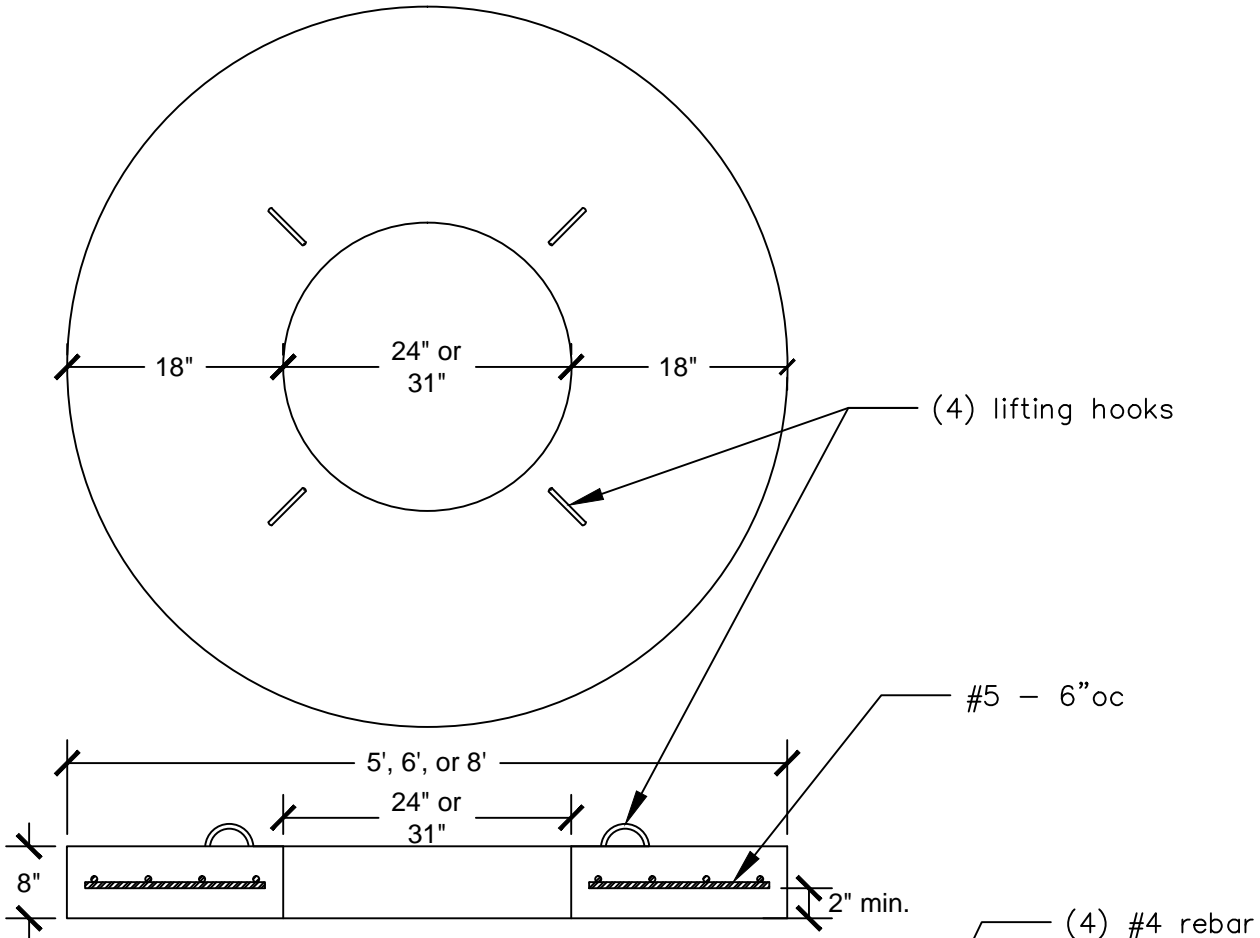


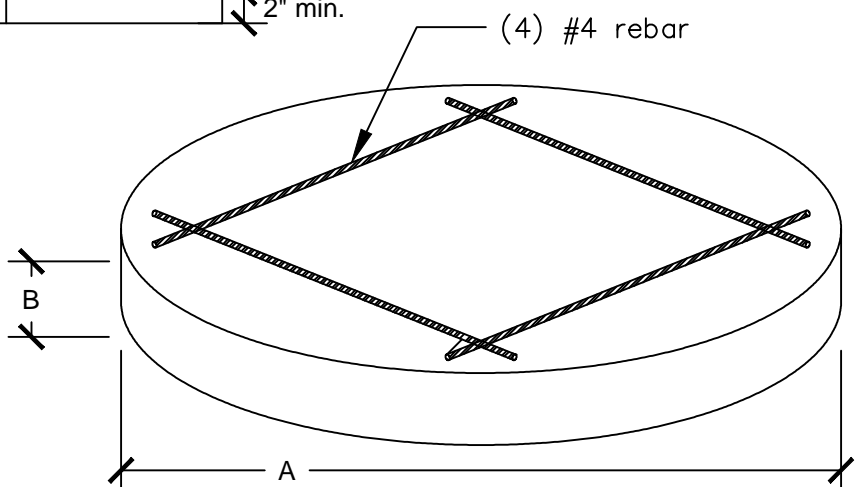
MANHOLE SLAB

REV	05/23/16	TWN	REV_DESC	MF	BGR	JML
DATE		DES	REVISION DESCRIPTION	CADD	CHK	RWW




24" or 31" hole can be centered or offset

A	B
6' DIA	6" THICK
6' DIA	8" THICK
8' DIA	6" THICK
8' DIA	8" THICK



**CLASS "FSC" CONCRETE
4,000 PSI**



**CROMWELL
CONCRETE
PRODUCTS INC.**

PROJECT

TITLE

MANHOLE SLAB

DESIGN	BGR	07/05/16	FILE No.
CADD	MF	07/05/16	SCALE AS SHOWN
REVIEW	JML	07/05/16	REV. 0
PROJECT No.			

DRAWING: MANHOLE SLAB